

# OPERATOR'S SAFETY AND SERVICE MANUAL



## R440

This manual covers the following serial numbers  
and higher for each model listed:

440H.....4400004



## SMART RAMMER

**MBW, Inc.**  
250 Hartford Rd • PO Box 440  
Slinger, WI 53086-0440  
Phone: (262) 644-5234  
Fax: (262) 644-5169  
Email: [mbw@mbw.com](mailto:mbw@mbw.com)  
Website: [www.mbw.com](http://www.mbw.com)

**MBW (UK) Ltd.**  
Units 2&3 Cochrane Street  
Bolton BL3 6BN  
Phone: 01204 387784  
Fax: 01204 387797

L18428 / 04.08.G  
©MBW, Inc. 2008  
Printed in the USA

**CAUTION**

Read the Operating Instructions before operating this piece of equipment.

Keep unauthorized and untrained people away from this equipment.

**ROTATING & MOVING PARTS!**  
Make sure all guards and safety devices are in place.

Wear approved hearing protection, foot protection, eye protection and head protection.

**SHUT OFF** the motor before servicing or cleaning.

**DO NOT RUN** in an enclosed area. The engine produces carbon monoxide, a **POISONOUS GAS**.

Failure to comply could result in serious bodily injury.

13483

**UNLEADED GASOLINE**

14781



**OPERATING INSTRUCTIONS**

1. Check fuel level.
2. Open fuel valve.
3. Set throttle at idle position.
4. Choke engine. A warm engine may not need to be choked.
5. Pull starter rope.
6. After starting, open choke gradually and let engine warm up at idle.
7. To start compacting: open throttle fully.
8. To stop: return throttle to idle and allow engine to run for a few minutes before turning off.
9. Turn engine switch to off and close fuel valve.

14773

**CAUTION**

Machine is top heavy and could fall if not lifted from this bar.

420 =	# 119 (54kg)
440/270/450 =	# 143 (65kg)
460/470/480 =	# 160 (73kg)

14769

**THROTTLE**

↑ RUN  
↓ IDLE

14770

**AIR CLEANER INSTRUCTIONS**

CLEAN ELEMENT DAILY. MORE OFTEN UNDER DUSTY CONDITIONS. TAP ELEMENT LIGHTLY ON A FLAT SURFACE - IF DUST DOES NOT DROP OFF EASILY OR IF ELEMENT IS BENT OR CRUSHED.....

REPLACE IT!

WARNING: DO NOT OPERATE ENGINE WITHOUT AIR CLEANER ELEMENT - INTERNAL DAMAGE WILL RESULT!

06079



01064

**DANGER PELIGRO**

Compressed spring could cause severe injury. See manual for disassembly instructions.

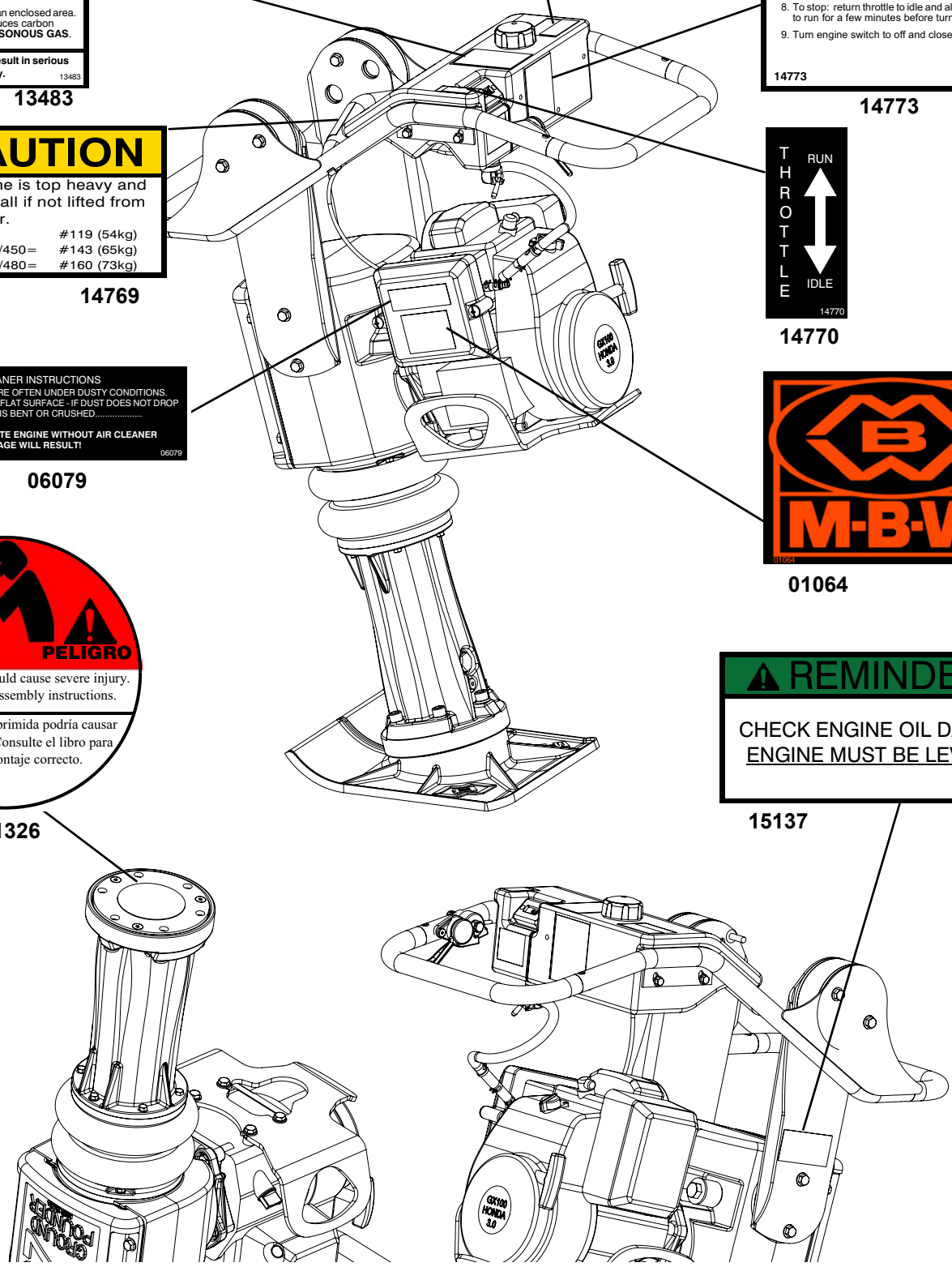
La primavera comprimida podría causar la herida severa. Consulte el libro para ver el desmontaje correcto.

01326

**REMINDER**

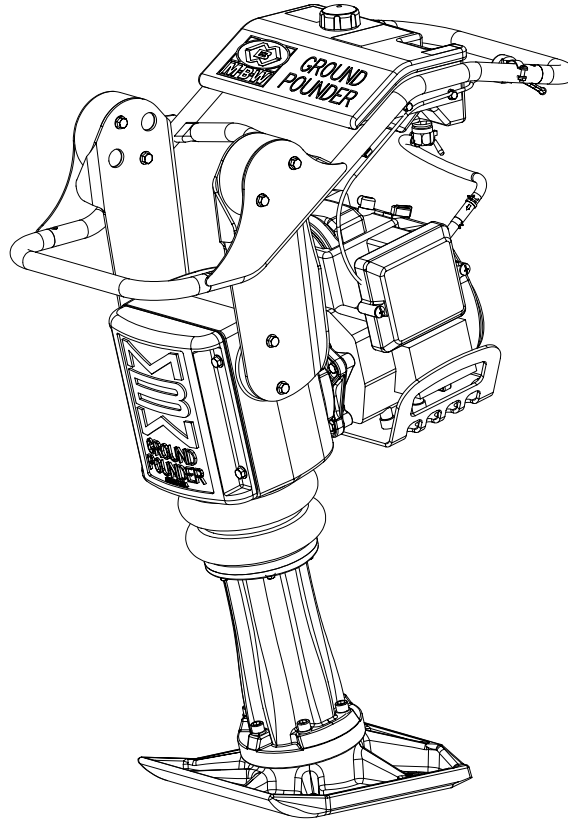
**CHECK ENGINE OIL DAILY. ENGINE MUST BE LEVEL.**

15137



Safety Decals (Decal Set #17777)

# SPECIFICATIONS

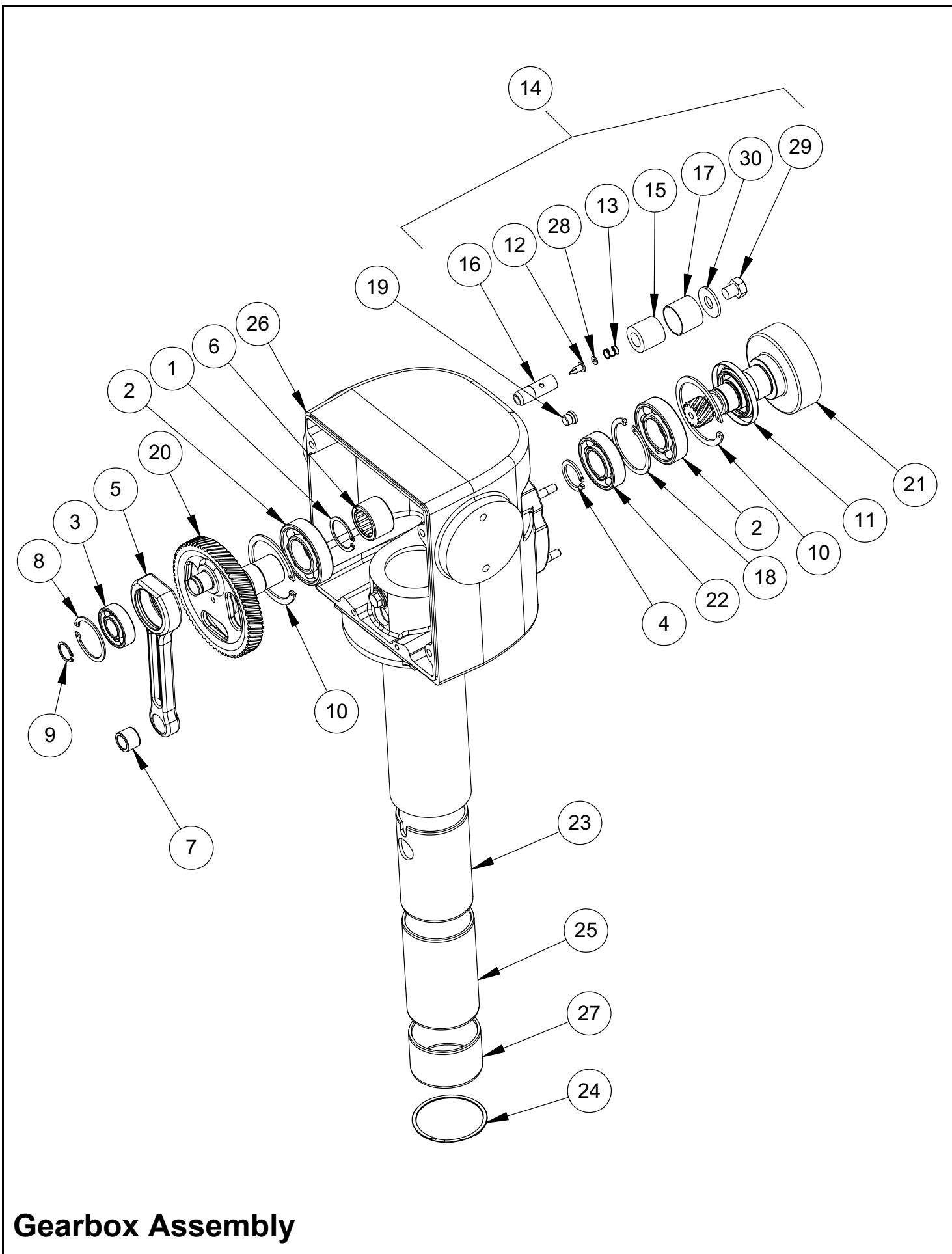


	<b>440H</b>
<b>Operating Weight</b>	142 lbs (64.4 kg)
<b>Height</b>	41 in (104 cm)
<b>Width</b>	15 in (38 cm)
<b>Length</b>	29 in (74 cm)
<b>Engine</b>	Honda GX100
<b>Shoe (W x L)</b>	11 x 13.5 in (27.9 x 34.3 cm)
<b>Operating Noise Level<sup>1</sup></b>	93 dBA
<b>Compaction Force</b>	3800 lbf (16.9 kN) per blow
<b>Travel Speed</b>	55 ft/min (16.8 m/min)
<b>Compaction Area</b>	2900 sqft/hr (269 sqm/hr)
<b>Percussion Rate</b>	up to 700 blows/min
<b>Engine Speed</b>	3500 rpm
<b>Fuel Capacity</b>	1.1 gal (4.2 L)
<b>Gearbox Oil Capacity</b>	18 ounces (0.5L)
<b>Engine Oil Capacity</b>	9.6 ounces (0.28 L)

Specifications subject to change without notice

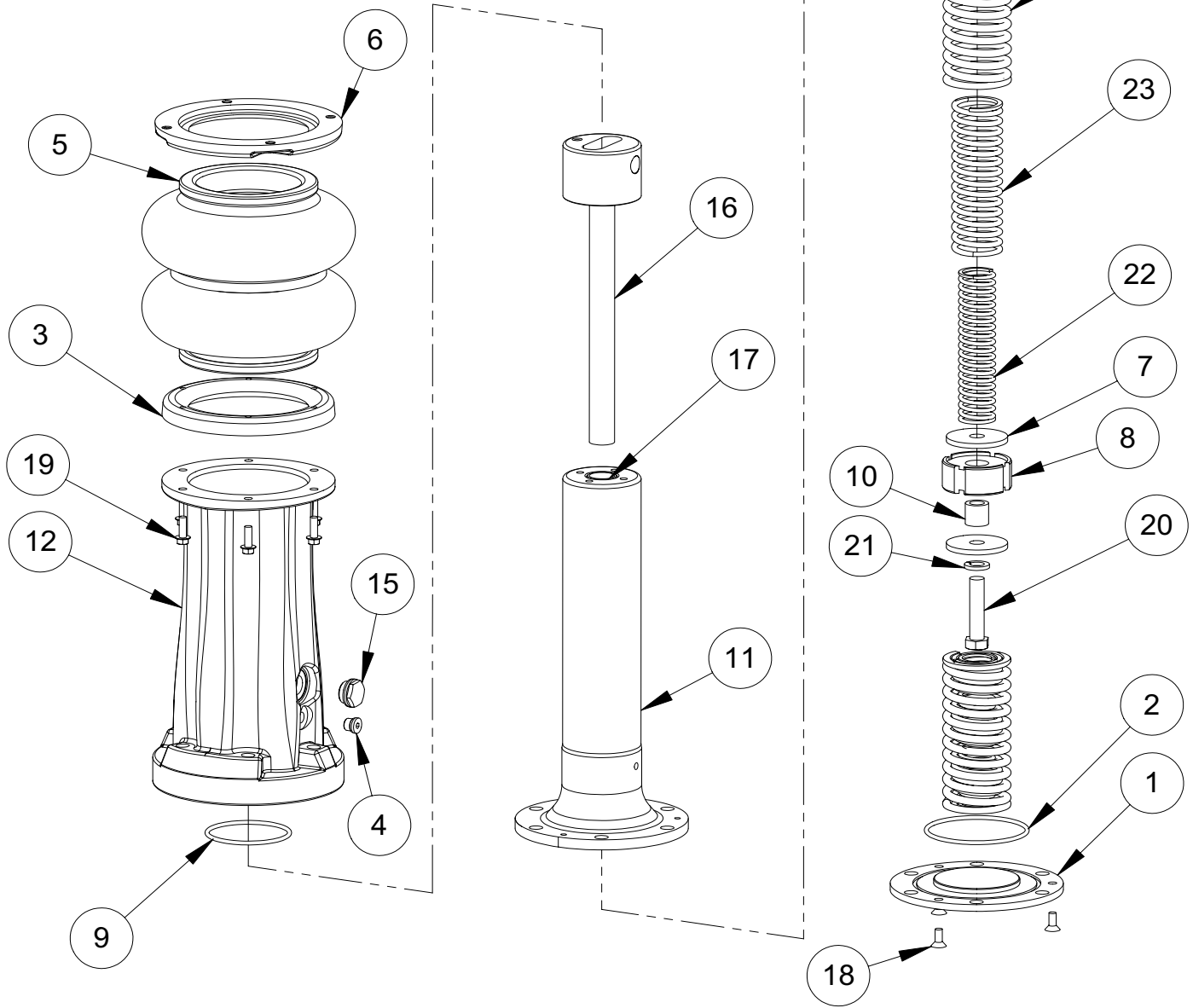
1. Noise levels are taken at the operating position and are based on operating conditions. Background noise will increase noise levels.

2. First level is operating on loose gravel surface. The second level is operating in highly compacted gravel surface. Hearing protection may be needed.



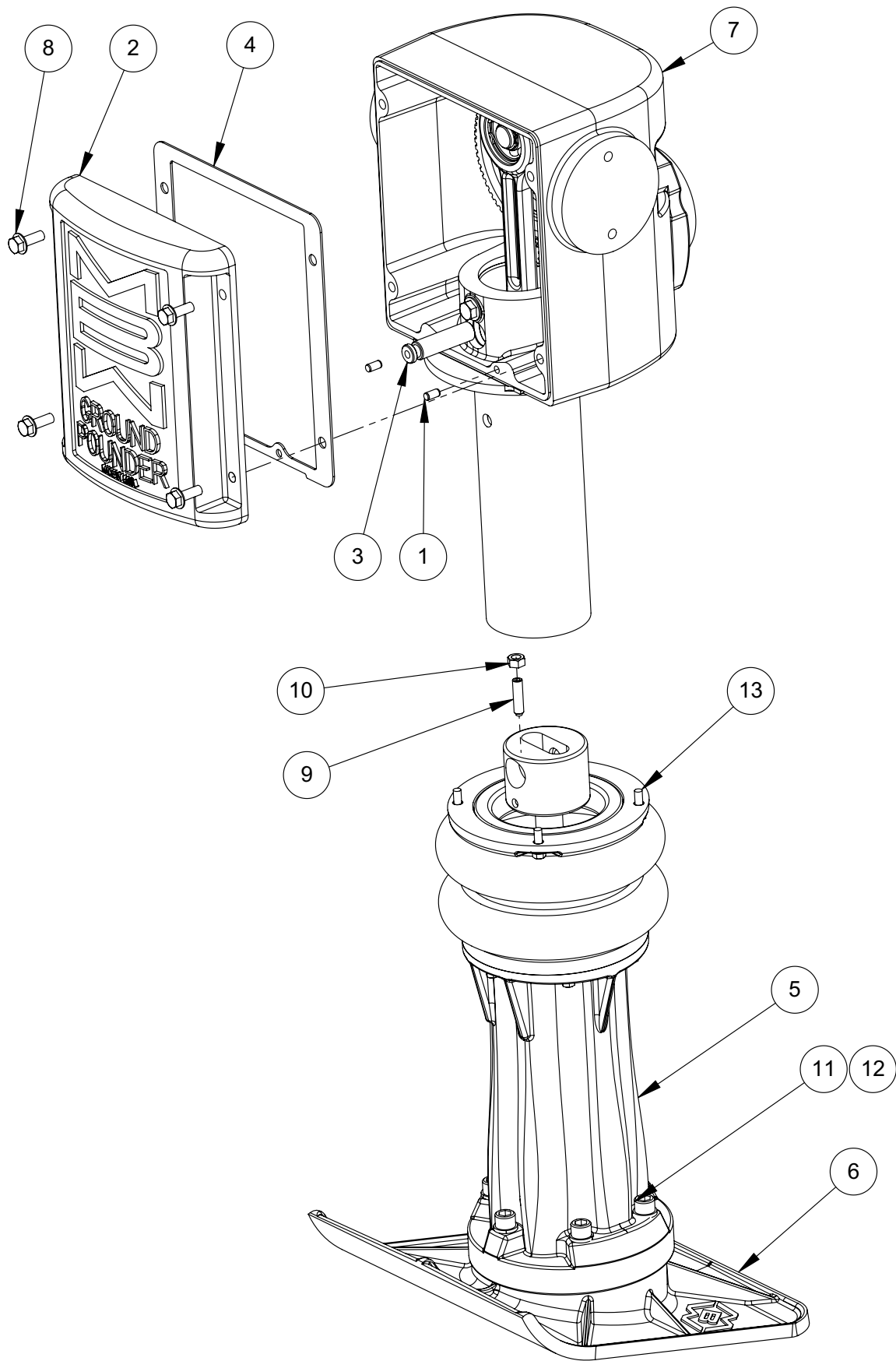
**Gearbox Assembly**





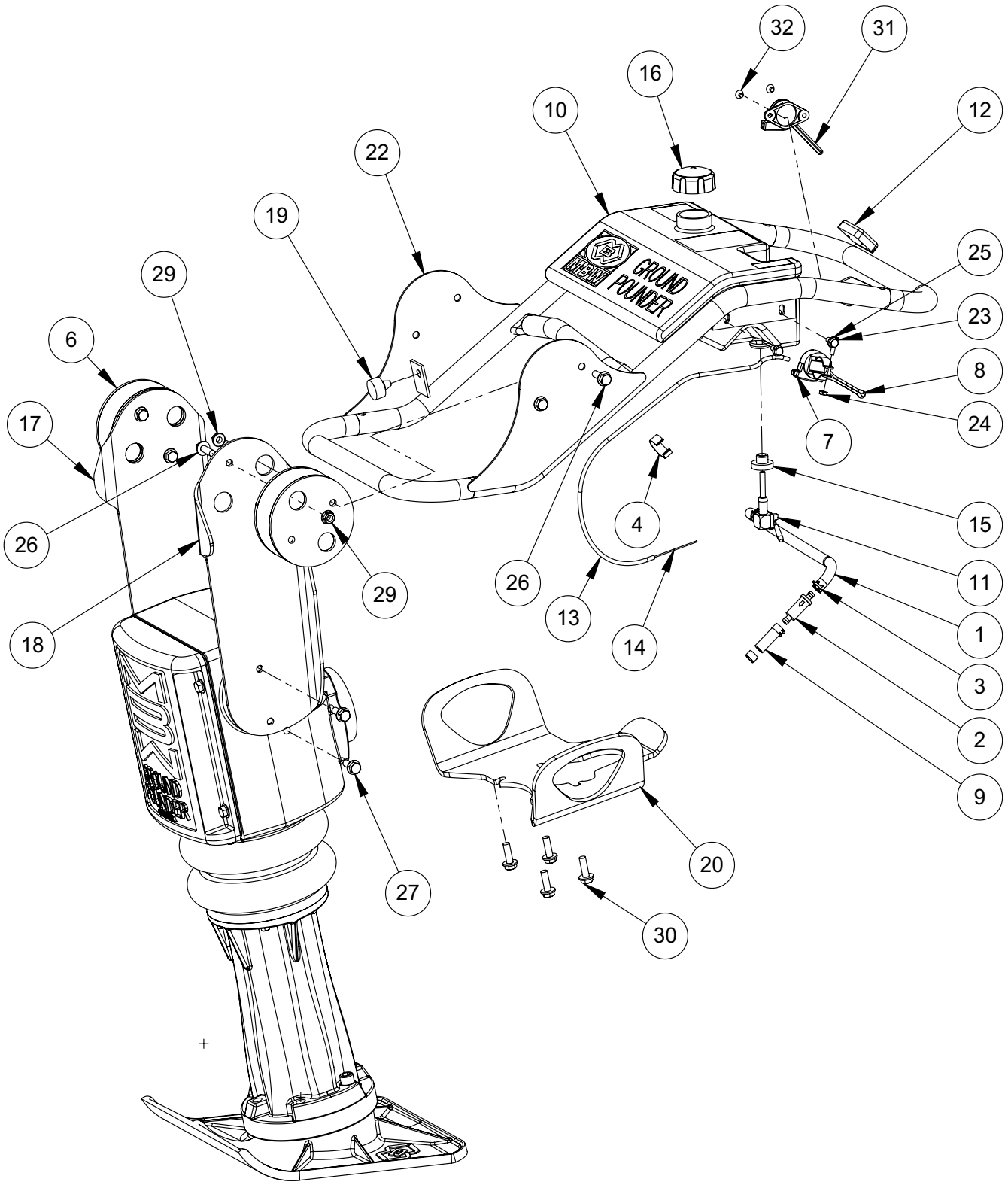
**Lower Unit Assembly**





## Gearbox and Lower Unit Assembly

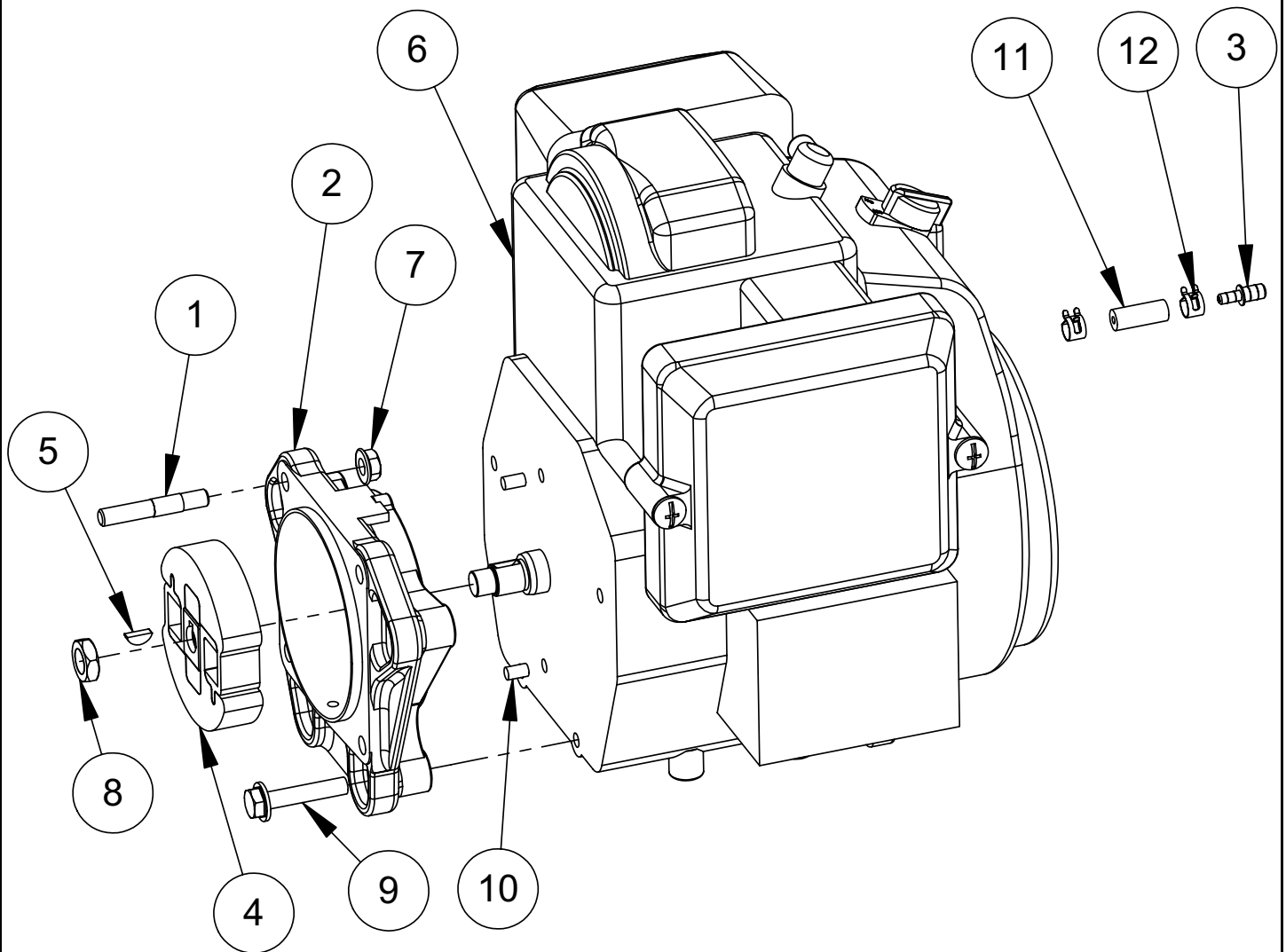




# Handle Assembly

ITEM	PART NO.	DESCRIPTION	QTY
1.	17720	HOSE, FUEL 7-1/2" LONG	1
2.	01045	FILTER, FUEL, IN-LINE	1
3.	01052	CLAMP, HOSE	4
4.	01145	CLAMP, SPRING	1
5.	07172	LOCKWASHER, 5/16" HIGH COLLAR	4
6.	07351	TORSION MOUNT	2
7.	07916	FERRULE, THROTTLE LEVER	1
8.	14715	THROTTLE, RATCHET STYLE	1
9.	15183	HOSE, FUEL 1-1/2" LONG	1
10.	16303	TANK, FUEL	1
11.	16414	VALVE, FUEL	1
12.	16415	HOURLMETER AND TACHOMETER	1
13.	16572	CASING, 30" THROTTLE WIRE	1
14.	16573	WIRE, 34.5" THROTTLE	1
15.	16586	GROMMET, 1/2"	1
16.	14714	CAP, 1-3/4"	1
17.	18510	HANDLE SUPPORT, RIGHT	1
18.	18511	HANDLE SUPPORT, LEFT	1
19.	18515	SNUBBER	2
20.	18527	ENGINE GUARD, HONDA (440H ONLY)	2
21.			
22.	18553	RAMMER HANDLE	1
	18883	RAMMER HANDLE , <b>FOR SERIAL NO. 4400224 AND UP</b>	1
23.	F033206PMS	PAN HEAD MACHINE SCREW, #10-32 x 3/4" LG ZP	1
24.	F0332HN	NUT, HEX #10-32 ZP	1
25.	F042004FWS	FLANGE SCREW, 1/4"-20 x 1/2" ZP	4
26.	F051808FWS	FLANGE SCREW, 5/16"-18 x 1" ZP	8
27.	F051807FWS	FLANGE SCREW, 5/16"-18 x 7/8"	4
29.	F0518FN	NUT, FLANGE 5/16"-18 ZP	8
30.	M08C025FWS	FLANGE SCREW, M8-1.25 x 25MM ZP	4
31.	18742	THROTTLE, FLANGE MOUNT, <b>FOR SERIAL NO. 4400224 AND UP</b>	1
32.	F032402FSS	FLAT HEAD SOCKET SCREW, 10-24 X 1/4" ZP, <b>FOR SERIAL NO. 4400224 AND UP</b>	2
		OPTIONAL ACCESSORIES	
	17602	KIT, TACHOMETER	

# HONDA GX100



## Engine Assembly

