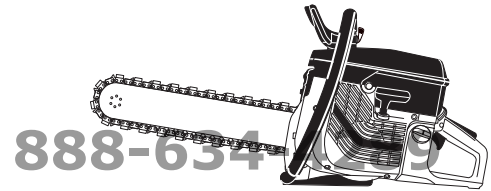


PARTNER

ConstructionParts.com



888-634-4289

IPL, K 950 CHAIN, 2003-01, 106 29 52-61

ConstructionParts.com

K 950 CHAIN

Reservdelar

Spare parts

Ersatzteile

Pieces derechange

Piezas de repuesto

Ricambi

Peças

sobresselente

ConstructionParts.com

888-634-4289

106 29 52-61

PARTNER®

No.	Pos.	Description	No.	Pos.	Description
501 22 03-01	M	Welch plug	503 57 76-02	F	Hose
501 22 04-01	M	Ball	503 57 86-01	M	Ball
501 22 05-01	M	Spring	503 57 87-01	M	Screw
501 22 12-01	M	Fuel pump diaphragm	503 57 89-01	F	Holder
501 22 13-01	M	Gasket, pump side	503 66 56-01	E	Valve
501 22 15-01	M	Screw	503 67 80-01	L	Support ring
501 22 20-01	M	Lever	503 90 17-01	J	Ignition module
501 22 21-01	M	Shaft	503 97 83-01	E	Muffler
501 22 25-01	M	Spring	503 98 82-01	M	Screen
501 48 52-01	M	Screw	505 27 75-16	J	Insulation cap
501 48 54-02	J	Spark plug conn.kit	505 31 65-50	M	Inlet needle
501 53 16-01	J	Cable	506 09 56-02	G	Clamp
501 63 48-01	J	Spring	506 09 56-04	G	Clamp
501 67 32-03	J	Pawl	506 13 35-01	L	Bracket
501 69 17-02	N	Comb. tool	506 15 55-06	E	Cylinder cpl
501 76 83-05	F	Hose	506 15 82-01	E	Gasket
501 76 83-31	F	Hose	506 16 91-01	E	Conductor
501 81 99-01	J	Screw M5x14	506 22 16-12	K	Cylinder cover
501 82 18-01	M	Retaining ring	506 22 17-01	K	Filter cover
501 83 98-01	J	Cable	506 22 18-11	K	Filter base
502 41 22-01	G	Clip	506 22 19-01	L	Pipe
503 12 79-02	H	Starter handle	506 22 22-02	H	Air conductor
503 14 51-01	B	Clutch spring	506 22 27-01	F	Throttle trigger
503 20 00-01	G	Screw m6sf 5x20	506 22 28-01	F	Throttle lock
503 20 00-03	B	Screw m6sf 5x12	506 22 29-01	F	Spring
503 20 02-16	EFKL	Screw mc6sf 5x16	506 22 31-01	L	Rod
503 20 02-55	L	Screw mc6sf 5x55	506 22 39-01	L	Flange
503 20 02-70	B	Screw mc6sf 5x70	506 22 94-01	K	Jet
503 20 07-30	K	Screw mc6sf 5x30	506 23 12-01	L	Guide
503 20 19-75	E	Screw	506 23 18-01	K	Air filter
503 20 25-20	J	Screw mc6shs 4x20	506 23 19-01	K	Filter
503 20 34-19	H	Screw	506 23 20-11	L	Choke control
503 20 34-42	K	Screw	506 23 23-01	F	Spring
503 21 05-22	FG	Screw	506 23 24-01	C	Gasket
506 21 05-25	G	Screw	506 23 59-03	H	Starter cpl
503 21 27-10	G	Screw	506 23 61-01	F	Tank vent.
503 21 28-06	J	Screw	506 23 75-01	F	Spring
503 21 28-10	H	Screw	506 24 39-01	K	Decal
503 21 49-25	G	Screw	506 25 14-01	H	Washer
503 21 67-22	H	Screw	506 25 30-01	H	Spring
503 22 10-11	J	Lock nut M8x1	506 25 59-32	F	Tank cap
503 22 21-02	C	Lock nut m8	506 25 64-02	M	Insert
503 23 00-42	J	Washer	506 25 81-02	H	Starter pulley
503 23 01-01	J	Washer 8.4x16	506 25 84-01	M	Gasket
503 23 04-02	E	Washer	506 25 85-01	M	Diaphragm
503 23 51-08	J	Spark plug RCJ7Y	506 25 88-01	M	Gasket set
503 25 00-02	CD	Ball bearing 6203C3QE6	506 25 89-01	H	Return spring
506 25 53-01	B	Needle bearing	506 26 31-01	H	Sleeve
503 25 61-01	DE	Needle bearing	506 26 41-01	F	Filter
503 26 02-05	C	Sealing ring	506 26 41-11	F	Fuel filter cpl
503 26 30-21	G	O-ring	506 27 11-01	F	Fuel filter weight
503 28 04-02	LM	Carburettor	506 27 14-01	M	Screw
503 28 90-24	E	Piston ring	506 27 23-01	H	Decal
503 40 06-07	L	Hose	506 27 24-01	K	Decal
503 45 46-01	F	Elbow	506 27 25-01	L	Protector
503 46 02-02	E	Piston cpl	506 27 27-01	J	Flywheel cpl
503 46 85-01	F	Anti-vib element	506 27 31-01	C	Buffer
503 53 36-01	M	Cover	506 27 63-01	M	Repair kit
503 53 39-01	M	Nipple	506 27 84-31	K	Label epa usa
503 56 00-02	L	Clamp	506 27 84-32	K	Label ce

ConstructionParts.com

888-634-4289

No.	Pos.	Description	No.	Pos.	Description
506 27 84-33	K	Label epa canada	725 53 72-55	E	Screw mc6s 6x25
506 28 39-30	K	Sealing	725 54 50-01	C	Screw m6s 8x18
506 28 53-01	G	Spring	725 63 27-51	A	Screw mf6s 5x12
506 28 63-01	M	Spring	725 64 53-01	B	Screw, mf6s, 8x25
506 28 68-01	M	Cover	737 44 13-00	E	Clip
506 28 74-01	L	Intake	740 43 13-00	H	O-ring
506 28 75-02	B	Retaining ring	740 44 07-00	B	O-ring 26,2x3
506 28 76-01	B	Retaining ring	740 48 18-02	A	O-ring 20,3x1,78
506 28 95-01	F	Nipple	740 48 20-03	K	O-ring
506 29 05-03	N	Gasket set			
506 29 09-01	M	Throttle shaft kit			
506 29 10-01	M	Throttle shaft sealing kit			
506 29 11-01	M	Choke shaft kit			
506 29 13-01	M	Jets and plugs kit			
506 29 21-01	F	Gasket			
506 29 57-01	G	Nipple			
506 29 88-01	G	Screen			
506 31 86-01	J	Stop switch			
506 32 21-01	K	Decal			
506 32 54-01	B	Bracket			
506 32 55-01	A	Cluth cover			
506 32 76-01	C	Bolt cpl			
506 32 79-01	A	Lever			
506 32 89-51	G	Wet cutting kit			
506 32 96-01	G	Handle			
506 33 23-01	B	Pipe			
506 33 24-01	G	Protector			
506 33 28-01	A	Washer			
506 33 29-01	C	Ring			
506 33 32-01	A	Plate			
506 33 33-01	A	Pawl			
506 33 34-01	A	Cover			
506 33 35-01	A	Cover			
506 33 38-01	B	Clutch cpl			
506 33 40-01	A	Screw			
506 33 42-01	B	Rim			
506 33 44-01	B	Supporting cup			
506 33 45-01	G	Plate			
506 33 46-01	G	Splash guard			
506 33 47-02	C	Crankcase			
506 33 56-15	H	Starter rope			
506 33 72 01	H	Cover			
506 33 91-71	D	Crankshaft			
506 34 04-01	G	Protector			
506 34 09-11	B	Wheel cpl			
506 34 10-11	A	Lever cpl			
506 34 23-01	A	Nut			
506 34 62-14	P	Bar			
506 34 72-01	A	Arm			
506 34 79-01	A	Nut			
506 35 25-01	G	Hose			
506 35 26-11	F	Tank unit cpl			
506 35 34-01	A	Spacer			
506 35 43-01	B	Guard			
506 35 44-01	B	Protector			
506 35 46-01	A	Decal			
506 35 94-01	A	Screw cpl			
720 12 40-20	F	Pin			
720 13 07-10	C	Pin			
725 53 40-55	C	Screw mc6s 5x45			

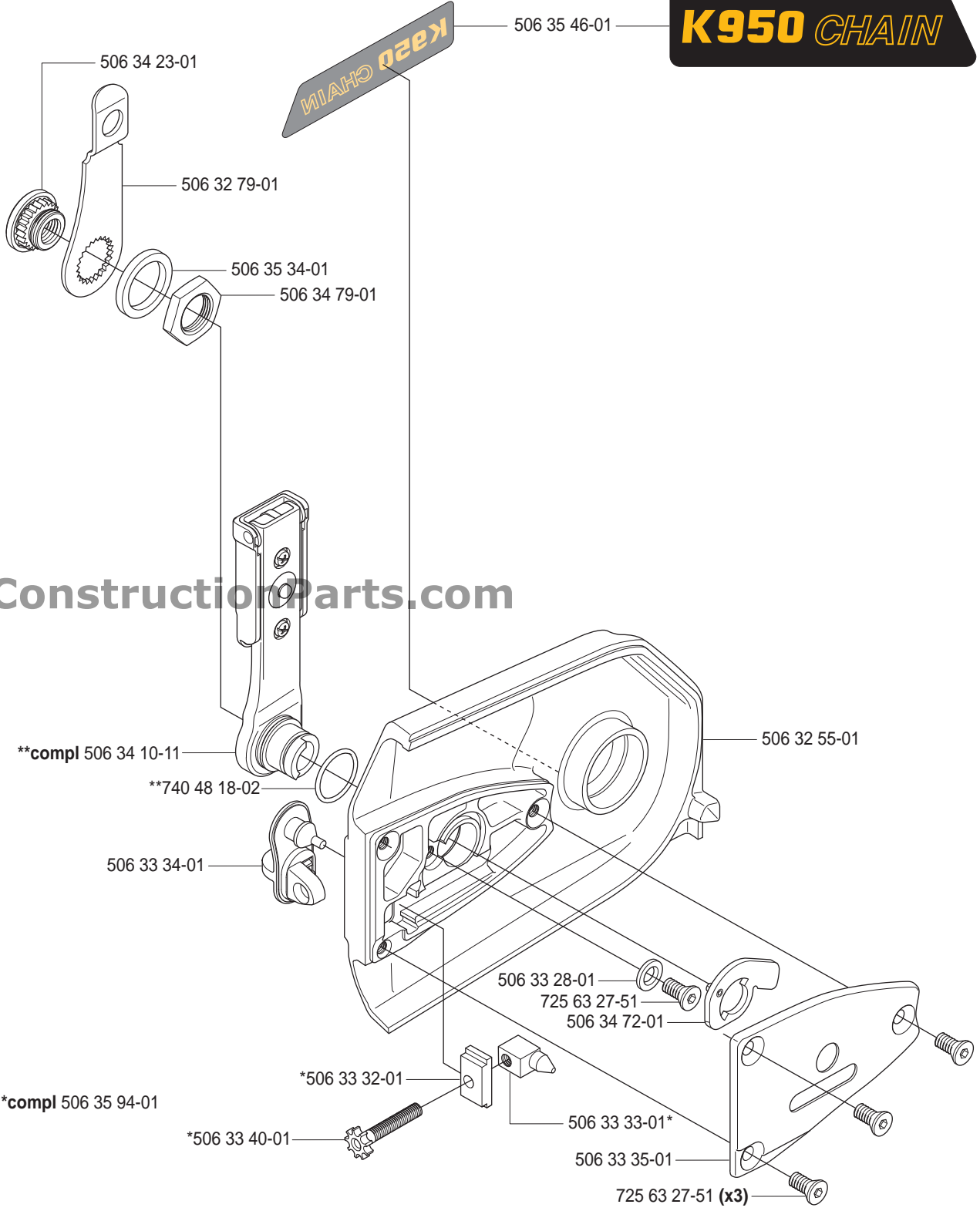
ConstructionParts.com

888-634-4289

A

ConstructionParts.com

888-634-4289

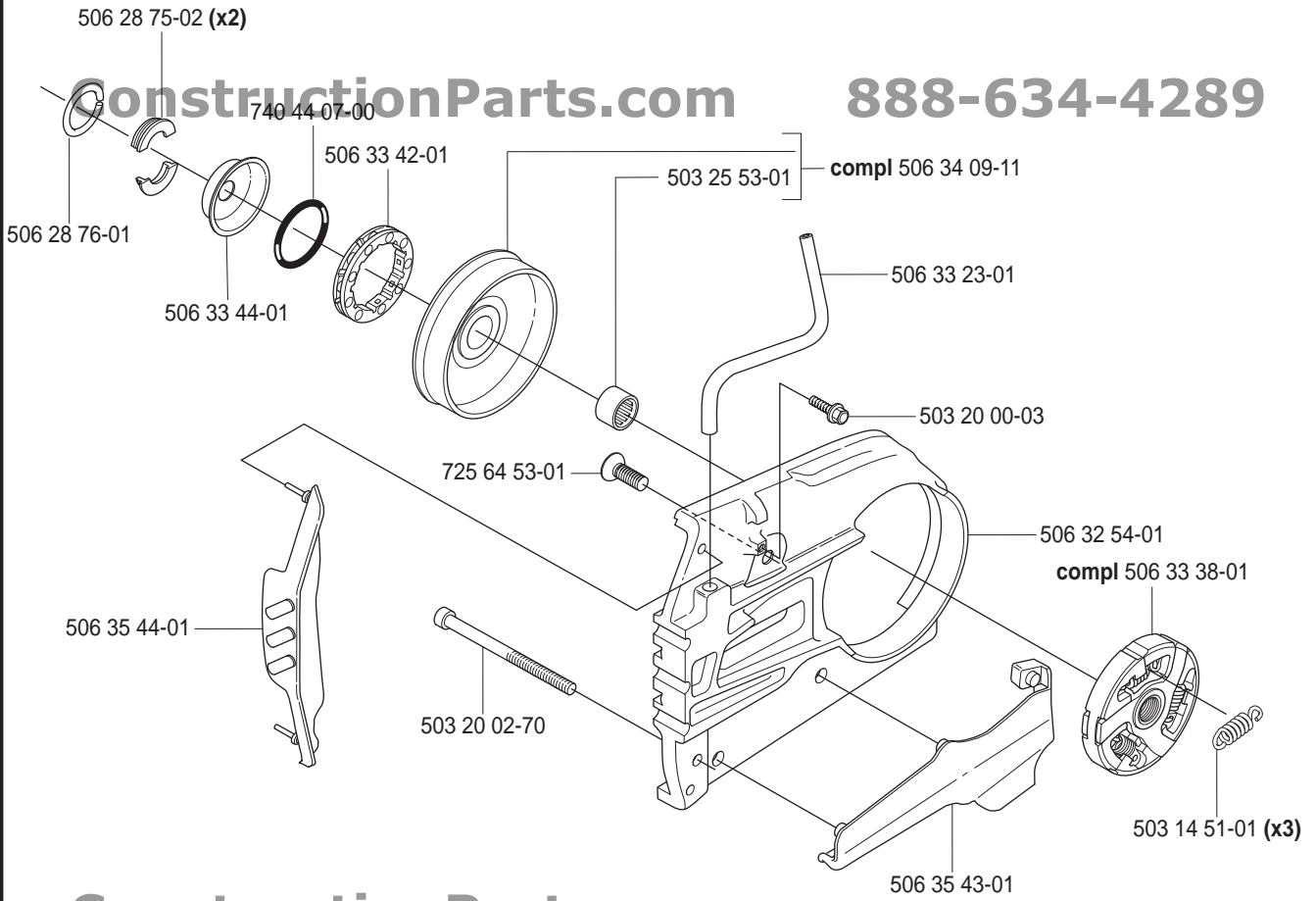


ConstructionParts.com

ConstructionParts.com

888-634-4289

B

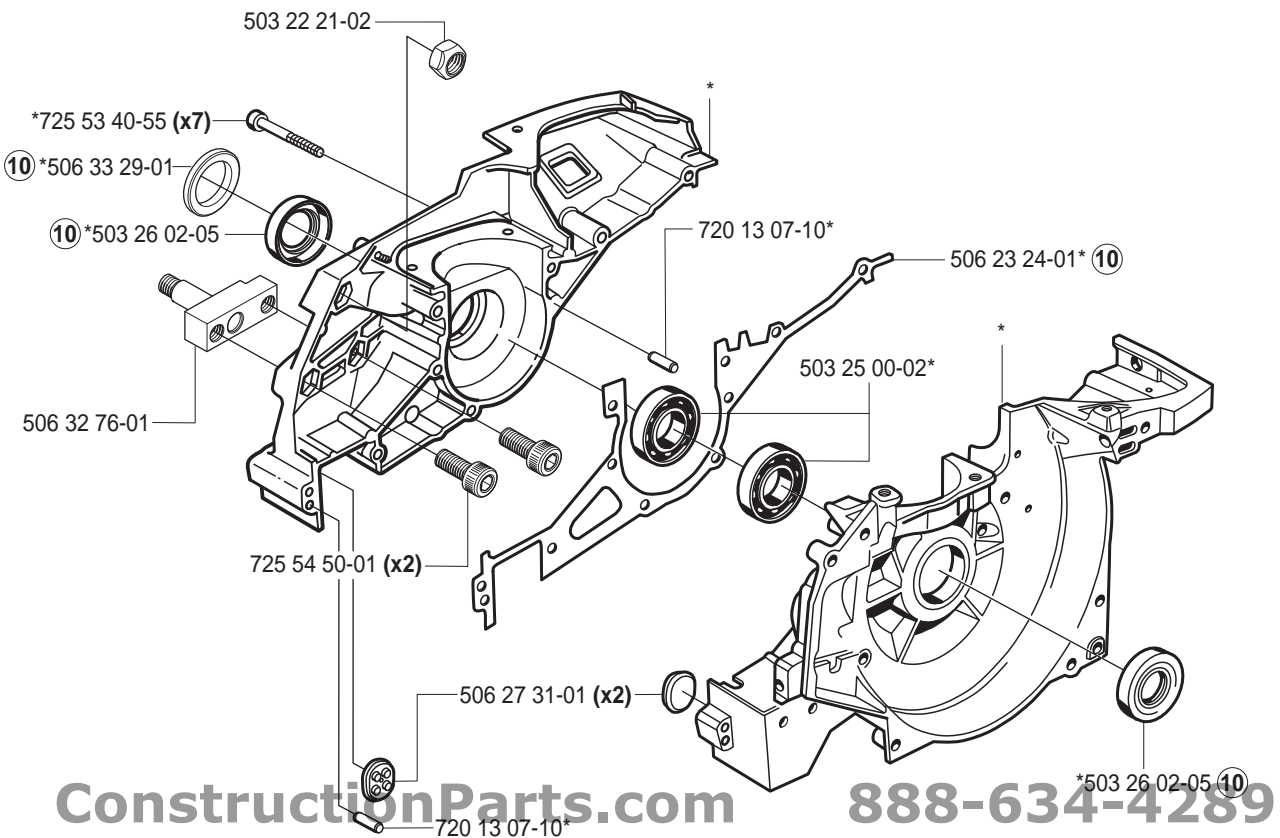


ConstructionParts.com

888-634-4289

C

Crankcase
*compl 506 33 47-02

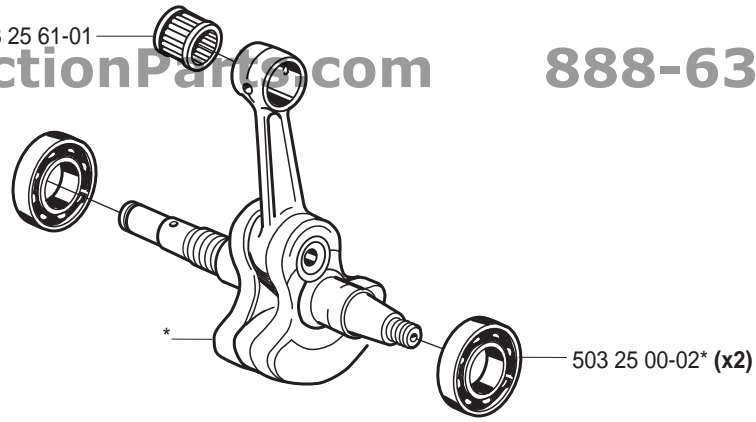


ConstructionParts.com

888-634-4289

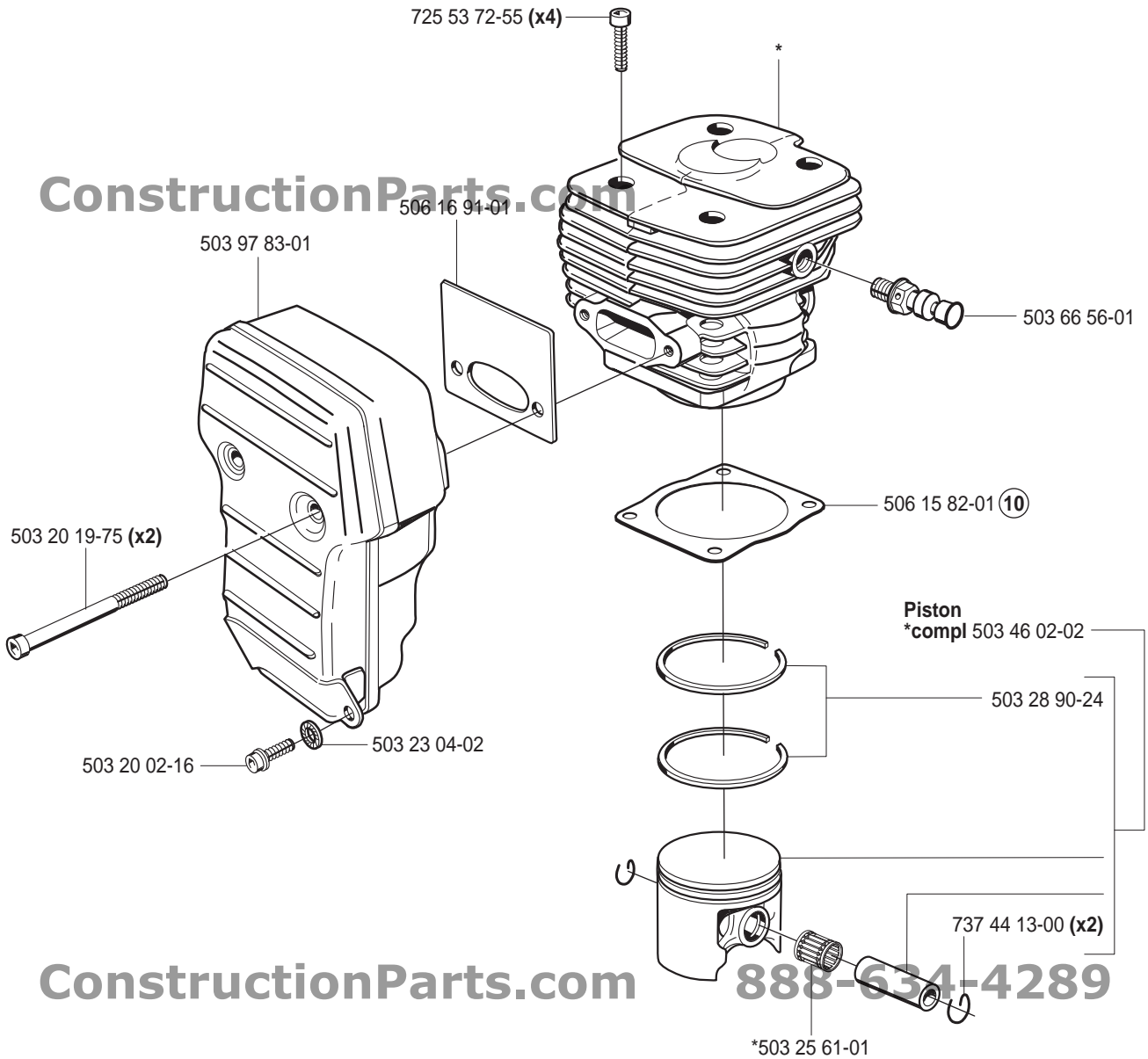
D *compl 506 33 91-71

ConstructionParts.com 888-634-4289



E Cylinder and piston
*compl 506 15 55-06

ConstructionParts.com



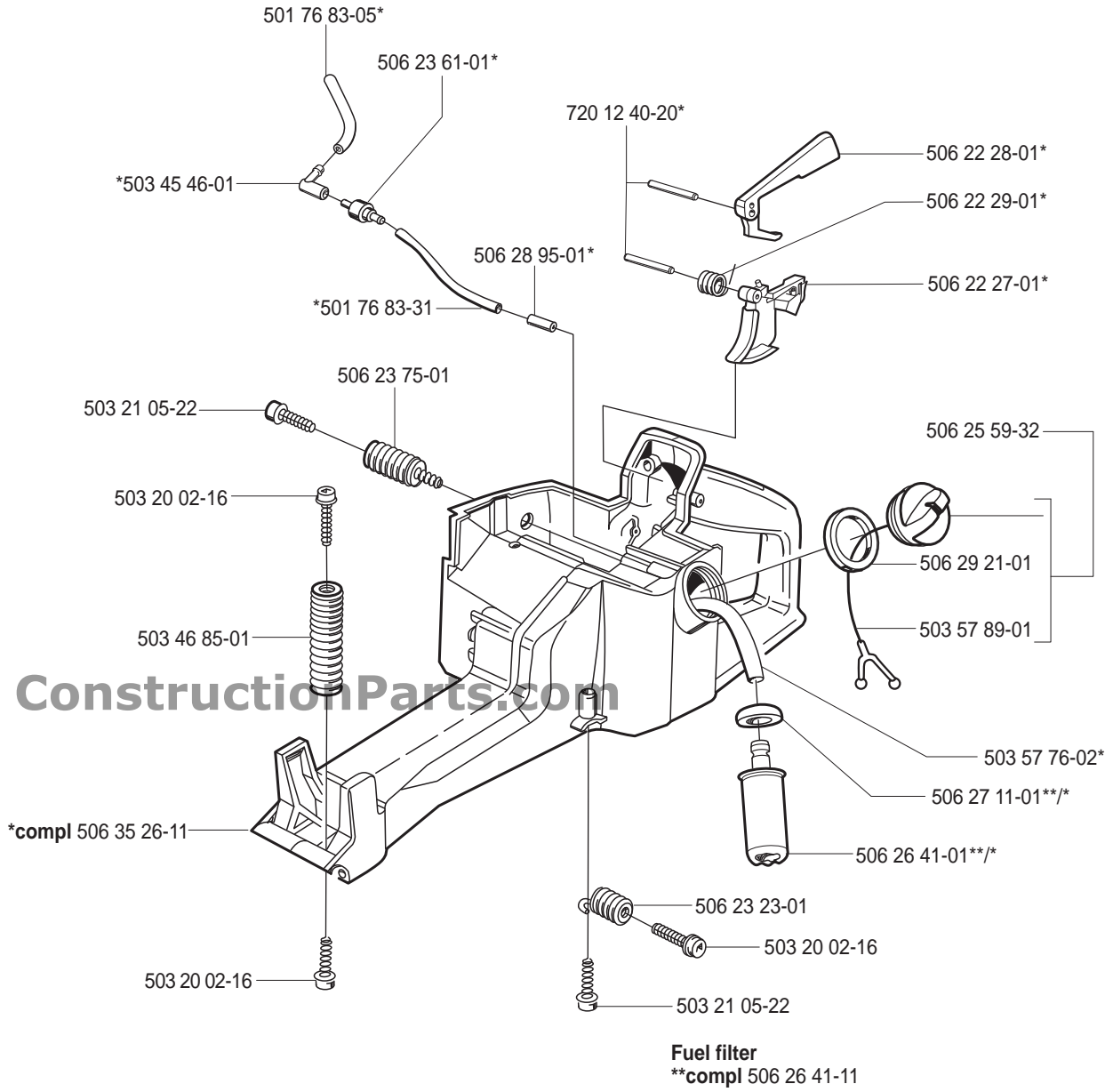
ConstructionParts.com

888-634-4289

F Tank unit
*compl 506 35 26-11

ConstructionParts.com

888-634-4289



ConstructionParts.com

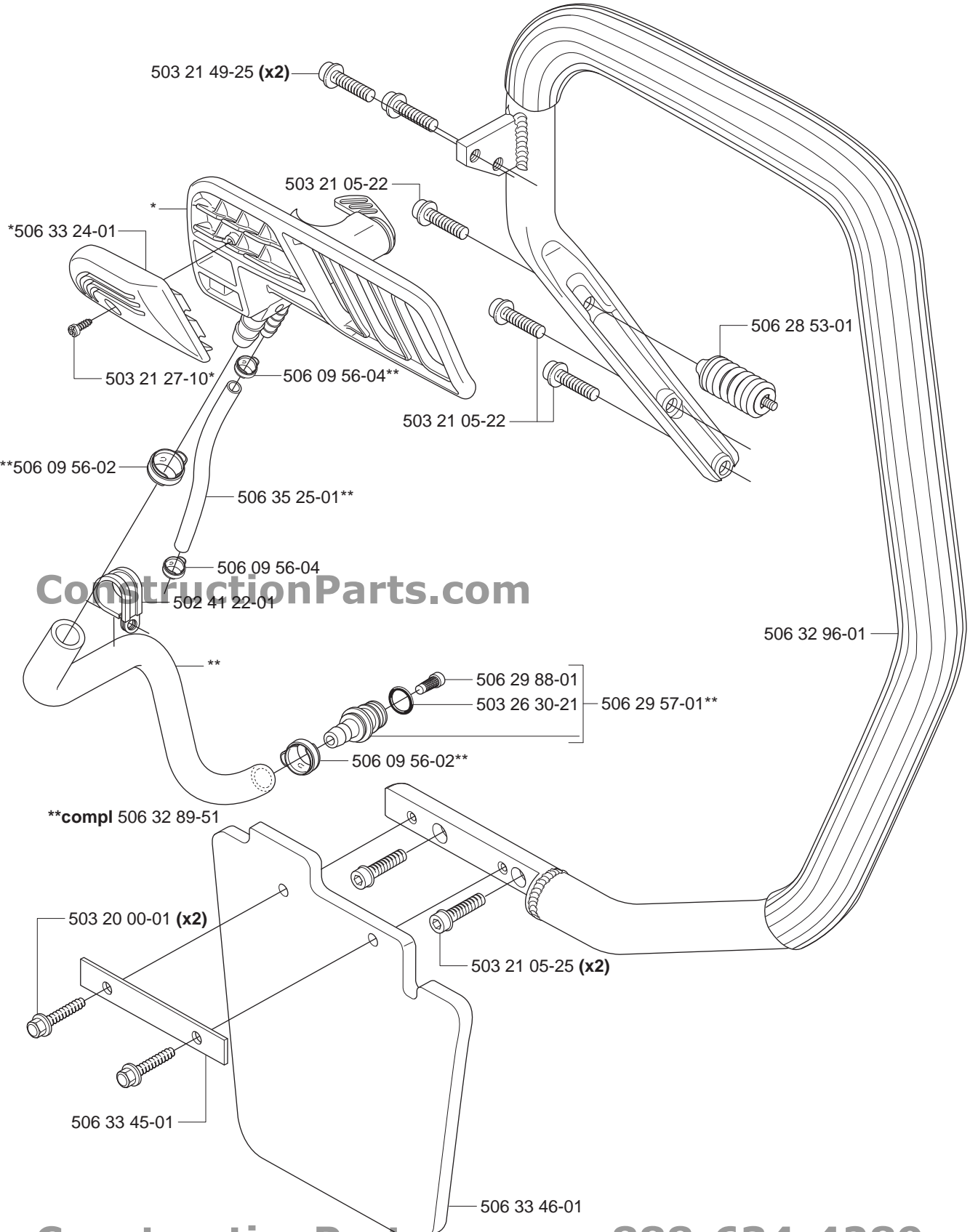
888-634-4289



*compl 506 34 04-01

ConstructionParts.com

888-634-4289



ConstructionParts.com

888-634-4289

H Starter
compl 506 23 59-03

ConstructionParts.com

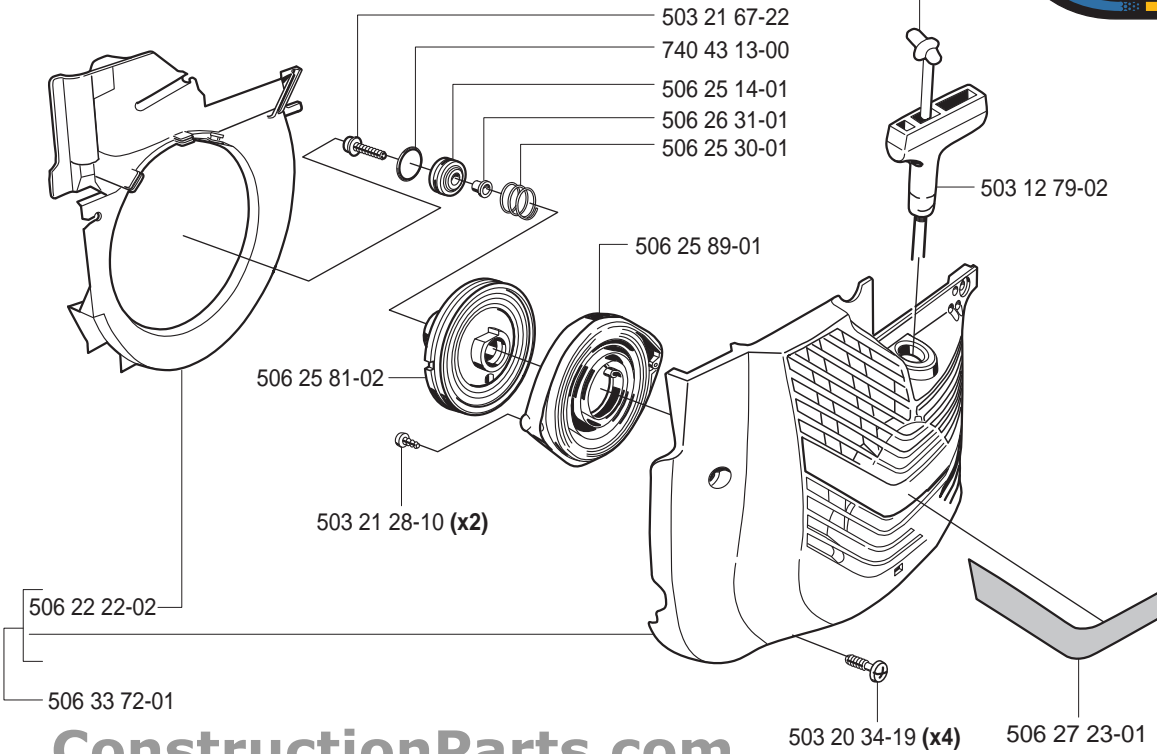
888-534-4289

506 27 23-01



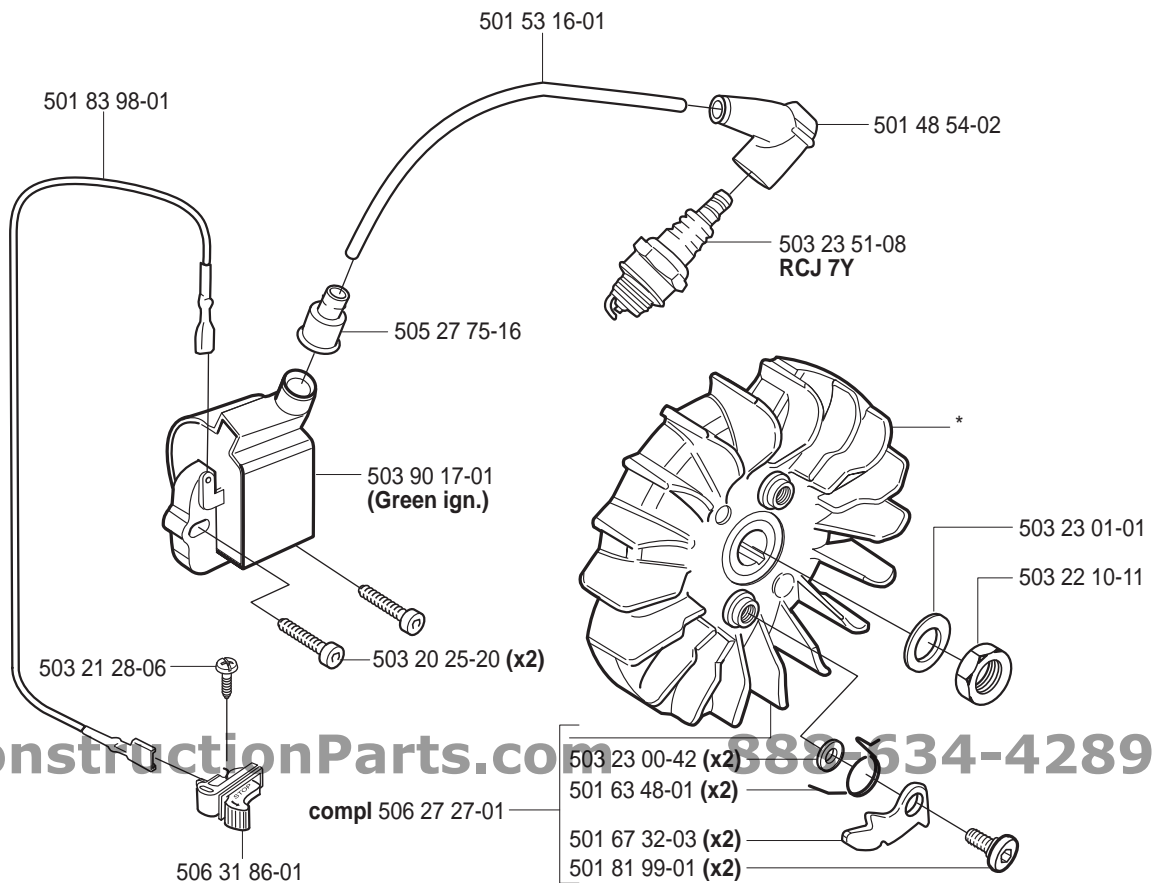
506 33 56-15

PARTNER



ConstructionParts.com

J



ConstructionParts.com 888-534-4289

K

ConstructionParts.com

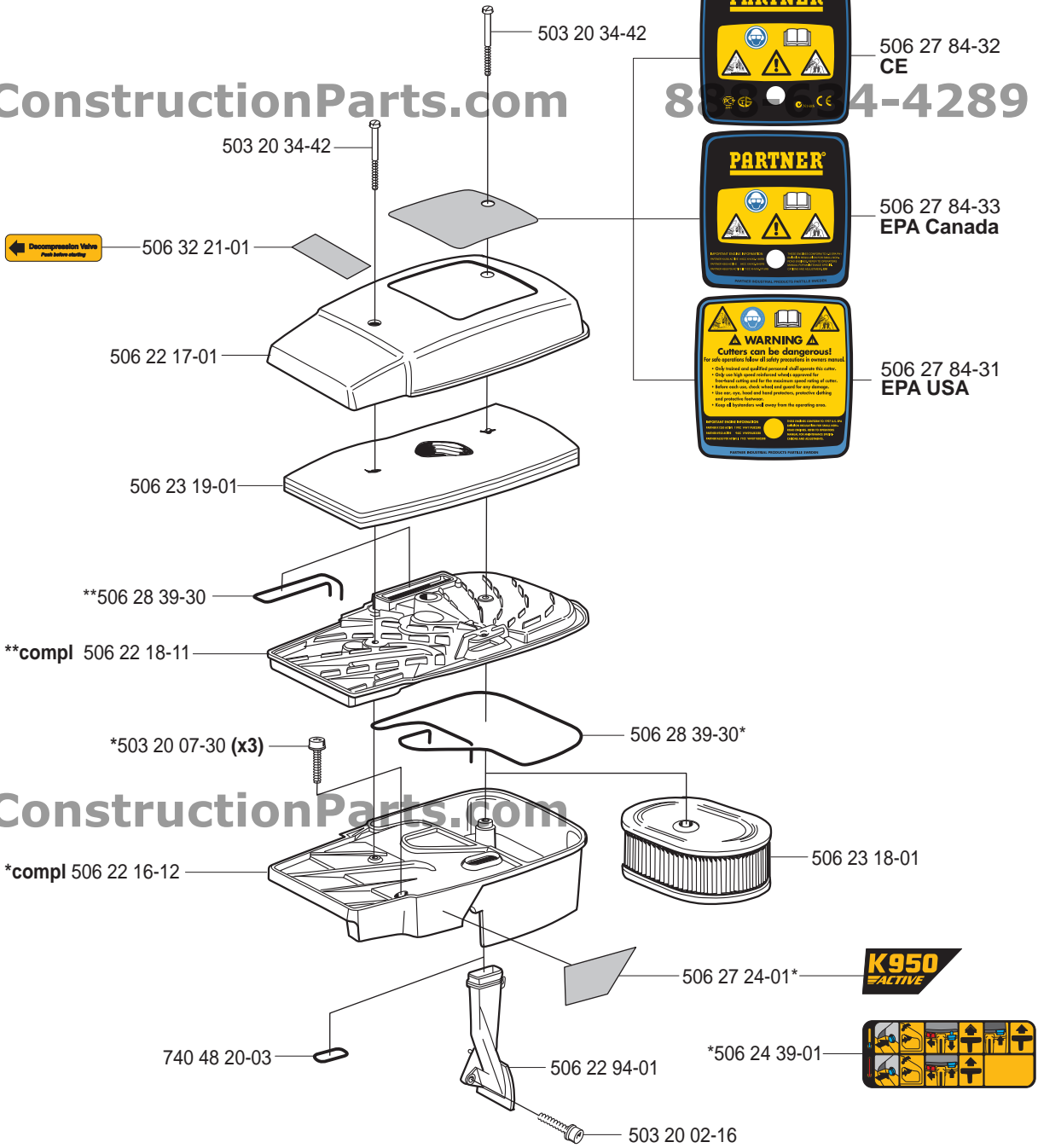
888-634-4289



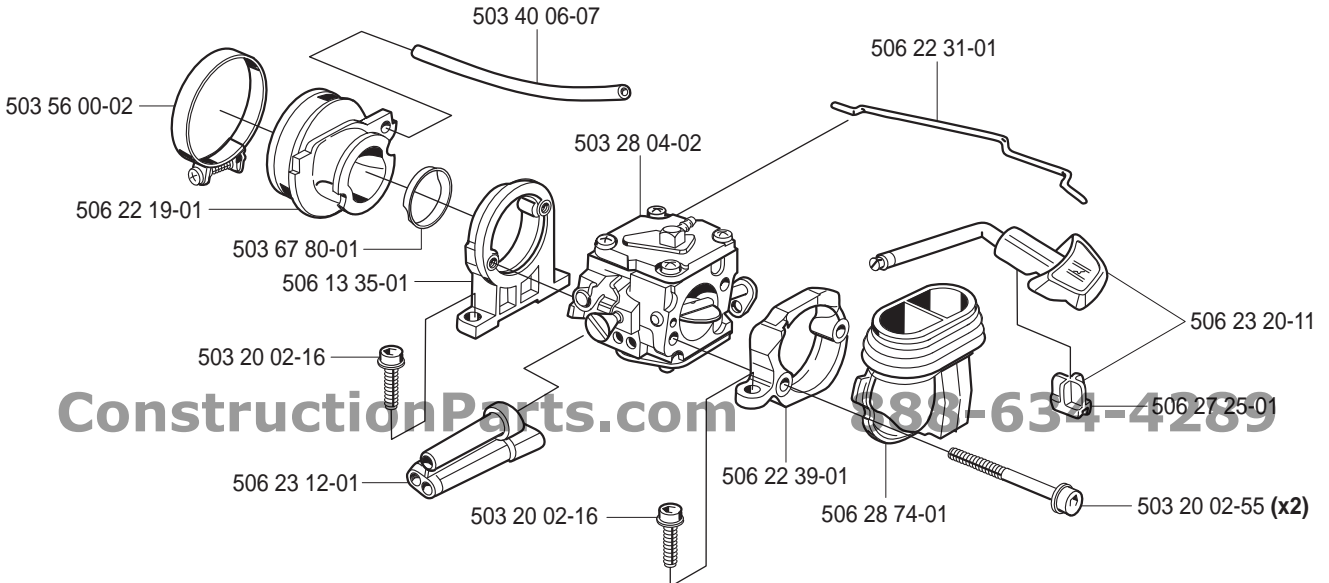
ConstructionParts.com

ConstructionParts.com

888-634-4289

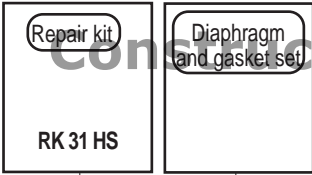


L

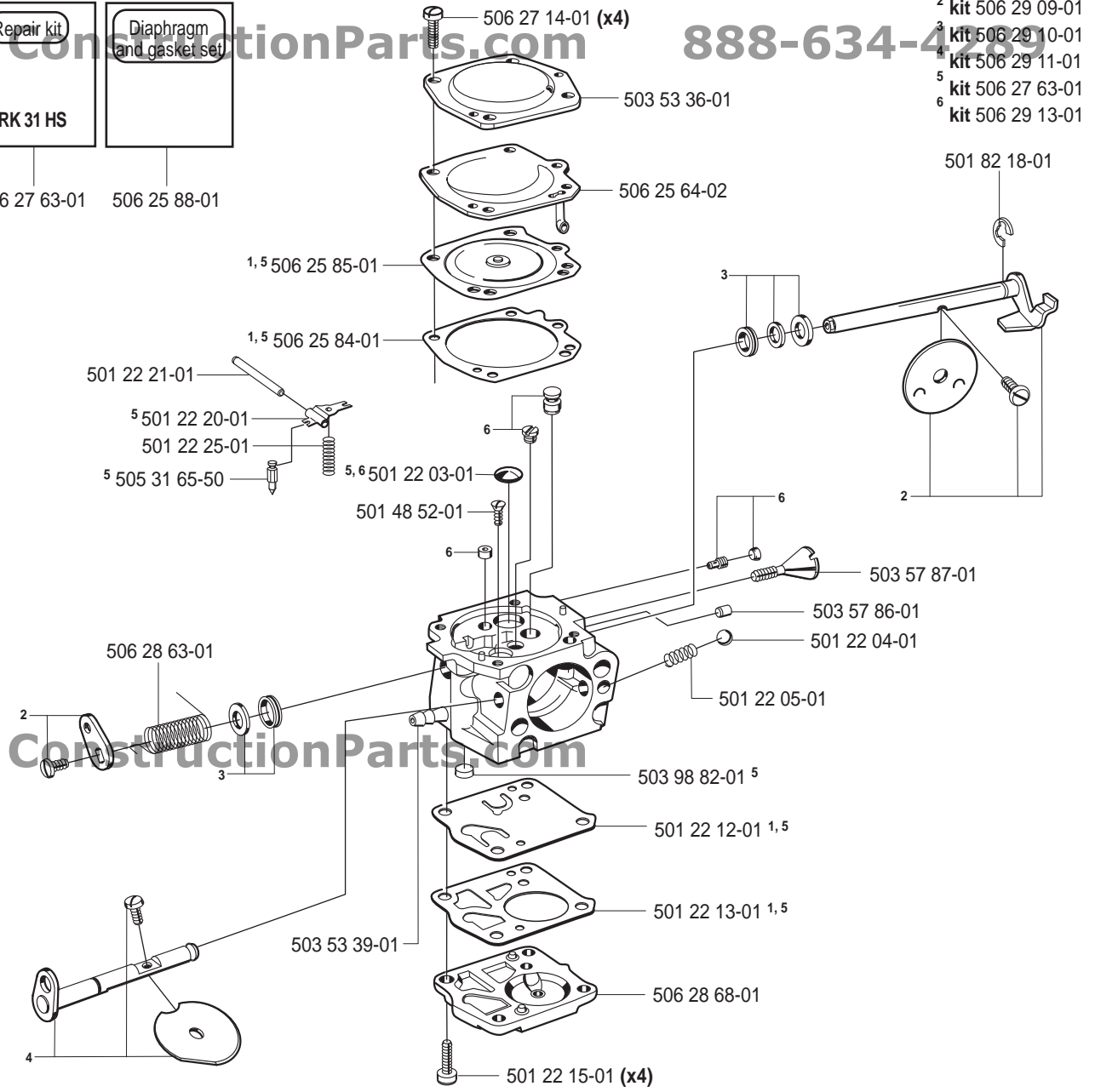


M compl 503 28 04-02

Tillotson HS 282-A



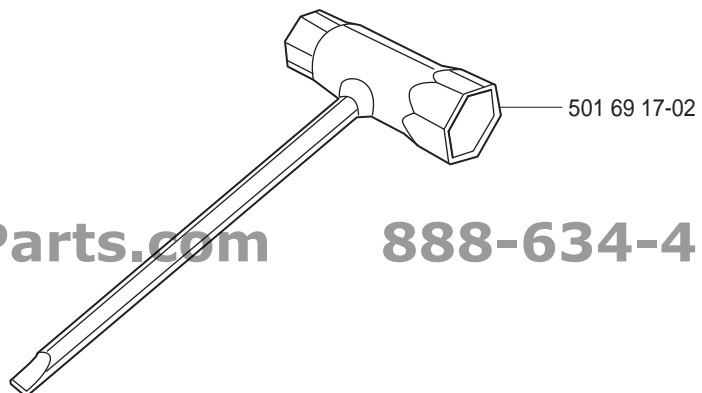
506 27 63-01 506 25 88-01



N



506 29 05-03 (10)

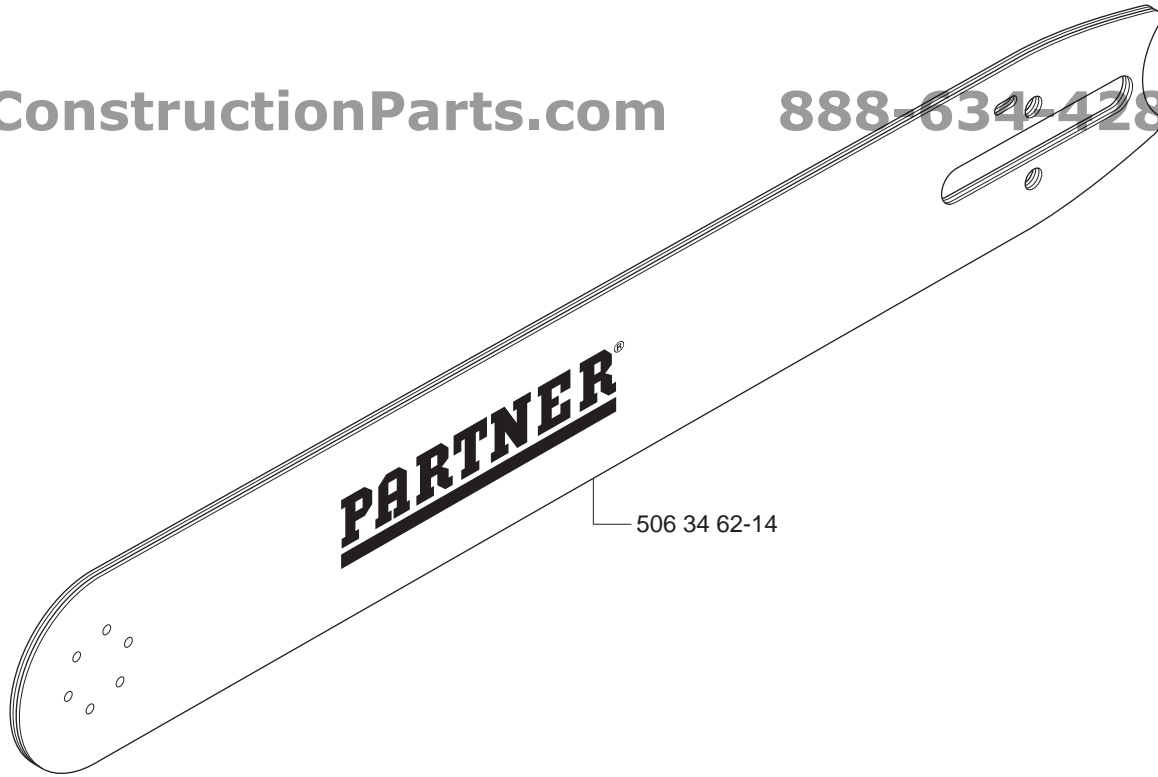


ConstructionParts.com 888-634-4289

P

ConstructionParts.com

888-634-4289



ConstructionParts.com

ConstructionParts.com

888-634-4289