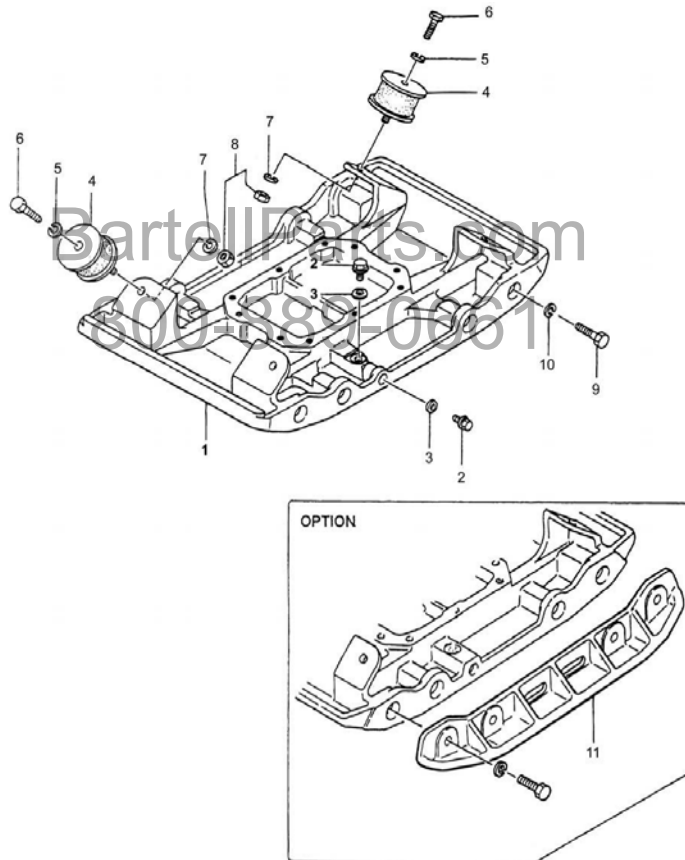


PARTS LIST 1 – REVERSIBLE HYDRAULIC PLATE COMPACTORS

VIBRATING PLATE

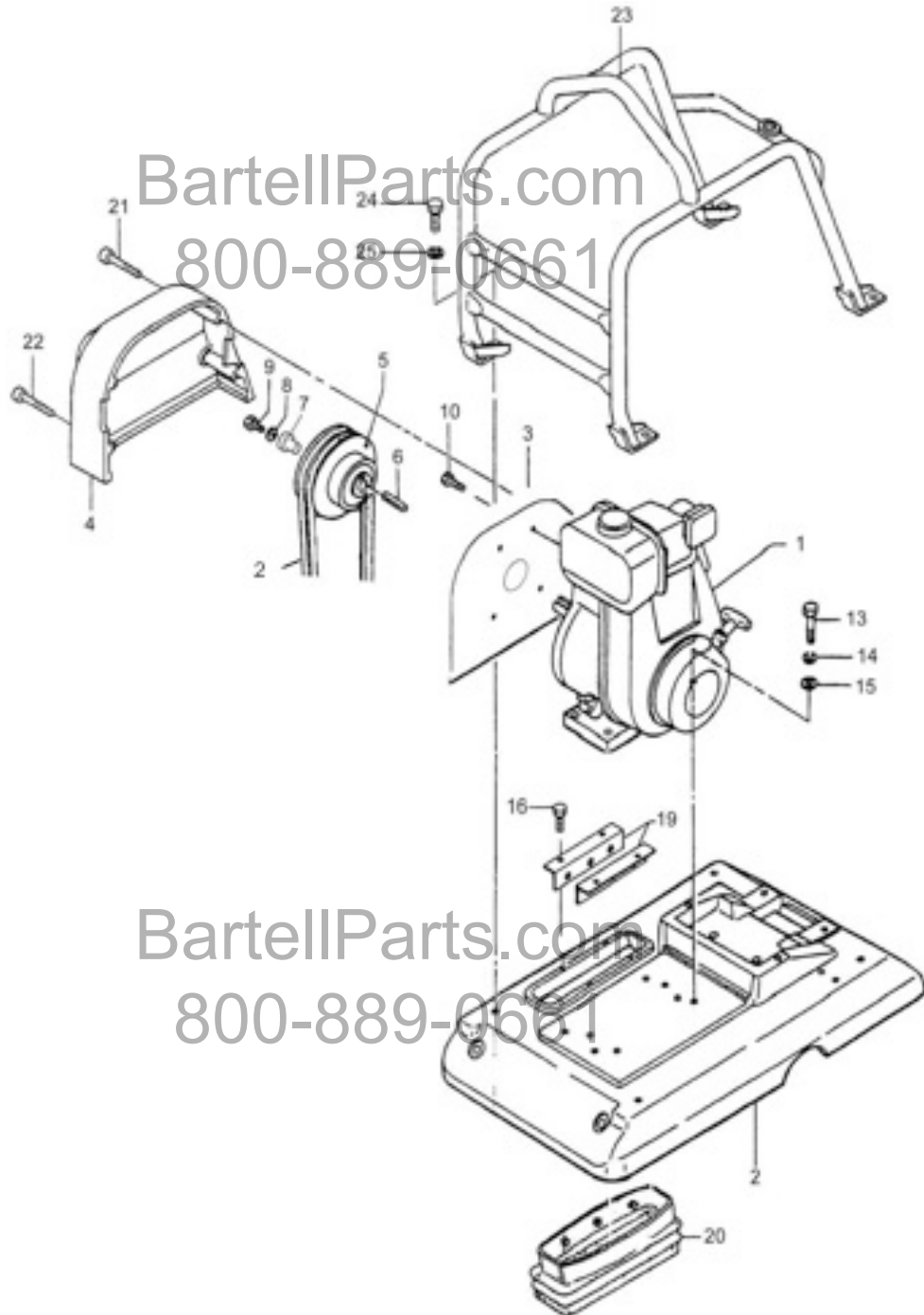


VIBRATING PLATE: BR4600 – PARTS LIST 1

Item #	Part #	Description	QTY	Remarks
1	CPC-350-01A	VIBRATING PLATE	1	
2	CPC-350-02A	DRAIN-PLUG M16x1.5	2	
3	CPC-350-03A	PACKING 16	2	
4	CPC-350-04A	SHOCK ABSORBER	4	
5	CPC-350-05A	SW & PACKING M16	4	
6	CPC-350-06A	BOLT M16x75T	4	
7	CPC-350-07A	SW & PACKING M16	4	
8	CPC-350-08A	NUT 16	4	
9	CPC-350-09A	BOLT M16x50T	8	
10	CPC-350-010A	SW & PACKING M16	8	
11	CPC-350-011A	EXTENSION PLATE	2	OPTION

PARTS LIST 2 – REVERSIBLE HYDRAULIC PLATE COMPACTORS

BODY



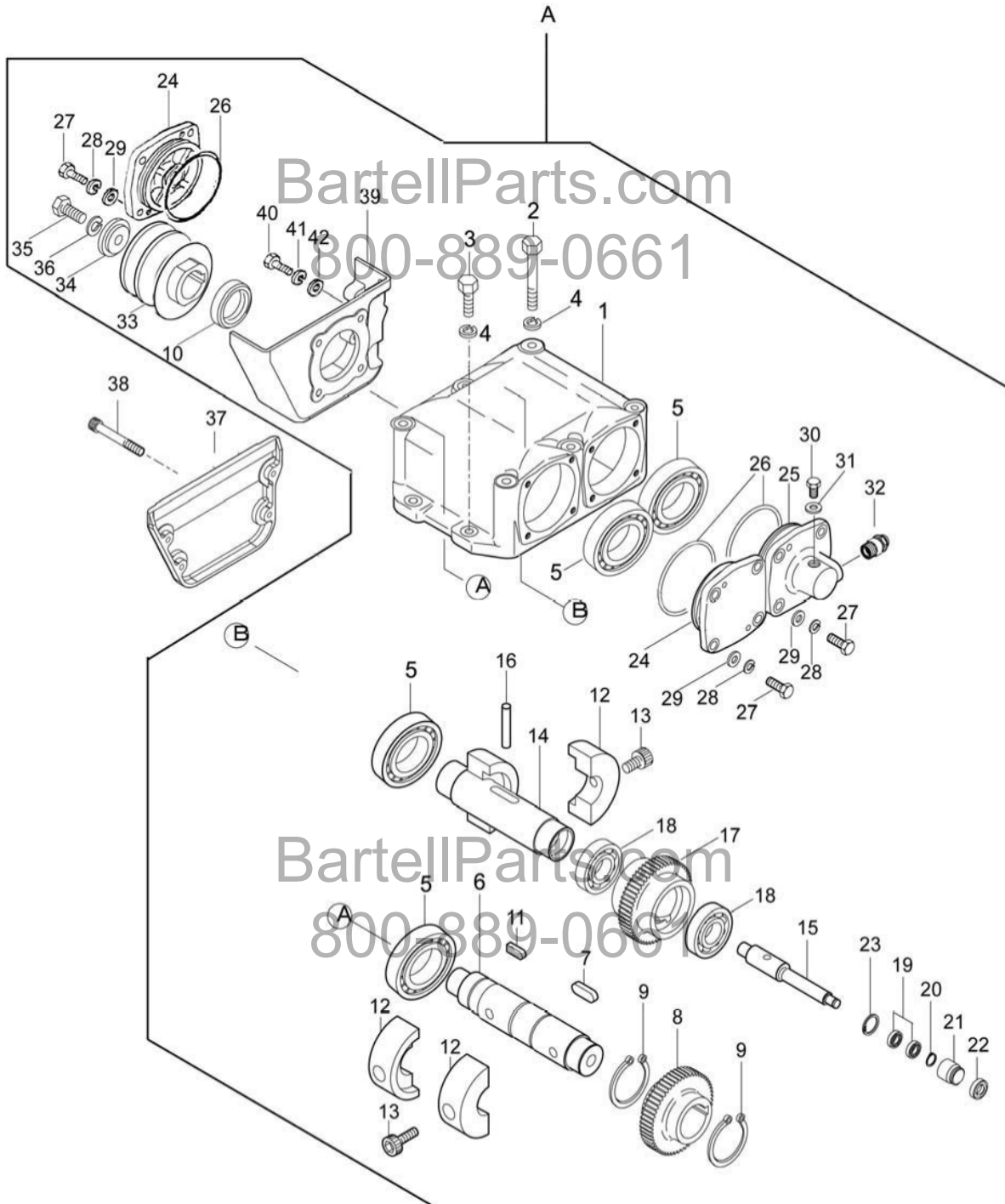
BODY: BR4600 – PARTS LIST 2

Item #	Part #	Description	QTY	Remarks
1	CPC-350-01B	ENGINE	1	
2	CPC-350-02B	BASE	1	
3	CPC-350-03B	BELT COVER (IN)	1	
4	CPC-350-04B	BELT COVER (OUT)	1	
5	CPC-350-05B	CLUTCH ASSY.	1	
6	CPC-350-06B	KEY 7x7x35	1	
7	CPC-350-07B	WASHER	1	
8	CPC-350-08B	SW M10	1	
9	CPC-350-09B	SOCKET HEAD BOLT M10x30T	1	
10	CPC-350-10B	SOCKET HEAD BOLT M8x25T	4	
13	CPC-350-13B	BOLT M10x45T	4	
14	CPC-350-14B	SW M10	4	
15	CPC-350-15B	PW M10	4	
16	CPC-350-16B	BOLT M6x15T	4	
19	CPC-350-18B	HOLDER, DUST COVER	2	
20	CPC-350-20B	DUST COVER	1	
21	CPC-350-21B	BOLT M10x100T	2	
22	CPC-350-22B	BOLT M10x100T	2	
23	CPC-350-23B	GUARD FRAME	1	
24	CPC-350-24B	BOLT M14x30T	4	
25	CPC-350-25B	SW & PACKING M14	4	
26	CPC-350-26B	V-BELT	1	

BartellParts.com
800-889-0661

PARTS LIST 3 – REVERSIBLE HYDRAULIC PLATE COMPACTORS

VIBRATOR

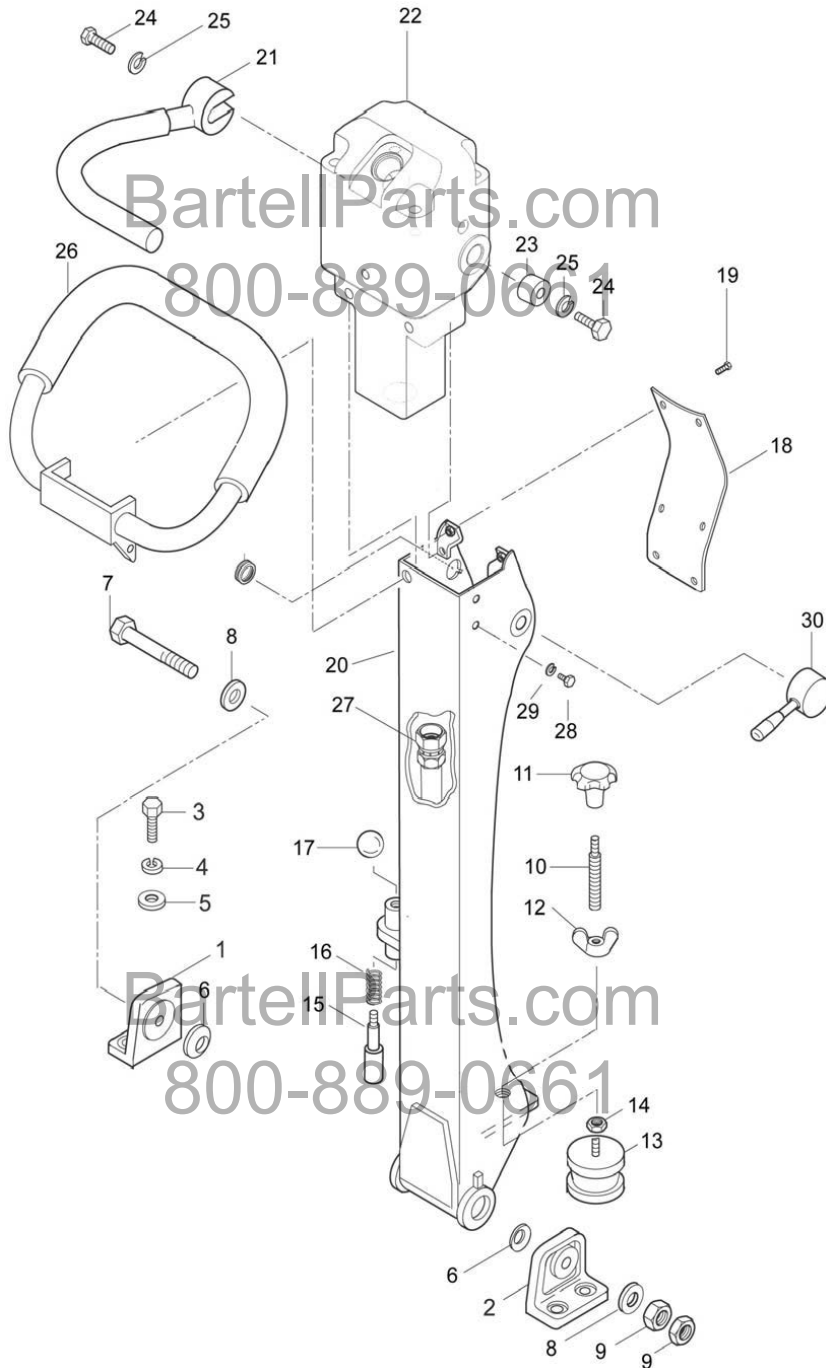


VIBRATOR: BR4600 – PARTS LIST 3

Item #	Part #	Description	QTY	Remarks
C	CPC-350-C	VIBRATOR ASSEMBLY	1	
1	CPC-350-01C	VIBRATOR CASE	1	
2	CPC-350-02C	BOLT M14x150T	6	
3	CPC-350-03C	BOLT M14x50T	4	
4	CPC-350-04C	SW & PACKING M14	10	
5	CPC-350-05C	ROLLER BEARING NJ310 C3	4	
6	CPC-350-06C	ROTARY SHAFT, DRIVE	1	
7	CPC-350-07C	KEY 16x10x40	1	
8	CPC-350-08C	GEAR (DRIVE)	1	
9	CPC-350-09C	STOP RING S-55	2	
10	CPC-350-10C	OIL SEAL SB-50720	1	
11	CPC-350-11C	KEY 12x8x30	1	
12	CPC-350-12C	ECCENT ROTATOR	4	
13	CPC-350-13C	SOCKET HEAD BOLT M16x1.5x30	2	
		SOCKET HEAD BOLT M16x1.5x40		
14	CPC-350-14C	ROTARY SHAFT, DRIVEN	1	
15	CPC-350-15C	PISTON ROD	1	
16	CPC-350-16C	KNOCK PIN 10x70	1	
17	CPC-350-17C	GEAR (DRIVEN)	1	
18	CPC-350-18C	BEARING 6911	2	
19	CPC-350-19C	BEARING 6000ZZ	2	
20	CPC-350-20C	STOP RING S-10	1	
21	CPC-350-21C	PISTON	1	
22	CPC-350-22C	OIL SEAL USH-22	1	
23	CPC-350-23C	STOP RING R-26	1	
24	CPC-350-24C	BEARING COVER	2	
25	CPC-350-25C	CYLINDER	1	
26	CPC-350-26C	O-RING 106x3.1	3	
27	CPC-350-27C	BOLT M10x25T	12	
28	CPC-350-28C	SW M10	12	
29	CPC-350-29C	PWM10	1	
30	CPC-350-30C	BOLT M8x12T	1	
31	CPC-350-31C	PACKING 8	1	
32	CPC-350-32C	ELBOW	1	
33	CPC-350-33C	PULLEY	1	
34	CPC-350-34C	WASHER, PULLEY	1	
35	CPC-350-35C	BOLT M12x40T	1	
36	CPC-350-36C	SW M12	1	
37	CPC-350-37C	BELT COVER (LOWER-OUT)	1	
38	CPC-350-38C	SOCKET HEAD BOLT M8x35	4	
39	CPC-350-39C	BELT COVER (LOWER-IN)	1	
40	CPC-350-40C	BOLT M10x35T	4	
41	CPC-350-41C	SW M10	4	
42	CPC-350-42C	PWM10	4	

PARTS LIST 4 – REVERSIBLE HYDRAULIC PLATE COMPACTORS

CONTROL



CONTROL: BR4600 – PARTS LIST 4

Item #	Part #	Description	QTY	Remarks
1	CPC-350-01D	HANDLE BRACKET	1	
2	CPC-350-02D	HANDLE BRACKET (R)	1	
3	CPC-350-03D	BOLT M12x35T	4	
4	CPC-350-04D	SW M12	4	
5	CPC-350-05D	PW M12	4	
6	CPC-350-06D	CONICAL SPRING WASHER M16	4	
7	CPC-350-07D	BOLT M16x180T	1	
8	CPC-350-08D	PW M16	2	
9	CPC-350-09D	LOCK NUT M16	1	
10	CPC-350-10D	SPINDLE M16	1	
11	CPC-350-11D	KNOB	1	
12	CPC-350-12D	WING NUT M16	1	
13	CPC-350-13D	SHOCK ABSORBER	1	
14	CPC-350-14D	NUT M10	1	
15	CPC-350-15D	HANDLE STOPPER	1	
16	CPC-350-16D	SPRING/HANDLE (1.4x18x44)	1	
17	CPC-350-17D	BALL GRIP 32D-M10	1	
18	CPC-350-18D	HANDLE COVER	1	
19	CPC-350-19D	BOLT M6x10T	8	
20	CPC-350-20D	HANDLE	1	
21	CPC-350-21D	TRAVEL LEVER	1	
22	CPC-350-22D	HAND PUMP AY	1	
23	CPC-350-23D	HANDLE BOSS	1	
24	CPC-350-24D	BOLT M8x25T	2	
25	CPC-350-25D	SW M10	2	
26	CPC-350-26D	GRIP	1	
27	CPC-350-27D	OIL HOSE	1	
28	CPC-350-28D	BOLT M10x25T	2	
29	CPC-350-29D	SW & PACKING M10	2	
30	CPC-350-30D	THROTTLING LEVER AY	1	
30-1	CPC-350-30-1D	THROTTLE WIRE	1	

HAND PUMP ASSEMBLY: BR4600 – PARTS LIST 5

Item #	Part #	Description	QTY	Remarks
1	CPC-350-01E	COVER (HAND PUMP)	1	
2	CPC-350-02E	CYLINDER CP (PUMP)	1	
3	CPC-350-03E	PISTON CP (PUMP)	1	
4	CPC-350-04E	CONTROL SHAFT (PUMP)	1	
5	CPC-350-05E	BUSH	2	
6	CPC-350-06E	BEARING 607ZZ	2	
7	CPC-350-07E	O-RING 12x2.4	2	
8	CPC-350-08E	PIN 7x30	1	
9	CPC-350-09E	PISTON SPRING (PUMP)	1	
10	CPC-350-10E	STOP PLUG M8x30T	1	
11	CPC-350-11E	SPRING PIN (6x25, 4x25)	1	
12	CPC-350-12E	BREATHER (PUMP)	1	
12-1	CPC-350-12-1E	PACKING 20	1	
13	CPC-350-13E	STOPPER 12X80	1	
14	CPC-350-14E	PLUG G1/4	1	
15	CPC-350-15E	SOCKET HEAD BOLT M8x35T	4	
16	CPC-350-16E	OIL SEAL 22.4x4.8	1	
17	CPC-350-17E	PACKING 24	1	
18	CPC-350-18E	O-RING 70x20	1	
19	CPC-350-19E	O-RING 19x2.5	2	
20	CPC-350-20E	O-RING 24x2.5	2	
21	CPC-350-21E	PACKING 8	1	
1	CPC-350-01E	COVER (HAND PUMP)	1	
2	CPC-350-02E	CYLINDER CP (PUMP)	1	

BartellParts.com
800-889-0661