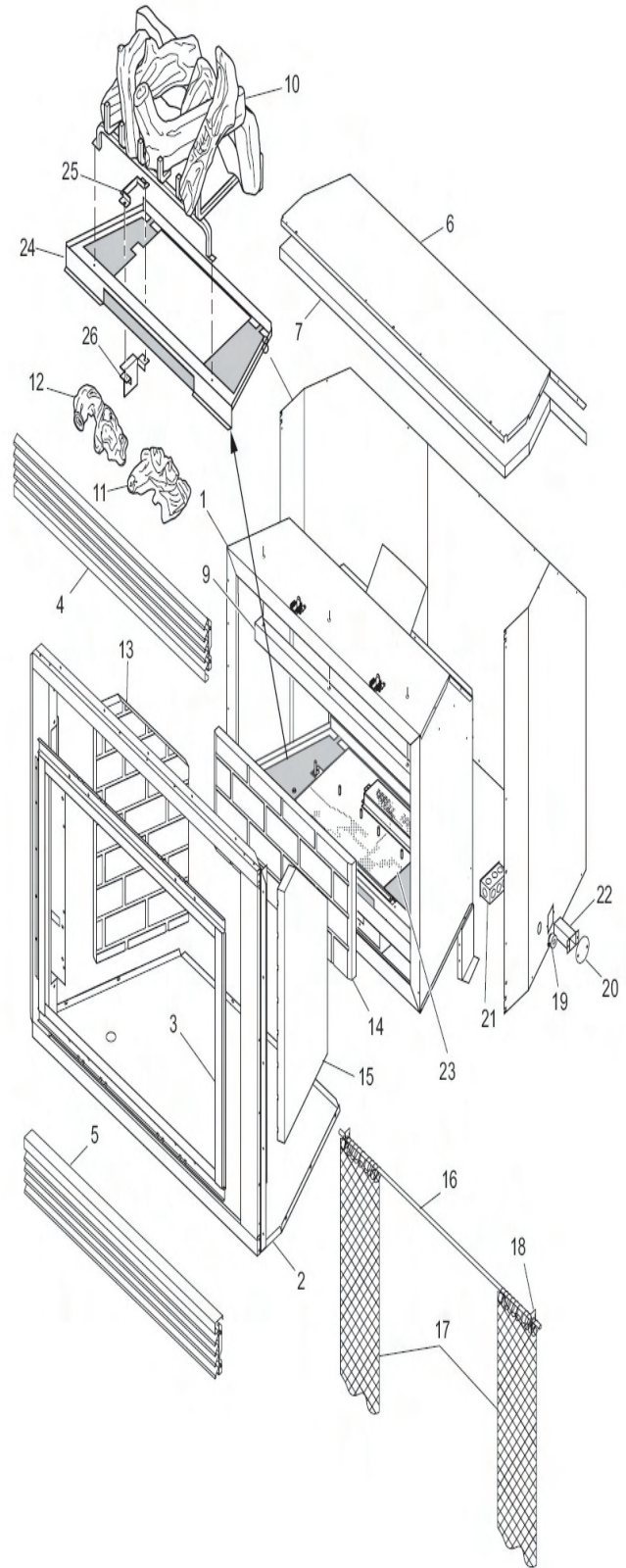


FMI Victorian 42" Direct Vent Firebox

MODELS: VC42N, VC42P, VC42NB, VC42PB, VC42NH, VC42PH, VC42NE, VC42PE, VC42NBE, VC42PBE, VC42NHE, VC42PHE

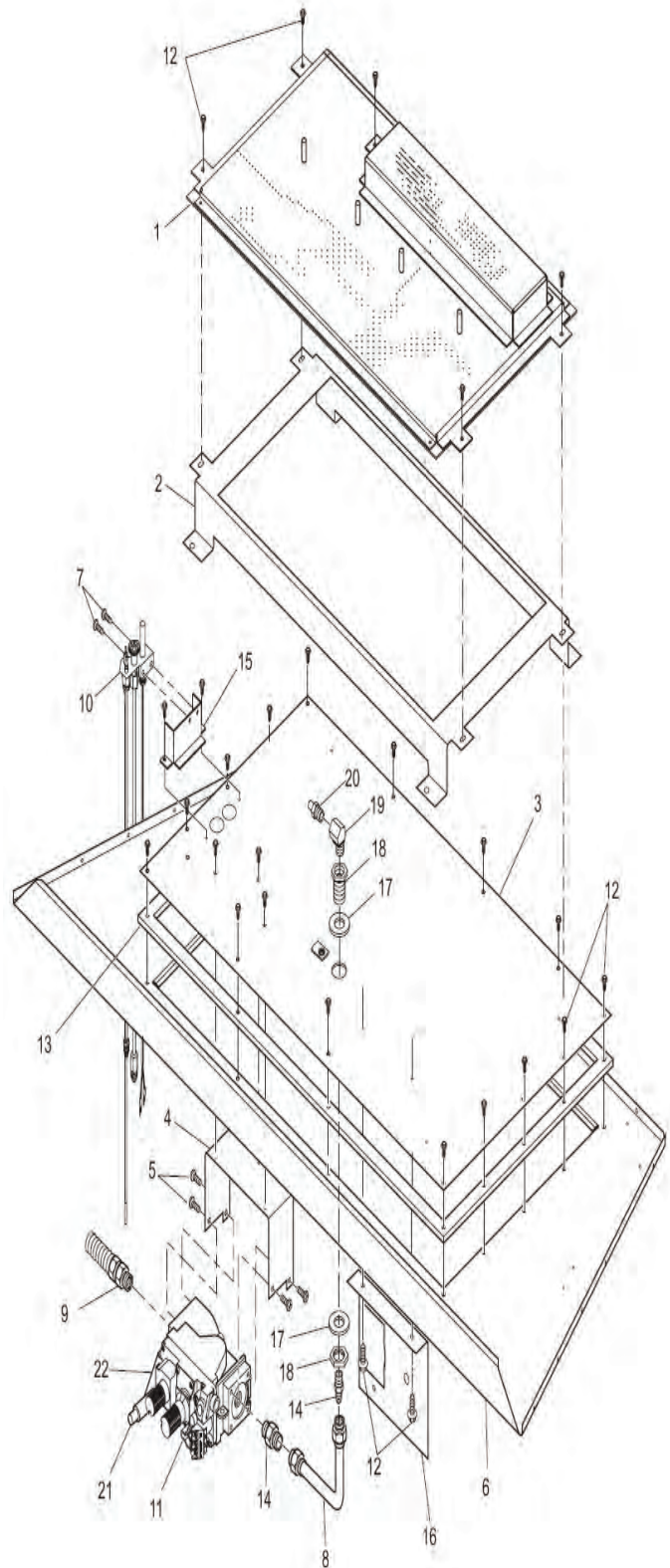
Part Number	Description
1	** Firebox Assembly
2	** Face Weldment
3	108328-01 Door Assembly
4	108331-01 Top Louver Assembly
5	108331-02 Bottom Louver Assembly
6	** Fireplace Top
7	** Fireplace Top Insulation
8	** Fireplace Surround
9	109082-01 Heat Shield
10	116216-01 Log Set
11	116338-01 Burner Log Right
12	116339-01 Burner Log Left
13	111299-02 Left Refractory Stacked
	111302-02 Left Refractory Herringbone
14	111297-02 Rear Refractory Stacked
	111300-02 Rear Refractory Herringbone
15	111298-02 Right Refractory Stacked
	111301-02 Right Refractory Herringbone
16	108455-01 Screen Rod
17	107840-01 Screen
18	11418 Push-On Nut
19	14123 Strain Relief
20	21171 Gas Knock-Out Cover
21	24353 Handy Box Assembly
22	24460 Gas Conduit Assembly
23	116211-03 Burner Assembly NG
	116211-04 Burner Assembly LP
24	116375-01 Plenum
25	118372-01 Top Pilot Shield
26	120945-01 Bottom Pilot Shield
PARTS AVAILABLE NOT SHOWN	
	25487 Lava Rock/Bag Assembly
	116388-01 Grate Finial



FMI Victorian 42" Direct Vent Millivolt Burner Assembly

MODELS: VC42N, VC42P, VC42NB, VC42PB, VC42NH, VC42PH

Part Number	Description
1	** Burner Pan Assembly
2	** Base Grate
3	** Firebox Base Bottom
4	26808 Valve Bracket
5	11107 Screw, #10-32 x 1/4 Zinc
6	** Firebox Bottom
7	11102 Screw, #8-32 x 3/8 Zinc
8	121877-01 Aluminum Tubing Assembly
9	111288-02 Flex Gas Line
10	108084-02 Pilot Assembly NG
	108084-03 Pilot Assembly LP
	108084-05 Pilot Assembly (-HA Models)
11	14389 Natural Gas Valve
	14390 Propane/LP Gas Valve
	117370-01 Natural Gas High Altitude Valve
12	11165 Screw, #10 x 5/8 Zinc
13	111913-01 Burner Base Gasket
14	14500 Brass Fitting
15	116345-01 Pilot Bracket
16	26827 Switch Bracket
17	11226 Flat Washer 7/8" ID x 2" OD
18	11214 Bulkhead Fitting with Washer
19	14296 Elbow 3/8"
20	24874 Burner Orifice #32 NG
	23098 Burner Orifice #50 LP
21	14492 Piezo Ignitor
22	14511 Piezo Bracket
PARTS AVAILABLE NOT SHOWN	
	108085-03 Pilot Orifice #62 (-HA Models Only)



FMI Victorian 42" Direct Vent Elec. Ign. Burner Assembly

MODELS: VC42NE, VC42PE, VC42NBE, VC42PBE, VC42NHE, VC42PHE

Part Number	Description	
1	**	Burner Pan Assembly
2	**	Base Grate
3	**	Bottom Firebox Base
4	26808	Valve Bracket
5	11107	Screw, #10-32 x 1/4 Zinc
6	**	Firebox Bottom
7	11102	Screw, #8-32 x 3/8 Zinc
8	121877-01	Aluminum Tubing Assembly
9	111288-02	Flex Gas Line
10	108866-01	Electric Pilot Assembly NG
	108866-02	Electric Pilot Assembly LP
11	14569	Electric Valve Assembly NG
	14570	Electric Valve Assembly LP
12	11165	Screw #10 x 5/8 Zinc
13	**	Burner Base Gasket
14	14500	Brass Fitting
15	116345-01	Pilot Bracket
16	26827	Switch Bracket
17	11226	Flat Washer, 7/8" ID x 2" OD
18	11214	Bulkhead Fitting with Washer
19	14296	Elbow, 3/8"
20	24874	Gas Orifice #32 Natural
	23098	Gas Orifice #50 Propane/LP
21	11186	Screw, #8 x 32 x 1 Zinc
22	110286-01	Ignition Module
23	11147	Screw, 10-24 x 1/2 BLK
24	14129	Transformer, 24V Class 2
25	116659-01	Crimp-on Terminal Ring
26	108863-01	24" Supply Connect Plug
27	14149	Spade 1/4 F RT. Angle
28	14126	16 GA Green Wire
29	14134	18 GA Black Wire
30	14520	Spade 1/4 Female Connector
31	17223	Magnet
32	23416	Electronic Components Board
33	11201	Nut, 8-32 Hex Zinc

