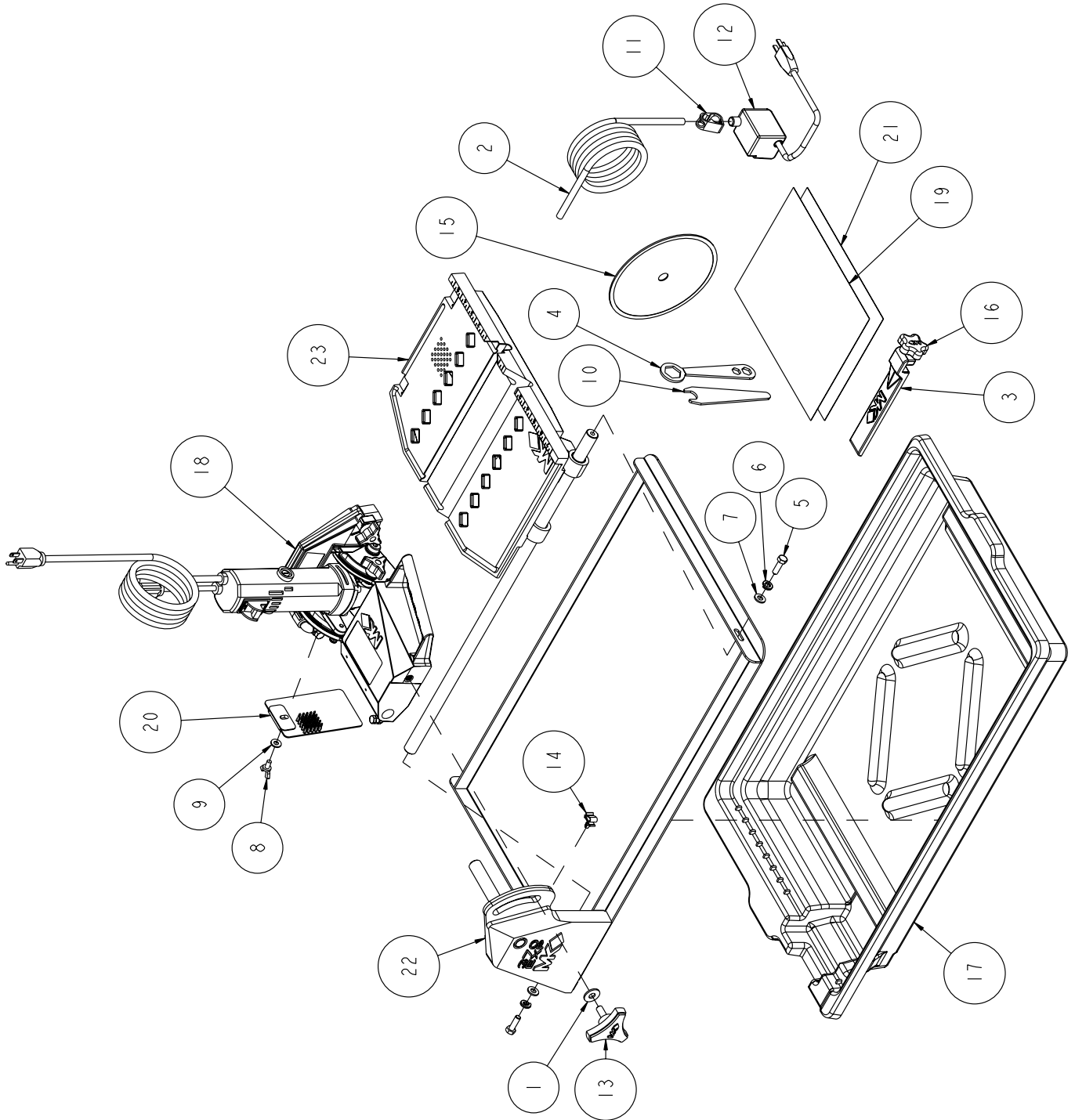


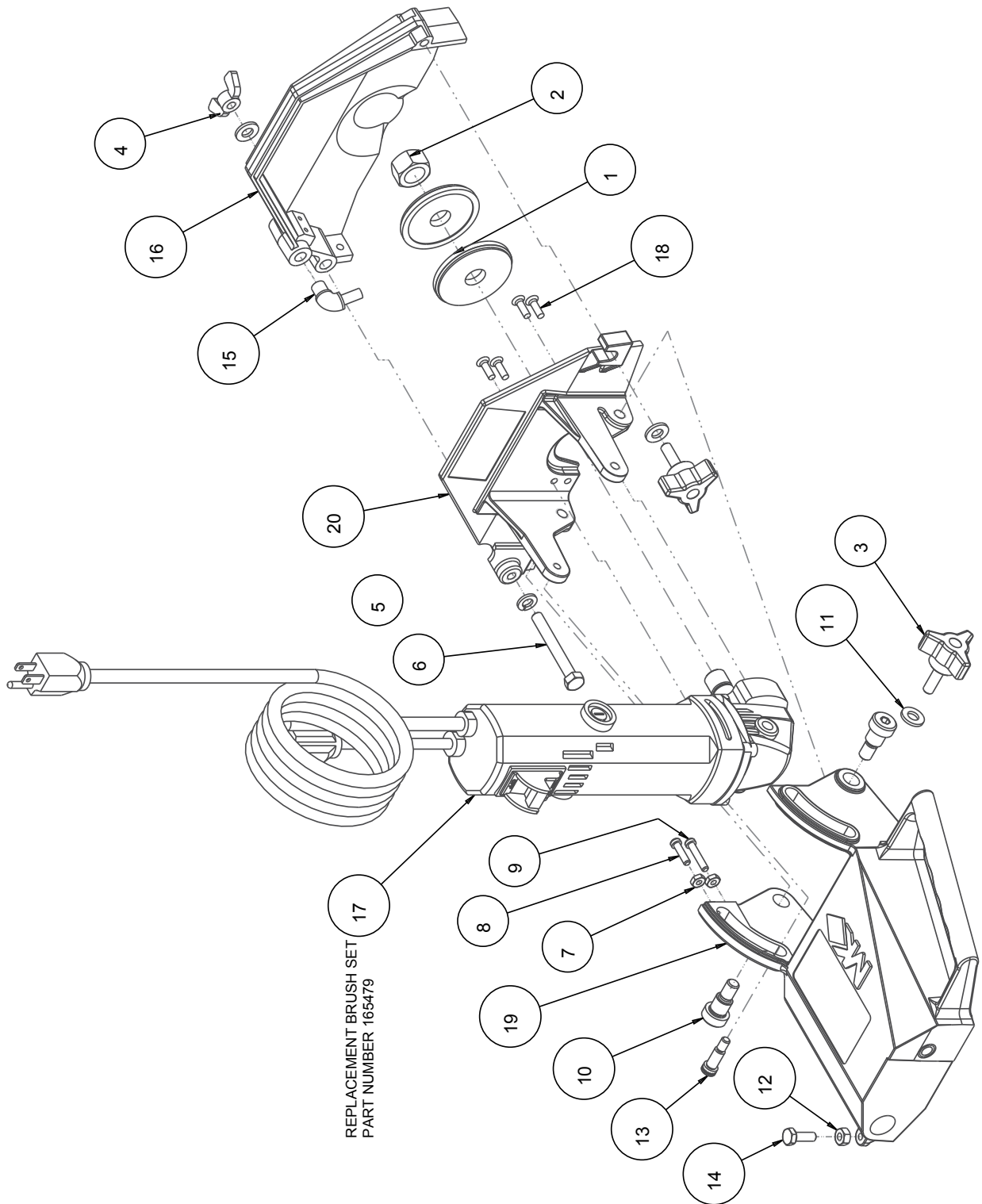
TILE SAW ASSEMBLY PART# 159943



TILE SAW ASSEMBLY PART# 159943

| ITEM. | DESCRIPTION | QTY. | PART # |
|-------|---|------|-----------|
| 1 | WASHER, FLAT CUT 3/8 | 1 | 101360 |
| 2 | HOSE, WATER VINYL 1/2 X 3/8 TSAW (6.0') | 1 | 132951 |
| 3 | CASTING, ACC RIP GUIDE - COMP | 1 | 134551 |
| 4 | WRENCH, TILES AW, 15/16 - 18 X 1 | 2 | 134684 |
| 5 | SCREW, HEX HD, 5/16 - 18 X 1 | 2 | 151743 |
| 6 | WASHER, LOCK, SPLIT, 5/16 | 2 | 151747 |
| 7 | WASHER, FLAT, SAE, 5/16 | 2 | 151754 |
| 8 | SCREW, WING, 1/4 - 20 X 1/2 | 1 | 151888 |
| 9 | WASHER, 1/4 SAE FLAT | 1 | 151915 |
| 10 | WRENCH, TILES AW, 11/16 OPEN END | 1 | 153450 |
| 11 | CLAMP, HOSE 1/2 - 3/4 | 1 | 154394 |
| 12 | PUMP, WATER, 115V 60HZ | 1 | 155987-VP |
| 13 | KNOB, TRI PLASTIC, 1" | 1 | 156770-01 |
| 14 | CLIP, CORD 1/4" PUSH MOUNT | 1 | 157259 |
| 15 | MK-HDTCM WET 7 X 060 X 7/8 CONT | 1 | 157913 |
| 16 | KNOB, RUBBER, 1/4 -20 X 3/4" LONG | 1 | 159428-1 |
| 17 | PAN, WATER MK-370EXP/1080 | 1 | 160041 |
| 18 | ASSY, CUTTING HEAD, 120V | 1 | 160042 |
| 19 | OWNERS MANUAL MK-370EXP | 1 | 160084 |
| 20 | GUARD, SPLASH | 1 | 160310 |
| 21 | SHEET, WARNING LABELS, TILE SAW | 1 | 166012 |
| 22 | ASSY, FRAME, 370EXP | 1 | 167450 |
| 23 | ASSY, TABLE, 370EXP | 1 | 168025 |

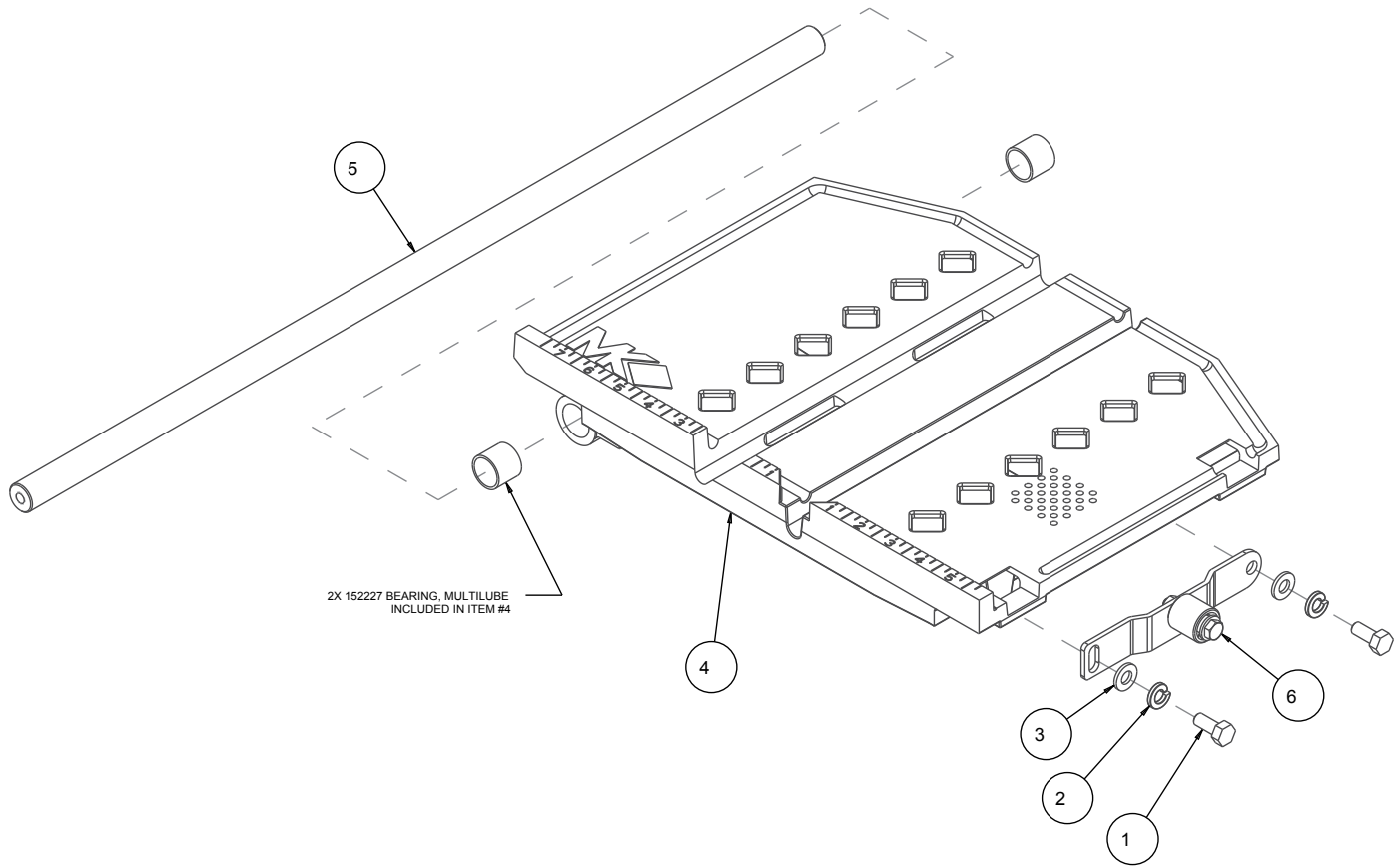
CUTTING HEAD ASSEMBLY PART# 160042



CUTTING HEAD ASSEMBLY PART# 160042

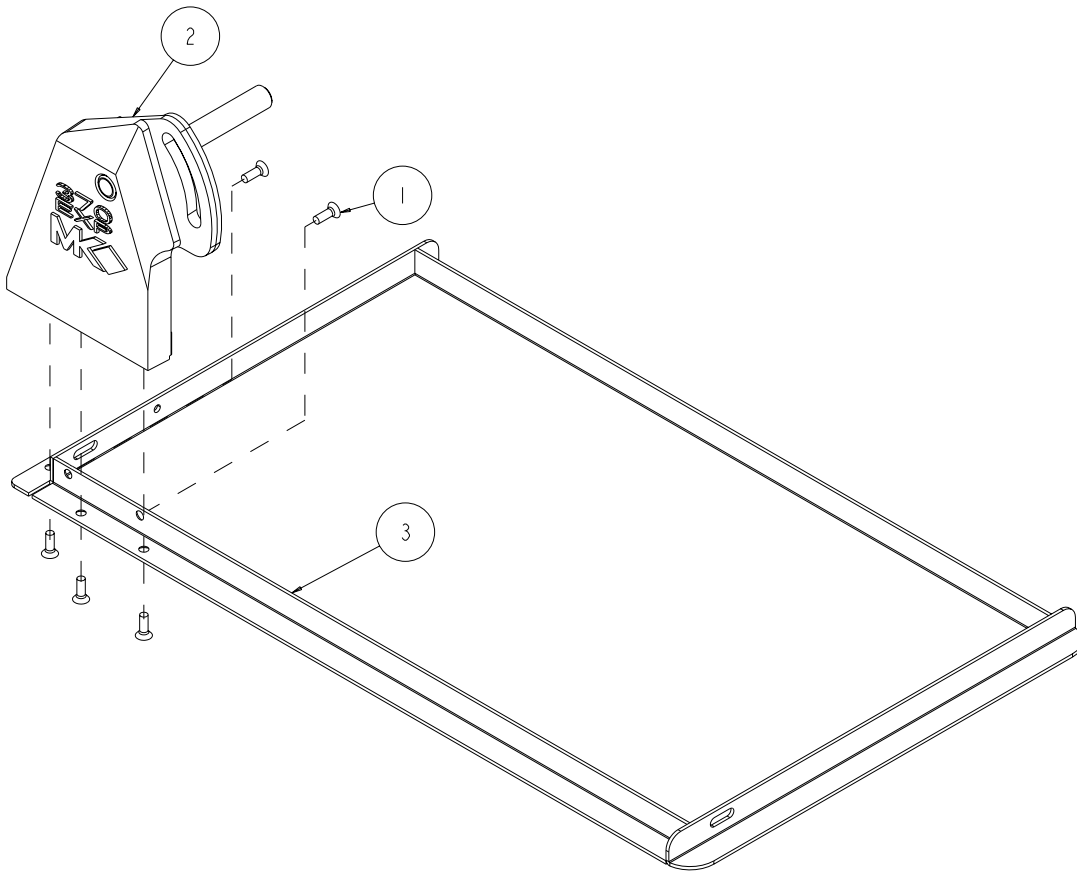
| ITEM. | DESCRIPTION | QTY. | PART # |
|-------|---------------------------------------|------|----------|
| 1 | FLANGE, OUTER, 2-3/8 | 2 | 135830 |
| 2 | NUT,HEX, 5/8 - 18 | 1 | 135848 |
| 3 | KNOB, DAVIES, 5/16 - 18 X 1 | 2 | 151681 |
| 4 | NUT, WING, NYLK, 5/16 - 18 | 1 | 151746 |
| 5 | WASHER, LOCK, SPLIT, 5/16 | 1 | 151747 |
| 6 | BOLT, HEX HD TAP, 5/16 - 18 X 2 - 1/2 | 1 | 151748 |
| 7 | NUT, HEX, 10-24 | 2 | 151749 |
| 8 | SCREW, FIL HD, SLT, #10 - 24 X 3/4 | 1 | 151750 |
| 9 | SCREW, FIL HD, SLT, #10 - 24 X 1 | 1 | 151751 |
| 10 | SCREW, SHOULDER, 1/2 X 1/2 | 2 | 151753 |
| 11 | WASHER, FLAT, SAE, 5/16 | 3 | 151754 |
| 12 | NUT, HEX, 1/4 - 20 | 1 | 1515893 |
| 13 | SCREW SHOULDER 5/16 X 5/8 | 1 | 152137 |
| 14 | SCREW HEX HD, 1/4 - 20 X 3/4 | 1 | 152370 |
| 15 | ELBOW, 1/8 MNPT X 1/4 BARB 90DEG | 1 | 154652 |
| 16 | CASTING, BLD GRD, 7 INCH BLADE (COMP) | 1 | 154811 |
| 17 | MTR, ELECT, 7.4 AMP 120V | 1 | 156428-R |
| 18 | SCREW, FLAT HD 10 -32 X 5/8" | 4 | 157554 |
| 19 | CASTING, COMMON PART, CTTG HD-C | 1 | 159937 |
| 20 | CASTING, MTR MOUNT, COMMON-COMP | 1 | 159941 |

TABLE ASSEMBLY PART# 168025



| Item | Description | Part # | Qty |
|------|---------------------------------------|--------|-----|
| 1 | SCREW, 5/16-18 X 3/4 HEX HEAD MACHINE | 151369 | 2 |
| 2 | WASHER, LOCK, SPLIT, 5/16 | 151747 | 2 |
| 3 | WASHER, FLAT, SAE, 5/16 | 151754 | 2 |
| 4 | CASTING, TABLE, 370/770EXP-COMP | 159939 | 1 |
| 5 | BAR, GUIDE 3/4 DIA | 159942 | 1 |
| 6 | ASSEMBLY, ROLLER WHEEL | 168023 | 1 |

FRAME ASSEMBLY PART# 167450



| ITEM. | DESCRIPTION | QTY. | PART # |
|-------|---|------|--------|
| 1 | SCREW, 1/4 -20 X /34 FLAT HEAD PHILLIPS MACHINE | 5 | 154657 |
| 2 | CASTING, POST MOUNT, COMP | 1 | 167448 |
| 3 | WELDMENT, FRAME | 1 | 167449 |

| ITEM | NUMBER | DESCRIPTION | |
|------|-----------|----------------------------------|---|
| 1. | 158434 | MK-225, 7 x 5/8 Arbor |  |
| 2. | 139311 | MK-215, 7 x 5/8 Arbor |  |
| 3. | 153293 | MK-315, 7 x 5/8 Arbor |  |
| 5. | 134577-MK | Dual 45° Flat Angle Guide |  |
| 6. | 134569-MK | 90° Protractor |  |
| 7. | 152792 | Dressing Stone |  |
| 8. | 152610 | Ground Fault Circuit Interrupter |  |
| 9. | 160131-MK | Stand |  |