

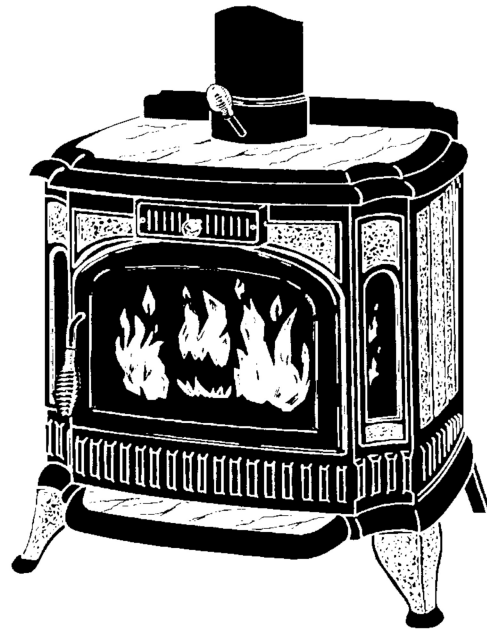


INSTALLATION AND OPERATION MANUAL

**EPA CERTIFIED
CATALYTIC
FREESTANDING
WOODSTOVE**

RETAIN THESE
INSTRUCTIONS
FOR FUTURE
REFERENCE

**Ce manuel d'installation
est disponible en francais,
simplement en faire la
demande.**



MODEL T150C

THIS APPLIANCE MUST BE INSTALLED BY A QUALIFIED TECHNICIAN.
READ MANUAL THOROUGHLY BEFORE INSTALLATION.



P/N 775008M, Rev. Q, 05/02

REPLACEMENT PARTS FOR MODEL: T150C

Part No.	Model	Description
		Door Parts
C15220		Door Assembly, Cast (Handle Included)
27M83		Gasket Kit, 1/2" Medium Rope
26M23		Gasket Kit, Side Window 1/8" Lytherm ⊗
27M81		Gasket Kit, Door Glass Channel
18280		Glass, Door 9 5/8 X 14 1/4" (Glass gasket not included)
18281		Glass, Side 3 X 9 5/8" (Glass gasket not included)
T10263		Clip, Glass (door-order 10, side windows 2 each)
26M80		Handle Assembly
T153		Hinge Pin, Threaded 5/16"-18
10362		Torque Plate (Latch)
		Module Assembly Parts
26M67		Module, Draft Control
		Component Parts
28M09		Gasket, 1/2" Medium Density Rope
26M25		Leg Set (4)
T100-11		Stack Assembly, 6" (Also requires 28M09 Gasket Kit)
26M78		Top, Cast Stove
		Heat Shield Parts
29108		Shield, Bottom Heat
29110		Shield, Rear Heat
		Firebox Parts (See Brick Diagram For Brick Part Number)
Z-SC-103		Combustor, 5 X 3 1/2" (Set Of 2) Includes Gasket
26M79		Housing, Combustor (Also requires 28M09 Gasket)
26M24		Damper Kit, Bypass (includes damper, linkage and rod)
14155		Gasket, Interam 1/8" For Combustor - Requires 2
8076		Handle Bypass, Spring Coil
		Miscellaneous Parts
18201		Cerawool Pad, For Marble - Requires 1
1051		Cerawool Strip, For Marble - Requires 4
775008M		Installation / Operation Manual
		Fan System (Optional Kit)
26M22		Power Cord Kit
14440		Dial -A- Temp (Rheostat)

For the location of the nearest Lennox Hearth Products Dealer for replacement parts, contact:

Lennox Hearth Products
1110 West Taft Avenue
Orange, CA 92865

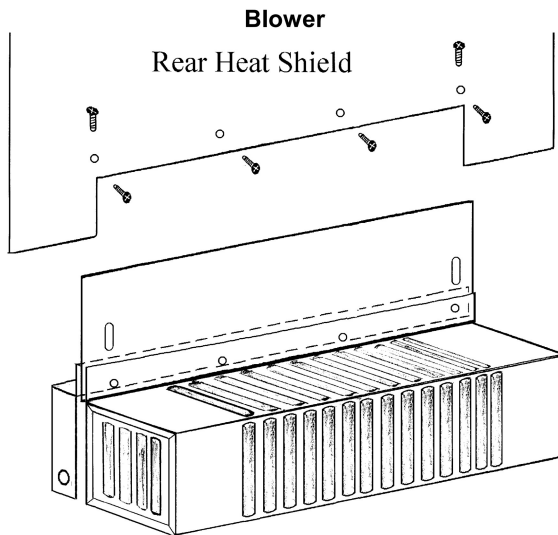
OPTIONAL ACCESSORIES: T150C

Note: Install and use accessories per instructions provided with the accessory kit.

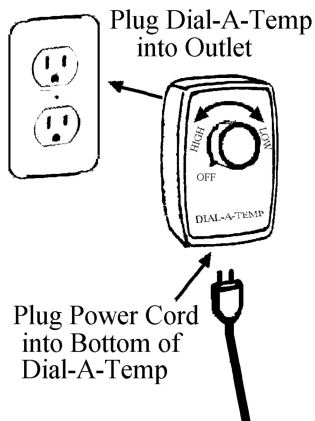
Catalog #	Model	Description	Notes
14M36	BK-T15	Blower Kit	Includes Dial-A-Temp for Variable Speed Control
14M21	SSK	Stove Stat Kit	Thermally Controls Blower
14M34	MKT15-GRY	Marble Set-Gray	Accent for stove top and ash lip
14M35	MKT15-GRN	Marble Set-Green	Accent for stove top and ash lip
H0310	TP-FS	Temperature Probe	
70K99	TSPK-B	Touch-up Spray Paint Kit, Black	12 oz Spray Can

Blower Kit (BK-T15)

A Blower Kit (includes rheostat for variable speed control) is available for increased heat circulation.

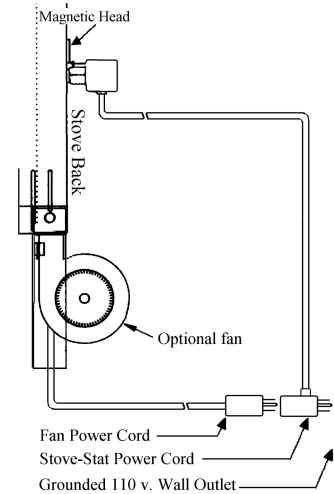


Variable Speed Control, Dial-A-Temp



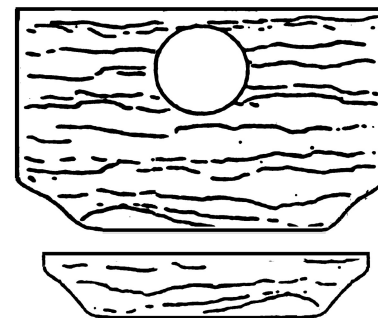
Stove-Stat Kit (SSK)

To automate the blower system an additional Stove-Stat kit can be purchased. The Stove-Stat is a heat sensor switch that will automatically turn on the blower when the stove is hot and automatically turn it off when the stove is cool.



Marble Set

Available in Green (MKT15-GRN). or Gray (MKT15-GRY).



TEMPERATURE PROBE (TP-FS)

Optional marble cannot be used when temperature probe is used.

Temperature Probe

