

TABLE OF CONTENTS

WRS5200/WRSPUDF Ride-On Roller Screed

| | |
|--|---|
| Table of Contents..... | 2 |
| Parts Ordering Procedures..... | 3 |
| Explanation of Code in Remarks Column..... | 4 |
| Suggested Spare Parts | 5 |

Component Drawings

| | |
|--|-------|
| Nameplate And Decals Assembly (Screed) | 6-9 |
| Nameplate And Decals Assembly (Power Unit) | 10-11 |
| Operator Seat Assembly | 12-13 |
| Throttle Assembly | 14-15 |
| Stack Valve Assembly..... | 16-17 |
| Speed Control Valve Assembly..... | 18-19 |
| Solenoid Valve Assembly..... | 20-21 |
| Drive Tube Motor Assembly | 22-23 |
| Control Box Assembly | 24-25 |
| Control Box Lid Assembly..... | 26-27 |
| Emergency Stop/Module/Eng.Igniter Assy..... | 28-29 |
| Power Unit Frame And Lights Assembly | 30-31 |
| Lift Bale Assembly | 32-33 |
| Fuel Hose Assembly..... | 34-35 |
| LPG Fuel Hose Assembly | 36-37 |
| LPG Fuel Components Assembly | 38-39 |
| Battery Assembly..... | 40-41 |
| Hydraulic Tank/Cooler Assembly | 42-43 |
| Hydraulic Pump Assembly..... | 44-45 |
| Control Valve Assembly | 46-47 |
| Loop Flushing Valve Assembly | 48-49 |
| Strike Tube Motor Assembly | 50-51 |
| Radiator Guard Assembly | 52-53 |
| Radiator Assembly | 54-55 |
| Engine And Air Cleaner Mounting Assembly.... | 56-57 |
| Pump/Housing/Coupler Assembly..... | 58-59 |
| Choke And Throttle Assembly | 60-61 |
| Engine Assembly | 62-63 |
| Power Cable/Engine Controller Assembly | 64-65 |
| Pressure Washer Assembly..... | 66-67 |
| Caster Assembly | 68-69 |
| Tarp Assemblies | 70-71 |

Frame Section Drawings

| | |
|---|---------|
| 5' Frame Assembly (Operator End) | 72-73 |
| 5' Frame Assembly (Engine End) | 74-75 |
| 3', 4', 6', 8' And 9' Frame Section Assemblies .. | 76-77 |
| WRS1400LP Assembly | 78-79 |
| WRS1600LP Assembly | 80-81 |
| WRS1800LP Assembly | 82-83 |
| WRS2200LP Assembly | 84-85 |
| WRS2600LP Assembly | 86-87 |
| WRS2800LP Assembly | 88-89 |
| WRS3200LP Assembly | 90-91 |
| WRS3600LP Assembly | 92-93 |
| WRS4000LP Assembly | 94-95 |
| WRS4400LP Assembly | 96-97 |
| WRS4800LP Assembly | 98-99 |
| WRS5200LP Assembly | 100-101 |
| Shaft Puller Assembly | 102-103 |
| Screed Length Parts Matrix..... | 104-105 |

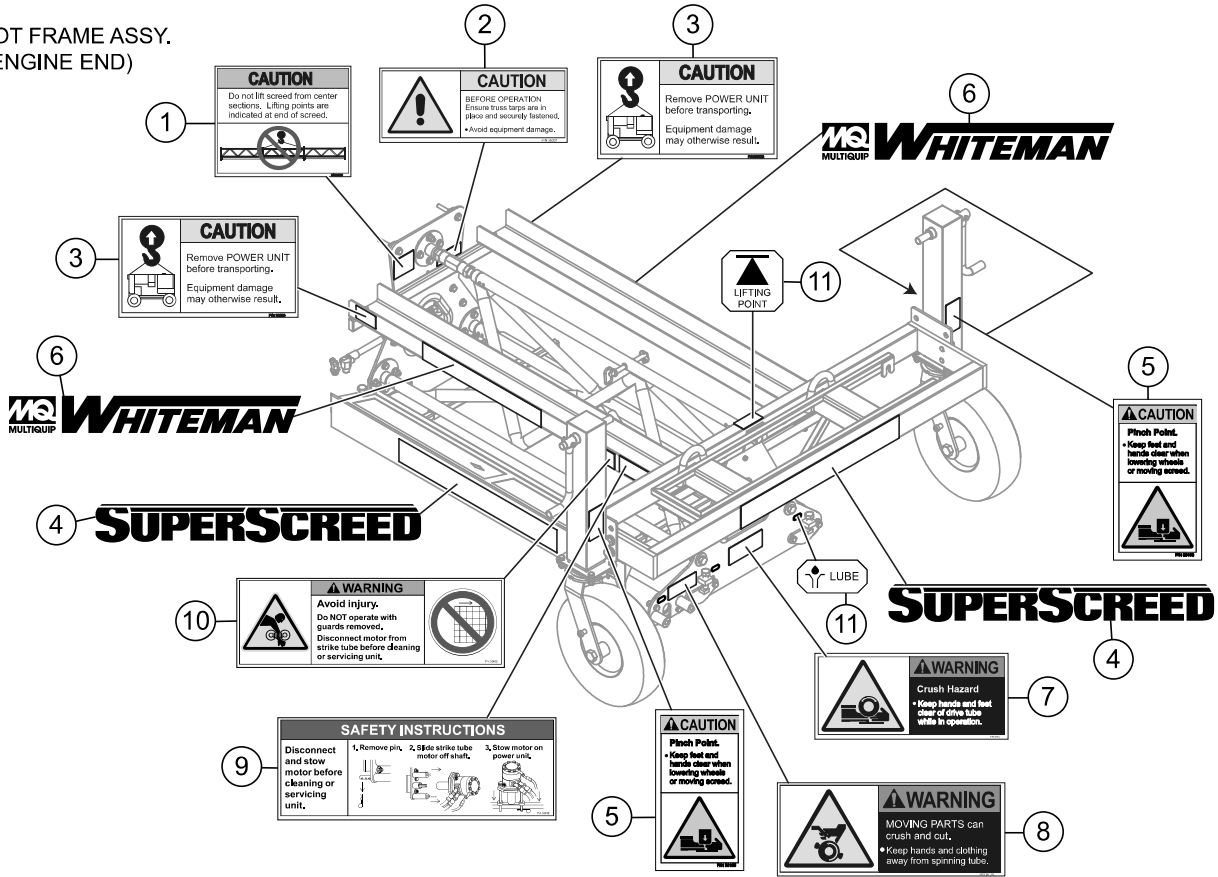
| | |
|--|-----|
| Terms And Conditions of Sale — Parts | 106 |
|--|-----|

NOTICE

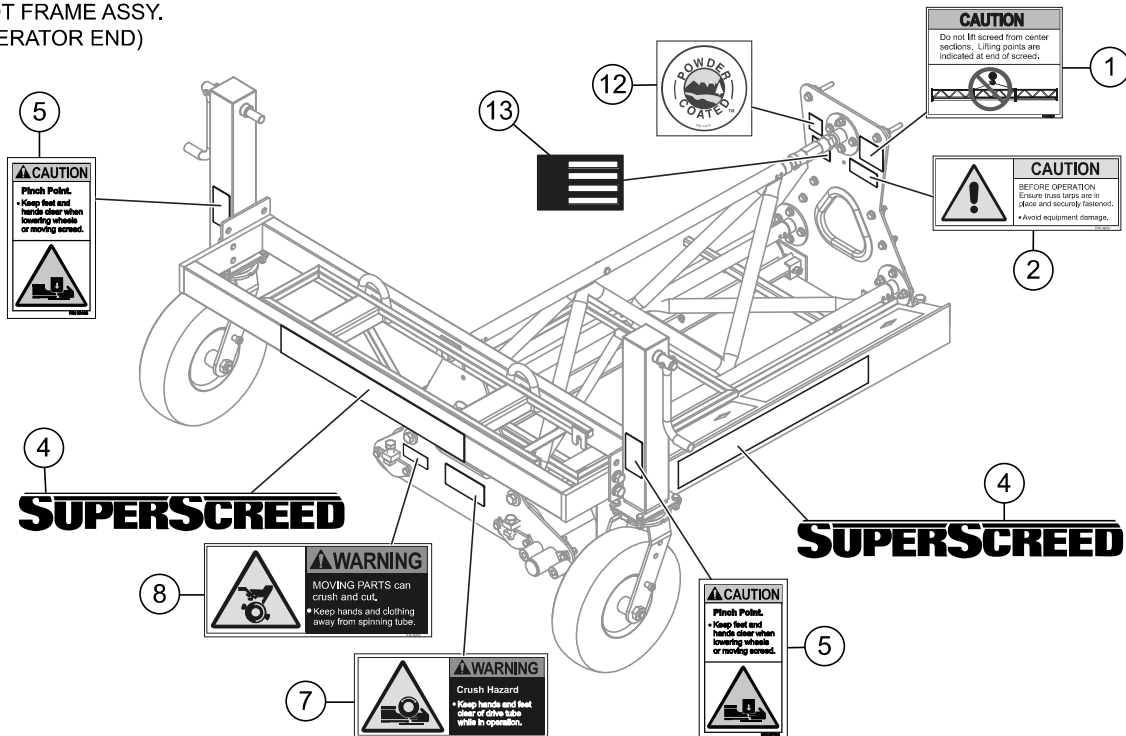
Specifications are subject to change without notice.

NAMEPLATE AND DECALS ASSY. (SCREED)

5 FOOT FRAME ASSY. (ENGINE END)



5 FOOT FRAME ASSY. (OPERATOR END)



NAMEPLATE AND DECALS ASSY. (SCREED)

| <u>NO.</u> | <u>PART NO.</u> | <u>PART NAME</u> | <u>QTY.</u> | <u>REMARKS</u> |
|------------|-----------------|---------------------------------|-------------|------------------------|
| 1 | 36096 | DECAL: NO CENTER LIFT-SHORT | 2 | |
| 2 | 36097 | DECAL: TARP INSTRUCTIONS | 2 | |
| 3 | 36093 | DECAL: REMOVE POWER UNIT | 2 | |
| 4 | 26401 | DECAL: SUPER SCREED | 4 | |
| 5 | 36103 | DECAL: PINCH POINTS | 8 | |
| 6 | 16563 | DECAL: MQ WHITEMAN | 2 | |
| 7 | 36094 | DECAL: CRUSH POINT | 2 | |
| 8 | 36100 | DECAL: MOVING PARTS | 2 | |
| 9 | 36482 | DECAL: REMOVE STRIKE TUBE MOTOR | 1 | |
| 10 | 36483 | DECAL: GUARD WARNING | 1 | |
| 11 | 16925 | DECAL: LUBE AND LIFT | 1 | |
| 12 | 13118 | DECAL: POWDER COATED | 1 | |
| 13 | | NAME PLATE, SERIAL PLATE..... | 1..... | CONTACT MQ PARTS DEPT. |

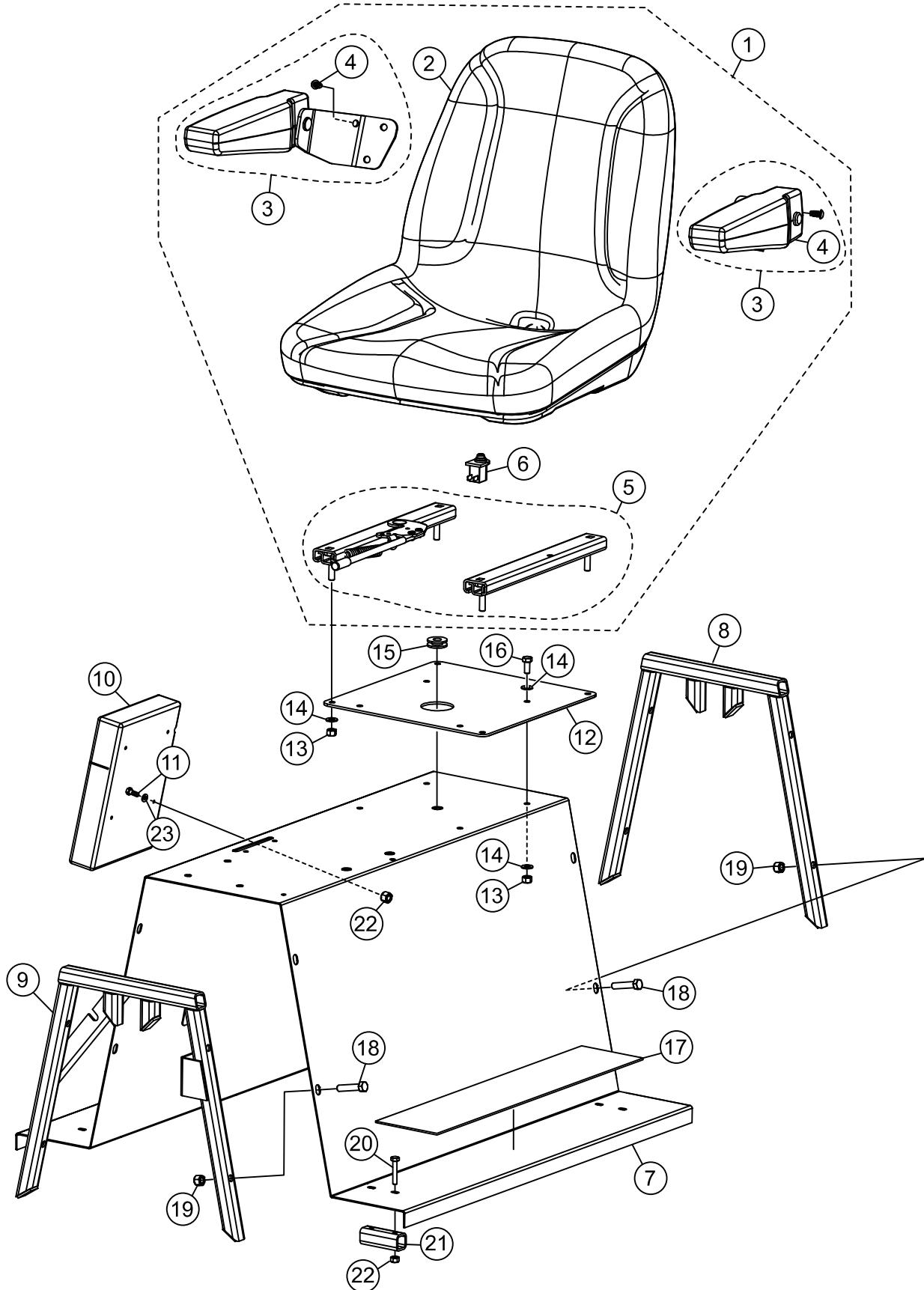
NAMEPLATE AND DECALS ASSY. (SCREED)

| <u>NO.</u> | <u>PART NO.</u> | <u>PART NAME</u> | <u>QTY.</u> | <u>REMARKS</u> |
|------------|-----------------|--------------------------------------|-------------|--------------------------------------|
| 1 | 36104 | DECAL: SUPER SCREED | 1 | |
| 2 | 36826 | DECAL: OPERATOR PRESENCE | 1 | |
| 3 | 36484 | DECAL: DRIVE TUBE DIRECTION | 1 | |
| 4 | 36481 | DECAL: HORN | 1 | |
| 5 | 35137 | DECAL: READ MANUAL, ASK FOR TRAINING | 1 | |
| 6 | 16563 | DECAL: MQ MULTIQUIP/WHITEMAN..... | 2 | CUT TO FIT |
| 7 | 16926 | DECAL: WRS SETUP | 1 | |
| 8 | 16562 | DECAL: WRS-5200 | 2 | |
| 9 | 36483 | DECAL: GUARD WARNING | 2 | |
| 10 | 36095 | DECAL: LIFTING-LONG | AR..... | EACH FRAME SECTION REQUIRES QTY 1 |
| 11 | 36099 | DECAL: SAFETY | 1 | |
| 12 | 36485 | DECAL: STRIKE TUBE | 1 | |

NAMEPLATE AND DECALS ASSY. (POWER UNIT)

| <u>NO.</u> | <u>PART NO.</u> | <u>PART NAME</u> | <u>QTY.</u> | <u>REMARKS</u> |
|------------|-----------------|--------------------------------------|-------------|------------------------|
| 1 | 20525 | DECAL: WARNING "PROP 65" | 1 | |
| 2 | 36699 | DECAL: WARNING GASOLINE | 1 | |
| 3 | 23587 | DECAL: UNLEADED GASOLINE | 1 | |
| 4 | 23875 | DECAL: HOT COOLANT | 1 | |
| 5 | | NAMEPLATE: SERIAL PLATE W/A-CE | 1 | CONTACT MQ PARTS DEPT. |
| 6 | | NAMEPLATE: EMISSIONS PLATE | 1 | CONTACT MQ PARTS DEPT. |
| 7 | 36093 | DECAL: REMOVE POWER UNIT | 1 | |
| 8 | 23808 | DECAL: HOT SURFACES | 1 | |
| 9 | 36090 | DECAL: VENTILATION | 1 | |
| 10 | 16908 | DECAL: PRESSURE WASHER | 1 | |
| 11 | 36998 | DECAL: OVERLAY OF CONSOLE | 1 | |

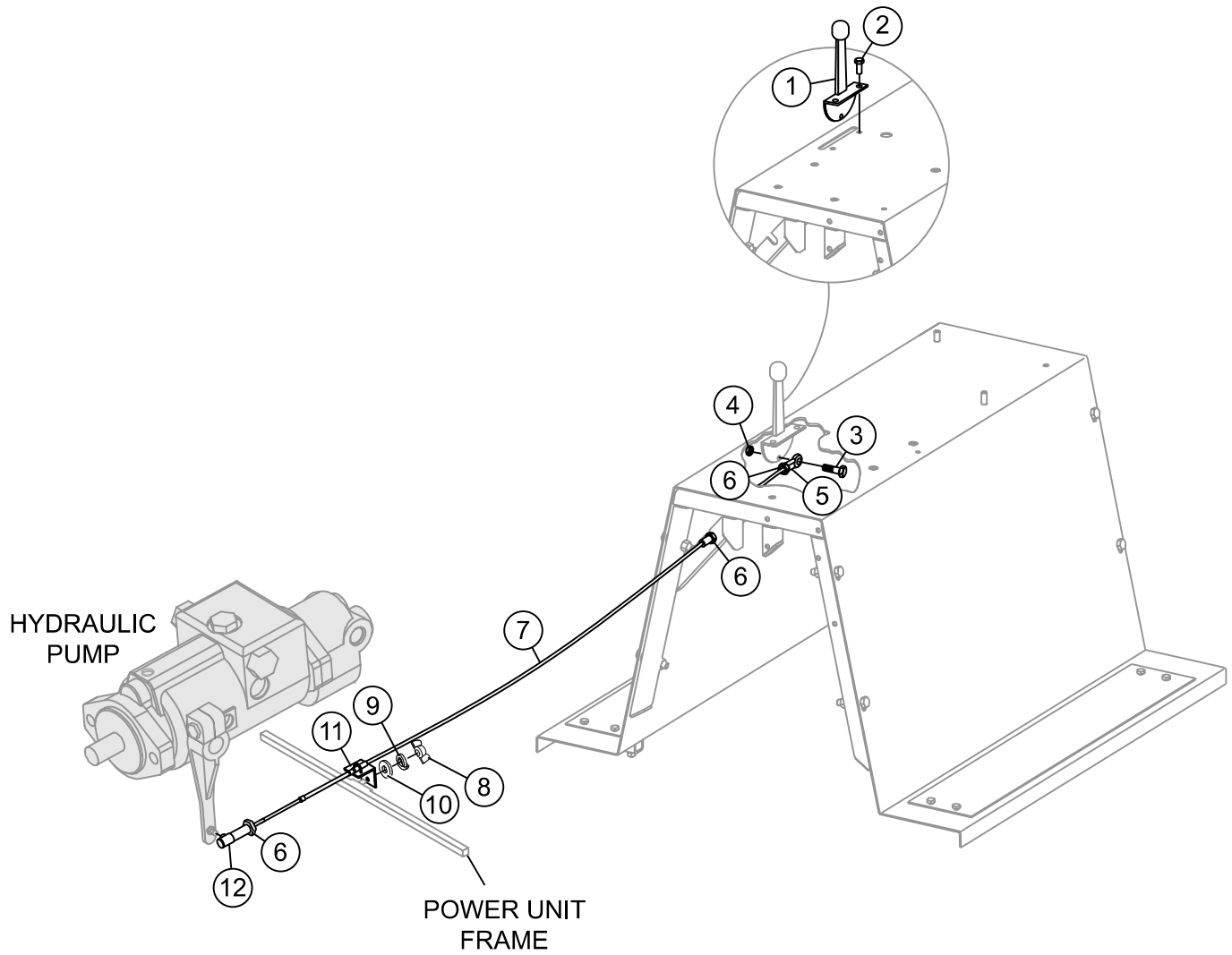
OPERATOR SEAT ASSY.



OPERATOR SEAT ASSY.

| <u>NO.</u> | <u>PART NO.</u> | <u>PART NAME</u> | <u>QTY.</u> | <u>REMARKS</u> |
|------------|-----------------|--------------------------------------|-------------|--------------------|
| 1 | 21852 | SEAT, MICHIGAN ADJUST. W/ ARMS | 1..... | INCLUDES ITEMS W/% |
| 2% | 21860 | SEAT, BASIC-MICHIGAN | 1 | |
| 3% | 21868 | ARMREST KIT, SEAT | 1..... | INCLUDES ITEMS W/# |
| 4%# | 21869 | SCREW, CAP 5/16-18 X 5/8" SELF TAP. | 6 | |
| 5% | 21865 | ADJUSTER KIT, SEAT | 1 | |
| 6% | 21870 | KILL SWITCH, SEAT | 1 | |
| 7 | 16748 | GUARD, RIDER | 1 | |
| 8 | 16506 | MOUNT, RIDER GUARD | 1 | |
| 9 | 36824 | MOUNT, RIDER GUARD CABLE END | 1 | |
| 10 | 29057 | DOCUMENT BOX | 1 | |
| 11 | 0730 | SCREW, HHC 1/4-20 X 1" | 4 | |
| 12 | 36804 | PLATE, SEAT | 1 | |
| 13 | 5283 | NUT, NYLOC 5/16-18 | 8 | |
| 14 | 0300 B | WASHER, FLAT SAE 5/16" | 12 | |
| 15 | 19468 | GROMMET | 1 | |
| 16 | 0655 | SCREW, HHC 5/16-18 X 3/4" | 4 | |
| 17 | 16402 | GRID, NON SKID | 2 | |
| 18 | 9154 | SCREW, HHC 3/8-16 X 1-3/4" | 8 | |
| 19 | 10133 | NUT, NYLOC 3/8-16 | 8 | |
| 20 | 5277 | SCREW, HHC 1/4-20 X 1-1/2" | 8 | |
| 21 | 16504 | STABILIZER, OPERATOR | 4 | |
| 22 | 10024 | NUT, NYLOC 1/4-20 | 12 | |
| 23 | 0948 | WASHER, FLAT SAE 1/4" | 4 | |

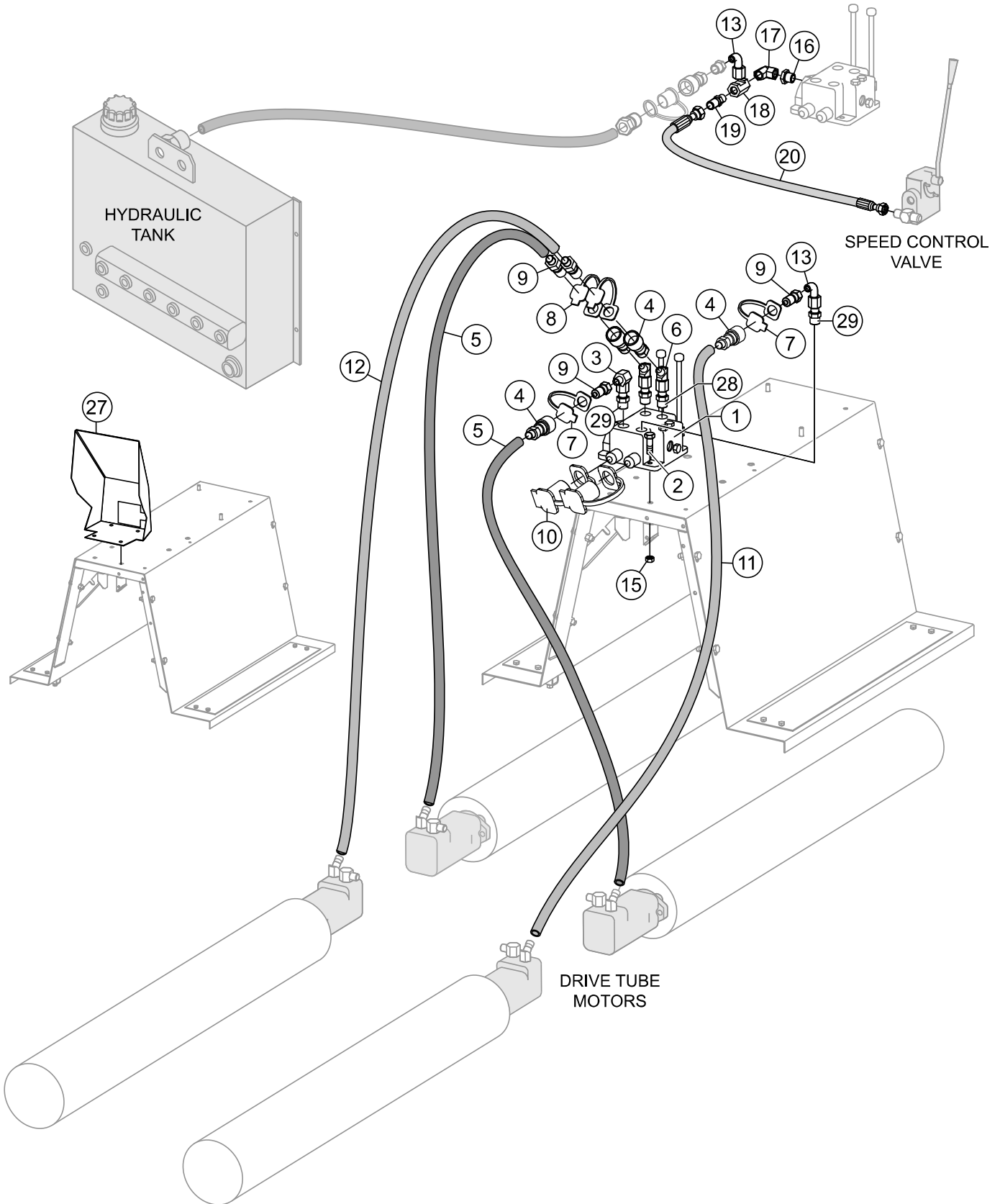
THROTTLE ASSY.



THROTTLE ASSY.

| <u>NO.</u> | <u>PART NO.</u> | <u>PART NAME</u> | <u>QTY.</u> | <u>REMARKS</u> |
|------------|-----------------|-----------------------------------|-------------|----------------|
| 1 | 11379 | HAND THROTTLE CONTROL | 1 | |
| 2 | 4514 | SCREW, HHC 1/4-20 X 5/8 GRD 5 | 2 | |
| 3 | 3513 | SCREW, HHF 10-32 X 1" | 1 | |
| 4 | 10019 | NUT, NYLOC 10-32 | 1 | |
| 5 | 2153 | ROD END, 10-32 FEMALE RH. | 1 | |
| 6 | 0937 | NUT, FULL HEX 10-32 ZN PLAT. | 3 | |
| 7 | 26884 | CABLE, TUBE SPEED 16FT | 1 | |
| 7 | 16394 | CABLE, TUBE SPEED 50FT | 1 | |
| 8 | 16500 | NUT, WING 1/2-13 | 1 | |
| 9 | 5054 A | WASHER, LOCK 1/2" MED. | 1 | |
| 10 | 16630 | WASHER, FLAT SAE 1/2" HI STRENGTH | 1 | |
| 11 | 16501 | MOUNT, CABLE | 1 | |
| 12 | 16396 | BALL JOINT, QUICK CONNECT | 1 | |

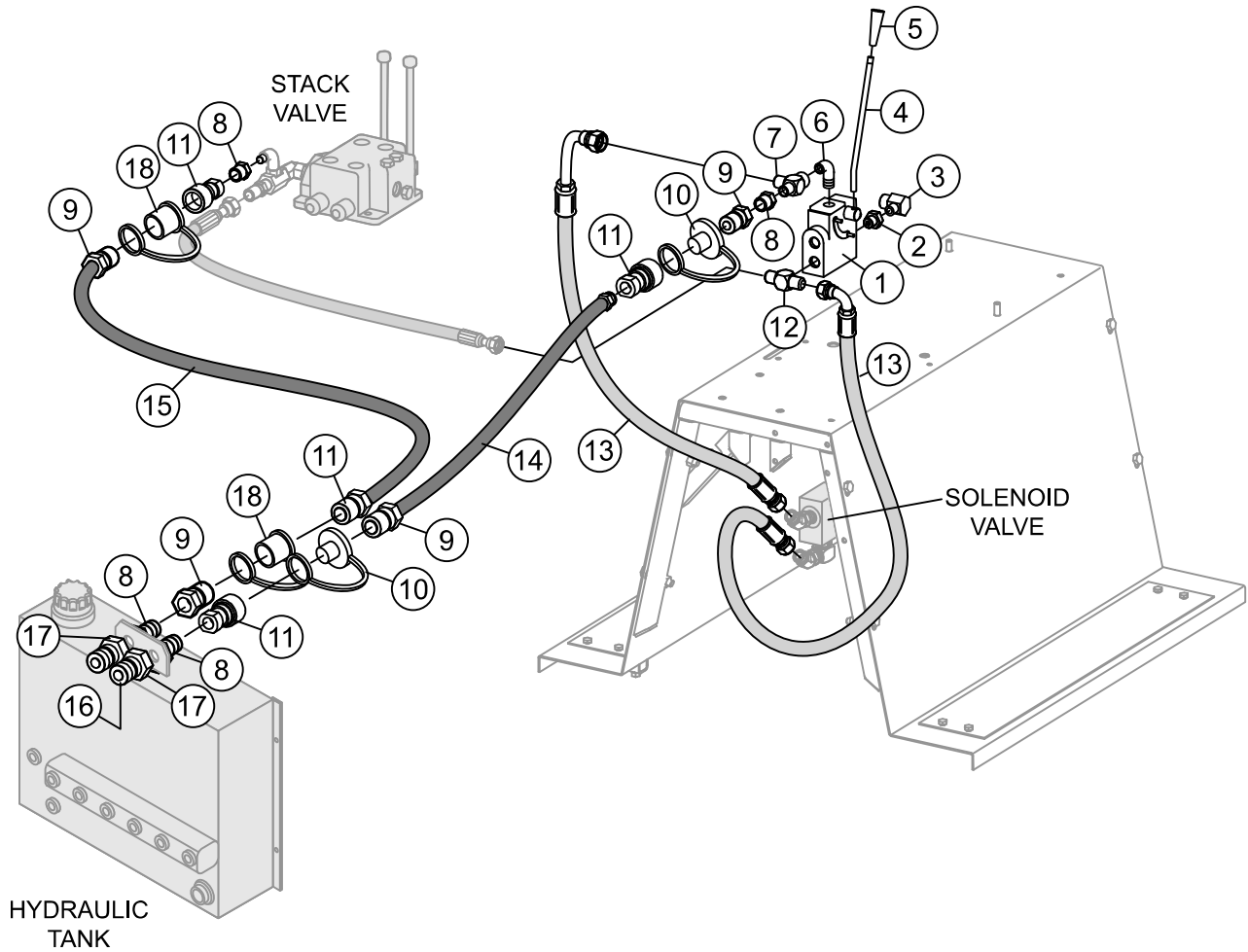
STACK VALVE ASSY.



STACK VALVE ASSY.

| <u>NO.</u> | <u>PART NO.</u> | <u>PART NAME</u> | <u>QTY.</u> | <u>REMARKS</u> |
|------------|-----------------|--------------------------------------|-------------|----------------|
| 1 | 16221 | VALVE, STACK | 1 | |
| 2 | 1023 | SCREW, HHC 3/8-16 X 1-1/4" GRD 5 | 3 | |
| 3 | 16588 | FITTING, 90° 10FJ - 1/2MP | 1 | |
| 4 | 16564 | FITTING, QD PARKER H4-62 FEM 1/2FP | 4 | |
| 5 | 16579 | HOSE, 60" OAL 1/2HOSE-8FJX8NP | 2 | |
| 6 | 16590 | FITTING, 45° 1/2MP-1/2MP | 2 | |
| 7 | 16568 | PLUG, DUST | 2 | |
| 8 | 16569 | CAP, DUST | 2 | |
| 9 | 16565 | FITTING, QD PARKER H4-63 MALE 1/2FP | 4 | |
| 10 | 16570 | COVER, 3/4" FEMALE | 2 | |
| 11 | 26883 | HOSE, 192" OAL 8MPX8FJ | 2 | |
| 12 | 16578 | HOSE, 594" OAL 1/2HOSE - 8MPX8FJ | 2 | |
| 13 | 16589 | FITTING, 90° 1/2MP-1/2MP | 2 | |
| 15 | 10133 | NUT, NYLOC 3/8-16 | 3 | |
| 16 | 16582 | FITTING, STR 12MO-1/2MP | 1 | |
| 17 | 11718 | FITTING, 90° 1/2FP-1/2FP | 1 | |
| 18 | 16583 | FITTING, TEE 8MP - 1/2FP - 1/2FP RUN | 1 | |
| 19 | 36687 | FITTING, STR 1/2MP X 10MJ LONG | 1 | |
| 20 | 36688 | HOSE ASSY. 1/2" ID X 8-3/4"L | 1 | |
| 27 | 36629 | GUARD, OPERATOR | 1 | |
| 28 | 16586 | FITTING, STR 8MO-1/2FP | 2 | |
| 29 | 16587 | FITTING, STR 10MJ-8MO | 2 | |

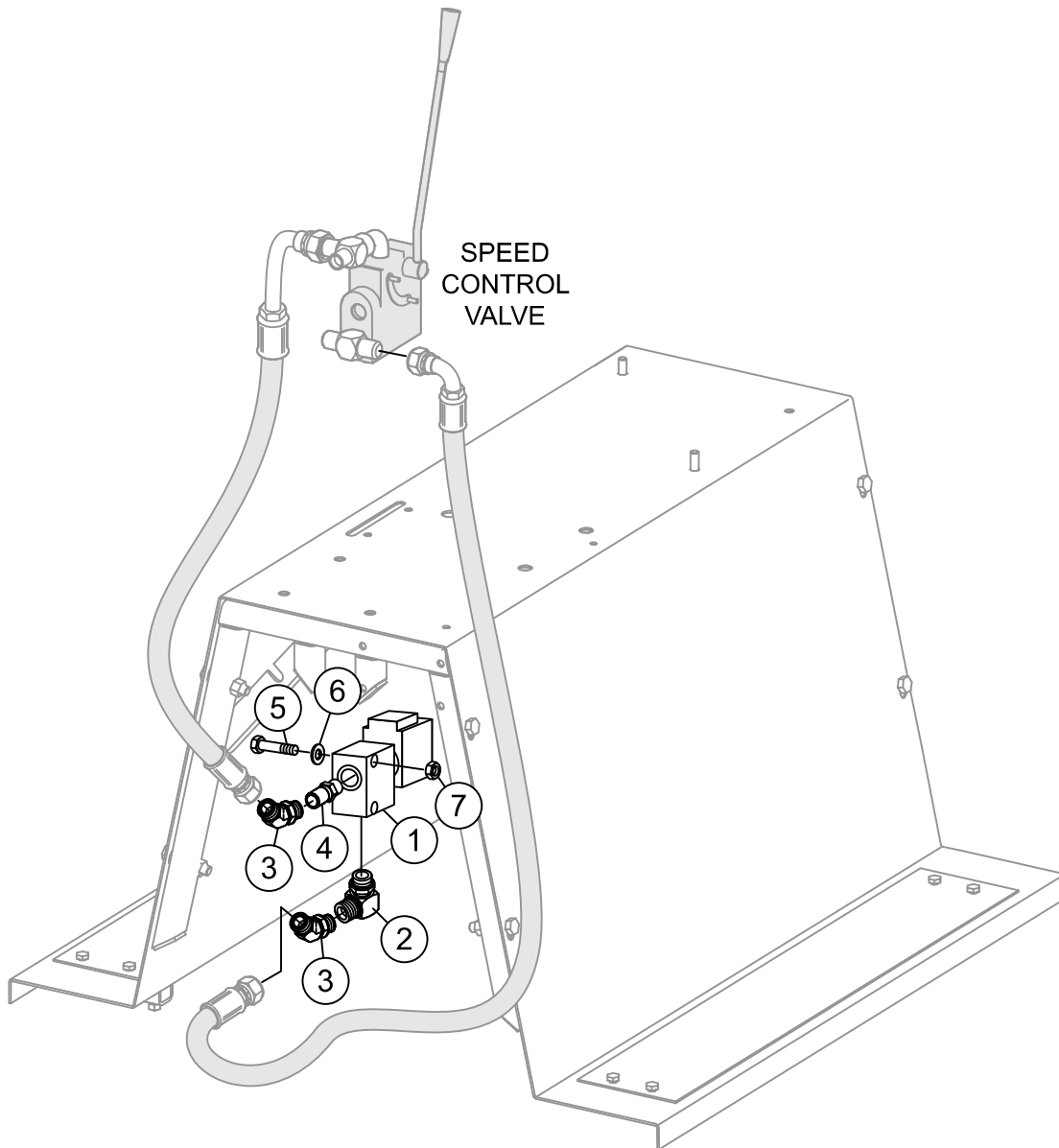
SPEED CONTROL VALVE ASSY.



SPEED CONTROL VALVE ASSY.

| <u>NO.</u> | <u>PART NO.</u> | <u>PART NAME</u> | <u>QTY.</u> | <u>REMARKS</u> |
|------------|-----------------|---------------------------------------|-------------|----------------|
| 1 | 16220 | VALVE, SPEED CONTROL | 1 | |
| 2 | 22146 | FITTING, STR -10MO X -10FJ | 1 | |
| 3 | 22145 | FITTING, 90° -12MO X -10MJ | 1 | |
| 4 | 16730 | HANDLE, SPEED CONTROL | 1 | |
| 5 | 16788 | HANDLE, KNOB, TAPERED | 1 | |
| 6 | 16589 | FITTING, 90° 1/2MP-1/2MP | 1 | |
| 7 | 36084 | FITTING, TEE 1/2FP - 10MJ - 1/2MP RUN | 1 | |
| 8 | 16585 | FITTING, BUSH 1/2FP-3/4MP | 4 | |
| 9 | 16567 | FITTING, QD PARKER H6-63 MALE 3/4FP | 4 | |
| 10 | 16571 | COVER, MALE 3/4" | 1 | |
| 11 | 16566 | FITTING, QD PARKER H6-62 FEM 3/4FP | 3 | |
| 12 | 22148 | FITTING, TEE -10MJ X -10MJ X -10MO | 1 | |
| 13 | 36112 | HOSE ASSY., 1/2ID X 15-1/4" 90° END | 2 | |
| 14 | 26882 | HOSE, 192" OAL 12MPX12MP | 2 | |
| 15 | 16577 | HOSE, 606" OAL 1/2" HOSE 12MPX12MP | 2 | |
| 16 | 16597 | FITTING, MALE STR 10MJ-1/2 MP BLKHD | 2 | |
| 17 | 16598 | FITTING, NUT 10 BLKHD JAM | 2 | |
| 18 | 16570 | COVER, FEMALE 3/4 H6-65M | 1 | |

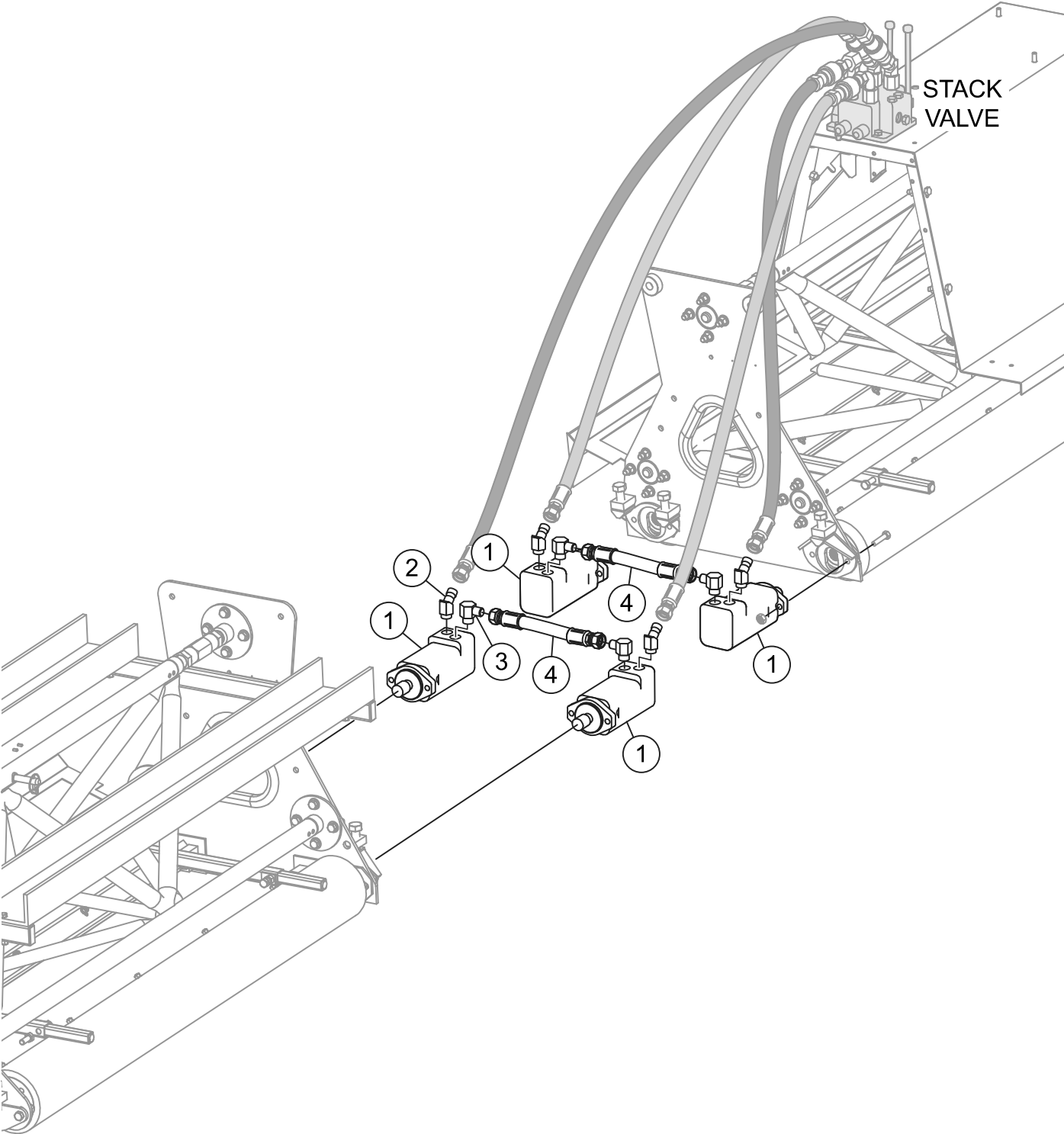
SOLENOID VALVE ASSY.



SOLENOID VALVE ASSY.

| <u>NO.</u> | <u>PART NO.</u> | <u>PART NAME</u> | <u>QTY.</u> | <u>REMARKS</u> |
|------------|-----------------|----------------------------|-------------|----------------|
| 1 | 36107 | VALVE, SOLENOID | 1 | |
| 2 | 11396 | FITTING, 90° 8MJ-8M0 | 1 | |
| 3 | 36113 | FITTING, 45° 8MJ-8FJ | 2 | |
| 4 | 11749 | FITTING, STR 8MJ-8M0 | 1 | |
| 5 | 26250 | SCREW, HHC 1/4-20 X 1-3/4" | 2 | |
| 6 | 0948 | WASHER, FLAT SAE 1/4" | 2 | |
| 7 | 10024 | NUT, NYLOC 1/4-20 | 2 | |

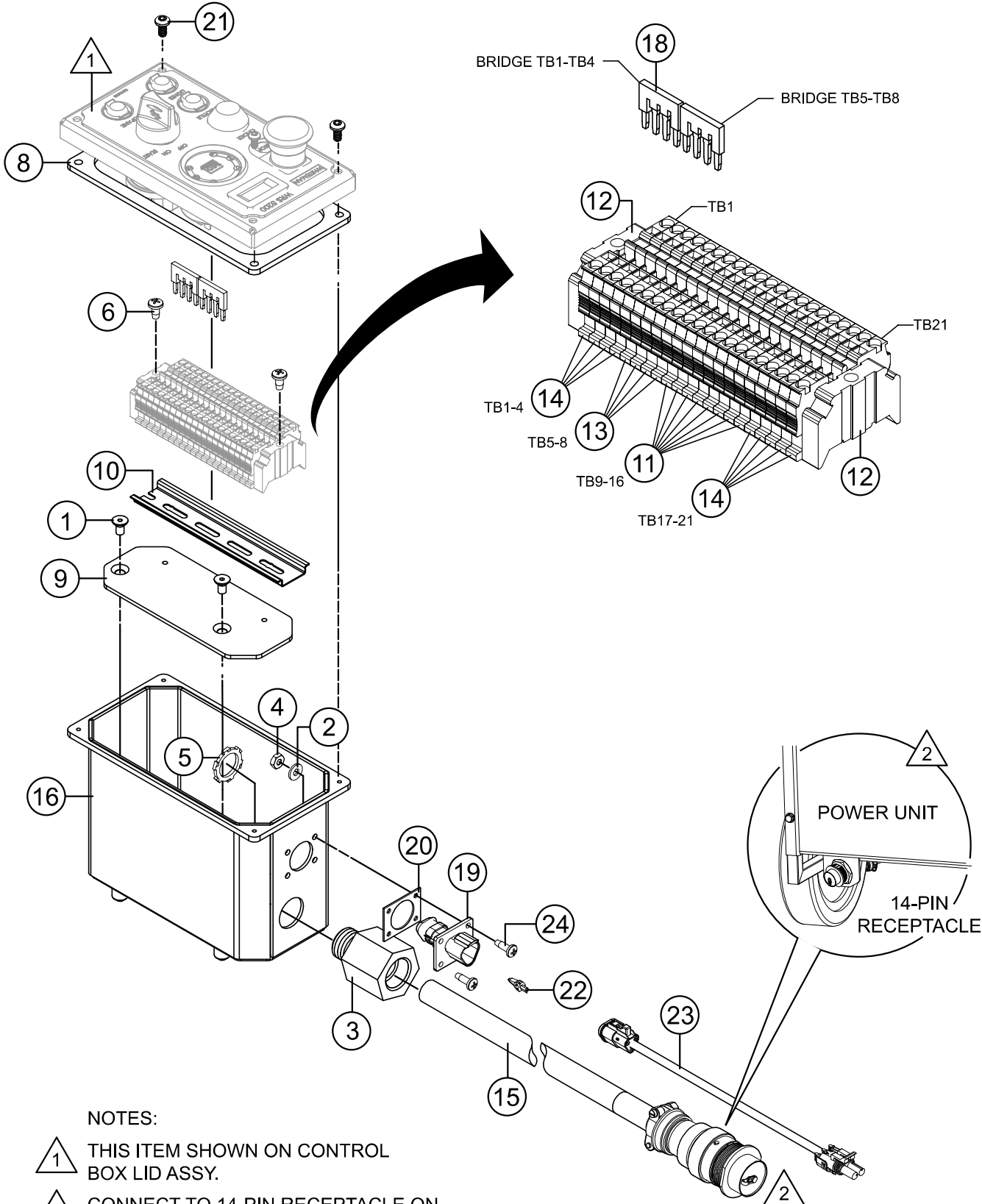
DRIVE TUBE MOTOR ASSY.



DRIVE TUBE MOTOR ASSY.

| <u>NO.</u> | <u>PART NO.</u> | <u>PART NAME</u> | <u>QTY.</u> | <u>REMARKS</u> |
|------------|-----------------|-----------------------------------|-------------|----------------|
| 1 | 16219 | MOTOR, HYD. CHAR-LYNN | 4 | |
| 2 | 16580 | FITTING, 45° 8MJ-10MO | 4 | |
| 3 | 26010 | FITTING, 90° 8MJ-10MO | 4 | |
| 4 | 26011 | HOSE ASSY., 1/2" ID X 21"-8FJ-8FJ | 2 | |

CONTROL BOX ASSY.



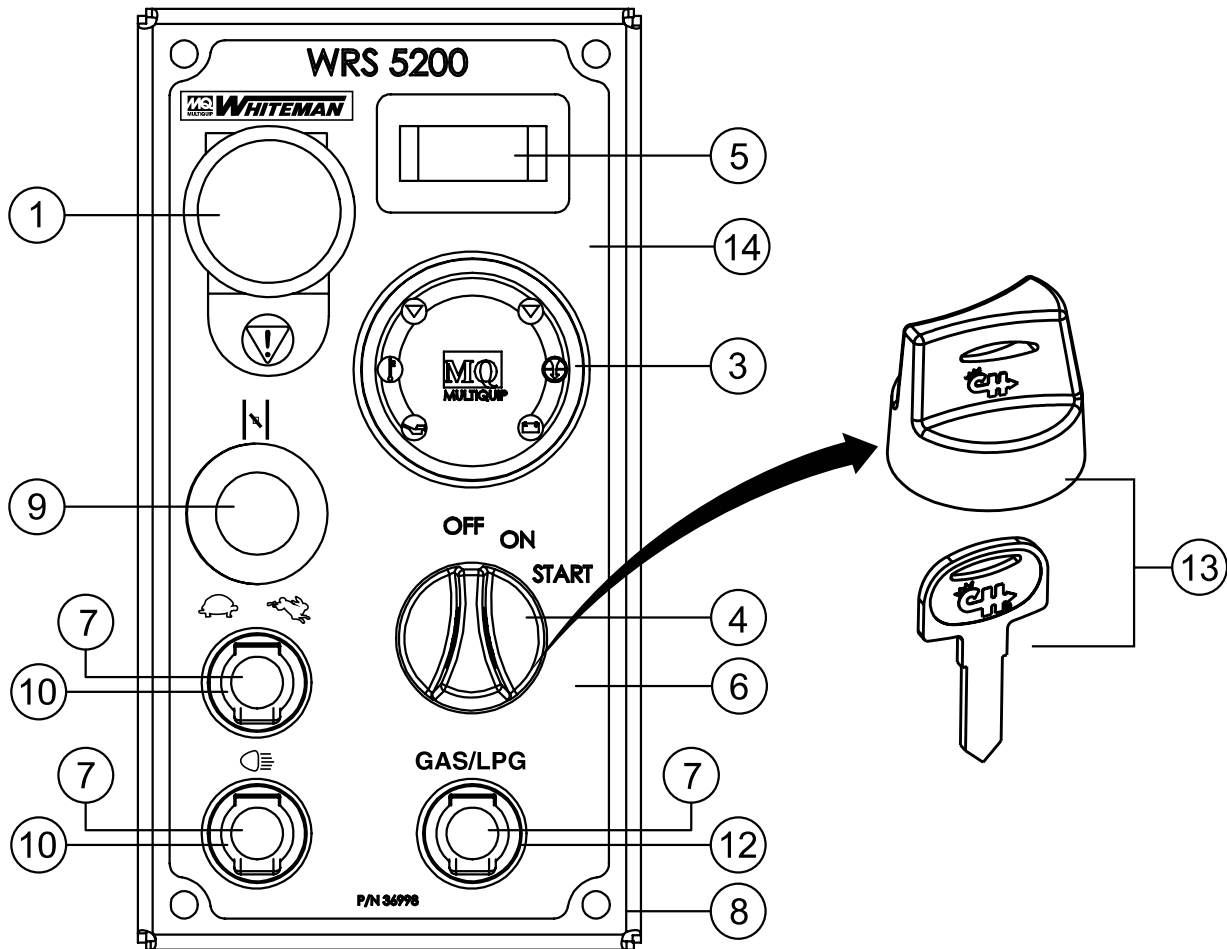
NOTES:

- 1 THIS ITEM SHOWN ON CONTROL BOX LID ASSY.
- 2 CONNECT TO 14-PIN RECEPTACLE ON POWER UNIT.

CONTROL BOX ASSY.

| <u>NO.</u> | <u>PART NO.</u> | <u>PART NAME</u> | <u>QTY.</u> | <u>REMARKS</u> |
|------------|-----------------|--|-------------|----------------|
| 1 | 2460 | SCREW, FHSC 1/4-20 X 1/2" NO PLATING | 2 | |
| 2 | 15173 | WASHER, FLAT, #8 | 4 | |
| 3 | 16392 | GRIP, CORD | 1 | |
| 4 | 16723 | NUT, HEX FIN 8-32 | 4 | |
| 5 | 26560 | NUT, LOCKING 3/4 NPT CONDUIT | 1 | |
| 6 | 29046 | SCREW, PHPM 10-32 X 3/8" ZN PLTD | 2 | |
| 8 | 46044 | GASKET, OPERATOR BOX | 1 | |
| 9 | 46045 | PLATE, DIN RAIL MOUNT | 1 | |
| 10 | 46152 | DIN RAIL, STEEL, 6.5" | 1 | |
| 11 | 46153 | TERMINAL BLOCK, DIN RAIL, ST-4-GREY | 8 | |
| 12 | 46154 | TERMINAL BLOCK, END BRACKET, E/NS 35 N | 2 | |
| 13 | 46155 | TERMINAL BLOCK, DIN RAIL, ST-4-BLACK | 4 | |
| 14 | 46156 | TERMINAL BLOCK, DIN RAIL, ST-4-RED | 9 | |
| 15 | 46158 | CONTROL CORD, ASSY., 55' | 1 | |
| 16 | 46159 | BOX, ELEC-BASE | 1 | |
| 18 | 46176 | BRIDGE, TERMINAL BLOCK, 4-POS, RED | 2 | |
| 19 | 46177 | CON HOUSING, DEUTSCH-DT, 3POS, FEM, FLANGE MNT | 1 | |
| 20 | 46178 | GASKET, DEUTSCH-DT, FLANGE MNT | 1 | |
| 21 | 46179 | SCREW, PAN TORX T-25, 10-32 X 3/8" | 4 | |
| 22 | EE50819 | WEDGE LOCK, DT SERIES, 3 POS, GREEN, W3P | 1 | |
| 23 | 46181 | WIRE ASSY., BYPASS VALVE, CONTROL BOX | 1 | |
| 24 | 46182 | SCREW, PAN HD 8-32 X 1/2" | 4 | |

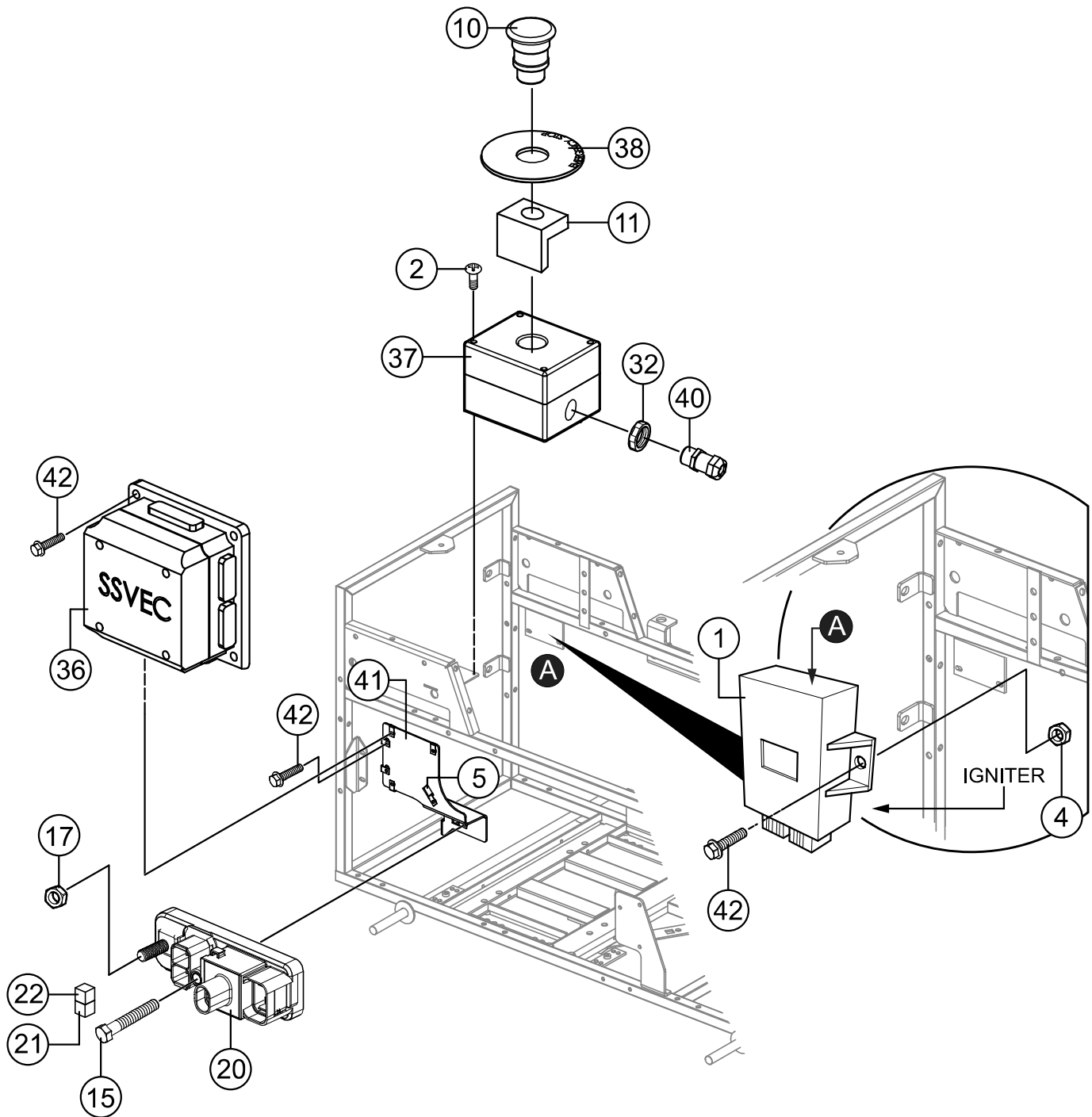
CONTROL BOX LID ASSY.



CONTROL BOX LID ASSY.

| <u>NO.</u> | <u>PART NO.</u> | <u>PART NAME</u> | <u>QTY.</u> | <u>REMARKS</u> |
|-------------------|------------------------|--------------------------------------|--------------------|-----------------------|
| 1 | 16510 | SWITCH, PUSH BUTTON-EMERGENCY | 1 | |
| 3 | 22408 | GAUGE, MULTI-LOFA | 1 | |
| 4 | 23959 | SWITCH, IGNITION | 1 | |
| 5 | 29640 | HOUR METER | 1 | |
| 6 | 36998 | DECAL, OPERATOR BOX | 1 | |
| 7 | 36999 | BOOT, CLEAR | 3 | |
| 8 | 46022 | LID, W/A, OPERATOR BOX | 1 | |
| 9 | 46058 | SWITCH, CHOKE-OPERATOR | 1 | |
| 10 | 46059 | SWITCH, GREEN ILLUMINATED ON-OFF | 2 | |
| 12 | 46079 | SWITCH, RED FULLY ILLUMINATED ON-OFF | 1 | |
| 13 | 23959-01 | IGNITION KEY W/BOOT | 1 | |
| 14 | 46174 | CONTROL BOX LID W/CONTROLS | 1 | |

EMERGENCY STOP MODULE/ENGINE IGNITER ASSY.



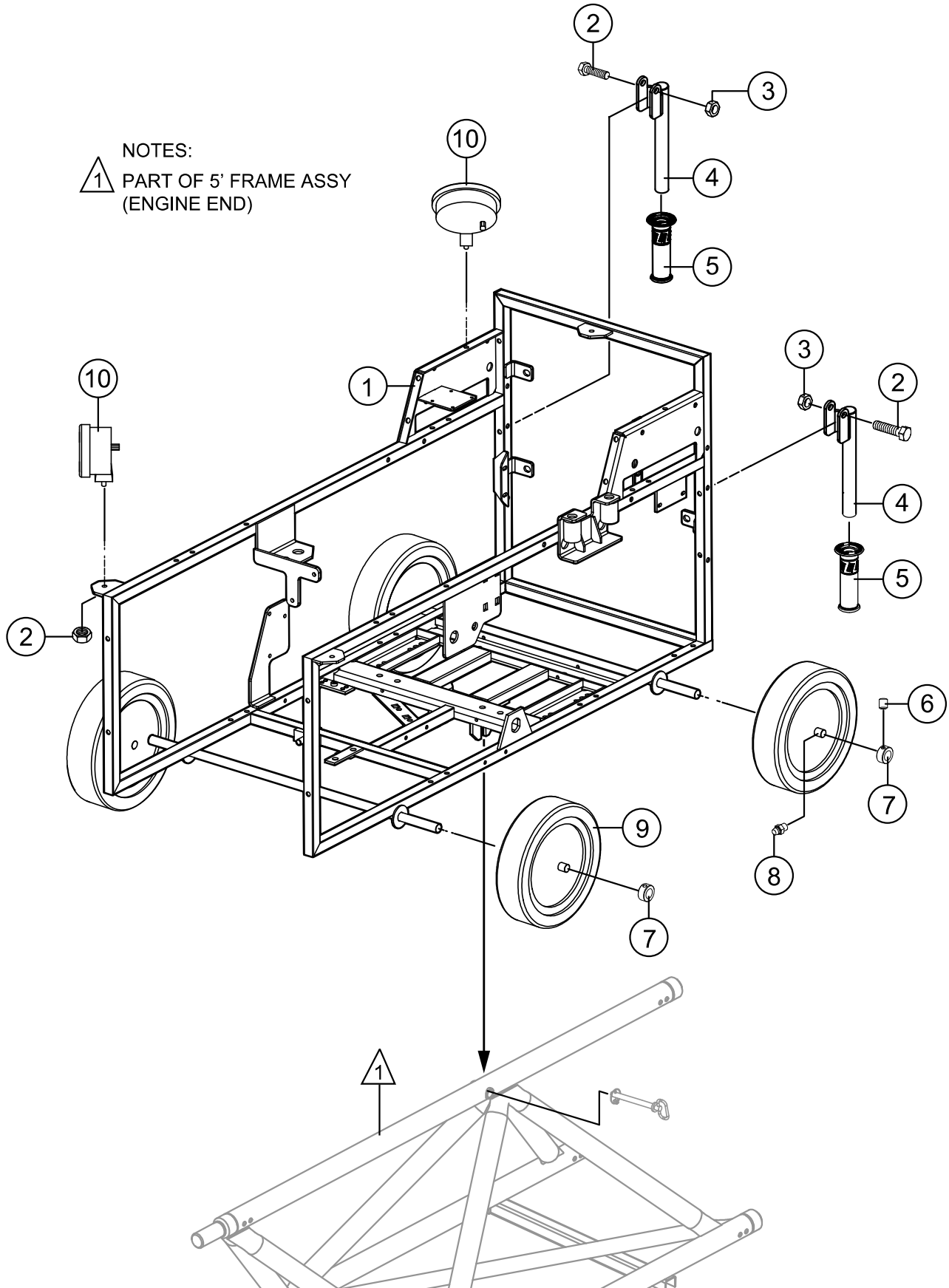
RIGHT SIDE

EMERGENCY STOP/MODULE/ENGINE IGNITER ASSY.

| <u>NO.</u> | <u>PART NO.</u> | <u>PART NAME</u> | <u>QTY.</u> | <u>REMARKS</u> |
|------------|-----------------|--------------------------------------|-------------|----------------|
| 1 | EG56168102 | IGNITER | 1 | |
| 2 | 1307 | SCREW, PHP #8-32 X 1/2" PLTD | 4 | |
| 4 | 10024 | NUT, NYLOC 1/4-20 | 8 | |
| 5 | 11534 | NUT, "U" TYPE 1/4-20 | 16 | |
| 10 | 16510 | SWITCH, PUSH BUTTON-EMERGENCY | 1 | |
| 11 | 16511 | BLOCK, 22MM CONTACT | 1 | |
| 15 | 20909 | SCREW, HHC 1/4-20 X 2" | 1 | |
| 17 | 15227 | NUT, HEX FLANGED M8-1.25 | 1 | |
| 20 | 22724 | MODULE, POWER RELAY | 1 | |
| 21 | 22725-200 | FUSE, 20 AMP J CASE | 1 | |
| 22 | 22725-600 | FUSE, 60 AMP J CASE | 1 | |
| 32 | 34139 | NUT, LOCKING, 1/2" NPT, NON-METALLIC | 1 | |
| 36 | 46049 | MODULE, FUSE AND RELAY-SSVEC | 1 | |
| 37 | 46073 | BOX, EMERGENCY STOP | 1 | |
| 38 | 46074 | DISC, EMERGENCY STOP | 1 | |
| 40 | 46080 | GRIP, CORD | 1 | |
| 41 | 46108 | BRACKET, SSVEC MTG. | 1 | |
| 42 | 49048 | SCREW, HHFS 1/4-20 X 3/4" GRD 5 | 8 | |

POWER UNIT FRAME AND LIGHTS ASSY.

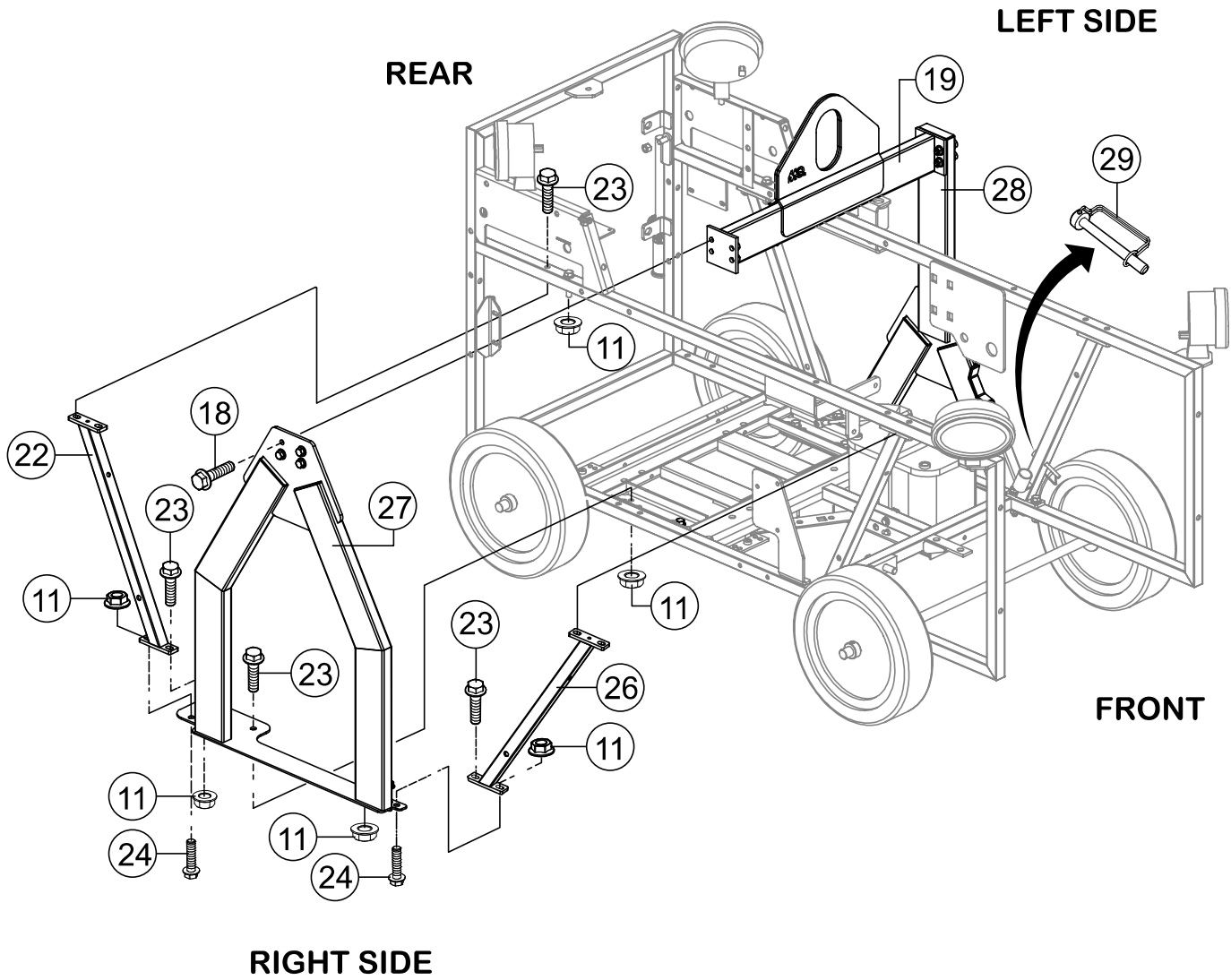
NOTES:
1 PART OF 5' FRAME ASSY
(ENGINE END)



POWER UNIT FRAME AND LIGHTS ASSY.

| <u>NO.</u> | <u>PART NO.</u> | <u>PART NAME</u> | <u>QTY.</u> | <u>REMARKS</u> |
|------------|-----------------|--|-------------|----------------|
| 1 | 36873 | FRAME | 1 | |
| 2 | 4370 | SCREW, HHC 3/8-16 X 2-1/4" | 2 | |
| 3 | 10133 | NUT, NYLOC 3/8-16 | 2 | |
| 4 | 16195 | HANDLES | 2 | |
| 5 | 22762 | GRIP, HANDLE | 2 | |
| 6 | 25490 | SCREW, SHS 5/16-18 X 3/8" | 4 | |
| 7 | 3615 | COLLAR, SET 3/4" ID | 4 | |
| 8 | | FITTING, GREASE ZERK M6 X 1 METRIC | 4..... | OBTAIN LOCALLY |
| 9 | 16233 | WHEEL, 3" X 12" SEMI-PNEUMATIC | 4 | |
| 10 | 22347 | LIGHT ASSY. W/ HARDWARE | 4 | |

LIFT BALE ASSY.



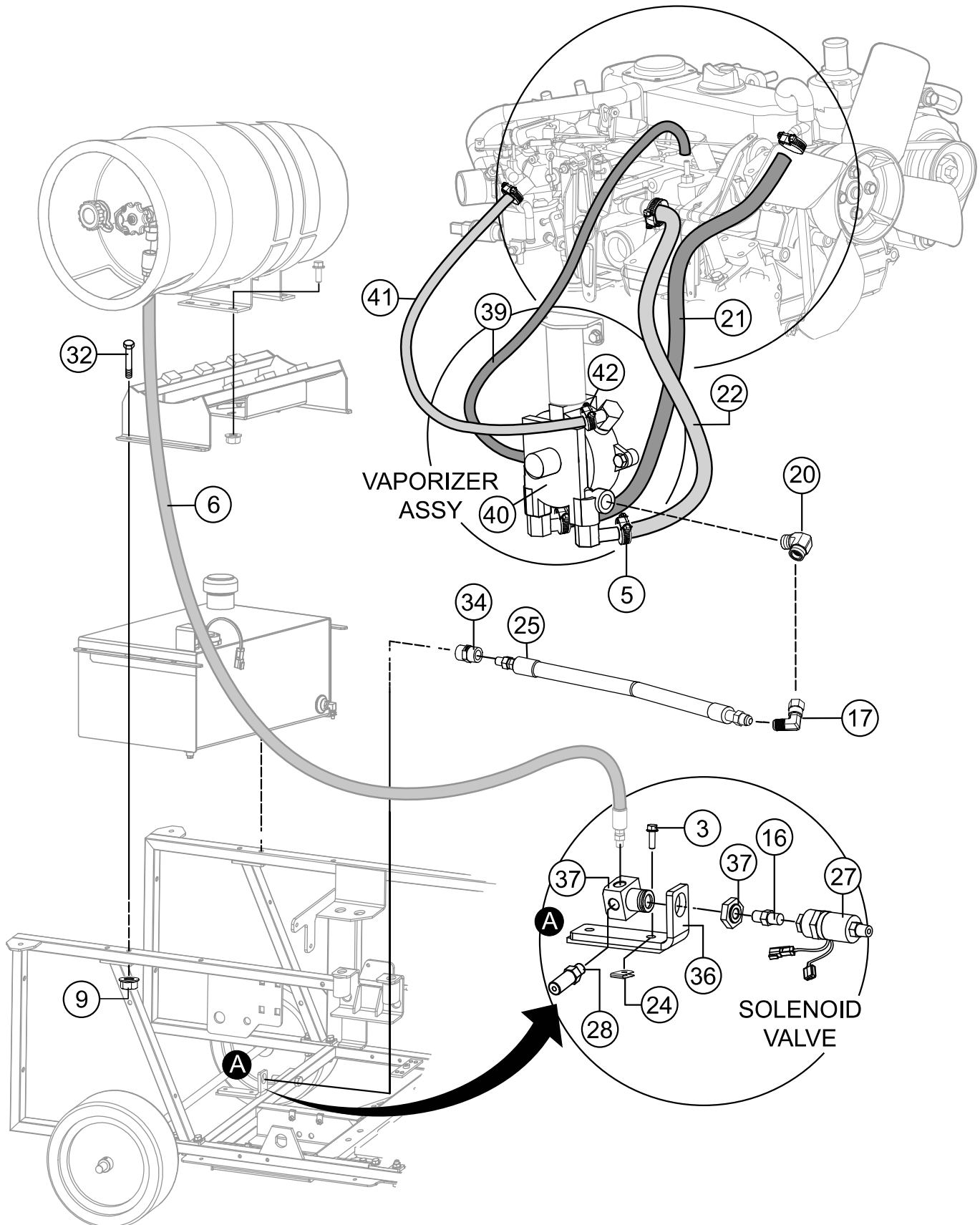
LIFT BALE ASSY.

| <u>NO.</u> | <u>PART NO.</u> | <u>PART NAME</u> | <u>QTY.</u> | <u>REMARKS</u> |
|------------|-----------------|-----------------------------------|-------------|----------------|
| 11 | 21781 | NUT, FLANGED 3/8-16 SERRATED PLTD | 24 | |
| 18 | 32379 | SCREW, HHFS 3/8-16 X 1" ZN | 8 | |
| 19 | 36925 | LIFT BALE W/A, CENTER | 1 | |
| 22 | 46020 | TRUSS W/A, POWER UNIT | 3 | |
| 23 | 46033 | SCREW, HHFS 3/8-16 X 1-3/4" | 10 | |
| 24 | 46034 | SCREW, HHFS 3/8-16 X 2" | 6 | |
| 26 | 46119 | TRUSS W/A, LP CONNECTOR | 1 | |
| 27 | 46138 | LIFT BALE WA, RIGHT | 1 | |
| 28 | 46139 | LIFT BALE WA, LEFT | 1 | |
| 29 | QS1869 | SNAP PIN | 1 | |

FUEL HOSE ASSY.

| <u>NO.</u> | <u>PART NO.</u> | <u>PART NAME</u> | <u>QTY.</u> | <u>REMARKS</u> |
|------------|-----------------|--|-------------|----------------|
| 2 | 4692 | TERMINAL, BULLET, .156 MALE, 14-16 GA | 1 | |
| 4 | 11534 | NUT, "U" TYPE, 1/4-20 | 2 | |
| 6 | 17206 | FITTING, 90° 5BARB - 1/4MP | 1 | |
| 7 | 19317 | FITTING, BRASS BUSHING 1/4FP X 3/8MP | 1 | |
| 8 | 19473 | CLAMP, HOSE WORM #2 | 6 | |
| 9 | 21781 | NUT, FLANGED 3/8-16 SERRATED PLTD | 10 | |
| 10 | 23506 | CANISTER, CARBON, 800CC | 1 | |
| 11 | 23507 | GROMMET, ROLL OVER VALVE | 1 | |
| 12 | 23508 | VALVE, ROLL OVER | 1 | |
| 13 | 23514 | CAP, RATCHET W/GAUGE "GASOLINE" (10.5") | 1 | |
| 14 | 46199 | ADAPTER, HOSE, SS | 1 | |
| 15 | 23794 | CLAMP, HOSE WORM #64, 3-9/16" TO 4-1/2" | 2 | |
| 21 | 32834 | CLAMP, OETIKER STEPLESS EAR - 20MM | 2 | |
| 22 | 60072 | HOSE, FUEL Ø.50 LOW PERM 50 PSI | 1..... | 1PC=1FT |
| 29 | 46000 | TANK W/A, FUEL TANK | 1 | |
| 31 | 46033 | SCREW, HHFS 3/8-16 X 3/4" | 2 | |
| 33 | 46072 | GAUGE, LOW FUEL SENSOR W/PLUG | 1 | |
| 35 | 60004 | HOSE 8-1/2" | 1..... | 1PC=1FT |
| 38 | 49048 | SCREW, HHFS 1/4-20 X 3/4" GRD 5 | 2 | |
| 39 | 60004 | HOSE, FUEL .1875 DIA. LOW PERM 50 PSI, 15" | 2..... | 1PC=1FT |
| 40 | 60028 | HOSE, FUEL .312 DIA. LOW PERM 50 PSI, 6" | 1..... | 1PC=1FT |
| 41 | 60028 | HOSE, FUEL .312 DIA. LOW PERM 50 PSI, 2" | 1..... | 1PC=1FT |
| 42 | 36920-3 | FUEL FILTER | 1 | |
| 43 | 60028 | HOSE, FUEL .312 DIA. LOW PERM 50 PSI, 17" | 2..... | 1PC=1FT |
| 44 | 60028 | HOSE, FUEL .312 DIA. LOW PERM 50 PSI, 23" | 2..... | 1PC=1FT |
| 46 | 911329 | FITTING, PLUG 3/8 MP MAGNET | 1..... | 1PC=1FT |
| 47 | 36920-4 | FUEL PUMP | 1 | |

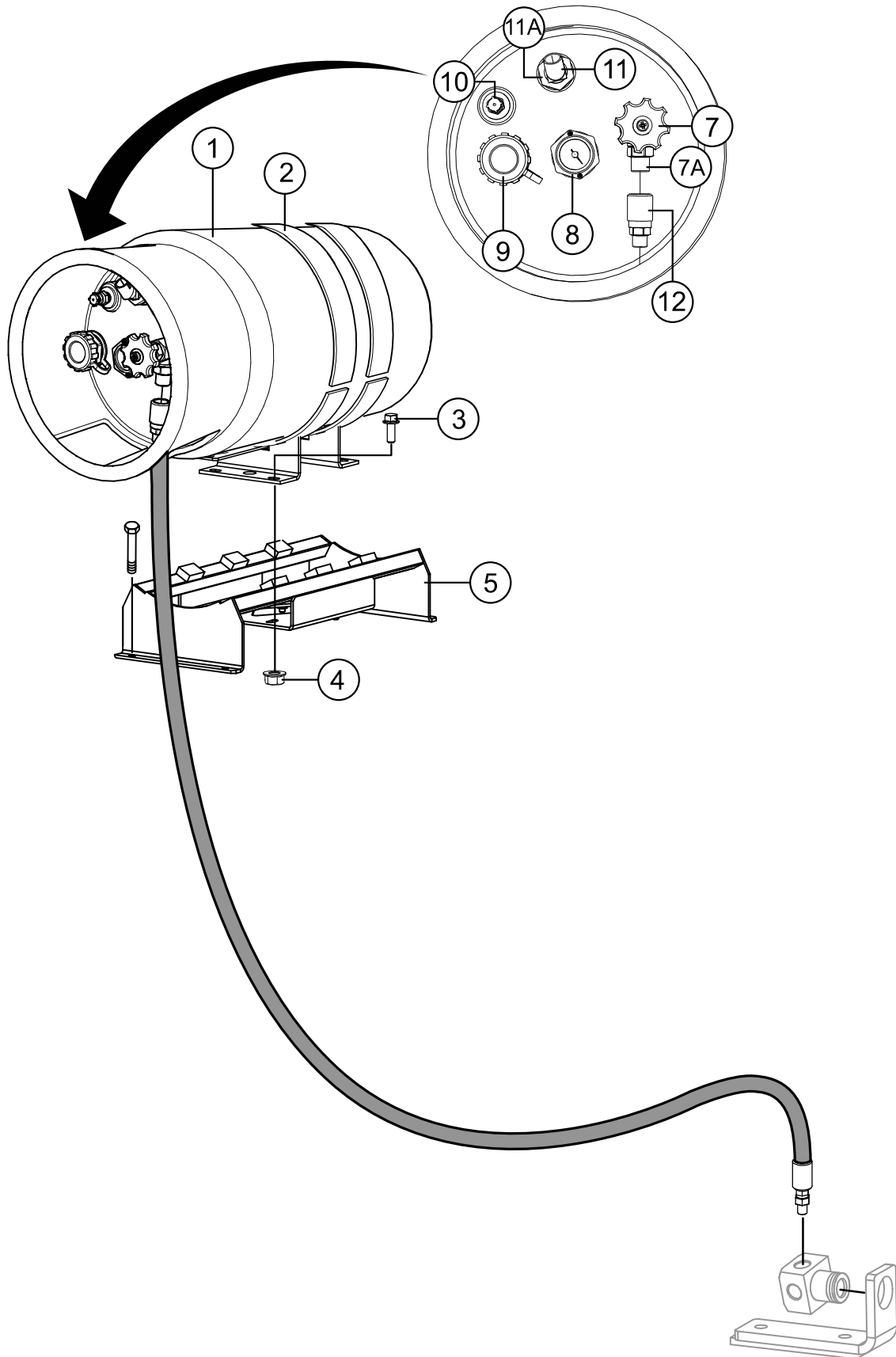
LPG FUEL HOSE ASSY.



LPG FUEL HOSE ASSY.

| <u>NO.</u> | <u>PART NO.</u> | <u>PART NAME</u> | <u>QTY.</u> | <u>REMARKS</u> |
|------------|-----------------|--|-------------|----------------|
| 3 | 9091 | SCREW, HHFS 5/16-18 X 1" GRD 5 | 2 | |
| 5 | 15538 | CLAMP, HOSE WORM #6 | 4 | |
| 6 | 46302 | HOSE ASSY., 1/4"ID LPG X 26", 2 X 1/4MP | 1 | |
| 9 | 21781 | NUT, FLANGED 3/8-16 SERRATED PLTD | 6 | |
| 16 | 26132 | FITTING, STR 1/4MP X 1/4MP | 1 | |
| 17 | 32833 | FITTING, 90 -4MJ X -4MBSPT | 1 | |
| 20 | 366640 | FITTING, 90 4MJ - 4 FJ | 1 | |
| 21 | 30025 | HOSE, HOT WATER, .375 DIA. 200 PSI, 25" | 5..... | 1PC=1FT |
| 22 | 30025 | HOSE, HOT WATER, .375 DIA. 200 PSI, 27" | 3..... | 1PC=1FT |
| 24 | 35358 | NUT, PANEL, U-TYPE, 5/16-18 X .05/.20 | 2 | |
| 25 | 46301 | HOSE ASSY., 1/4"ID LPG X 20.50", 1/4MPX-6FJ90 | 1 | |
| 27 | 42185 | VALVE, SOLENOID, W/FILTER, 12VDC, 1/4MP X 1/4FP | 1 | |
| 28 | 42200 | VALVE, PRESSURE RELIEF-LP | 1 | |
| 32 | 46034 | SCREW, HHFS 3/8-16 X 2.00" | 4 | |
| 34 | 46106 | FITTING, COUPLING 1/4FP X 1/4FP | 1 | |
| 36 | 46169 | BRKT, LP FILTER | 1 | |
| 37 | 46170 | BULKHEAD, LPG 1/4NPT | 1 | |
| 39 | 60004 | HOSE, FUEL .1875 DIA. LOW PERM 50 PSI, 38.5" | 4..... | 1PC=1FT |
| 40 | EG65146923 | VAPORIZER ASSY. | 1 | |
| 41 | 60072 | HOSE, FUEL Ø.50 LOW PERM 35 PSI | 1 | |
| 42 | 32834 | CLAMP, STEPLESS EAR - 20MM, 12" | 2 | |

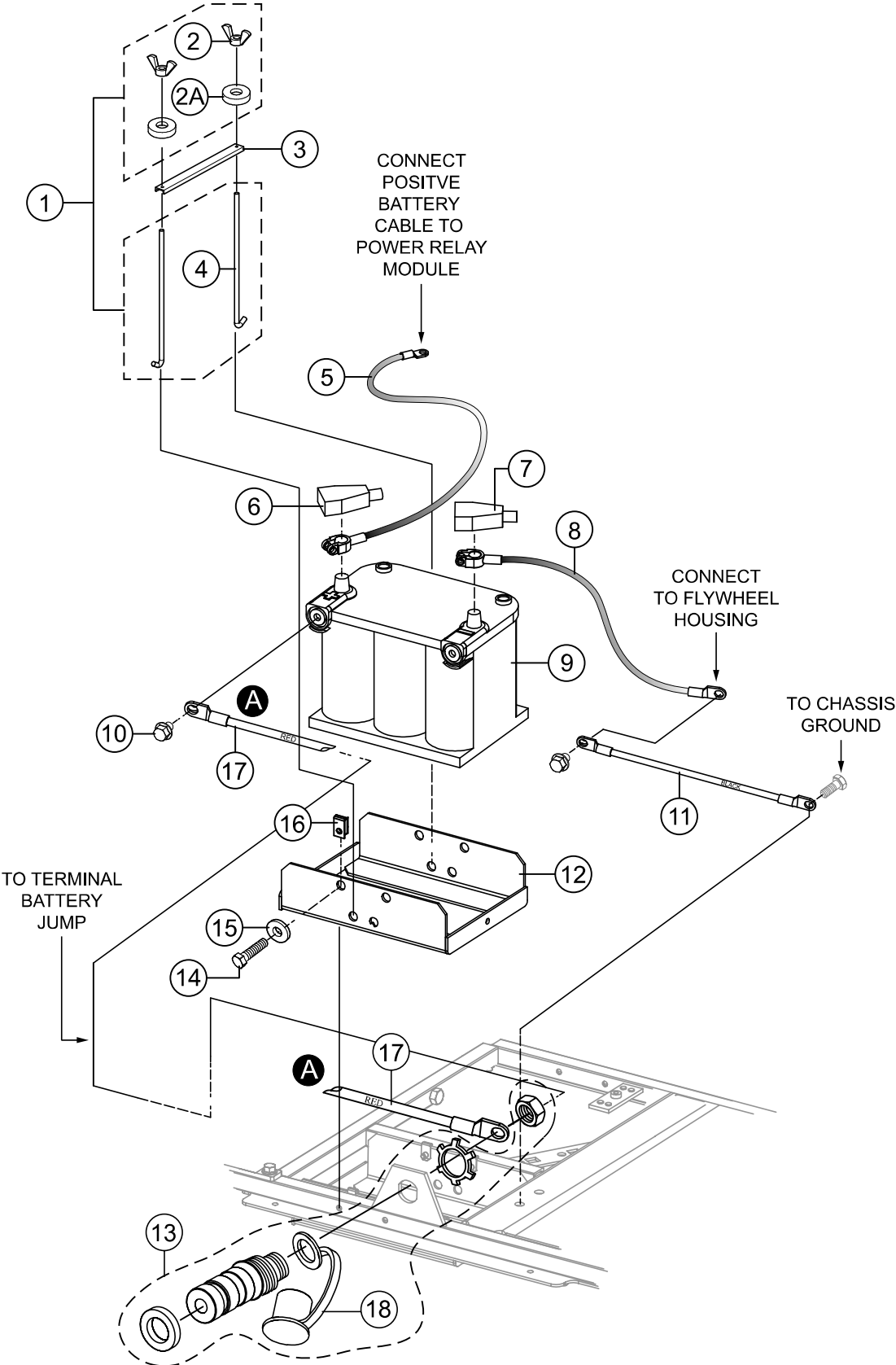
LPG FUEL COMPONENTS ASSY.



LPG FUEL COMPONENTS ASSY.

| <u>NO.</u> | <u>PART NO.</u> | <u>PART NAME</u> | <u>QTY</u> | <u>REMARKS</u> |
|------------|-----------------|---|------------|---------------------|
| 1 | 30006 | TANK, PROPANE, 33.5LBS. | 1 | |
| 2 | 46126 | STRAP, PROPANE TANK | 1 | |
| 3 | 32379 | SCREW, HHFS 3/8-16 X 1.00" ZINC | 4 | |
| 4 | 21781 | NUT, FLANGED 3/8-16 SERRATED PLTD | 6 | |
| 5 | 46013 | MOUNT W/A, PROPANE TANK | 1 | |
| 7 | | VALVE, LIQUID SERVICE | 1..... | NOT SOLD SEPARATELY |
| 7A | | CONNECTOR, ACME 4" BRASS | 1..... | NOT SOLD SEPARATELY |
| 8 | | GUAGE, HORIZ/UNIVERSAL FLOAT TYPE | 1..... | NOT SOLD SEPARATELY |
| 9 | | VALVE, FILL W/STRAP | 1..... | NOT SOLD SEPARATELY |
| 10 | | VALVE, FIXED LIQUID LEVEL | 1..... | NOT SOLD SEPARATELY |
| 11 | | VALVE, PRESSURE RELIEF | 1..... | NOT SOLD SEPARATELY |
| 11A | | FITTING, PIPE AWAY ADAPTOR..... | 1..... | NOT SOLD SEPARATELY |
| 12 | 30007 | CONNECTOR, PROPANE TANK, FEMALE | 1..... | NOT SOLD SEPARATELY |

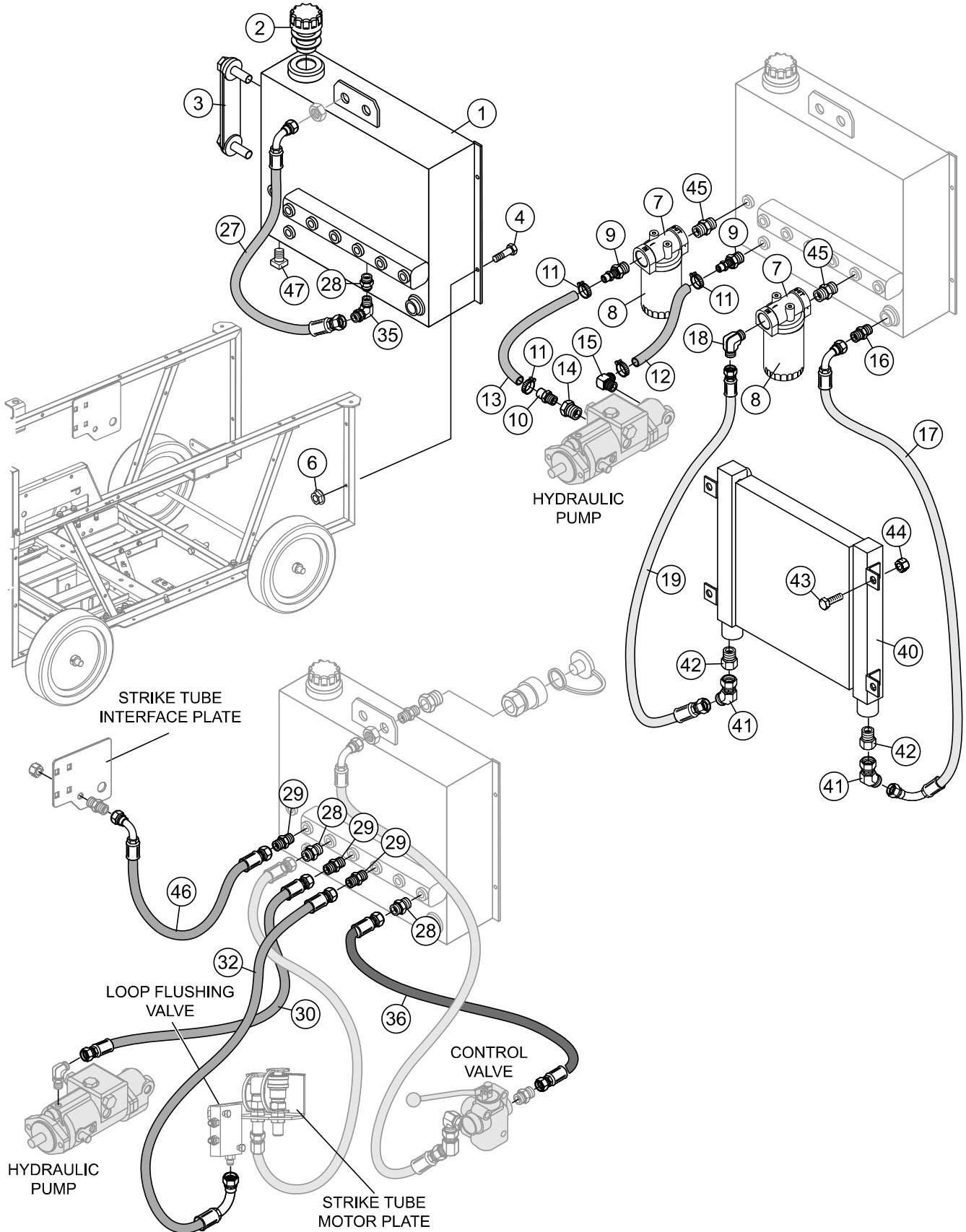
BATTERY ASSY.



BATTERY ASSY.

| <u>NO.</u> | <u>PART NO.</u> | <u>PART NAME</u> | <u>QTY.</u> | <u>REMARKS</u> |
|------------|-----------------|---------------------------------------|-------------|---------------------|
| 1 | 20194 | KIT, BATTERY HOLD DOWN HARDWARE..... | 1..... | INCLUDES ITEMS W/\$ |
| 2\$ | | WING NUT..... | 2..... | NOT SOLD SEPARATELY |
| 2A\$ | | RUBBER GROMMET | 2..... | NOT SOLD SEPARATELY |
| 3 | 36936 | BRACKET, BATTERY HOLD-DOWN | 1 | |
| 4\$ | | ROD, BATTERY HOLD-DOWN..... | 2..... | NOT SOLD SEPARATELY |
| 5 | 10314 | CABLE, BATTERY-POS 4 GA X 31" RED | 1 | |
| 6 | 46195 | BOOT, BATTERY-POS 6-4 GA RED | 1 | |
| 7 | 46196 | BOOT, BATTERY-NEG 6-4 GA BLACK | 1 | |
| 8 | 32376 | CABLE, BATTERY NEG 4 GA X 8.50" BLACK | 1 | |
| 9 | 404006 | BATTERY, OPTIMA | 1 | |
| 10 | 32378 | SCREW, HHFS 3/8-16 X 1/2" ZINC | 2 | |
| 11 | 32377 | CABLE, NEG 4 GA X 10.00" BLACK | 1 | |
| 12 | 36935 | MOUNT W/A, BATTERY | 1 | |
| 13 | 46061 | TERMINAL, BATTERY JUMPER..... | 1..... | INCLUDES ITEMS W/% |
| 14 | 5277 | SCREW, HHC 1/4-20 X 1-1/2" | 4 | |
| 15 | 0948 | WASHER, FLAT SAE 1/4" | 4 | |
| 16 | 11534 | NUT, "U" TYPE, 1/4-20 | 4 | |
| 17 | 32377 | CABLE, POSITIVE 4 GA X 10.00" RED | 1 | |
| 18% | 97846-B | CAP, TERMINAL BATTERY JUMPER | 1 | |

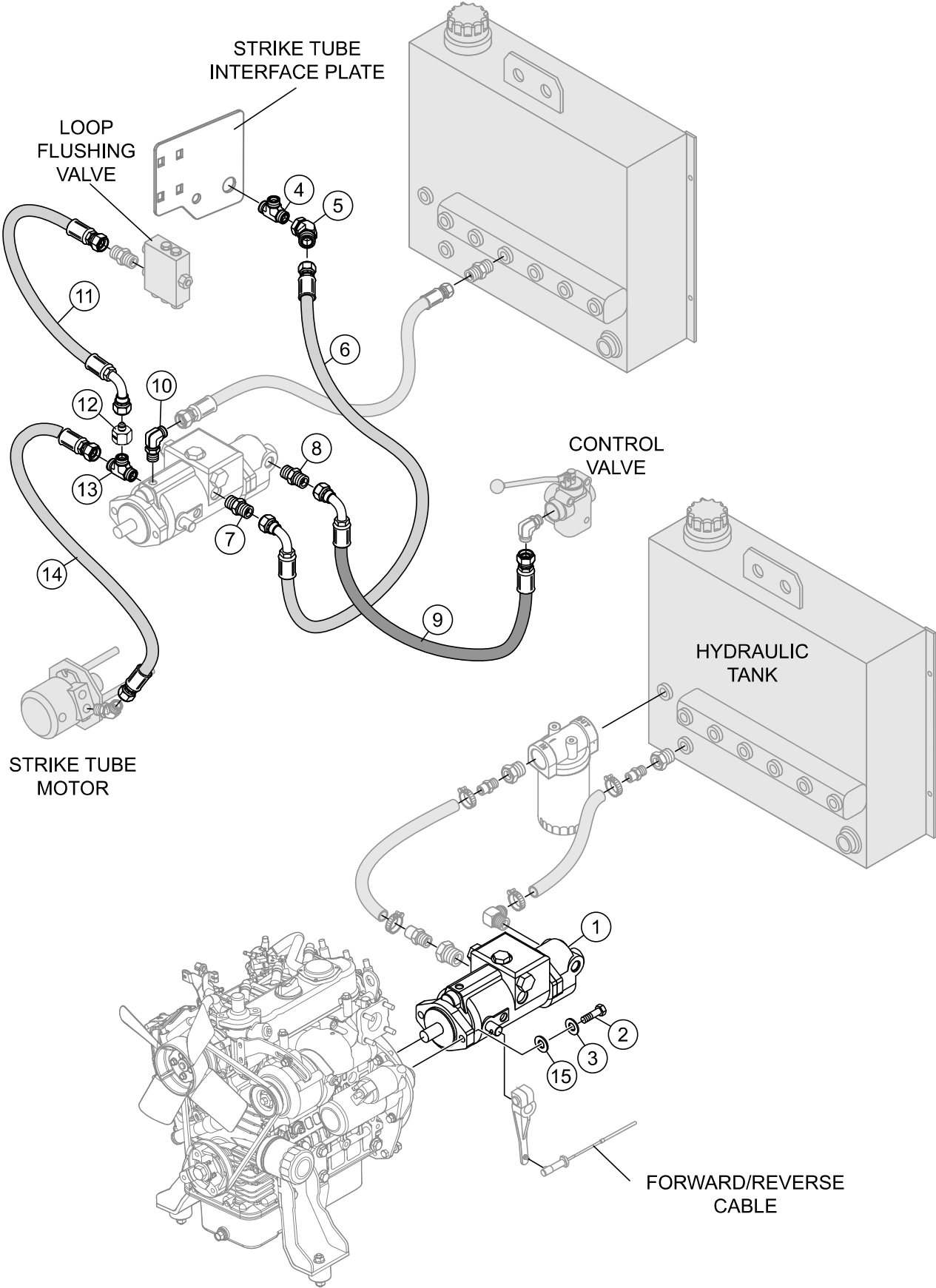
HYDRAULIC TANK/COOLER ASSY.



HYDRAULIC TANK/COOLER ASSY.

| <u>NO.</u> | <u>PART NO.</u> | <u>PART NAME</u> | <u>QTY.</u> | <u>REMARKS</u> |
|------------|-----------------|---|-------------|----------------|
| 1 | 36917 | TANK W/A, HYDRAULIC | 1 | |
| 2 | 16405 | CAP, HYDRAULIC OIL | 1 | |
| 3 | 3336 | GAUGE, OIL TEMP/LEVEL | 1 | |
| 4 | 32380 | SCREW, HHFS 3/8-16 X 1-1/2" ZINC | 4 | |
| 6 | 21781 | NUT, FLANGED 3/8-16 SERRATED PLTD | 4 | |
| 7 | 46057 | FILTER HEAD | 2 | |
| 8 | 11402 | ELEMENT, FLTR 3" 10 MICRON AE-10 | 2 | |
| 9 | 46122 | FITTING, STR-16MO X -12 BEAD | 2 | |
| 10 | 13220 | FITTING, STR 12BARB X 3/4MP | 1 | |
| 11 | 21552 | CLAMP, HOSE WORM #16 | 4 | |
| 12 | 46124 | HOSE, SUCTION .75 ID X 11.50"-100R4 | 1..... | 1PC=1FT |
| 13 | 46125 | HOSE, SUCTION .75 ID X 15.0"-100R4 | 2..... | 1PC=1FT |
| 14 | 16572 | FITTING, STR -8MO X 3/4FP SWIVEL | 1 | |
| 15 | 3461 | FITTING, 90° 12BARB-12MO | 1 | |
| 16 | 22116 | FITTING, STR 10MJ -16MO | 1 | |
| 17 | 46037 | HOSE ASSY., 1/2" ID X 54.0" -10FJ X 10FJ 45° ENDS | 1 | |
| 18 | 46123 | FITTING, 90° -16MO X -10MJ | 1 | |
| 19 | 46038 | HOSE ASSY., 1/2" ID X 56.0 -10FJ ENDS | 1 | |
| 27 | 46042 | HOSE ASSY., 1/2" ID X 43.00" -10FJ X -10FJ 45° | 1 | |
| 28 | 3365 | FITTING, STR 10MJ-10MO | 3 | |
| 29 | 11721 | FITTING, STR 6MJ-6MO | 6 | |
| 30 | 46036 | HOSE ASSY., 3/8" ID X 20.0" -6FJ ENDS | 1 | |
| 32 | 36993 | HOSE ASSY., 3/8" ID X 13.25" -6FJ X -6FJ 90° ENDS | 1 | |
| 35 | 16846 | FITTING, 90° 10MJ -10FJ | 1 | |
| 36 | 46040 | HOSE ASSY., 1/2" ID X 14.0" -10FJ BOTH ENDS | 1 | |
| 40 | 16213 | COOLER, HYD OIL-THERM TRANSFER | 1 | |
| 41 | 16336 | FITTING, 45° 10MJ-10MO | 5 | |
| 42 | 36674 | FITTING, STR 16MO X 10FO | 2 | |
| 43 | 2691 | SCREW, HHC 1/2-13 X 1" | 4 | |
| 44 | 10176 | NUT, NYLOC 1/2-13 | 4 | |
| 45 | 21130 | FITTING, STR 16MO - 16MO ADJ | 2 | |
| 46 | 46035 | HOSE ASSY., 3/8" ID X 18.13" - 6FJ X-6FJ 45° ENDS | 1 | |
| 47 | 911329 | FITTING, PLUG 3/8MP MAGNET | 1 | |

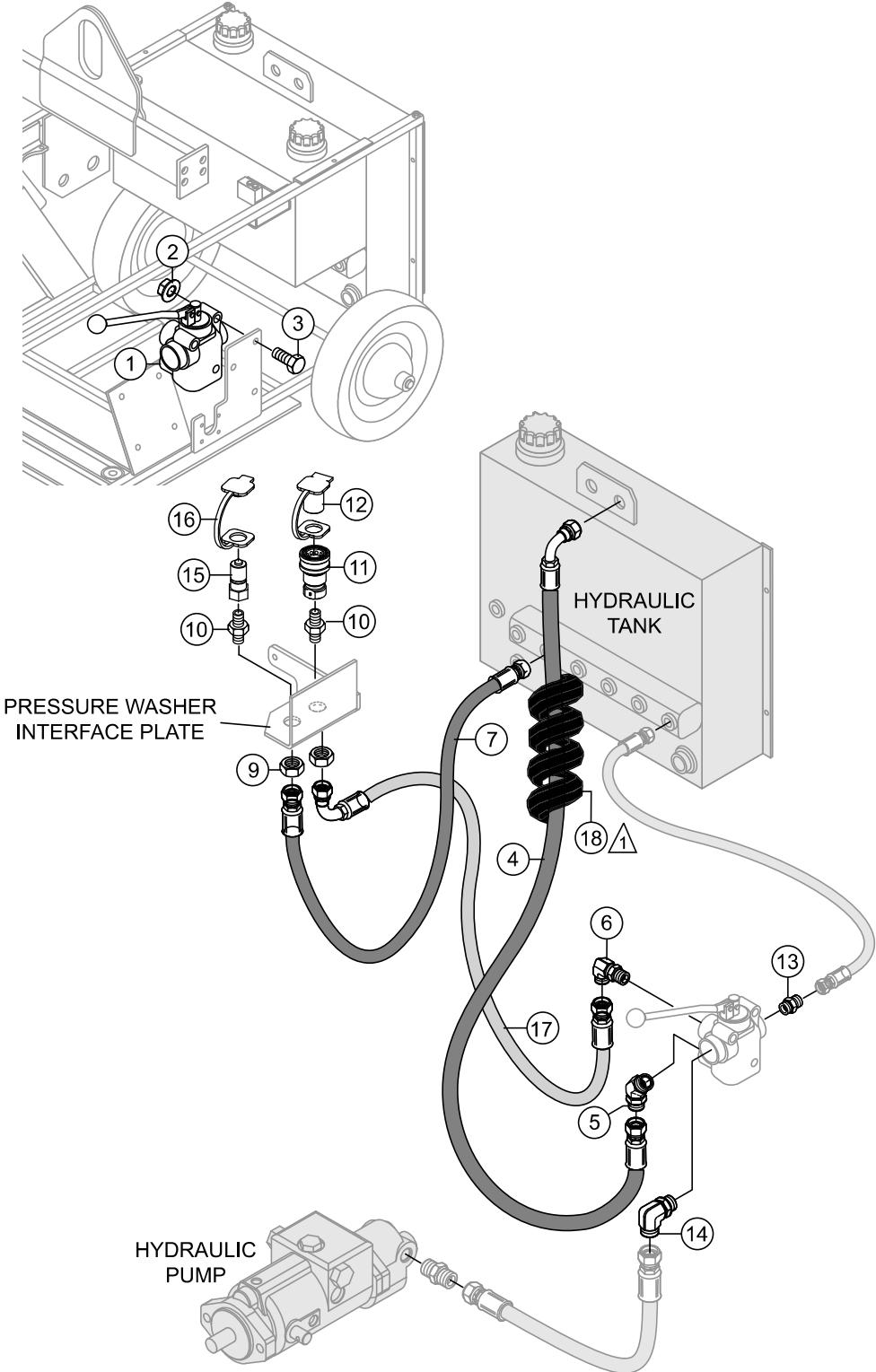
HYDRAULIC PUMP ASSY.



HYDRAULIC PUMP ASSY.

| <u>NO.</u> | <u>PART NO.</u> | <u>PART NAME</u> | <u>QTY.</u> | <u>REMARKS</u> |
|------------|-----------------|---|-------------|----------------|
| 1 | 36634 | PUMP, HYDRAULIC | 1 | |
| 2 | 1023 | SCREW, HHC 3/8-16 X 1-1/4" GRD 5 | 2 | |
| 3 | 0166 A | WASHER, LOCK, 3/8" MED | 4 | |
| 4 | 16340 | FITTING, TEE 12MJ-12MJ-12MJ BLKHD RUN | 1 | |
| 5 | 16609 | FITTING, 45° 12MJ-12FJ | 1 | |
| 6 | 16614 | HOSE ASSY., 12FJSW X -12FJSW 90° | 1 | |
| 7 | 11386 | FITTING, STR 12MJ-12MO | 1 | |
| 8 | 16617 | FITTING, STR 8MJ-10MO | 1 | |
| 9 | 16615 | HOSE ASSY., 8FJSW X -8FJSW 90° | 1 | |
| 10 | 11723 | FITTING, 90° 6MJ-8MO | 1 | |
| 11 | 16612 | HOSE ASSY., 3/8" ID X 9.13" -6FJ X -6FJ 90° | 1 | |
| 12 | 16328 | FITTING, STR 6MJ-12FJ | 1 | |
| 13 | 16327 | FITTING, TEE 12MJ-12MJ-12MO | 1 | |
| 14 | 16575 | HOSE ASSY., 5/8" ID X 75" -10FJ X -12F J ENDS | 1 | |
| 15 | 10136 | WASHER, FLAT SAE 3/8" | 1 | |

CONTROL VALVE ASSY.

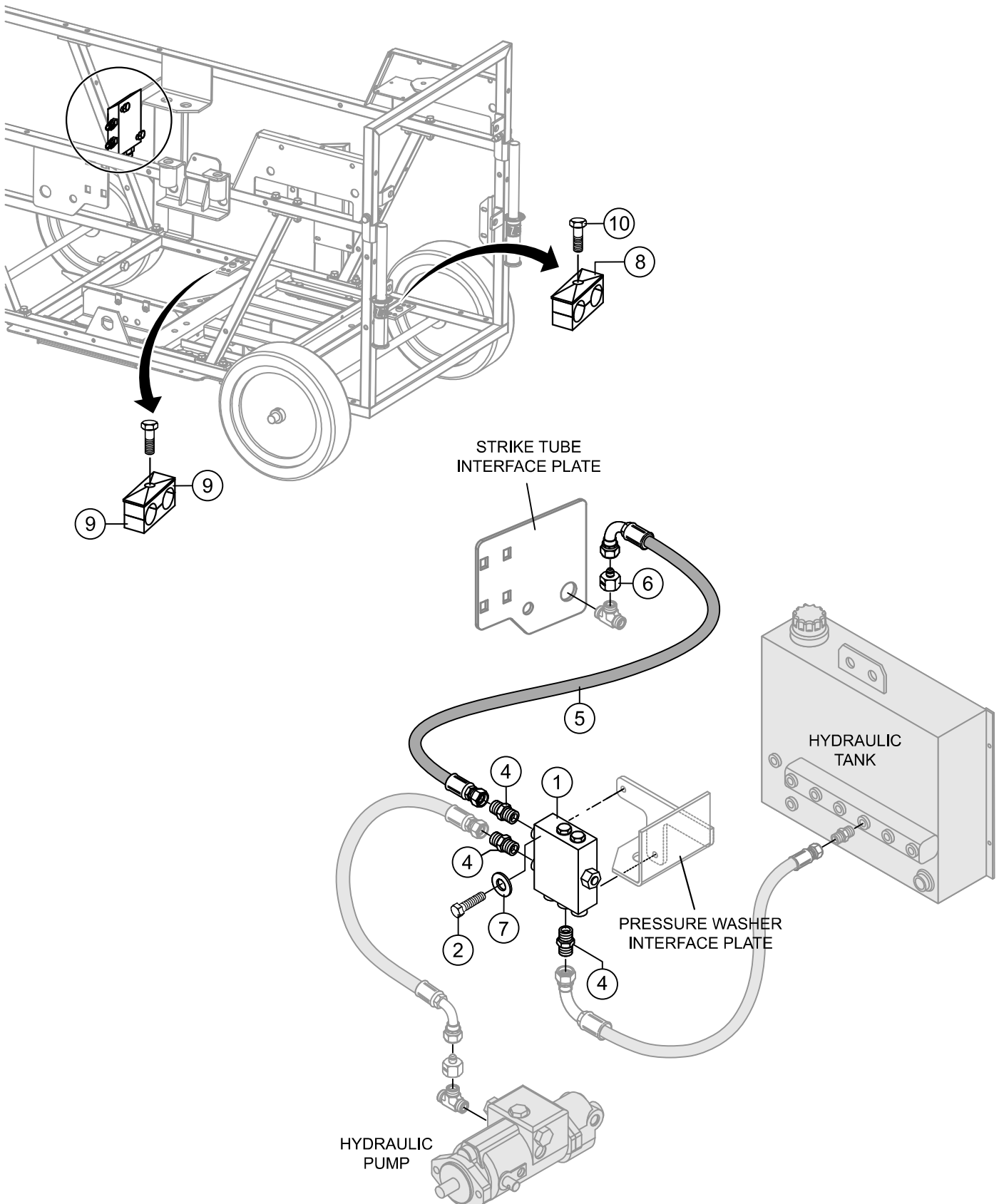


NOTES:
 ⚠ RUBBER WRAP HOLDS HYDRAULIC SCREED HOSES TOGETHER.

CONTROL VALVE ASSY.

| <u>NO.</u> | <u>PART NO.</u> | <u>PART NAME</u> | <u>QTY.</u> | <u>REMARKS</u> |
|------------|-----------------|---|-------------|----------------|
| 1 | 36518 | VALVE, 3-WAY | 1 | |
| 2 | 49070 | NUT, 1/4" FLANGE HEAD | 3 | |
| 3 | 5277 | SCREW, BHC 1/4-20 X 3/8" NYL PATCH, NP | 3 | |
| 4 | 46041 | HOSE ASSY., 1/2" ID X 31.0" -10FJ | 1 | |
| 5 | 16336 | FITTING, 45° 10MJ-10MO | 1 | |
| 6 | 3322 | FITTING, 90° 10MJ-10MO | 2 | |
| 7 | 46039 | HOSE ASSY., 1/2" ID X 26.0" -10FJ ENDS | 1 | |
| 9 | 16598 | FITTING, NUT 10 BLKHD JAM | 2 | |
| 10 | 16597 | FITTING, STR 10MJ-1/2MP BLKHD | 1 | |
| 11 | 16564 | FITTING, QD PARKER H4-62 FEM 1/2FP | 1 | |
| 12 | 16569 | COVER, 1/2" FEMALE | 1 | |
| 13 | 21096 | FITTING, STR 10MJ-12MO | 1 | |
| 14 | 36520 | FITTING, 90° 8MJ-12MO | 1 | |
| 15 | 16565 | FITTING, QD PARKER H4-63 MALE 1/2FP | 1 | |
| 16 | 16568 | COVER, 1/2" MALE | 1 | |
| 17 | 36950 | HOSE ASSY., 1/2" ID X 15.0" -10FJ X -10FJ 90° | 1 | |
| 18 | 60125-22 | PROTECTOR, SPIRAL HOSE, HI-TEMP, 12" L | 1 | 1PC=1FT |
| 19 | 49070 | NUT, 1/4" FLANGE HEAD | 1 | |

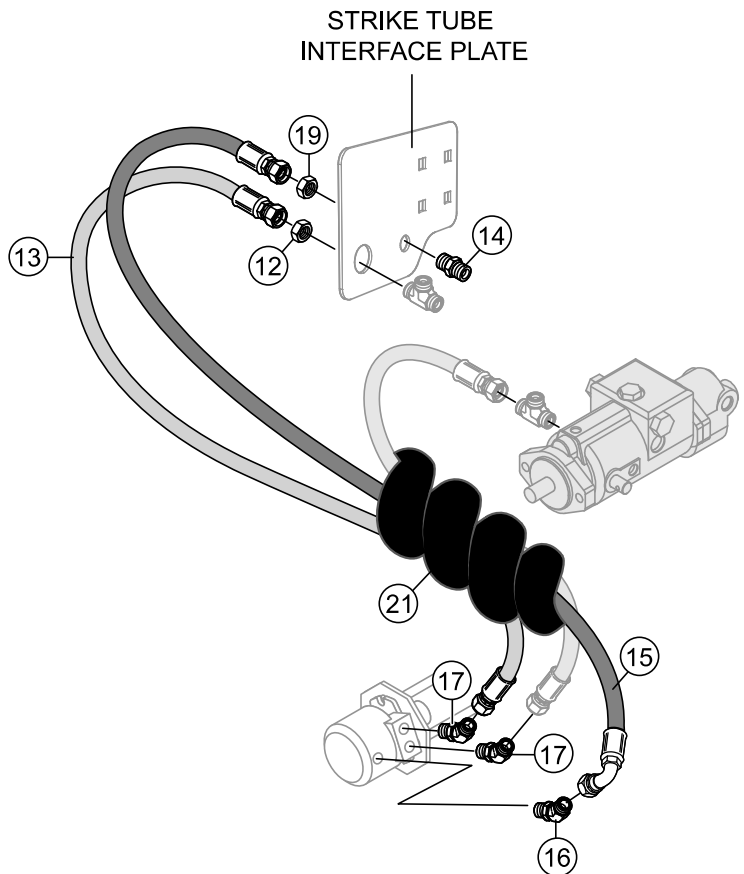
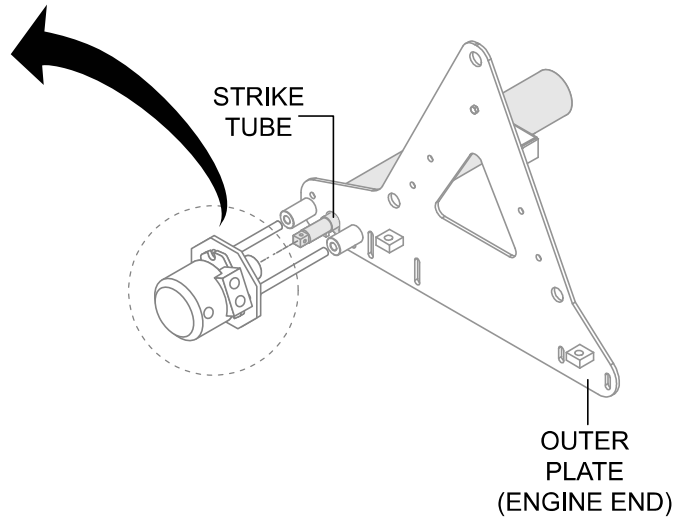
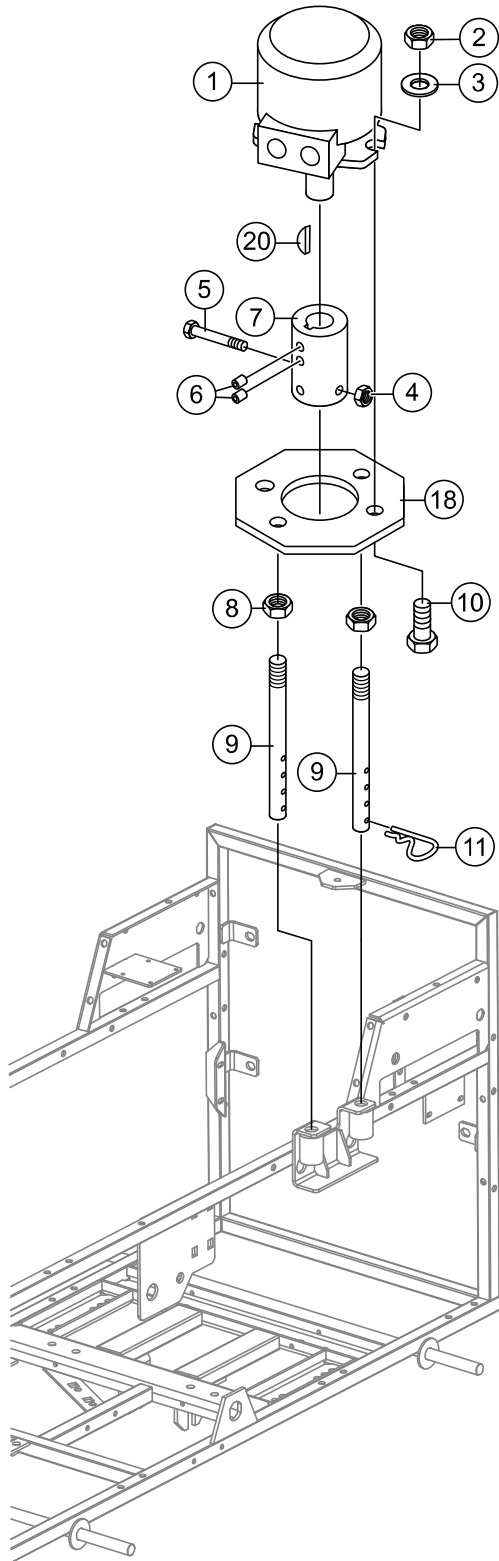
LOOP FLUSHING VALVE ASSY.



LOOP FLUSHING VALVE ASSY.

| <u>NO.</u> | <u>PART NO.</u> | <u>PART NAME</u> | <u>QTY.</u> | <u>REMARKS</u> |
|------------|-----------------|--|-------------|----------------|
| 1 | 16594 | VALVE, LOOP FLUSHING | 1 | |
| 2 | 16721 | SCREW, HHC 3/8-24 X 1-3/4" | 2 | |
| 4 | 11721 | FITTING, STR 6MJ-6MO | 3 | |
| 5 | 36993 | HOSE ASSY., 3/8" ID X 13.25"-6FJ X -6FJ 90° ENDS | 1 | |
| 6 | 16328 | FITTING, STR 6 MJ-12FJ | 1 | |
| 7 | 10136 | WASHER, FLAT SAE 3/8" | 2 | |
| 8 | 20910 | COVER 1.13 TUBE STAUFF | 2 | |
| 9 | 20911 | CLAMP 1.13 OD TUBE | 2 | |
| 10 | 0669 A | SCREW, HHC 5/16-18 X 2-1/4" | 2 | |

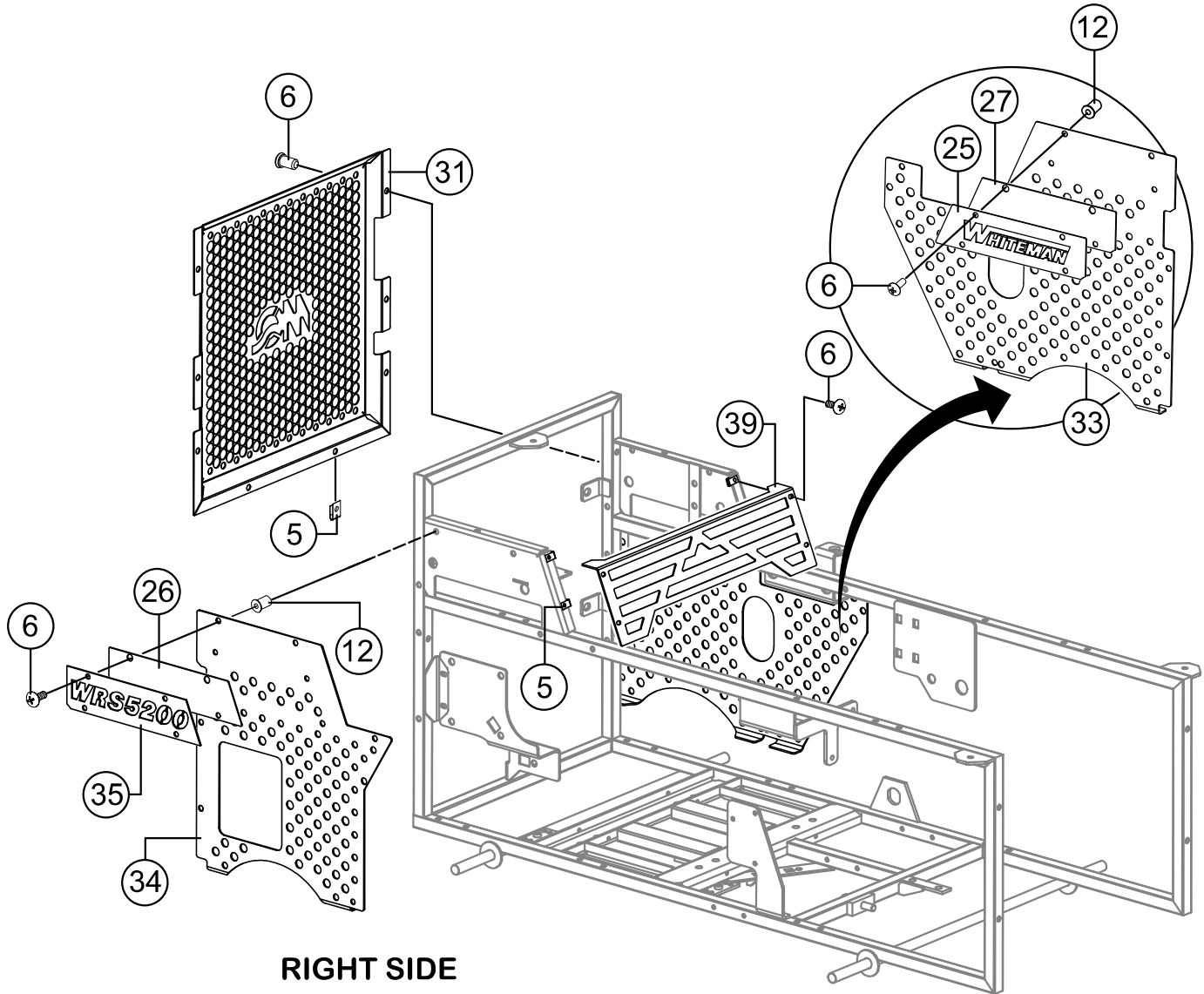
STRIKE TUBE MOTOR ASSY.



STRIKE TUBE MOTOR ASSY.

| <u>NO.</u> | <u>PART NO.</u> | <u>PART NAME</u> | <u>QTY.</u> | <u>REMARKS</u> |
|------------|-----------------|--|-------------|----------------|
| 1 | 16409 | MOTOR, STRIKE TUBE | 1 | |
| 2 | 16629 | NUT, NYLOC 1/2-13 GRD 8 | 2 | |
| 3 | 16630 | WASHER, FLAT SAE 1/2" | 2 | |
| 4 | 10024 | NUT, NYLOC 1/4-20 | 1 | |
| 5 | 4538 | SCREW, HHC 1/4-20 X 2-1/2" GRD 5 | 1 | |
| 6 | 0457 | SCREW, SHS 3/8-24 X 1/2" CUP POINT, ZINC | 2 | |
| 7 | 16298 | COUPLING, STRIKER TUBE | 1 | |
| 8 | 26323 | NUT, HEX JAM 5/8-18 | 2 | |
| 9 | 26293 | PIN, FRONT MOTOR | 2 | |
| 10 | 16525 | SCREW, HHC 1/2-13 X 1-1/2" GRD 8 | 2 | |
| 11 | 7170 | PIN, HITCH CLIP, 5/32" X 3-5/16" | 1 | |
| 12 | 26896 | FITTING, NUT 12 BLKHD JAM | 1 | |
| 13 | 16574 | HOSE ASSY., 5/8" ID X 80" - 10FJ X-12FJ ENDS | 1 | |
| 14 | 16333 | FITTING, STR 6MJ-6MJ BLKHD UNION | 1 | |
| 15 | 16576 | HOSE, 3/8" X 78" - 3/8FJ X 45° 3/8FJ | 1 | |
| 16 | 16581 | FITTING, 90° 6MJ-4MO | 1 | |
| 17 | 16336 | FITTING, 45° 10MJ-10MO | 2 | |
| 18 | 26294 | PLATE, MOTOR | 1 | |
| 19 | 16334 | FITTING, NUT 6 BLKHD JAM | 1 | |
| 20 | 0125 | KEY, WOODRUFF (HALF MOON) | 1 | |
| 21 | 60057 | PROTECTOR, SPIRAL HOSE..... | AR..... | 1PC=1FT |

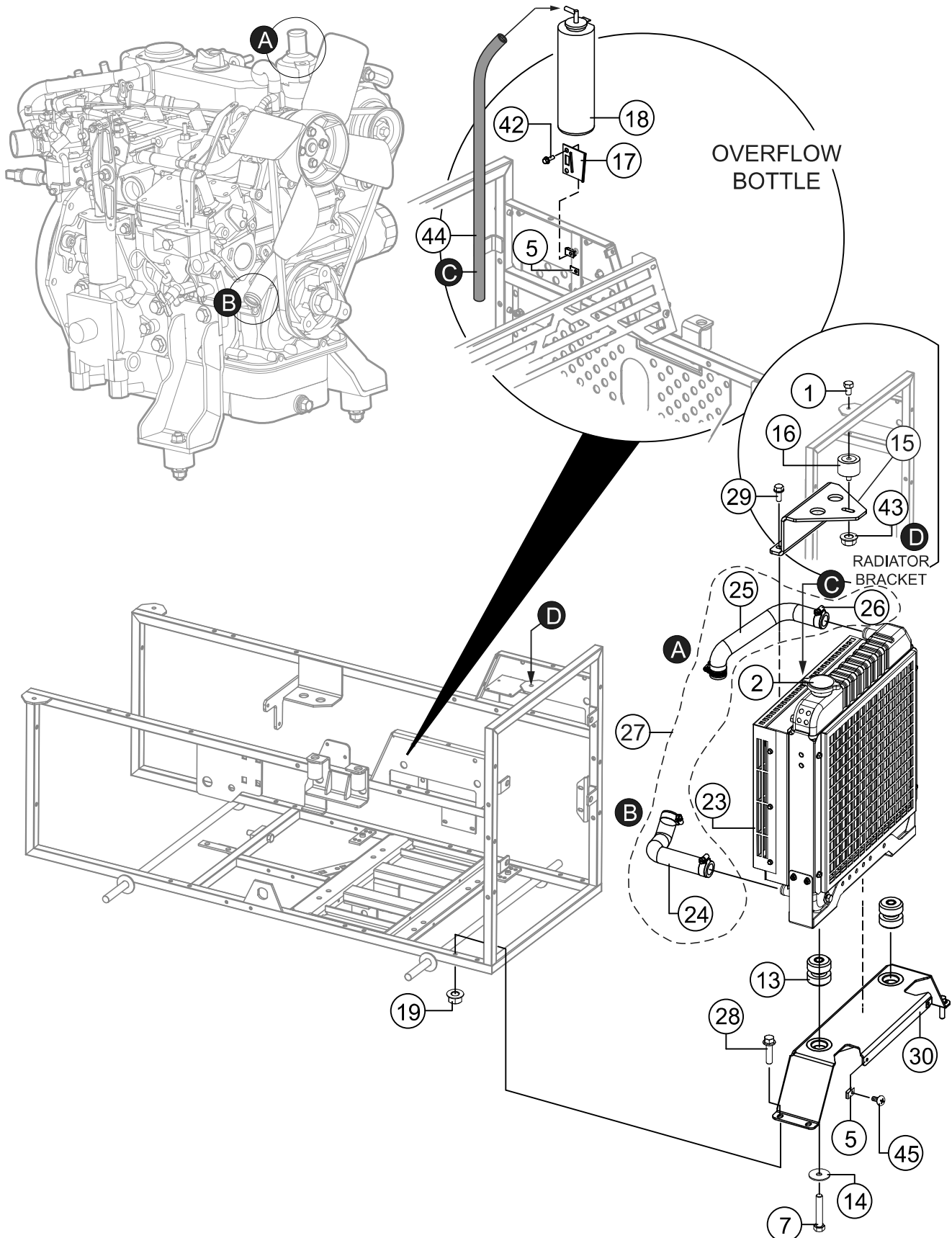
RADIATOR GUARD ASSY.



RADIATOR GUARD ASSY.

| <u>NO.</u> | <u>PART NO.</u> | <u>PART NAME</u> | <u>QTY.</u> | <u>REMARKS</u> |
|-------------------|------------------------|-------------------------------|--------------------|-----------------------|
| 5 | 11534 | NUT, "U" TYPE, 1/4-20 | 6 | |
| 6 | 30119 | SCREW, THP 1/4-20 X 3/4" SS | 30 | |
| 12 | 19266 | NUT, BLIND 1/4-20 X .027-.165 | 21 | |
| 25 | 32054 | PANEL, SIDE TRIM | 1 | |
| 26 | 32056 | PLATE, TRIM BACKING A | 1 | |
| 27 | 32057 | PLATE, TRIM BACKING B | 1 | |
| 31 | 36919 | GRILL W/A, FRONT | 1 | |
| 33 | 36941 | PANEL, LEFT | 1 | |
| 34 | 36942 | PANEL, RIGHT | 1 | |
| 35 | 36985 | BADGE, WRS5200 | 1 | |
| 39 | 46076 | GUARD, TOP ENGINE | 1 | |

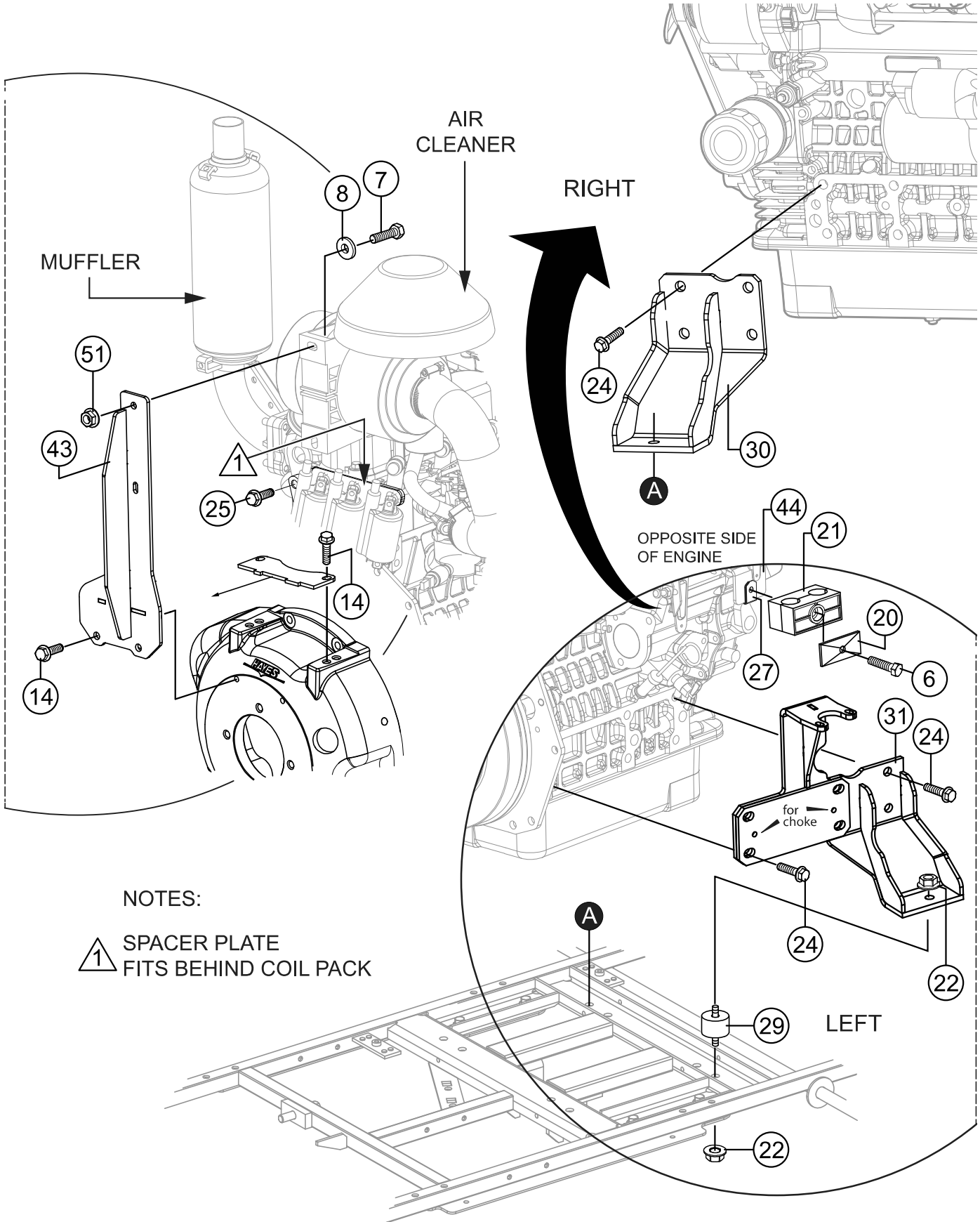
RADIATOR ASSY.



RADIATOR ASSY.

| <u>NO.</u> | <u>PART NO.</u> | <u>PART NAME</u> | <u>QTY.</u> | <u>REMARKS</u> |
|------------|-----------------|------------------------------------|-------------|------------------|
| 1 | 0400 B | SCREW HHC 5/16-18 X 1/2" | 1 | |
| 2 | 69300001 | CAP, RADIATOR | 1 | |
| 5 | 11534 | NUT, "U" TYPE, 1/4-20 | 16 | |
| 7 | 12318 | SCREW, HHC 1/2-13 X 2-3/4" | 2 | |
| 13 | 20742 | ISOLATOR, RB2 RING/BUSHING | 2 | |
| 14 | 20743 | WASHER, ISO SNUB | 2 | |
| 15 | 36940 | BRACKET, RADIATOR-TOP | 1 | |
| 16 | 21231 | ISOLATOR, PLATE-STUD 5/16" | 1 | |
| 17 | 21739 | BRACKET, RADIATOR BOTTLE | 1 | |
| 18 | 21740 | BOTTLE, RADIATOR | 1 | |
| 19 | 21781 | NUT, FLANGED 3/8-16 SERRATED PLTD | 4 | |
| 23 | 23729 | RADIATOR | 1 | |
| 24# | 68901053 | HOSE, RADIATOR, LOWER | 1 | |
| 25# | 68901054 | HOSE, RADIATOR, UPPER | 1 | |
| 26# | 88800049 | CLAMPS | 4 | |
| 27 | 23793 | HOSE KIT, RCP RADIATOR..... | 1 | INCLUDES ITEMS/# |
| 28 | 32380 | SCREW, HHFS 3/8-16 X 1-1/2" ZN | 4 | |
| 29 | 36720 | SCREW, HHFS 5/16-18 X 3/4" GRD 5 | 2 | |
| 30 | 36900 | MOUNT W/A, RADIATOR | 1 | |
| 42 | 49048 | SCREW, HHFS 1/4-20 X 3/4" GRD 5 | 7 | |
| 43 | 49071 | NUT, FLANGED 5/16-18 SERRATED PLTD | 1 | |
| 44 | 60146 | HOSE, RADIATOR OVERFLOW 5/16" ID | 1 | |
| 45 | 30119 | SCREW, HHFS 1/4-20 X 3/4" GRD 5 | 2 | |

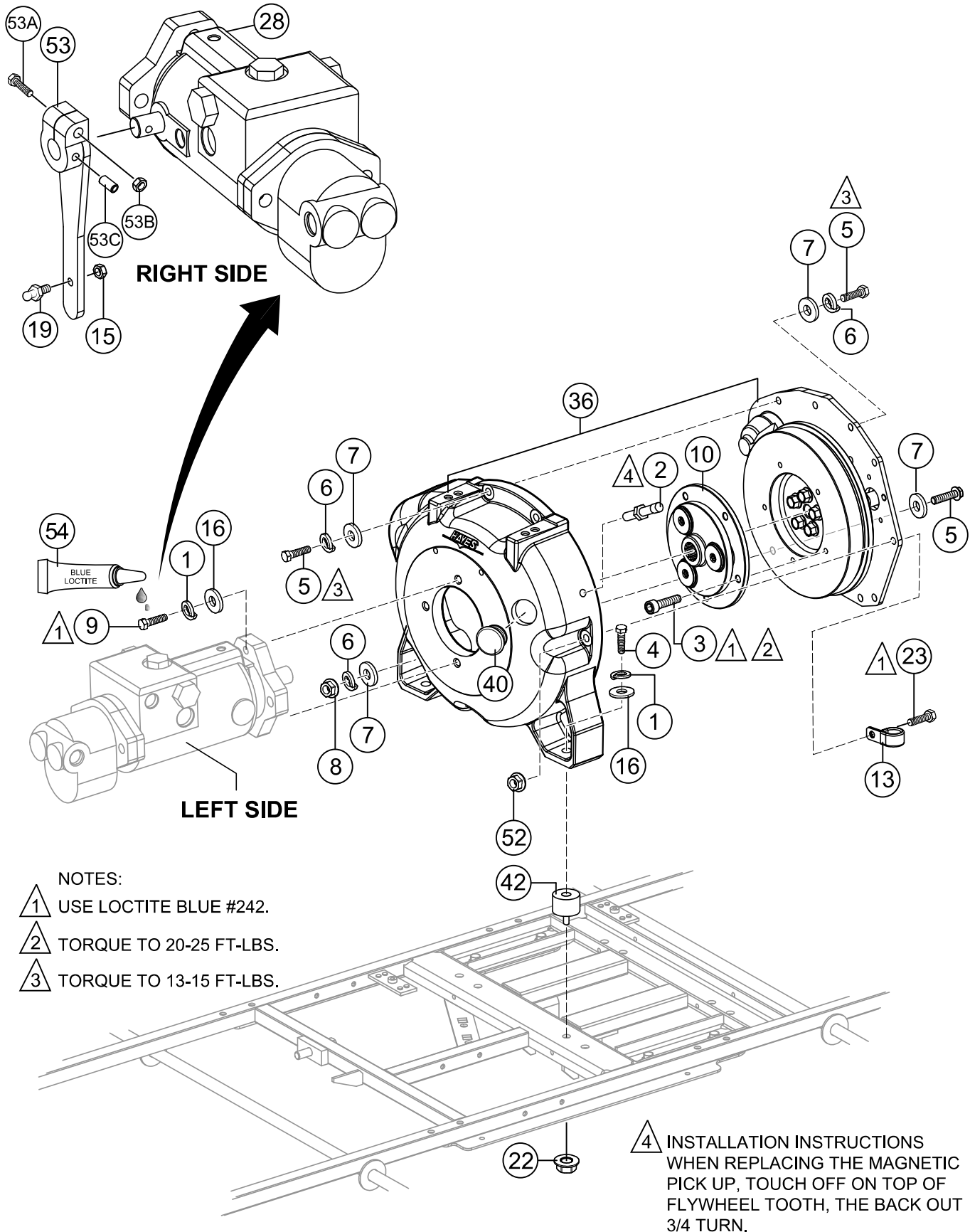
ENGINE AND AIR CLEANER MOUNTING ASSY.



ENGINE AND AIR CLEANER MOUNTING ASSY.

| <u>NO.</u> | <u>PART NO.</u> | <u>PART NAME</u> | <u>QTY.</u> | <u>REMARKS</u> |
|-------------------|------------------------|-------------------------------------|--------------------|-----------------------|
| 6 | 0669 A | SCREW, HHC 5/16-18 X 2-1/4" | 1 | |
| 7 | 0730 | SCREW, HHC 1/4-20 X 1" | 2 | |
| 8 | 0948 | WASHER, FLAT SAE 1/4" | 2 | |
| 14 | 9091 | SCREW, HHFS 5/16-18 X 1" GRD 5 | 4 | |
| 20 | 20912 | COVER,0.75 OD TUBE | 1 | |
| 21 | 20913 | CLAMP, 0.75 OD TUBE | 1 | |
| 22 | 21781 | NUT, FLANGED 3/8-16 SERRATED PLTD | 6 | |
| 24 | 23767 | SCREW. HHF M10-1.25 X 20MM GRD 10.9 | 11 | |
| 25 | 23792 | SCREW, HHFS M8-1.25 X 30MM | 2 | |
| 27 | 35358 | NUT, U, 5/16-18 X .05/.20 PANEL | 1 | |
| 29 | 36883 | ISOLATOR, VIBRATION | 2 | |
| 30 | 36906 | MOUNT W/A, ENGINE-RIGHT | 1 | |
| 31 | 36909 | MOUNT W/A, ENGINE-LEFT | 1 | |
| 43 | 46090 | MOUNT W/A, AIR CLEANER | 1 | |
| 44 | 46127 | BRACKET, RADIATOR HOSE CLAMP | 1 | |
| 51 | 49070 | NUT, FLANGED 1/4-20 SERRATED PLTD | 2 | |

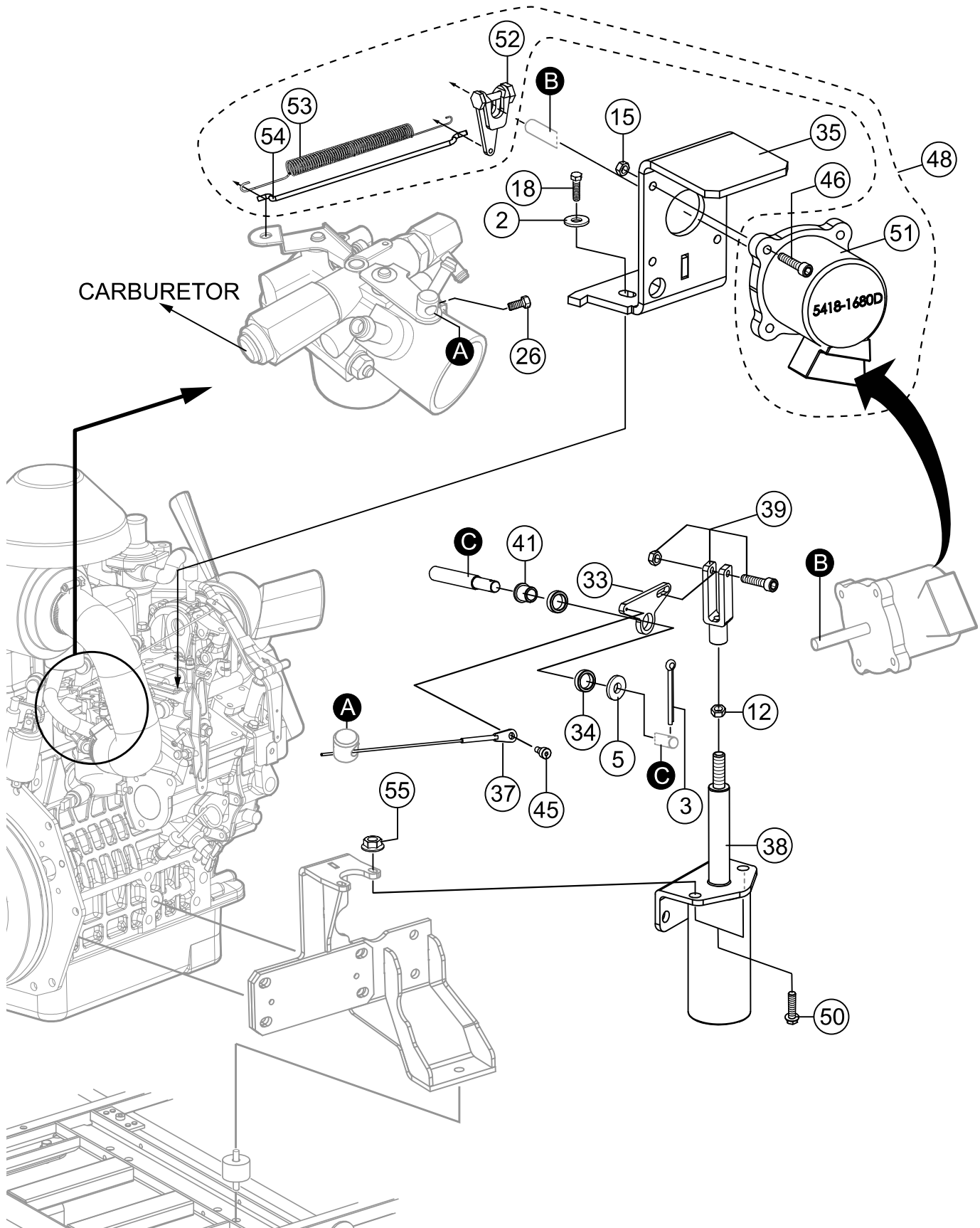
PUMP/HOUSING AND COUPLER ASSY.



PUMP/HOUSING AND COUPLER ASSY.

| <u>NO.</u> | <u>PART NO.</u> | <u>PART NAME</u> | <u>QTY.</u> | <u>REMARKS</u> |
|------------|-----------------|------------------------------------|-------------|----------------|
| 1 | 0166 A | WASHER, LOCK, 3/8" MED. | 4 | |
| 2 | 46087 | SENSOR, MAGNETIC PICKUP | 1 | |
| 3 | | SCREW, SHC M8-1.25 X 20MM..... | AR | OBTAIN LOCALLY |
| 4 | 0205 | SCREW, HHC 3/8-16 X 1" | 2 | |
| 5 | | SCREW, HHC M8-1.25 X 35MM | AR | OBTAIN LOCALLY |
| 6 | | WASHER, LOCK M8 | AR | OBTAIN LOCALLY |
| 7 | | WASHER, FLAT M8..... | AR | OBTAIN LOCALLY |
| 8 | | NUT, M8-1.25..... | AR | OBTAIN LOCALLY |
| 9 | 1023 | SCREW, HHC 3/8-16 X 1-1/4" GRD 5 | 2 | |
| 10 | 36988-1 | FLYWHEEL COUPLER | 1 | |
| 13 | 8125 | CLAMP, HOSE SUPPORT 5/8" | 1 | |
| 15 | 10019 | NUT, NYLOC 10-32 | 5 | |
| 16 | 10136 | WASHER FLAT SAE 3/8" | 4 | |
| 19 | 16396 | BALL JOINT, QUICK CONNECT | 1 | |
| 22 | 21781 | NUT, FLANGED 3/8-16 SERRATED PLTD | 6 | |
| 23 | 22174 | SCREW, HHFS 5/16-18 X 1-3/4" GRD 5 | 1 | |
| 28 | 36634 | PUMP, COMBINATION | 1 | |
| 36 | 36988 | COUPLER | 1 | |
| 40 | 46050 | PLUG, HOUSING | 1 | |
| 42 | 46063 | ISOLATOR VIBRATION | 2 | |
| 52 | 49071 | NUT, FLANGED 5/16-18 SERRATED PLTD | 1 | |
| 53 | 3911421 | CASTING, PUMP LEVER | 1 | |
| 53A\$ | | BOLT, 5/16-24 X 1-3/4" | 1 | OBTAIN LOCALLY |
| 53B\$ | | NUT, NYLOC 5/16-24 | 1 | OBTAIN LOCALLY |
| 53C\$ | | ROLL PIN | 1 | OBTAIN LOCALLY |
| 54 | 1477 | LOCTITE, #242 BLUE | AR | |

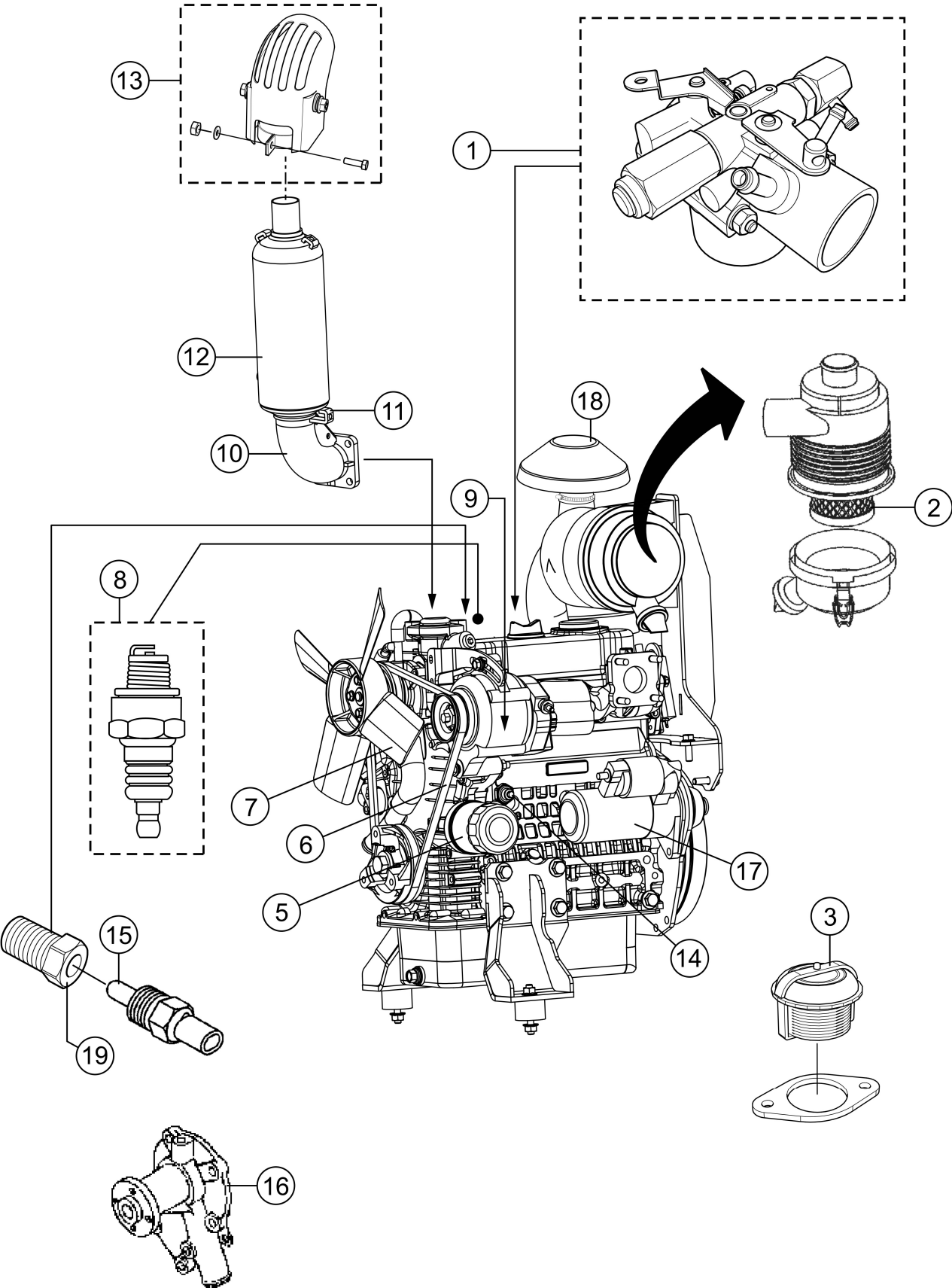
CHOKE AND THROTTLE ASSY.



CHOKE AND THROTTLE ASSY.

| <u>NO.</u> | <u>PART NO.</u> | <u>PART NAME</u> | <u>QTY.</u> | <u>REMARKS</u> |
|------------|-----------------|--------------------------------------|-------------|---------------------|
| 2 | 0181 B | WASHER, LOCK 1/4" MED | 3 | |
| 3 | 0183 | PIN, COTTER 1/8" DIA. X 1-1/4" | 1 | |
| 5 | 3008 | WASHER, FLAT SAE 5/16" | 1 | |
| 12 | 6904 | NUT, HEX FINISH 1/4-28 ZN | 1 | |
| 15 | 10019 | NUT, NYLOC 10-32 | 5 | |
| 17 | 11534 | NUT, "U" TYPE, 1/4-20 | 2 | |
| 18 | 12464 | SCREW, HHC M6-1.0 X 16MM | 3 | |
| 26 | 28922-060 | SCREW, HHC M4-0.7 X 10MM | 1 | |
| 33 | 36974 | LEVER, CHOKE | 1 | |
| 34 | 36975 | HUB, CHOKE LEVER | 2 | |
| 35 | 36976 | MOUNT, W/A, THROTTLE CONTROLLER | 1 | |
| 37 | 36992 | CABLE, CHOKE | 1 | |
| 38 | 46046 | SOLENOID, CHOKE | 1 | |
| 39 | 46047 | CLEVIS YOKE, CHOKE SOLENOID | 1 | |
| 41 | 46055 | GLIDE, CHOKE ROCKER | 1 | |
| 45 | 46128 | BOLT, STRIPPER 3/16" DIA. X 3/16" SS | 1 | |
| 46 | 46129 | SCREW, SHC 10-32 X 1" PLTD. | 4 | |
| 48 | 46147 | KIT, ELECTRONIC GOVENOR | 1 | INCLUDES ITEMS W/\$ |
| 50 | 49048 | SCREW HHFS 1/4-20 X 3/4" GRD 5 | 2 | |
| 51\$ | 46048 | CONTROLLER, SPEED | 1 | |
| 52\$ | 46130 | LEVER, THROTTLE | 1 | |
| 53\$ | 46132 | SPRING, THROTTLE CONTROL | 1 | |
| 54\$ | 46131 | ROD, THROTTLE CONTROL | 1 | |
| 55 | 49070 | NUT, FLANGED 1/4-20 SERRATED PLTD | 2 | |

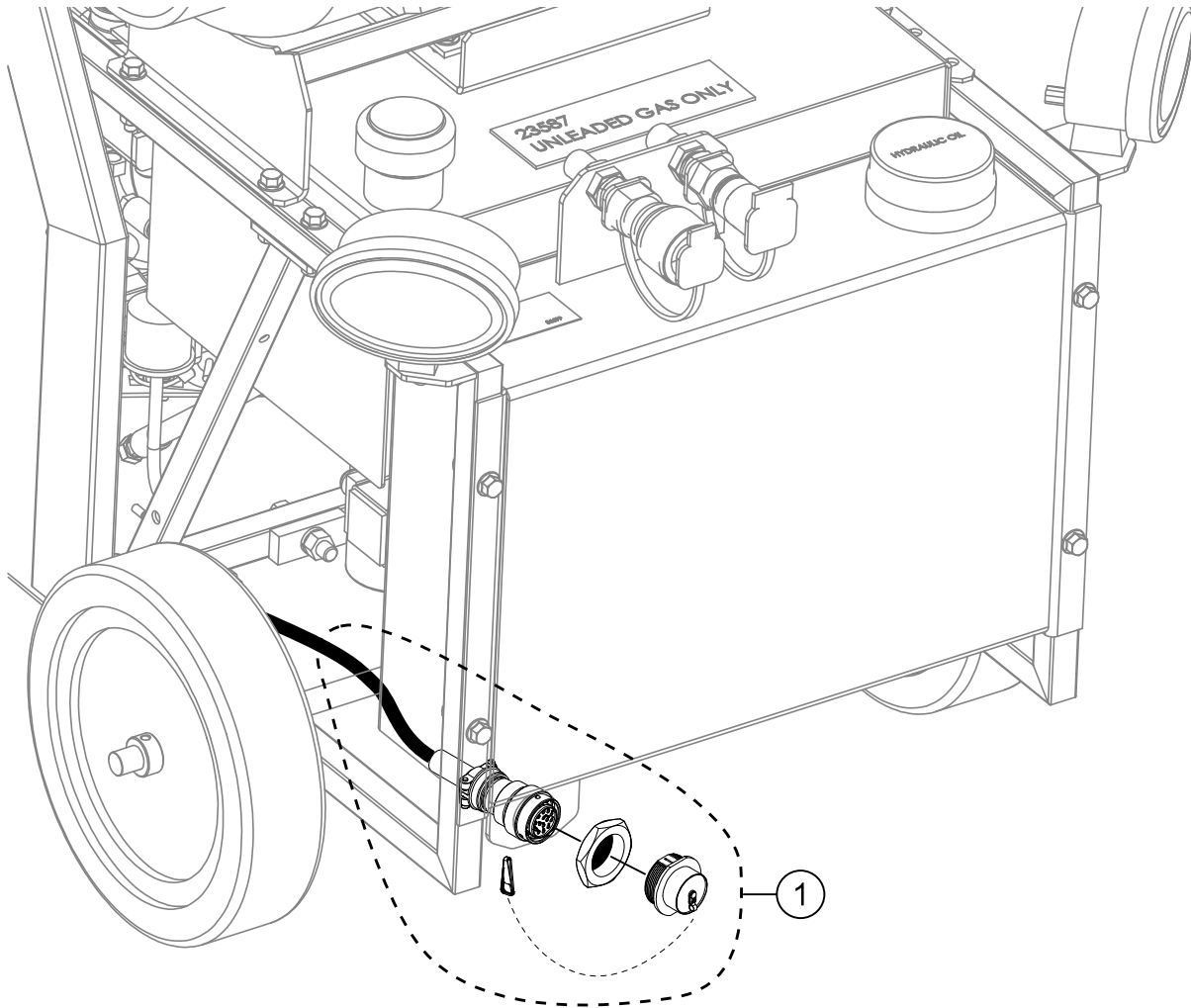
ENGINE ASSY.



ENGINE ASSY.

| <u>NO.</u> | <u>PART NO.</u> | <u>PART NAME</u> | <u>QTY.</u> | <u>REMARKS</u> |
|------------|-----------------|---------------------------|-------------|----------------|
| 1 | 23725-24 | CARBURETOR | 1 | |
| 2 | 1G65911222 | AIR FILTER ELEMENT | 1 | |
| 3 | 23725-28 | THERMOSTAT ASSY. | 1 | |
| 4 | 1622173270 | GASKET, THERMOSTAT | 1 | |
| 5 | 1585332435 | OIL FILTER | 1 | |
| 6 | 23725-07 | V-BELT | 1 | |
| 7 | 6C04058510 | FAN, 5-BLADE | 1 | |
| 8 | 23725-26 | SPARK PLUG | 3 | |
| 9 | 1667864012 | ALTERNATOR | 1 | |
| 10 | 1491112470 | ELBOW COVER, MUFFLER | 1 | |
| 11 | 1443112430 | BAND, MUFFLER | 1 | |
| 12 | EG80112110 | MUFFLER | 1 | |
| 13 | EG80154510 | RAIN CAP, MUFFLER | 1 | |
| 14 | 23725-31 | SWITCH, OIL PRESSURE | 1 | |
| 15 | 23725-30 | SWITCH, WATER TEMPERATURE | 1 | |
| 16 | 23725-20 | WATER PUMP ASSY. W/GASKET | 1 | |
| 17 | 23725-04 | STARTER ASSY. | 1 | |
| 18 | 1G65911350 | RAIN CAP, AIR CLEANER | 1 | |
| 19 | 46214 | FITTING, STR 6MP X 2FP | 1 | |

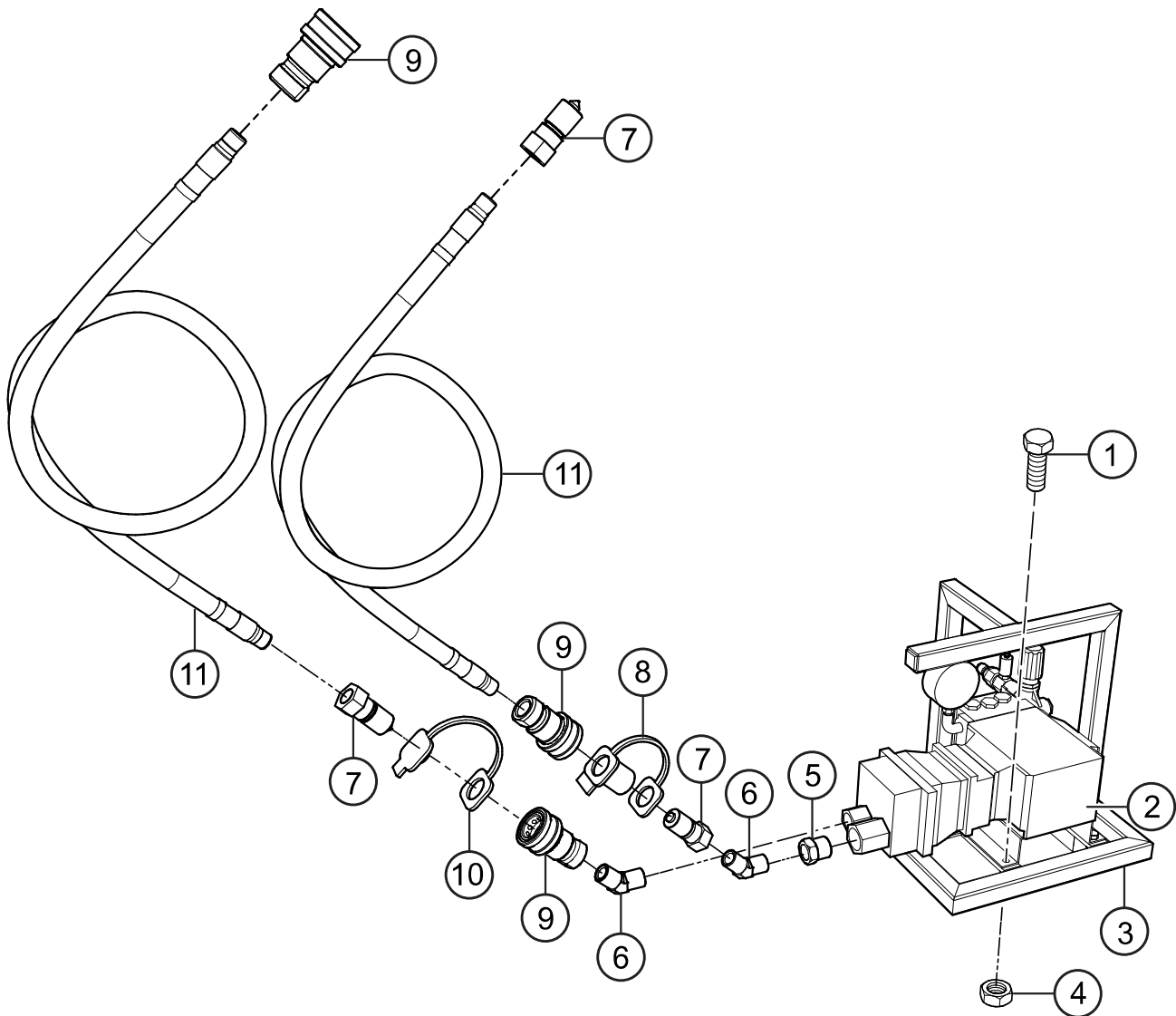
POWER CABLE/ENGINE CONTROLLER ASSY.



POWER CABLE/ENGINE CONTROLLER ASSY.

| <u>NO.</u> | <u>PART NO.</u> | <u>PART NAME</u> | <u>QTY.</u> | <u>REMARKS</u> |
|------------|-----------------|----------------------|-------------|----------------|
| 1 | 46172 | ENGINE HARNESS ASSY. | 1 | |

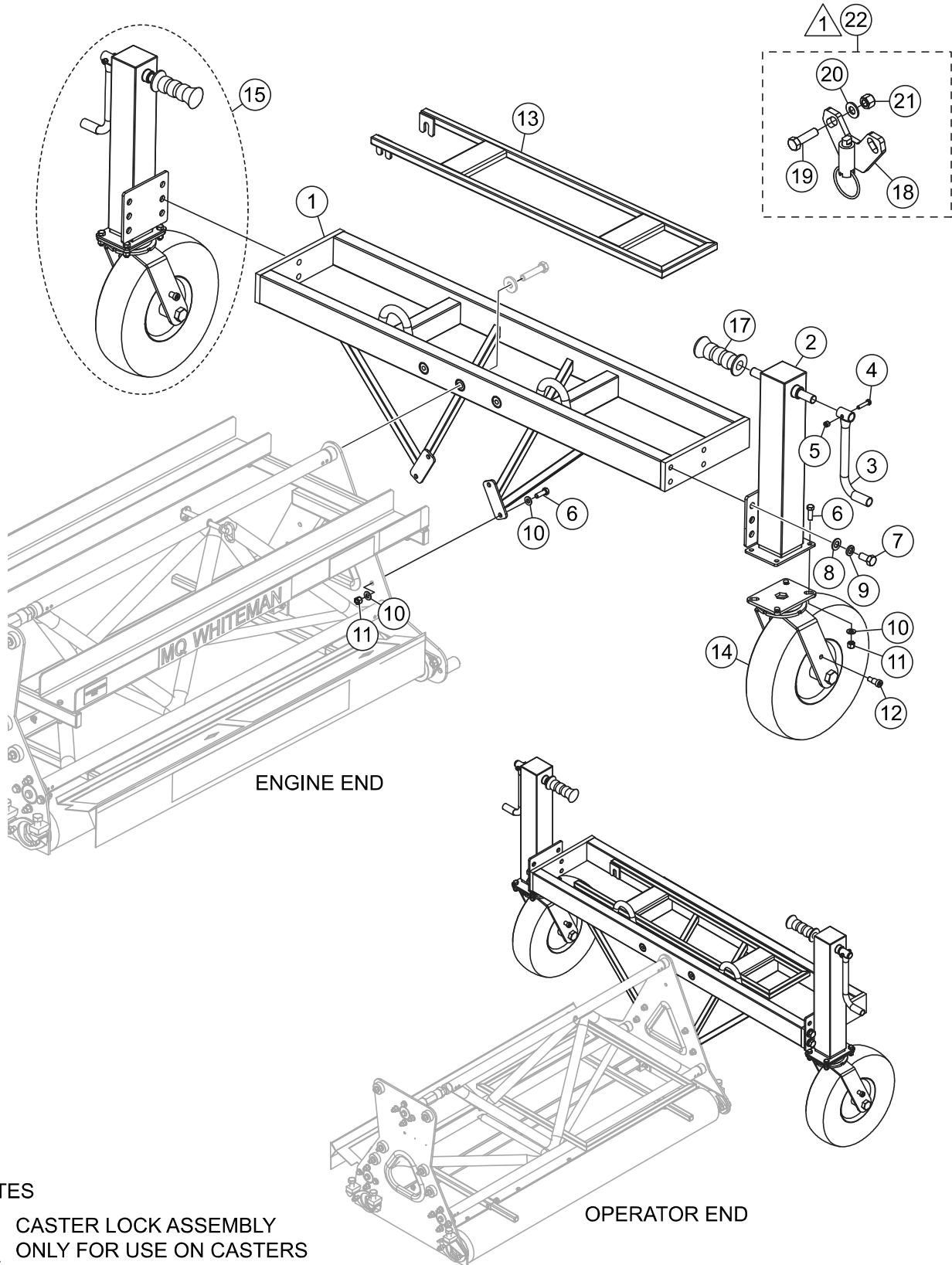
PRESSURE WASHER ASSY.



PRESSURE WASHER ASSY.

| <u>NO.</u> | <u>PART NO.</u> | <u>PART NAME</u> | <u>QTY.</u> | <u>REMARKS</u> |
|-------------------|------------------------|---------------------------------------|--------------------|-----------------------|
| 1 | 0655 | SCREW, HHC 5/16"-18 X 3/4" | 4 | |
| 2 | 16407 | PRESSURE WASHER | 1 | |
| 3 | 16741 | FRAME, PRESSURE WASHER | 1 | |
| 4 | 5283 | NUT, NYLOC 5/16"-18 | 4 | |
| 5 | 16585 | FITTING, BUSH 1/2FP X 3/4MP STEEL | 1 | |
| 6 | 16590 | FITTING, 1/2MP X 1/2MP 45 ELB | 2 | |
| 7 | 16565 | FITTING, QD PARKER H4-63 MALE 1/2FP | 3 | |
| 8 | 16569 | CAP, DUST PARKER H4-66M | 1 | |
| 9 | 16564 | FITTING, QD FEM 1/2FP-H4-62 | 3 | |
| 10 | 16568 | PLUG, DUST PARKER H4-65M | 1 | |
| 11 | 16573 | HOSE, OAL 74",100R17 8SBX1/2 NMPTENDS | 2 | |

CASTER ASSY.



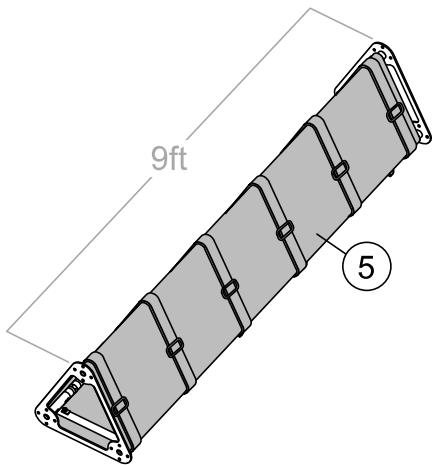
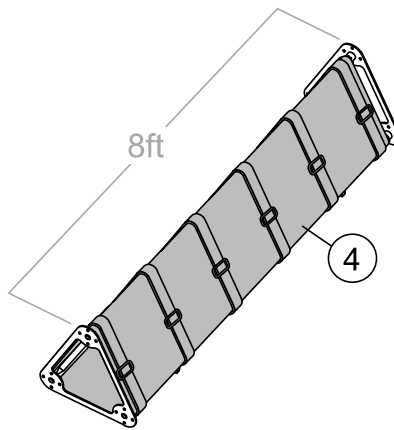
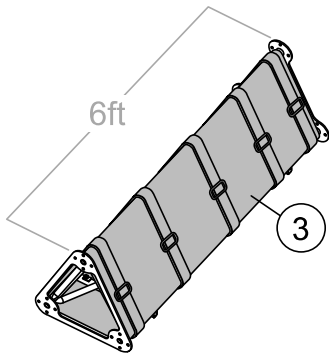
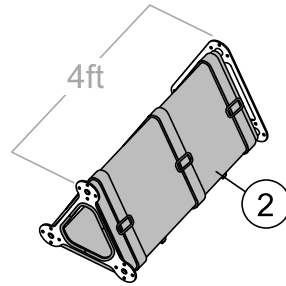
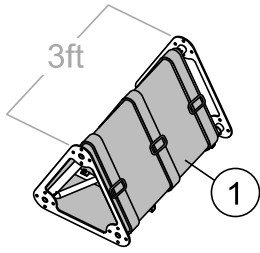
NOTES

- 1
 CASTER LOCK ASSEMBLY
 ONLY FOR USE ON CASTERS
 WITH ROUND BASES

CASTER ASSY.

| <u>NO.</u> | <u>PART NO.</u> | <u>PART NAME</u> | <u>QTY.</u> | <u>REMARKS</u> |
|------------|-----------------|----------------------------------|-------------|---|
| 1 | 26588 | BRACKET, CASTER | 2 | |
| 2% | 16683 | JACK, SCREED | 4 | |
| 3% | 16685 | HANDLE, JACK | 4 | |
| 4% | 9154 | SCREW, HHC 3/8-16 X 1-3/4" | 4 | |
| 5% | 10133 | NUT, NYLOC 3/8-16 | 4 | |
| 6% | 16525 | SCREW, HHC 1/2-13 X 1-1/2" GRD 8 | 24 | |
| 7% | 16523 | SCREW, HHC 3/4-10 X 1-1/2" GRD 8 | 16 | |
| 8% | 8151 | WASHER, FLAT SAE 3/4" | 16 | |
| 9% | 4388 | WASHER, LOCK, 3/4" | 16 | |
| 10% | 16630 | WASHER, FLAT SAE 1/2" | 24 | |
| 11% | 16629 | NUT, NYLOC 1/2-13 GRD 8 | 24 | |
| 12% | 16627 | BOLT, SHOULDER 5/8" X 3/4" PLTD | 8 | |
| 13 | 16378 | PULL HANDLE | 2 | |
| 14% | 16231 | CASTER | 2 | |
| 15 | 26332 | JACK ASSY..... | 4 | INCLUDES ITEMS W/% |
| 17% | 22762 | GRIP, HANDLE | 4 | |
| 18# | 36862 | LOCK, CASTER | 1 | |
| 19# | 16526 | SCREW, HHC 1/2-13 X 1-3/4" GRD 8 | 2 | |
| 20# | 16630 | WASHER, FLAT SAE 1/2" | 2 | |
| 21# | 16629 | NUT, NYLOC 1/2-13 GRD 8 | 2 | |
| 22 | 36832 | CASTER LOCK ASSY..... | 1 | INCLUDES ITEMS W/# SEE NOTE ON DRAWING |

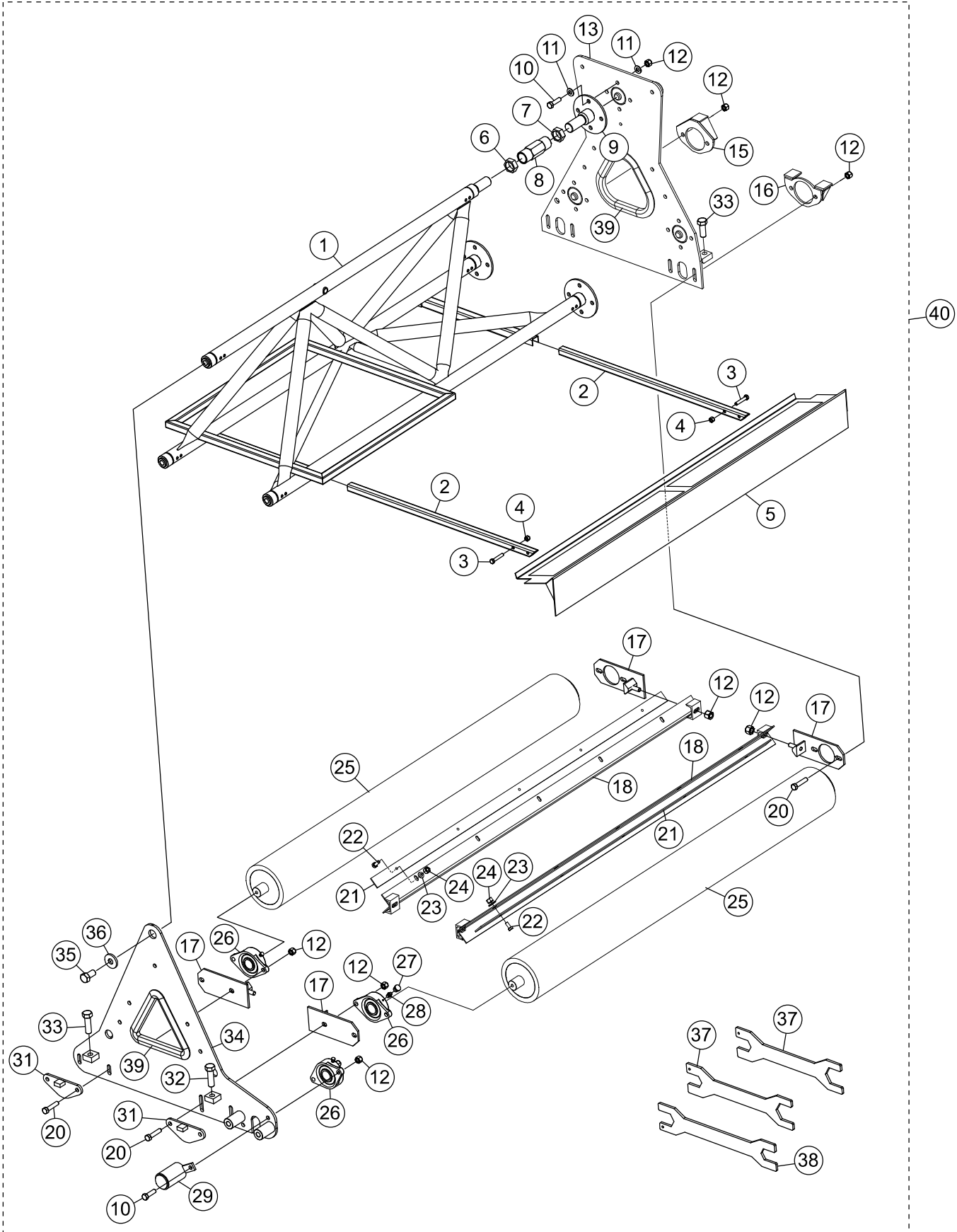
TARP ASSEMBLIES



TARP ASSEMBLIES

| <u>NO.</u> | <u>PART NO.</u> | <u>PART NAME</u> | <u>QTY.</u> | <u>REMARKS</u> |
|------------|-----------------|------------------|-------------|----------------|
| 1 | 26317 | 3' TARP | 1 | |
| 1 | 36150 | 3' TARP LEFT | 1 | |
| 2 | 26318 | 4' TARP | 1 | |
| 3 | 26319 | 6' TARP | 1 | |
| 4 | 26320 | 8' TARP | 1 | |
| 5 | 26321 | 9' TARP | 1 | |

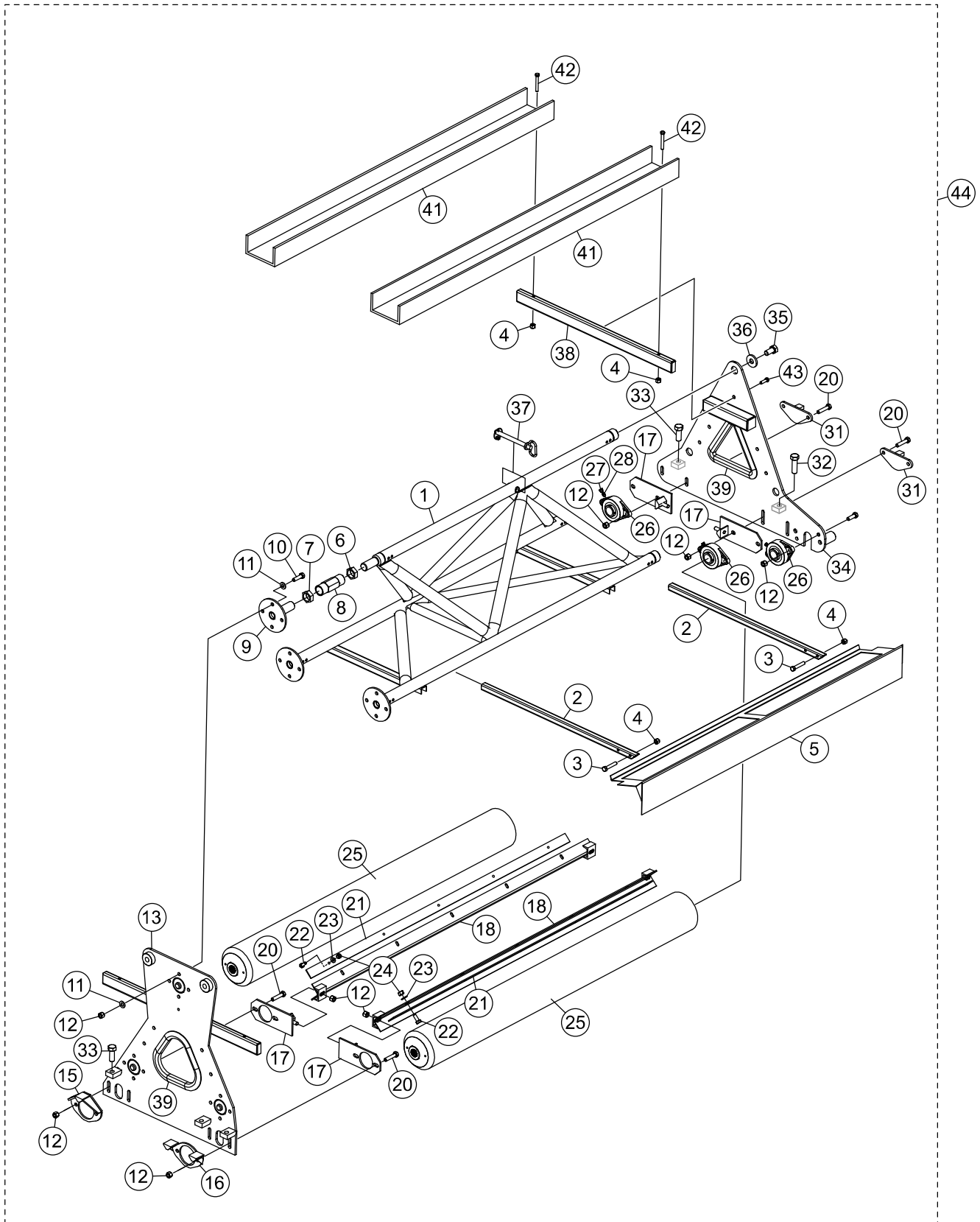
5' FRAME ASSY. (OPERATOR END)



5' FRAME ASSY. (OPERATOR END)

| <u>NO.</u> | <u>PART NO.</u> | <u>PART NAME</u> | <u>QTY.</u> | <u>REMARKS</u> |
|------------|-----------------|--|-------------|--------------------|
| 1@ | 16547 | FRAME SECTION, 5' OPER. END | 1 | |
| 2@ | 36477 | ARM, SCRAPER 5' | 2 | |
| 3@ | 1665 | SCREW, HHC 3/8-16 X 2" | 4 | |
| 4@ | 10133 | NUT, NYLOC 3/8-16 | 4 | |
| 5@ | 36461 | SCRAPER, 5' OPER. | 1 | |
| 6@ | 16516 | NUT, JAM 1-5/16-16 LEFT HAND | 1 | |
| 7@ | 16515 | NUT, JAM 1-5/16-16 RIGHT HAND | 1 | |
| 8@ | 16514 | TURNBUCKLE 1-5/16-16 | 1 | |
| 9@ | 16667 | TURNBUCKLE, DRIVE TUBE | 1 | |
| 10@ | 16526 | SCREW, HHC 1/2-13 X 1-3/4" GRD 8 | 14 | |
| 11@ | 16630 | WASHER, FLAT SAE 1/2" | 24 | |
| 12@ | 16629 | NUT, NYLOC 1/2-13 GRD 8 | 22 | |
| 13@ | 36784 | PLATE, INNER W/A CE 2 MOTOR | 1 | |
| 15@ | 36779 | MOUNT, HYD MOTOR REAR | 1 | |
| 16@ | 26004 | PLATE, 2-DRIVE MOTOR | 1 | |
| 17@ | 16974 | MOUNT, SOLID WIPER 2-MOTOR | 4 | |
| 18@ | 16658 | WIPER, SOLID | 2 | |
| 20@ | 16781 | SCREW, HHC 1/2-13 X 2-1/4" GRD 8 | 8 | |
| 21@ | 16868 | BAR, SCRAPER | 2 | |
| 22@ | 0655 | SCREW, HHC 5/16-18 X 3/4" | 10 | |
| 23@ | 0300 B | WASHER, FLAT SAE 5/16" | 10 | |
| 24@ | 5283 | NUT, NYLOC 5/16-18 | 10 | |
| 25@ | 26030 | TUBE, FRONT AND REAR | 2 | |
| 26@ | 16223 | BEARING, SEAL MASTER | 3 | |
| 27@ | 1162 A | CAP, GREASE ZERK, #2 YELLOW | 3 | |
| 28@ | 2621 | FITTING, GREASE ZERK STR 1/4"-28 | 3 | |
| 29@ | 36620 | GUARD, ST SHAFT | 1 | |
| 31@ | 16538 | BEARING ADJUSTMENT SHORT | 2 | |
| 32@ | 16890 | SCREW, HHC TAP 3/4" X 2-1/2" GRD 5 GLD. PLTD | 1 | |
| 33@ | 16529 | SCREW, HHC 3/4-10 X 2" GRD 8 | 4 | |
| 34@ | 26000 | PLATE, OUTER CE 2-MOTOR | 1 | |
| 35@ | 16523 | SCREW, HHC 3/4-10 X 1-1/2 GRD 8 | 3 | |
| 36@ | 16255 | MOUNT, AXLE POWER UNIT | 3 | |
| 37@ | 16497 | WRENCH, LARGE DOUBLE | 2 | |
| 38@ | 16496 | WRENCH, SMALL DOUBLE | 1 | |
| 39@ | 60055 | TRIM EDGE, 5/16" X 3' | 2 | |
| 40 | 26329 | 5' FRAME SECTION OPER. END | 1 | INCLUDES ITEMS W/@ |

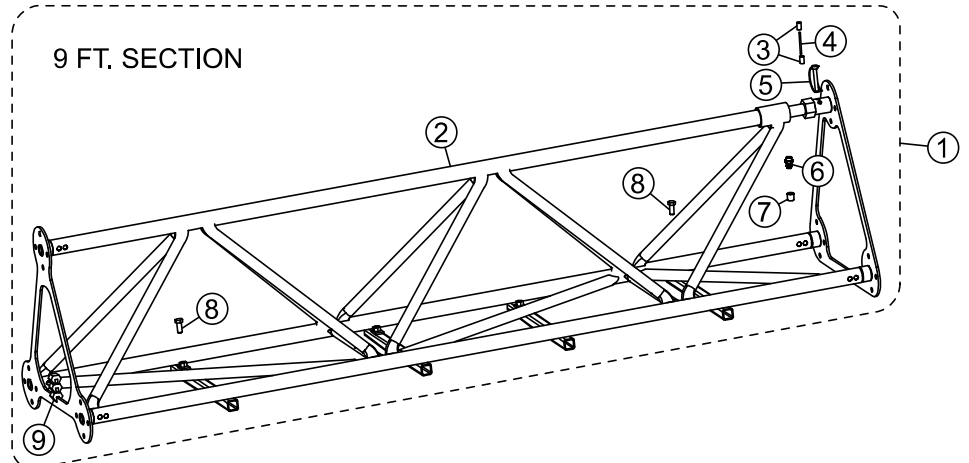
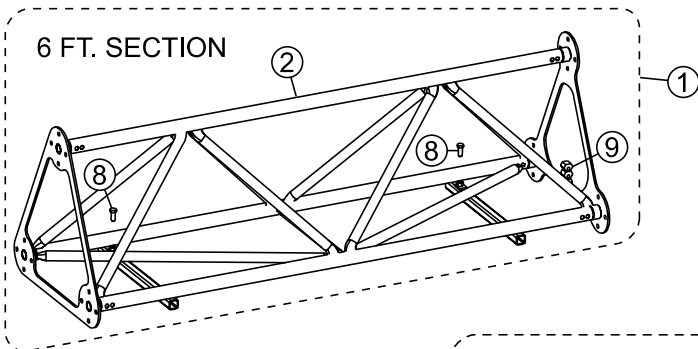
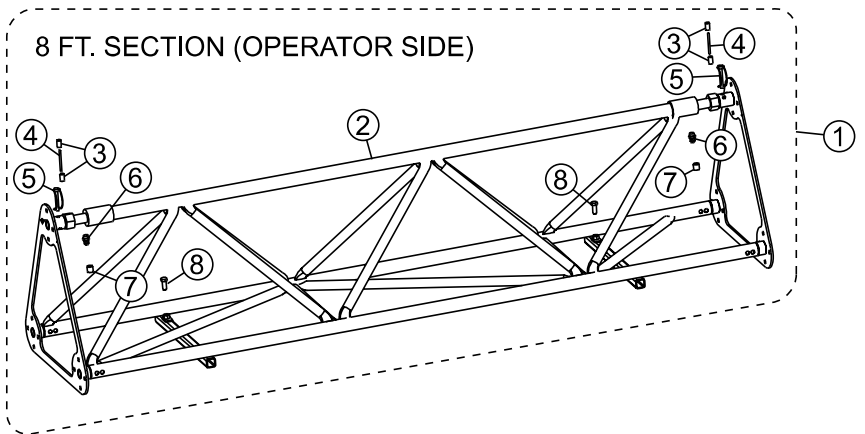
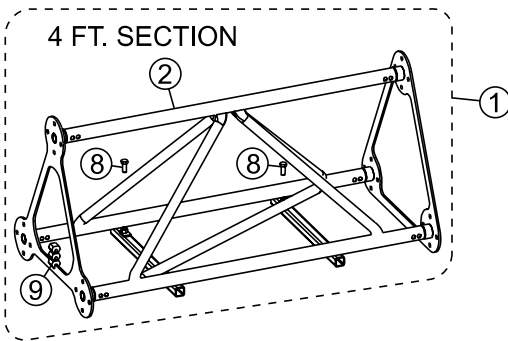
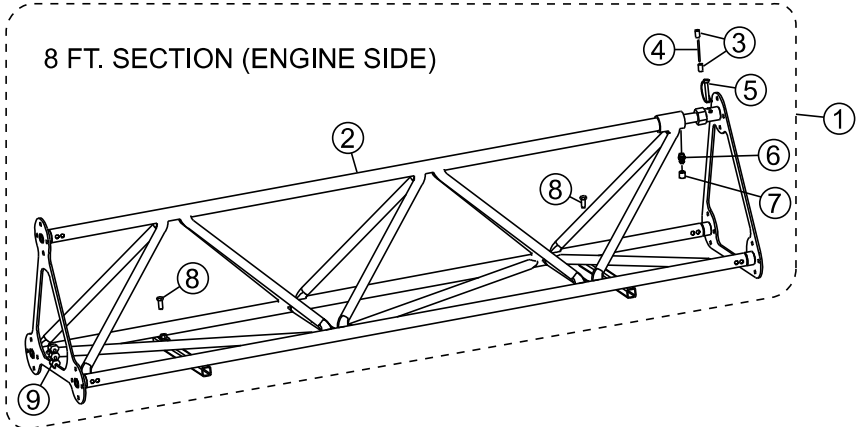
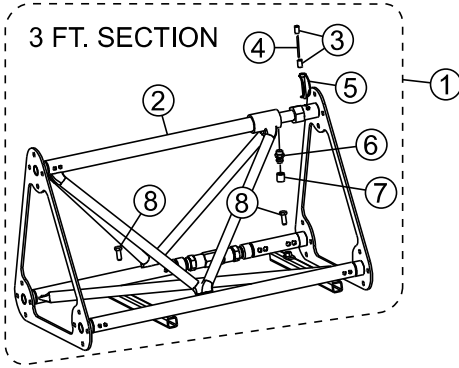
5' FRAME ASSY. (ENGINE END)



5' FRAME ASSY. (ENGINE END)

| <u>NO.</u> | <u>PART NO.</u> | <u>PART NAME</u> | <u>QTY.</u> | <u>REMARKS</u> |
|------------|-----------------|--|-------------|--------------------|
| 1@ | 16551 | FRAME SECTION, 5' ENG END | 1 | |
| 2@ | 36477 | ARM, SCRAPER 5' | 2 | |
| 3@ | 1665 | SCREW, HHC 3/8-16 X 2" | 4 | |
| 4@ | 10133 | NUT, NYLOC 3/8-16 | 8 | |
| 5@ | 36462 | SCRAPER, 5' ENG | 1 | |
| 6@ | 16516 | NUT, JAM 1-5/16-16 LEFT HAND | 1 | |
| 7@ | 16515 | NUT, JAM 1-5/16-16 RIGHT HAND | 1 | |
| 8@ | 16514 | TURNBUCKLE, 1-5/16-16 | 1 | |
| 9@ | 16667 | TURNBUCKLE, DRIVE TUBE | 1 | |
| 10@ | 16526 | SCREW, HHC 1/2-13 X 1-3/4" GRD 8 | 12 | |
| 11@ | 16630 | WASHER, FLAT SAE 1/2" | 24 | |
| 12@ | 16629 | NUT, NYLOC 1/2-13 GRD 8 | 22 | |
| 13@ | 36783 | PLATE, INNER W/A-PU 2 MOTOR | 1 | |
| 15@ | 36779 | MOUNT, HYD. MOTOR REAR | 1 | |
| 16@ | 26004 | PLATE, 2-DRIVE MOTOR | 1 | |
| 17@ | 16974 | MOUNT, SOLID WIPER 2-MOTOR | 4 | |
| 18@ | 16658 | WIPER, SOLID | 2 | |
| 20@ | 16781 | SCREW, HHC 1/2-13 X 2-1/4" GRD 8 | 8 | |
| 21@ | 16868 | BAR, SCRAPER | 2 | |
| 22@ | 0655 | SCREW, HHC 5/16-18 X 3/4" | 10 | |
| 23@ | 0300 B | WASHER, FLAT SAE 5/16" | 10 | |
| 24@ | 5283 | NUT, NYLOC 5/16-18 | 10 | |
| 25@ | 26030 | TUBE, FRONT AND REAR | 2 | |
| 26@ | 16223 | BEARING, SEAL MASTER | 3 | |
| 27@ | 1162 A | CAP, GREASE ZERK, #2 YELLOW | 3 | |
| 28@ | 2621 | FITTING, GREASE ZERK STR 1/4-28 | 3 | |
| 31@ | 16538 | BEARING ADJUSTMENT SHORT | 2 | |
| 32@ | 16890 | SCREW, HHC TAP 3/4" X 2-1/2" GRD 5 GLD. PLTD | 1 | |
| 33@ | 16529 | SCREW, HHC 3/4-10 X 2" GRD 8 | 4 | |
| 34@ | 26002 | PLATE, OUTER W/A PU 2-MOTOR | 1 | |
| 35@ | 16523 | SCREW, HHC 3/4-10 X 1-1/2" GRD 8 | 3 | |
| 36@ | 16255 | MOUNT, AXLE POWER UNIT | 3 | |
| 37@ | 19280 | PIN, 5/8" X 6" | 1 | |
| 38@ | 26977 | MOUNT, ENGINE OUTER | 1 | |
| 39@ | 60055 | TRIM EDGE, 5/16" X 3' | 2 | |
| 41@ | 16446 | MOUNT, POWER UNIT CHANNEL | 2 | |
| 42@ | 1121 | SCREW, HHC 3/8-16 X 2-3/4" | 4 | |
| 43@ | 1023 | SCREW, HHC 3/8-16 X 1-1/4" GRD 5 | 1 | |
| 44 | 26330 | ENGINE/FRAME ASSY..... | 1 | INCLUDES ITEMS W/@ |

3', 4', 6', 8' AND 9' FRAME SECTION ASSEMBLIES



3', 4', 6', 8' AND 9' FRAME SECTION ASSEMBLIES

3 ft. Frame Section

| <u>NO.</u> | <u>PART NO.</u> | <u>PART NAME</u> | <u>QTY.</u> | <u>REMARKS</u> |
|------------|-----------------|---------------------------------------|-------------|--------------------|
| 1 | 36221 | 3' FRAME SECTION..... | 1 | INCLUDES ITEMS W/@ |
| 2@ | 16544 | FRAME, 3' | 1 | |
| 3@ | 19485 | FERRULE, COPPER, 1/16 | 2 | |
| 4@ | 60035 | WIRE ROPE, 1/16" DIA. GALVANIZED..... | 1 | FOOT LENGTHS |
| 5@ | 16743 | PIN, SNAP 3/8 X 2-1/2" GRIP LG | 1 | |
| 6@ | 2621 | FITTING, GREASE ZERK STR 1/4-28 | 1 | |
| 7@ | 1162 A | CAP, GREASE ZERK, #2 YELLOW | 1 | |
| 8@ | 16524 | SCREW, HHC 1/2-13 X 1-1/4 GRD 8 | 2 | |

4 ft. Frame Section

| <u>NO.</u> | <u>PART NO.</u> | <u>PART NAME</u> | <u>QTY.</u> | <u>REMARKS</u> |
|------------|-----------------|-------------------------------------|-------------|--------------------|
| 1 | 36225 | 4' FRAME SECTION..... | 1 | INCLUDES ITEMS W/# |
| 2# | 16546 | FRAME, 4' | 1 | |
| 8# | 16524 | SCREW, HHC 1/2-13 X 1-1/4 GRD 8 | 2 | |
| 9# | 60055 | TRIM EDGE, 1/4" (BLT 1/4 X 50)..... | 3 | FOOT LENGTHS |

6 ft. Frame Section

| <u>NO.</u> | <u>PART NO.</u> | <u>PART NAME</u> | <u>QTY.</u> | <u>REMARKS</u> |
|------------|-----------------|-------------------------------------|-------------|---------------------|
| 1 | 36226 | 6' FRAME SECTION..... | 1 | INCLUDES ITEMS W/\$ |
| 2\$ | 16548 | FRAME, 6' | 1 | |
| 8\$ | 16524 | SCREW, HHC 1/2-13 X 1-1/4 GRD 8 | 2 | |
| 9\$ | 60055 | TRIM EDGE, 1/4" (BLT 1/4 X 50)..... | 3 | FOOT LENGTHS |

8 ft. Frame Section (Engine Side)

| <u>NO.</u> | <u>PART NO.</u> | <u>PART NAME</u> | <u>QTY.</u> | <u>REMARKS</u> |
|------------|-----------------|---------------------------------------|-------------|--------------------|
| 1 | 36223 | 8' FRAME SECTION, ENGINE SIDE..... | 1 | INCLUDES ITEMS W/% |
| 2% | 16550 | FRAME, 8' ENG END | 1 | |
| 3% | 19485 | FERRULE, COPPER, 1/16 | 2 | |
| 4% | 60035 | WIRE ROPE, 1/16" DIA. GALVANIZED..... | 1 | FOOT LENGTHS |
| 5% | 16743 | PIN, SNAP 3/8 X 2-1/2" GRIP LG | 1 | |
| 6% | 2621 | FITTING, GREASE ZERK STR 1/4-28 | 1 | |
| 7% | 1162 A | CAP, GREASE ZERK, #2 YELLOW | 1 | |
| 8% | 16524 | SCREW, HHC 1/2-13 X 1-1/4" GRD 8 | 2 | |
| 9% | 60055 | TRIM EDGE, 1/4" (BLT 1/4 X 50)..... | 3 | FOOT LENGTHS |

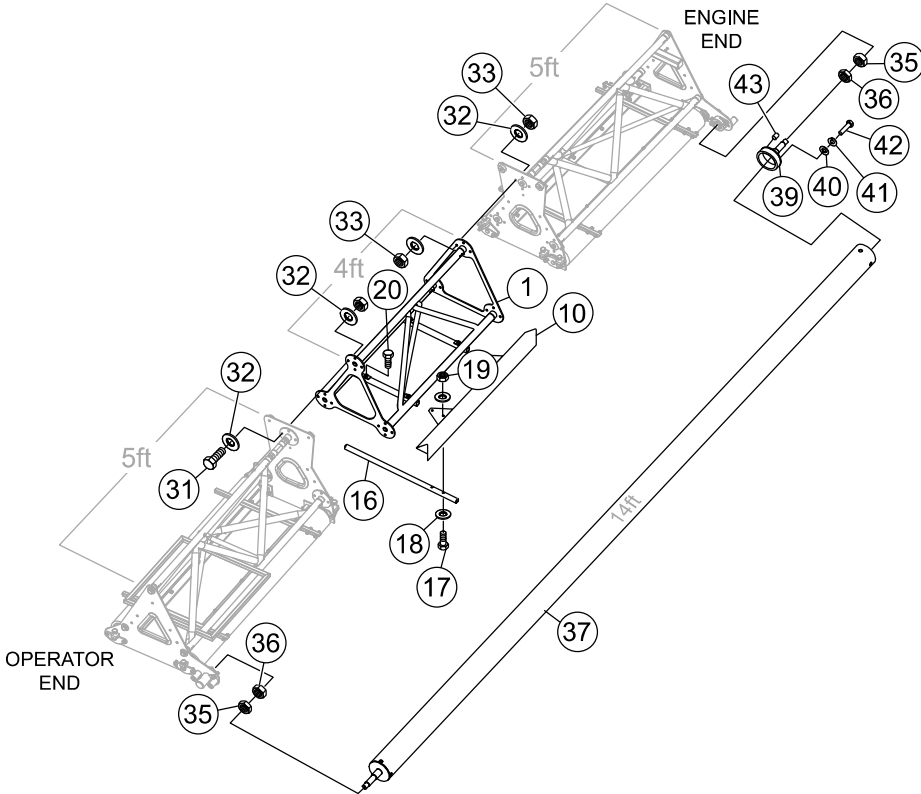
8 ft. Frame Section (Operator Side)

| <u>NO.</u> | <u>PART NO.</u> | <u>PART NAME</u> | <u>QTY.</u> | <u>REMARKS</u> |
|------------|-----------------|---------------------------------------|-------------|--------------------|
| 1 | 36222 | 8' FRAME SECTION, OPERATOR SIDE..... | 1 | INCLUDES ITEMS W/^ |
| 2^ | 16549 | FRAME, 8' OPER END | 1 | |
| 3^ | 19485 | FERRULE, COPPER, 1/16 | 4 | |
| 4^ | 60035 | WIRE ROPE, 1/16" DIA. GALVANIZED..... | 2 | FOOT LENGTHS |
| 5^ | 16743 | PIN, SNAP 3/8 X 2-1/2" GRIP LG | 2 | |
| 6^ | 2621 | FITTING, GREASE ZERK STR 1/4-28 | 2 | |
| 7^ | 1162 A | CAP, GREASE ZERK, #2 YELLOW | 2 | |
| 8^ | 16524 | SCREW, HHC 1/2-13 X 1-1/4" GRD 8 | 2 | |

9 ft. Frame Section (Engine Side)

| <u>NO.</u> | <u>PART NO.</u> | <u>PART NAME</u> | <u>QTY.</u> | <u>REMARKS</u> |
|------------|-----------------|---------------------------------------|-------------|--------------------|
| 1 | 36224 | 9' FRAME SECTION..... | 1 | INCLUDES ITEMS W/* |
| 2* | 16552 | FRAME, 9' | 1 | |
| 3* | 19485 | FERRULE, COPPER, 1/16 | 2 | |
| 4* | 60035 | WIRE ROPE, 1/16" DIA. GALVANIZED..... | 1 | FOOT LENGTHS |
| 5* | 16743 | PIN, SNAP 3/8 X 2-1/2" GRIP LG | 1 | |
| 6* | 2621 | FITTING, GREASE ZERK STR 1/4-28 | 1 | |
| 7* | 1162 A | CAP, GREASE ZERK, #2 YELLOW | 1 | |
| 8* | 16524 | SCREW, HHC 1/2-13 X 1-1/4" GRD 8 | 2 | |
| 9* | 60055 | TRIM EDGE, 1/4" (BLT 1/4 X 50)..... | 3 | FOOT LENGTHS |

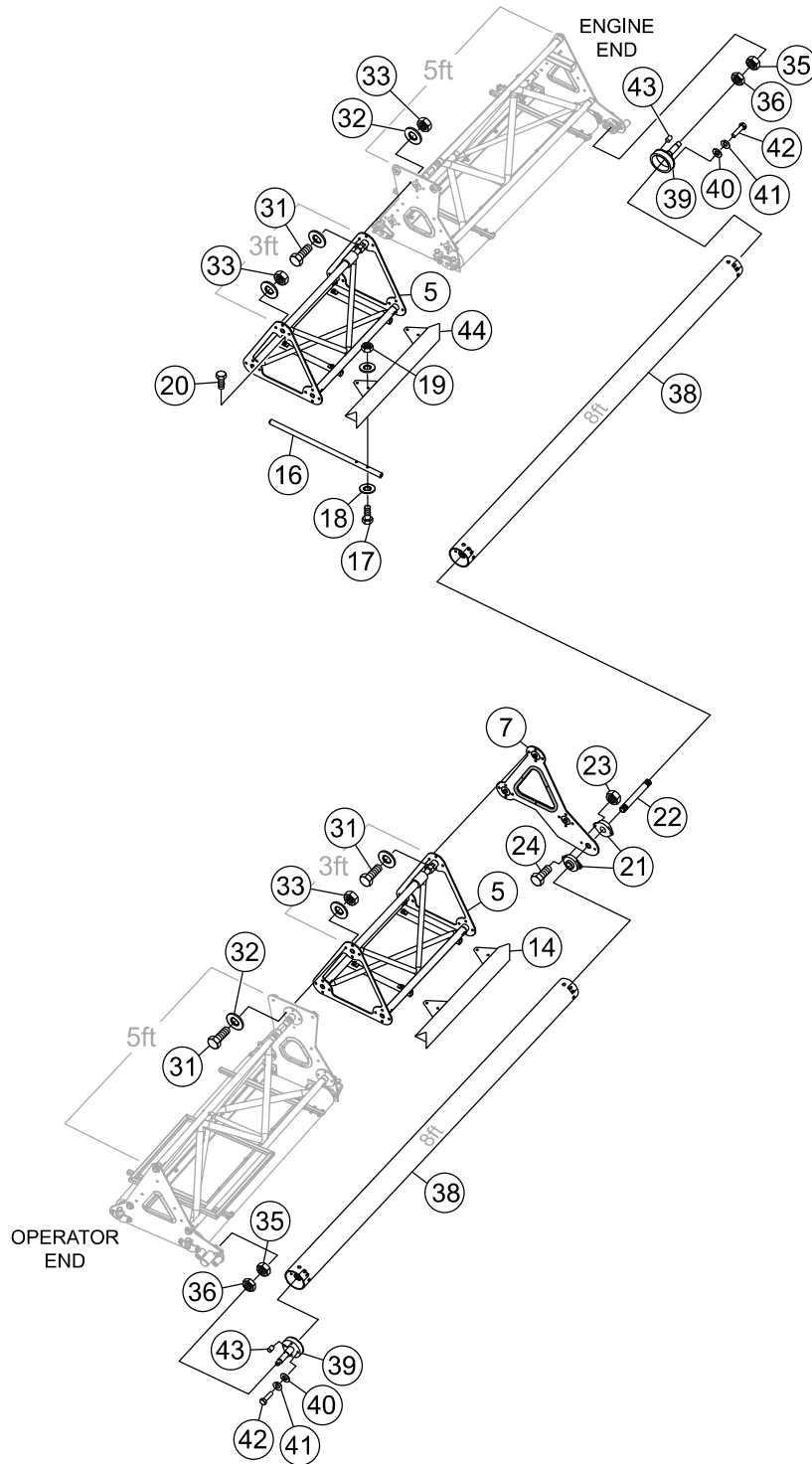
WRS1400LP ASSY.



WRS1400LP ASSY.

| <u>NO.</u> | <u>PART NO.</u> | <u>PART NAME</u> | <u>QTY.</u> | <u>REMARKS</u> |
|------------|-----------------|------------------------------------|-------------|----------------|
| 1 | 26028 | 4' FRAME SECTION SPECIAL | 1 | |
| 10 | 26212 | SCRAPER, 4' | 1 | |
| 16 | 16695 | ARM, SCRAPER | 2 | |
| 17 | 0655 | SCREW, 5/16" X 3/4" | 4 | |
| 18 | 0300 B | WASHER, FLAT 5/16" | 8 | |
| 19 | 5283 | NUT, NYLOC 5/16" | 4 | |
| 20 | 16524 | SCREW, HHC 1/2-13 X 1-1/4" GRD 8 | 2 | |
| 31 | 16526 | SCREW, HHC 1/2-13 X 1-3/4" | 24 | |
| 32 | 16630 | WASHER, FLAT 1/2" | 48 | |
| 33 | 16629 | NUT, NYLOC 1/2-13 | 24 | |
| 35 | 16458 | NUT, HEX 1-5/8-12 | 2 | |
| 36 | 16459 | NUT, HEX JAM 1-5/8-12 PLTD YLR ZNC | 2 | |
| 37 | 36527 | TUBE, STRIKE 14' .25 WALL | 1 | |
| 39 | 36163 | HUB, AUXILIARY, .25 WALL | 1 | |
| 40 | 16630 | WASHER, FLAT 1/2" SAE HARDENED | 2 | |
| 41 | 5054 A | WASHER, LOCK 1/2" MED | 2 | |
| 42 | 16781 | SCREW, HHC 1/2-13 X 2-1/4" | 2 | |
| 43 | 16786 | SCREW, SHS 1/2-13 X 3/4" | 2 | |

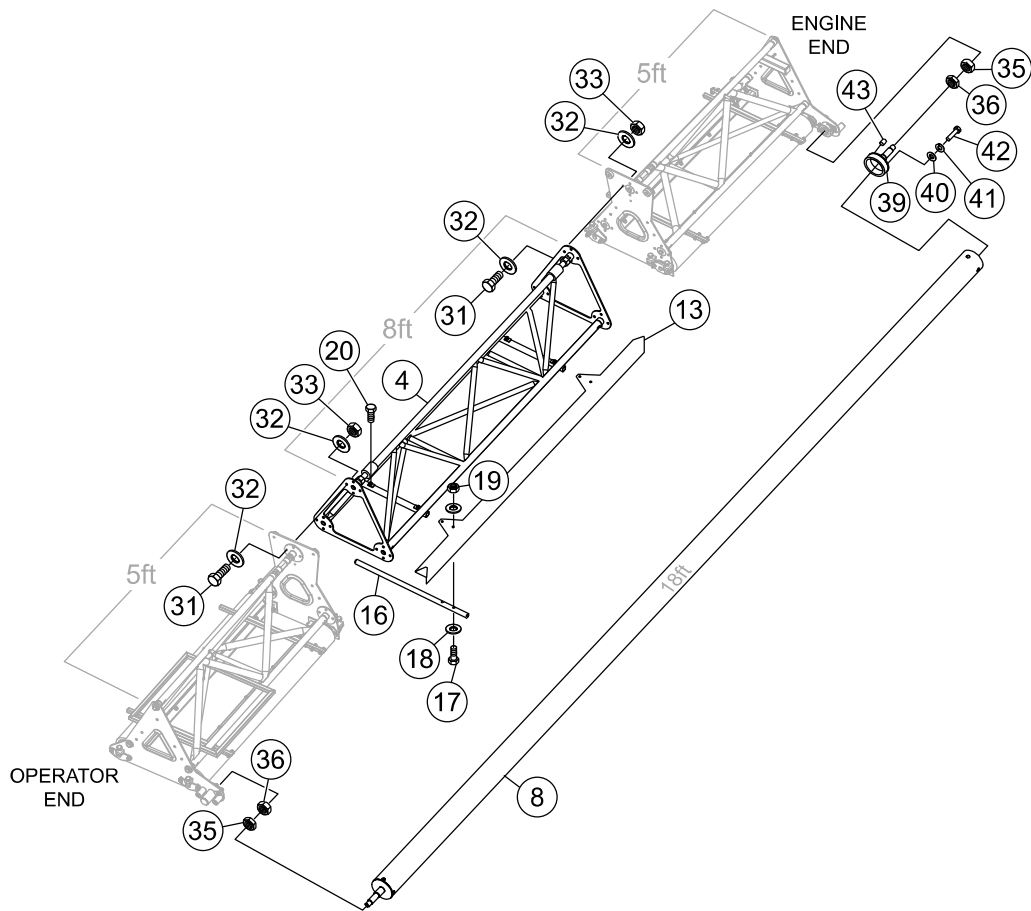
WRS1600LP ASSY.



WRS1600LP ASSY.

| <u>NO.</u> | <u>PART NO.</u> | <u>PART NAME</u> | <u>QTY.</u> | <u>REMARKS</u> |
|------------|-----------------|------------------------------------|-------------|----------------|
| 5 | 36221 | 3' FRAME SECTION | 2 | |
| 7 | 36227 | MIDDLE BRACKET | 1 | |
| 14 | 26209 | SCRAPER, 3' | 2 | |
| 16 | 16695 | ARM, SCRAPER | 4 | |
| 17 | 0655 | SCREW, 5/16" X 3/4" | 8 | |
| 18 | 0300 B | WASHER, FLAT 5/16" | 16 | |
| 19 | 5283 | NUT, NYLOC 5/16" | 8 | |
| 20 | 16524 | SCREW, HHC 1/2-13 X 1-1/4" GRD 8 | 4 | |
| 21 | 16224 | BEARING, BROWNING VF2S-120M | 2 | |
| 22 | 16222 | SHAFT, SPLINED 10T | 1 | |
| 23 | 16677 | NUT, NYLOC 7/16-14 GRD 8 | 2 | |
| 24 | 16676 | SCREW, HHC 7/16-14 X 2" GRD 8 | 2 | |
| 31 | 16526 | SCREW, HHC 1/2-13 X 1-3/4" | 36 | |
| 32 | 16630 | WASHER, FLAT 1/2" | 72 | |
| 33 | 16629 | NUT, NYLOC 1/2-13 | 36 | |
| 35 | 16458 | NUT, HEX 1-5/8-12 | 2 | |
| 36 | 16459 | NUT, HEX JAM 1-5/8-12 PLTD YLR ZNC | 2 | |
| 38 | 36526 | TUBE, STRIKE 8' .25 WALL | 2 | |
| 39 | 36163 | HUB, AUXILIARY .25 WALL | 2 | |
| 40 | 16630 | WASHER, FLAT 1/2" SAE HARDENED | 4 | |
| 41 | 5054 A | WASHER, LOCK 1/2" MED | 4 | |
| 42 | 16781 | SCREW, HHC 1/2-13 X 2-1/4" | 4 | |
| 43 | 16786 | SCREW, SHS 1/2-13 X 3/4" | 4 | |
| 44 | 36149 | SCRAPER, 3' LEFT | 1 | |

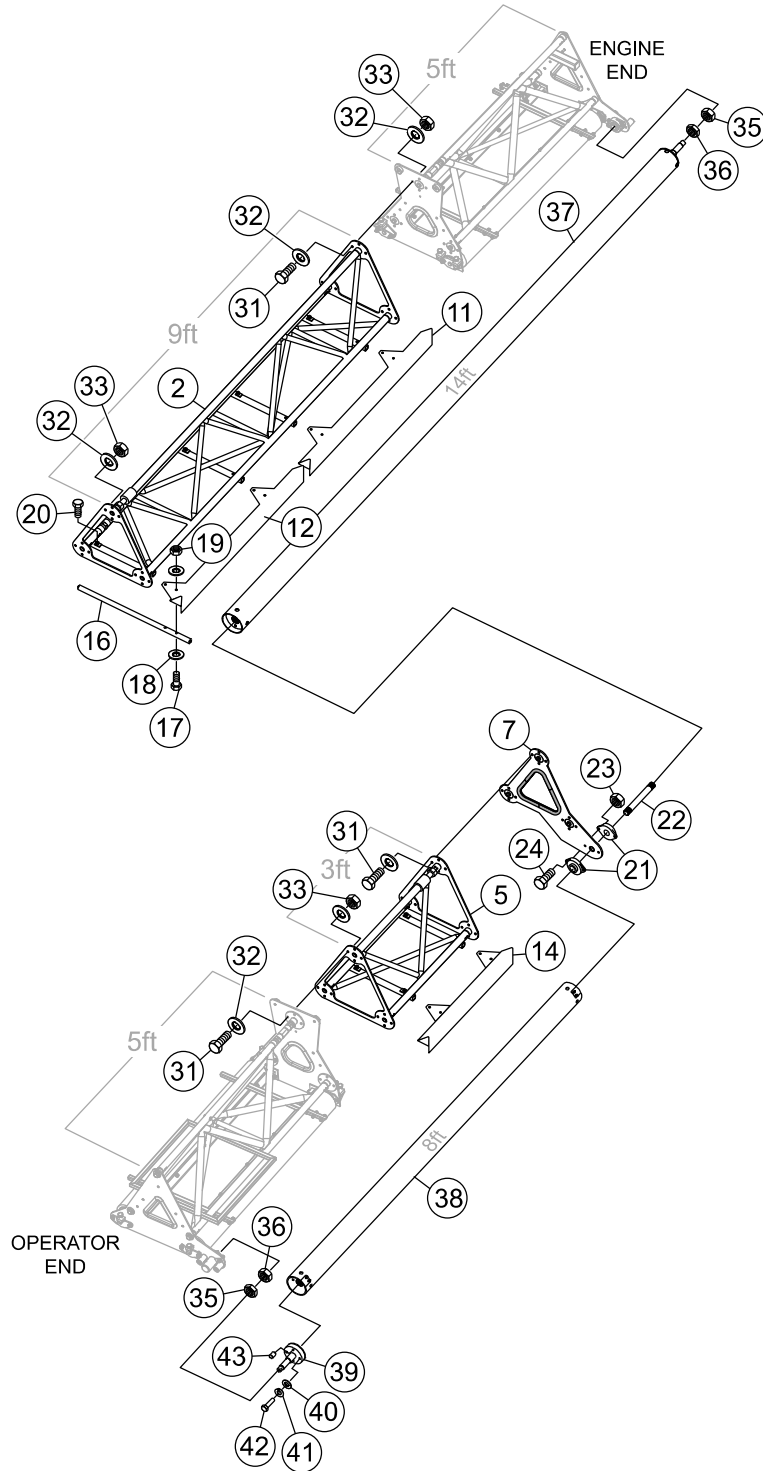
WRS1800LP ASSY.



WRS1800LP ASSY.

| <u>NO.</u> | <u>PART NO.</u> | <u>PART NAME</u> | <u>QTY.</u> | <u>REMARKS</u> |
|------------|-----------------|------------------------------------|-------------|----------------|
| 4 | 36222 | 8' FRAME SECTION, OPER. END | 1 | |
| 8 | 36529 | TUBE, STRIKE 18' .25 WALL | 1 | |
| 13 | 26217 | SCRAPER, 8' | 1 | |
| 16 | 16695 | ARM, SCRAPER | 2 | |
| 17 | 0655 | SCREW, 5/16" X 3/4" | 4 | |
| 18 | 0300 B | WASHER, FLAT 5/16" | 8 | |
| 19 | 5283 | NUT, NYLOC 5/16" | 4 | |
| 20 | 16524 | SCREW, HHC 1/2-13 X 1-1/4" GRD 8 | 2 | |
| 31 | 16526 | SCREW, HHC 1/2-13 X 1-3/4" | 24 | |
| 32 | 16630 | WASHER, FLAT 1/2" | 48 | |
| 33 | 16629 | NUT, NYLOC 1/2-13 | 24 | |
| 35 | 16458 | NUT, HEX 1-5/8-12 | 2 | |
| 36 | 16459 | NUT, HEX JAM 1-5/8-12 PLTD YLR ZNC | 2 | |
| 39 | 36163 | HUB, AUXILIARY .25 WALL | 1 | |
| 40 | 16630 | WASHER, FLAT 1/2" SAE HARDENED | 2 | |
| 41 | 5054 A | WASHER, LOCK 1/2" MED | 2 | |
| 42 | 16781 | SCREW, HHC 1/2-13 X 2-1/4" | 2 | |
| 43 | 16786 | SCREW, SHS 1/2-13 X 3/4" | 2 | |

WRS2200LP ASSY.



WRS2200LP ASSY.

| <u>NO.</u> | <u>PART NO.</u> | <u>PART NAME</u> | <u>QTY.</u> | <u>REMARKS</u> |
|------------|-----------------|------------------------------------|-------------|----------------|
| 2 | 36224 | 9' FRAME SECTION | 1 | |
| 5 | 36221 | 3' FRAME SECTION | 1 | |
| 7 | 36227 | MIDDLE BRACKET | 1 | |
| 11 | 26221 | SCRAPER, 9' LEFT | 1 | |
| 12 | 26222 | SCRAPER, 9' RIGHT | 1 | |
| 14 | 26209 | SCRAPER, 3' | 1 | |
| 16 | 16695 | ARM, SCRAPER | 6 | |
| 17 | 0655 | SCREW, 5/16" X 3/4" | 12 | |
| 18 | 0300 B | WASHER, FLAT 5/16" | 24 | |
| 19 | 5283 | NUT, NYLOC 5/16" | 12 | |
| 20 | 16524 | SCREW, HHC 1/2-13 X 1-1/4" GRD 8 | 6 | |
| 21 | 16224 | BEARING, BROWNING VF2S-120M | 2 | |
| 22 | 16222T | SHAFT, SPLINED 10T | 1 | |
| 23 | 16677 | NUT, NYLOC 7/16-14 GRD 8 | 2 | |
| 24 | 16676 | SCREW, HHC 7/16-14 X 2" GRD 8 | 2 | |
| 31 | 16526 | SCREW, HHC 1/2-13 X 1-3/4" | 36 | |
| 32 | 16630 | WASHER, FLAT 1/2" | 72 | |
| 33 | 16629 | NUT, NYLOC 1/2-13 | 36 | |
| 35 | 16458 | NUT, HEX 1-5/8-12 | 2 | |
| 36 | 16459 | NUT, HEX JAM 1-5/8-12 PLTD YLR ZNC | 2 | |
| 37 | 36527 | TUBE, STRIKE 14' .25 WALL | 1 | |
| 38 | 36526 | TUBE, STRIKE 8' .25 WALL | 1 | |
| 39 | 36163 | HUB, AUXILIARY .25 WALL | 1 | |
| 40 | 16630 | WASHER, FLAT 1/2" SAE HARDENED | 2 | |
| 41 | 5054 A | WASHER, LOCK 1/2" MED | 2 | |
| 42 | 16781 | SCREW, HHC 1/2-13 X 2-1/4" | 2 | |
| 43 | 16786 | SCREW, SHS 1/2-13 X 3/4" | 2 | |

WRS2600LP ASSY.

| <u>NO.</u> | <u>PART NO.</u> | <u>PART NAME</u> | <u>QTY.</u> | <u>REMARKS</u> |
|------------|-----------------|------------------------------------|-------------|----------------|
| 1 | 36225 | 4' FRAME SECTION | 1 | |
| 2 | 36224 | 9' FRAME SECTION | 1 | |
| 5 | 36221 | 3' FRAME SECTION | 1 | |
| 7 | 36227 | MIDDLE BRACKET | 1 | |
| 8 | 36529 | TUBE, STRIKE 18' .25 WALL | 1 | |
| 10 | 26212 | SCRAPER, 4' | 1 | |
| 11 | 26221 | SCRAPER, 9' LEFT | 1 | |
| 12 | 26222 | SCRAPER, 9' RIGHT | 1 | |
| 14 | 26209 | SCRAPER, 3' | 1 | |
| 16 | 16695 | ARM, SCRAPER | 8 | |
| 17 | 0655 | SCREW, 5/16" X 3/4" | 16 | |
| 18 | 0300 B | WASHER, FLAT 5/16" | 32 | |
| 19 | 5283 | NUT, NYLOC 5/16" | 16 | |
| 20 | 16524 | SCREW, HHC 1/2-13 X 1-1/4" GRD 8 | 8 | |
| 21 | 16224 | BEARING, BROWNING VF2S-120M | 2 | |
| 22 | 16222 | SHAFT, SPLINED 10T | 1 | |
| 23 | 16677 | NUT, NYLOC 7/16-14 GRD 8 | 2 | |
| 24 | 16676 | SCREW, HHC 7/16-14 X 2" GRD 8 | 2 | |
| 31 | 16526 | SCREW, HHC 1/2-13 X 1-3/4" | 36 | |
| 32 | 16630 | WASHER, FLAT 1/2" | 96 | |
| 33 | 16629 | NUT, NYLOC 1/2-13 | 48 | |
| 34 | 16525 | BOLT, 1/2 X 1-1/2" | 12 | |
| 35 | 16458 | NUT, HEX 1-5/8-12 | 2 | |
| 36 | 16459 | NUT, HEX JAM 1-5/8-12 PLTD YLR ZNC | 2 | |
| 38 | 36526 | TUBE, STRIKE 8' .25 WALL | 1 | |
| 39 | 36163 | HUB, AUXILIARY .25 WALL | 1 | |
| 40 | 16630 | WASHER, FLAT 1/2" SAE HARDENED | 2 | |
| 41 | 5054 A | WASHER, LOCK 1/2" MED | 2 | |
| 42 | 16781 | SCREW, HHC 1/2-13 X 2-1/4" | 2 | |
| 43 | 16786 | SCREW, SHS 1/2-13 X 3/4" | 2 | |

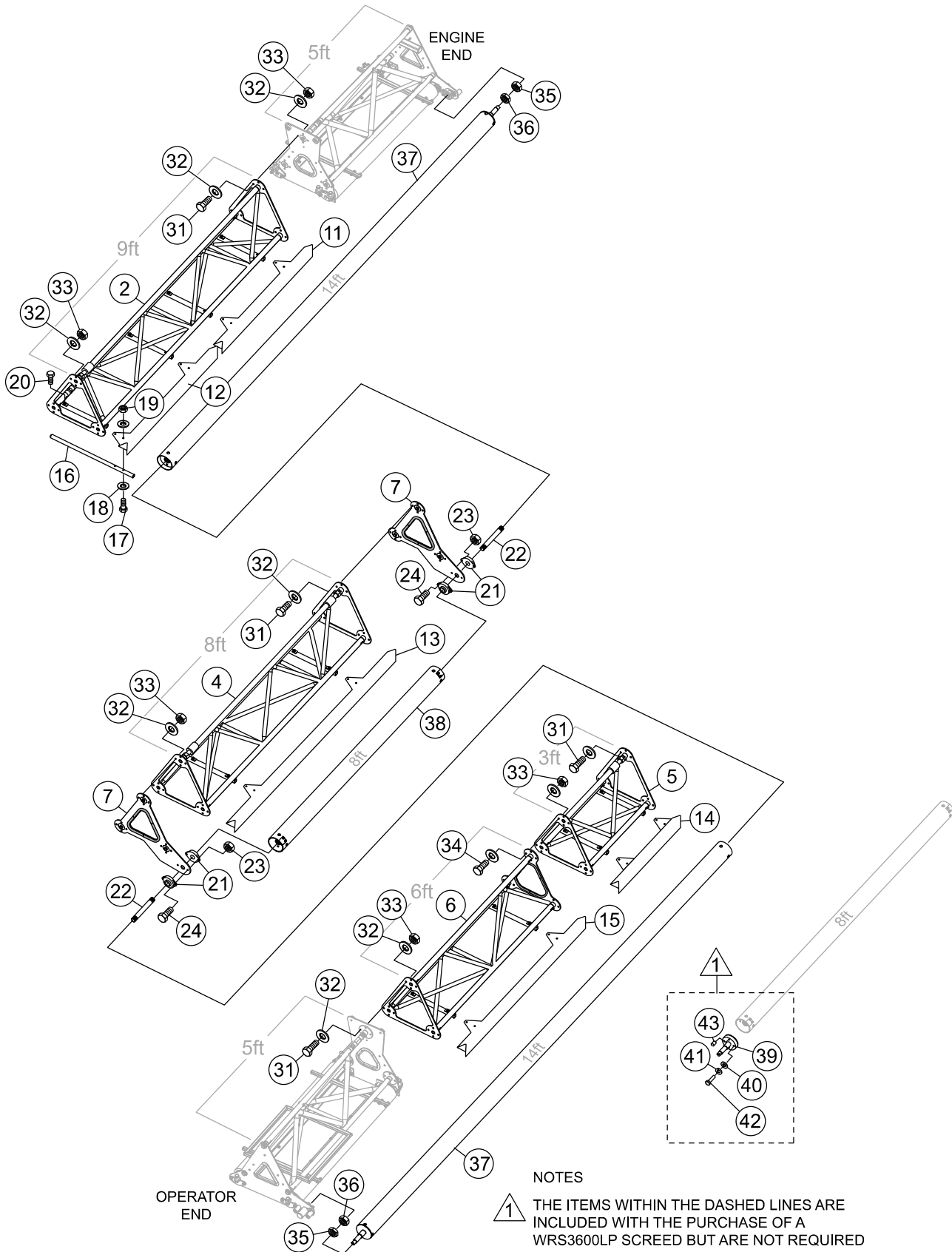
WRS2800LP ASSY.

| <u>NO.</u> | <u>PART NO.</u> | <u>PART NAME</u> | <u>QTY.</u> | <u>REMARKS</u> |
|------------|-----------------|-----------------------------------|-------------|----------------|
| 2 | 36224 | 9' FRAME SECTION | 1 | |
| 5 | 36221 | 3' FRAME SECTION | 1 | |
| 6 | 36226 | 6' FRAME SECTION | 1 | |
| 7 | 36227 | MIDDLE BRACKET | 1 | |
| 11 | 26221 | SCRAPER, 9' LEFT | 1 | |
| 12 | 26222 | SCRAPER, 9' RIGHT | 1 | |
| 14 | 26209 | SCRAPER, 3' | 1 | |
| 15 | 26225 | SCRAPER, 6' | 1 | |
| 16 | 16695 | ARM, SCRAPER | 8 | |
| 17 | 0655 | SCREW, 5/16" X 3/4" | 16 | |
| 18 | 0300 B | WASHER, FLAT 5/16" | 32 | |
| 19 | 5283 | NUT, NYLOC 5/16" | 16 | |
| 20 | 16524 | SCREW, HHC 1/2-13 X 1-1/4" GRD 8 | 8 | |
| 21 | 16224 | BEARING, BROWNING VF2S-120M | 2 | |
| 22 | 16222 | SHAFT, SPLINED 10T | 1 | |
| 23 | 16677 | NUT, NYLOC 7/16-14 GRD 8 | 2 | |
| 24 | 16676 | SCREW, HHC 7/16-14 X 2" GRD 8 | 2 | |
| 31 | 16526 | SCREW, HHC 1/2-13 X 1-3/4" | 36 | |
| 32 | 16630 | WASHER, FLAT 1/2" | 96 | |
| 33 | 16629 | NUT, NYLOC 1/2-13 | 48 | |
| 34 | 16525 | BOLT, 1/2 X 1-1/2" | 12 | |
| 35 | 16458 | NUT, HEX 1-5/8-12 | 2 | |
| 36 | 16459 | NUT, HEX JAM 1-5/8-12 PLTD YLR ZN | 2 | |
| 37 | 36527 | TUBE, STRIKE 14' .25 WALL | 2 | |

WRS3200LP ASSY.

| <u>NO.</u> | <u>PART NO.</u> | <u>PART NAME</u> | <u>QTY.</u> | <u>REMARKS</u> |
|------------|-----------------|-----------------------------------|-------------|----------------|
| 1 | 36225 | 4' FRAME SECTION | 1 | |
| 2 | 36224 | 9' FRAME SECTION | 1 | |
| 5 | 36221 | 3' FRAME SECTION | 1 | |
| 6 | 36226 | 6' FRAME SECTION | 1 | |
| 7 | 36227 | MIDDLE BRACKET | 1 | |
| 8 | 36529 | TUBE, STRIKE 18' .25 WALL | 1 | |
| 10 | 26212 | SCRAPER, 4' | 1 | |
| 11 | 26221 | SCRAPER, 9' LEFT | 1 | |
| 12 | 26222 | SCRAPER, 9' RIGHT | 1 | |
| 14 | 26209 | SCRAPER, 3' | 1 | |
| 15 | 26225 | SCRAPER, 6' | 1 | |
| 16 | 16695 | ARM, SCRAPER | 10 | |
| 17 | 0655 | SCREW, 5/16" X 3/4" | 20 | |
| 18 | 0300 B | WASHER, FLAT 5/16" | 40 | |
| 19 | 5283 | NUT, NYLOC 5/16" | 20 | |
| 20 | 16524 | SCREW, HHC 1/2-13 X 1-1/4" GRD 8 | 10 | |
| 21 | 16224 | BEARING, BROWNING VF2S-120M | 2 | |
| 22 | 16222 | SHAFT, SPLINED 10T | 1 | |
| 23 | 16677 | NUT, NYLOC 7/16-14 GRD 8 | 2 | |
| 24 | 16676 | SCREW, HHC 7/16-14 X 2" GRD 8 | 2 | |
| 31 | 16526 | SCREW, HHC 1/2-13 X 1-3/4" | 36 | |
| 32 | 16630 | WASHER, FLAT 1/2" | 120 | |
| 33 | 16629 | NUT, NYLOC 1/2-13 | 60 | |
| 34 | 16525 | BOLT, 1/2" X 1-1/2" | 24 | |
| 35 | 16458 | NUT, HEX 1-5/8-12 | 2 | |
| 36 | 16459 | NUT, HEX JAM 1-5/8-12 PLTD YLR ZN | 2 | |
| 37 | 36527 | TUBE, STRIKE 14' .25 WALL | 1 | |
| 38 | 36526 | TUBE, STRIKE 8' .25 WALL | 1 | |

WRS3600LP ASSY.



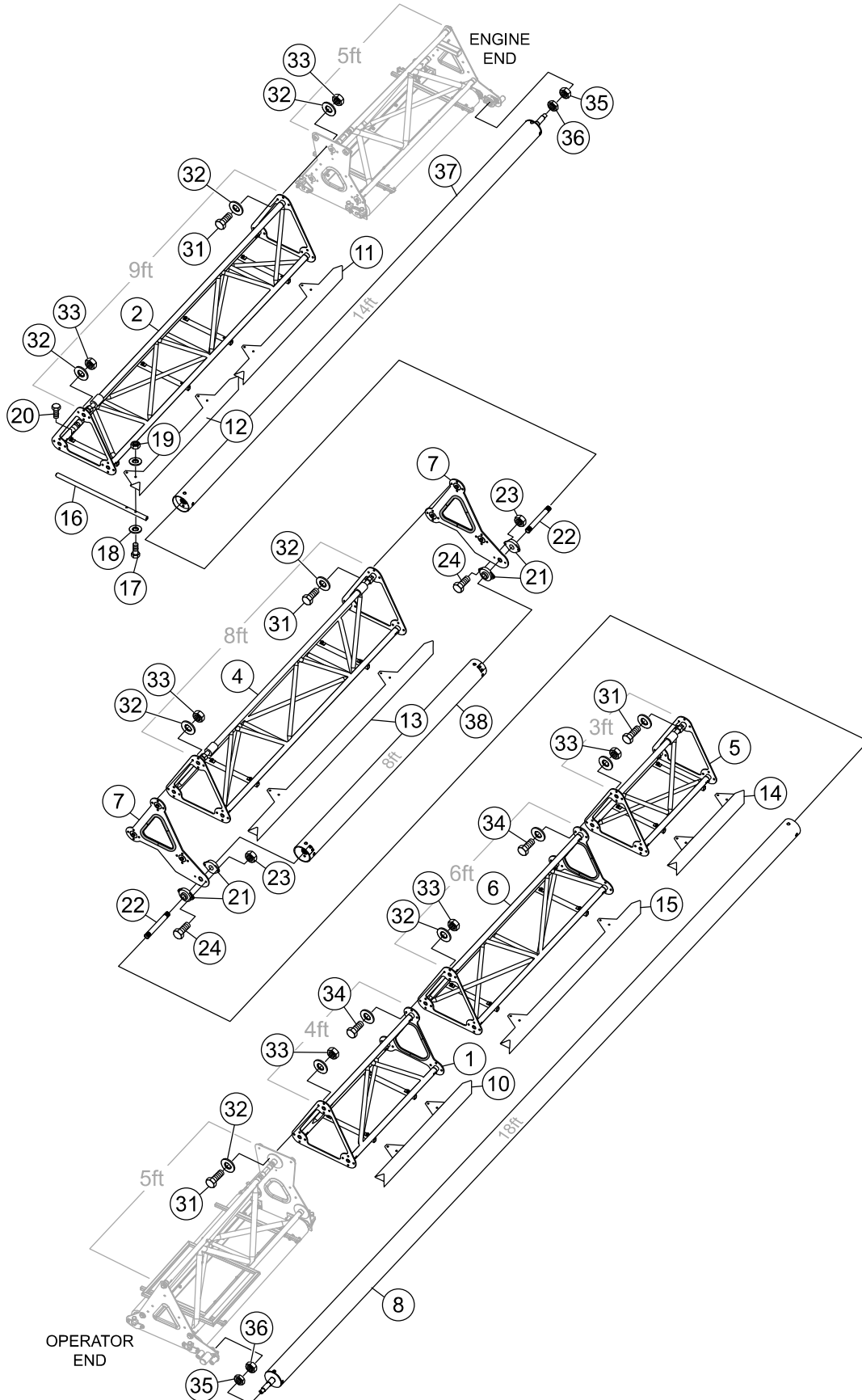
NOTES

- 1 THE ITEMS WITHIN THE DASHED LINES ARE INCLUDED WITH THE PURCHASE OF A WRS3600LP SCREED BUT ARE NOT REQUIRED FOR THE ASSEMBLY OF THE SCREED.

WRS3600LP ASSY.

| <u>NO.</u> | <u>PART NO.</u> | <u>PART NAME</u> | <u>QTY.</u> | <u>REMARKS</u> |
|------------|-----------------|-----------------------------------|-------------|----------------|
| 2 | 36224 | 9' FRAME SECTION | 1 | |
| 4 | 36222 | 8' FRAME SECTION, OP END | 1 | |
| 5 | 36221 | 3' FRAME SECTION | 1 | |
| 6 | 36226 | 6' FRAME SECTION | 1 | |
| 7 | 36227 | MIDDLE BRACKET | 2 | |
| 11 | 26221 | SCRAPER, 9' LEFT | 1 | |
| 12 | 26222 | SCRAPER, 9' RIGHT | 1 | |
| 13 | 26217 | SCRAPER, 8' | 1 | |
| 14 | 26209 | SCRAPER, 3' | 1 | |
| 15 | 26225 | SCRAPER, 6' | 1 | |
| 16 | 16695 | ARM, SCRAPER | 10 | |
| 17 | 0655 | SCREW, 5/16" X 3/4" | 20 | |
| 18 | 0300 B | WASHER, FLAT 5/16" | 40 | |
| 19 | 5283 | NUT, NYLOC 5/16" | 20 | |
| 20 | 16524 | SCREW, HHC 1/2-13 X 1-1/4" GRD 8 | 10 | |
| 21 | 16224 | BEARING, BROWNING VF2S-120M | 4 | |
| 22 | 16222 | SHAFT, SPLINED 10T | 2 | |
| 23 | 16677 | NUT, NYLOC 7/16-14 GRD 8 | 4 | |
| 24 | 16676 | SCREW, HHC 7/16-14 X 2" GRD 8 | 4 | |
| 31 | 16526 | SCREW, HHC 1/2-13 X 1-3/4" | 48 | |
| 32 | 16630 | WASHER, FLAT 1/2" | 120 | |
| 33 | 16629 | NUT, NYLOC 1/2-13 | 60 | |
| 34 | 16525 | BOLT, 1/2 X 1-1/2" | 12 | |
| 35 | 16458 | NUT, HEX 1-5/8-12 | 2 | |
| 36 | 16459 | NUT, HEX JAM 1-5/8-12 PLTD YLR ZN | 2 | |
| 37 | 36527 | TUBE, STRIKE 14' .25 WALL | 2 | |
| 38 | 36526 | TUBE, STRIKE 8' .25 WALL | 1 | |
| 39 | 36163 | HUB, AUXILIARY .25 WALL | 1 | |
| 40 | 16630 | WASHER, FLAT 1/2" SAE HARDENED | 2 | |
| 41 | 5054 A | WASHER, LOCK 1/2" MED | 2 | |
| 42 | 16781 | SCREW, HHC 1/2-13 X 2-1/4" | 2 | |
| 43 | 16786 | SCREW, SHS 1/2-13 X 3/4" | 2 | |

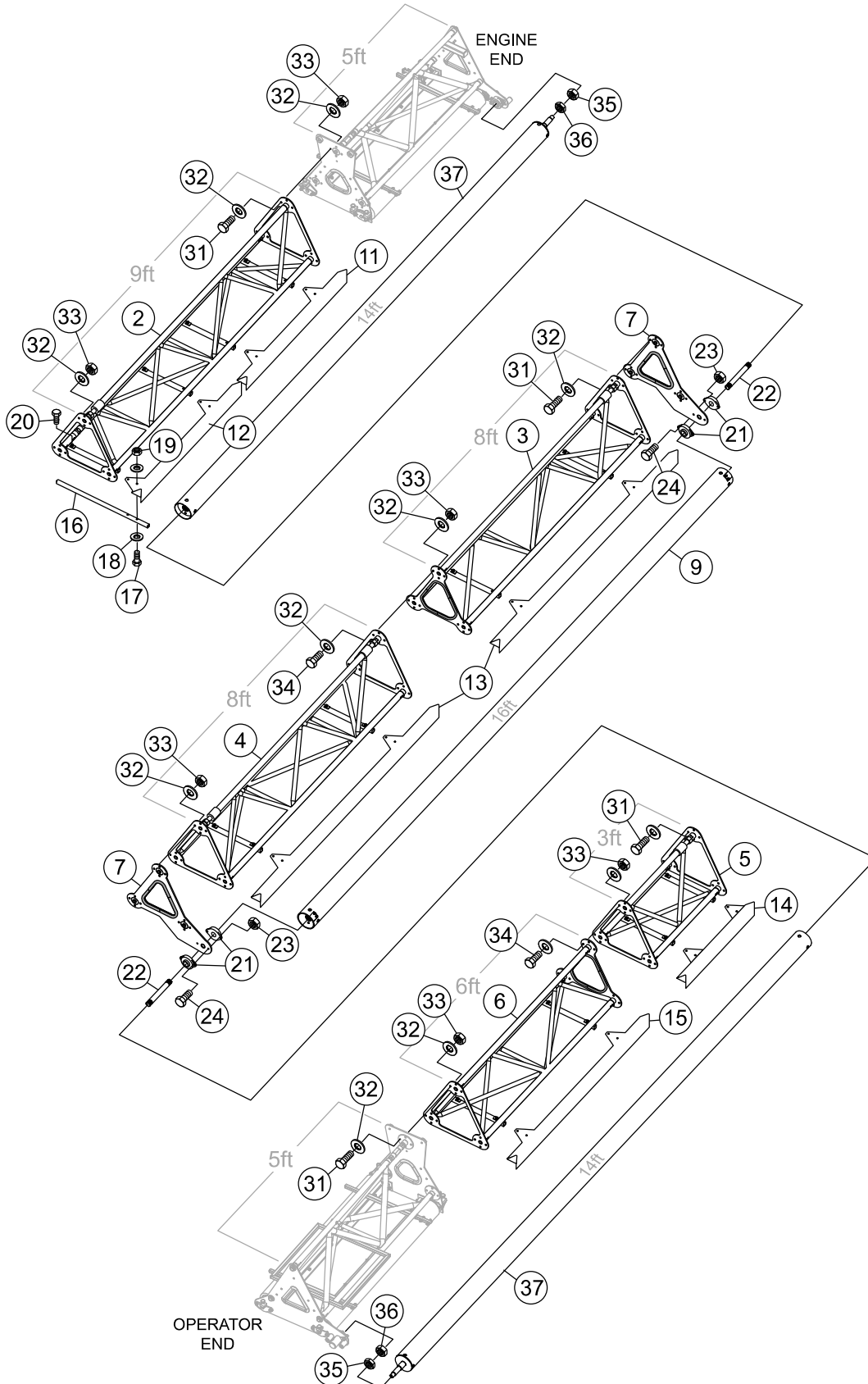
WRS4000LP ASSY.



WRS4000LP ASSY.

| <u>NO.</u> | <u>PART NO.</u> | <u>PART NAME</u> | <u>QTY.</u> | <u>REMARKS</u> |
|------------|-----------------|-----------------------------------|-------------|----------------|
| 1 | 36225 | 4' FRAME SECTION | 1 | |
| 2 | 36224 | 9' FRAME SECTION | 1 | |
| 4 | 36222 | 8' FRAME SECTION, OPER. END | 1 | |
| 5 | 36221 | 3' FRAME SECTION | 1 | |
| 6 | 36226 | 6' FRAME SECTION | 1 | |
| 7 | 36227 | MIDDLE BRACKET | 2 | |
| 8 | 36529 | TUBE, STRIKE 18' .25 WALL | 1 | |
| 10 | 26212 | SCRAPER, 4' | 1 | |
| 11 | 26221 | SCRAPER, 9' LEFT | 1 | |
| 12 | 26222 | SCRAPER, 9' RIGHT | 1 | |
| 13 | 26217 | SCRAPER, 8' | 1 | |
| 14 | 26209 | SCRAPER, 3' | 1 | |
| 15 | 26225 | SCRAPER, 6' | 1 | |
| 16 | 16695 | ARM, SCRAPER | 12 | |
| 17 | 0655 | SCREW, 5/16" X 3/4" | 24 | |
| 18 | 0300 B | WASHER, FLAT 5/16" | 48 | |
| 19 | 5283 | NUT, NYLOC 5/16" | 24 | |
| 20 | 16524 | SCREW, HHC 1/2-13 X 1-1/4" GRD 8 | 12 | |
| 21 | 16224 | BEARING, BROWNING VF2S-120M | 4 | |
| 22 | 16222 | SHAFT, SPLINED 10T | 2 | |
| 23 | 16677 | NUT, NYLOC 7/16-14 GRD 8 | 4 | |
| 24 | 16676 | SCREW, HHC 7/16-14 X 2" GRD 8 | 4 | |
| 31 | 16526 | SCREW, HHC 1/2-13 X 1-3/4" | 48 | |
| 32 | 16630 | WASHER, FLAT 1/2" | 144 | |
| 33 | 16629 | NUT, NYLOC 1/2-13 | 72 | |
| 34 | 16525 | BOLT, 1/2 X 1-1/2" | 24 | |
| 35 | 16458 | NUT, HEX 1-5/8-12 | 2 | |
| 36 | 16459 | NUT, HEX JAM 1-5/8-12 PLTD YLR ZN | 2 | |
| 37 | 36527 | TUBE, STRIKE 14' .25 WALL | 1 | |
| 38 | 36526 | TUBE, STRIKE 8' .25 WALL | 1 | |

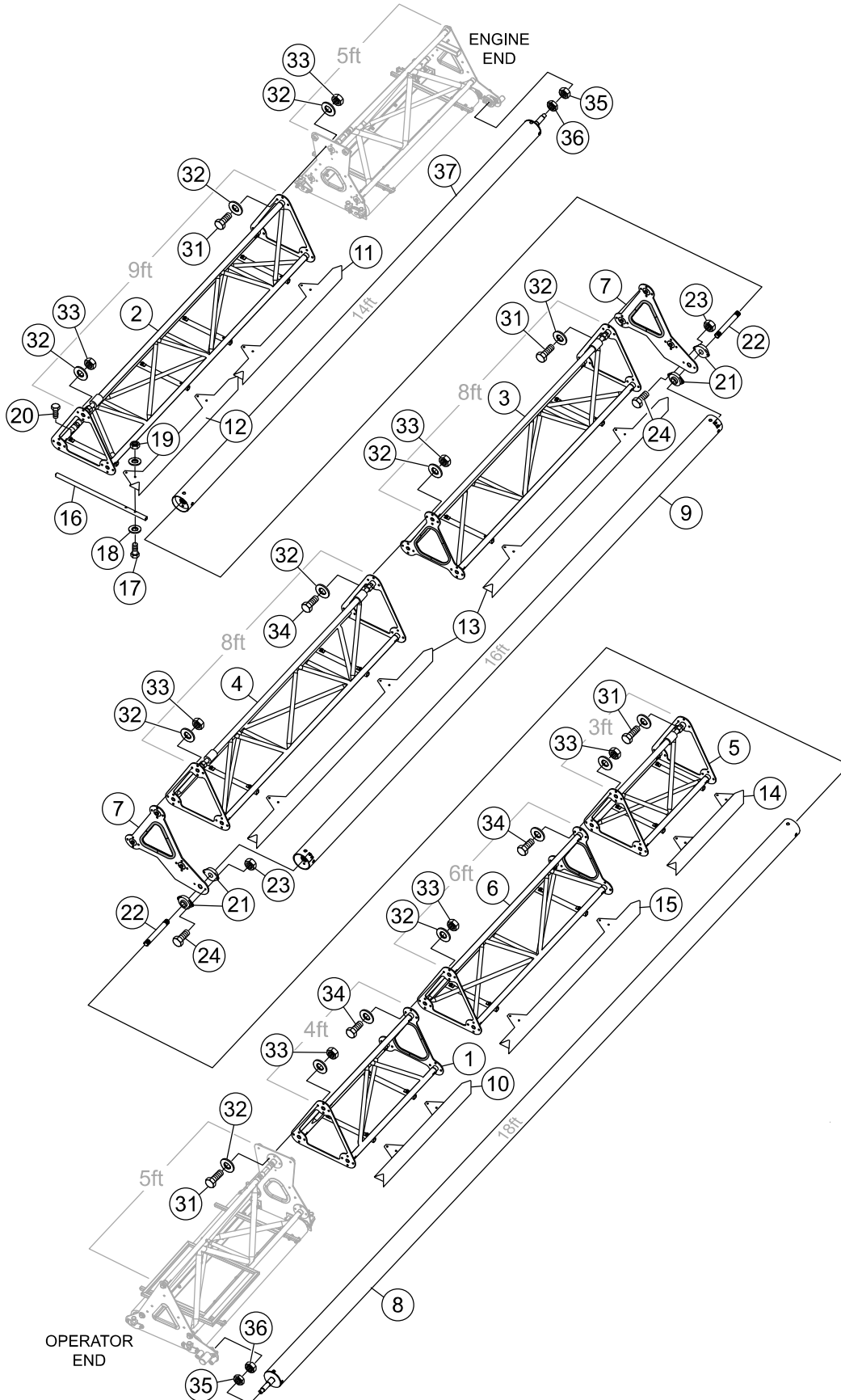
WRS4400LP ASSY.



WRS4400LP ASSY.

| <u>NO.</u> | <u>PART NO.</u> | <u>PART NAME</u> | <u>QTY.</u> | <u>REMARKS</u> |
|------------|-----------------|-----------------------------------|-------------|----------------|
| 2 | 36224 | 9' FRAME SECTION | 1 | |
| 3 | 36223 | 8' FRAME SECTION, ENG END | 1 | |
| 4 | 36222 | 8' FRAME SECTION, OPER. END | 1 | |
| 5 | 36221 | 3' FRAME SECTION | 1 | |
| 6 | 36226 | 6' FRAME SECTION | 1 | |
| 7 | 36227 | MIDDLE BRACKET | 2 | |
| 9 | 36528 | TUBE, STRIKE 16' .25 WALL | 1 | |
| 11 | 26221 | SCRAPER, 9' LEFT | 1 | |
| 12 | 26222 | SCRAPER, 9' RIGHT | 1 | |
| 13 | 26217 | SCRAPER, 8' | 2 | |
| 14 | 26209 | SCRAPER, 3' | 1 | |
| 15 | 26225 | SCRAPER, 6' | 1 | |
| 16 | 16695 | ARM, SCRAPER | 12 | |
| 17 | 0655 | SCREW, 5/16" X 3/4" | 24 | |
| 18 | 0300 B | WASHER, FLAT 5/16" | 48 | |
| 19 | 5283 | NUT, NYLOC 5/16" | 24 | |
| 20 | 16524 | SCREW, HHC 1/2-13 X 1-1/4" GRD 8 | 12 | |
| 21 | 16224 | BEARING, BROWNING VF2S-120M | 4 | |
| 22 | 16222 | SHAFT, SPLINED 10T | 2 | |
| 23 | 16677 | NUT, NYLOC 7/16-14 GRD 8 | 4 | |
| 24 | 16676 | SCREW, HHC 7/16-14 X 2" GRD 8 | 4 | |
| 31 | 16526 | SCREW, HHC 1/2-13 X 1-3/4" | 48 | |
| 32 | 16630 | WASHER, FLAT 1/2" | 144 | |
| 33 | 16629 | NUT, NYLOC 1/2-13 | 72 | |
| 34 | 16525 | BOLT, 1/2 X 1-1/2" | 24 | |
| 35 | 16458 | NUT, HEX 1-5/8-12 | 2 | |
| 36 | 16459 | NUT, HEX JAM 1-5/8-12 PLTD YLR ZN | 2 | |
| 37 | 36527 | TUBE, STRIKE 14' .25 WALL | 2 | |

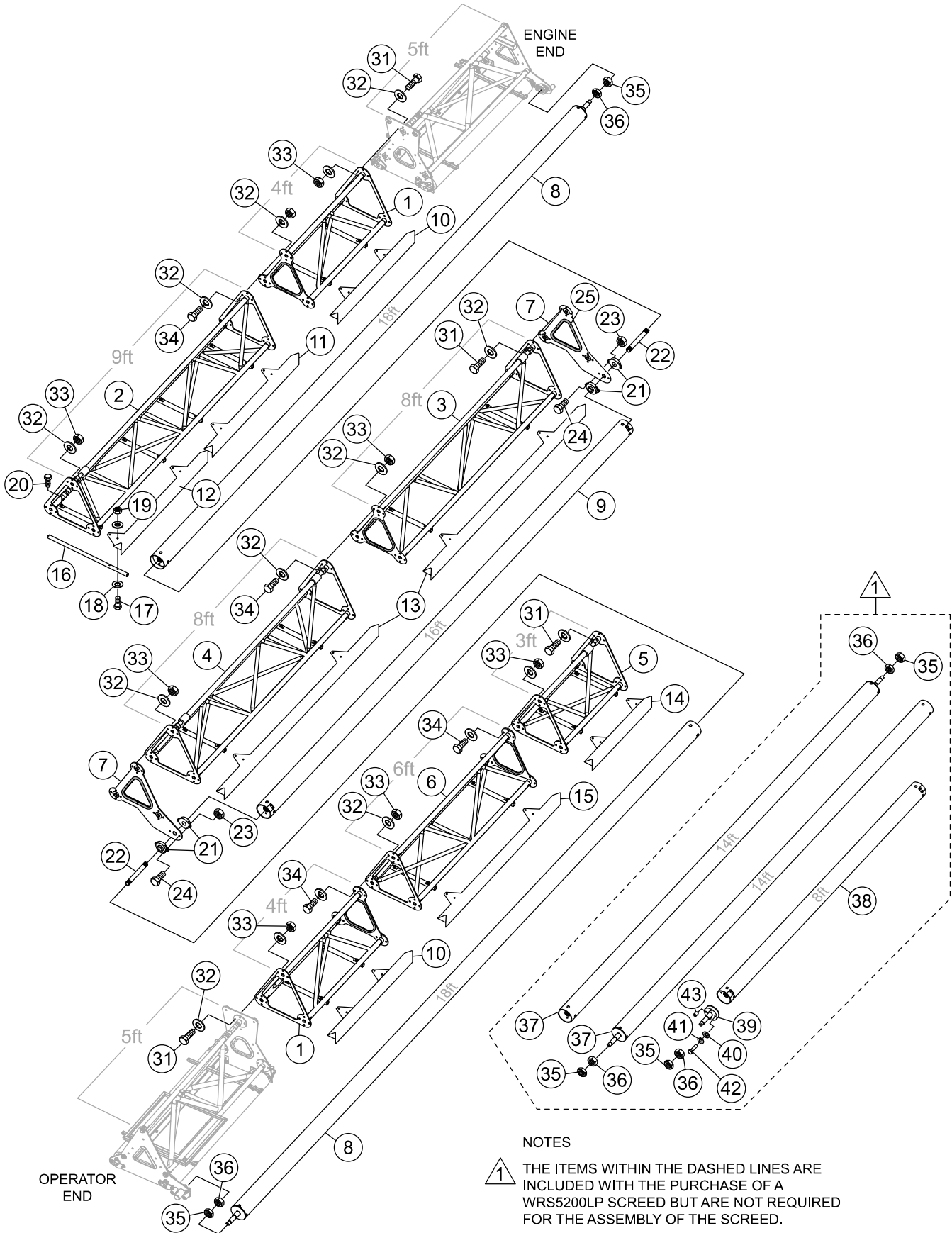
WRS4800LP ASSY.



WRS4800LP ASSY.

| <u>NO.</u> | <u>PART NO.</u> | <u>PART NAME</u> | <u>QTY.</u> | <u>REMARKS</u> |
|------------|-----------------|-----------------------------------|-------------|----------------|
| 1 | 36225 | 4' FRAME SECTION | 1 | |
| 2 | 36224 | 9' FRAME SECTION | 1 | |
| 3 | 36223 | 8' FRAME SECTION, ENG END | 1 | |
| 4 | 36222 | 8' FRAME SECTION, OPER. END | 1 | |
| 5 | 36221 | 3' FRAME SECTION | 1 | |
| 6 | 36226 | 6' FRAME SECTION | 1 | |
| 7 | 36227 | MIDDLE BRACKET | 2 | |
| 8 | 36529 | TUBE, STRIKE 18' .25 WALL | 1 | |
| 9 | 36528 | TUBE, STRIKE 16' .25 WALL | 1 | |
| 10 | 26212 | SCRAPER, 4' | 1 | |
| 11 | 26221 | SCRAPER, 9' LEFT | 1 | |
| 12 | 26222 | SCRAPER, 9' RIGHT | 1 | |
| 13 | 26217 | SCRAPER, 8' | 2 | |
| 14 | 26209 | SCRAPER, 3' | 1 | |
| 15 | 26225 | SCRAPER, 6' | 1 | |
| 16 | 16695 | ARM, SCRAPER | 14 | |
| 17 | 0655 | SCREW, 5/16" X 3/4" | 28 | |
| 18 | 0300 B | WASHER, FLAT 5/16" | 56 | |
| 19 | 5283 | NUT, NYLOC 5/16" | 28 | |
| 20 | 16524 | SCREW, HHC 1/2-13 X 1-1/4" GRD 8 | 14 | |
| 21 | 16224 | BEARING, BROWNING VF2S-120M | 4 | |
| 22 | 16222 | SHAFT, SPLINED 10T | 2 | |
| 23 | 16677 | NUT, NYLOC 7/16-14 GRD 8 | 4 | |
| 24 | 16676 | SCREW, HHC 7/16-14 X 2" GRD 8 | 4 | |
| 31 | 16526 | SCREW, HHC 1/2-13 X 1-3/4" | 48 | |
| 32 | 16630 | WASHER, FLAT 1/2" | 168 | |
| 33 | 16629 | NUT, NYLOC 1/2-13 | 84 | |
| 34 | 16525 | BOLT, 1/2 X 1-1/2" | 36 | |
| 35 | 16458 | NUT, HEX 1-5/8-12 | 2 | |
| 36 | 16459 | NUT, HEX JAM 1-5/8-12 PLTD YLR ZN | 2 | |
| 37 | 36527 | TUBE, STRIKE 14' .25 WALL | 1 | |

WRS5200LP ASSY.



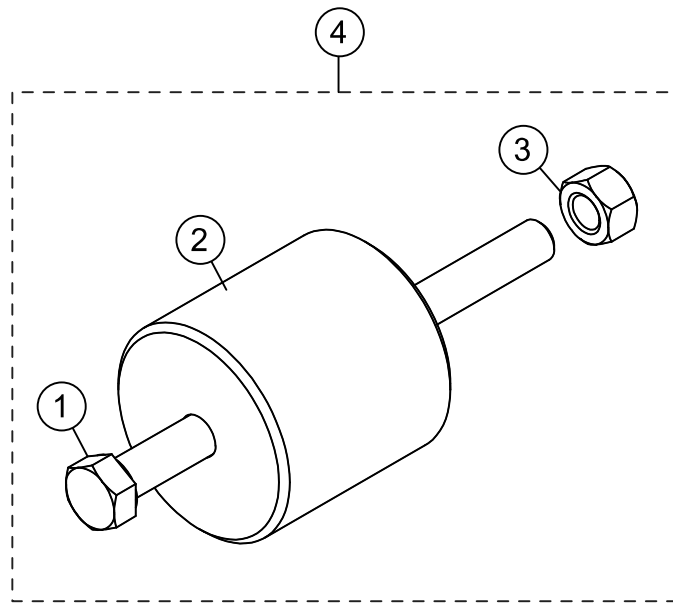
NOTES

- 1 THE ITEMS WITHIN THE DASHED LINES ARE INCLUDED WITH THE PURCHASE OF A WRS5200LP SCREED BUT ARE NOT REQUIRED FOR THE ASSEMBLY OF THE SCREED.

WRS5200LP ASSY.

| <u>NO.</u> | <u>PART NO.</u> | <u>PART NAME</u> | <u>QTY.</u> | <u>REMARKS</u> |
|------------|-----------------|-----------------------------------|-------------|----------------|
| 1 | 36225 | 4' FRAME SECTION | 2 | |
| 2 | 36224 | 9' FRAME SECTION | 1 | |
| 3 | 36223 | 8' FRAME SECTION, ENG END | 1 | |
| 4 | 36222 | 8' FRAME SECTION, OPER. END | 1 | |
| 5 | 36221 | 3' FRAME SECTION | 1 | |
| 6 | 36226 | 6' FRAME SECTION | 1 | |
| 7 | 36227 | MIDDLE BRACKET | 2 | |
| 8 | 36529 | TUBE, STRIKE 18' .25 WALL | 2 | |
| 9 | 36528 | TUBE, STRIKE 16' .25 WALL | 1 | |
| 10 | 26212 | SCRAPER, 4' | 2 | |
| 11 | 26221 | SCRAPER, 9' LEFT | 1 | |
| 12 | 26222 | SCRAPER, 9' RIGHT | 1 | |
| 13 | 26217 | SCRAPER, 8' | 2 | |
| 14 | 26209 | SCRAPER, 3' | 1 | |
| 15 | 26225 | SCRAPER, 6' | 1 | |
| 16 | 16695 | ARM, SCRAPER | 16 | |
| 17 | 0655 | SCREW, 5/16 X 3/4" | 32 | |
| 18 | 0300 B | WASHER, FLAT 5/16" | 64 | |
| 19 | 5283 | NUT, NYLOC 5/16" | 32 | |
| 20 | 16524 | SCREW, HHC 1/2-13 X 1-1/4" GRD 8 | 16 | |
| 21 | 16224 | BEARING, BROWNING VF2S-120M | 4 | |
| 22 | 16222 | SHAFT, SPLINED 10T | 2 | |
| 23 | 16677 | NUT, NYLOC 7/16-14 GRD 8 | 4 | |
| 24 | 16676 | SCREW, HHC 7/16-14 X 2" GRD 8 | 4 | |
| 31 | 16526 | SCREW, HHC 1/2-13 X 1-3/4" | 48 | |
| 32 | 16630 | WASHER, FLAT 1/2" | 192 | |
| 33 | 16629 | NUT, NYLOC 1/2-13 | 96 | |
| 34 | 16525 | BOLT, 1/2 X 1-1/2" | 48 | |
| 35 | 16458 | NUT, HEX 1-5/8-12 | 5 | |
| 36 | 16459 | NUT, HEX JAM 1-5/8-12 PLTD YLR ZN | 5 | |
| 37 | 36527 | TUBE, STRIKE 14' .25 WALL | 2 | |
| 38 | 36526 | TUBE, STRIKE 8' .25 WALL | 1 | |
| 39 | 36163 | HUB, AUXILIARY .25 WALL | 2 | |
| 40 | 16630 | WASHER, FLAT 1/2" SAE HARDENED | 4 | |
| 41 | 5054 A | WASHER, LOCK 1/2" MED | 4 | |
| 42 | 16781 | SCREW, HHC 1/2-13 X 2-1/4" | 4 | |
| 43 | 16786 | SCREW, SHS 1/2-13 X 3/4" | 4 | |

SHAFT PULLER ASSY.



SHAFT PULLER ASSY.

| <u>NO.</u> | <u>PART NO.</u> | <u>PART NAME</u> | <u>QTY.</u> | <u>REMARKS</u> |
|------------|-----------------|------------------------|-------------|--------------------|
| 1 @ | 20438 | SCREW, HHC 3/8-16 X 5" | 1 | |
| 2 @ | 36845 | WEIGHT, SHAFT PULLER | 1 | |
| 3 @ | 1456 | NUT, HEX FINISH 3/8-16 | 1 | |
| 4 | 36846 | SHAFT PULLER ASSY..... | 1..... | INCLUDES ITEMS W/@ |