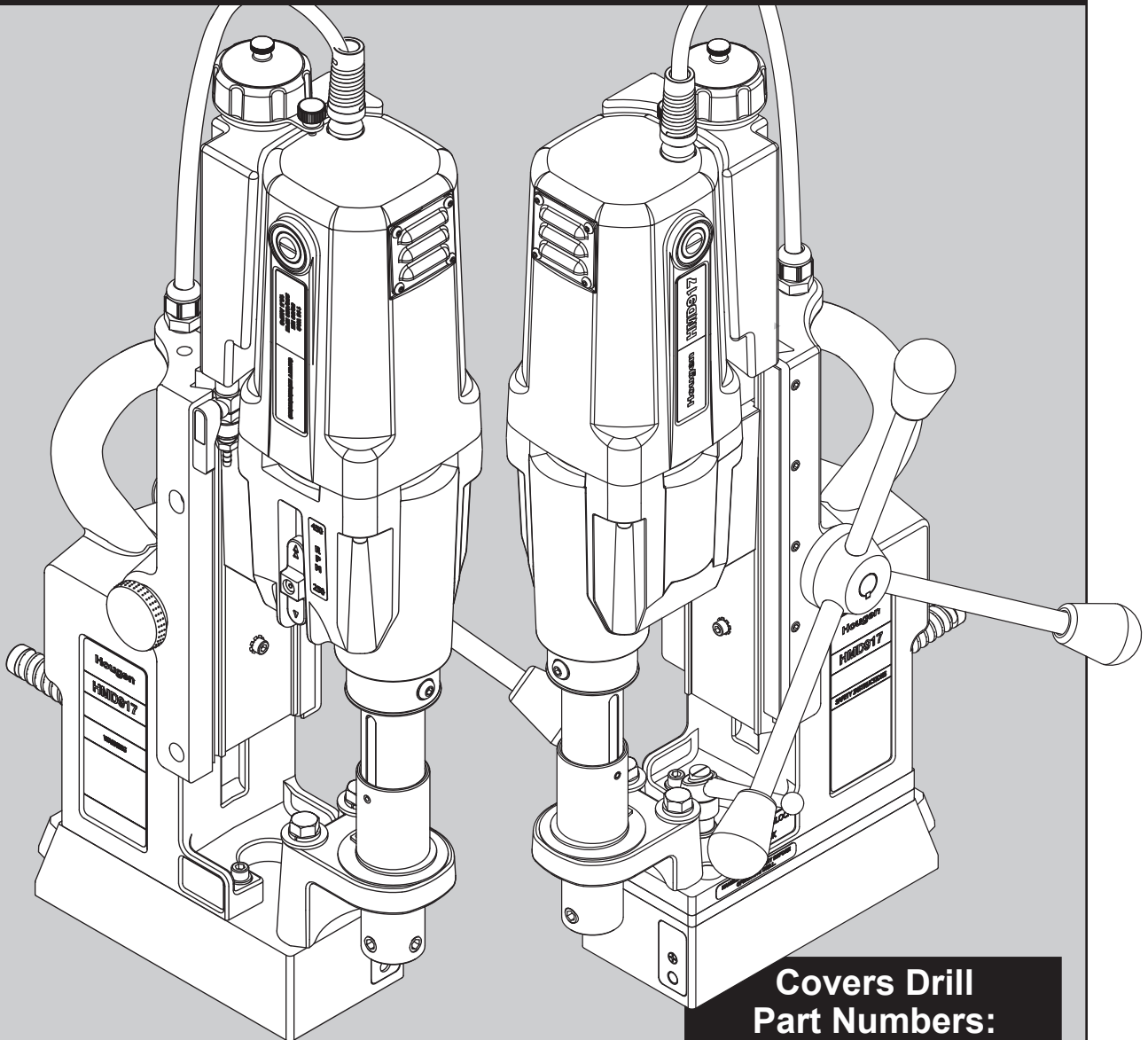




OPERATOR'S MANUAL

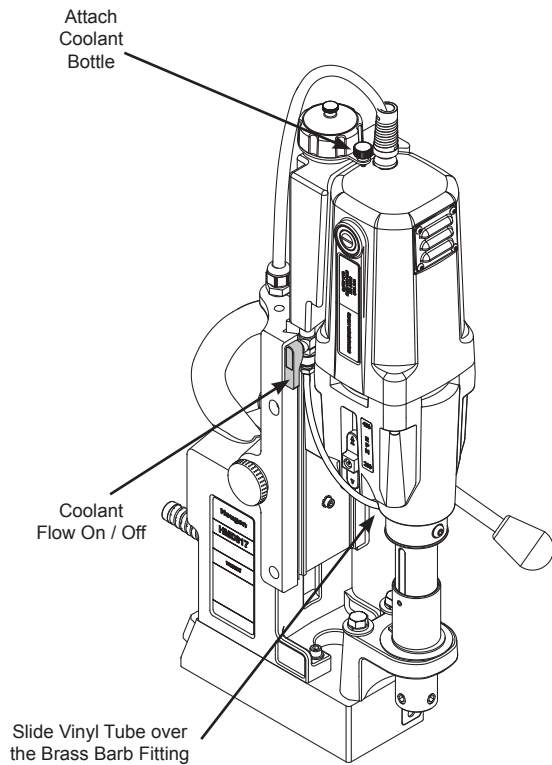
HMD917 SERIES PORTABLE MAGNETIC DRILL



**Covers Drill
Part Numbers:**

0917102	0917108
0917104	0917109
0917105	0917110

COOLANT BOTTLE ASSEMBLY



07950 Coolant Bottle Assembly	
Part #	Description
08255	Coolant Bottle
08061	Coolant Bottle Bracket
41044	SCR-BHC 10-32 x 3/8
05065	Ball Valve
05067	Brass Barb Fitting (bottom of the bottle)
40304	Vinyl Tube
24124	Cap - Coolant Bottle

HMD917 MAG BASE DRILL



Motor Assembly
(see page 12)

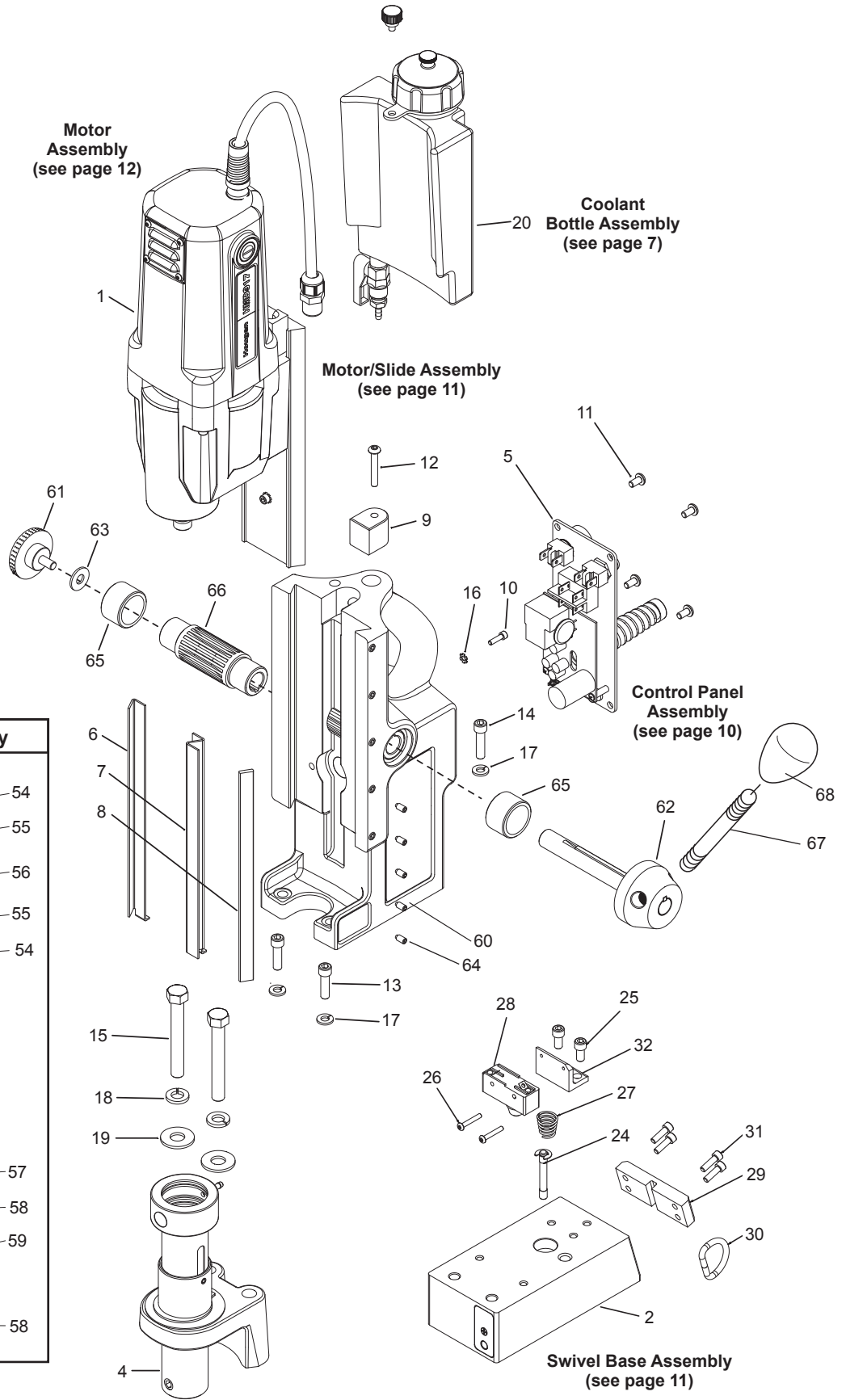
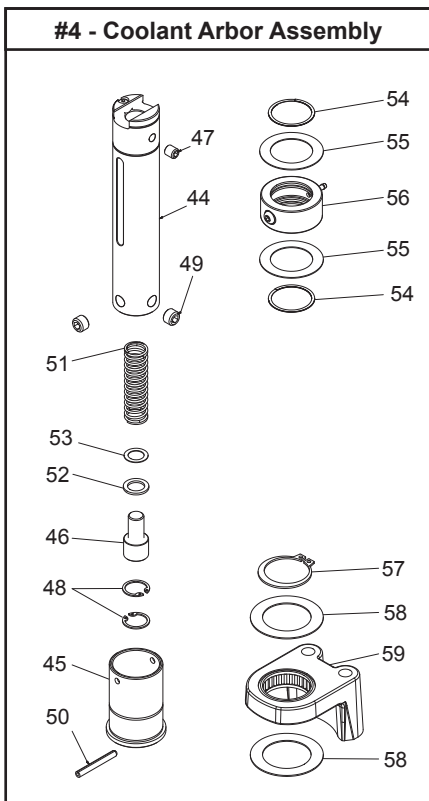
Coolant Bottle Assembly
(see page 7)

Motor/Slide Assembly
(see page 11)

Control Panel Assembly
(see page 10)

Swivel Base Assembly
(see page 11)

#4 - Coolant Arbor Assembly



HMD917 Breakdowns

Item	Part #	Description	Qty
1	08003	Motor / Slide Assy.	1
4	07917	Coolant Arbor Assy. Non Swivel	1
	08116	Coolant Arbor Assy. Swivel	1
5	08251	Control Panel	1
6	07834	Gib, Brass, Right Hand	1
7	07838	Gib, Brass, Left Hand	1
8	07842	Gib Steel	1
9	07833	Stop Block	1
10	17002	SCR SHC #6-32 x 1/2 LG	1
11	41044	SCR BHC #10-32 x 3/8 LG	4
12	10559	SCR BHC #10-32 x 1-1/4 LG	1
13	10553	SCR SHC 1/4-20 x 7/8 LG	2
14	40077	SCR SHC 1/4-20 x 1" LG	1
15	40594	Hex Bolt 3/8-24 x 3 (Non-Swivel)	2
	07088	Hex Bolt 3/8-24 x 2-1/4 (Non-Swivel)	2
16	90052	Lock Washer Ext. #6	1
17	90028	Lock Washer Helical 1/4	3
18	40391	Lock Washer Helical 3/8	2
19	40392	Washer Flat 3/8 Type A	2
20	07950	Coolant Bottle Assembly	1
Accessories Included			
	10565	Hex Key 1/8 wrench	1
	10730	Safety Chain 3/16 X 5' w/Snap Hook	1
	08080	Carrying Case w/Label	1
	24166	7/32" Hex Key for Arbor	1
	13013	5/32" Allen Wrench	1
67	10569	Feed Handle	3
68	04532	Knob - Oval	3

07985 Magnet Assembly

Item	Part #	Description	Qty
2	07982	Magnet	1
24	04961	Plunger Assy.	1
25	10971	SCR SHC 1/4-20 x 1/2" LG	2
26	10972	SCR BHC #6-32 x 7/8" LG	2
27	17271	Spring - Taper, Comp.	1
28	04885	Microswitch Assy.	1
29	07887	Plate - Ring Retaining	1
30	24144	D-Ring	1
31	41046	SCR SHC #10-32 x 1/2" LG	4
32	04909	Bracket - Safety Switch	1

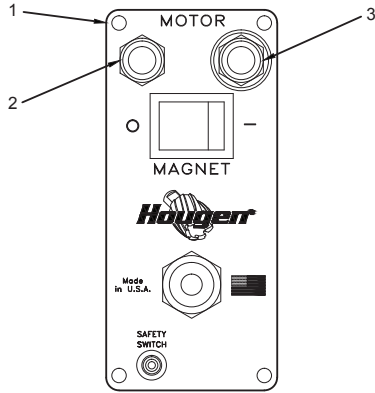
07917 Coolant Arbor Assembly

Item	Part #	Description	Qty
44	07075	Arbor - Coolant	1
45	40223	Collar Ejector	1
46	07079	Spring Seat	1
47	40256	SCR Set 5/16-18 x 3/8 Oval Pt	1
48	10517	Ring - Retaining Internal	2
49	40222	SCR Set 7/16-14 x .305	2
50	40312	Pin-Roll 3/16 dia x 1.564 Altered	1
51	05049	Spring - Comp	1
52	07436	Washer - Rubber	1
53	07440	Washer - Shim 12 x 18 x .5mm	1
54	40302	Ring - Retaining	2
55	40301	Washer, Thrust 1-3/8 x 2-1/16 x 1/32	2
56	07445	Coolant Inducer	1
	40300	O-Ring (<i>not shown</i>)	1
	07447	Fitting - Hose Barb Brass (<i>not shown</i>)	1
	07082	SCR BHC 1/4-28 x 1/4 (<i>not shown</i>)	1
57	40398	Ring - Retaining	1
58	40234	Washer, Thrust	2
59	08117	Front Support Bracket Assy. & Swivel	1

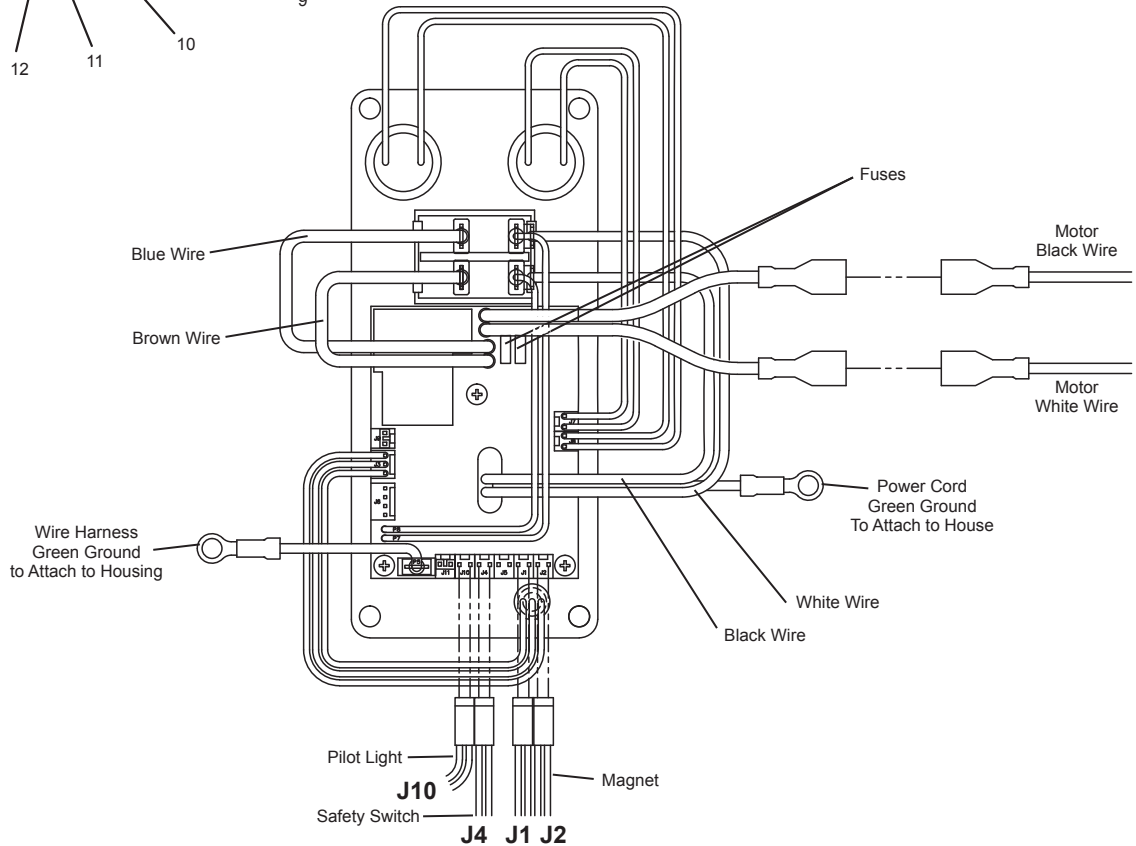
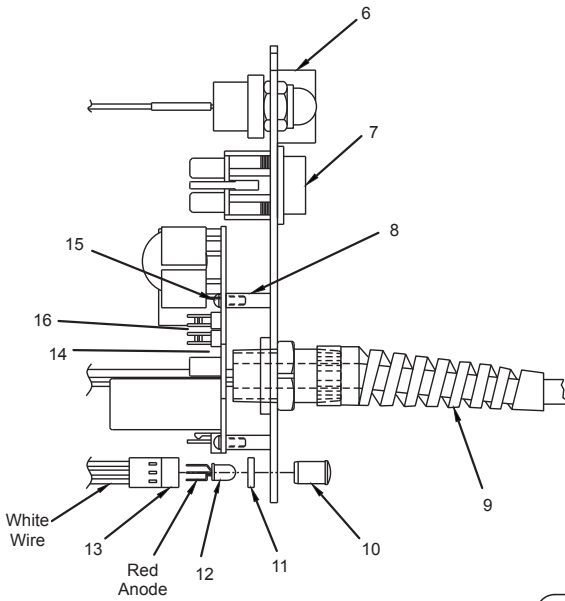
07921 Housing Assembly

Item	Part #	Description	Qty
60	07922	Drill Housing	1
61	05839	Knob - Comfort Rubber Grip	1
62	40254	Hub Assembly	1
63	10679	Washer - Flat 1/4 Type A	1
64	40237	Gib Screws	5
65	40231	Bushing - Bronze	2
66	40229	Feed Gear	1

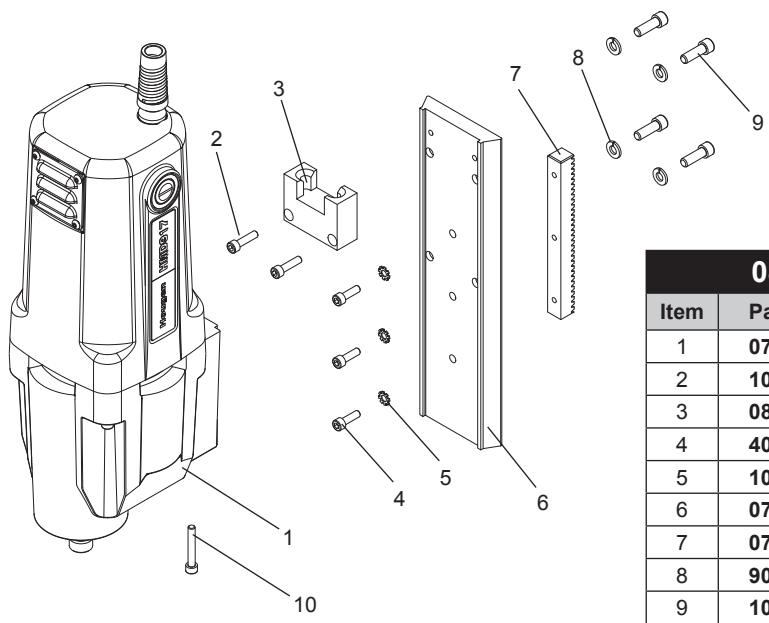
CONTROL PANEL BREAKDOWN & WIRING



08521 Panel Assembly			
Item	Part #	Description	Qty
1	07011	Faceplate	1
2	01335	Switch - Motor Off	1
3	01334	Switch - Motor On	1
6	01226	Guard Switch	1
7	04614	Magnet Switch	1
8	02548	Stand Off	3
9	24073	Power Cord Assembly	1
10	04879	Lens Clear L.E.D.	1
11	04878	Spacer L.E.D.	1
12	04881	Bulb L.E.D.	1
13	04877	Wire Harness L.E.D.	1
14	08646	Circuit Board-	1
15	02547	SCR #4-40 x 5/16 LG	3
16	07522	Fuse	2

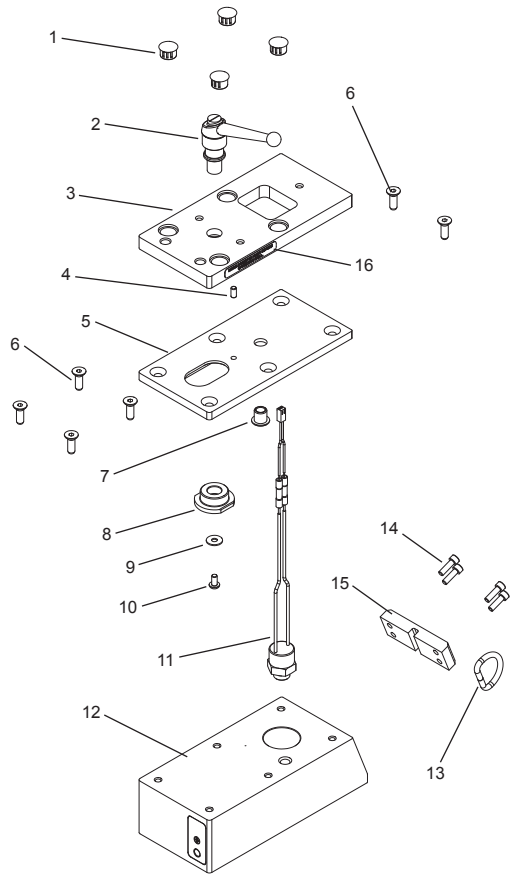


MOTOR SLIDE ASSEMBLY BREAKDOWN



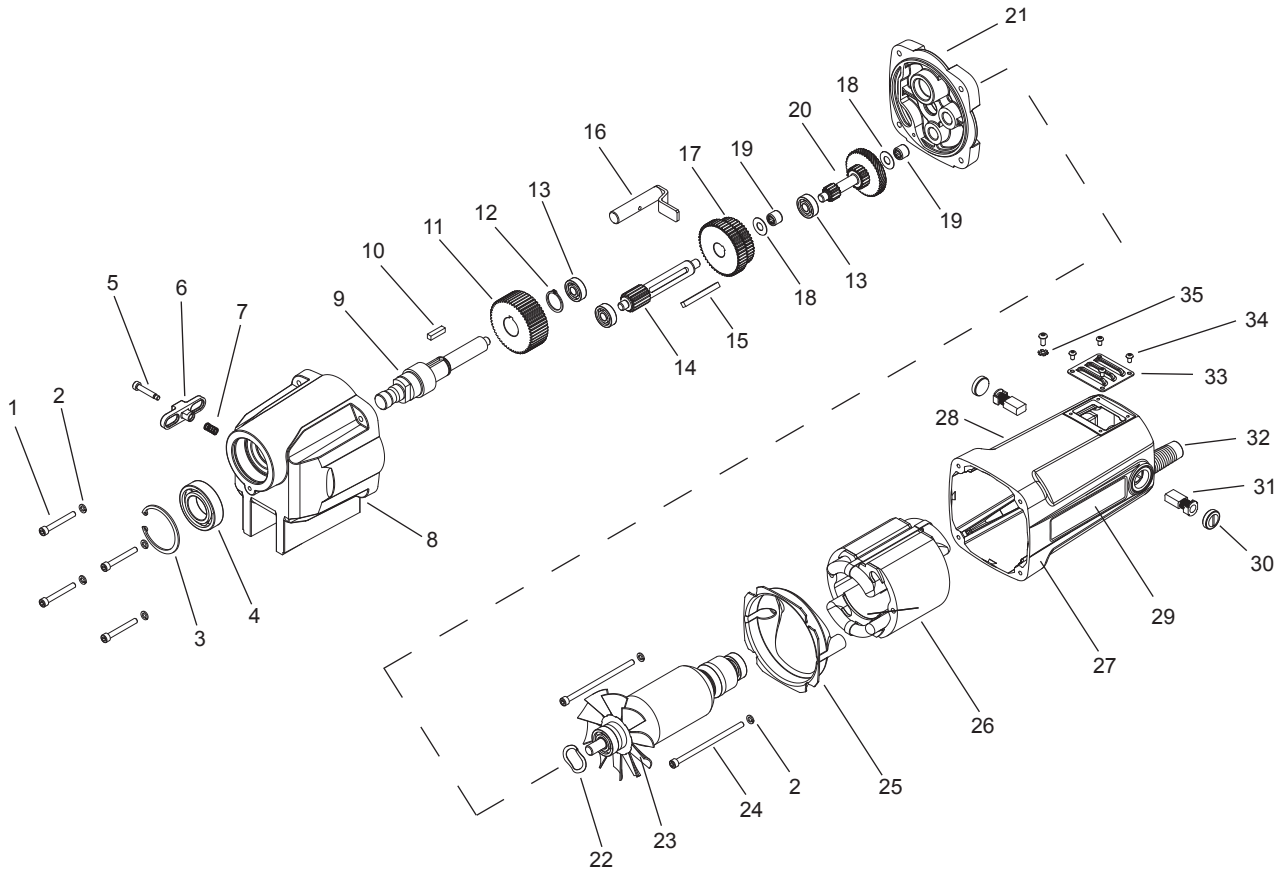
08003 Motor & Slide Assembly			
Item	Part #	Description	Qty
1	07871	Motor Complete Assembly	1
2	10649	SCR BHC #10-32 x 3/4	2
3	08063	Bottle Support	1
4	40038	SCR SHC #10-32 x 5/8 LG	3
5	10560	Lock Washer Ext. #10	3
6	07862	Slide - Dovetail	1
7	07934	Rack - Gear	1
8	90028	Lock Washer Helical 1/4	4
9	10624	SCR SHC 1/4-20 x 3/4	4
10	51044	SCR SHC 10-32 X 1-1/4	1

SWIVEL BASE MAGNET ASSEMBLY BREAKDOWN



08106 Swivel Magnet Assembly			
Item	Part #	Description	Qty
1	07216	Plug Hole	4
2	05659	Clamp Handle Assembly	1
3	08096	Swivel Plate	1
4	02898	Dowel Pin	1
5	08097	Slide Plate	1
6	05743	SCR FHC 1/4-20 x 3/4 LG	6
7	07215	Bushing - Flange	1
8	05658	Pivot - Rod	1
9	90237	Washer - Flat #10	1
10	41044	SCR BHC #10-32 x 3/8 LG	1
11	05652	Ball Switch Assembly	1
12	08107	Magnet & Safety Switch Asm	1
	05975	Plunger (not shown)	1
13	24144	D - Ring	1
14	41046	SCR SHC #10-32 x 1/2" LG	4
15	07887	Plate - Retaining Ring	1
16	07230	Label - Swivel Warning	1

MOTOR PARTS DIAGRAM



07871 Motor Assembly

Item	Part #	Description	Qty	Item	Part #	Description	Qty
1	41048	SCR-SHC #10-32 x 1-1/2	4	20	07911	Assembly Gears #2 & #3	1
2	50038	Washer - Lock Helical #10	6	21	07828	Gear Box Cover	1
3	07860	Retaining Ring	1	22	08070	Washer - Spring	1
4	40274	Bearing 25MM x 47MM x 12MM	1	23	07890	Armature Assembly	1
5	08069	SCR-SHSLD 3/16 x 7/8	1	24	07895	SCR-SHC #10-32 x 3-1/2 LG	2
6	07908	Switch	1	25	07892	Baffle	1
7	07910	Spring-Comp	1	26	07891	Field	1
8	07826	Gear Box Housing	1	27	07896	Motor Brush Holder Assembly	1
9	07901	Spindel - Motor Drive	1	28	07876	Specs Label	1
10	07904	Key	1	29	07873	Motor Label	1
11	07900	Gear Spur Removable	1	30	24044	Brush Holder Cap	2
12	24160	Retaining Ring	1	31	24045	Carbon Brushes	2
13	24100	Ball Bearing	3	32	08338	Motor Cord	1
14	07899	Gear Spur Removable	1	33	07848	Cover, Brush Access	1
15	07905	Key	1	34	02385	SCR-BHC #6-32 x 1/4	4
16	07868	Shift Control Rod Arm	1	35	10538	Washer - Lock	1
17	07914	Assembly, Change gear	1				
18	17610	Washer - Flat 8mm	2				
19	07903	Needle Bearing	2				