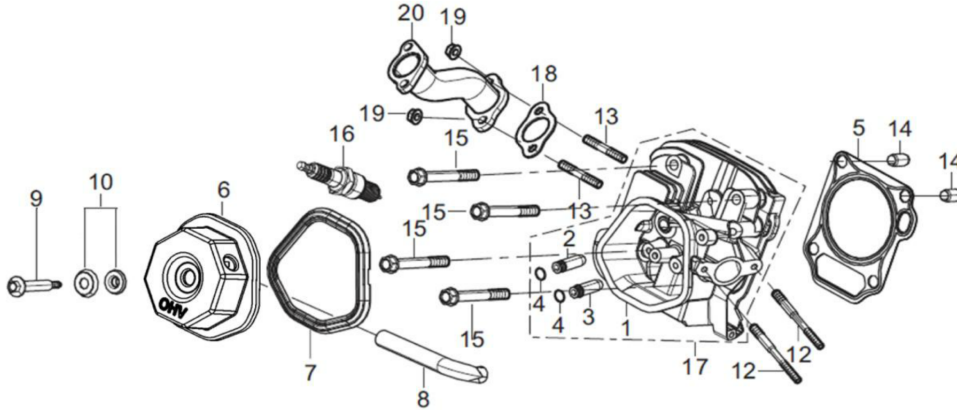




Mi-T-M Corporation / Engines / 1-0214 / 1-0214 / 1-0214 (sn:0-99999999)

Cylinder Head Subassembly

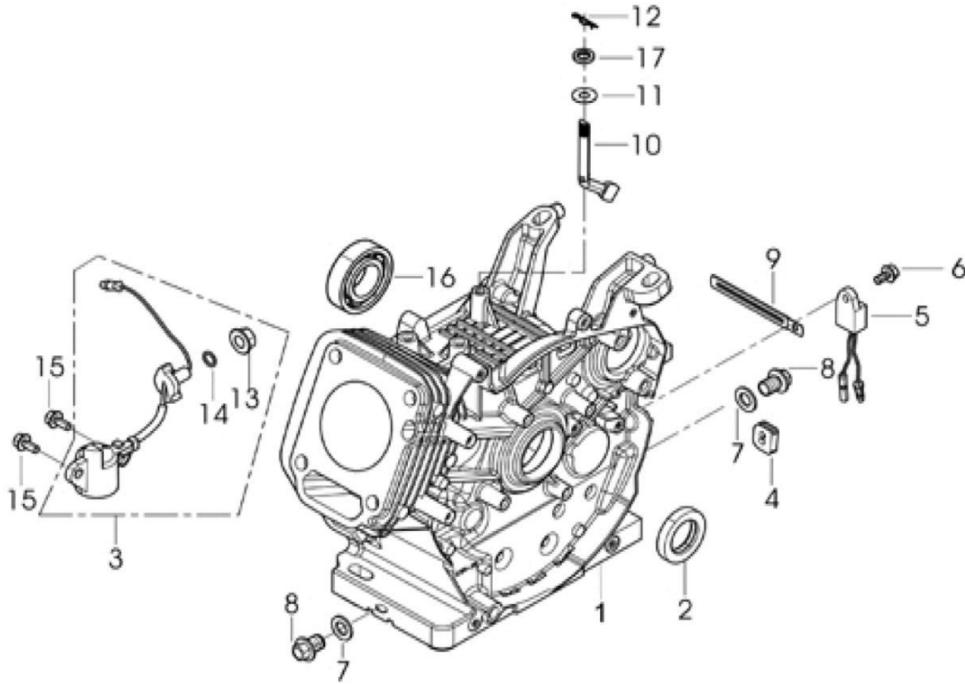


Id	Item #	Description	Quantity	Rev	Comments
5	45-0590	GASKET CYLINDER HEAD	1		
6	45-0559	CYLINDER HEAD COVER SUBASSY	1		
7	45-0240	GASKET-CYLINDER HEAD COVER	1		
8	45-0561	TUBE-BREATHER	1		
9	45-0241	BOLT-CYLINDER HEAD COVER	1		
12	45-0564	STUD-CARBURETOR	2		
13	45-0468	STUD	2		
14	45-0330	PIN-CYLINDER HEAD	2		
15	45-0239	BOLT- CYLINDER HEAD	4		
16	45-0310	SPARK PLUG	1		
17	45-0416	CYLINDER HEAD SUBASSY	1		
18	45-0435	GASKET-EXHAUST OUTLET	1		
19	45-0534	NUT	2		



Mi-T-M Corporation / Engines / 1-0214 / 1-0214 / 1-0214 (sn:0-99999999)

Crankcase/governor gear Assembly

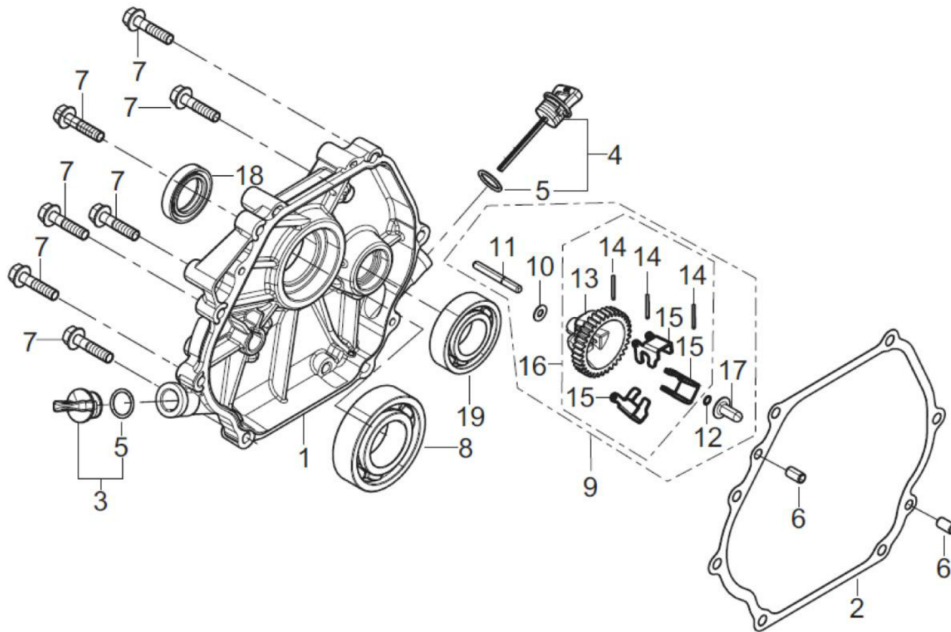


Id	Item #	Description	Quantity	Rev	Comments
1	45-0591	CRANKCASE SUBASSY	1		
2	45-0334	SEAL-OIL	1		
3	45-0314	SENSOR-ENGINE OIL	1		
4	45-0306	PLUG-DRAIN	1		
5	45-0313	PROTECTOR-OIL	1		
6	45-0315	BOLT-OIL PROTECTOR	1		
7	45-0326	WASHER-DRAIN PLUG	2		
8	45-0236	BOLT-DRAIN PLUG	2		
9	45-0335	CLIP	1		
10	45-0278	GOVERNOR ARM	1		
11	45-0327	WASHER-GOVERNOR ARM	1		
12	45-0328	PIN	1		
15	45-0316	BOLT	2		
16	45-0567	BALL BEARING	1		
17	45-0334	SEAL-OIL	1		



Mi-T-M Corporation / Engines / 1-0214 / 1-0214 / 1-0214 (sn:0-99999999)

Crankcase Cover Subassembly

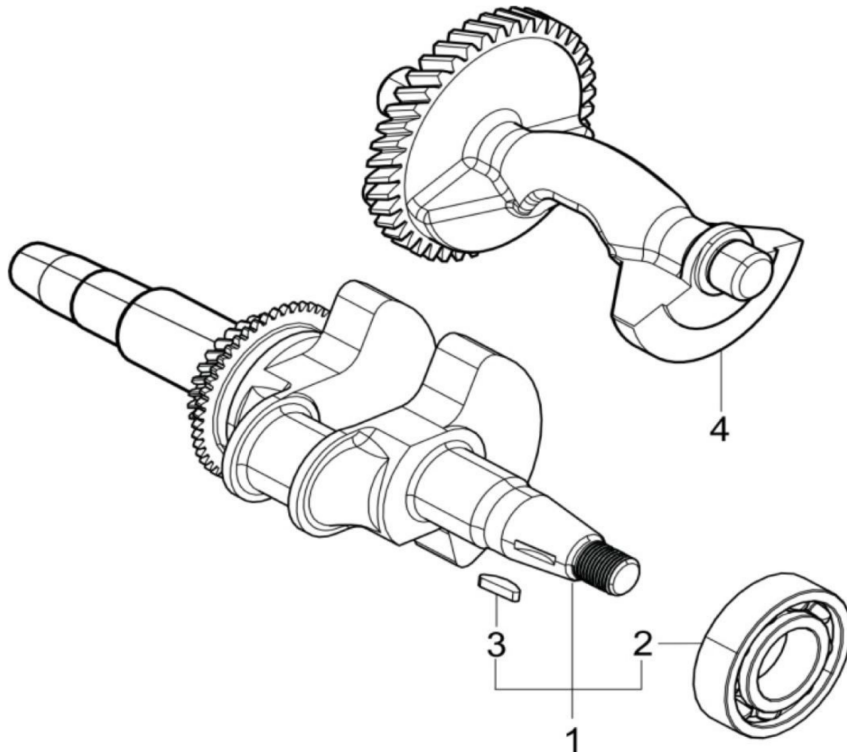


Id	Item #	Description	Quantity	Rev	Comments
1	45-0418	CRANKCASE COVER	1		
2	45-0419	GASKET-CRANKCASE	1		
3	45-0273	OIL PLUG SUBASSY	1		
4	45-0272	DIPSTICK SUBASSY-OIL	1		
6	45-0570	PIN	2		
7	45-0321	BOLT-CRANKCASE	7		
8	45-0571	BEARING-CRANK SHAFT	1		
9	45-0284	GOVERNOR GEAR ASSY	1		
18	45-0385	OIL SEAL	1		
19	45-0567	BEARING-GOV GEAR	1		



Mi-T-M Corporation / Engines / 1-0214 / 1-0214 / 1-0214 (sn:0-99999999)

Crankshaft Assembly

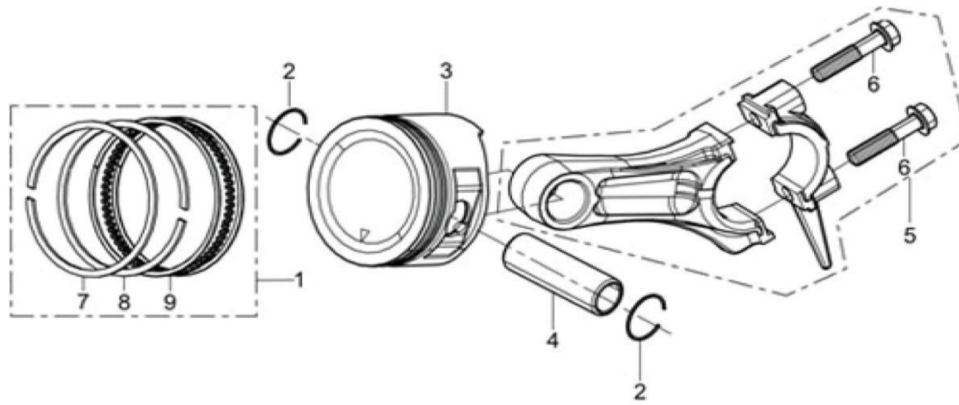


Id	Item #	Description	Quantity	Rev	Comments
1	45-0668	CRANKSHAFT ASSY	1		
4	45-0261	BALANCING SHAFT ASSY	1		



Mi-T-M Corporation / Engines / 1-0214 / 1-0214 / 1-0214 (sn:0-99999999)

Piston Subassembly

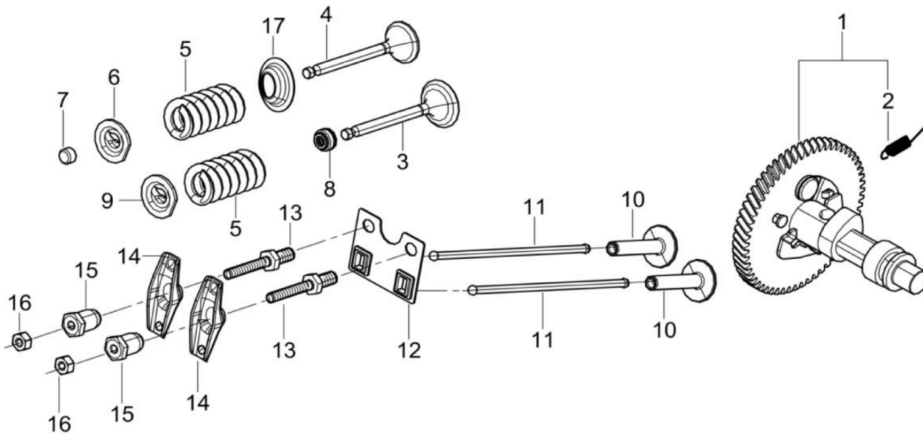


Id	Item #	Description	Quantity	Rev	Comments
2	45-0256	CLIP-PISTON PIN	2		
3	45-0423	PISTON	1		
4	45-0255	PIN-PISTON	1		
5	45-0253	ROD-CONNECTING	1		
7	45-0424	RING-THE FIRST	1		
8	45-0425	RING-THE SECOND	1		
9	45-0422	RING SET-OIL	1		



Mi-T-M Corporation / Engines / 1-0214 / 1-0214 / 1-0214 (sn:0-99999999)

Valve Train//Camshaft Subassembly

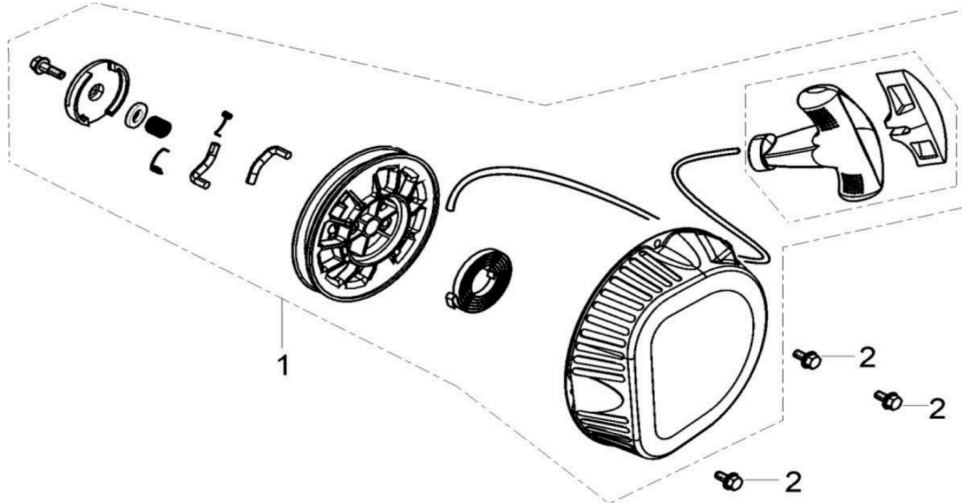


Id	Item #	Description	Quantity	Rev	Comments
1	45-0426	CAMSHAFT ASSY	1		
3	45-0428	VALVE-INTAKE	1		
4	45-0427	VALVE-EXHAUST	1		
5	45-0243	VALVE-SPRING	2		
6	45-0246	EXHAUST VALVE-RETAINER	1		
7	45-0244	VALVE-ROTATOR	1		
8	45-0242	GUIDE-SEAL	1		
9	45-0248	SEAT-VALVE SPRING	1		
10	45-0429	VALVE-TAPPET	2		
11	45-0430	VALVE LIFTER SUBASSY	2		
12	45-0266	LIFTER STOPPER PLATE SUBASSY	1		
13	45-0270	BOLT-VALVE ADJUSTING	2		
14	45-0268	VALVE-ROCKER	2		
15	45-0271	NUT-VALVE ADJUSTING	2		
16	45-0269	NUT-VALVE LOCK	2		
17	45-0245	RETAINER-VALVE SPRING	1		



Mi-T-M Corporation / Engines / 1-0214 / 1-0214 / 1-0214 (sn:0-99999999)

Recoil Starter

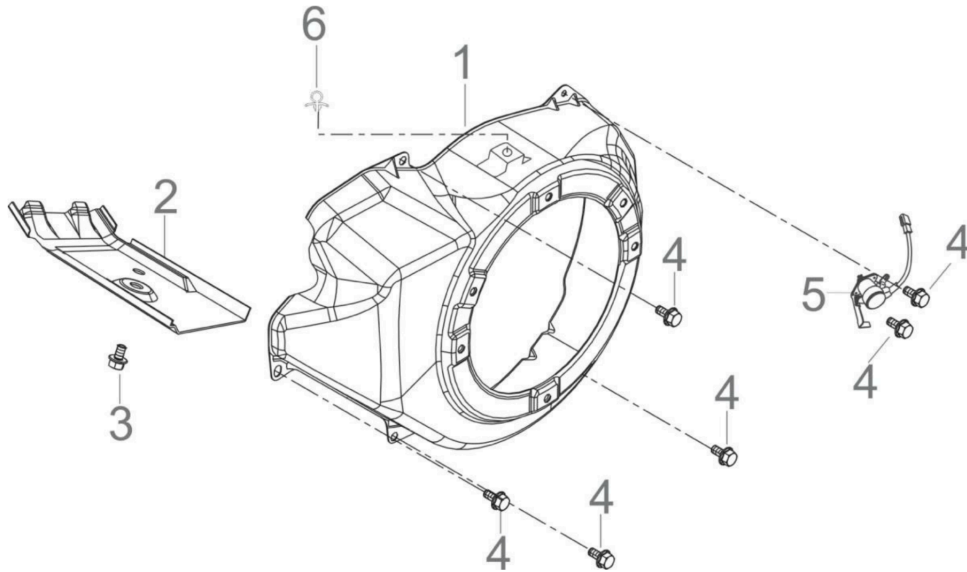


Id	Item #	Description	Quantity	Rev	Comments
1	45-0579	RECOIL STARTER ASSY	1		
2	45-0381	BOLT	4		



Mi-T-M Corporation / Engines / 1-0214 / 1-0214 / 1-0214 (sn:0-99999999)

Shrouds

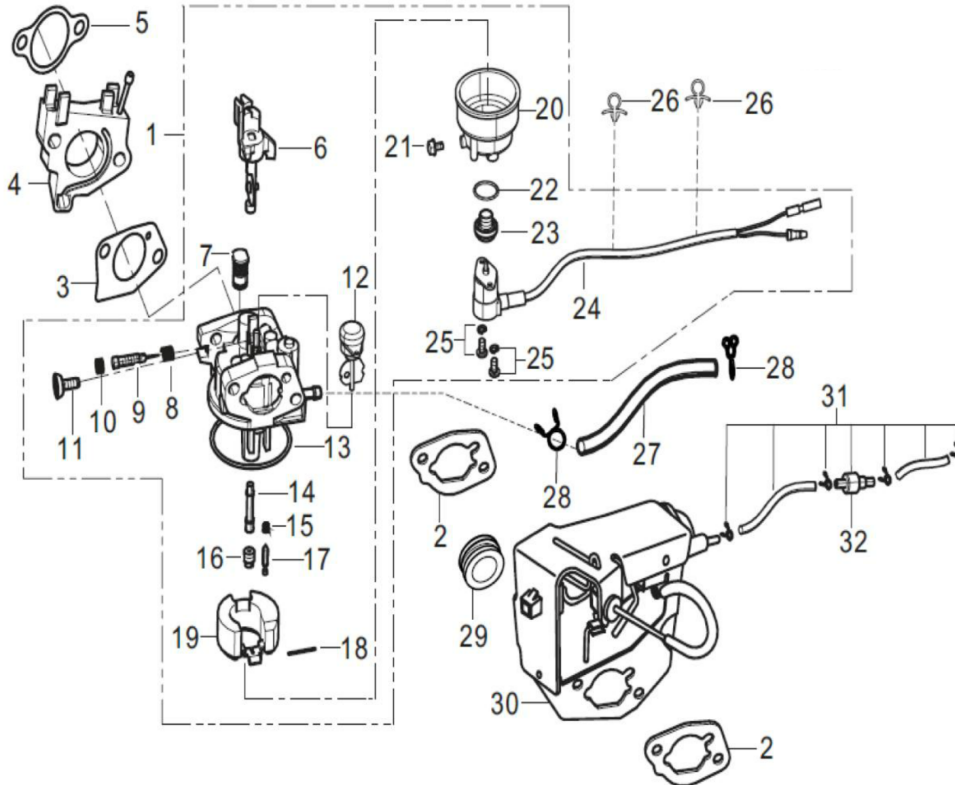


Id	Item #	Description	Quantity	Rev	Comments
1	45-0580	SHROUD-IMPELLER	1		
2	45-0431	SHROUD-CYLINDER BODY	1		
3	45-0315	BOLT	1		
4	45-0315	BOLT	5		
5	45-0581	IDLE-DOWN SOLENOID-ENGINE	1		
6	45-0507	CLIP	1		
7	45-0669	CONTROL BOX SUPPORT SUBASSY	1		



Mi-T-M Corporation / Engines / 1-0214 / 1-0214 / 1-0214 (sn:0-99999999)

Carburetor Assembly

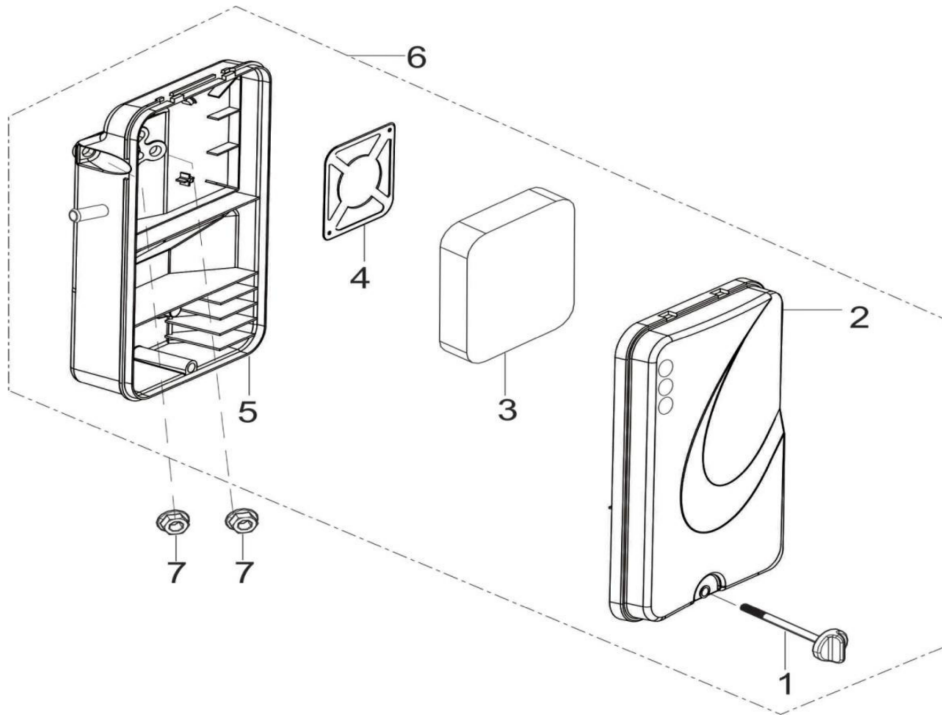


Id	Item #	Description	Quantity	Rev	Comments
1	45-0583	CARBURETOR ASSY	1		
2	45-0584	GASKET-AIR CLEANER	1		
3	45-0275	GASKET-CARBURETOR	1		
4	45-0276	PLATE-CARBURETOR INSULATOR	1		
5	45-0296	GASKET-CARBURETOR INSULATOR	1		
26	45-0582	CLIP	2		
27	45-0646	FUEL TUBE	1		
28	45-0517	CLIP	2		
29	45-0670	BREATHER TUBE SLEEVE	1		
30	45-0671	CHOKE CONTROL ASSY	1		
32	45-0672	VALVE-ONE WAY	1		



Mi-T-M Corporation / Engines / 1-0214 / 1-0214 / 1-0214 (sn:0-99999999)

Air Cleaner

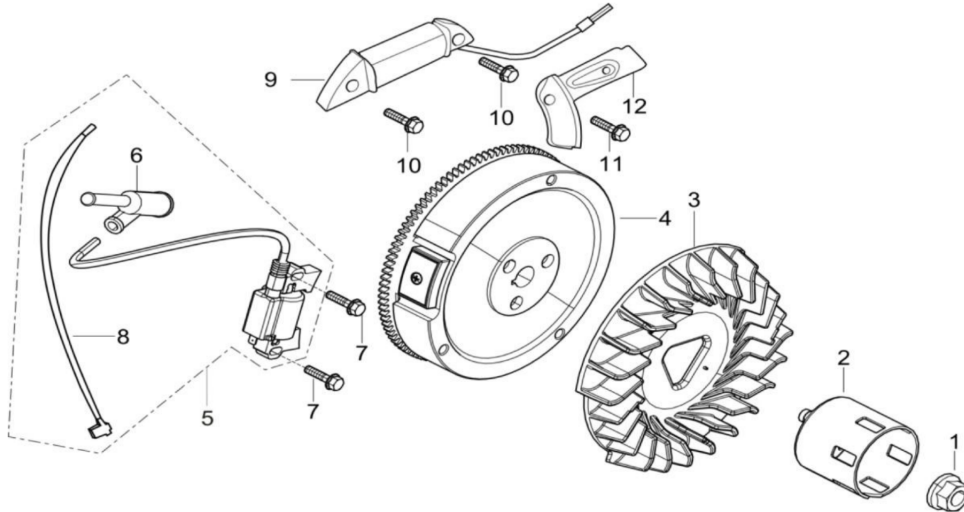


Id	Item #	Description	Quantity	Rev	Comments
3	45-0674	AIR CLEANER ELEMENT	1		
6	45-0586	AIR CLEANER	1		
7	45-0324	NUT	1		



Mi-T-M Corporation / Engines / 1-0214 / 1-0214 / 1-0214 (sn:0-99999999)

Flywheel//Impeller/Starter Pulley/Ignition Coil

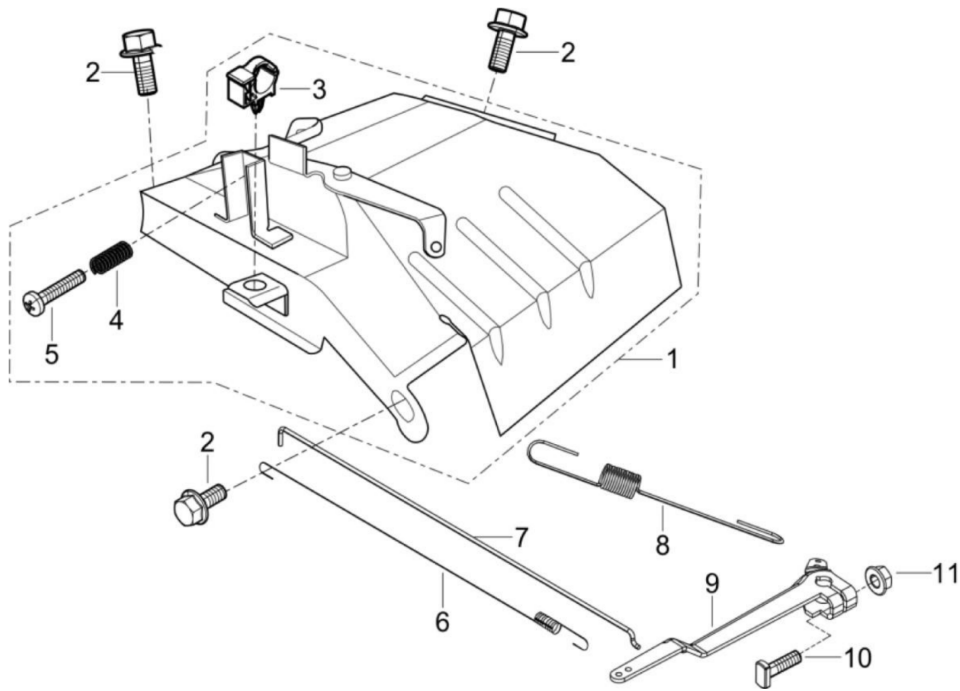


Id	Item #	Description	Quantity	Rev	Comments
1	45-0262	NUT-FLYWHEEL	1		
2	45-0305	PULLEY-STARTER	1		
3	45-0437	IMPELLER	1		
4	45-0595	FLYWHEEL SUBASSY	1		
5	45-0311	COIL-IGNITION	1		
7	45-0318	BOLT-COIL CLAMP	2		
9	45-0441	CHARGE COIL SUBASSY	1		
10	45-0596	BOLT	2		
11	45-0533	BOLT	2		
12	45-0440	CLAMP-CHARGE COIL	1		



Mi-T-M Corporation / Engines / 1-0214 / 1-0214 / 1-0214 (sn:0-99999999)

Throttle Control Assembly

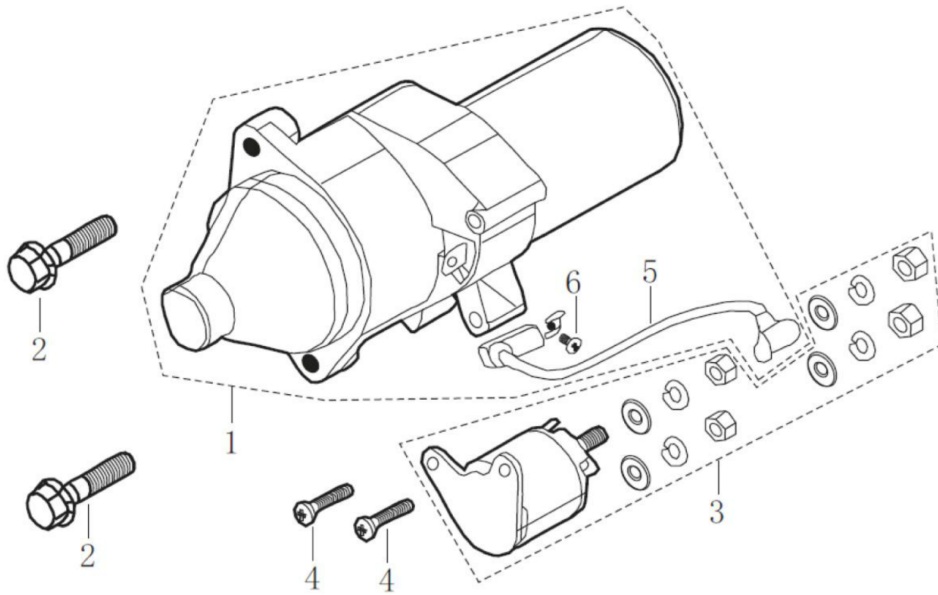


Id	Item #	Description	Quantity	Rev	Comments
1	45-0587	THROTTLE CONTROL ASSY	1		
2	45-0315	BOLT	3		
3	45-0582	CLIP	1		
6	45-0277	SPRING-THROTTLE VALVE RETURN	1		
7	45-0279	ROD-GOVERNEOR	1		
8	45-0588	SPRING-GOVERNOR	1		
9	45-0589	GOVERNOR SUPPORT SUBASSY	1		
10	45-0282	BOLT-GOVERNOR SUPPORT	1		
11	45-0324	NUT	1		



Mi-T-M Corporation / Engines / 1-0214 / 1-0214 / 1-0214 (sn:0-99999999)

Starting Motor Assembly

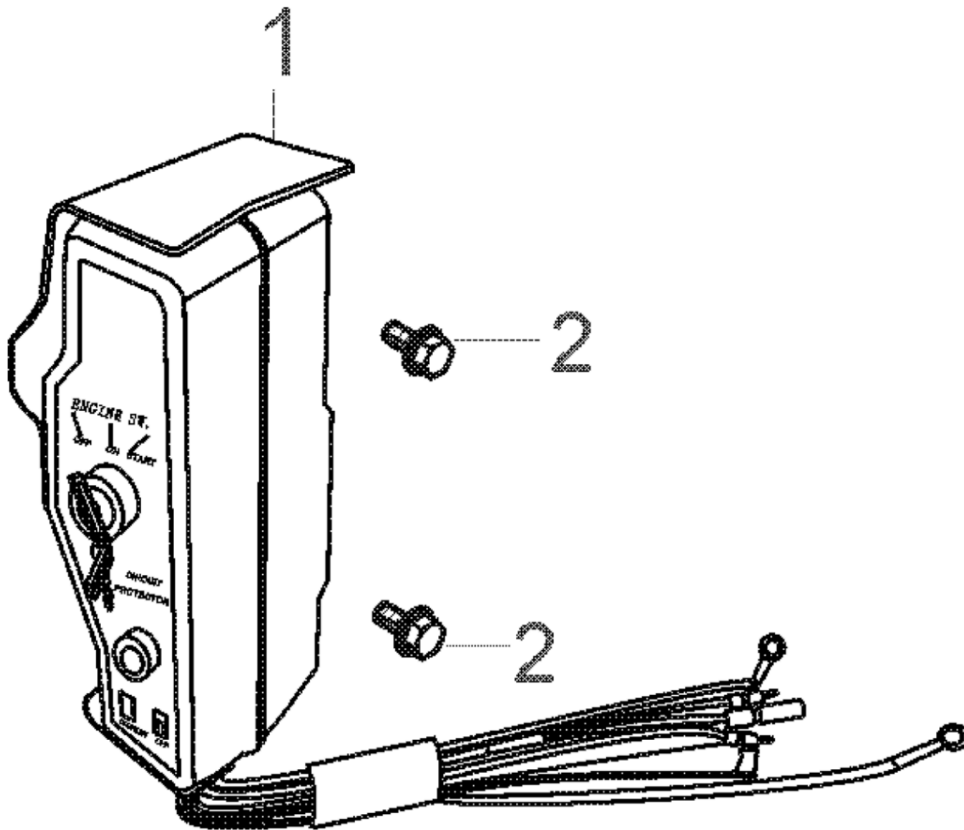


Id	Item #	Description	Quantity	Rev	Comments
1	45-0442	MOTOR STARTING ASSY	1		
2	45-0389	BOLT-MOTOR STARTER	2		
3	45-0717	STARING RELAY	1		
4	45-0445	BOLT-STARTING RELAY	2		



Mi-T-M Corporation / Engines / 1-0214 / 1-0214 / 1-0214 (sn:0-99999999)

Motor Control Box



Id	Item #	Description	Quantity	Rev	Comments
1	45-0444	CONTROL SWITCH	1		
2	45-0315	BOLT-CONTROL SWITCH	2		