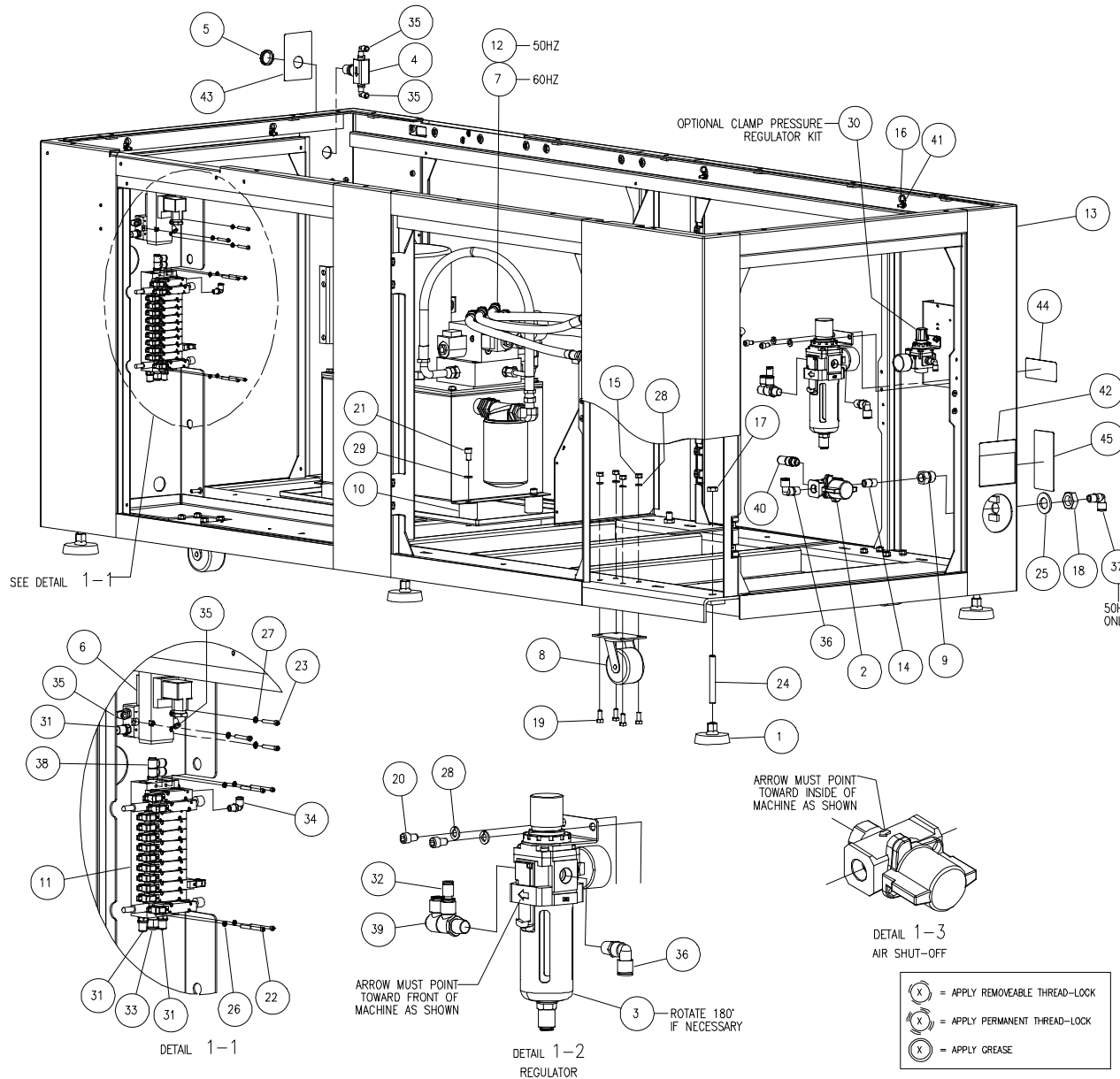
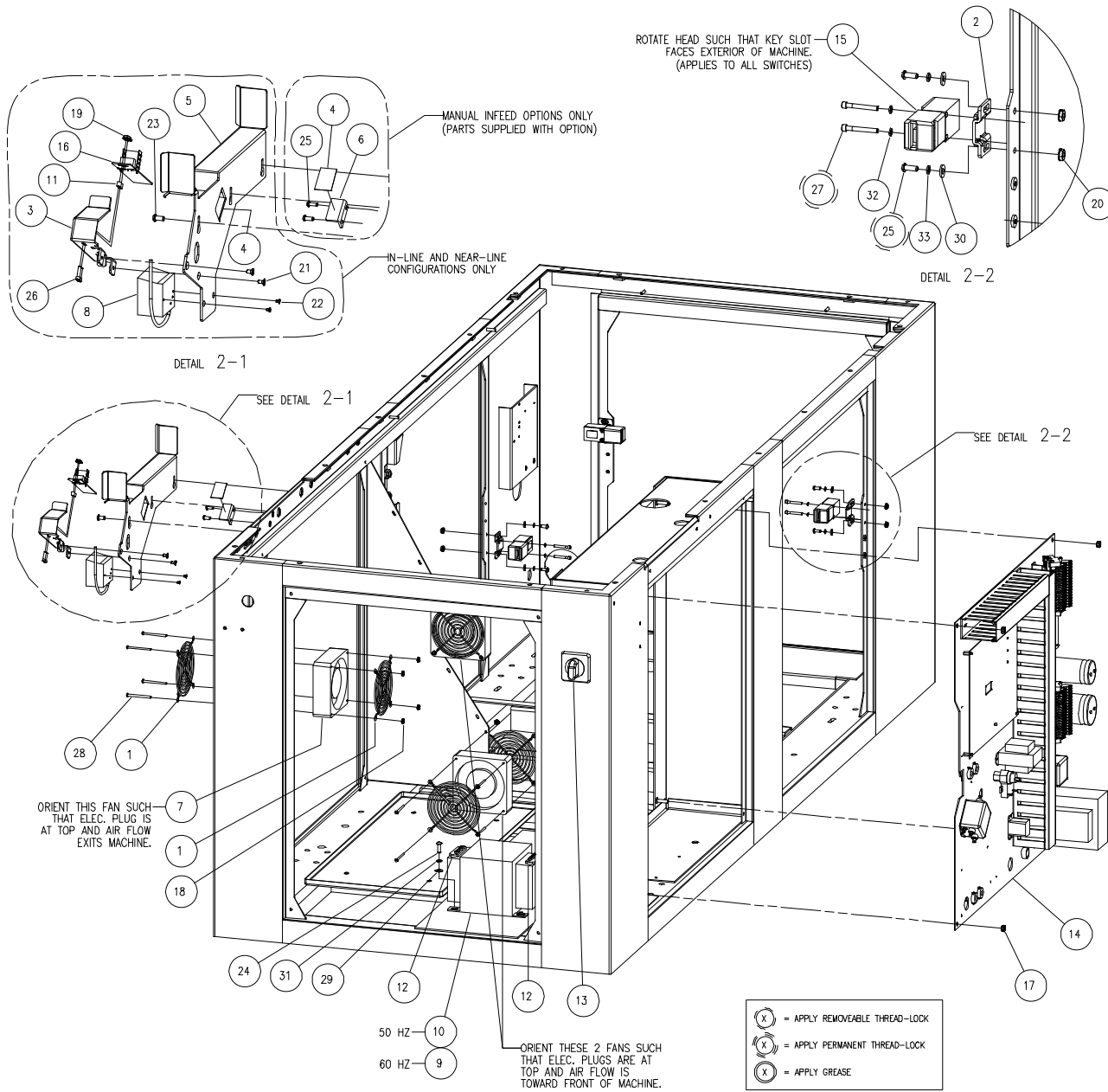


PL 5.1 Main Assembly 5600TCA (1/26)



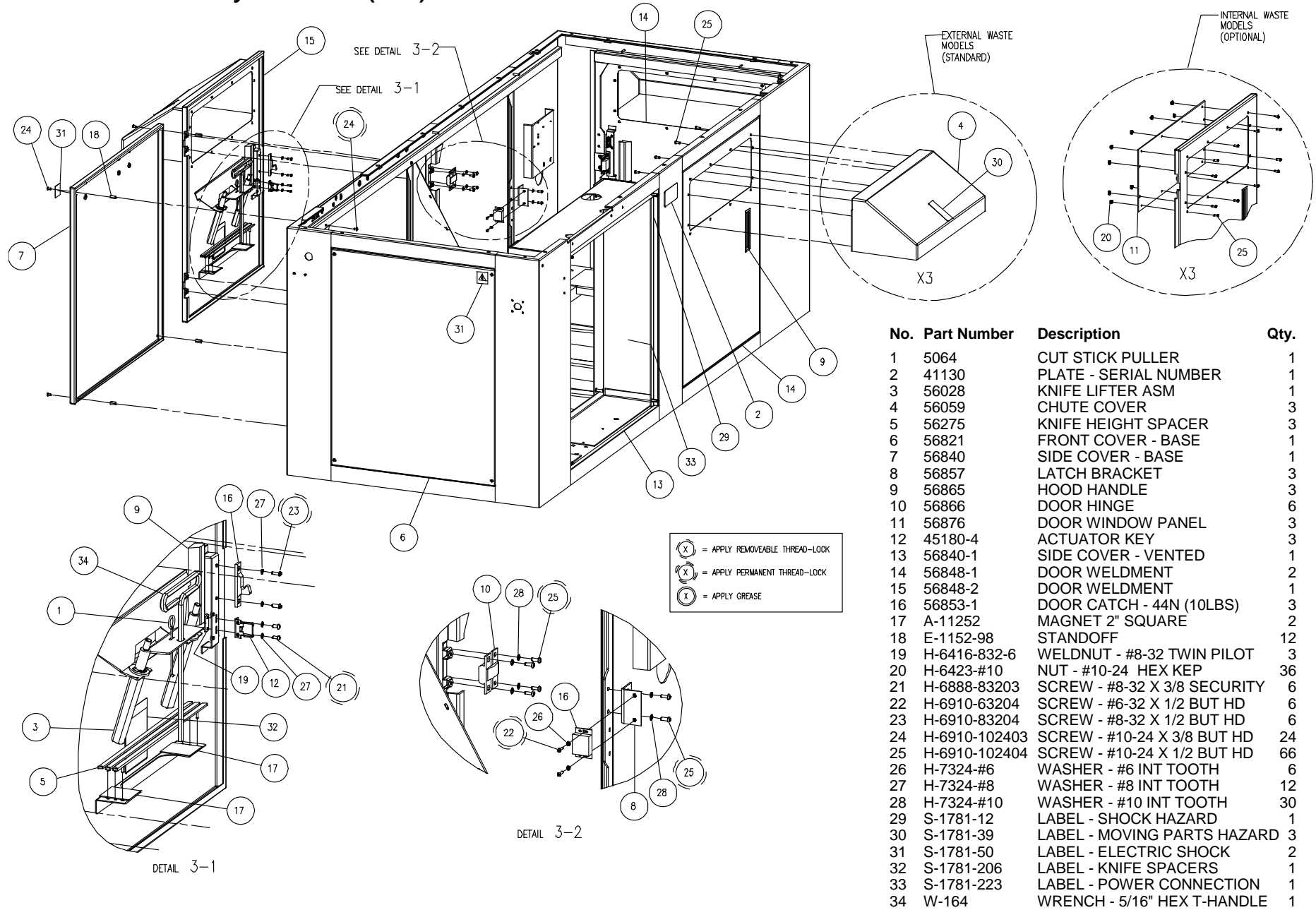
No.	Part Number	Description	Qty.
1	51036	FOOT	6
2	56005	AIR DISCONNECT VALVE	1
3	56014	PNEUMATIC FILTER/REGULATOR	1
4	56015	AIR FLOW CONTROL W/ NUT	1
5	56016	PANEL NUT	1
6	56021	ELEC/PNEUM. PRES. VALVE	1
7	56700	HYDRAULIC POWER UNIT - 60HZ	1
8	56805	CASTER	4
9	56863	BULKHEAD FITTING	1
10	40016-5	MOUNT - VIBRATION	4
11	56010-2	MANIFOLD ASSEMBLY	1
12	56700-1	HYDRAULIC POWER UNIT - 50HZ	1
13	56810-2	BASE WELDMENT - CMT-330TC	1
14	H-6406-608	BRASS PIPE NIPPLE - CLOSE	1
15	H-6417-5	NUT - 5/16-18 HEX	16
16	H-6423-#10	NUT - #10-24 HEX KEP	4
17	H-6424-8	NUT - 1/2-13 HEX JAM	6
18	H-6424-14	NUT - 7/8-9 HEX JAM	1
19	H-6913-506	SCREW - 5/16-18 X 3/4 HEX HD	16
20	H-6918-504	SCREW - 5/16-18 X 1/2 SOC HD	2
21	H-6918-605	SCREW - 3/8-16 X 5/8 SOC HD	4
22	H-6918-83216	SCREW - #8-32 X 2 SOC HD	4
23	H-6918-102410	SCREW - #10-24 X 1-1/4 SOC HD	3
24	H-6938-864	SCREW - 1/2-13 X 4 CUP SOC SET	6
25	H-7321-14	WASHER - 7/8 SAE PLAIN	1
26	H-7324-#8	WASHER - #8 INT TOOTH	4
27	H-7324-#10	WASHER - #10 INT TOOTH	3
28	H-7327-10	WASHER - 5/16 MEDIUM LOCK	18
29	H-7327-12	WASHER - 3/8 MEDIUM LOCK	4
30	K-56025	CLAMP PRESS. REG. (OPTIONAL)	1
31	P-511	SILENCER - 1/4 NPT	3
32	P-514	PLUG-IN REDUCER, 3/8 TO 1/4	1
33	P-500-602	STR. FITTING-3/8 TUBE X 1/4 NPT	1
34	P-503-401	ELBOW-1/4 TUBE X 1/8 NPT	1
35	P-503-402	ELBOW-1/4 TUBE X 1/4 NPT	4
36	P-503-603	ELBOW-3/8 TUBE X 3/8 NPT	2
37	P-503-1203	ELBOW-12MM TUBE X 3/8 UNI	1
38	P-509-402	DOUBLE ELBOW 1/4 T X 1/4 NPT	1
39	P-509-603	DOUBLE ELBOW 3/8 T X 3/8 NPT	1
40	P-511-2	SILENCER - 3/8 NPT	1
41	S-1694-2	TYRAP - #10	4
42	S-1781-102	LABEL - AIR MAIN DISC.	1
43	S-1781-130	LABEL - BOTTOM BLAST	1
44	S-1781-195	LABEL - PRESSURE SETTING	1
45	S-1781-204	LABEL - AIR INLET	1

PL 5.2 Main Assembly 5600TCA (2/26)



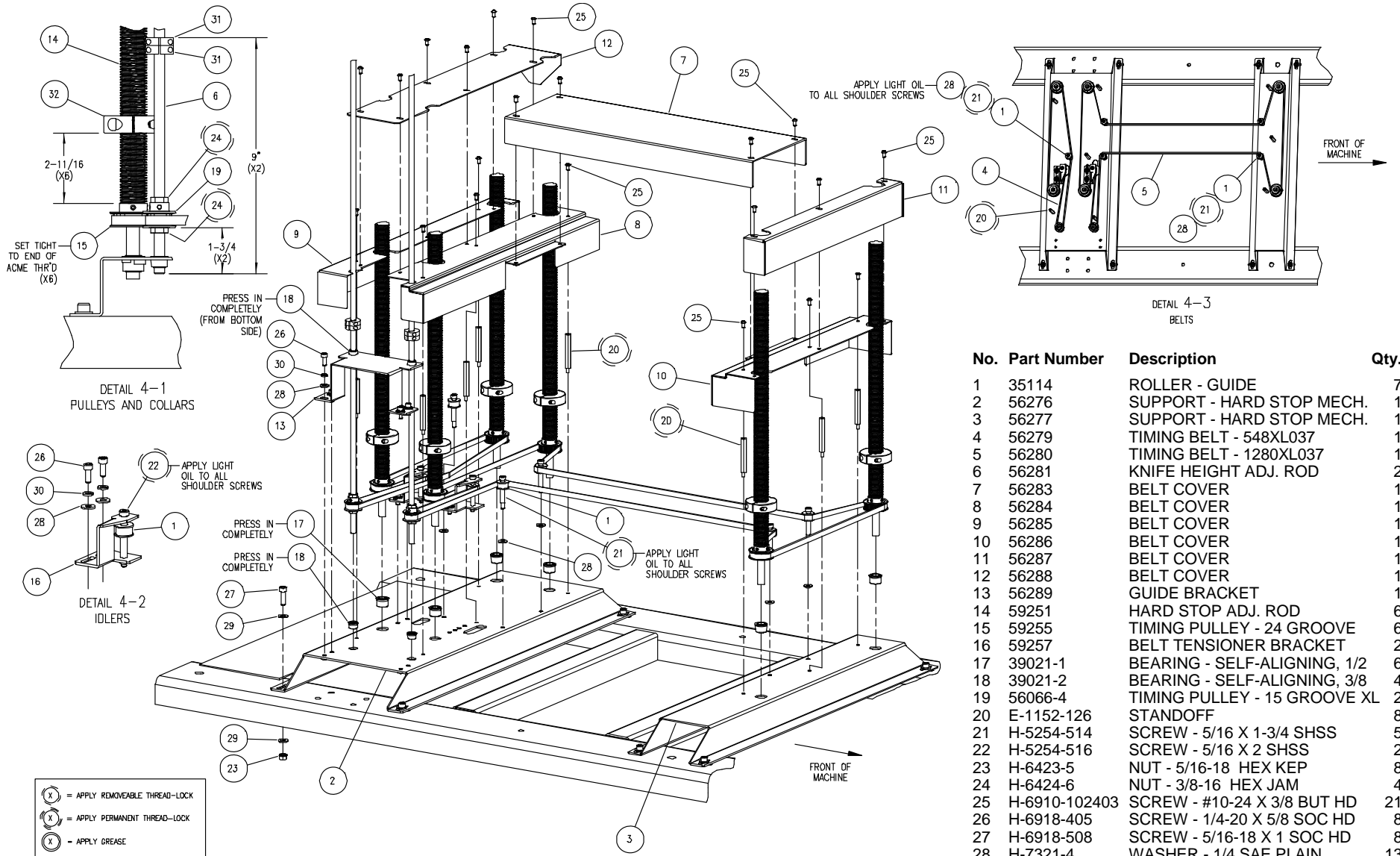
No.	Part Number	Description	Qty.
1	47092	GUARD - FAN	6
2	56877	INTERLOCK SWITCH BRACKET	3
3	59184	LED LIGHT BRACKET AND COVER	1
4	56180	REFL. TAPE - 1" W X 1-1/2" L	1
5	56532-3	INFEED BRIDGE	1
6	58029-1	REFLECTOR BRACKET	REF
7	E-2483	FAN	3
8	E-3551	BAR CODE SCANNER	1
9	E-1089-24	CONTROL TRANSFORMER - 60HZ	1
10	E-1089-28	CONTROL TRANSFORMER - 50HZ	1
11	E-1152-9	STANDOFF	2
12	E-2974-1	COVER - TERMINAL	2
13	EE-2971	SWITCH - MAIN DISCONNECT	1
14	EE-3554	ELECTRICAL PANEL ASSEMBLY	1
15	EE-3559	INTERLOCK SWITCH ASM.	3
16	EE-3561	LED LIGHT BOARD ASM.	1
17	H-6423-4	NUT - 1/4-20 HEX KEP	4
18	H-6423-#6	NUT - #6-32 HEX KEP	12
19	H-6423-#8	NUT - #8-32 HEX KEP	2
20	H-6423-#10	NUT - #10-24 HEX KEP	6
21	H-6909-102403	SCREW - #10-24 X 3/8" FLT HD	2
22	H-6909-M305	SCREW - M3 X 5MM FLT HD	2
23	H-6910-404	SCREW - 1/4-20 X 1/2 BUT HD	3
24	H-6910-406	SCREW - 1/4-20 X 3/4 BUT HD	4
25	H-6910-102404	SCREW - #10-24 X 1/2 BUT HD	8
26	H-6918-83205	SCREW - #8-32 X 5/8 SOC HD	2
27	H-6918-83210	SCREW - #8-32 X 1-1/4 SOC HD	6
28	H-6923-63232	SCREW - #6-32 X 2 RND HD	12
29	H-7321-4	WASHER - 1/4 SAE PLAIN	4
30	H-7321-#10	WASHER - #10 SAE PLAIN	6
31	H-7324-8	WASHER - 1/4 INT TOOTH	4
32	H-7327-#8	WASHER - #8 MEDIUM LOCK	6
33	H-7327-#10	WASHER - #10 MEDIUM LOCK	6

PL 5.3 Main Assembly 5600TCA (3/26)



No.	Part Number	Description	Qty.
1	5064	CUT STICK PULLER	1
2	41130	PLATE - SERIAL NUMBER	1
3	56028	KNIFE LIFTER ASM	1
4	56059	CHUTE COVER	3
5	56275	KNIFE HEIGHT SPACER	3
6	56821	FRONT COVER - BASE	1
7	56840	SIDE COVER - BASE	1
8	56857	LATCH BRACKET	3
9	56865	HOOD HANDLE	3
10	56866	DOOR HINGE	6
11	56876	DOOR WINDOW PANEL	3
12	45180-4	ACTUATOR KEY	3
13	56840-1	SIDE COVER - VENTED	1
14	56848-1	DOOR WELDMENT	2
15	56848-2	DOOR WELDMENT	1
16	56853-1	DOOR CATCH - 44N (10LBS)	3
17	A-11252	MAGNET 2" SQUARE	2
18	E-1152-98	STANDOFF	12
19	H-6416-832-6	WELDNUT - #8-32 TWIN PILOT	3
20	H-6423-#10	NUT - #10-24 HEX KEP	36
21	H-6888-83203	SCREW - #8-32 X 3/8 SECURITY	6
22	H-6910-63204	SCREW - #6-32 X 1/2 BUT HD	6
23	H-6910-83204	SCREW - #8-32 X 1/2 BUT HD	6
24	H-6910-102403	SCREW - #10-24 X 3/8 BUT HD	24
25	H-6910-102404	SCREW - #10-24 X 1/2 BUT HD	66
26	H-7324-#6	WASHER - #6 INT TOOTH	6
27	H-7324-#8	WASHER - #8 INT TOOTH	12
28	H-7324-#10	WASHER - #10 INT TOOTH	30
29	S-1781-12	LABEL - SHOCK HAZARD	1
30	S-1781-39	LABEL - MOVING PARTS HAZARD	3
31	S-1781-50	LABEL - ELECTRIC SHOCK	2
32	S-1781-206	LABEL - KNIFE SPACERS	1
33	S-1781-223	LABEL - POWER CONNECTION	1
34	W-164	WRENCH - 5/16" HEX T-HANDLE	1

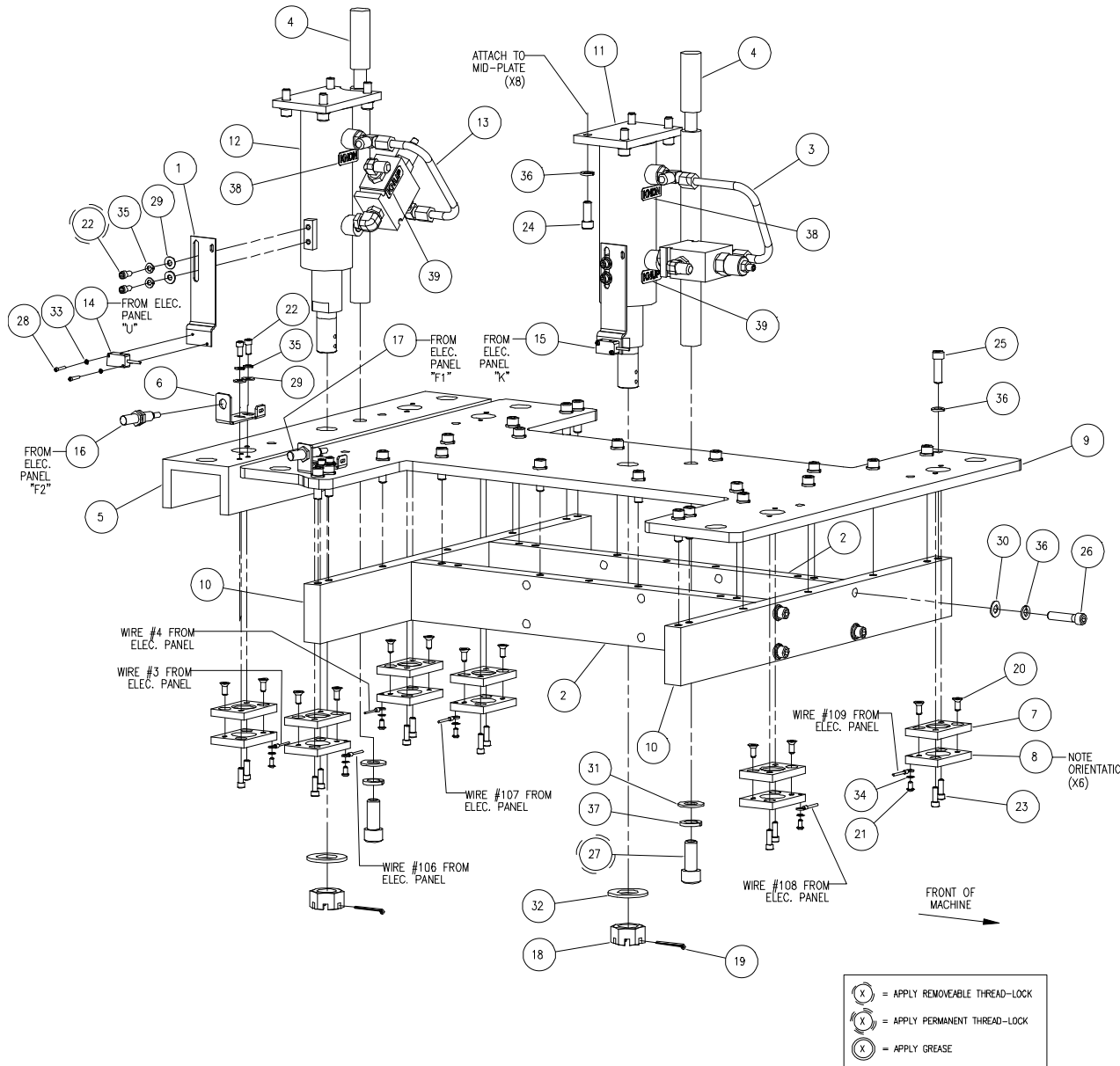
PL 5.4 Main Assembly 5600TCA (4/26)



No.	Part Number	Description	Qty.
1	35114	ROLLER - GUIDE	7
2	56276	SUPPORT - HARD STOP MECH.	1
3	56277	SUPPORT - HARD STOP MECH.	1
4	56279	TIMING BELT - 548XL037	1
5	56280	TIMING BELT - 1280XL037	1
6	56281	KNIFE HEIGHT ADJ. ROD	2
7	56283	BELT COVER	1
8	56284	BELT COVER	1
9	56285	BELT COVER	1
10	56286	BELT COVER	1
11	56287	BELT COVER	1
12	56288	BELT COVER	1
13	56289	GUIDE BRACKET	1
14	59251	HARD STOP ADJ. ROD	6
15	59255	TIMING PULLEY - 24 GROOVE	6
16	59257	BELT TENSIONER BRACKET	2
17	39021-1	BEARING - SELF-ALIGNING, 1/2	6
18	39021-2	BEARING - SELF-ALIGNING, 3/8	4
19	56066-4	TIMING PULLEY - 15 GROOVE XL	2
20	E-1152-126	STANDOFF	8
21	H-5254-514	SCREW - 5/16 X 1-3/4 SHSS	5
22	H-5254-516	SCREW - 5/16 X 2 SHSS	2
23	H-6423-5	NUT - 5/16-18 HEX KEP	8
24	H-6424-6	NUT - 3/8-16 HEX JAM	4
25	H-6910-102403	SCREW - #10-24 X 3/8 BUT HD	21
26	H-6918-405	SCREW - 1/4-20 X 5/8 SOC HD	8
27	H-6918-508	SCREW - 5/16-18 X 1 SOC HD	8
28	H-7321-4	WASHER - 1/4 SAE PLAIN	13
29	H-7321-5	WASHER - 5/16 SAE PLAIN	16
30	H-7327-8	WASHER - 1/4 MEDIUM LOCK	8
31	S-1818-4	THREADED COLLAR	4
32	S-1818-8	THREADED COLLAR	6

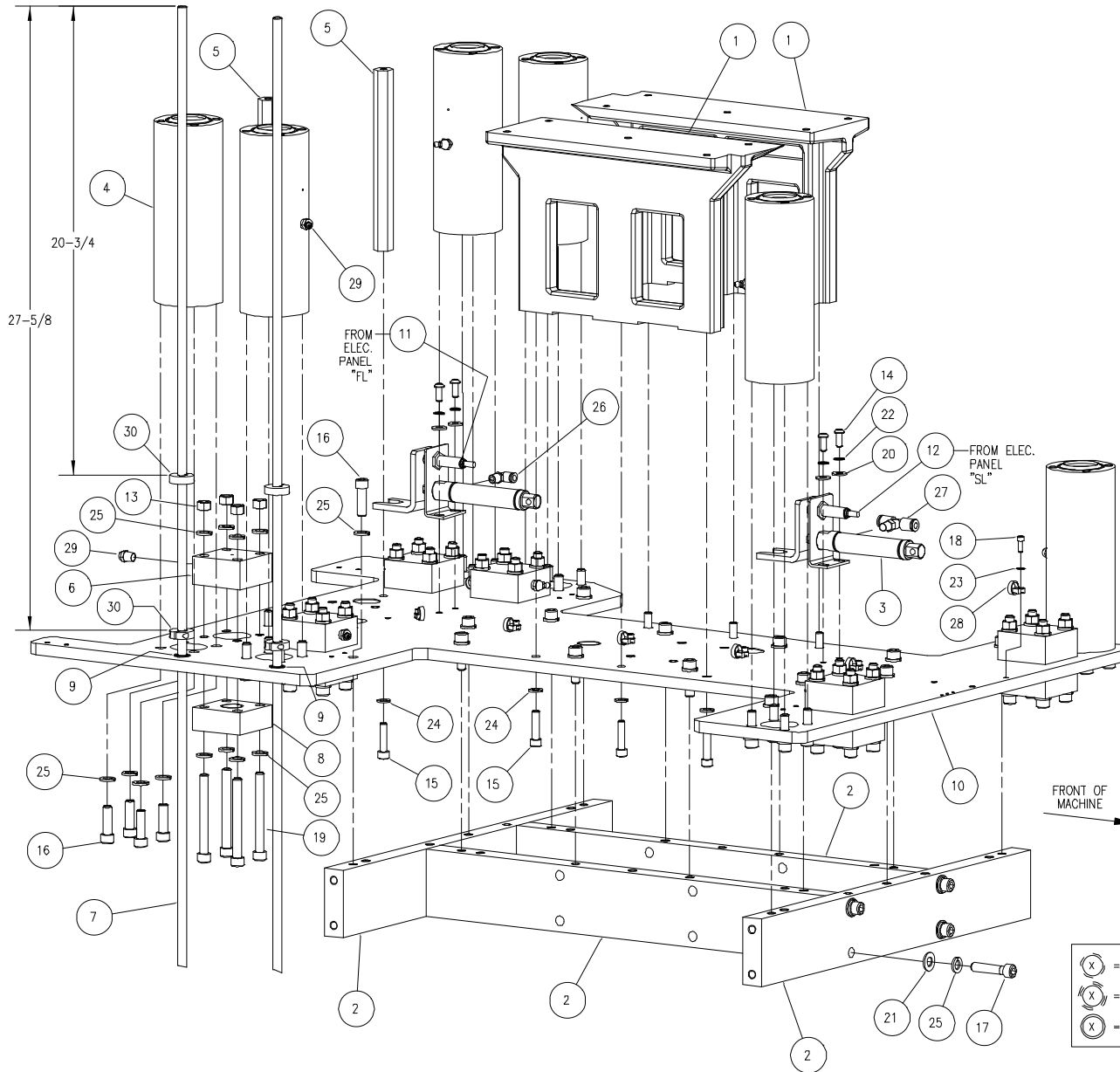
- (X) = APPLY REMOVABLE THREAD-LOCK
- (X) = APPLY PERMANENT THREAD-LOCK
- (X) = APPLY GREASE

PL 5.5 Main Assembly 5600TCA (5/26)



No.	Part Number	Description	Qty.
1	44077	BRACKET – HYD.	2
2	56137	REINFORCEMENT BAR	2
3	56161	COUNTER BAL. ASM	1
4	56174	LATCH ROD	2
5	56204	LOWER PULL-DOWN BAR	1
6	56282	PROX BRACKET - SLOW DOWN	2
7	59260	ISOLATOR	6
8	59261	STOP PLATE	6
9	56102-1	LOWER PULL-DOWN PLATE	1
10	56137-1	REINFORCEMENT BAR	2
11	56235-1	HYD. CYLINDER - SIDE KNIVES	1
12	56235-2	HYD. CYLINDER - FACE KNIFE	1
13	56252-1	COUNTER BALANCE VALVE	1
14	EE-3532-4	PROX. - FACE UP	REF
15	EE-3532-5	PROX. - SIDE UP	REF
16	EE-3533-7	PROX. - FACE KN SLOW DWN	REF
17	EE-3533-8	PROX. - SIDE KN SLOW DWN	REF
18	H-6410-16	NUT - 1"-14 SLOTTED HEX	2
19	H-6631-412	COTTER PIN - 1/8" X 1-1/2"	2
20	H-6909-405	SCREW - 1/4-20 X 5/8" FLT HD	12
21	H-6910-102403	SCREW - #10-24 X 3/8 BUT HD	6
22	H-6918-404	SCREW - 1/4-20 X 1/2 SOC HD	8
23	H-6918-406	SCREW - 1/4-20 X 3/4 SOC HD	12
24	H-6918-608	SCREW - 3/8-16 X 1 SOC HD	8
25	H-6918-610	SCREW - 3/8-16 X 1-1/4 SOC HD	22
26	H-6918-614	SCREW - 3/8-16 X 1-3/4 SOC HD	8
27	H-6918-1012	SCREW - 5/8-11 X 1-1/2 SOC HD	2
28	H-6918-44006	SCREW - #4-40 X 3/4 SOC HD	4
29	H-7321-4	WASHER - 1/4 SAE PLAIN	8
30	H-7321-6	WASHER - 3/8 SAE PLAIN	8
31	H-7321-10	WASHER - 5/8 SAE PLAIN	2
32	H-7321-16	WASHER - 1" SAE PLAIN	2
33	H-7324-#4	WASHER - #4 INT TOOTH	4
34	H-7324-#10	WASHER - #10 INT TOOTH	6
35	H-7327-8	WASHER - 1/4 MEDIUM LOCK	8
36	H-7327-12	WASHER - 3/8 MEDIUM LOCK	38
37	H-7327-20	WASHER - 5/8 MEDIUM LOCK	2
38	S-1781-61	LABEL - KNND	2
39	S-1781-62	LABEL - KNUP	2

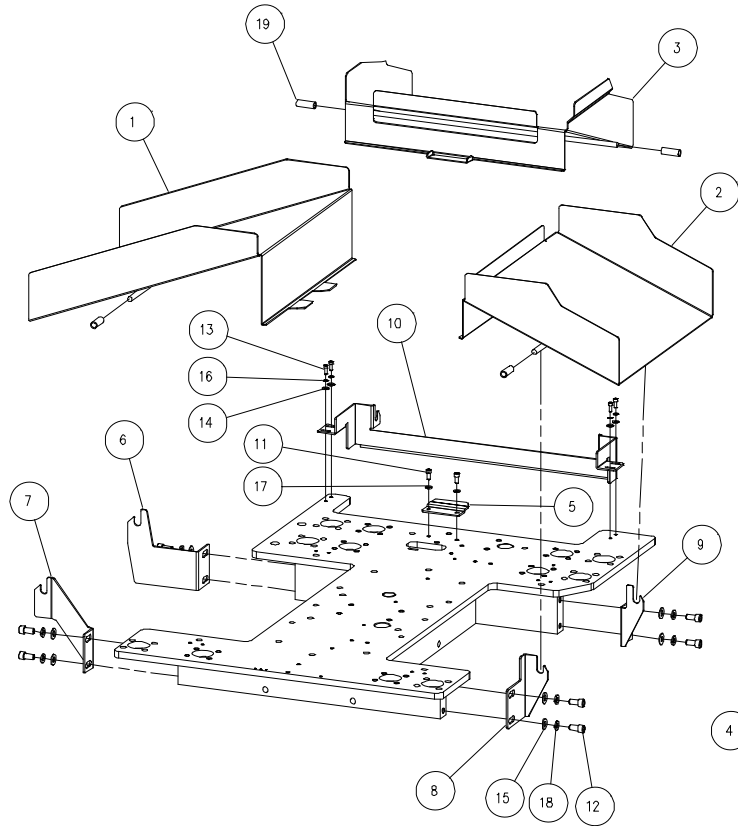
PL 5.6 Main Assembly 56000TCA (6/26)



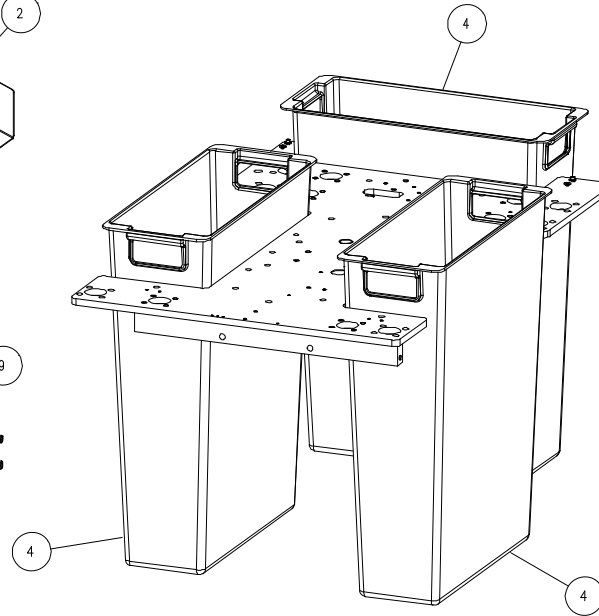
No.	Part Number	Description	Qty.
1	56121	TABLE SUPPORT	2
2	56137	REINFORCEMENT BAR	4
3	56170	LATCH ASSEMBLY	2
4	56227	BEARING ASSEMBLY	6
5	56263	JACK SHAFT	2
6	56278	CAP BLOCK	6
7	56281	KNIFE HEIGHT ADJ. ROD	2
8	59253	BLOCK - ACME THREADED	6
9	39021-2	BEARING - SELF-ALIGNING, 3/8	2
10	56101-1	MID PLATE	1
11	EE-3533-9	PROX. - FACE KNIFE LATCH	REF
12	EE-3533-10	PROX. - SIDE KNIFE LATCH	REF
13	H-6417-6	NUT - 3/8-16 HEX	24
14	H-6910-405	SCREW - 1/4-20 X 5/8 BUT HD	4
15	H-6918-510	SCREW - 5/16-18 X 1-1/4 SOC HD	8
16	H-6918-610	SCREW - 3/8-16 X 1-1/4 SOC HD	38
17	H-6918-614	SCREW - 3/8-16 X 1-3/4 SOC HD	8
18	H-6918-102404	SCREW - #10-24 X 1/2 SOC HD	7
19	H-6994-628	SCREW - 3/8-16 X 3-1/2 SOC HD	24
20	H-7321-4	WASHER - 1/4 SAE PLAIN	4
21	H-7321-6	WASHER - 3/8 SAE PLAIN	9
22	H-7324-8	WASHER - 1/4 INT TOOTH	4
23	H-7324-#10	WASHER - #10 INT TOOTH	7
24	H-7327-10	WASHER - 5/16 MEDIUM LOCK	8
25	H-7327-12	WASHER - 3/8 MEDIUM LOCK	94
26	P-503-401	ELBOW-1/4 TUBE X 1/8 NPT	1
27	P-505-401	TEE - 1/4 TUBE DIA X 1/8 NPT	1
28	E-2186-6	WIRE HARNESS CLAMP	7
29	S-1725-4	GREASE FITTING - 1/8 NPT	12
30	S-1818-4	THREADED COLLAR	4

(X) = APPLY REMOVEABLE THREAD-LOCK
 (X) = APPLY PERMANENT THREAD-LOCK
 (X) = APPLY GREASE

PL 5.7 Main Assembly 5600TCA (7/26)



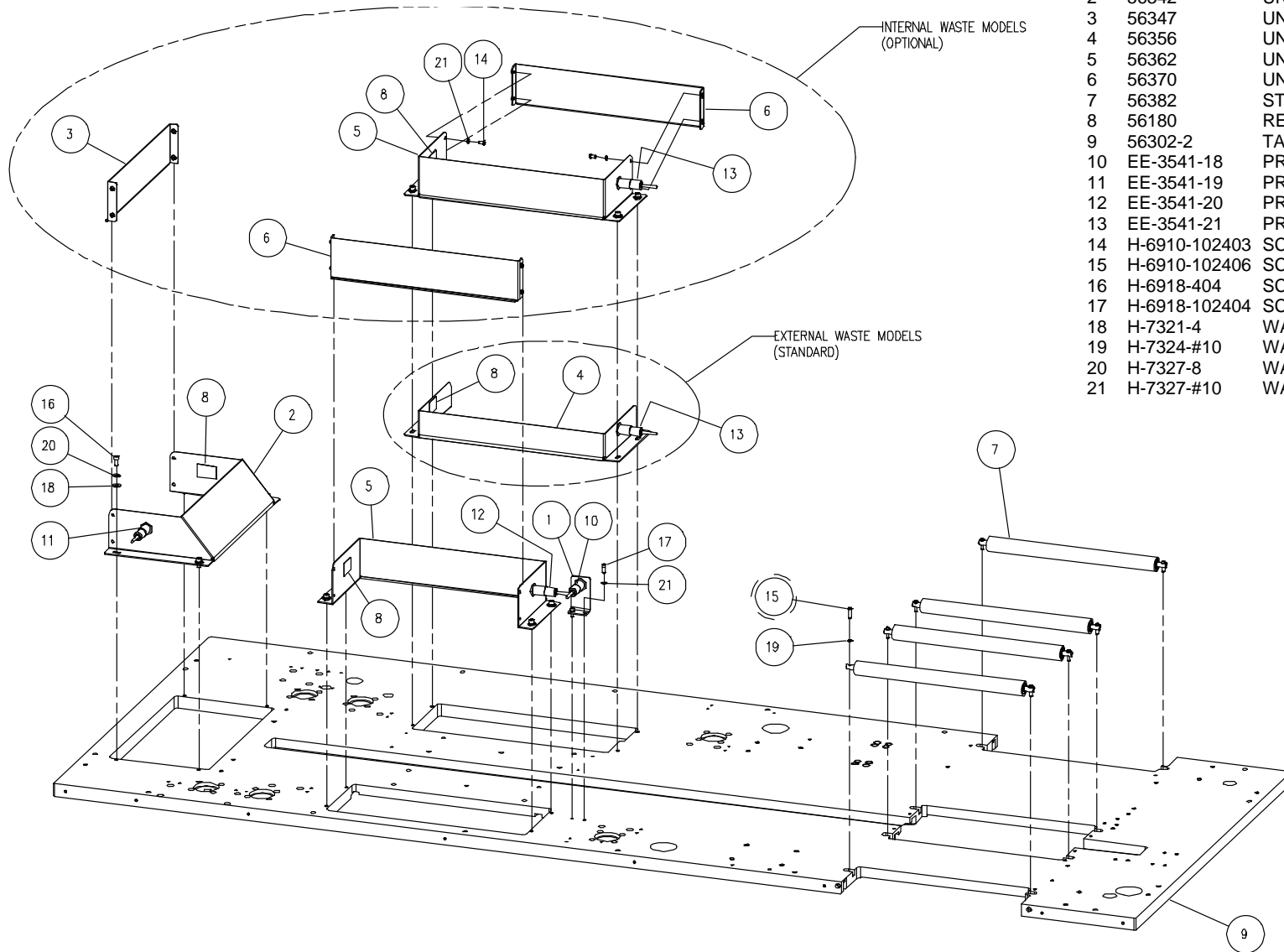
EXTERNAL WASTE MODELS
(STANDARD)



INTERNAL WASTE MODELS
(OPTIONAL)

No.	Part Number	Description	Qty.
1	56091	WASTE CHUTE - LH	1
2	56092	WASTE CHUTE - RH	1
3	56093	WASTE CHUTE - REAR	1
4	56143	WASTE BIN	3
5	56049-1	HOLDING BRACKET	1
6	56053-2	CHUTE BRACKET	1
7	56054-2	CHUTE BRACKET	1
8	56055-2	CHUTE BRACKET	1
9	56056-2	CHUTE BRACKET	1
10	56058-2	CHUTE BRACKET	1
11	H-6918-404	SCREW - 1/4-20 X 1/2 SOC HD	2
12	H-6918-606	SCREW - 3/8-16 X 3/4 SOC HD	8
13	H-6918-102404	SCREW - #10-24 X 1/2 SOC HD	4
14	H-7321-#10	WASHER - #10 SAE PLAIN	4
15	H-7321-6	WASHER - 3/8 SAE PLAIN	8
16	H-7324-#10	WASHER - #10 INT TOOTH	4
17	H-7327-8	WASHER - 1/4 MEDIUM LOCK	2
18	H-7327-12	WASHER - 3/8 MEDIUM LOCK	8
19	P-303-5	1/2" P.U. TUBING - 1-3/8" LONG	6

PL 5.8 Main Assembly 56000TCA (8/26)



No.	Part Number	Description	Qty.
1	56144	BRACKET - BIN SENSOR	1
2	56342	UNDER-TABLE CHUTE - REAR	1
3	56347	UNDER-TABLE CHUTE ATTACH.	1
4	56356	UNDER-TABLE CHUTE - SHORT	1
5	56362	UNDER-TABLE CHUTE - SIDE	2
6	56370	UNDER-TABLE CHUTE ATTACH.	2
7	56382	STRAIGHT IDLER ASM	4
8	56180	REFL. TAPE - 1" W X 1-1/2" LONG	3
9	56302-2	TABLE	1
10	EE-3541-18	PROX. - GRIPPER POSITION	REF.
11	EE-3541-19	PROX. - WASTE BIN - FACE	REF.
12	EE-3541-20	PROX. - WASTE BIN - RH	REF.
13	EE-3541-21	PROX. - WASTE BIN - LH	REF.
14	H-6910-102403	SCREW - #10-24 X 3/8 BUT HD	12
15	H-6910-102406	SCREW - #10-24 X 3/4 BUT HD	8
16	H-6918-404	SCREW - 1/4-20 X 1/2 SOC HD	12
17	H-6918-102404	SCREW - #10-24 X 1/2 SOC HD	2
18	H-7321-4	WASHER - 1/4 SAE PLAIN	12
19	H-7324-#10	WASHER - #10 INT TOOTH	8
20	H-7327-8	WASHER - 1/4 MEDIUM LOCK	12
21	H-7327-#10	WASHER - #10 MEDIUM LOCK	14

- (X) = APPLY REMOVEABLE THREAD-LOCK
- (P) = APPLY PERMANENT THREAD-LOCK
- (G) = APPLY GREASE

PL 5.9 Main Assembly 56000TCA (9/26)

ATTACHES TO MACHINE BASE (X16)

SEE DETAIL 9-1

FILL EACH CYLINDER WITH MOLY-FILLED #2 EP GREASE. (APPROX. 39 PUMPS) CMC P/N: SU-30-103 (EXAMPLE: MOBILE XHP222)

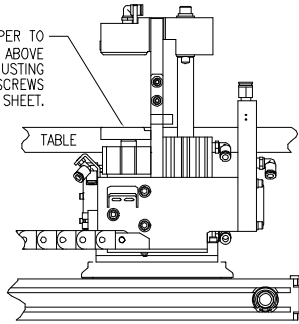
SEE DETAIL 9-2

SEE DETAIL 9-3

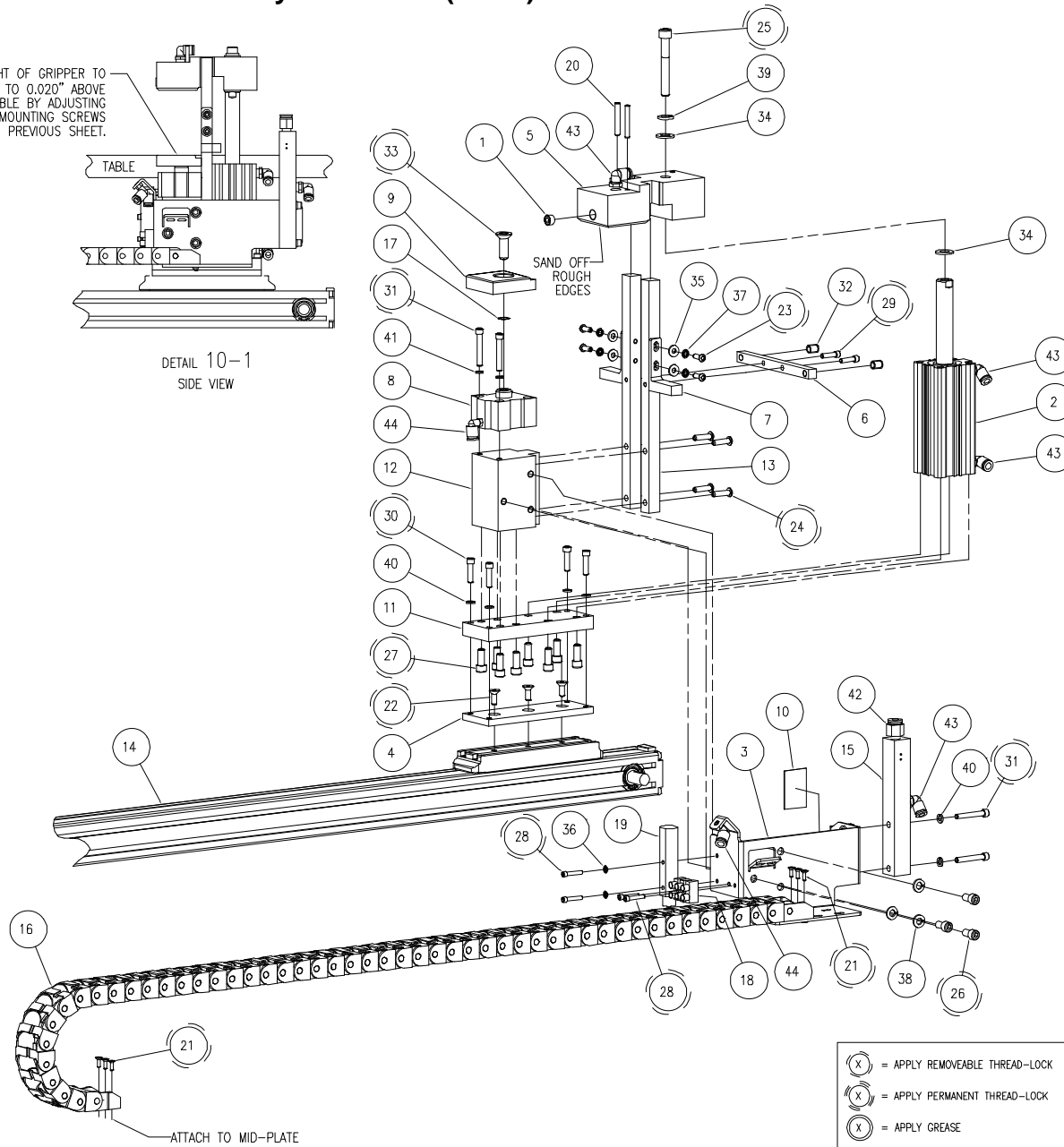
No.	Part Number	Description	Qty.
1	56132	RAIL BRACKET	2
2	56135	PULL-DOWN ROD	4
3	56201	PULL-DOWN ROD	2
4	56270	WIRE TIE BRACKET	1
5	56323	RAIL/MOTOR MOUNTING BKT	1
6	56388	TIMING PULLEY - 30 GROOVE XL	1
7	58524	PULLEY- XL 20 GROOVE	1
8	56302-2	TABLE	1
9	56345-2	LINEAR ACTUATOR	1
10	59048	TIMING BELT - 110XL037	1
11	E-1152-80	STANDOFF	1
12	EE-3510-1	MOTOR - LONG	1
13	H-6421-4MM	NUT - 4MM X 0.7 SQUARE	6
14	H-6423-4	NUT - 1/4-20 HEX KEP	1
15	H-6423-#10	NUT - #10-24 HEX KEP	4
16	H-6913-405	SCREW - 1/4-20 X 5/8 HEX HD	4
17	H-6913-406	SCREW - 1/4-20 X 3/4 HEX HD	2
18	H-6915-1616	SCREW - 1-14 X 2 SOC HD	6
19	H-6918-404	SCREW - 1/4-20 X 1/2 SOC HD	4
20	H-6918-506	SCREW - 5/16-18 X 3/4 SOC HD	10
21	H-6918-508	SCREW - 5/16-18 X 1 SOC HD	16
22	H-6918-610	SCREW - 3/8-16 X 1-1/4 SOC HD	24
23	H-6918-102405	SCREW - #10-24 X 5/8 SOC HD	4
24	H-6918-M410	SCREW - M4 X 10MM SOC HD	6
25	H-6918-M412	SCREW - M4 X 12MM SOC HD	2
26	H-6918-M480	SCREW - M4 X 80MM SOC HD	2
27	H-7321-4	WASHER - 1/4 SAE PLAIN	4
28	H-7321-#8	WASHER - #8 SAE PLAIN	10
29	H-7321-#10	WASHER - #10 SAE PLAIN	4
30	H-7327-8	WASHER - 1/4 MEDIUM LOCK	8
31	H-7327-10	WASHER - 5/16 MEDIUM LOCK	16
32	H-7327-#8	WASHER - #8 MEDIUM LOCK	10
33	H-7329-16	WASHER - 1" HIGH COLL. LOCK	6

PL 5.10 Main Assembly 56000TCA (10/26)




SET HEIGHT OF GRIPPER TO
0.000 TO 0.020" ABOVE
TABLE BY ADJUSTING
RAIL MOUNTING SCREWS
SHOWN ON PREVIOUS SHEET.



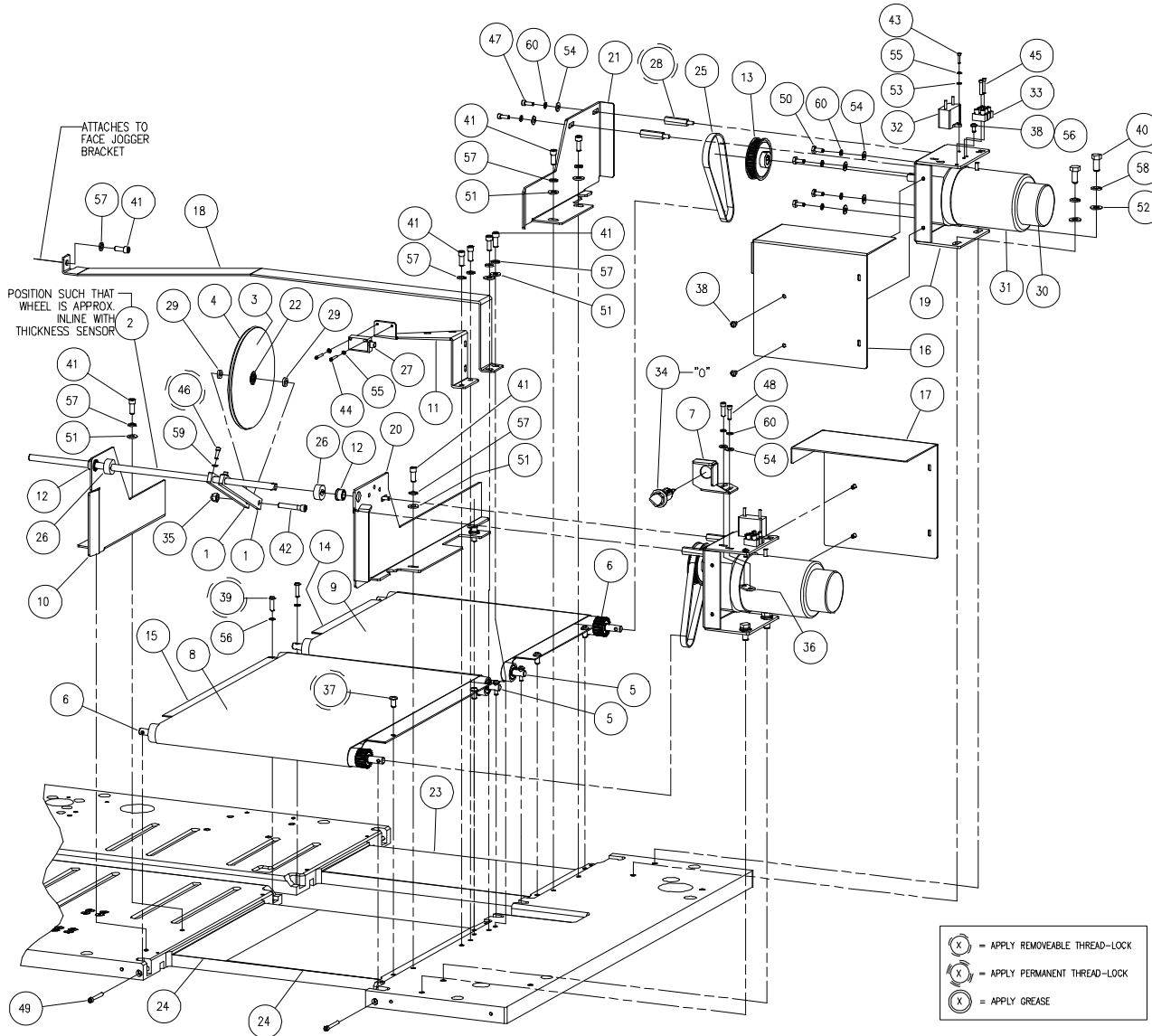
DETAIL 10-1
SIDE VIEW



No.	Part Number	Description	Qty.
1	56182	1/8 NPT PLUG WITH ORIFICE	1
2	56327	GRIPPER CYLINDER	1
3	56333	GRIPPER BODY BRACKET	1
4	56335	GRIPPER PLATE ADAPTER	1
5	56350	GRIPPER CLAMP	1
6	56367	GRIPPER WING SUPPORT BAR	1
7	56501	SQUARING FENCE	2
8	56557	AIR CYLINDER	1
9	56558	GRIPPER PLATE - LOWER	1
10	56180	REFL. TAPE - 1" W X 1-1/2" LONG	1
11	56334-1	GRIPPER PLATE	1
12	56336-2	GRIPPER BLOCK	1
13	56337-1	SQUARING BAR	2
14	56345-2	LINEAR ACTUATOR	1
15	56354-1	AIR JET BLOCK	1
16	56364-1	CABLE CARRIER	1
17	61065-313010	SHIM WASHER - 5/16	1
18	E-2626-3	TERMINAL STRIP (3P)	1
19	EE-2947-23	PROX. ASM. - BOOK IN GRIPPER	1
20	H-21S-187-1250	ROLL PIN - 3/16 X 1-1/4	2
21	H-6909-44003	SCREW - #4-40 X 3/8" FLT HD	6
22	H-6909-M514	SCREW - M5 X 14MM FLT HD	3
23	H-6910-83204	SCREW - #8-32 X 1/2 BUT HD	4
24	H-6910-102406	SCREW - #10-24 X 3/4 BUT HD	4
25	H-6915-518	SCREW - 5/16-24 X 2-1/4 SOC HD	1
26	H-6918-404	SCREW - 1/4-20 X 1/2 SOC HD	3
27	H-6918-405	SCREW - 1/4-20 X 5/8 SOC HD	8
28	H-6918-63206	SCREW - #6-32 X 3/4 SOC HD	4
29	H-6918-83205	SCREW - #8-32 X 5/8 SOC HD	2
30	H-6918-102406	SCREW - #10-24 X 3/4 SOC HD	4
31	H-6918-102410	SCREW - #10-24 X 1-1/4 SOC HD	4
32	H-6951-406	SCREW - 1/4-20 X 3/8 NYLOK SET	2
33	H-6991-508	SCREW - 5/16-24 X 1" FLT HD	1
34	H-7321-5	WASHER - 5/16 SAE PLAIN	2
35	H-7321-#8	WASHER - #8 SAE PLAIN	4
36	H-7324-#6	WASHER - #6 INT TOOTH	2
37	H-7324-#8	WASHER - #8 INT TOOTH	4
38	H-7327-8	WASHER - 1/4 MEDIUM LOCK	3
39	H-7327-10	WASHER - 5/16 MEDIUM LOCK	1
40	H-7327-#10	WASHER - #10 MEDIUM LOCK	6
41	H-7329-#10	WASHER - #10 HIGH COLL. LOCK	2
42	P-500-401	STR FITTING-1/4 TUBE X 1/8 NPT	1
43	P-503-401	ELBOW-1/4 TUBE X 1/8 NPT	4
44	P-503-41032	ELBOW-1/4 TUBE X #10-32	2

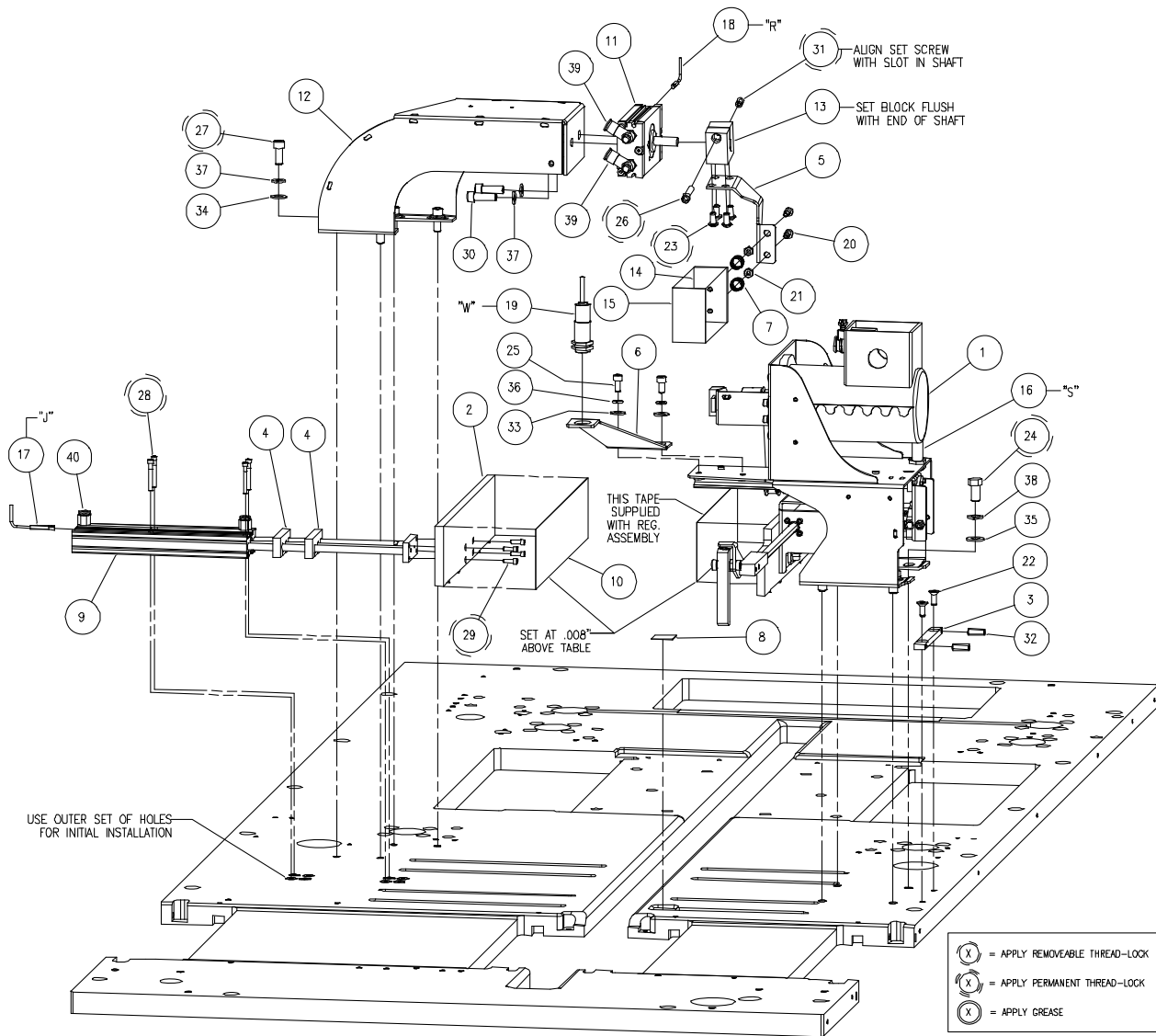
 = APPLY REMOVABLE THREAD-LOCK
 = APPLY PERMANENT THREAD-LOCK
 = APPLY GREASE

PL 5.11 Main Assembly 5600TCA (11/26)



No.	Part Number	Description	Qty.
1	56153	SWING ARM	2
2	56154	SHAFT	1
3	56155	WHEEL	1
4	56156	ROUND BELT - POLY, ENDLESS	1
5	56383	CROWNED IDLER ASM	2
6	56384	DRIVE ROLLER ASM	2
7	56385	BRACKET - BOOK SENSOR	1
8	56389	CONVEYOR BELT - LH	1
9	56390	CONVEYOR BELT - RH	1
10	56391	BOOK GUIDE - FACE	1
11	59183	SENSOR MOUNTING BRACKET	1
12	39021-2	BEARING - SELF-ALIGNING, 3/8	2
13	56346-1	TIMING PULLEY - 36 GROOVE	2
14	56361-1	BELT SUPPORT - RH	1
15	56363-1	BELT SUPPORT - LH	1
16	56365-1	MOTOR COVER - RH	1
17	56366-1	MOTOR COVER - LH	1
18	56369-1	BOOK COVER GUIDE	1
19	56375-1	MOTOR BRACKET	2
20	56394-1	BOOK GUIDE - LH	1
21	56395-1	GUIDE BRACKET - RH	1
22	56552-2	BALL BEARING	1
23	56559	2.75" WIDE P.E. TAPE X 13.5" L.	1
24	56559	2.75" WIDE P.E. TAPE X 16" L.	2
25	A-11065	TIMING BELT - 140XL037	2
26	A-10081-1	COLLAR - CLAMP	2
27	E-3522	THICKNESS SENSOR	1
28	E-1152-89	STANDOFF	4
29	E-1152-105	STANDOFF	2
30	E-1165-7	BRAKE	2
31	E-1600-163	GEAR MOTOR	2
32	E-2181-4	CAPACITOR	2
33	E-2626-3	TERMINAL STRIP (3P)	2
34	EE-3541-16	SWITCH - RETROREFLECTIVE	REF
35	H-5247-4	NUT - 1/4-20 FLEX LOCK	1
36	H-6416-102406	WELDNUT - #10-24 TWIN PILOT	1
37	H-6910-404	SCREW - 1/4-20 X 1/2 BUT HD	4
38	H-6910-102403	SCREW - #10-24 X 3/8 BUT HD	6
39	H-6910-102406	SCREW - #10-24 X 3/4 BUT HD	4
40	H-6913-506	SCREW - 5/16-18 X 3/4 HEX HD	4
41	H-6918-405	SCREW - 1/4-20 X 5/8 SOC HD	11
42	H-6918-412	SCREW - 1/4-20 X 1-1/2 SOC HD	1
43	H-6918-44004	SCREW - #4-40 X 1/2 SOC HD	2
44	H-6918-44006	SCREW - #4-40 X 3/4 SOC HD	2
45	H-6918-63206	SCREW - #6-32 X 3/4 SOC HD	4
46	H-6918-83204	SCREW - #8-32 X 1/2 SOC HD	2
47	H-6918-102404	SCREW - #10-24 X 1/2 SOC HD	4
48	H-6918-102405	SCREW - #10-24 X 5/8 SOC HD	2
49	H-6918-102412	SCREW - #10-24 X 1-1/2 SOC HD	4
50	H-6990-103204	SCREW - #10-32 X 1/2 HEX HD	8
51	H-7321-4	WASHER - 1/4 SAE PLAIN	8
52	H-7321-5	WASHER - 5/16 SAE PLAIN	4
53	H-7321-#4	WASHER - #4 SAE PLAIN	2
54	H-7321-#10	WASHER - #10 SAE PLAIN	14
55	H-7324-#4	WASHER - #4 INT TOOTH	4
56	H-7324-#10	WASHER - #10 INT TOOTH	6
57	H-7327-8	WASHER - 1/4 MEDIUM LOCK	11
58	H-7327-10	WASHER - 5/16 MEDIUM LOCK	4
59	H-7327-#8	WASHER - #8 MEDIUM LOCK	2
60	H-7327-#10	WASHER - #10 MEDIUM LOCK	14

PL 5.12 Main Assembly 56000TCA (12/26)

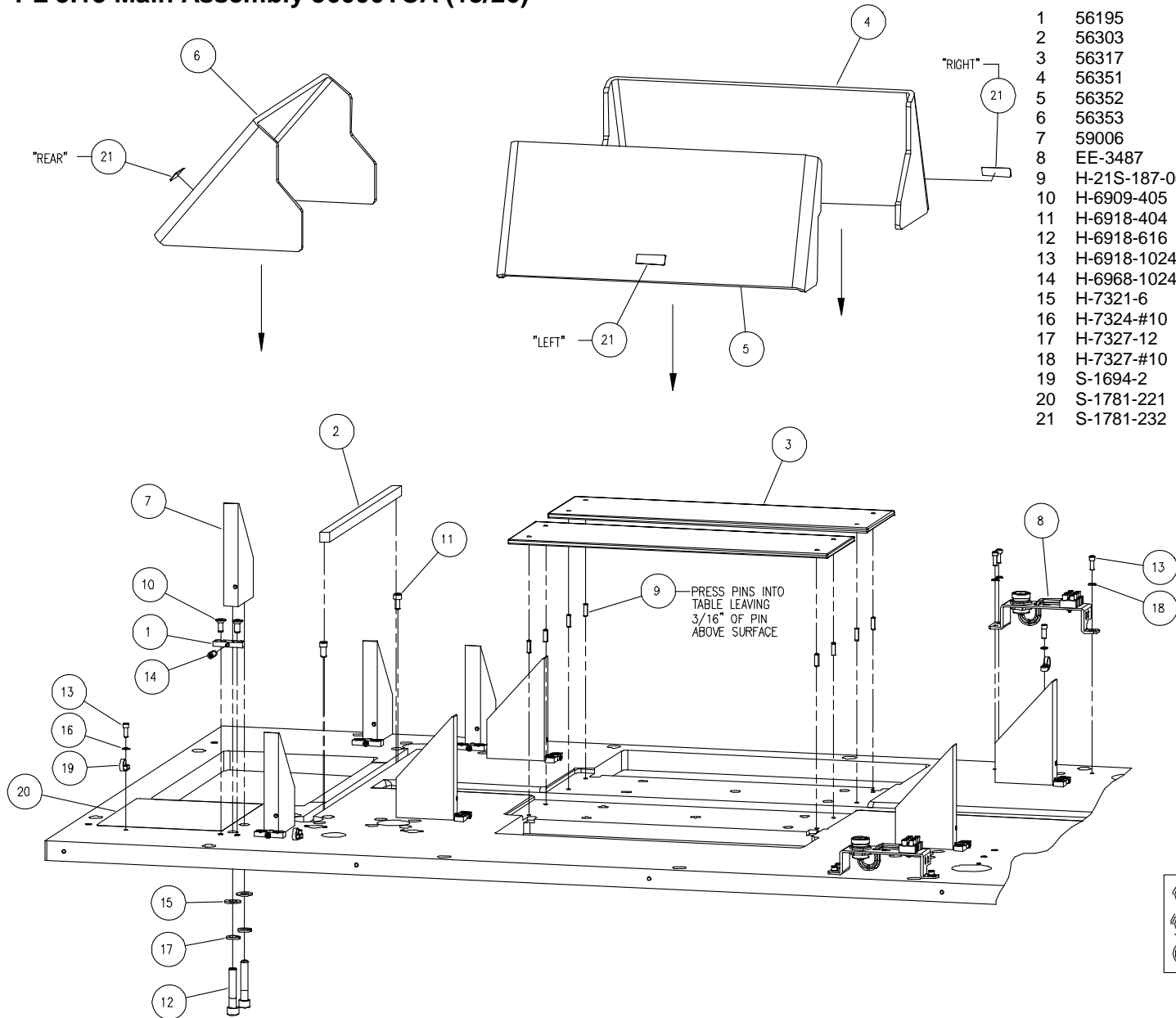





No.	Part Number	Description	Qty.
1	56316	REGISTRATION ASM - CMT-330LS	1
2	56332	JOGGER PLATE	1
3	56368	REG. SQUARING BLOCK	1
4	56566	RUBBER BUMPER	2
5	56956	BRACKET - FACE JOG	1
6	59182	BOOK WIDTH SENSOR BRACKET	1
7	35049-1	SPRING	2
8	56180	REFL. TAPE - 1" W X 1" LONG	1
9	56357-1	JOGGER CYLINDER	1
10	56569	2.75" WIDE P.E. TAPE X 13.5" L.	1
11	56951-2	ROTARY AIR CYLINDER	1
12	56953-1	ROTARY CYLINDER BRACKET	1
13	56955-1	MOUNTING BLOCK	1
14	56957-1	FACE JOGGER PLATE	1
15	56959-1	NYLON LOOP PAD	1
16	EE-3533-12	PROX. ASM. - REG. PRESET	1
17	EE-3535-1	MAG. SWITCH - SIDE JOG	REF
18	EE-3535-2	MAG. SWITCH - SIDE JOG	REF
19	EE-3541-17	PROX. - BOOK WIDTH - (W)	REF
20	H-5254-403	SCREW - 1/4 X 3/8 SHSS	2
21	H-6417-#10	NUT - #10-24 HEX	2
22	H-6909-405	SCREW - 1/4-20 X 5/8" FLT HD	2
23	H-6910-404	SCREW - 1/4-20 X 1/2 BUT HD	4
24	H-6913-606	SCREW - 3/8-16 X 3/4 HEX HD	4
25	H-6918-404	SCREW - 1/4-20 X 1/2 SOC HD	2
26	H-6918-410	SCREW - 1/4-20 X 1-1/4 SOC HD	1
27	H-6918-506	SCREW - 5/16-18 X 3/4 SOC HD	4
28	H-6918-83210	SCREW - #8-32 X 1-1/4 SOC HD	4
29	H-6918-M412	SCREW - M4 X 12MM SOC HD	4
30	H-6918-M825	SCREW - M8 X 25MM SOC HD	2
31	H-6938-83208	SCREW - #8-32 X 1/2 SOC SET	1
32	H-6968-102412	SCREW - #10-24 X 3/4 NYLOK SET	2
33	H-7321-4	WASHER - 1/4 SAE PLAIN	2
34	H-7321-5	WASHER - 5/16 SAE PLAIN	4
35	H-7321-6	WASHER - 3/8 SAE PLAIN	4
36	H-7327-8	WASHER - 1/4 MEDIUM LOCK	2
37	H-7327-10	WASHER - 5/16 MEDIUM LOCK	6
38	H-7327-12	WASHER - 3/8 MEDIUM LOCK	4
39	P-304	FL CTRL ELBOW-1/4 T X 1/8 NPT	2
40	P-500-41032	STR FITTING-1/4 TUBE X 10-32	2

= APPLY REMOVABLE THREAD-LOCK
 = APPLY PERMANENT THREAD-LOCK
 = APPLY GREASE

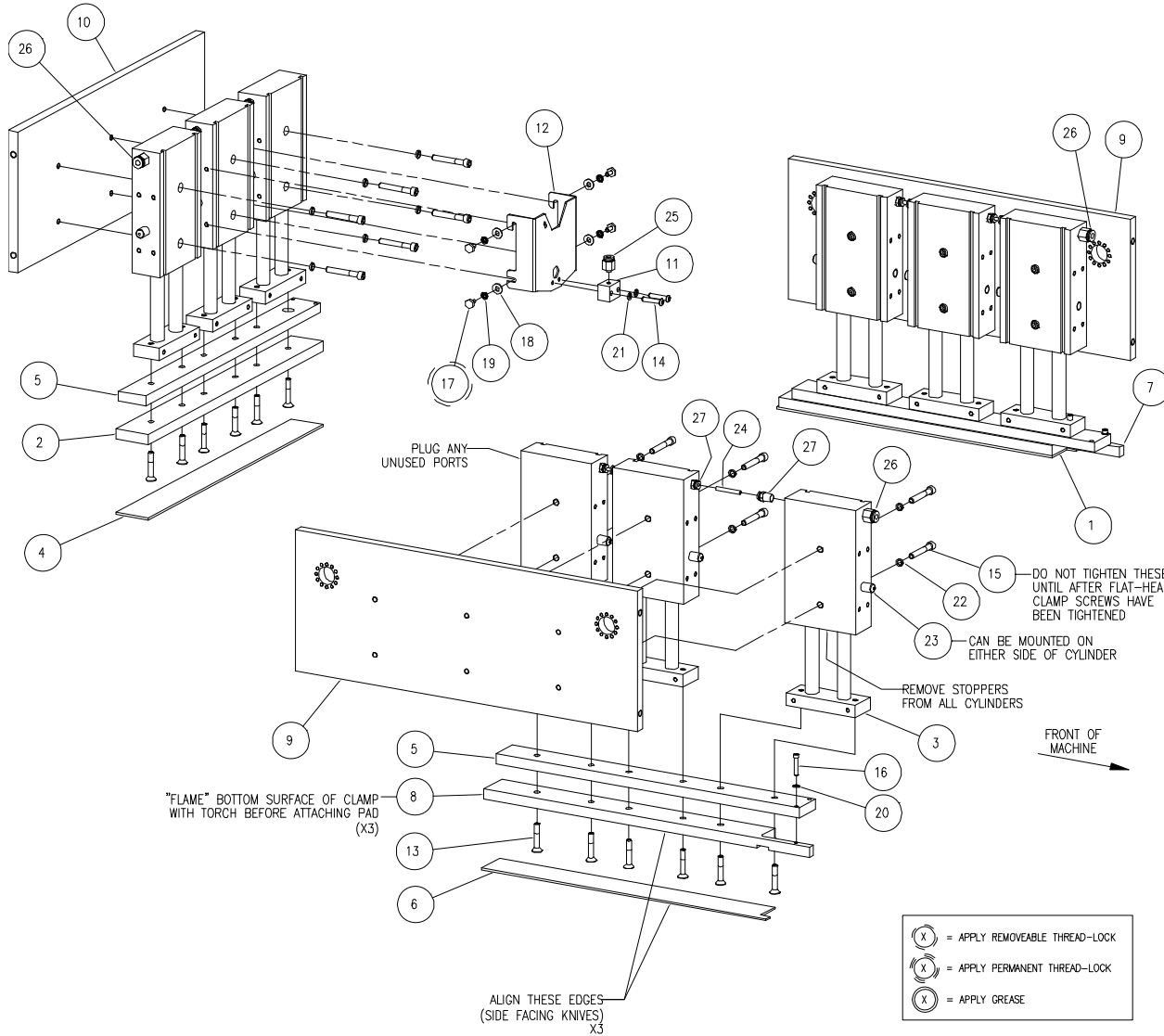
PL 5.13 Main Assembly 56000TCA (13/26)

No.	Part Number	Description	Qty.
1	56195	STOP BLOCK	8
2	56303	CUT STICK	1
3	56317	CUT PLATE	2
4	56351	UPPER CHUTE - RH	1
5	56352	UPPER CHUTE - LH	1
6	56353	UPPER CHUTE - REAR	1
7	59006	RAMP	8
8	EE-3487	BRACKET - SWITCH CONN.	2
9	H-21S-187-0625	ROLL PIN - 3/16 X 5/8	8
10	H-6909-405	SCREW - 1/4-20 X 5/8" FLT HD	16
11	H-6918-404	SCREW - 1/4-20 X 1/2 SOC HD	2
12	H-6918-616	SCREW - 3/8-16 X 2 SOC HD	16
13	H-6918-102404	SCREW - #10-24 X 1/2 SOC HD	9
14	H-6968-102412	SCREW - #10-24 X 3/4 NYLOK SET	8
15	H-7321-6	WASHER - 3/8 SAE PLAIN	16
16	H-7324-#10	WASHER - #10 INT TOOTH	3
17	H-7327-12	WASHER - 3/8 MEDIUM LOCK	16
18	H-7327-#10	WASHER - #10 MEDIUM LOCK	6
19	S-1694-2	TYRAP - #10	3
20	S-1781-221	LABEL - KNIFE CHANGE	1
21	S-1781-232	LABELS - SET OF 3: R, L, REAR	1



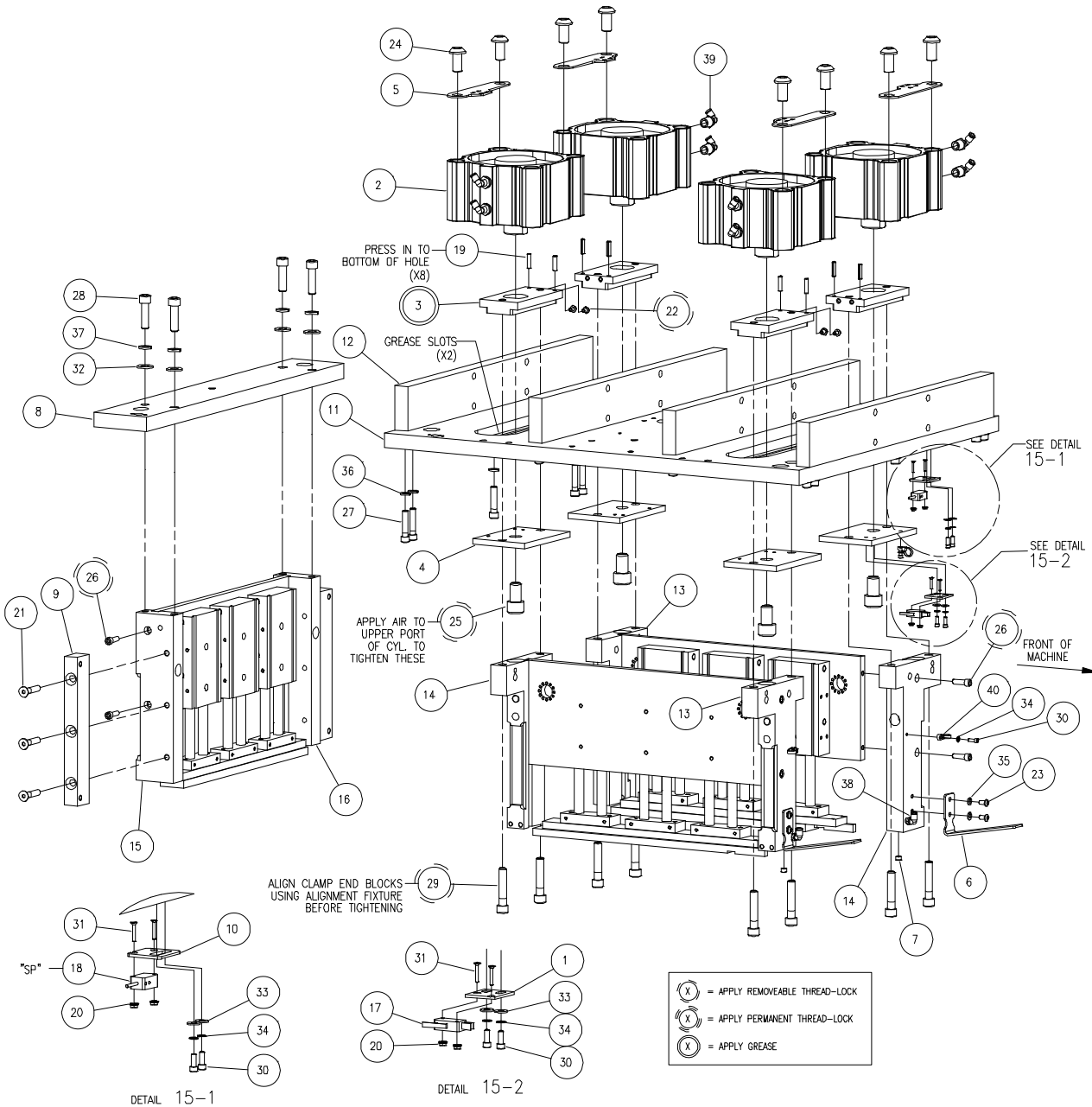
 = APPLY REMOVEABLE THREAD-LOCK
 = APPLY PERMANENT THREAD-LOCK
 = APPLY GREASE

PL 5.14 Main Assembly 56000TCA (14/26)



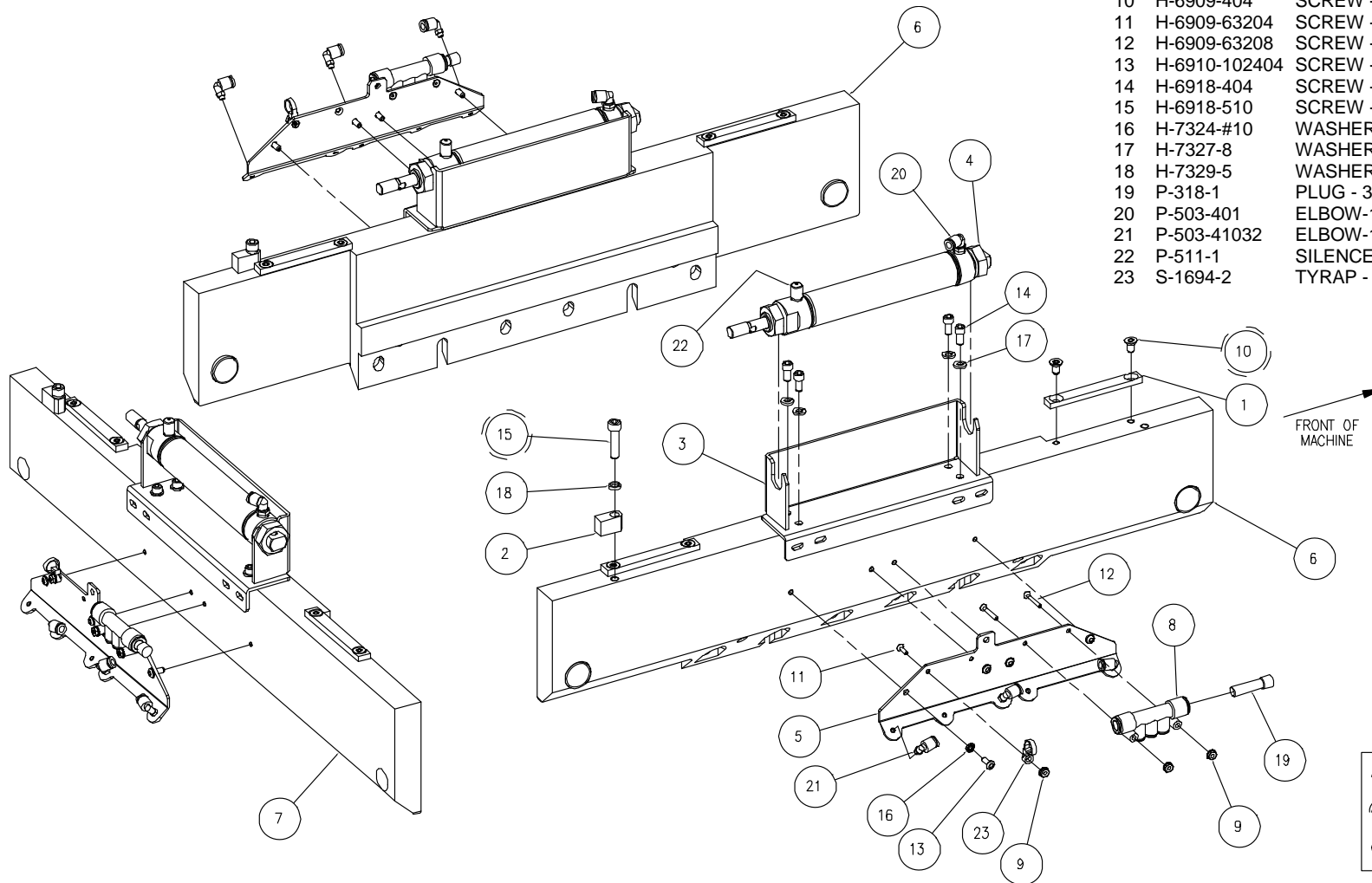
No.	Part Number	Description	Qty.
1	56184	CLAMP PAD - RH	1
2	56212	CLAMP	1
3	56213	DUAL ROD AIR CYLINDER	9
4	56228	CLAMP PAD - FACE KNIFE	1
5	56238	CLAMP BAR	3
6	56184-1	CLAMP PAD - LH	1
7	56197-1	CLAMP - RH	1
8	56198-1	CLAMP - LH	1
9	56207-1	CEN. CLAMP PLATE - SIDES	2
10	56207-2	CEN. CLAMP PLATE - FACE	1
11	56249-1	AIR BLAST BLOCK	1
12	56268-1	AIR BLAST BRACKET	1
13	H-6909-M635	SCREW - M6 X 35MM FLT HD	17
14	H-6910-102408	SCREW - #10-24 X 1 BUT HD	2
15	H-6918-414	SCREW - 1/4-20 X 1-3/4 SOC HD	18
16	H-6918-83207	SCREW - #8-32 X 7/8 SOC HD	2
17	H-6990-103203	SCREW - #10-32 X 3/8 HEX HD	4
18	H-7321-#10	WASHER - #10 SAE PLAIN	4
19	H-7324-#10	WASHER - #10 INT TOOTH	4
20	H-7327-#8	WASHER - #8 MEDIUM LOCK	2
21	H-7327-#10	WASHER - #10 MEDIUM LOCK	2
22	H-7329-4	WASHER - 1/4 HIGH COLL. LOCK	18
23	P-506	SILENCER (METRIC THD)	9
24	P-303-3	4MM O.D. P.E. TUBING X 1.312"	6
25	P-500-41032	STR FITTING-1/4 TUBE X 10-32	1
26	P-501-401	STR METRIC-1/4 TUBE X 1/8 PT	3
27	P-502-401	STR MINI - 4MM TUBE X 1/8 PT	12

PL 5.15 Main Assembly 5600TCA (15/26)



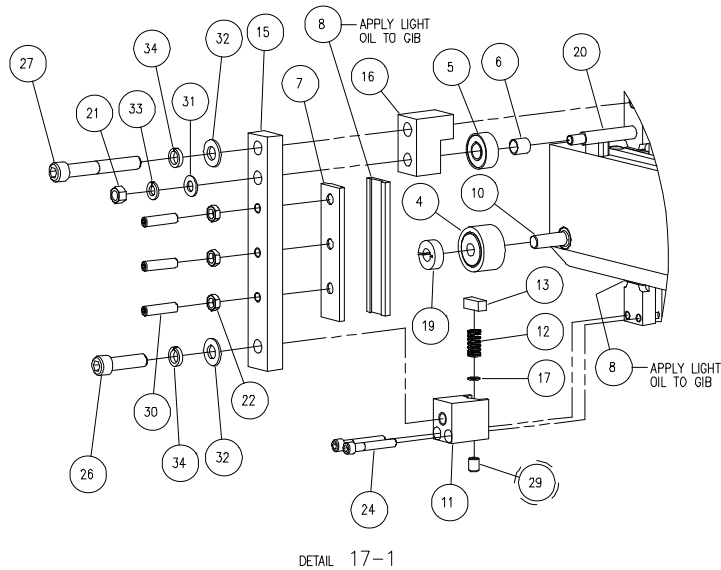
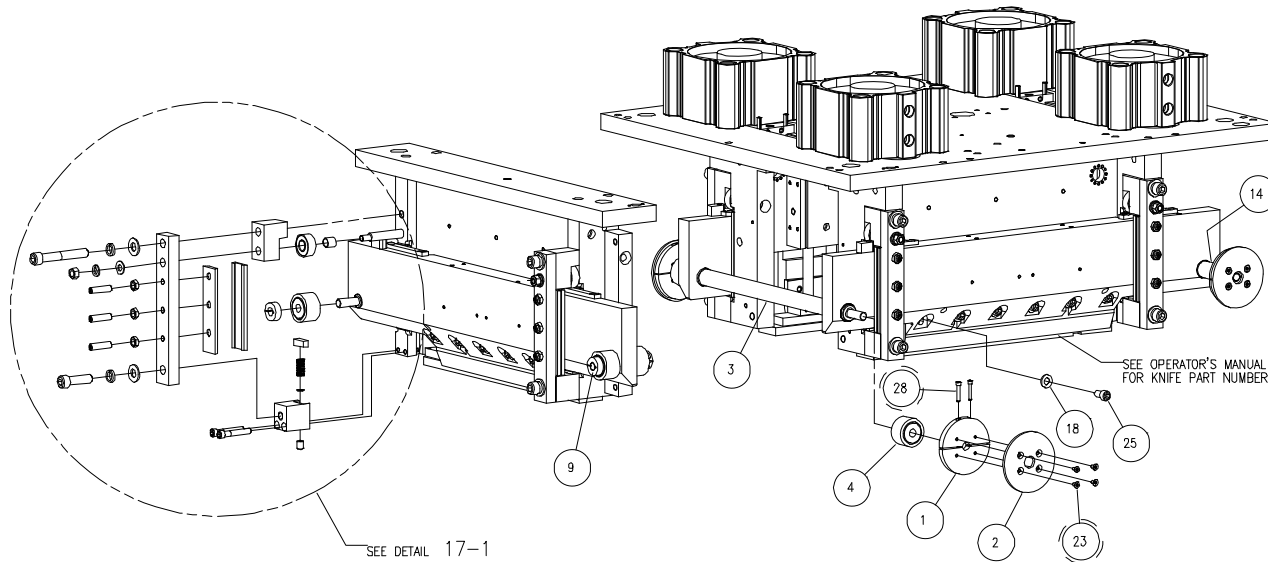
No.	Part Number	Description	Qty.
1	41034	BRACKET - PROXIMITY SWITCH	1
2	56109	AIR CYLINDER	4
3	56111	SLIDER BLOCK	4
4	56113	PLATE - AIR CLAMP	4
5	56130	AIR HOSE TIE BRACKET	4
6	56179	BOOK COVER DEFLECTOR	2
7	56182	1/8 NPT PLUG WITH ORIFICE	2
8	56205	UPPER PULL-DOWN BAR	1
9	56242	SUPPORT BLOCK	2
10	41034-2	BRACKET - PROXIMITY SWITCH	1
11	56103-1	UPPER PULL-DOWN PLATE	1
12	56137-1	REINFORCEMENT BAR	4
13	56187-1	CLAMP END BLOCK - RH	2
14	56188-1	CLAMP END BLOCK - LH	2
15	56257-1	CLAMP END BLOCK - RH	1
16	56258-1	CLAMP END BLOCK - LH	1
17	E-866-4	MICROSWITCH	1
18	EE-3532-6	PROX. - SIDE KNIFE PRESET	REF
19	H-21S-250-1000	ROLL PIN - 1/4 X 1	8
20	H-6423-#4	NUT - #4-40 HEX KEP	4
21	H-6909-616	SCREW - 3/8-16 X 2" FLT HD	6
22	H-6910-403	SCREW - 1/4-20 X 3/8 BUT HD	4
23	H-6910-404	SCREW - 1/4-20 X 1/2 BUT HD	4
24	H-6910-1010	SCREW - 5/8-11 X 1-1/4 BUT HD	8
25	H-6915-1210	SCREW - 3/4-16 X 1-1/4 SOC HD	4
26	H-6918-508	SCREW - 5/16-18 X 1 SOC HD	12
27	H-6918-614	SCREW - 3/8-16 X 1-3/4 SOC HD	20
28	H-6918-814	SCREW - 1/2-13 X 1-3/4 SOC HD	4
29	H-6918-820	SCREW - 1/2-13 X 2-1/2 SOC HD	8
30	H-6918-102404	SCREW - #10-24 X 1/2 SOC HD	7
31	H-6922-44012	SCREW - #4-40 X 3/4 FLT HD	4
32	H-7321-8	WASHER - 1/2 SAE PLAIN	4
33	H-7321-#10	WASHER - #10 SAE PLAIN	4
34	H-7324-#10	WASHER - #10 INT TOOTH	7
35	H-7327-8	WASHER - 1/4 MEDIUM LOCK	4
36	H-7327-12	WASHER - 3/8 MEDIUM LOCK	20
37	H-7327-16	WASHER - 1/2 MEDIUM LOCK	4
38	P-503-401	ELBOW-1/4 TUBE X 1/8 NPT	2
39	P-503-403	ELBOW-1/4 TUBE X 3/8 NPT	8
40	S-1694-2	TYRAP - #10	3

PL 5.16 Main Assembly 56000TCA (16/26)



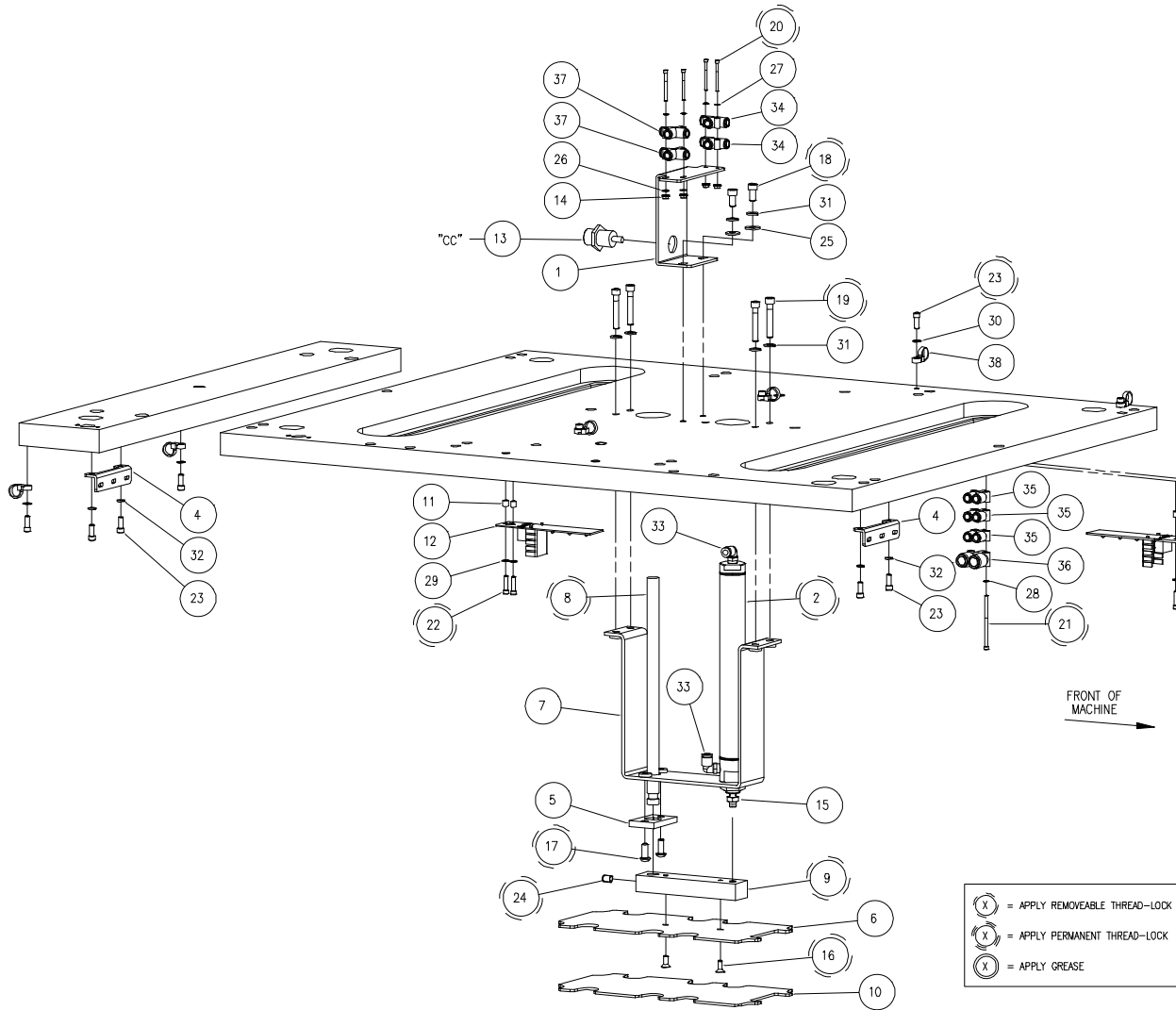
No.	Part Number	Description	Qty.
1	56218	BEARING SURFACE BLOCK	6
2	56271	STOP BLOCK	3
3	56290	AIR CYLINDER BRACKET	3
4	47643-1	AIR CYLINDER - CLAMP	3
5	56146-1	AIR BLAST BRACKET	3
6	56196-1	KNIFE BAR - SIDE KNIFE	2
7	56262-1	KNIFE BAR - FACE KNIFE	1
8	59152-1	AIR FITTING MANIFOLD	3
9	H-6423-#6	NUT - #6-32 HEX KEP	9
10	H-6909-404	SCREW - 1/4-20 X 1/2" FLT HD	12
11	H-6909-63204	SCREW - #6-32 X 1/2" FLT HD	3
12	H-6909-63208	SCREW - #6-32 X 1" FLT HD	6
13	H-6910-102404	SCREW - #10-24 X 1/2 BUT HD	12
14	H-6918-404	SCREW - 1/4-20 X 1/2 SOC HD	12
15	H-6918-510	SCREW - 5/16-18 X 1-1/4 SOC HD	3
16	H-7324-#10	WASHER - #10 INT TOOTH	12
17	H-7327-8	WASHER - 1/4 MEDIUM LOCK	12
18	H-7329-5	WASHER - 5/16 HIGH COLL. LOCK	3
19	P-318-1	PLUG - 3/8 PUSH-IN CONNECTOR	3
20	P-503-401	ELBOW-1/4 TUBE X 1/8 NPT	3
21	P-503-41032	ELBOW-1/4 TUBE X #10-32	9
22	P-511-1	SILENCER - 1/8 NPT	3
23	S-1694-2	TYRAP - #10	3

PL 5.17 Main Assembly 5600TCA (17/26)



No.	Part Number	Description	Qty.
1	56124	2-PIECE CLAMPING DISK	4
2	56126	DISK PLATE	4
3	56190	CROSS BAR	1
4	56194	BEARING - CAM FOLLOWER	8
5	56211	ROLLER BEARING	6
6	56215	SPACER	6
7	56255	GIB PLATE	6
8	56256	GIB INSERT	12
9	56259	AXLE	1
10	56260	AXLE	1
11	59024	KNIFE BAR LIFTER BLOCK	6
12	59025	KNIFE BAR LIFTER SPRING	6
13	59026	KNIFE BAR BEARING BLOCK	6
14	56190-1	CROSS BAR	1
15	56216-1	GIB SUPPORT	6
16	56244-1	SPACER BLOCK	6
17	8815-1	WASHER - KNIFE SCREWS	6
18	8815-2	WASHER - KNIFE SCREWS	18
19	A-10081-2	COLLAR - CLAMP	4
20	H-5254-832	SCREW - 1/2 X 4 SHSS	6
21	H-6417-6	NUT - 3/8-16 HEX	6
22	H-6424-6	NUT - 3/8-16 HEX JAM	18
23	H-6909-102403	SCREW - #10-24 X 3/8" FLT HD	16
24	H-6918-516	SCREW - 5/16-18 X 2 SOC HD	12
25	H-6918-606	SCREW - 3/8-16 X 3/4 SOC HD	18
26	H-6918-814	SCREW - 1/2-13 X 1-3/4 SOC HD	6
27	H-6918-828	SCREW - 1/2-13 X 3-1/2 SOC HD	6
28	H-6918-102408	SCREW - #10-24 X 1 SOC HD	8
29	H-6940-608	SCREW - 3/8-16 X 1/2 SOC SET	6
30	H-6940-624	SCREW - 3/8-16 X 1-1/2 SOC SET	18
31	H-7321-6	WASHER - 3/8 SAE PLAIN	6
32	H-7321-8	WASHER - 1/2 SAE PLAIN	12
33	H-7327-12	WASHER - 3/8 MEDIUM LOCK	6
34	H-7329-8	WASHER - 1/2 HIGH COLL. LOCK	12

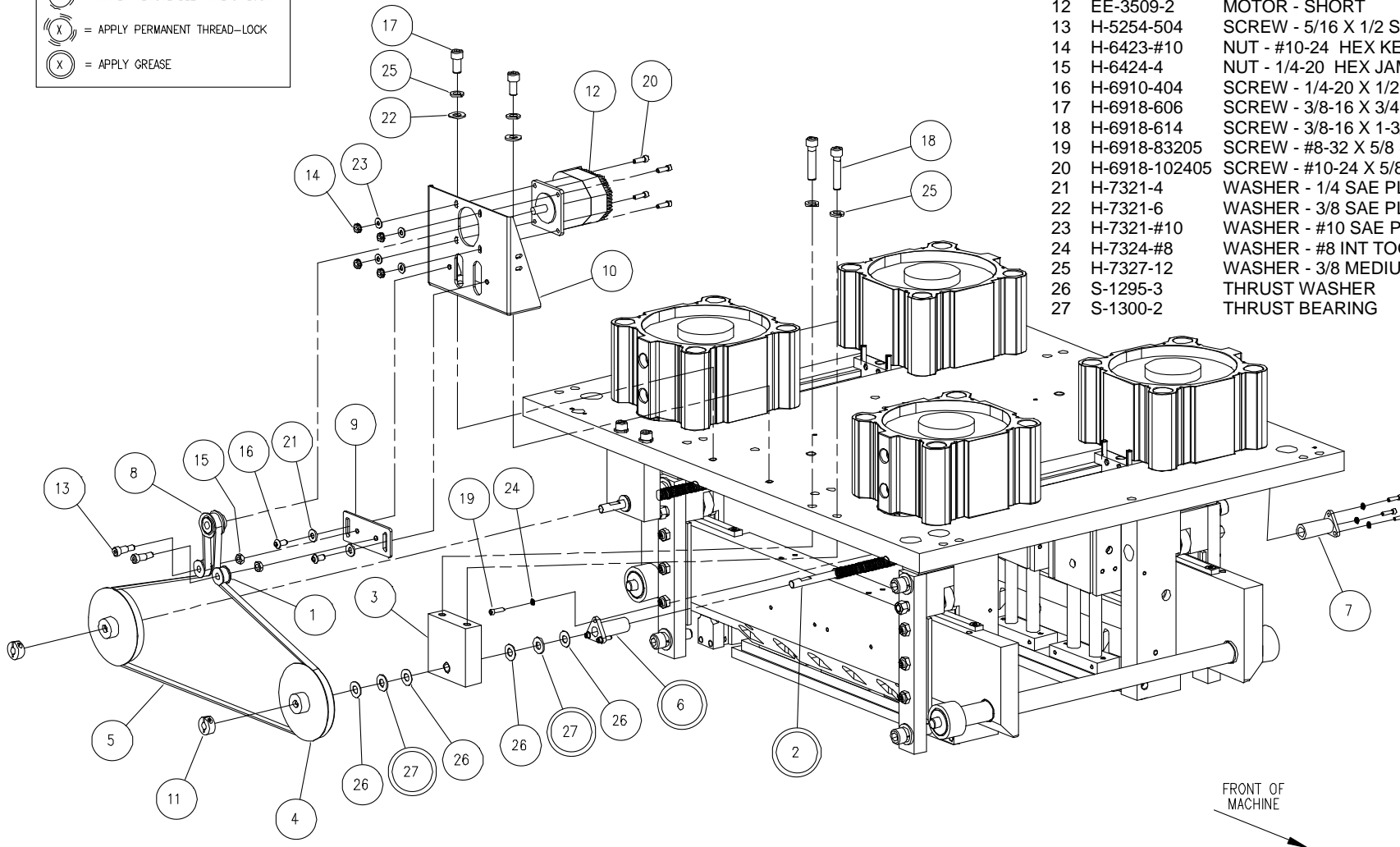
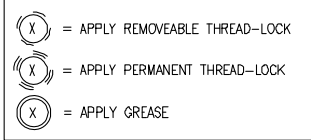
PL 5.18 Main Assembly 56000TCA (18/26)



No.	Part Number	Description	Qty.
1	56131	AIR FITTING AND PROX BRACKET	1
2	56163	AIR CYLINDER	1
3	56205	UPPER PULL-DOWN BAR	1
4	56270	WIRE TIE BRACKET	2
5	56273	GUIDE BLOCK	1
6	56164-1	CENTER CLAMP PLATE	1
7	56165-1	MOUNTING BRACKET	1
8	56166-1	ALIGNMENT ROD	1
9	56176-1	CENTER CLAMP BLOCK	1
10	56178-1	CENTER CLAMP PAD	1
11	E-1152-9	STANDOFF	4
12	EE-3502-1	LED LIGHT BOARD	2
13	EE-3533-11	PROX ASM - CENTER CLAMP	1
14	H-6423-#4	NUT - #4-40 HEX KEP	4
15	H-6428-5	NUT - 5/16-24 HEX JAM	1
16	H-6909-102404	SCREW - #10-24 X 1/2" FLT HD	2
17	H-6910-405	SCREW - 1/4-20 X 5/8 BUT HD	2
18	H-6918-404	SCREW - 1/4-20 X 1/2 SOC HD	2
19	H-6918-412	SCREW - 1/4-20 X 1-1/2 SOC HD	4
20	H-6918-44010	SCREW - #4-40 X 1-1/4 SOC HD	4
21	H-6918-63218	SCREW - #6-32 X 2-1/4 SOC HD	1
22	H-6918-83205	SCREW - #8-32 X 5/8 SOC HD	4
23	H-6918-102404	SCREW - #10-24 X 1/2 SOC HD	10
24	H-6938-406	SCREW - 1/4-20 X 3/8 SOC SET	1
25	H-7321-4	WASHER - 1/4 SAE PLAIN	1
26	H-7321-#4	WASHER - #4 SAE PLAIN	2
27	H-7324-#4	WASHER - #4 INT TOOTH	4
28	H-7324-#6	WASHER - #6 INT TOOTH	1
29	H-7324-#8	WASHER - #8 INT TOOTH	4
30	H-7324-#10	WASHER - #10 INT TOOTH	6
31	H-7327-8	WASHER - 1/4 MEDIUM LOCK	6
32	H-7327-#10	WASHER - #10 MEDIUM LOCK	4
33	P-503-401	ELBOW-1/4 TUBE X 1/8 NPT	2
34	P-507-4	UNION TEE - 1/4 TUBE DIA	2
35	P-508-4	UNION "Y" - 1/4 X 1/4 TUBE DIA	3
36	P-508-6	UNION "Y" - 3/8 X 3/8 TUBE DIA	1
37	P-530-4	FOUR BRANCH CROSS FITTING	2
38	S-1694-2	TYRAP - #10	6

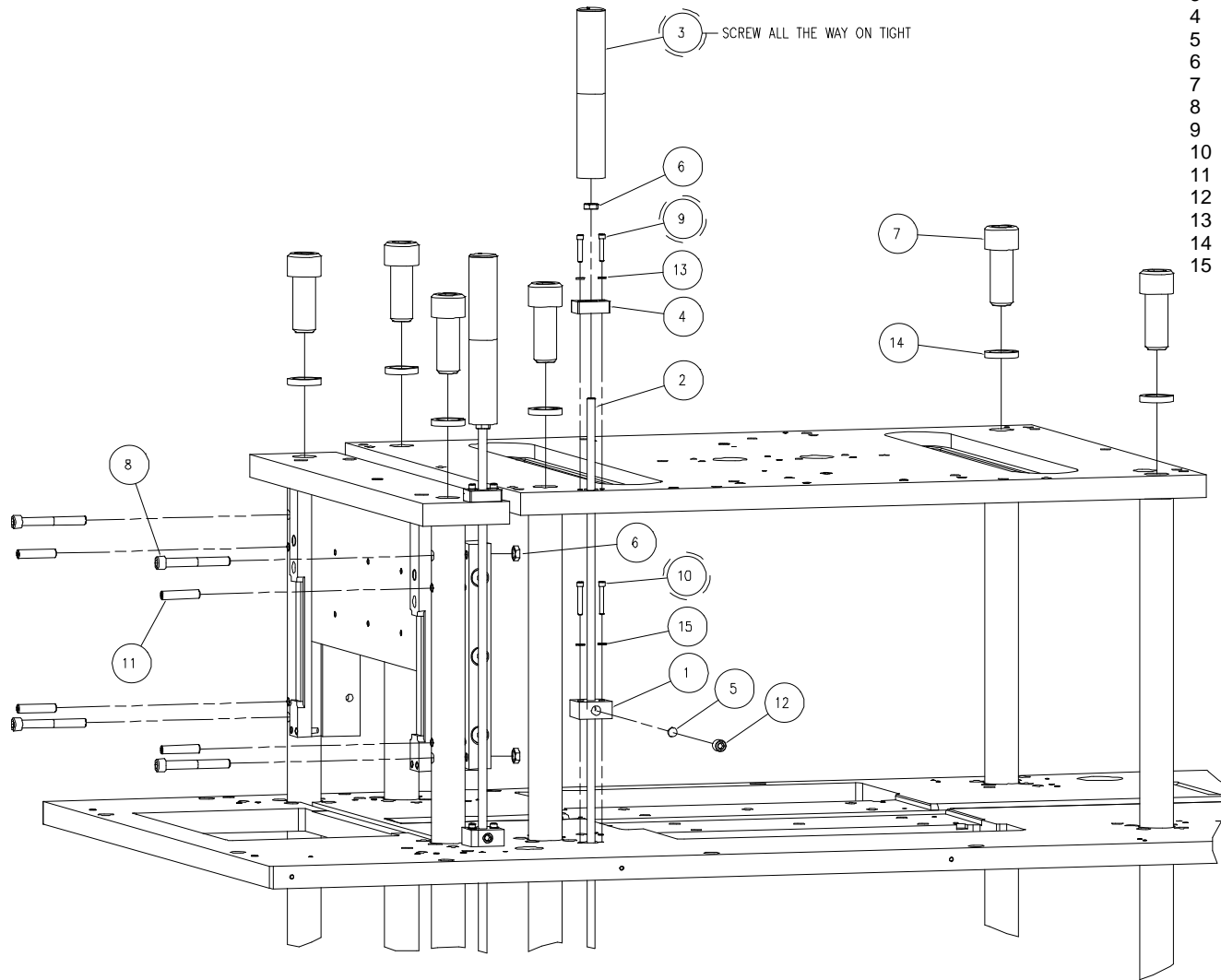
PL 5.19 Main Assembly 56000TCA (19/26)




No.	Part Number	Description	Qty.
1	35114	ROLLER - GUIDE	2
2	56112	LEAD SCREW - DOUBLE ENDED	2
3	56119	PILLOW BLOCK ASM.	2
4	56120	PULLEY - TIMING, 58 TEETH	2
5	56122	TIMING BELT - 490XL037	1
6	56148	LEADSCREW NUT - RH	2
7	56149	LEADSCREW NUT - LH	2
8	56066-4	TIMING PULLEY - 15 GROOVE XL	1
9	56139-1	BRACKET - IDLER PULLEY	1
10	56315-2	MOTOR BRACKET	1
11	A-10081-1	COLLAR - CLAMP	2
12	EE-3509-2	MOTOR - SHORT	1
13	H-5254-504	SCREW - 5/16 X 1/2 SHSS	2
14	H-6423-#10	NUT - #10-24 HEX KEP	4
15	H-6424-4	NUT - 1/4-20 HEX JAM	2
16	H-6910-404	SCREW - 1/4-20 X 1/2 BUT HD	2
17	H-6918-606	SCREW - 3/8-16 X 3/4 SOC HD	2
18	H-6918-614	SCREW - 3/8-16 X 1-3/4 SOC HD	4
19	H-6918-83205	SCREW - #8-32 X 5/8 SOC HD	12
20	H-6918-102405	SCREW - #10-24 X 5/8 SOC HD	4
21	H-7321-4	WASHER - 1/4 SAE PLAIN	2
22	H-7321-6	WASHER - 3/8 SAE PLAIN	2
23	H-7321-#10	WASHER - #10 SAE PLAIN	4
24	H-7324-#8	WASHER - #8 INT TOOTH	12
25	H-7327-12	WASHER - 3/8 MEDIUM LOCK	6
26	S-1295-3	THRUST WASHER	8
27	S-1300-2	THRUST BEARING	4



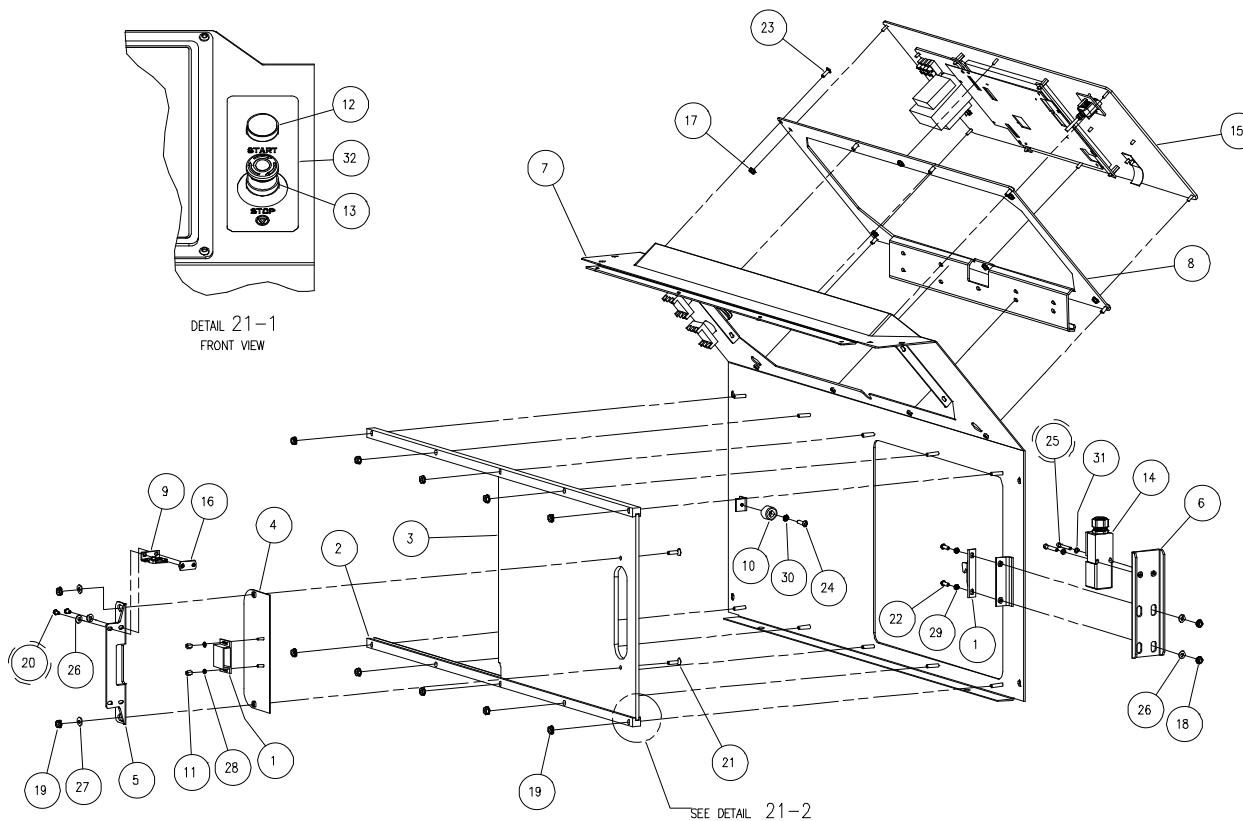
PL 5.20 Main Assembly 56000TCA (20/26)

No.	Part Number	Description	Qty.
1	56234	ADJ. KNOB BLOCK	2
2	56281	KNIFE HEIGHT ADJ. ROD	2
3	59156	ADJUSTMENT HANDLE	2
4	59256	ADJ. ROD GUIDE	2
5	6609-2	TEFLON PLUG	2
6	H-6424-6	NUT - 3/8-16 HEX JAM	6
7	H-6915-1620	SCREW - 1-14 X 2-1/2 SOC HD	6
8	H-6918-624	SCREW - 3/8-16 X 3 SOC HD	4
9	H-6918-102408	SCREW - #10-24 X 1 SOC HD	4
10	H-6918-102410	SCREW - #10-24 X 1-1/4 SOC HD	4
11	H-6940-628	SCREW - 3/8-16 X 1-3/4 SOC SET	4
12	H-6951-808	SCREW - 1/2-13 X 1/2 NYLOK SET	2
13	H-7327-#10	WASHER - #10 MEDIUM LOCK	4
14	H-7329-16	WASHER - 1" HIGH COLL. LOCK	6
15	H-7330-#10	WASHER - #10 EXT TOOTH	4



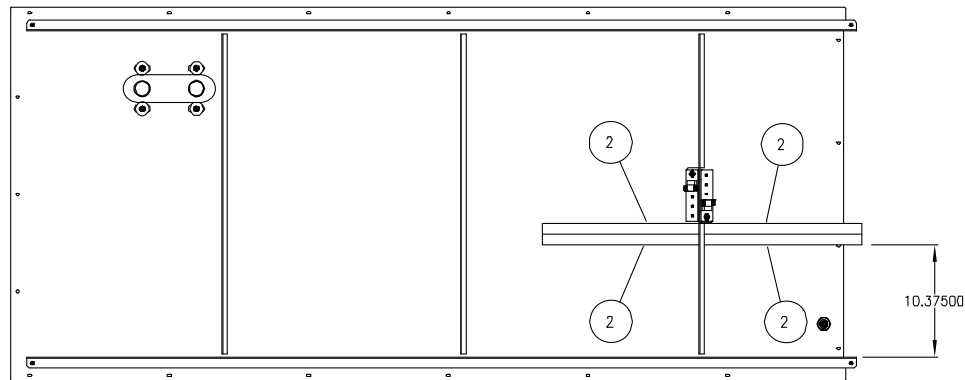
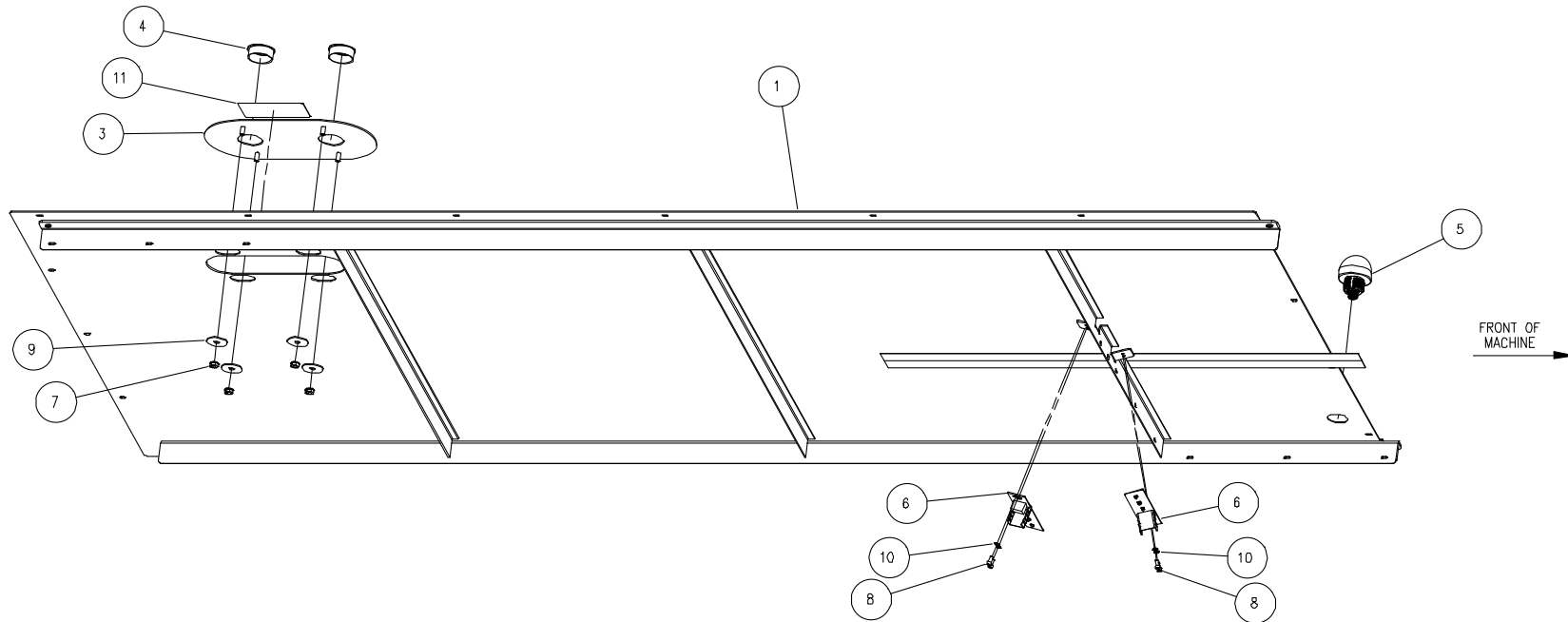
-  = APPLY REMOVEABLE THREAD-LOCK
-  = APPLY PERMANENT THREAD-LOCK
-  = APPLY GREASE

PL 5.21 Main Assembly 5600TCA (21/26)






No.	Part Number	Description	Qty.
1	56853	DOOR CATCH - 13N (3LBS)	1
2	56905	DOOR TRACK	2
3	56906	DOOR - SLIDING	1
4	56908	LATCH PLATE	1
5	56969	ACTUATOR BRACKET	1
6	56970	INTERLOCK SWITCH BRACKET	1
7	56972	WELDMENT - FRONT COVER	1
8	59181	BEZEL	1
9	45180-4	ACTUATOR KEY	1
10	A-11074-	FOOT - RUBBER	1
11	E-1152-88	STANDOFF	2
12	E-3073-1	SWITCH - GREEN	1
13	E-3127-5	SWITCH - RED STOP	1
14	EE-3559	SWITCH - INTERLOCK	1
15	EE-3456-5	CONSOLE ASM - 330 TC	1
16	H-6416-832-6	WELDNUT - #8-32 TWIN PILOT	1
17	H-6423-#6	NUT - #6-32 HEX KEP	6
18	H-6423-#8	NUT - #8-32 HEX KEP	2
19	H-6423-#10	NUT - #10-24 HEX KEP	12
20	H-6888-83203	SCREW - #8-32 X 3/8 SECURITY	2
21	H-6909-102406	SCREW - #10-24 X 3/4" FLT HD	2
22	H-6910-83205	SCREW - #8-32 X 5/8 BUT HD	2
23	H-6910-102404	SCREW - #10-24 X 1/2 BUT HD	8
24	H-6910-102406	SCREW - #10-24 X 3/4 BUT HD	1
25	H-6918-83210	SCREW - #8-32 X 1-1/4 SOC HD	2
26	H-7321-#8	WASHER - #8 SAE PLAIN	4
27	H-7321-#10	WASHER - #10 SAE PLAIN	2
28	H-7324-#6	WASHER - #6 INT TOOTH	2
29	H-7324-#8	WASHER - #8 INT TOOTH	2
30	H-7324-#10	WASHER - #10 INT TOOTH	1
31	H-7327-#8	WASHER - #8 MEDIUM LOCK	2
32	S-1781-222	LABEL - START/STOP, REAR	1

PL 5.22 Main Assembly 56000TCA (22/26)

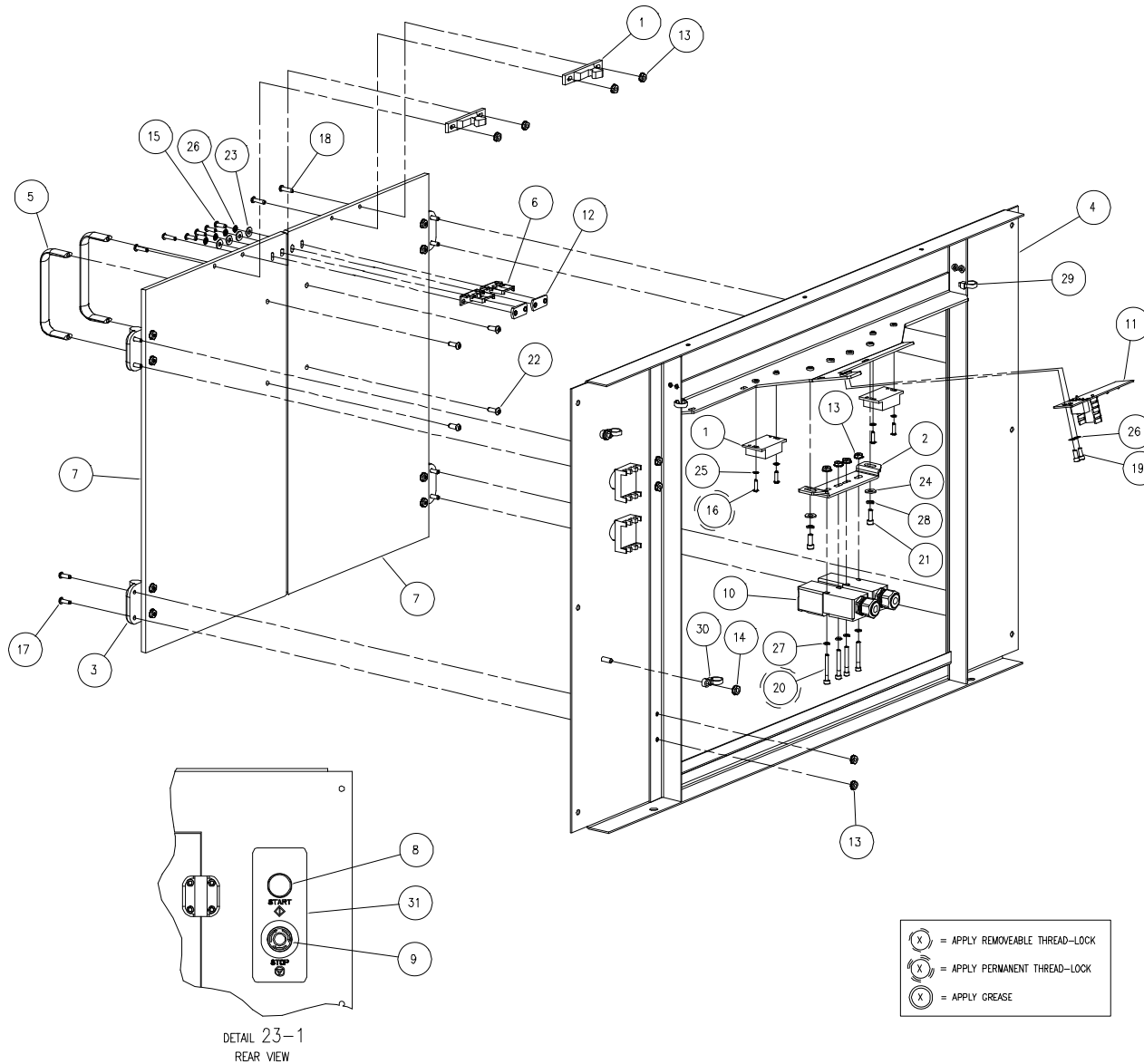


DETAIL 22-1
BOTTOM VIEW

-  = APPLY REMOVEABLE THREAD-LOCK
-  = APPLY PERMANENT THREAD-LOCK
-  = APPLY GREASE

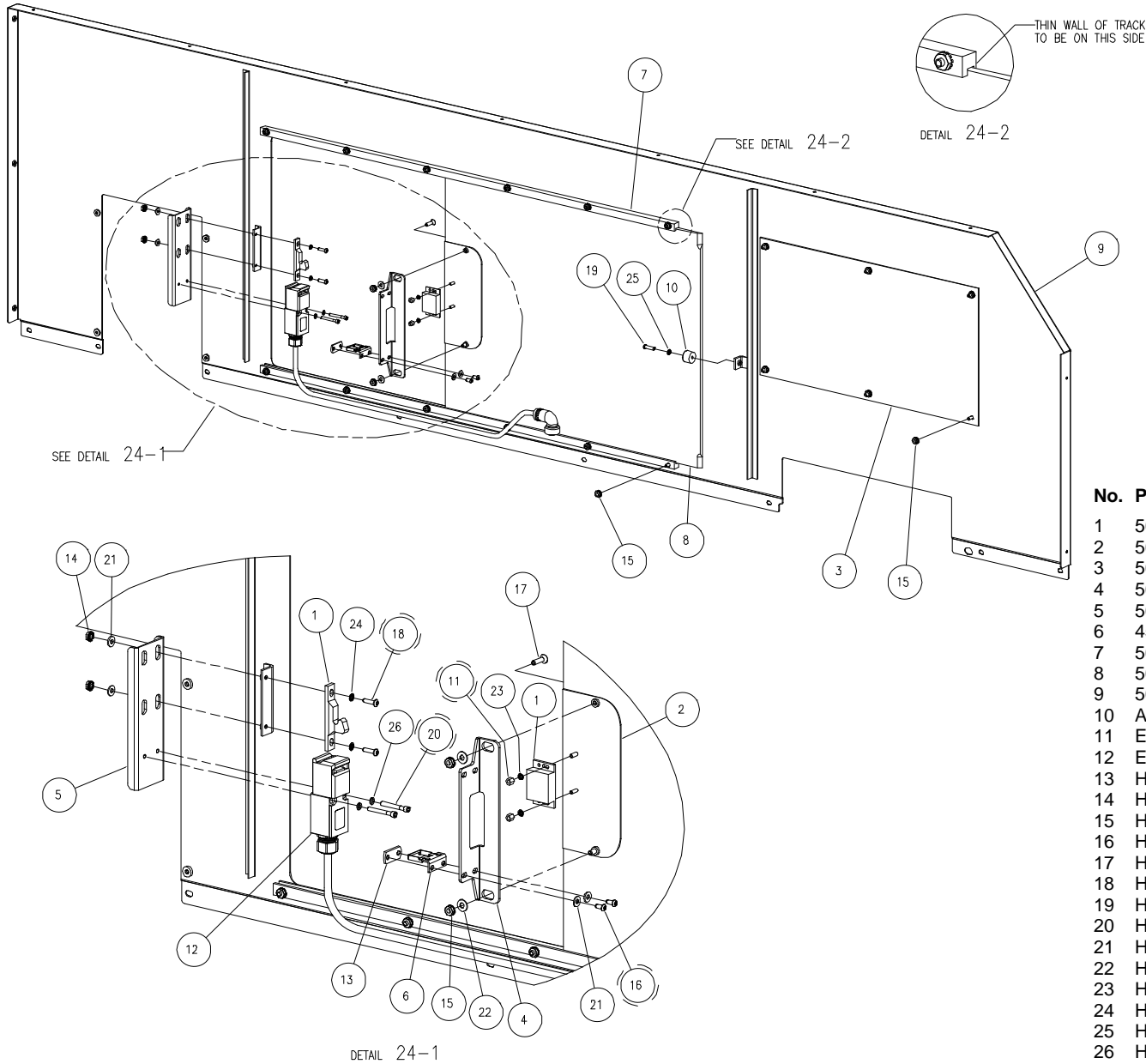
No.	Part Number	Description	Qty.
1	56973	WELDMENT - TOP COVER	1
2	56180	REFL. TAPE - 1" W X 14-1/2"	4
3	56943-1	ADJUSTMENT HANDLE COVER	1
4	E-1172-24	SNAP-IN BUSHING	2
5	E-2981-2	STATUS LIGHT	1
6	EE-3502-1	LED LIGHT BOARD	2
7	H-6423-4	NUT - 1/4-20 HEX KEP	4
8	H-6918-83203	SCREW - #8-32 X 3/8 SOC HD	4
9	H-6993-510	WASHER - 5/16 X 1-1/4 FENDER	4
10	H-7324-#8	WASHER - #8 INT TOOTH	4
11	S-1781-220	LABEL - KNIFE ADJUST	1

PL 5.23 Main Assembly 56000TCA (23/26)



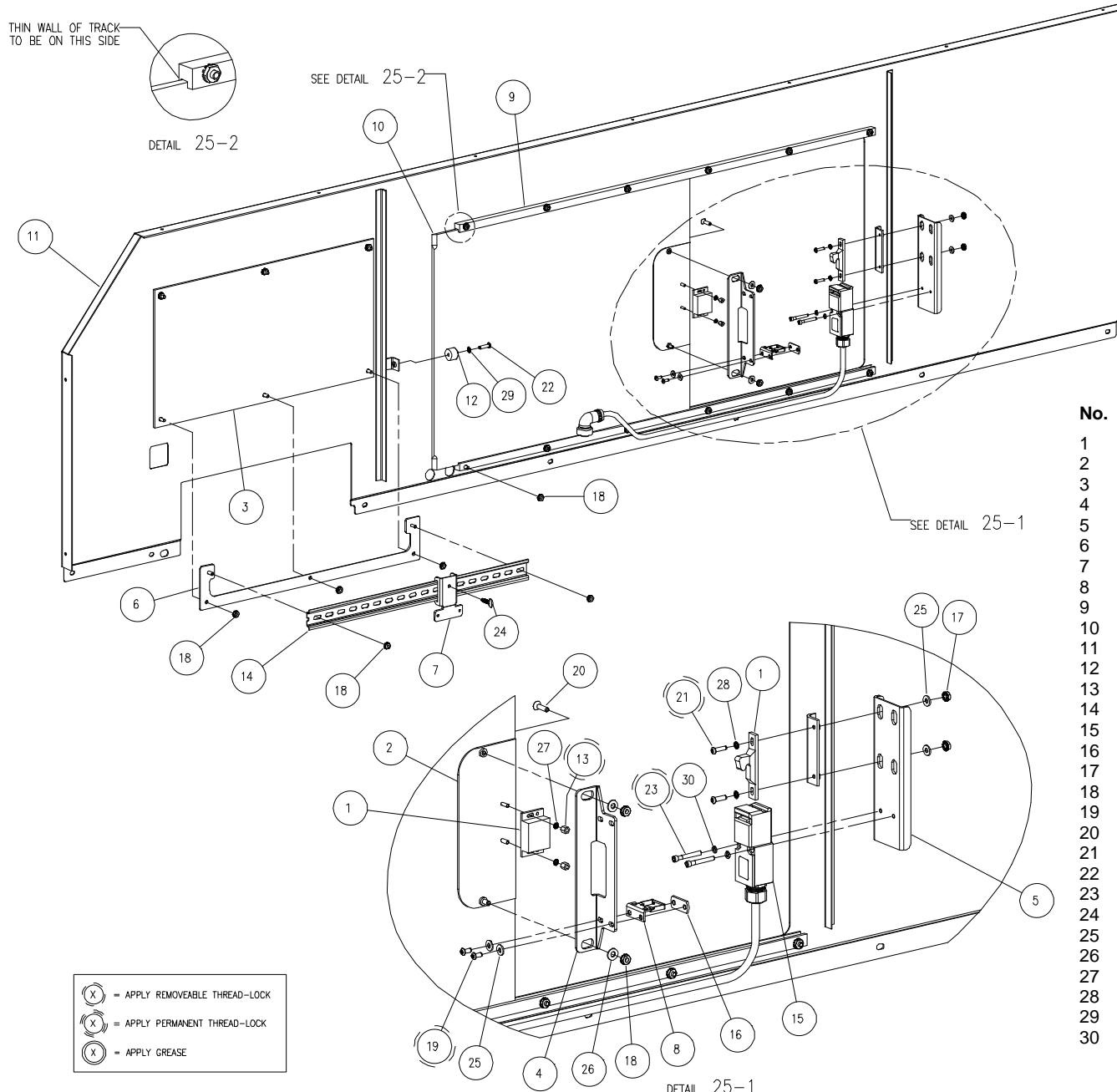
No.	Part Number	Description	Qty.
1	56853	DOOR CATCH - 13N (3LBS)	2
2	56878	INTERLOCK SWITCH BRACKET	1
3	56918	HINGE	4
4	56926	WELDMENT - HOOD BACK	1
5	13940-1	HANDLE	2
6	45180-4	ACTUATOR KEY	2
7	56914-1	REAR DOOR	2
8	E-3073-1	SWITCH - GREEN	1
9	E-3127-5	SWITCH - RED STOP	1
10	EE-3559	SWITCH - INTERLOCK	2
11	EE-3502-1	LED LIGHT BOARD	1
12	H-6416-832-6	WELDNUT - #8-32 TWIN PILOT	2
13	H-6423-#8	NUT - #8-32 HEX KEP	24
14	H-6423-#10	NUT - #10-24 HEX KEP	2
15	H-6888-83204	SCREW - #8-32 X 1/2 SECURITY	4
16	H-6910-63204	SCREW - #6-32 X 1/2 BUT HD	4
17	H-6910-83204	SCREW - #8-32 X 1/2 BUT HD	16
18	H-6910-83205	SCREW - #8-32 X 5/8 BUT HD	4
19	H-6918-83203	SCREW - #8-32 X 3/8 SOC HD	2
20	H-6918-83210	SCREW - #8-32 X 1-1/4 SOC HD	4
21	H-6918-102404	SCREW - #10-24 X 1/2 SOC HD	2
22	H-6920-103204	SCREW - #10-32 X 1/2 BUT HD	4
23	H-7321-#8	WASHER - #8 SAE PLAIN	4
24	H-7321-#10	WASHER - #10 SAE PLAIN	2
25	H-7324-#6	WASHER - #6 INT TOOTH	4
26	H-7324-#8	WASHER - #8 INT TOOTH	6
27	H-7327-#8	WASHER - #8 MEDIUM LOCK	4
28	H-7327-#10	WASHER - #10 MEDIUM LOCK	2
29	S-1694-1	TYRAP	2
30	S-1694-2	TYRAP - #10	2
31	S-1781-222	LABEL - START/STOP, REAR	1

PL 5.24 Main Assembly 56000TCA (24/26)



No.	Part Number	Description	Qty.
1	56853	DOOR CATCH - 13N (3LBS)	1
2	56908	LATCH PLATE	1
3	56966	WINDOW	1
4	56969	ACTUATOR BRACKET	1
5	56970	INTERLOCK SWITCH BRACKET	1
6	45180-4	ACTUATOR KEY	1
7	56905-1	DOOR TRACK	2
8	56912-1	SLIDING DOOR	1
9	56927-2	WELDMENT - HOOD RIGHT SIDE	1
10	A-11074-	FOOT - RUBBER	1
11	E-1152-88	STANDOFF	2
12	EE-3486	SWITCH - INTERLOCK	1
13	H-6416-832-6	WELDNUT - #8-32 TWIN PILOT	1
14	H-6423-#8	NUT - #8-32 HEX KEP	2
15	H-6423-#10	NUT - #10-24 HEX KEP	20
16	H-6888-83203	SCREW - #8-32 X 3/8 SECURITY	2
17	H-6909-102406	SCREW - #10-24 X 3/4" FLT HD	2
18	H-6910-83205	SCREW - #8-32 X 5/8 BUT HD	2
19	H-6910-102406	SCREW - #10-24 X 3/4 BUT HD	1
20	H-6918-83210	SCREW - #8-32 X 1-1/4 SOC HD	2
21	H-7321-#8	WASHER - #8 SAE PLAIN	4
22	H-7321-#10	WASHER - #10 SAE PLAIN	2
23	H-7324-#6	WASHER - #6 INT TOOTH	2
24	H-7324-#8	WASHER - #8 INT TOOTH	2
25	H-7324-#10	WASHER - #10 INT TOOTH	1
26	H-7327-#8	WASHER - #8 MEDIUM LOCK	2




PL 5.25 Main Assembly 56000TCA (25/26)

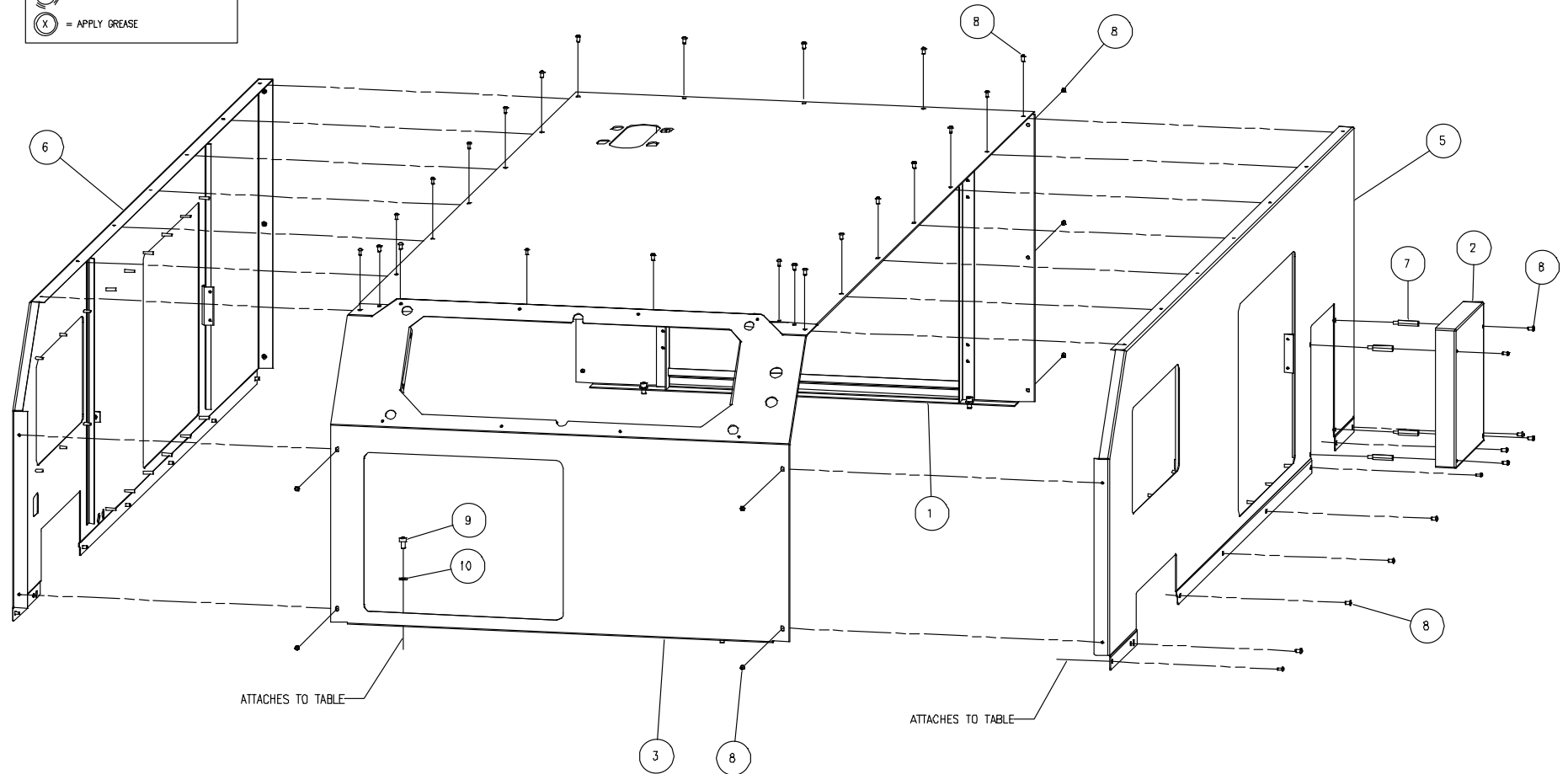


No.	Part Number	Description	Qty.
1	56853	DOOR CATCH - 13N (3LBS)	1
2	56908	LATCH PLATE	1
3	56966	WINDOW	1
4	56969	ACTUATOR BRACKET	1
5	56970	INTERLOCK SWITCH BRACKET	1
6	56971	ADAPTER BRACKET	1
7	59180	BAR CODE SCANNER BRACKET	1
8	45180-4	ACTUATOR KEY	1
9	56905-1	DOOR TRACK	2
10	56912-1	SLIDING DOOR	1
11	56928-2	WELDMENT - HOOD LEFT SIDE	1
12	A-11074-	FOOT - RUBBER	1
13	E-1152-88	STANDOFF	2
14	E-1977-28	MOUNTING RAIL - 18" LONG	1
15	EE-3486	SWITCH - INTERLOCK, SAFETY	1
16	H-6416-832-6	WELDNUT - #8-32 TWIN PILOT	1
17	H-6423-#8	NUT - #8-32 HEX KEP	2
18	H-6423-#10	NUT - #10-24 HEX KEP	22
19	H-6888-83203	SCREW - #8-32 X 3/8 SECURITY	2
20	H-6909-102406	SCREW - #10-24 X 3/4" FLT HD	2
21	H-6910-83205	SCREW - #8-32 X 5/8 BUT HD	2
22	H-6910-102406	SCREW - #10-24 X 3/4 BUT HD	1
23	H-6918-83210	SCREW - #8-32 X 1-1/4 SOC HD	2
24	H-6955-102406	THUMBSCREW - #10-24 X 3/4"	1
25	H-7321-#8	WASHER - #8 SAE PLAIN	4
26	H-7321-#10	WASHER - #10 SAE PLAIN	2
27	H-7324-#6	WASHER - #6 INT TOOTH	2
28	H-7324-#8	WASHER - #8 INT TOOTH	2
29	H-7324-#10	WASHER - #10 INT TOOTH	1
30	H-7327-#8	WASHER - #8 MEDIUM LOCK	2

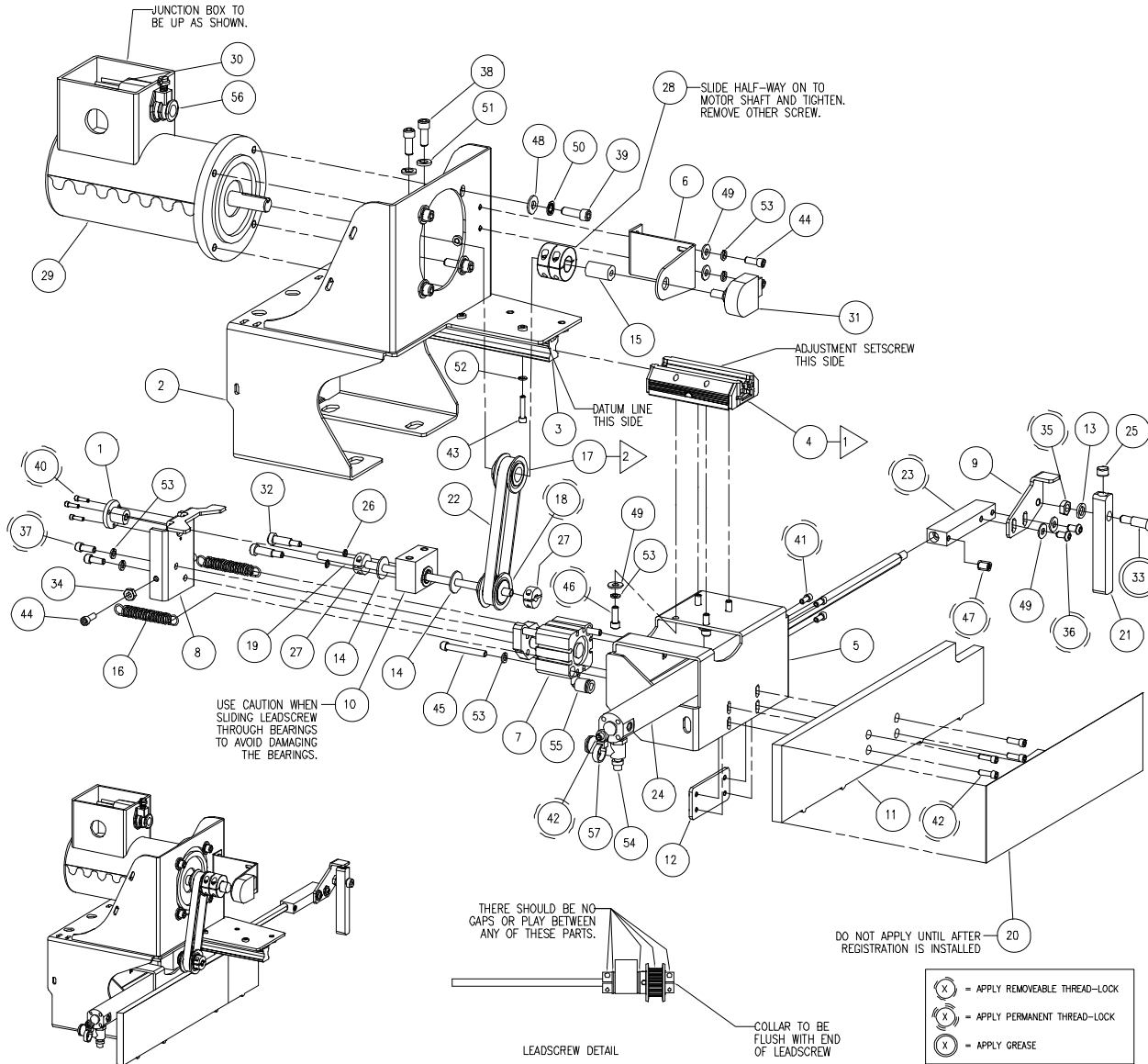
PL 5.26 Main Assembly 56000TCA (26/26)

No.	Part Number	Description	Qty.
1	56926	WELDMENT - HOOD BACK	1
2	56941	COVER	1
3	56972	WELDMENT - FRONT COVER	1
4	56973	WELDMENT - TOP COVER	1
5	56927-2	WELDMENT - HOOD RIGHT SIDE	1
6	56928-2	WELDMENT - HOOD LEFT SIDE	1
7	E-1152-95	STANDOFF	4
8	H-6910-102403	SCREW - #10-24 X 3/8 BUT HD	52
9	H-6918-504	SCREW - 5/16-18 X 1/2 SOC HD	4
10	H-7327-10	WASHER - 5/16 MEDIUM LOCK	4

-  = APPLY REMOVEABLE THREAD-LOCK
-  = APPLY PERMANENT THREAD-LOCK
-  = APPLY GREASE



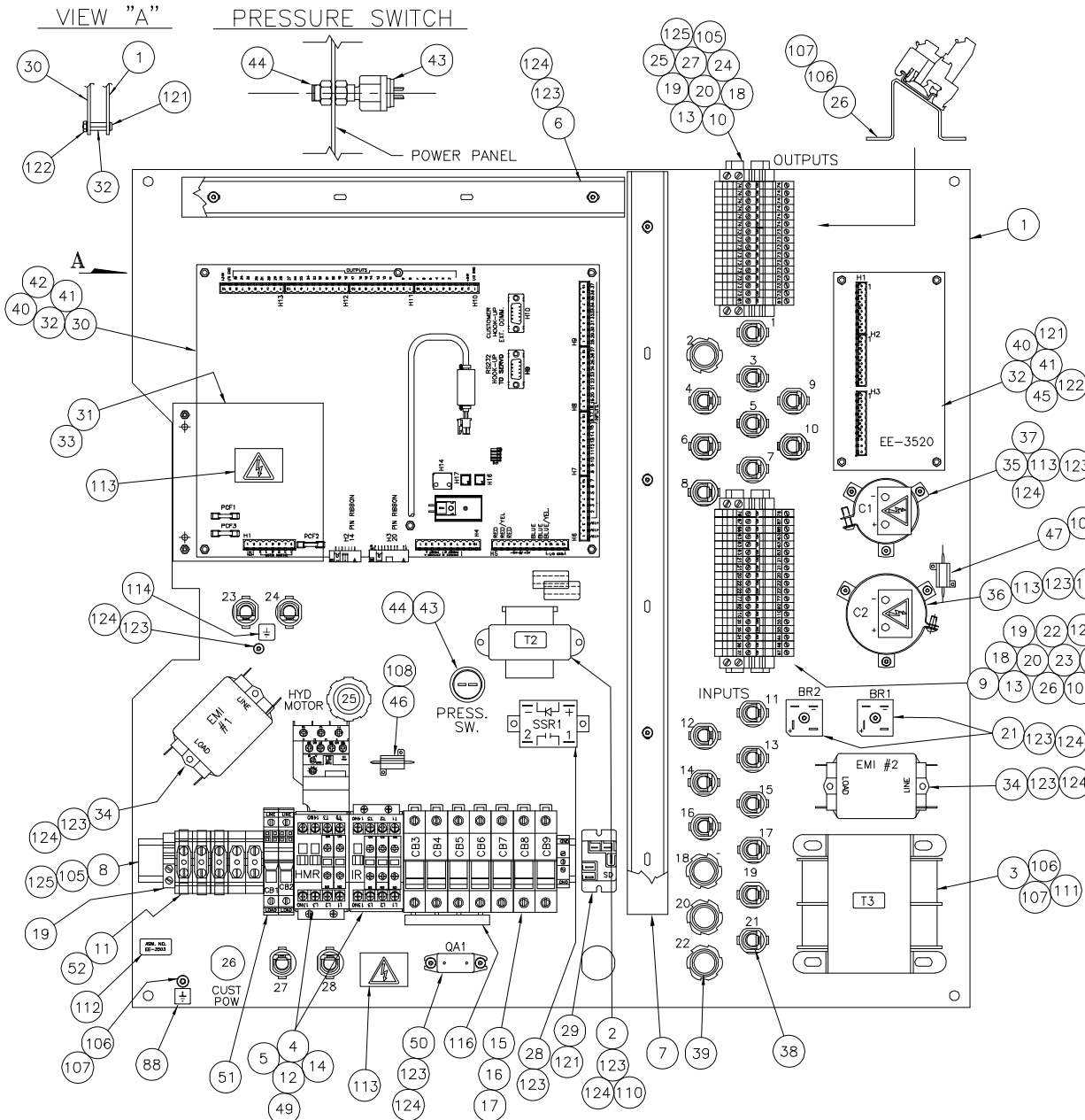
PL 5.27 Registration Asm. 56316



No.	Part Number	Description	Qty.
1	56310	LEADSCREW NUT	1
2	59301	REGISTRATION BRACKET	1
3	59303	RAIL	1
4	59304	CASSETTE	1
5	59305	PUSHER BRACKET	1
6	59307	ENCODER BRACKET	1
7	59309	AIR CYLINDER - GUIDED	1
8	59310	LEADSCREW BRACKET	1
9	59312	BOOK STOP BRACKET	1
10	59316	BEARING BLOCK ASSEMBLY	1
11	59318	JOGGER PLATE - REGISTRATION	1
12	59319	BACKING PLATE	1
13	11288-33	WASHER/SPACER	1
14	11288-42	WASHER/SPACER	2
15	47053-3	COUPLING	1
16	47136-18	SPRING	2
17	56066-2	TIMING PULLEY - 15 GROOVE XL	1
18	56066-3	TIMING PULLEY - 15 GROOVE XL	1
19	56309-1	LEAD SCREW	1
20	56569	2.75" WIDE P.E. TAPE X 10.5" LONG	1
21	56964-1	BOOK STOP	1
22	59048	TIMING BELT- 290XL037	1
23	59308-1	BOOK STOP BLOCK	1
24	59311-1	AIR CYLINDER - NON ROTATING	1
25	60053-1	MAGNET - RARE EARTH	1
26	61034-250032	SHLD SCR LENGTHENING SHIM- 1/4	2
27	A-10081-8	COLLAR - CLAMP, 1/4ID 2PC	2
28	A-10081-9	COLLAR - ONE PIECE DOUBLE WIDE	1
29	E-1600-166	MOTOR- 180VDC	1
30	E-1736-2	QUENCHCHARC	1
31	E-2467-1	ENCODER	1
32	H-5254-405	SCREW - 1/4 X 5/8 SHSS	2
33	H-5254-505	SCREW - 5/16 X 5/8 SHSS	1
34	H-6417-#10	NUT - #10-24 HEX	2
35	H-6424-4	NUT - 1/4-20 HEX JAM	1
36	H-6910-102403	SCREW - #10-24 X 3/8 BUT HD	2
37	H-6915-103204	SCREW - #10-32 X 1/2 SOC HD	2
38	H-6918-405	SCREW - 1/4-20 X 5/8 SOC HD	2
39	H-6918-406	SCREW - 1/4-20 X 3/4 SOC HD	3
40	H-6918-44003	SCREW - #4-40 X 3/8 SOC HD	4
41	H-6918-83203	SCREW - #8-32 X 3/8 SOC HD	4
42	H-6918-83204	SCREW - #8-32 X 1/2 SOC HD	5
43	H-6918-83206	SCREW - #8-32 X 3/4 SOC HD	4
44	H-6918-102404	SCREW - #10-24 X 1/2 SOC HD	4
45	H-6918-102412	SCREW - #10-24 X 1-1/2 SOC HD	2
46	H-6918-M514	SCREW - M5 X 14MM SOC HD	4
47	H-6938-102406	SCREW - #10-24 X 3/8 CUP SOC SET	1
48	H-7321-4	WASHER - 1/4 SAE PLAIN	4
49	H-7321-#10	WASHER - #10 SAE PLAIN	8
50	H-7324-8	WASHER - 1/4 INT TOOTH	4
51	H-7327-8	WASHER - 1/4 MEDIUM LOCK	2
52	H-7327-#8	WASHER - #8 MEDIUM LOCK	4
53	H-7327-#10	WASHER - #10 MEDIUM LOCK	10
54	P-304	FLOW CTRL ELBOW-1/4 T X 1/8 NPT	2
55	P-503-41032	ELBOW-1/4 TUBE X #10-32	1
56	S-1350-16	STRAIN RELIEF BUSHING	1
57	S-1694-2	TYRAP - #10	1

PL 5.28 Power Panel EE-3554 (1/2)

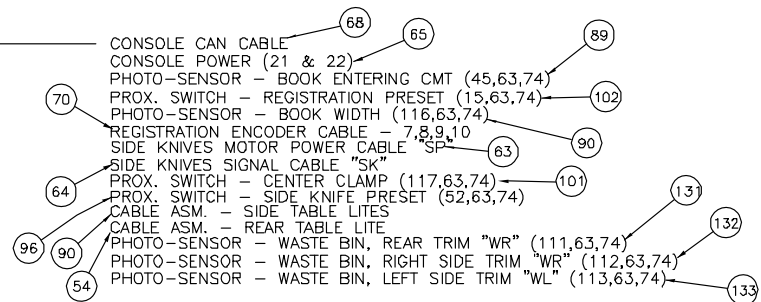
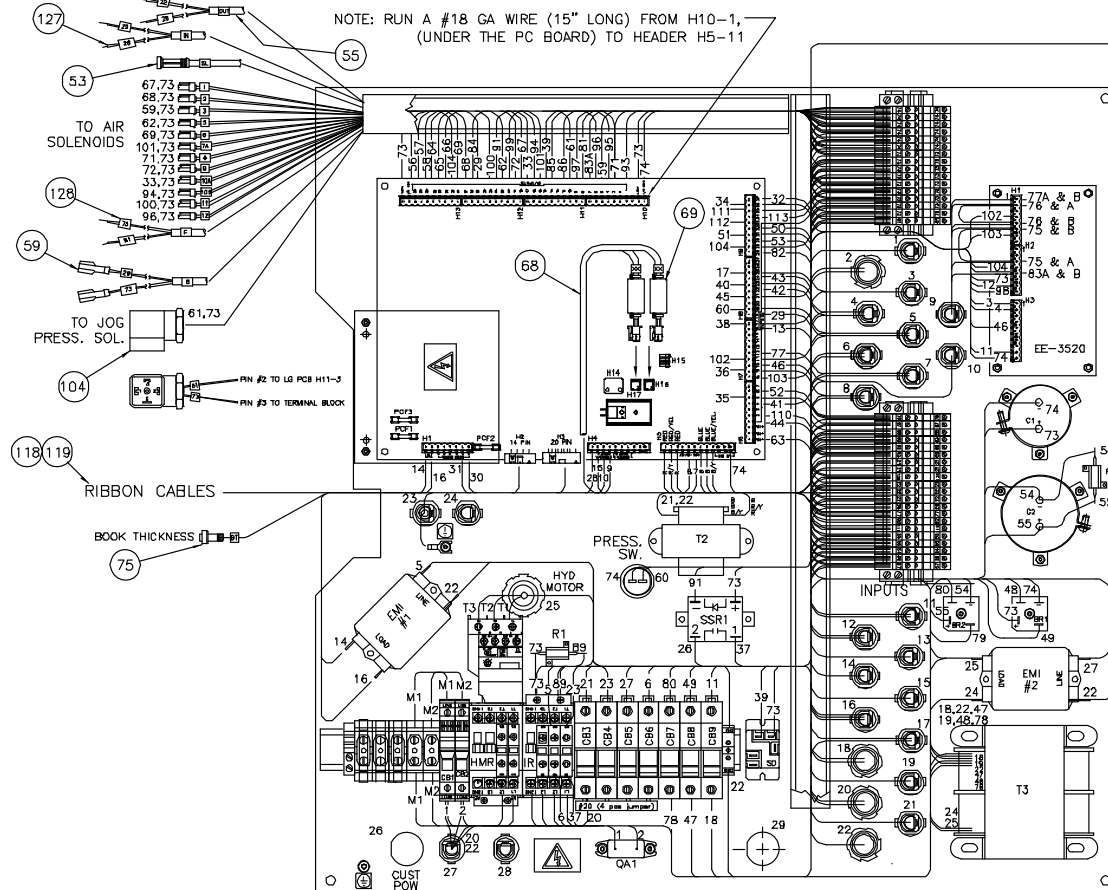
Components



No.	Part Number	Description	Qty.
1	56870	PANEL - POWER	1
2	E-2742-5	TRANS. - 120V PRIM., 16V & 24V SEC. (T2)	1
3	E-2742-18	TRANS. - 120V PRIM., 9V/19V/55.5V SEC. (T3)	1
4	E-2805-6	STARTER - RELAYS, "PM" AND "IR"	2
5	E-2376-6	AUXILIARY CONTACT - STARTER, N.O.	5
6	E-1429-23	WIRE DUCT & COVER - 14" LONG	1
7	E-1429-19	WIRE DUCT & COVER - 23-1/2" LONG	1
8	E-1977-27	RAIL - TERMINAL - 14" LONG	1
9	E-1977-13	RAIL - TERMINAL - 6" LONG	1
10	E-1977-23	RAIL - TERMINAL - 5" LONG	1
11	E-2068-7	TERMINAL BLOCK - 3 AWG.	5
12	E-2068-3	TERMINAL BLOCK - GROUNDING	1
13	E-2068-9	TERMINAL BLOCK - #10 AWG., UK 5 RET.	37
14	E-3264	CIRCUIT BREAKER - 1/2A, (CB9)	1
15	E-3264-9	CIRCUIT BREAKER - 8A, (CB8)	1
16	E-3264-3	CIRCUIT BREAKER - 2A, (CB4 & CB6)	2
17	E-3264-2	CIRCUIT BREAKER - 1.6A, (CB3)	1
18	E-2069-5	END PLATE	2
19	E-2070-1	END BRACKET	5
20	E-2864-1	SEPARATOR PLATE - TERMINAL BLOCK	2
21	E-1143	BRIDGE RECTIFIER - PANEL MOUNT	2
22	E-2507-2	FIXED BRIDGE - 2 POLE	2
23	E-2507-3	FIXED BRIDGE - 3 POLE	2
24	E-2507-6	FIXED BRIDGE - 6 POLE	1
25	E-2507-9	FIXED BRIDGE - 9 POLE	1
26	E-3145	ANGLE BRACKET - TERMINAL RAIL	4
27	E-1356(-)	MARKING STRIP - TERMINAL BLOCK	4
28	E-2064-2	RELAY - SOLID STATE	1
29	E-2232-4	RELAY - SHUTDOWN (SD) 24VDC COIL	1
30	EE-3447-2	P.C.B. ASSEMBLY - I/O	1
31	47157-7	P.C.B. COVER - CLEAR	1
32	E-1152-56	STAND-OFF - 1/2" LONG	10
33	E-1152-43	STAND-OFF - 2" LONG	2
34	E-2730-3	FILTER - EMI/EFI, PANEL MOUNT (3EQ1)	2
35	E-1431-1	CAPACITOR - 39000 uF ELECTROLYTIC (C1)	1
36	E-1431-3	CAPACITOR - 24000 uF ELEC. (C2) w/bracket	1
37	E-2709	BRACKET - CAPACITOR	1
38	S-1350-16	CABLE CLAMP - PLASTIC	22
39	E-894	CABLE CLAMP - METAL	4
40	E-2066-10	PLUG CONNECTOR - P.C.B. 10 PIN	11
41	E-2066-8	PLUG CONNECTOR - P.C.B. 8 PIN	3
42	E-2066-12	PLUG CONNECTOR - P.C.B. 12 PIN	1
43	P-294	PRESSURE SWITCH - N.O. CLOSSES @ 20 PSI	1
44	P-295	ADAPTOR - PRESSURE SWITCH BULKHEAD	1
45	EE-3520	P.C.B. ASSEMBLY - DOOR INDICATOR	1
46	EE-3289	RESISTOR ASSEMBLY - IR RELAY COIL	1
47	EE-3289-1	RESISTOR ASSEMBLY - CAPACITOR "C2"	1
48	E-2756-3	FILTER - FERRITE CORE	2
49	E-2441-18	OVERLOAD RELAY - 13A TO 16A (230v)	1
50	E-2441-20	OVERLOAD RELAY - 7.5A TO 10A (hi-volt)	1
51	E-1736-5	QUENCHARC - PANEL MOUNT, QA1	1
52	E-3264-6	CIRCUIT BREAKER - 5A, (CB1 & CB2)	2
53	E-2752-2	COVER - TERMINAL BLOCK	3
88	S-1781-197	LABEL - GRND SYMBOL, PRIMARY	1
105	H-7324-#10	WASHER, #10 INT. TOOTHLOCK	6
106	H-6910-403	SCREW, #1/4-20NC X 3/8" BUT HD CAP	13
107	H-7324-8	WASHER, 1/4 INT. TOOTHLOCK	13
108	H-6910-44003	SCREW, #4-40NC X 3/8" BUT HD CAP	4
109	S-1694	TY-WRAP - (NOT SHOWN)	10
110	E-1584-52	LABEL - TRANSFORMER, "T2"	1
111	E-1584-53	LABEL - TRANSFORMER, "T3"	1
112	E-1584(-)	LABEL - ASM. NO./REV. LEVEL	1
113	S-1781-35	LABEL - CAUTION, ELEC. DANGER	4
114	S-1781-42	LABEL - GRND SYMBOL, SECONDARY	1
115	E-3264-4	CIRCUIT BREAKER - 3A, (CB5)	1
116	E-3558	JUMPER BAR - CIRCUIT BREAKER, 4 POS	1
117	EE-3563	WIRE ASM - CUT LIST	1
120	H-6910-44006	SCREW, #1/4-20NC X 3/8" BUT HD CAP	17
121	H-6910-63203	SCREW, #6-32NC X 3/8" BUT HD CAP	14
122	H-6423-#6	NUT, #6-32NC HEX (KEP STYLE)	12
123	H-6910-83203	SCREW, #8-32NC X 3/8" BUT HD CAP	29
124	H-7324-#8	WASHER, #8 INT. TOOTHLOCK	28
125	H-6910-102403	SCREW, #10-24NC X 3/8" BUT HD CAP	6
130	E-3264-7	CIRCUIT BREAKER - 6A, (CB7)	1

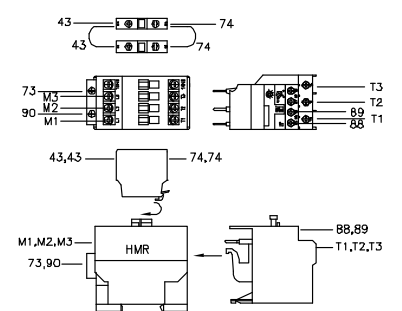
PL 5.29 Power Panel EE-3554 (2/2)

Wiring Detail

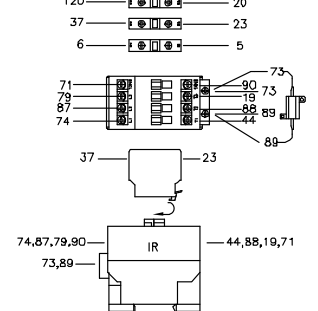


No.	Part Number	Description	Qty.
53	EE-3539	CABLE ASM. - 3 COLOR STATUS LIGHT	1
54	EE-3536-6	CABLE ASM. - (REAR) LED TABLE LITE "RL"	1
55	EE-3562	CABLE ASM. - CONVEYOR MOTOR "OUT"	1
56	EE-3530-6	CABLE ASM. - SOLENOID, UNLOAD VALVE	1
57	EE-3530-4	CABLE ASM. - SOLENOID, SIDE CUT VALVE	1
58	EE-3530-3	CABLE ASM. - SOLENOID, HYD. FLOW VALVE	1
59	EE-3536-5	CABLE ASM. - LED LITE (BAR CODE READER)	1
60	EE-3536-7	CABLE ASM. - LED LITE (RH/LH) SIDE KNIVES	1
61	EE-3497-3	CABLE ASM. - GR. MOTOR POWER (LINEAR)	1
62	EE-3498	CABLE ASM. - GR. MOTOR SIGNAL (LINEAR)	1
63	EE-3497-4	CABLE ASM. - SIDE KNIVES MOTOR POWER	1
64	EE-3498-3	CABLE ASM. - SIDE KNIFE MOTOR SIGNAL	1
65	EE-3556	CABLE ASM. - CONTROL CONSOLE POWER	1
66	EE-2991-1	CABLE ASM. - BOOK IN GR. PROX. (FLEX)	1
67	EE-2466-7	CABLE ASM. - COOLING FAN PLUG	2
68	EE-3460	CABLE ASM. - CONTROL CONSOLE "CAN"	1
69	EE-3460-2	CABLE ASM. - ACCESSORY "CAN"	1
70	EE-2838-5	CABLE ASM. - REG. MOTOR ENCODER	1
71	EE-2949-10	CABLE ASM. - REG. MOTOR POWER "RM"	1
72	EE-2961-25	CABLE ASM. - EXHAUST FAN PLUG	1
73	EE-3534-1	CABLE ASM. - FRONT START/STOP SW.'S	1
74	EE-3534-2	CABLE ASM. - REAR START/STOP SW.'S	1
75	EE-3555-1	CABLE ASM. - BOOK THICKNESS SENSOR	1
76	EE-3538-3	CABLE ASM. - CMT ACCESSORY POWER	2
77	EE-3531-1 (#1)	PLUG ASM. - AIR, LEFT JOG OUT	1
78	EE-3531-2 (#2)	PLUG ASM. - AIR, GRIPPER CLAMP ON	1
79	EE-3531-3 (#3)	PLUG ASM. - AIR, SIDE KNIFE LOCK	1
80	EE-3531-4 (#5)	PLUG ASM. - AIR, CENTER CLAMP	1
81	EE-3531-5 (#6)	PLUG ASM. - AIR, GRIPPER LIFT UP	1
82	EE-3531-25 (#7A)	PLUG ASM. - AIR, COVER BLAST	1
83	EE-3531-8 (#8)	PLUG ASM. - AIR, KN LATCH IN/HYD MOTOR	1
84	EE-3531-9 (#9)	PLUG ASM. - AIR, KNIFE BLAST ON	1
85	EE-3531-26 (#10A)	PLUG ASM. - AIR, REGISTRATION PLATE OUT	1
86	EE-3531-24 (#10B)	PLUG ASM. - AIR SOL, BOOK LIFT BLAST	1
87	EE-3531-27 (#11)	PLUG ASM. - AIR SOL., BOOK GATE OUT	1
89	EE-3541-16	PHOTO SWITCH ASM. - BOOK ENTERING CMT	1
90	EE-3541-17	PHOTO SWITCH ASM. - BOOK WIDTH	1
91	EE-3541-18	PHOTO SWITCH ASM. - GRIPPER POSITION	1
92	EE-3535-1	MAG. POSITION SW. ASM. - LEFT JOG IN	1
93	EE-3535-2	MAG. POSITION SW. ASM. - FACE JOG	1
94	EE-3532-4	PROX. ASM. - FACE KNIFE UP, (N.O.) SQ	1
95	EE-3532-5	PROX. ASM. - SIDE KNIVES UP, (N.O.) SQ	1
96	EE-3532-6	PROX. ASM. - SIDE KNIVES PRESET, (N.O.) SQ	1
97	EE-3533-7	PROX. ASM. - FACE KNIFE SLOW DOWN (F2)	1
98	EE-3533-8	PROX. ASM. - SIDE KNIVES SLOW DOWN	1
99	EE-3533-9	PROX. ASM. -FACE KNIFE LATCH, (FL) RD	1
100	EE-3533-10	PROX. ASM. - SIDE KNIVES LATCH, (SL) RD	1
101	EE-3533-11	PROX. ASM. - CENTER CLAMP (CC)	1
102	EE-3533-12	PROX. ASM. - REGISTRATION PRESET (S)	1
103	EE-2969	CONDUIT ASM. - HYDRAULIC MOTOR	1
104	E-1758-1	SOCKET - SOLENOID (FOR JOG PRESSURE)	1
118	E-2756-6	FILTER - FERRITE CORE, LG	2
119	E-2756-9	FILTER - FERRITE CORE, SM	12
126	EE-3530-5	CABLE ASM. - SOLENOID, FACE CUT VALVE	1
127	EE-3562-1	CABLE ASM. - CONVEYOR MOTOR "IN"	1
128	EE-3536-8	CABLE ASM. - FRONT TABLE LED LITES	1
129	EE-3531-28 (#12)	PLUG ASM. - AIR SOL., FACE JOG	1
131	EE-3541-19	PHOTO SW. ASM. - WASTE BIN, REAR TRIM	1
132	EE-3541-20	PHOTO SW. ASM. - WASTE BIN, RT SIDE TRIM	1
133	EE-3541-21	PHOTO SW. ASM. - WASTE BIN, LF SIDE TRIM	1

"HMR" RELAY WIRING DETAIL

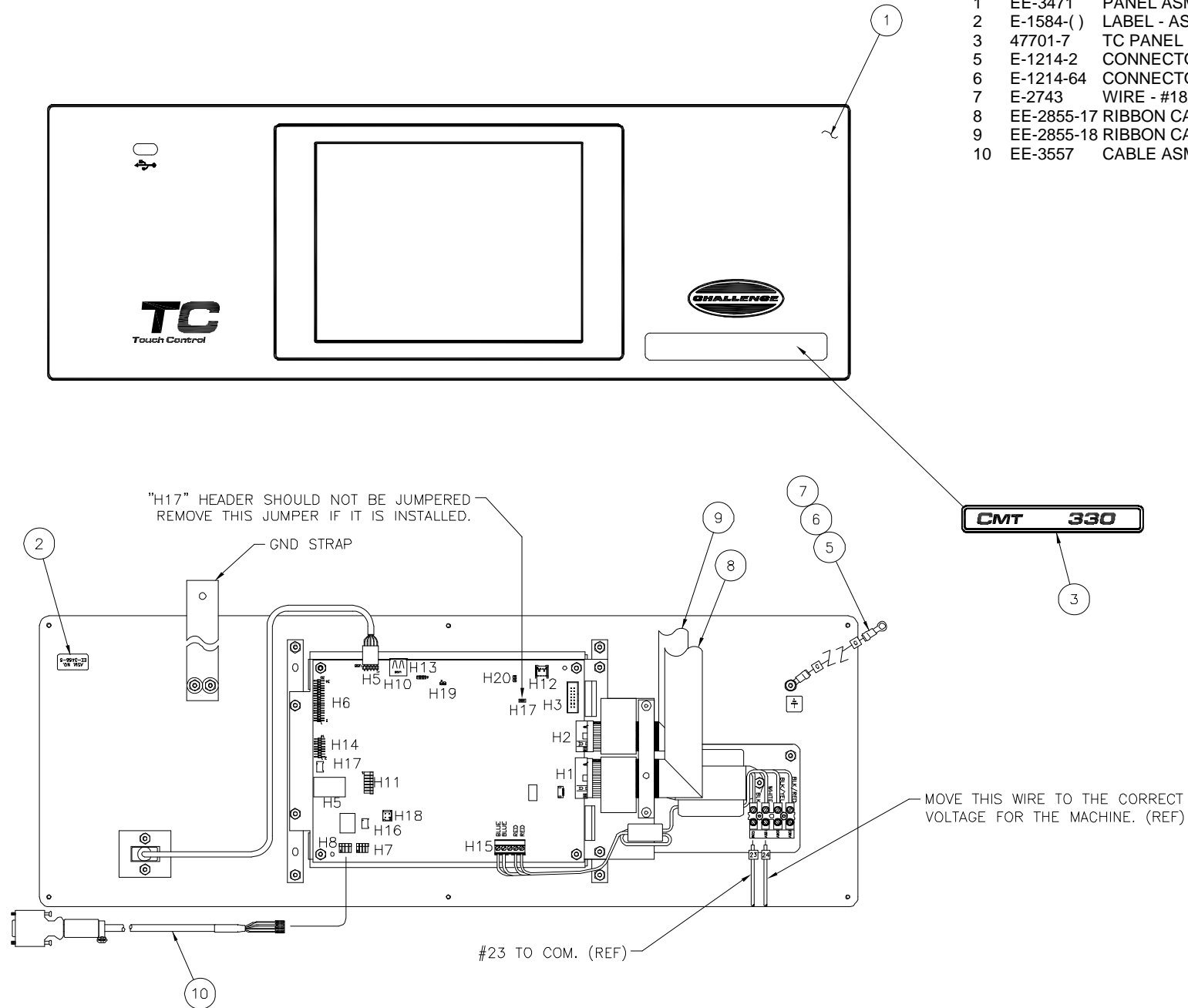


"IR" RELAY WIRING DETAIL

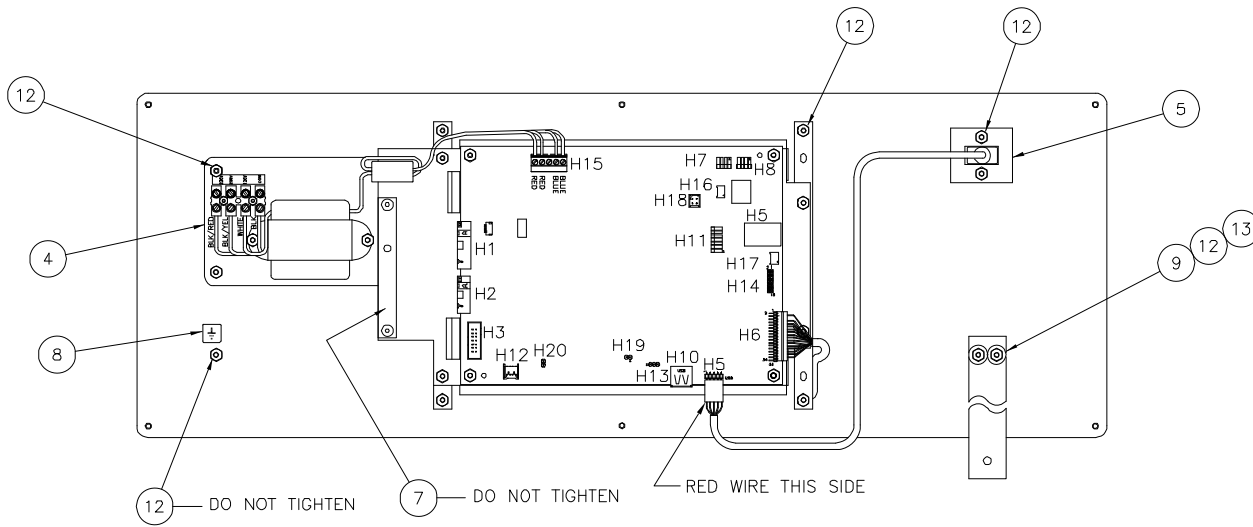


PL 5.30 Control Console EE-3456-5

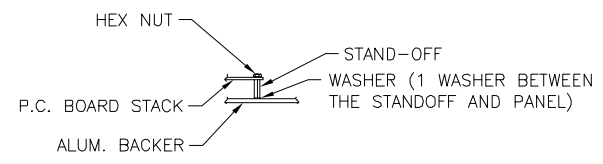
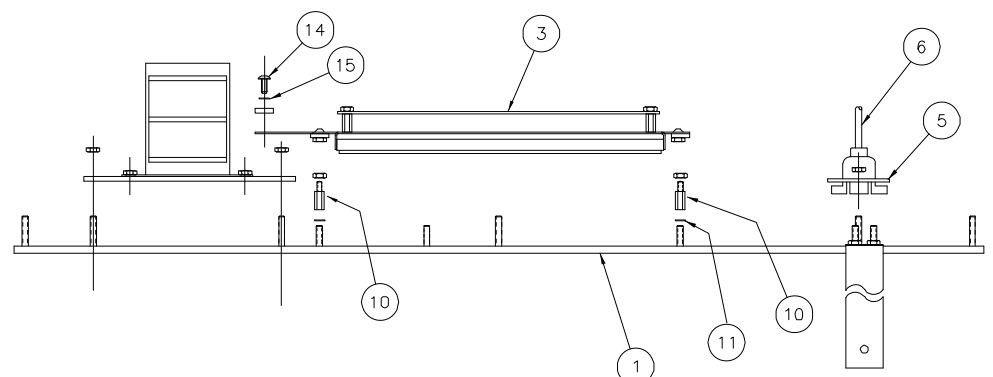
No.	Part No.	Description	Qty.
1	EE-3471	PANEL ASM. - FRONT CONTROL, TC	1
2	E-1584-()	LABEL - ASM. NO./REV. LEVEL	1
3	47701-7	TC PANEL INSERT - CMT-330 TC	1
5	E-1214-2	CONNECTOR - #6 INS. RING	1
6	E-1214-64	CONNECTOR - 1/4" NON-INS. RING	1
7	E-2743	WIRE - #18 GA. Y/GR MTW 27" LONG	1
8	EE-2855-17	RIBBON CABLE - 20 POS., 100"	1
9	EE-2855-18	RIBBON CABLE - 14 POS., 100"	1
10	EE-3557	CABLE ASM. - BARCODE JUMPER	1



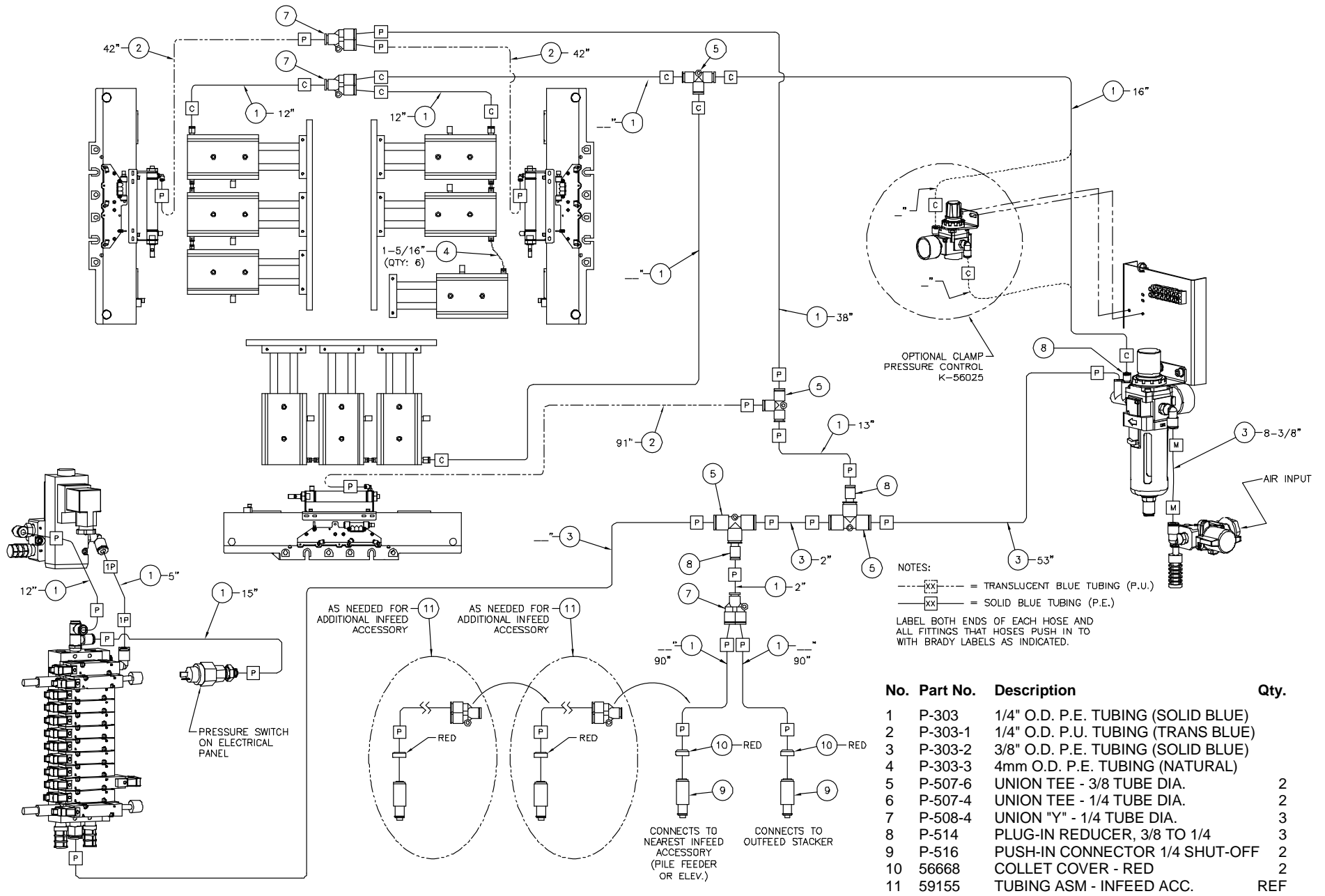
PL 5.31 Panel Assembly EE-3471



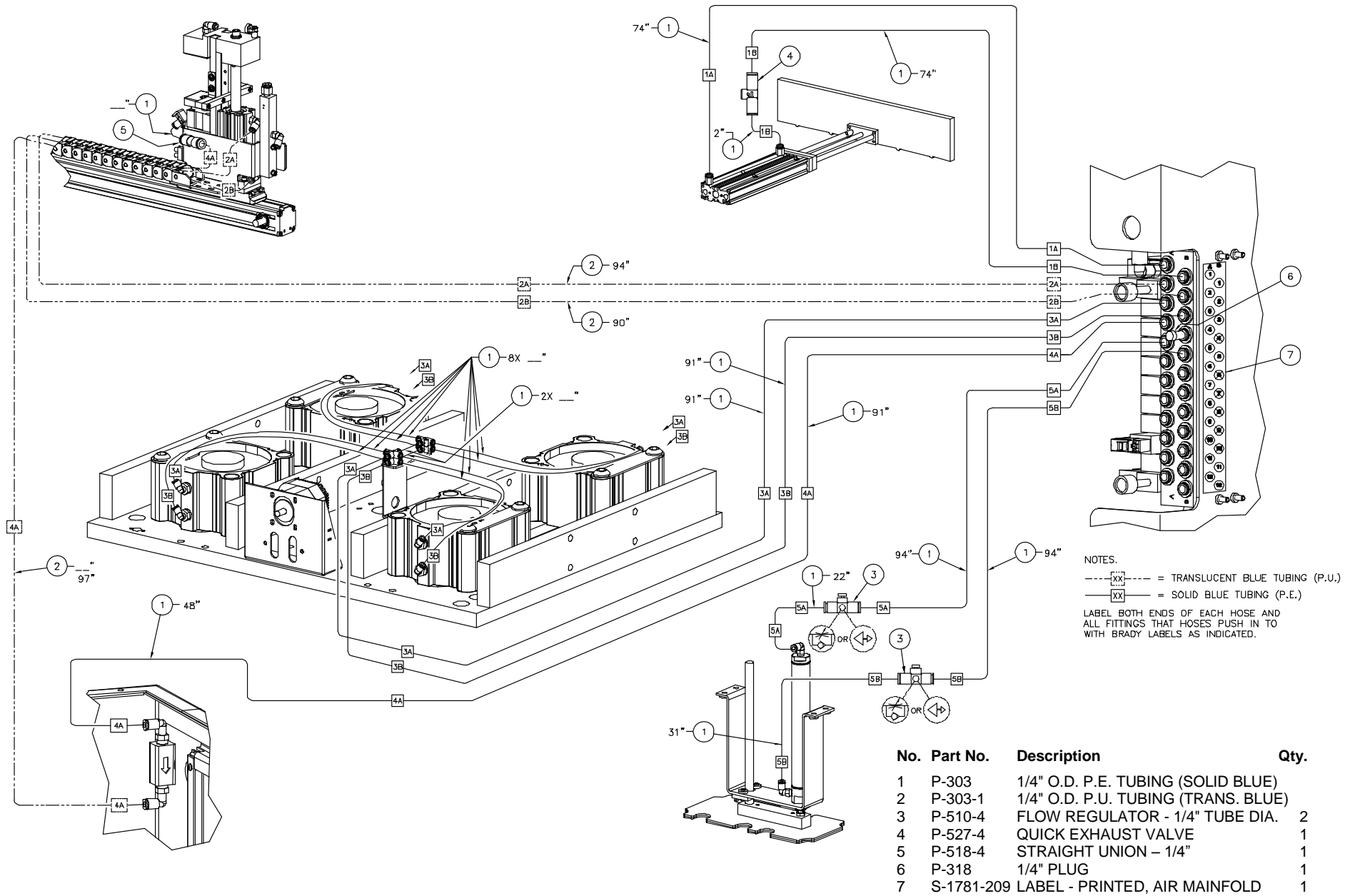
No.	Part No.	Description	Qty.
1	47700	CONSOLE - CONTROL, TC	1
2	EE-3480	FLASH DRIVE - PROGRAMMED	1
3	EE-3457	DISPLAY ASM - TOUCH CONTROL	1
4	EE-2920-2	TRANSFORMER ASM.	1
5	E-3215	BRACKET - USB PORT	1
6	E-3203-1	CABLE - BULKHEAD TO USB	1
7	43066	STRAIN RELIEF - RIBBON CABLE	1
8	S-1781-42	LABEL - GROUND SYMBOL	1
9	EE-3512	COPPER STRAP - GROUNDING	1
10	E-1152-56	SPACER - 1/2" LONG	4
11	H-7321-#6	WASHER - #6 SAE. FLAT	4
12	H-6423-#6	NUT - #6-32 HEX	13
13	H-7321-#10	WASHER - #10 SAE. FLAT	2
14	H-6910-83203	SCREW - #8-32 X 3/8 BUT HD CAP	2
15	H-7321-#8	WASHER - #8 SAE. FLAT	2



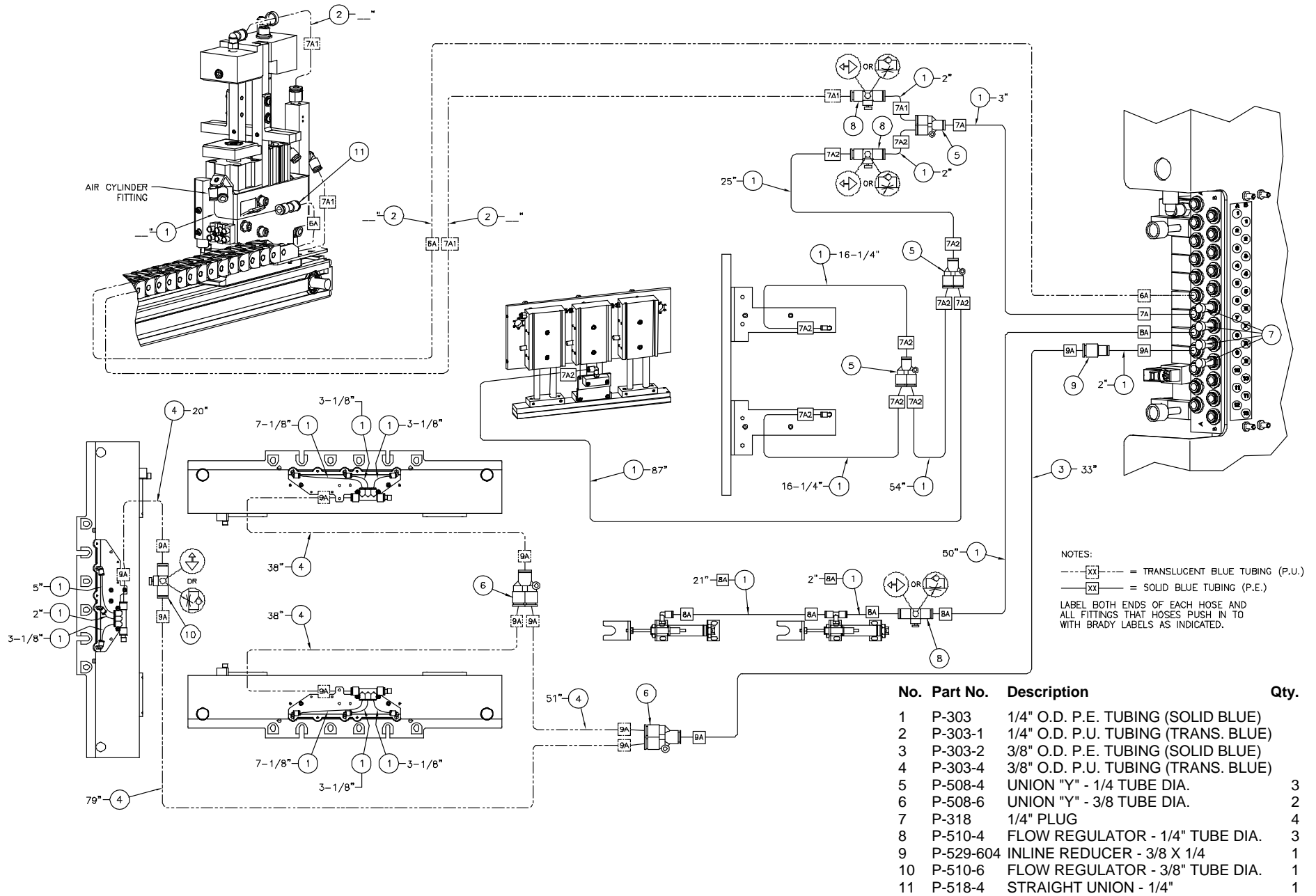
PL 5.32 Pneu. Diag. 5600TCA-P (1/4)



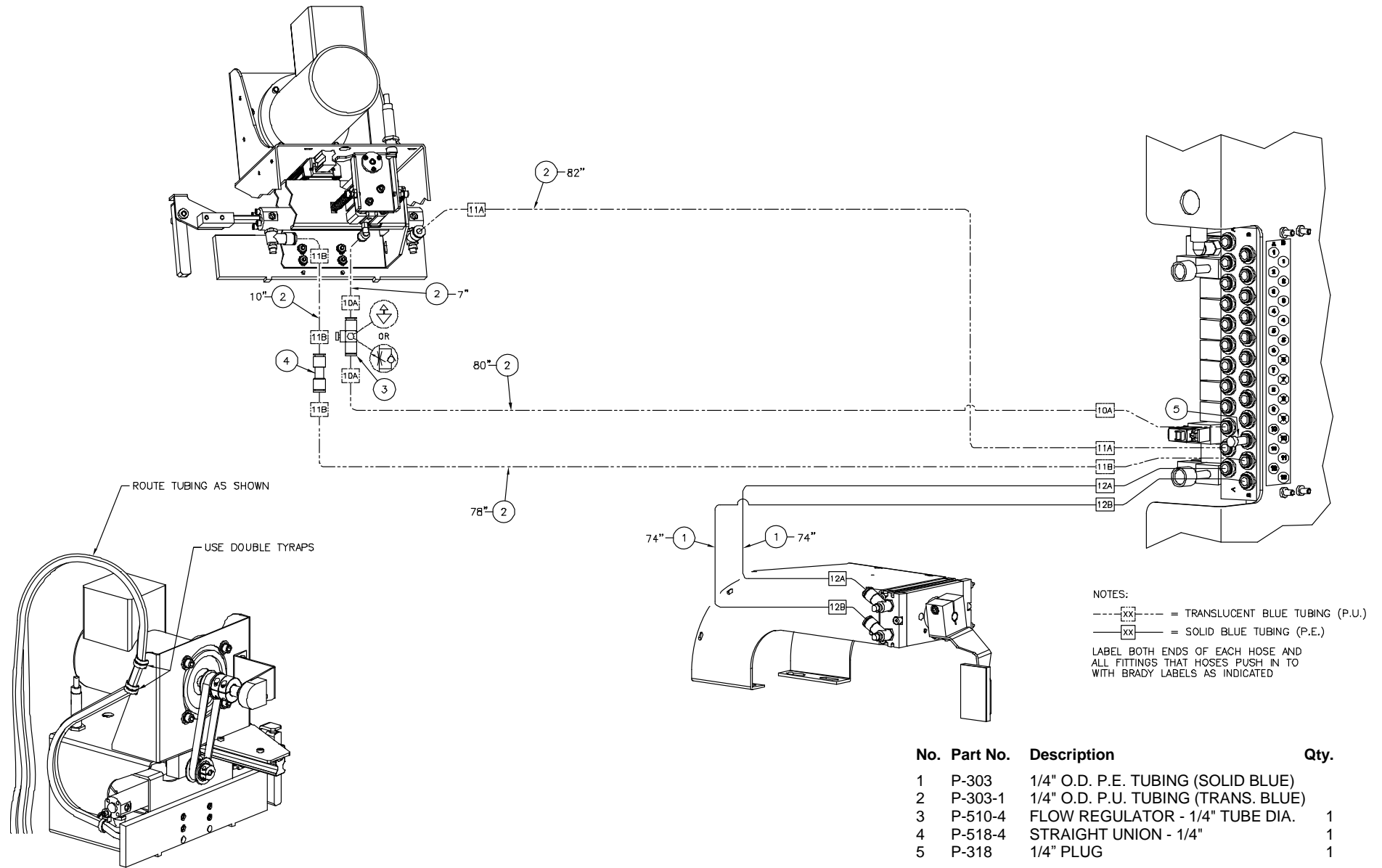
PL 5.33 Pneu. Diag. 5600TCA-P (2/4)



PL 5.34 Pneu. Diag. 56000TCA-P (3/4)

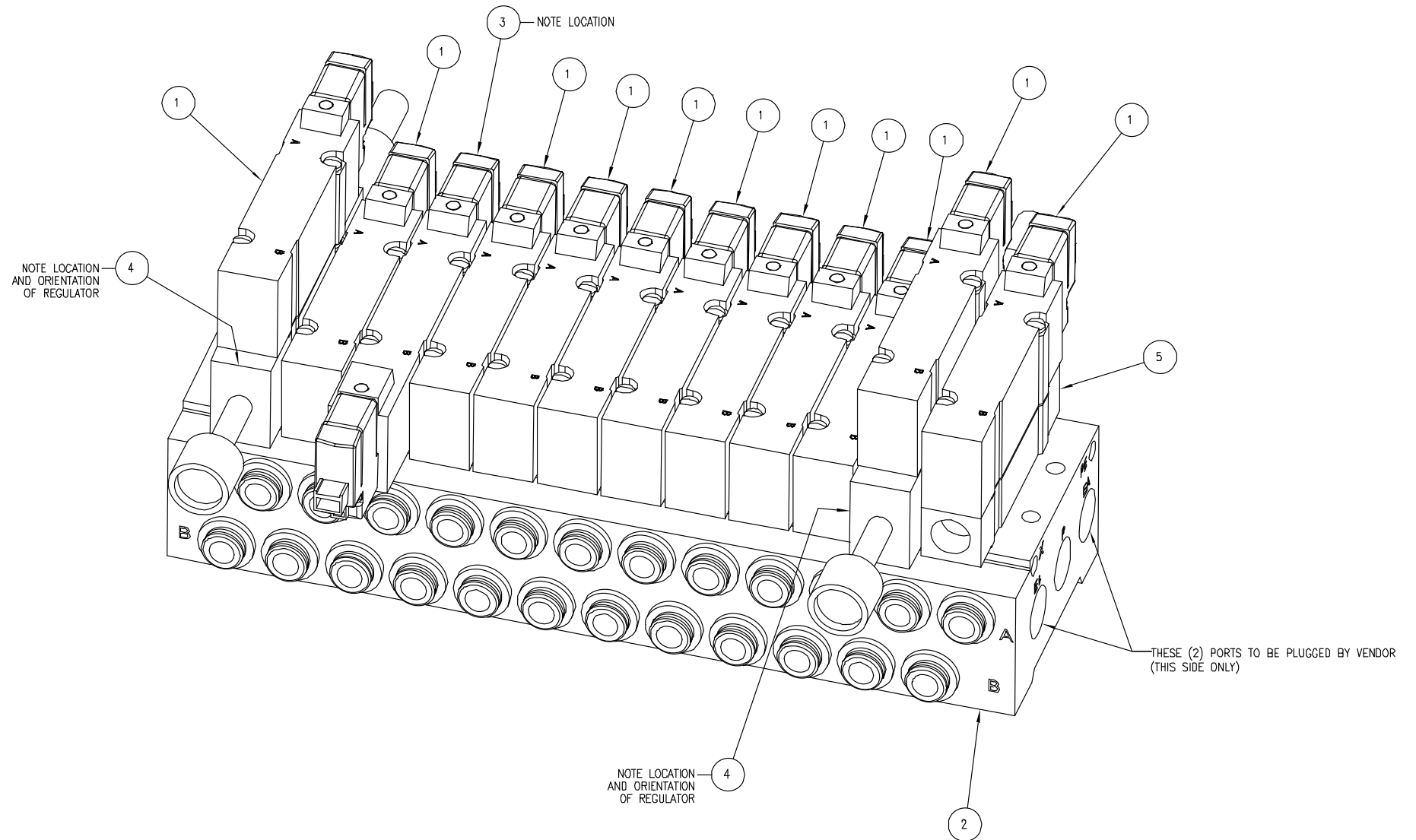


PL 5.35 Pneu. Diag. 56000TCA-P (4/4)



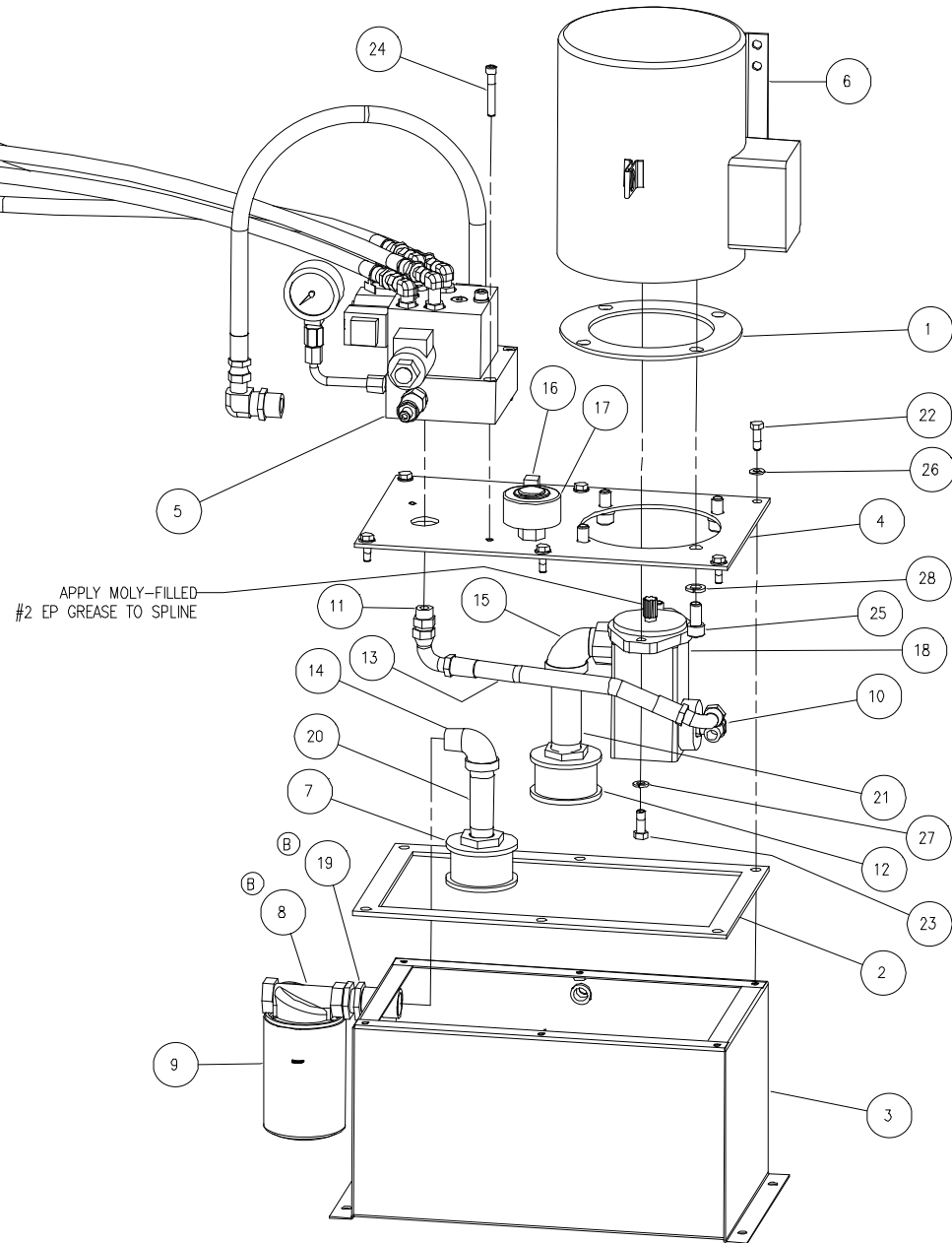
PL 5.36 Pneu. Manifold Asm. 56010-2

No.	Part Number	Description	Qty.
1	56009	VALVE - 2 POSITION	11
2	56010-2-M	MANIFOLD - 12 STATION	1
3	56011	VALVE - 3 POS., EXH. CENTER	1
4	56012	REGULATOR - MANIFOLD	2
5	56013	INDIVIDUAL SUPPLY SPACER	1



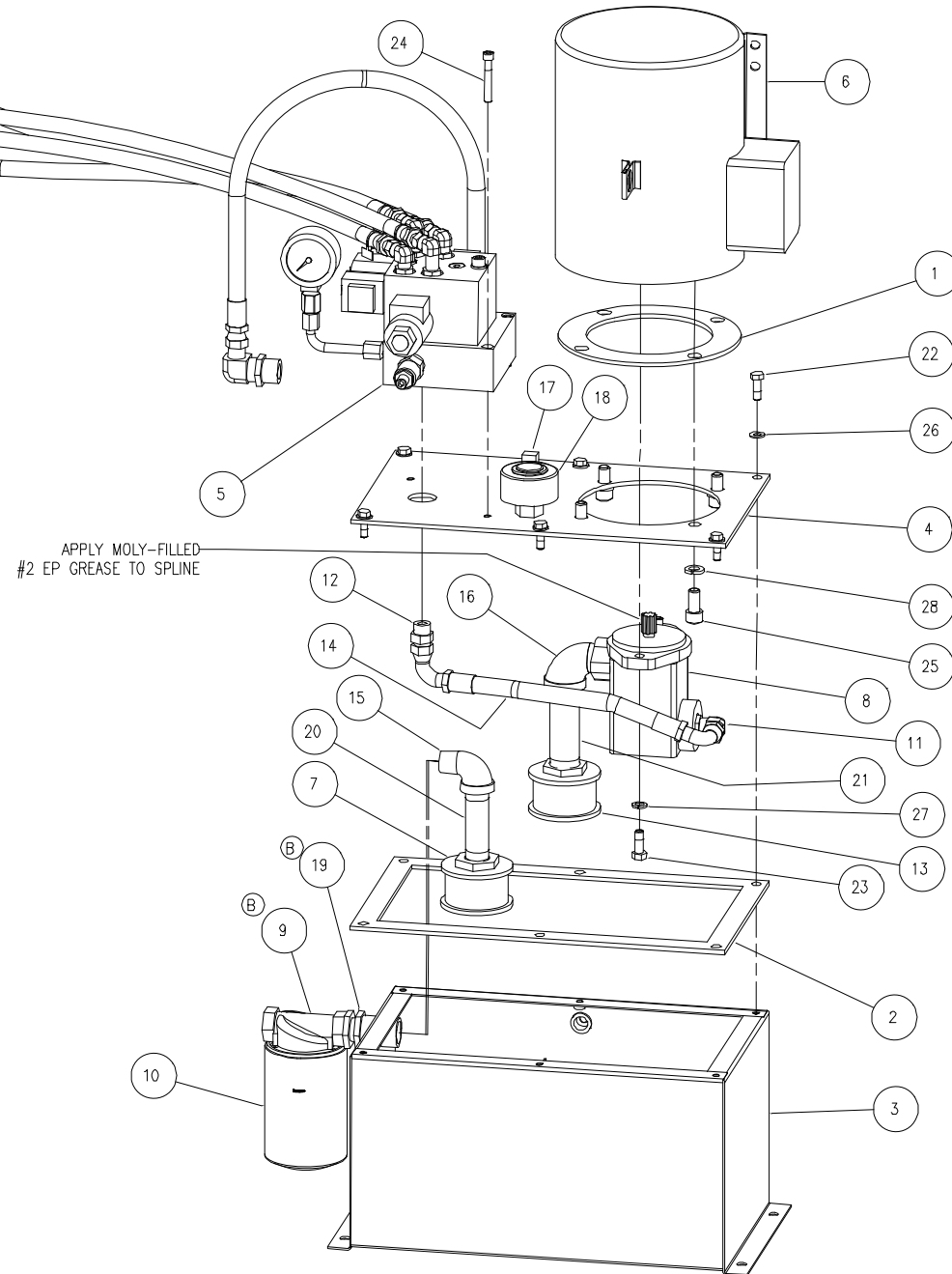
PL 5.37 Hydraulic Power Unit – 60Hz 56700

No.	Part Number	Description	Qty.
1	13946	GASKET	1
2	13947	TANK GASKET	1
3	44104	HYDRAULIC TANK	1
4	44105	TANK COVER	1
5	56702	MANIFOLD ASSEMBLY	1
6	E-1600-181	MOTOR - 60 HZ	1
7	H-338	DIFFUSER	1
8	H-226-2	FILTER HEAD- 'O' RING PORTS	1
9	H-227-1	FILTER	1
10	H-230-4	ELBOW- ORING TO TUBE	1
11	H-236-4	ADAPTER - 'O' RING TO TUBE	1
12	H-238-4	STRAINER	1
13	H-242-60	HYD. HOSE	1
14	H-248-1	ELBOW - 90° STREET	1
15	H-248-2	ELBOW - 90° STREET	1
16	H-270-8	PLUG- NPT	1
17	H-287-2	BREATHER CAP	1
18	H-387-3	PUMP	1
19	H-434-1	CONNECTOR - ORING TO ORING	1
20	H-6405-1232	NIPPLE - 3/4" X 4"	1
21	H-6405-1640	NIPPLE - 1" X 5"	1
22	H-6913-508	SCREW - 5/16-18 X 1 HEX HD	6
23	H-6913-608	SCREW - 3/8-16 X 1 HEX HD	2
24	H-6918-516	SCREW - 5/16-18 X 2 SOC HD	3
25	H-6918-808	SCREW - 1/2-13 X 1 SOC HD	4
26	H-7321-5	WASHER - 5/16 SAE PLAIN	6
27	H-7327-12	WASHER - 3/8 MEDIUM LOCK	2
28	H-7327-16	WASHER - 1/2 MEDIUM LOCK	4

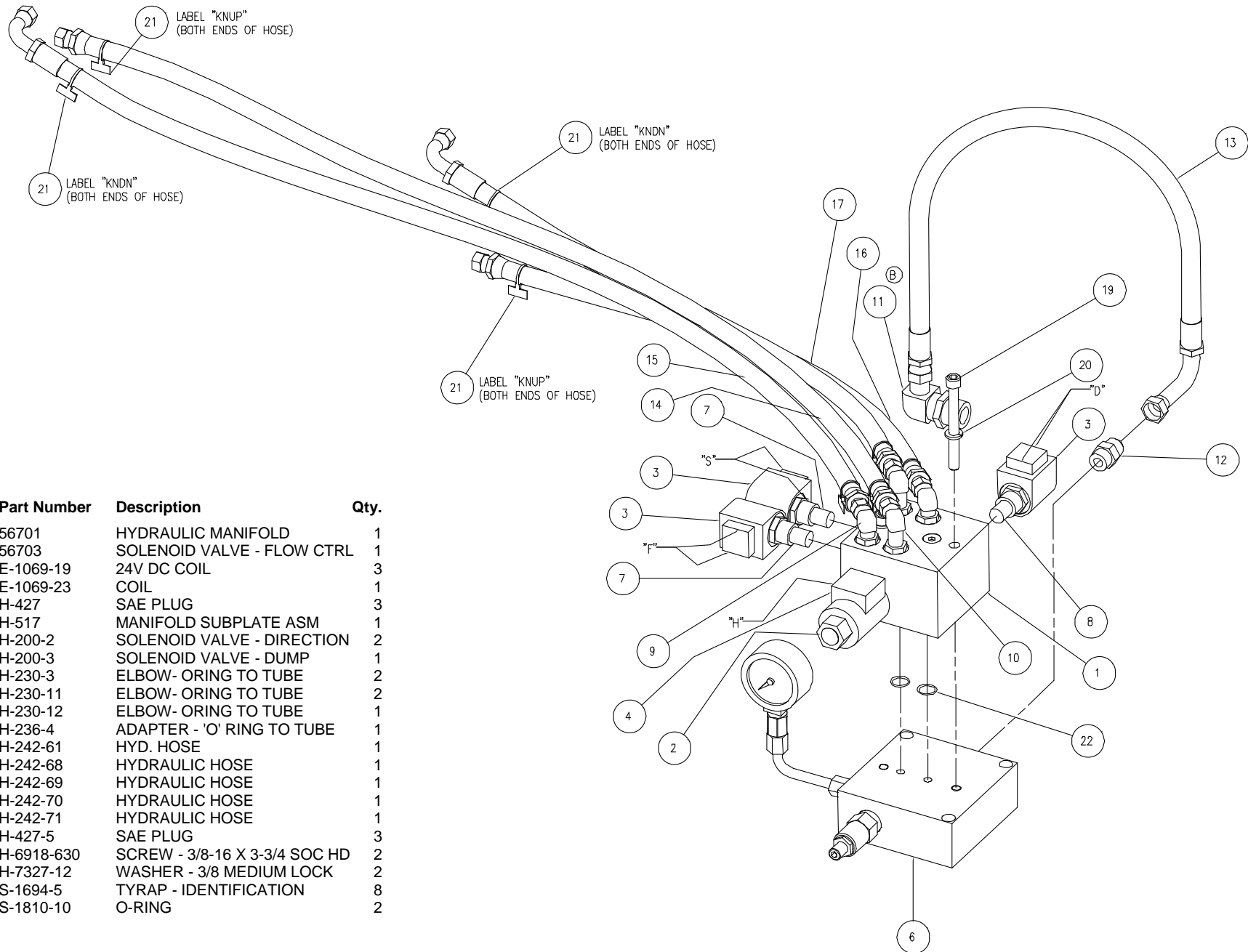


PL 5.38 Hydraulic Power Unit – 50Hz 56700-1

No.	Part Number	Description	Qty.
1	13946	GASKET	1
2	13947	TANK GASKET	1
3	44104	HYDRAULIC TANK	1
4	44105	TANK COVER	1
5	56702	MANIFOLD ASSEMBLY	1
6	E-1600-183	MOTOR - 50 HZ	1
7	H-338	DIFFUSER	1
8	H-387	PUMP-HYDRAULIC (5 GPM)	1
9	H-226-2	FILTER HEAD- 'O' RING PORTS	1
10	H-227-1	FILTER	1
11	H-230-4	ELBOW- ORING TO TUBE	1
12	H-236-4	ADAPTER - 'O' RING TO TUBE	1
13	H-238-4	STRAINER	1
14	H-242-60	HYD. HOSE	1
15	H-248-1	ELBOW - 90° STREET	1
16	H-248-2	ELBOW - 90° STREET	1
17	H-270-8	PLUG- NPT	1
18	H-287-2	BREATHER CAP	1
19	H-434-1	CONNECTOR - ORING TO ORING	1
20	H-6405-1232	NIPPLE - 3/4" X 4"	1
21	H-6405-1640	NIPPLE - 1" X 5"	1
22	H-6913-508	SCREW - 5/16-18 X 1 HEX HD	6
23	H-6913-608	SCREW - 3/8-16 X 1 HEX HD	2
24	H-6918-516	SCREW - 5/16-18 X 2 SOC HD	3
25	H-6918-808	SCREW - 1/2-13 X 1 SOC HD	4
26	H-7321-5	WASHER - 5/16 SAE PLAIN	6
27	H-7327-12	WASHER - 3/8 MEDIUM LOCK	2
28	H-7327-16	WASHER - 1/2 MEDIUM LOCK	4



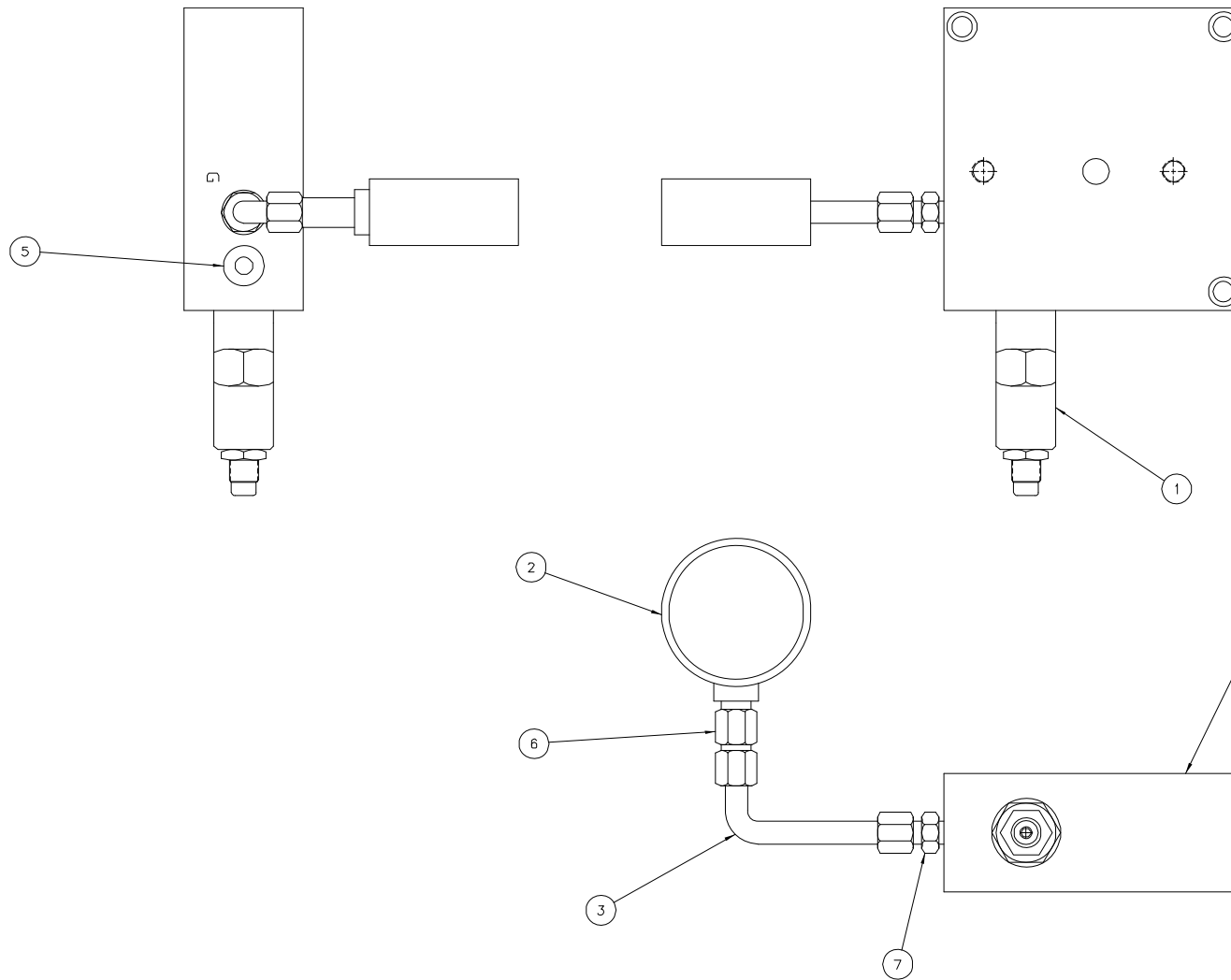
PL 5.39 Manifold Assembly 56702



No.	Part Number	Description	Qty.
1	56701	HYDRAULIC MANIFOLD	1
2	56703	SOLENOID VALVE - FLOW CTRL	1
3	E-1069-19	24V DC COIL	3
4	E-1069-23	COIL	1
5	H-427	SAE PLUG	3
6	H-517	MANIFOLD SUBPLATE ASM	1
7	H-200-2	SOLENOID VALVE - DIRECTION	2
8	H-200-3	SOLENOID VALVE - DUMP	1
9	H-230-3	ELBOW- ORING TO TUBE	2
10	H-230-11	ELBOW- ORING TO TUBE	2
11	H-230-12	ELBOW- ORING TO TUBE	1
12	H-236-4	ADAPTER - 'O' RING TO TUBE	1
13	H-242-61	HYD. HOSE	1
14	H-242-68	HYDRAULIC HOSE	1
15	H-242-69	HYDRAULIC HOSE	1
16	H-242-70	HYDRAULIC HOSE	1
17	H-242-71	HYDRAULIC HOSE	1
18	H-427-5	SAE PLUG	3
19	H-6918-630	SCREW - 3/8-16 X 3-3/4 SOC HD	2
20	H-7327-12	WASHER - 3/8 MEDIUM LOCK	2
21	S-1694-5	TYRAP - IDENTIFICATION	8
22	S-1810-10	O-RING	2

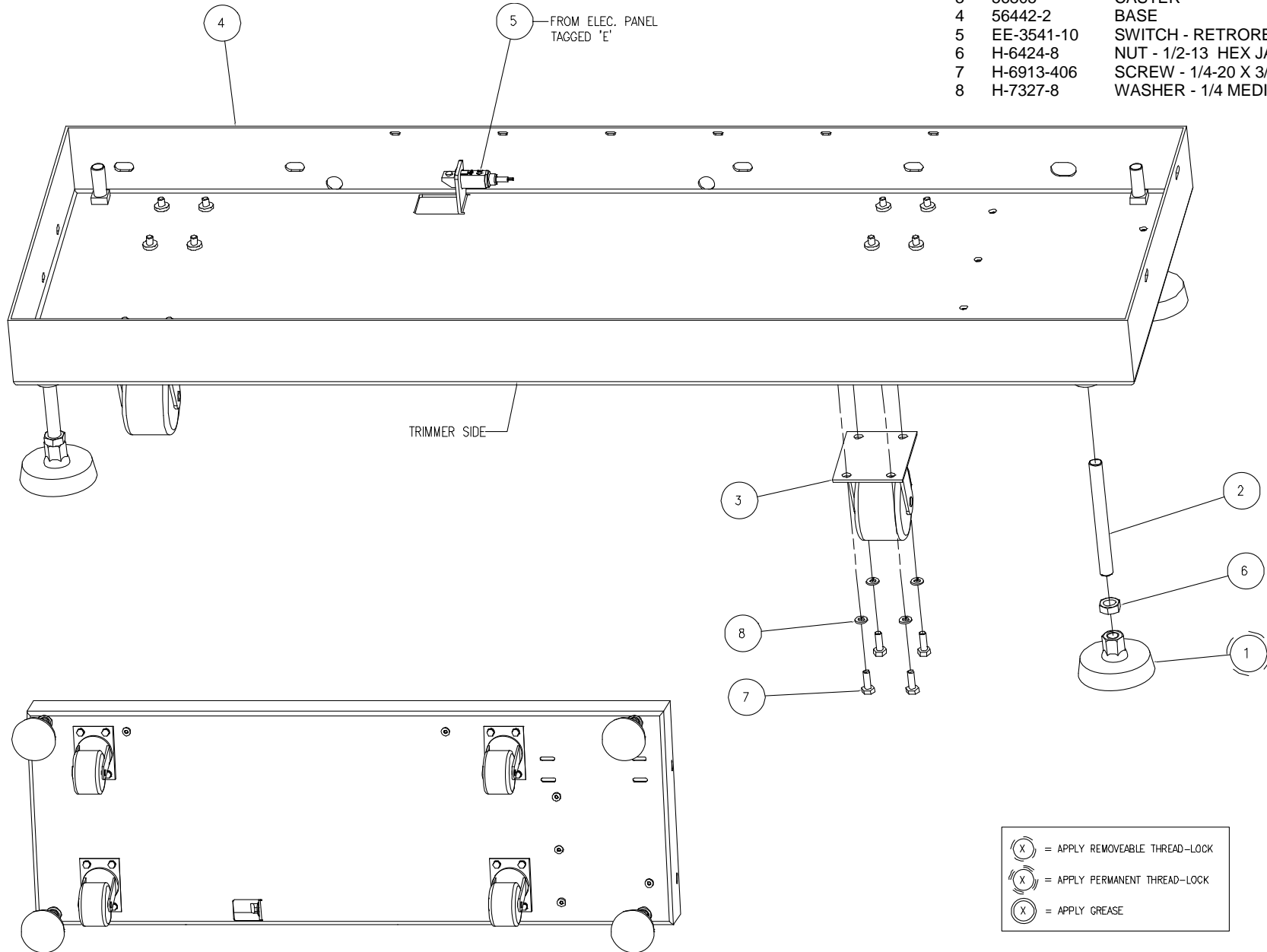
PL 5.41 Manifold Sub-Plate H-517

No.	Part Number	Description	Qty.
1	H-203-26	SYSTEM RELIEF VALVE	1
2	8P-629-3	GAGE - 0-3000 PSI	1
3	H-518	TUBE ASM. - PRESSURE GAGE	1
4	DTS-0345-4	MANIFOLD SUBPLATE	1
5	H-427-5	PLUG - #6 "O" RING (9/16-18)	1
6	H-233-1	FITTING - NPT TO "O" RING	1
7	H-236-3	FTNG - #6 "O" RING TO #6 TUBE	1



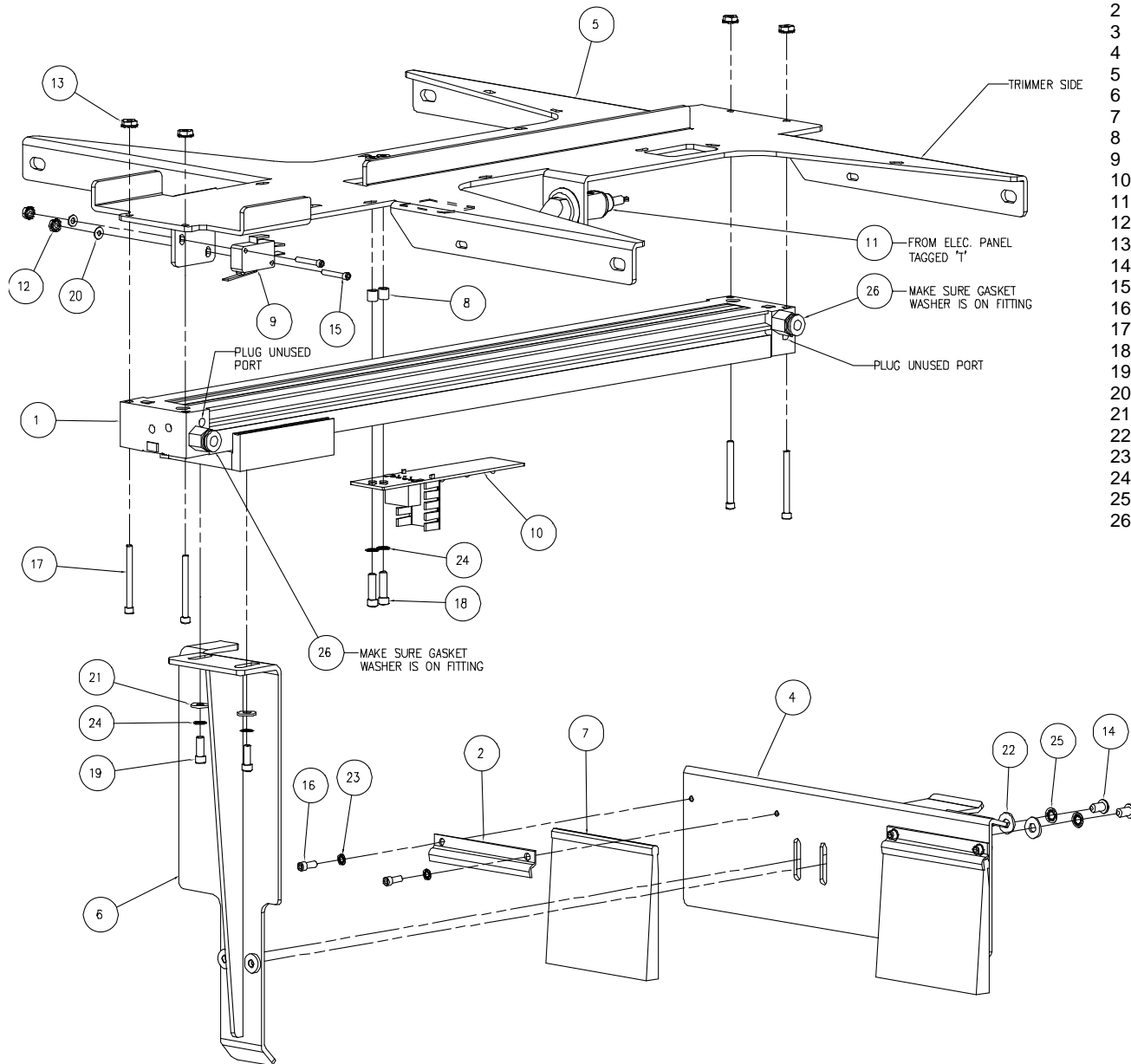
PL 5.42 Elevator 56431TCLA (1/7)

No.	Part Number	Description	Qty.
1	51036	FOOT	4
2	56456	THREADED ROD	4
3	56805	CASTER	4
4	56442-2	BASE	1
5	EE-3541-10	SWITCH - RETROREFLECTIVE REF	REF
6	H-6424-8	NUT - 1/2-13 HEX JAM	4
7	H-6913-406	SCREW - 1/4-20 X 3/4 HEX HD	16
8	H-7327-8	WASHER - 1/4 MEDIUM LOCK	16

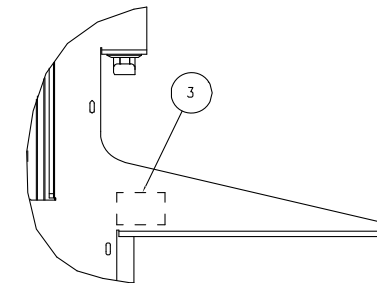


- (X) = APPLY REMOVEABLE THREAD-LOCK
- (X) = APPLY PERMANENT THREAD-LOCK
- (X) = APPLY GREASE

PL 5.43 Elevator 56431TCLA (2/7)



No.	Part Number	Description	Qty.
1	56451	RODLESS BAND CYLINDER	1
2	56491	BRUSH HOLDER	2
3	56180	REFL. TAPE - 1" W X 1-1/2" L	1
4	56417-1	PUSHER PLATE	1
5	56453-1	TOP PLATE	1
6	56455-1	PUSHER	1
7	56484-303	BRUSH	2
8	E-1152-9	STANDOFF	2
9	E-866-4	MICROSWITCH	1
10	EE-3502-1	LED LIGHT BOARD	1
11	EE-3541-11	SWITCH - RETROREFLECTIVE	REF
12	H-6423-#4	NUT - #4-40 HEX KEP	2
13	H-6423-#6	NUT - #6-32 HEX KEP	4
14	H-6910-102403	SCREW - #10-24 X 3/8 BUT HD	2
15	H-6918-44006	SCREW - #4-40 X 3/4 SOC HD	2
16	H-6918-63203	SCREW - #6-32 X 3/8 SOC HD	4
17	H-6918-63212	SCREW - #6-32 X 1-1/2 SOC HD	4
18	H-6918-83205	SCREW - #8-32 X 5/8 SOC HD	2
19	H-6918-M412	SCREW - M4 X 12MM SOC HD	2
20	H-7321-#4	WASHER - #4 SAE PLAIN	2
21	H-7321-#8	WASHER - #8 SAE PLAIN	2
22	H-7321-#10	WASHER - #10 SAE PLAIN	2
23	H-7324-#6	WASHER - #6 INT TOOTH	4
24	H-7324-#8	WASHER - #8 INT TOOTH	4
25	H-7324-#10	WASHER - #10 INT TOOTH	2
26	P-500-41032	STR FITTING-1/4 T X 10-32 UNF	2

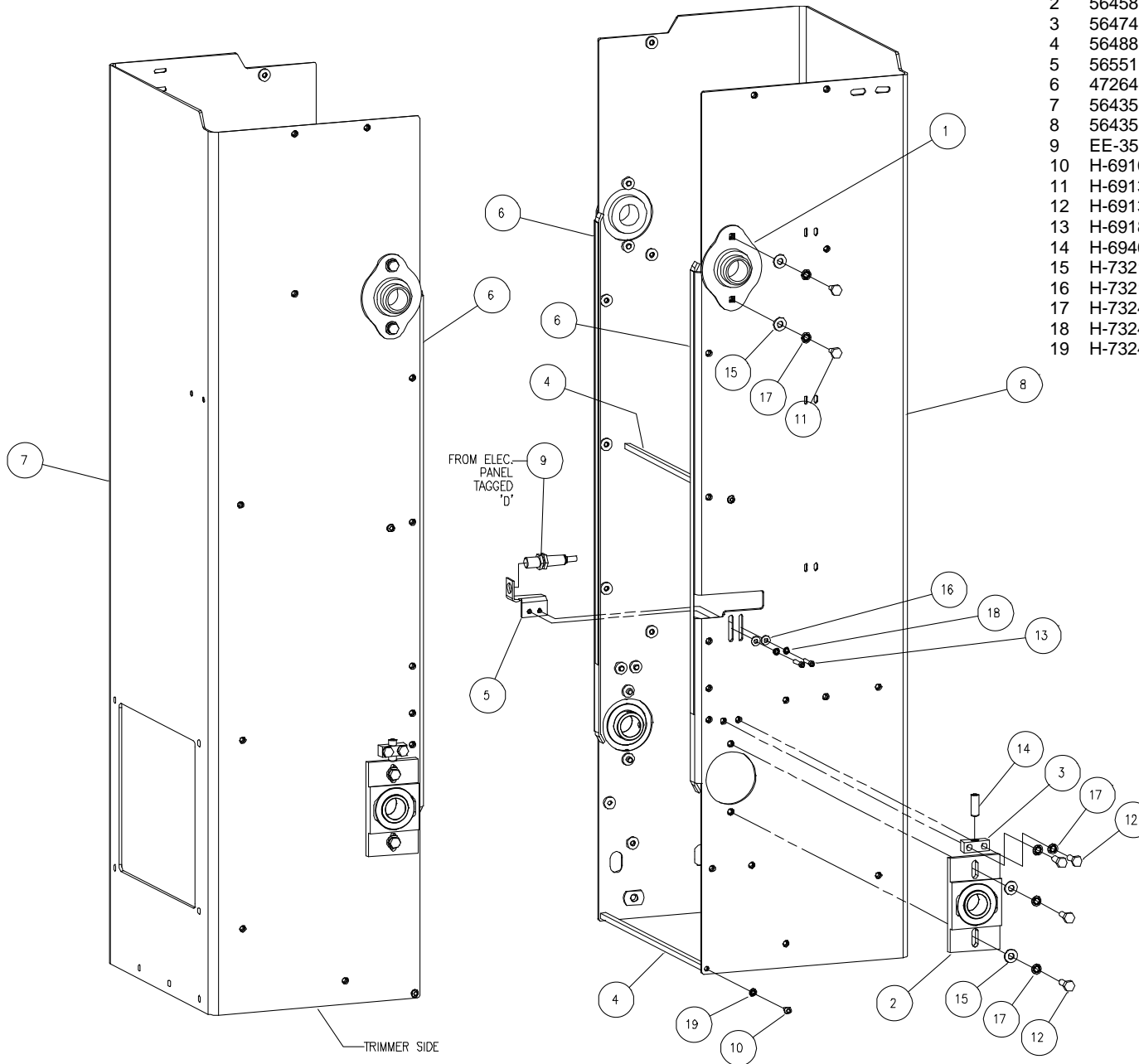


TOP VIEW
SCALE 0.250

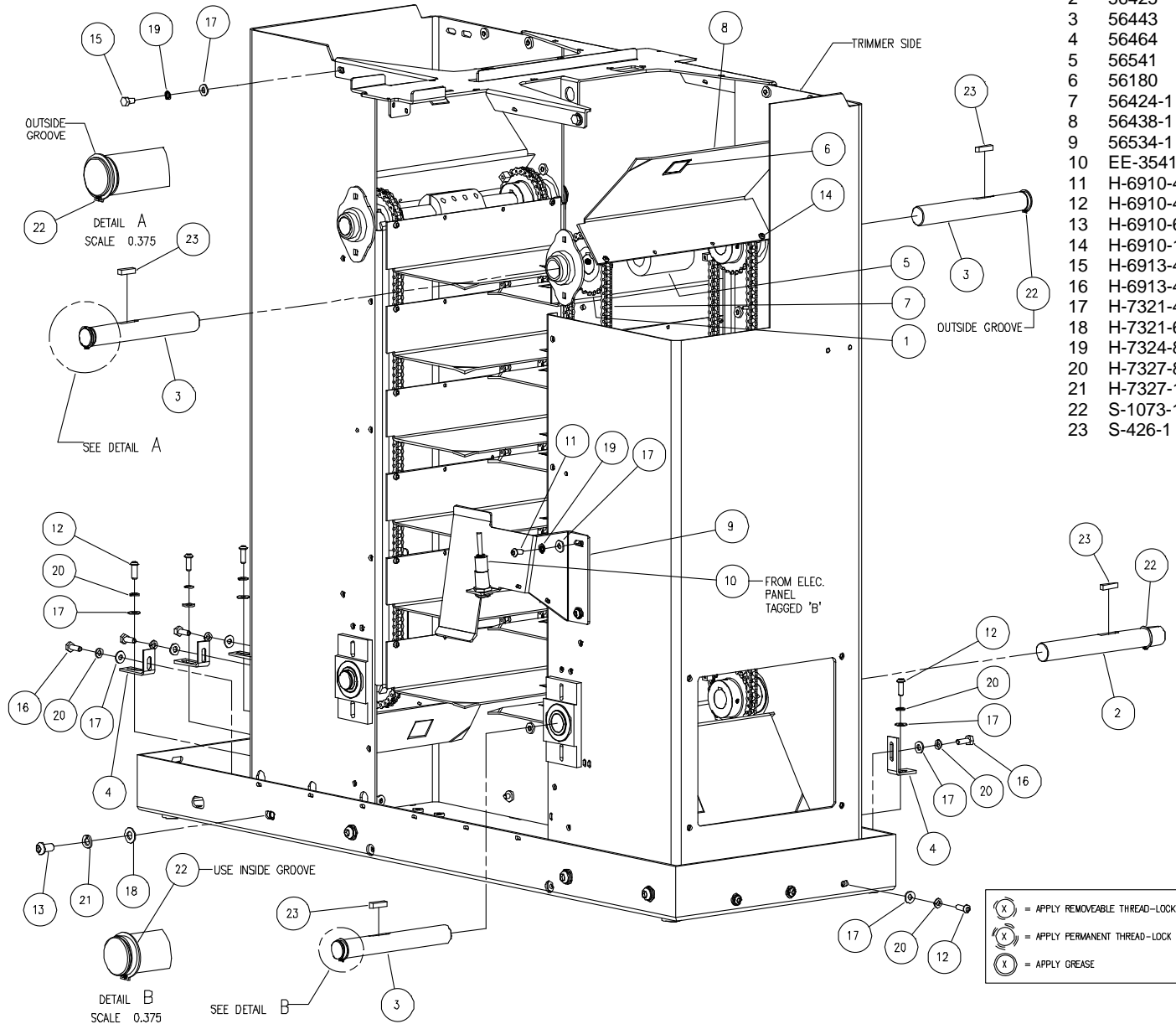
(X)	= APPLY REMOVEABLE THREAD-LOCK
(X)	= APPLY PERMANENT THREAD-LOCK
(X)	= APPLY GREASE

PL 5.44 Elevator 56431TCLA (3/7)

No.	Part Number	Description	Qty.
1	56439	FLANGE BEARING	4
2	56458	BEARING BLOCK ASSEMBLY	4
3	56474	TENSIONING BLOCK	4
4	56488	TIE BAR	4
5	56551	LIFT PLATE PROX. BRACKET	1
6	47264-2101	P.E. TAPE - .010 THK X 3/8 WIDE	4
7	56435-3	SIDE FRAME - RH	1
8	56435-4	SIDE FRAME - LH	1
9	EE-3533-5	PROX. ASM. - LIFT PLATE	REF
10	H-6910-102403	SCREW - #10-24 X 3/8 BUT HD	8
11	H-6913-404	SCREW - 1/4-20 X 1/2 HEX HD	8
12	H-6913-407	SCREW - 1/4-20 X 7/8 HEX HD	16
13	H-6918-83206	SCREW - #8-32 X 3/4 SOC HD	2
14	H-6940-616	SCREW - 3/8-16 X 1 FLAT PT SET	4
15	H-7321-4	WASHER - 1/4 SAE PLAIN	16
16	H-7321-#8	WASHER - #8 SAE PLAIN	2
17	H-7324-8	WASHER - 1/4 INT TOOTH	24
18	H-7324-#8	WASHER - #8 INT TOOTH	2
19	H-7324-#10	WASHER - #10 INT TOOTH	8

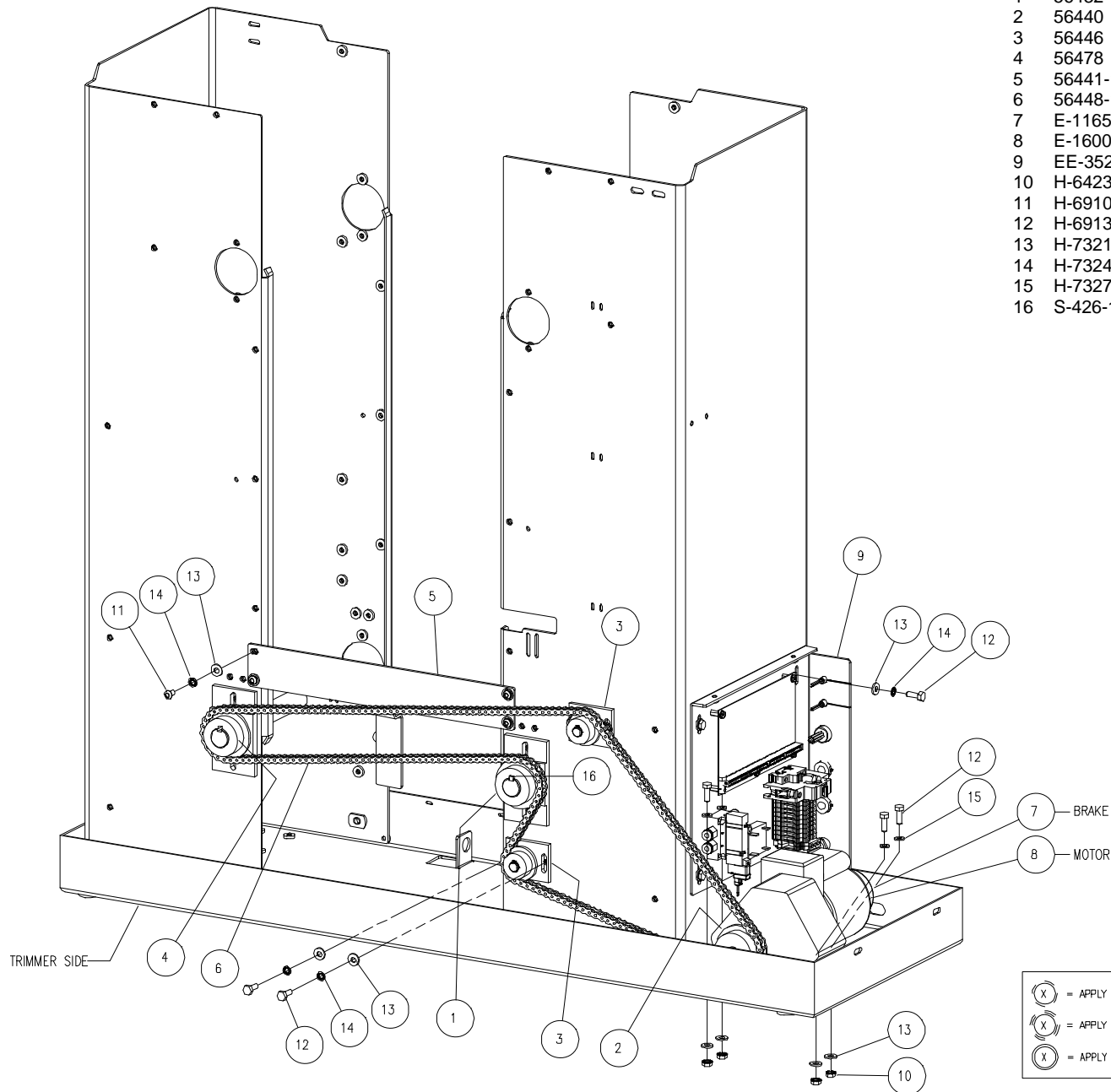


PL 5.45 Elevator 56431TCLA (4/7)



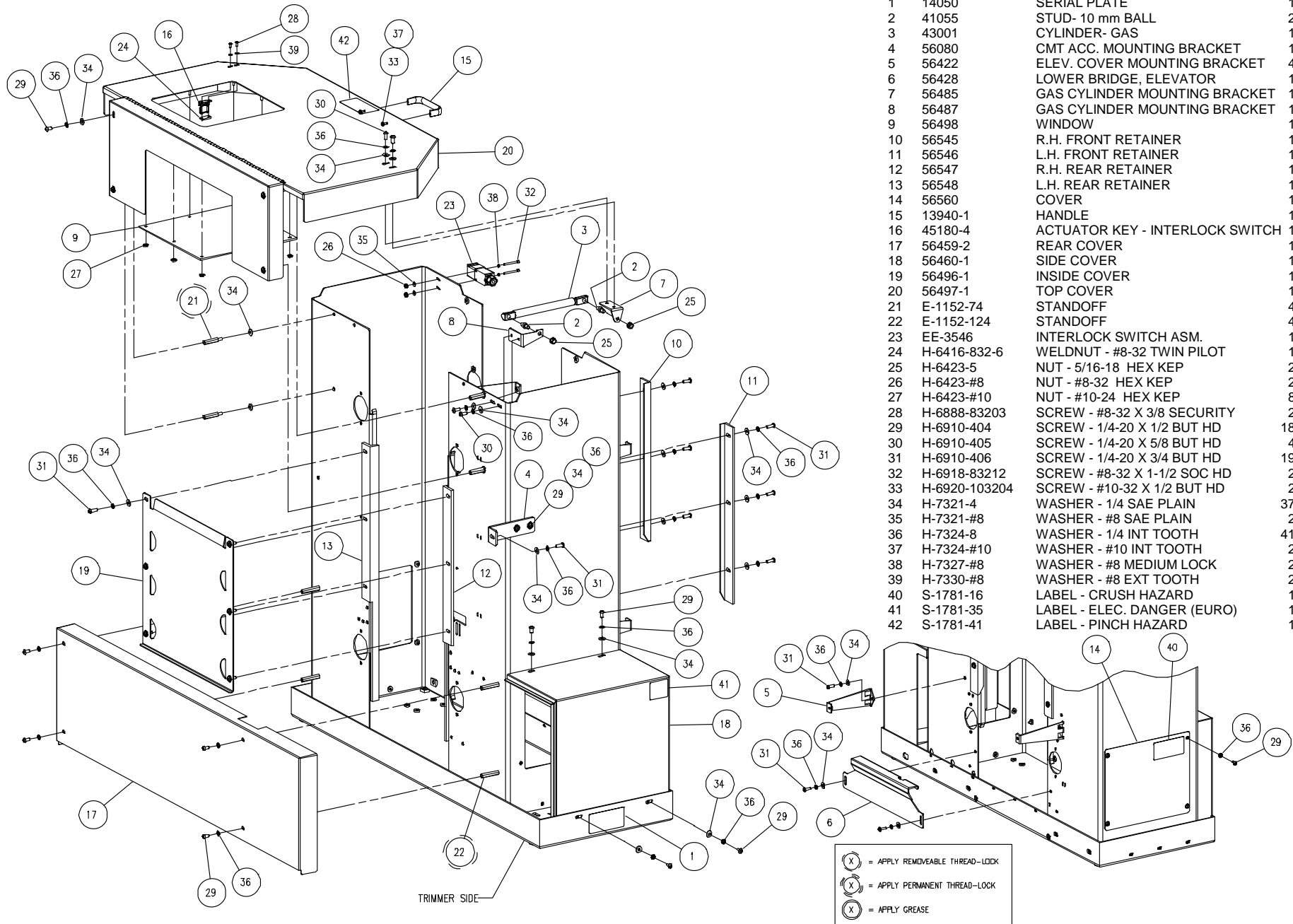
No.	Part Number	Description	Qty.
1	56423	SPROCKET	8
2	56425	LIFTER AXLE	2
3	56443	LIFTER AXLE	6
4	56464	BRACKET	5
5	56541	COUPLING	4
6	56180	REFLECTIVE TAPE - 1" W X 1" L	8
7	56424-1	LIFTER CHAIN	4
8	56438-1	LIFTER PLATE	16
9	56534-1	SENSOR BRACKET	1
10	EE-3541-12	PROX. ASM. - (B)	REF
11	H-6910-404	SCREW - 1/4-20 X 1/2 BUT HD	2
12	H-6910-406	SCREW - 1/4-20 X 3/4 BUT HD	8
13	H-6910-606	SCREW - 3/8-16 X 3/4 BUT HD	4
14	H-6910-102404	SCREW - #10-24 X 1/2 BUT HD	42
15	H-6913-404	SCREW - 1/4-20 X 1/2 HEX HD	4
16	H-6913-406	SCREW - 1/4-20 X 3/4 HEX HD	5
17	H-7321-4	WASHER - 1/4 SAE PLAIN	19
18	H-7321-6	WASHER - 3/8 SAE PLAIN	4
19	H-7324-8	WASHER - 1/4 INT TOOTH	6
20	H-7327-8	WASHER - 1/4 MEDIUM LOCK	13
21	H-7327-12	WASHER - 3/8 MEDIUM LOCK	4
22	S-1073-100	RETAINING RING	8
23	S-426-1	KEY	9

PL 5.46 Elevator 56431TCLA (5/7)



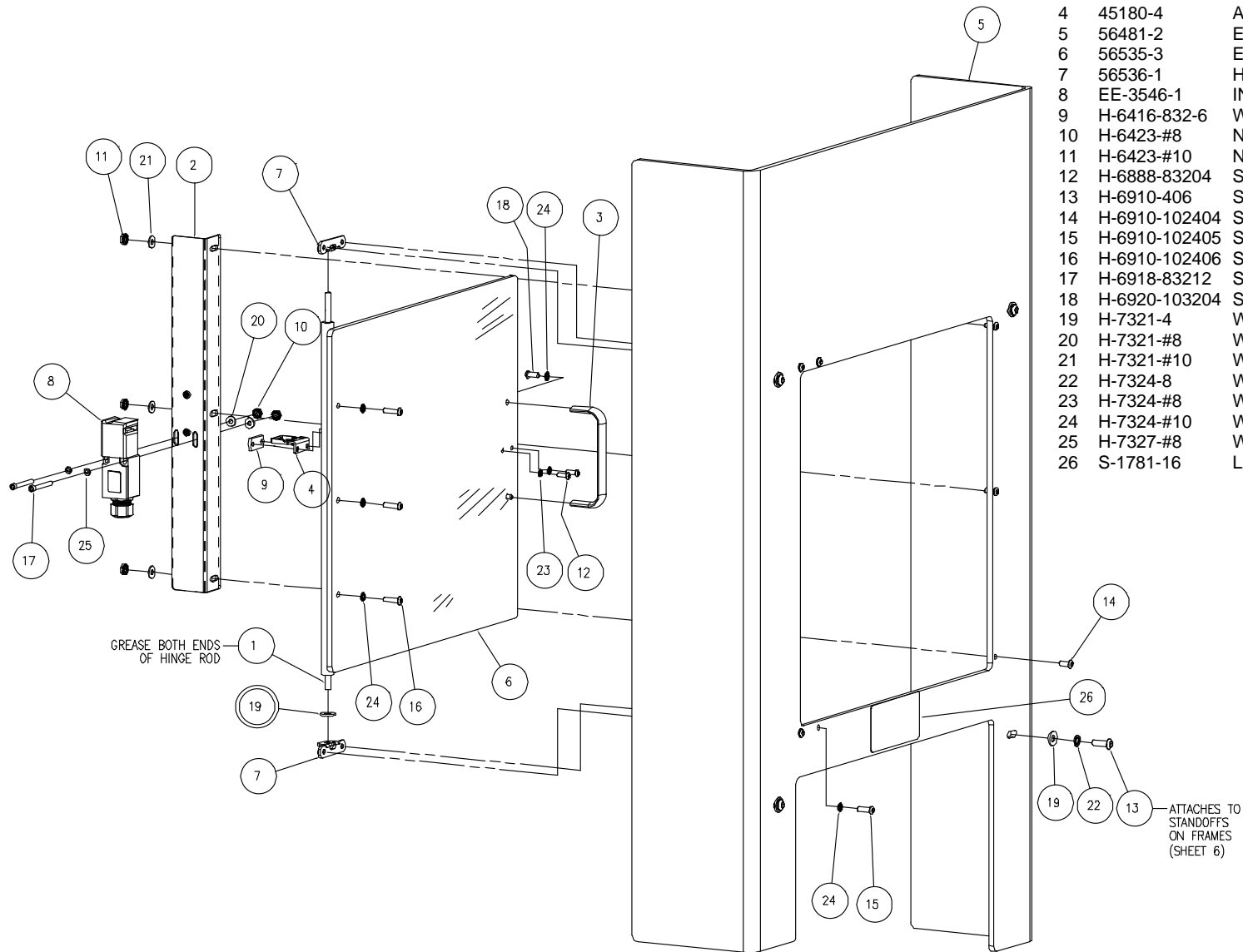
No.	Part Number	Description	Qty.
1	56432	SPROCKET	1
2	56440	SPROCKET	1
3	56446	IDLER ASM	2
4	56478	TAPER LOCK SPROCKET	1
5	56441-1	LOWER BRACE	1
6	56448-1	DRIVE CHAIN	1
7	E-1165-7	BRAKE	1
8	E-1600-162	GEAR MOTOR	1
9	EE-3523	ELECTRICAL PANEL ASSEMBLY	1
10	H-6423-4	NUT - 1/4-20 HEX KEP	4
11	H-6910-404	SCREW - 1/4-20 X 1/2 BUT HD	4
12	H-6913-406	SCREW - 1/4-20 X 3/4 HEX HD	12
13	H-7321-4	WASHER - 1/4 SAE PLAIN	16
14	H-7324-8	WASHER - 1/4 INT TOOTH	12
15	H-7327-8	WASHER - 1/4 MEDIUM LOCK	4
16	S-426-1	KEY	1

PL 5.47 Elevator 56431TCLA (6/7)



No.	Part Number	Description	Qty.
1	14050	SERIAL PLATE	1
2	41055	STUD- 10 mm BALL	2
3	43001	CYLINDER- GAS	1
4	56080	CMT ACC. MOUNTING BRACKET	1
5	56422	ELEV. COVER MOUNTING BRACKET	4
6	56428	LOWER BRIDGE, ELEVATOR	1
7	56485	GAS CYLINDER MOUNTING BRACKET	1
8	56487	GAS CYLINDER MOUNTING BRACKET	1
9	56498	WINDOW	1
10	56545	R.H. FRONT RETAINER	1
11	56546	L.H. FRONT RETAINER	1
12	56547	R.H. REAR RETAINER	1
13	56548	L.H. REAR RETAINER	1
14	56560	COVER	1
15	13940-1	HANDLE	1
16	45180-4	ACTUATOR KEY - INTERLOCK SWITCH	1
17	56459-2	REAR COVER	1
18	56460-1	SIDE COVER	1
19	56496-1	INSIDE COVER	1
20	56497-1	TOP COVER	1
21	E-1152-74	STANDOFF	4
22	E-1152-124	STANDOFF	4
23	EE-3546	INTERLOCK SWITCH ASM.	1
24	H-6416-832-6	WELDNUT - #8-32 TWIN PILOT	1
25	H-6423-5	NUT - 5/16-18 HEX KEP	2
26	H-6423-#8	NUT - #8-32 HEX KEP	2
27	H-6423-#10	NUT - #10-24 HEX KEP	8
28	H-6888-83203	SCREW - #8-32 X 3/8 SECURITY	2
29	H-6910-404	SCREW - 1/4-20 X 1/2 BUT HD	18
30	H-6910-405	SCREW - 1/4-20 X 5/8 BUT HD	4
31	H-6910-406	SCREW - 1/4-20 X 3/4 BUT HD	19
32	H-6918-83212	SCREW - #8-32 X 1-1/2 SOC HD	2
33	H-6920-103204	SCREW - #10-32 X 1/2 BUT HD	2
34	H-7321-4	WASHER - 1/4 SAE PLAIN	37
35	H-7321-#8	WASHER - #8 SAE PLAIN	2
36	H-7324-8	WASHER - 1/4 INT TOOTH	41
37	H-7324-#10	WASHER - #10 INT TOOTH	2
38	H-7327-#8	WASHER - #8 MEDIUM LOCK	2
39	H-7330-#8	WASHER - #8 EXT TOOTH	2
40	S-1781-16	LABEL - CRUSH HAZARD	1
41	S-1781-35	LABEL - ELEC. DANGER (EURO)	1
42	S-1781-41	LABEL - PINCH HAZARD	1

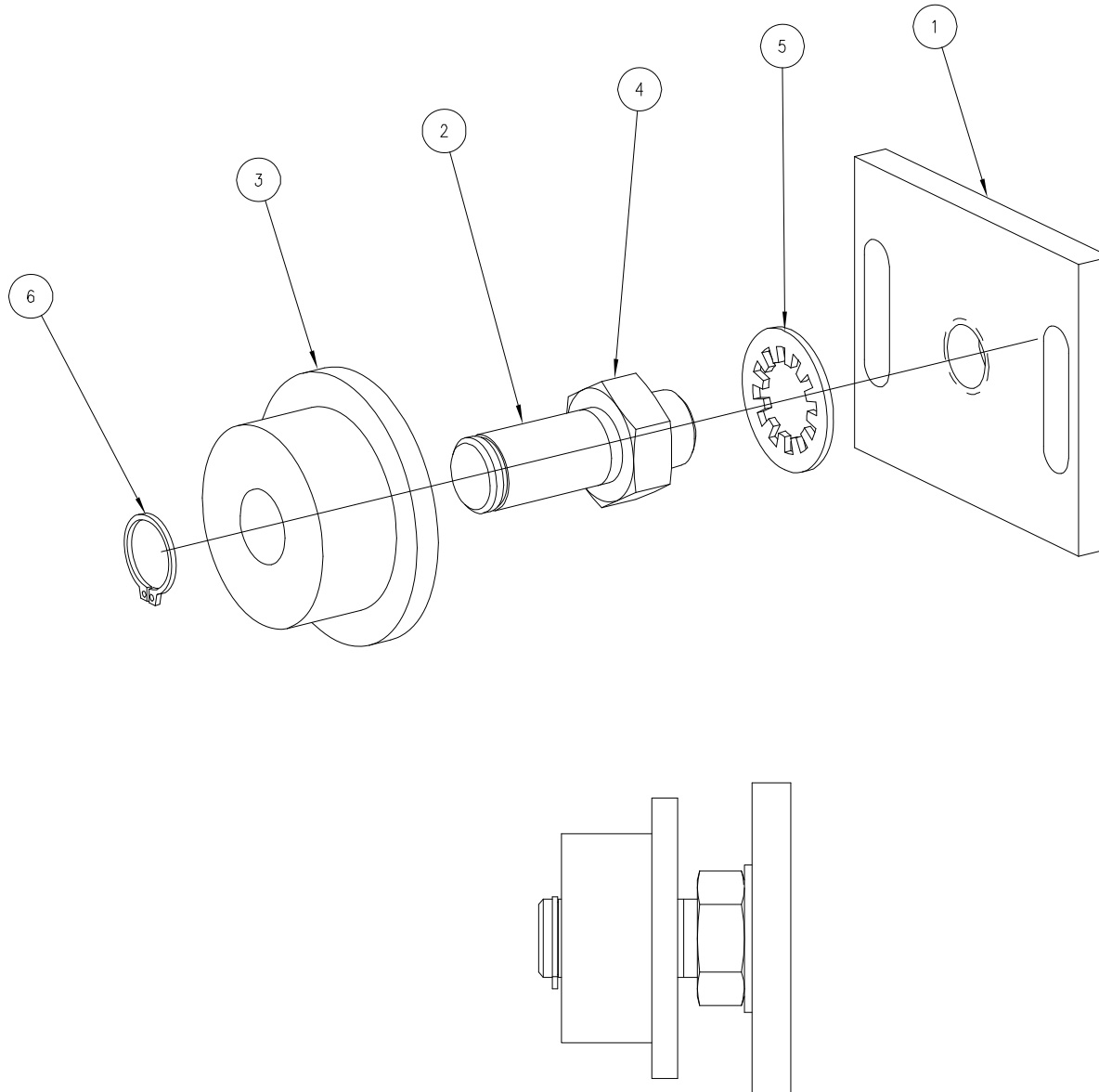
PL 5.48 Elevator 56431TCLA (7/7)



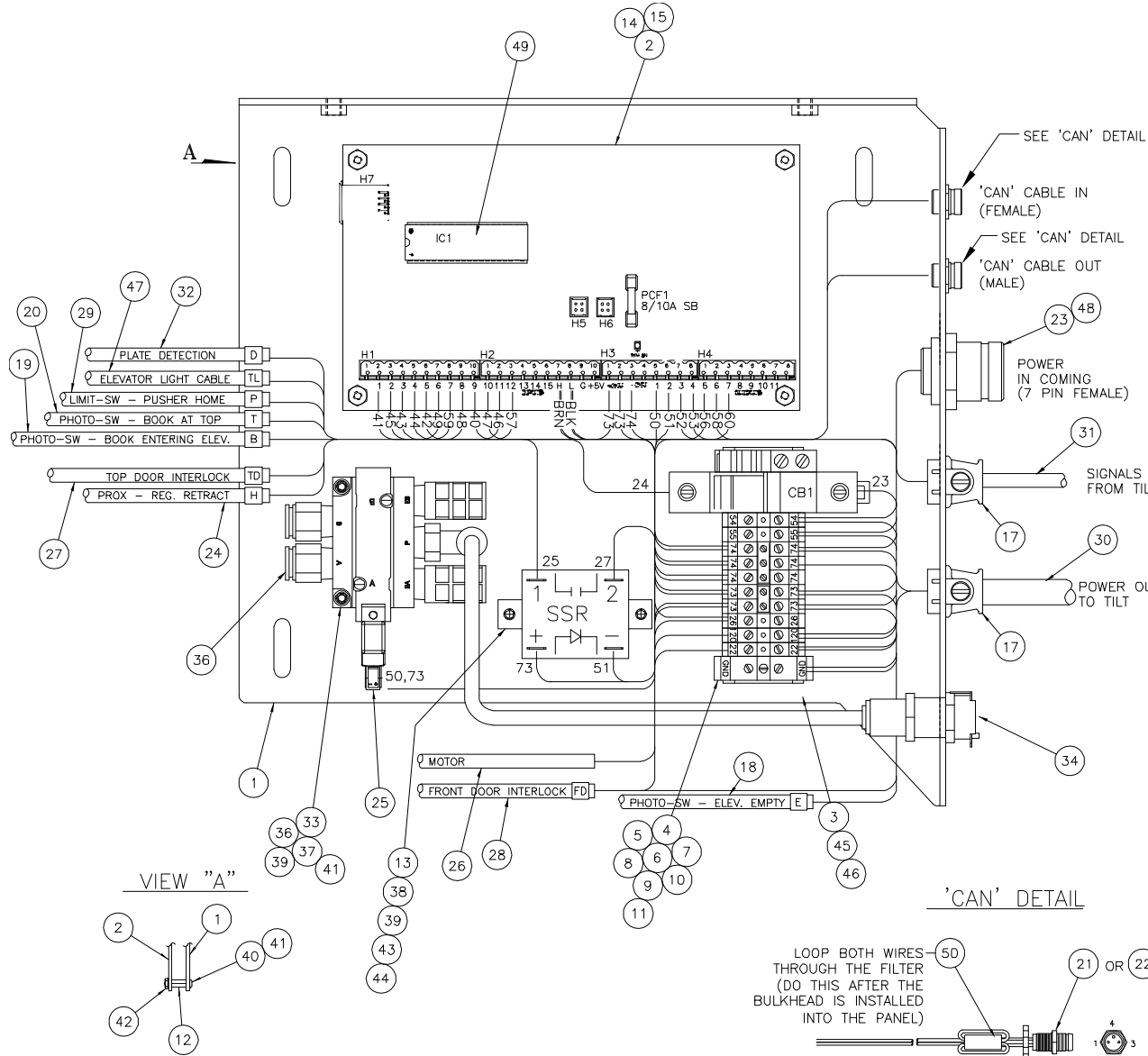
No.	Part Number	Description	Qty.
1	56538	HINGE ROD	1
2	56539	KEEPER BRACKET	1
3	13940-1	HANDLE	1
4	45180-4	ACTUATOR KEY	1
5	56481-2	ELEVATOR COVER	1
6	56535-3	ELEVATOR DOOR	1
7	56536-1	HINGE ROD BRACKET	2
8	EE-3546-1	INTERLOCK SWITCH ASM.	REF
9	H-6416-832-6	WELDNUT - #8-32 TWIN PILOT	1
10	H-6423-#8	NUT - #8-32 HEX KEP	2
11	H-6423-#10	NUT - #10-24 HEX KEP	3
12	H-6888-83204	SCREW - #8-32 X 1/2 SECURITY	2
13	H-6910-406	SCREW - 1/4-20 X 3/4 BUT HD	4
14	H-6910-102404	SCREW - #10-24 X 1/2 BUT HD	3
15	H-6910-102405	SCREW - #10-24 X 5/8 BUT HD	4
16	H-6910-102406	SCREW - #10-24 X 3/4 BUT HD	3
17	H-6918-83212	SCREW - #8-32 X 1-1/2 SOC HD	2
18	H-6920-103204	SCREW - #10-32 X 1/2 BUT HD	2
19	H-7321-4	WASHER - 1/4 SAE PLAIN	5
20	H-7321-#8	WASHER - #8 SAE PLAIN	2
21	H-7321-#10	WASHER - #10 SAE PLAIN	3
22	H-7324-8	WASHER - 1/4 INT TOOTH	4
23	H-7324-#8	WASHER - #8 INT TOOTH	2
24	H-7324-#10	WASHER - #10 INT TOOTH	9
25	H-7327-#8	WASHER - #8 MEDIUM LOCK	2
26	S-1781-16	LABEL - CRUSH HAZARD	1

PL 5.49 Idler 56446

No.	Part Number	Description	Qty.
1	56444	IDLER BRACKET	1
2	56445	IDLER PIN	1
3	56447	IDLER SPROCKET	1
4	H-6424-8	NUT - 1/2-13 HEX JAM	1
5	H-7324-16	WASHER - 1/2 INT TOOTH	1
6	S-1073-50	RETAINING RING	1



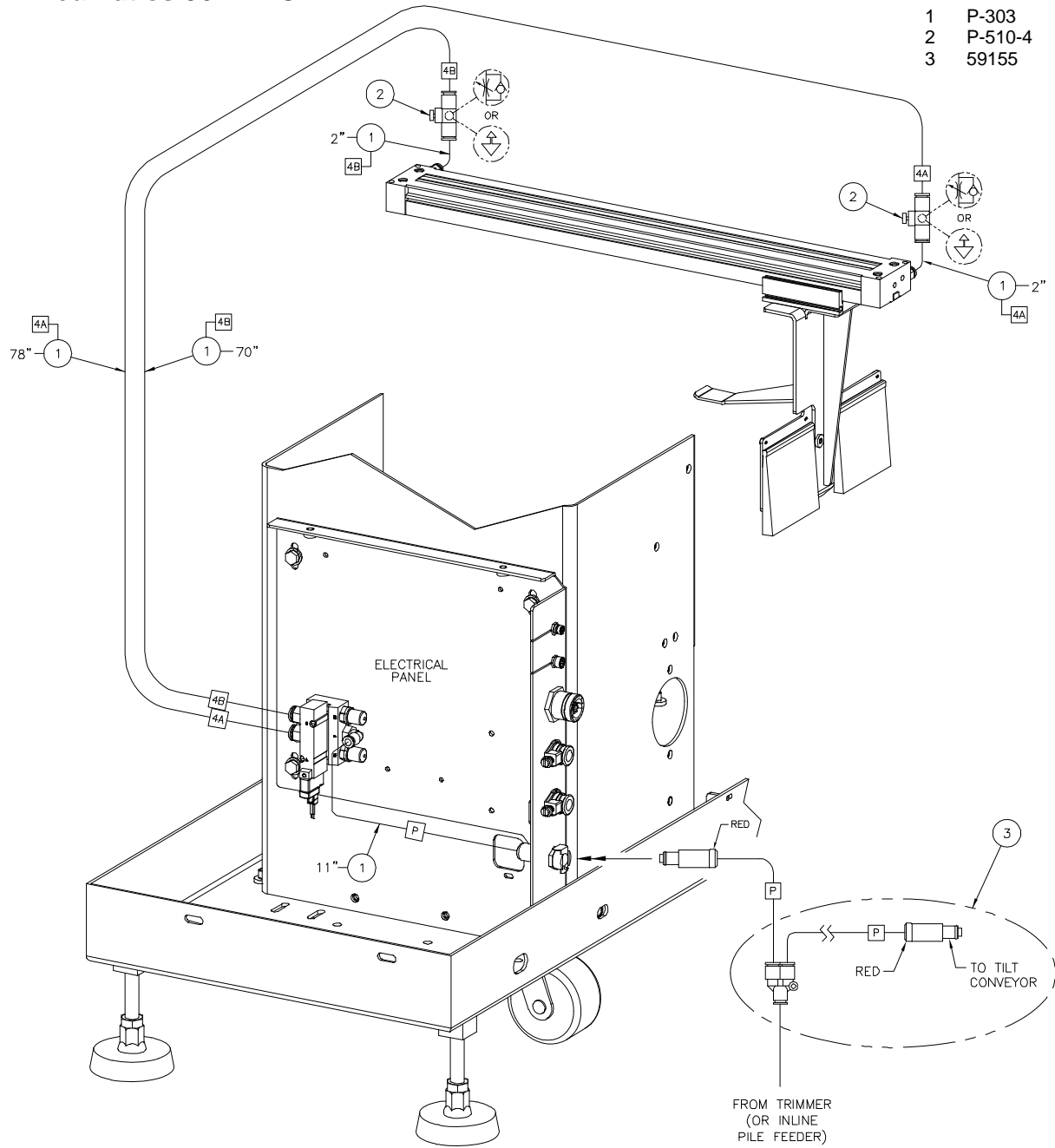
PL 5.50 Elev. Electrical Panel EE-3523



No.	Part No.	Description	Qty.
1	56499	PANEL - POWER, ELEVATOR	1
2	EE-3508-1	PC BOARD ASSEMBLY - I/O	1
3	E-1977-26	TERMINAL RAIL - 4" LONG	1
4	E-2068-8	TERMINAL BLOCK - #10 AWG	10
5	E-3264-2	CIRCUIT BREAKER - 1.6A	1
6	E-2068-3	TERMINAL BLOCK - GROUNDING	1
7	E-2070-1	END BRACKET	1
8	E-2864	SEPERATOR PLATE	1
9	E-2507-2	FIXED BRIDGE - 2 POLE	1
10	E-2507-3	FIXED BRIDGE - 3 POLE	1
11	E-1356-()	MARKING STRIP - TERMINAL BLOCK	1
12	E-1152-56	STAND-OFF - 1/2" LONG	2
13	E-2064-2	RELAY - SOLID STATE	1
14	E-2066-8	PLUG CONNECTOR - P.C.B. 8 PIN	2
15	E-2066-10	PLUG CONNECTOR - P.C.B. 10 PIN	2
16	E-709-R	WIRE - #18 GA. RED MTW (29" TOTAL)	1
17	S-1350-16	STRAIN RELIEF - CABLE, PLASTIC	2
18	EE-3541-10	PHOTO-SW ASM. - ELEV. NOT EMPTY "E"	1
19	EE-3541-11	PHOTO-SW ASM. - BOOK @ TOP "T"	1
20	EE-3541-12	PHOTO-SW ASM. - BOOK ENT. ELEV. "B"	1
21	EE-3460-5	PIGTAIL ASSEMBLY - MALE "CAN"	1
22	EE-3460-6	PIGTAIL ASSEMBLY - FEMALE "CAN"	1
23	EE-3550	PLUG ASM. - 7 POS MALE - POWER IN	1
24	EE-2397-6	SW. ASM. - MAG. POS., RETRACT "H"	1
25	EE-3531-22	PLUG ASM - AIR SOL., PUSHER OUT "1"	1
26	EE-3087-1	CABLE ASM - MOTOR	1
27	EE-3546	CABLE ASM - TOP DOOR INTLK "TD"	1
28	EE-3546-1	CABLE ASM. - FRONT DOOR INTLK "FD"	1
29	EE-3545	CABLE ASM. - PSHR HOME LIMIT SW. "P"	1
30	EE-3538-1	CABLE ASM - POWER OUT TO TILT	1
31	EE-3521	CABLE ASM - SIGNAL OUT TO TILT	1
32	EE-3533-5	PROX. SW. ASM. - PLATE DETECTION "D"	1
33	56665	PNEUMATIC VALVE ASM.	1
34	P-515	PUSH-IN CON. - (1/4 FEM. PASS-THRU)	1
35	P-511	SILENCER - 1/4NPT	2
36	P-500-402	STRAIGHT FITTING - 1/4 TUBE X 1/4NPT	2
37	P-503-402	ELBOW - 1/4 TUBE X 1/4NPT	1
38	E-1214-65	CONNECTOR - 1/4" FULLY INS. Q.D.	3
39	H-6918-63210	SCREW - #6-32 X 1-1/4 SOCKET HD CAP	2
40	H-6910-63203	SCREW - #6-32NC X 3/8" BUT HD CAP	5
41	H-7324-#6	WASHER - #6 INT. TOOTHLOCK	7
42	H-6423-#6	NUT, #6-32NC HEX (KEP STYLE)	5
43	H-6910-83203	SCREW - #8-32 X 3/8" BUT HD	2
44	H-7324-#8	WASHER - #8 INT. TOOTHLOCK	2
45	H-6918-102403	SCREW - #10-24 X 3/8" BUT HD CAP	2
46	H-7324-#10	WASHER - #10 INT. TOOTHLOCK	2
47	EE-3536-4	CABLE ASM. - ELEV. LIGHT (TOP) "TL"	1
48	E-519	NUT - CONDUIT PIGTAIL	1
49	EE-1888-26	IC - PROGRAMMED, TC ELEVATOR "IC1"	1
50	E-2756-9	FILTER - FERRITE BEAD	2

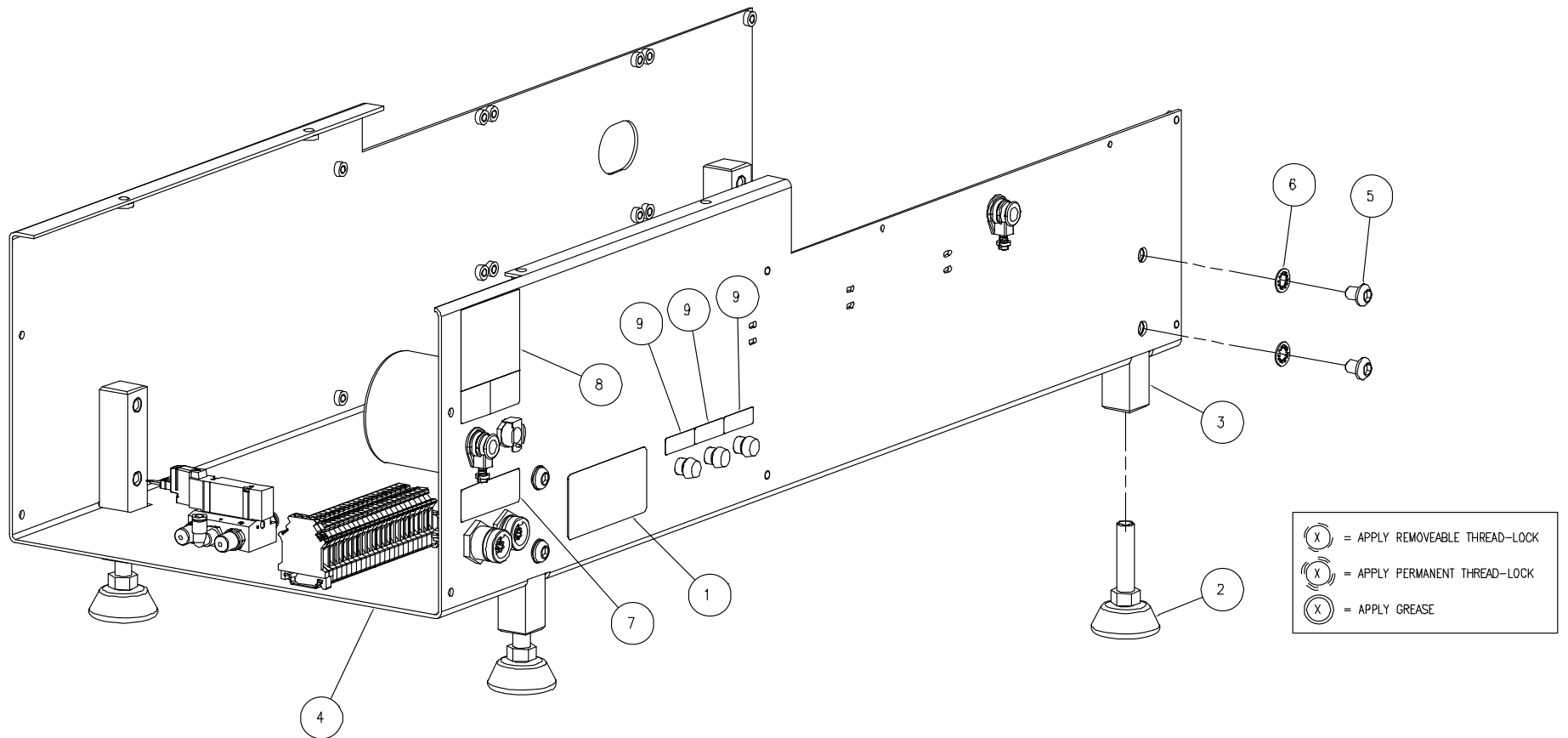
PL 5.51 Elev. Pneumatics 56421TCA-P

No.	Part No.	Description	Qty.
1	P-303	1/4" O.D. P.E. TUBING (SOLID BLUE)	-
2	P-510-4	AIR FLOW REGULATOR - 1/4" TUBE	2
3	59155	AIR TUBE ASM. - INFEED ACCESSORY	1



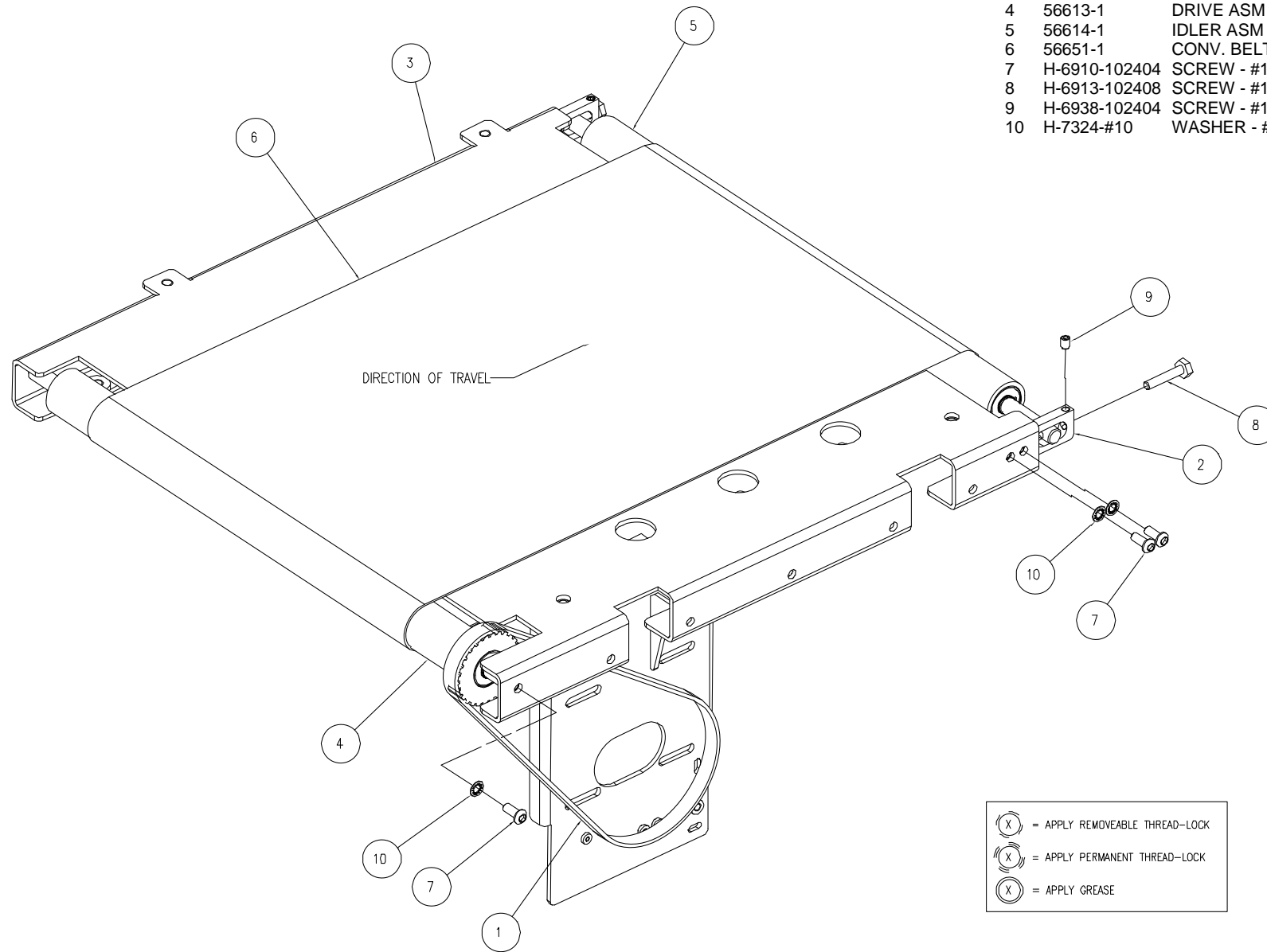
PL 5.52 Tilt Conveyor 56630TCLA (1/8)

No.	Part Number	Description	Qty.
1	14050	SERIAL PLATE	1
2	56410	LEVELING PAD	4
3	56549	LEG	4
4	EE-3565	CONV. CASE AND ELEC. ASM	1
5	H-6910-604	SCREW - 3/8-16 X 1/2 BUT HD	8
6	H-7324-12	WASHER - 3/8 INT TOOTH	8
7	S-1781-110	LABEL	1
8	S-1781-111	LABEL	1
9	S-1781-112	LABEL	3



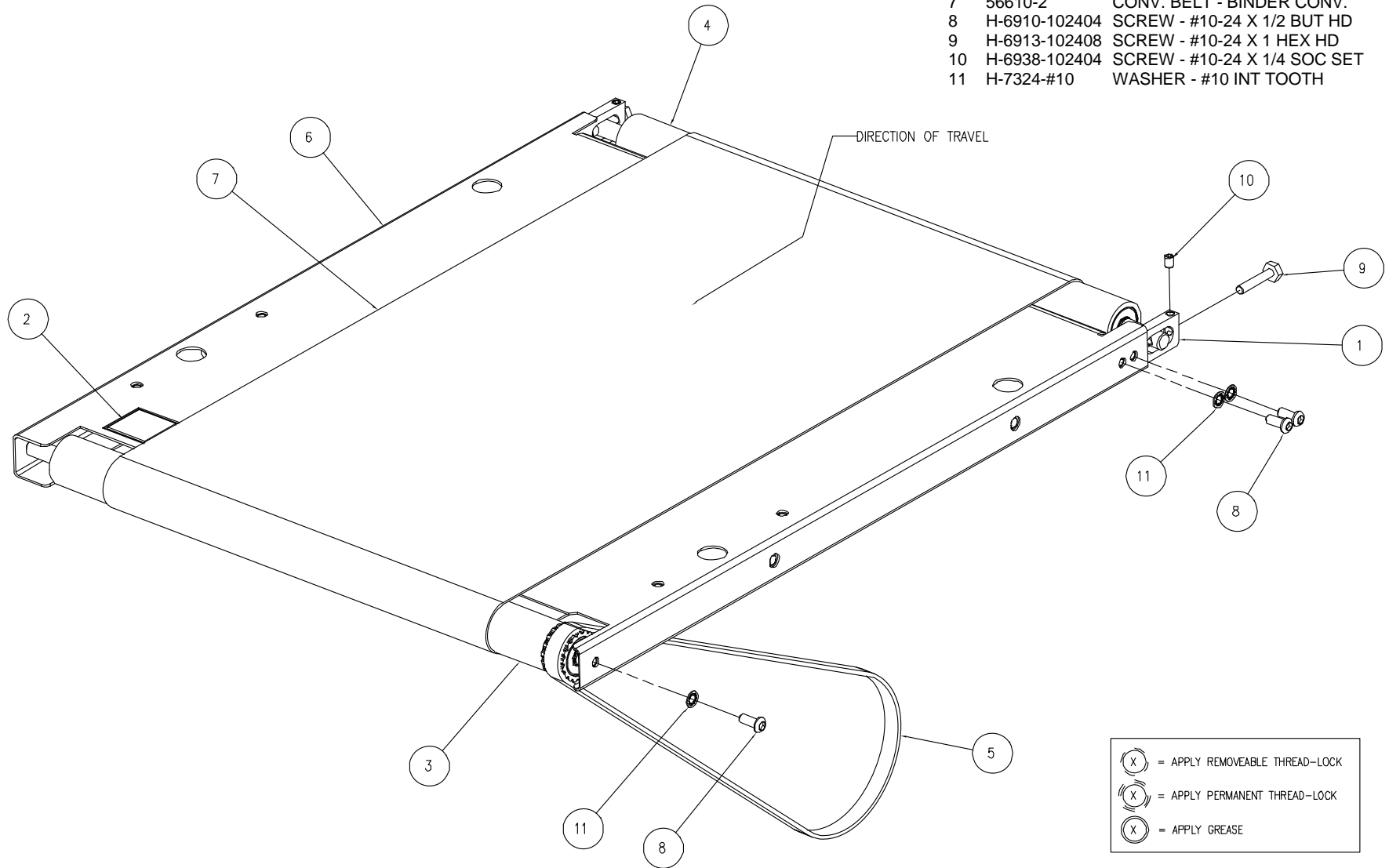
PL 5.53 Tilt Conveyor 56630TCLA (2/8)

No.	Part Number	Description	Qty.
1	7909	TIMING BELT - 220XL037	1
2	56405	TENSIONER BLOCK	2
3	56606-2	WELDMENT - TILT FRAME	1
4	56613-1	DRIVE ASM	1
5	56614-1	IDLER ASM	1
6	56651-1	CONV. BELT - TILT CONVEYOR	1
7	H-6910-102404	SCREW - #10-24 X 1/2 BUT HD	6
8	H-6913-102408	SCREW - #10-24 X 1 HEX HD	2
9	H-6938-102404	SCREW - #10-24 X 1/4 SOC SET	2
10	H-7324-#10	WASHER - #10 INT TOOTH	6



PL 5.54 Tilt Conveyor 56630TCLA (3/8)

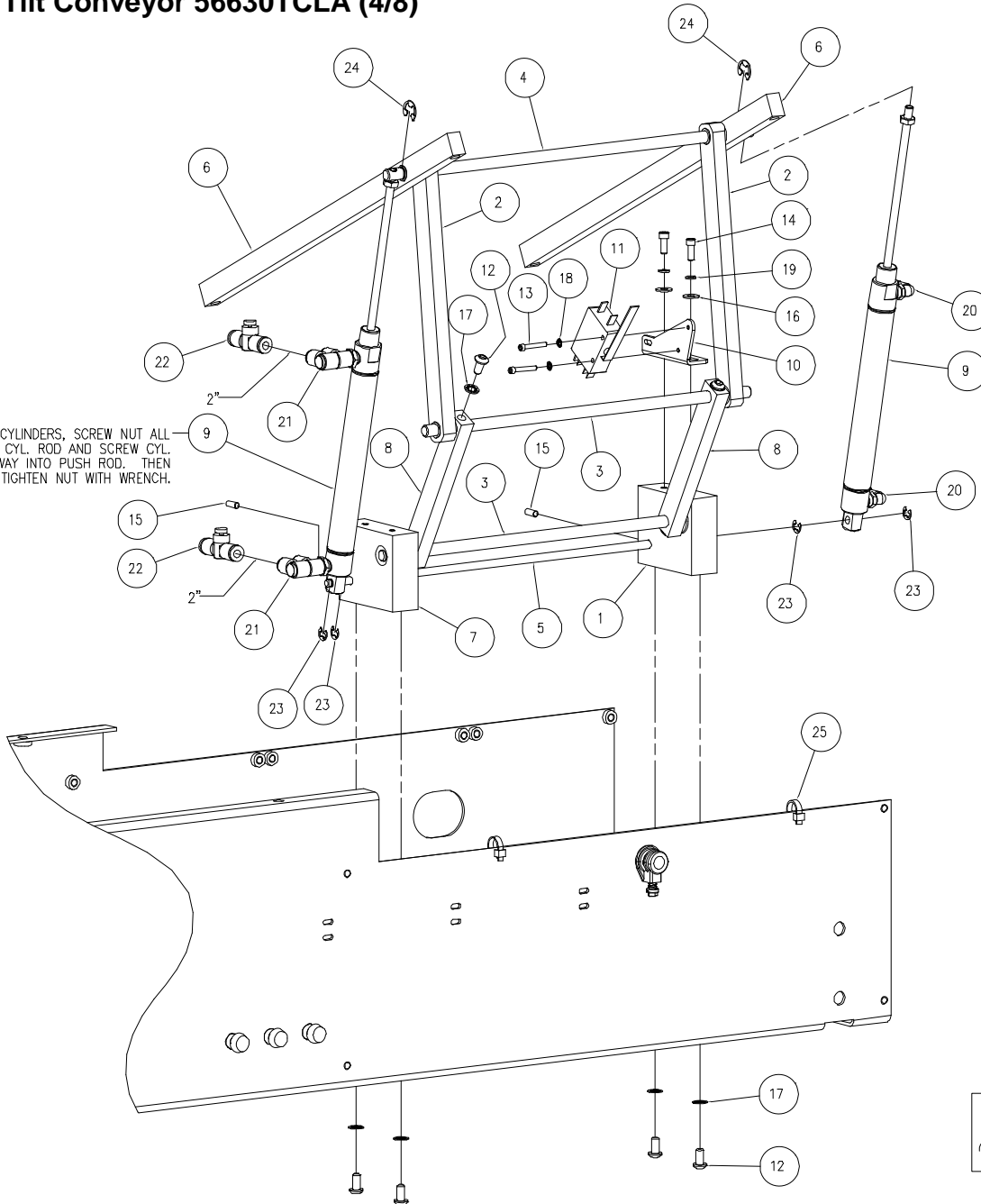
No.	Part Number	Description	Qty.
1	56405	TENSIONER BLOCK	2
2	56180	REFLECTIVE TAPE - 1" W X 1" L	1
3	56404-3	DRIVE ASM	1
4	56406-1	IDLER ASM	1
5	56449-1	TIMING BELT- 280XL037	1
6	56602-1	FRAME	1
7	56610-2	CONV. BELT - BINDER CONV.	1
8	H-6910-102404	SCREW - #10-24 X 1/2 BUT HD	6
9	H-6913-102408	SCREW - #10-24 X 1 HEX HD	2
10	H-6938-102404	SCREW - #10-24 X 1/4 SOC SET	2
11	H-7324-#10	WASHER - #10 INT TOOTH	6



PL 5.55 Tilt Conveyor 56630TCLA (4/8)

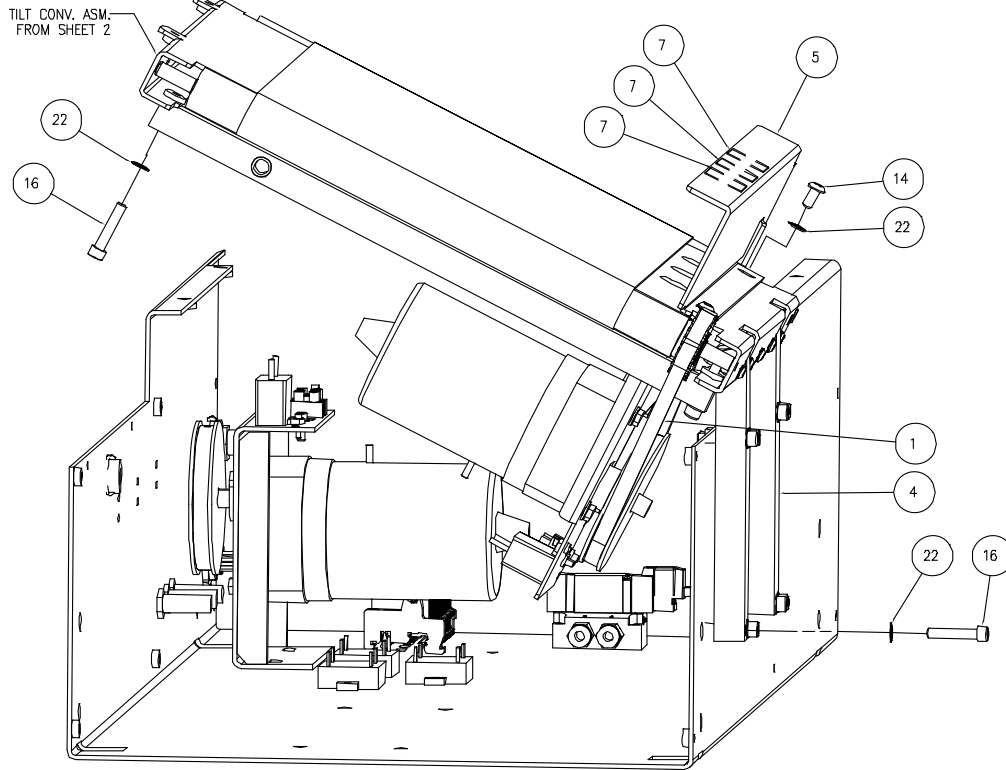
No.	Part Number	Description	Qty.
1	56618	BEARING BLOCK ASM. - RH	1
2	56620	LINK ASM	2
3	56622	AXLE	2
4	56623	PUSH ROD	1
5	56633	LOWER CYLINDER MOUNT ROD	1
6	56604-1	TILT CROSS BAR ASSEMBLY	2
7	56618-1	BEARING BLOCK ASM. - LH	1
8	56621-1	LOWER LINK	2
9	56634-2	AIR CYLINDER	2
10	56684-1	LIMIT SWITCH BRACKET	1
11	E-3112-2	MICROSWITCH	1
12	H-6910-404	SCREW - 1/4-20 X 1/2 BUT HD	8
13	H-6918-63207	SCREW - #6-32 X 7/8 SOC HD	2
14	H-6918-102404	SCREW - #10-24 X 1/2 SOC HD	2
15	H-6938-102408	SCREW - #10-24 X 1/2 SOC SET	2
16	H-7321-#10	WASHER - #10 SAE PLAIN	2
17	H-7324-8	WASHER - 1/4 INT TOOTH	8
18	H-7324-#6	WASHER - #6 INT TOOTH	2
19	H-7327-#10	WASHER - #10 MEDIUM LOCK	2
20	P-503-401	ELBOW-1/4 TUBE X 1/8 NPT	2
21	P-509-401	DBLE. UNIV. ELB. 1/4 T X 1/8 NPT	2
22	P-510-4	FLOW CONTROLLER - 1/4 TUBE	2
23	S-1193-25	E-RING - 1/4"	4
24	S-1193-37	E-RING - 3/8"	2
25	S-1694-1	TYRAP	2

TO MOUNT AIR CYLINDERS, SCREW NUT ALL THE WAY ON TO CYL. ROD AND SCREW CYL. ROD ALL THE WAY INTO PUSH ROD. THEN TIGHTEN NUT WITH WRENCH.

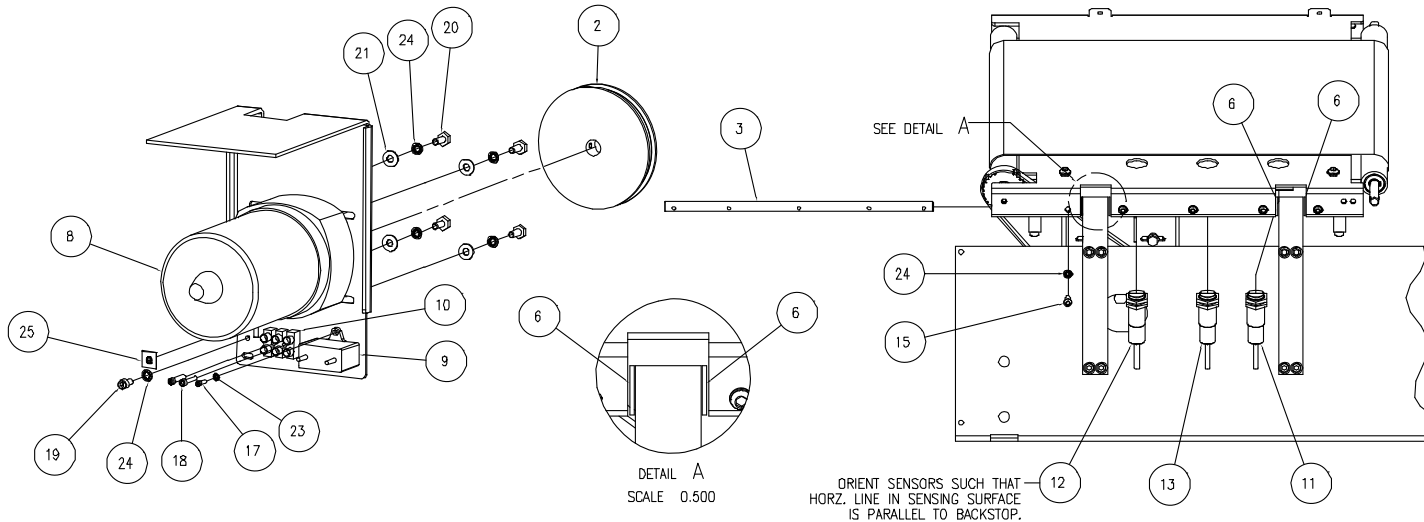


= APPLY REMOVEABLE THREAD-LOCK
 = APPLY PERMANENT THREAD-LOCK

PL 5.56 Tilt Conveyor 56630TCLA (5/8)

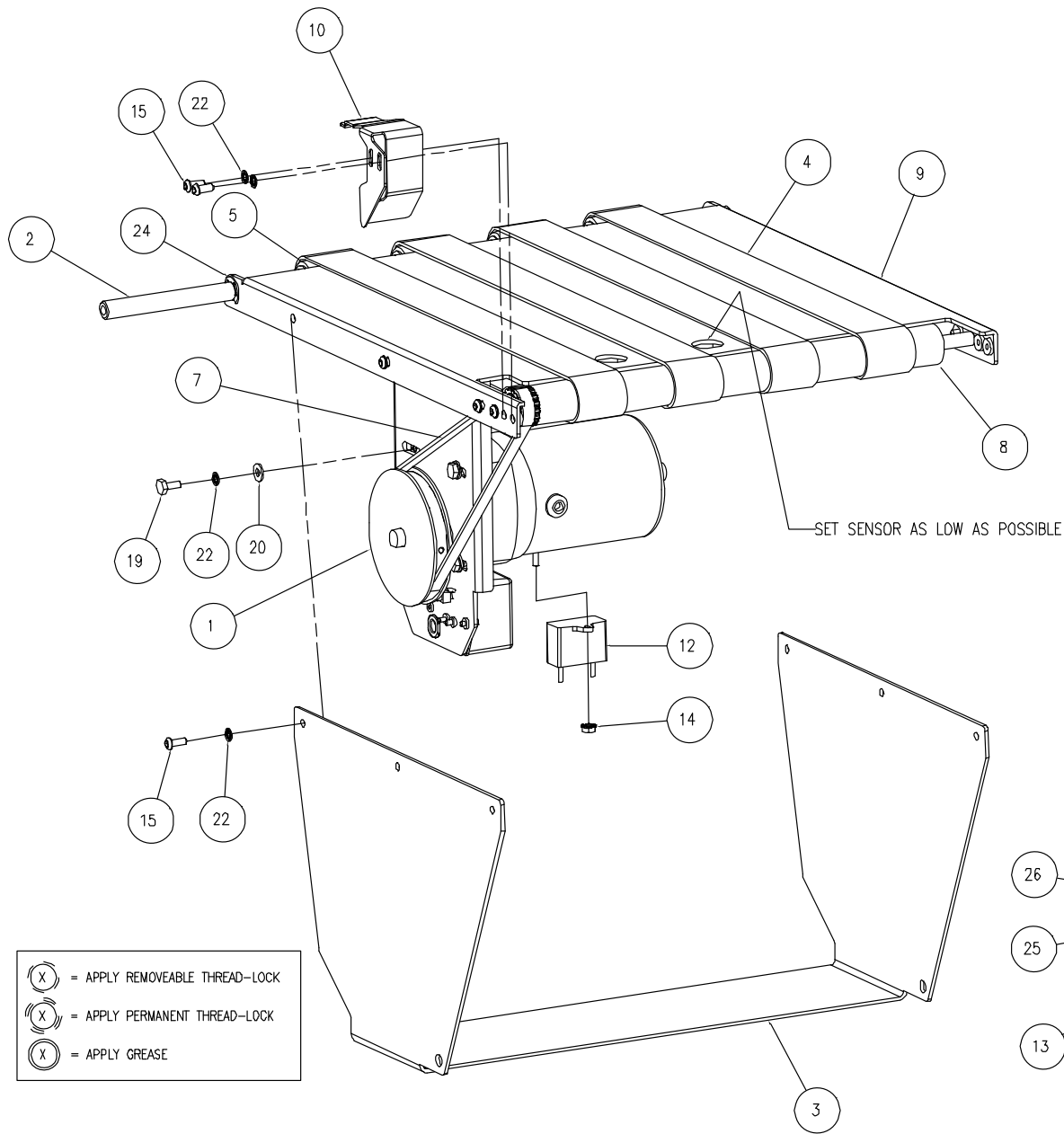


No.	Part Number	Description	Qty.
1	7909	TIMING BELT - 220XL037	1
2	56346	TIMING PULLEY- 56 GROOVE	1
3	56605	TILT HINGE ROD	1
4	56612	HINGE ASSEMBLY	2
5	56632	BOOK STOP	1
6	11288-5	WASHER/SPACER	4
7	56180	REFL. TAPE - 1" W X 1-1/2" L	3
8	E-1600-163	GEAR MOTOR	1
9	E-2181-4	CAPACITOR	1
10	E-2626-3	TERMINAL STRIP (3P)	1
11	EE-3541-14	PROX. ASM. - TILT - RH "T1"	REF
12	EE-3541-15	PROX. ASM. - TILT - LH "T2"	REF
13	EE-3541-23	PROX. ASM. - CEN. "T3"	REF
14	H-6910-404	SCREW - 1/4-20 X 1/2 BUT HD	2
15	H-6910-102404	SCREW - #10-24 X 1/2 BUT HD	5
16	H-6918-410	SCREW - 1/4-20 X 1-1/4 SOC HD	12
17	H-6918-44003	SCREW - #4-40 X 3/8 SOC HD	1
18	H-6918-63206	SCREW - #6-32 X 3/4 SOC HD	2
19	H-6918-102403	SCREW - #10-24 X 3/8 SOC HD	1
20	H-6990-103204	SCREW - #10-32 X 1/2 HEX HD	4
21	H-7321-#10	WASHER - #10 SAE PLAIN	4
22	H-7324-8	WASHER - 1/4 INT TOOTH	14
23	H-7324-#4	WASHER - #4 INT TOOTH	1
24	H-7324-#10	WASHER - #10 INT TOOTH	10
25	S-1781-42	LABEL - GROUND	1

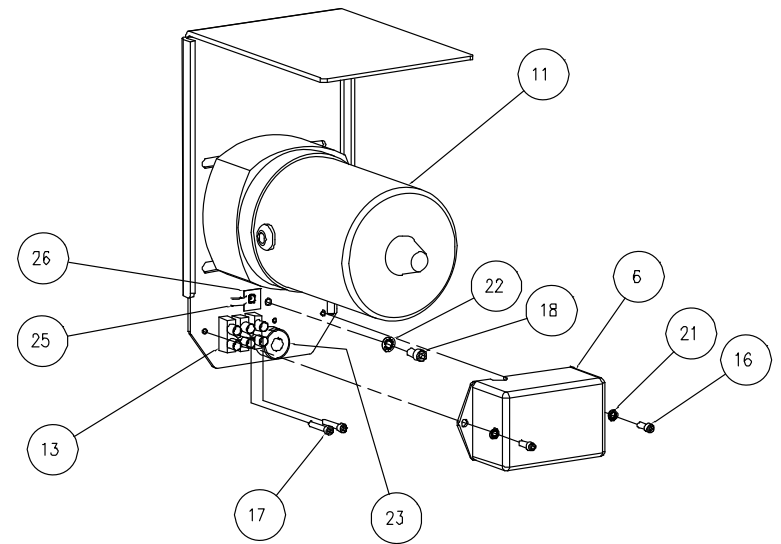


- (X) = APPLY REMOVABLE THREAD-LOCK
- (P) = APPLY PERMANENT THREAD-LOCK
- (G) = APPLY GREASE

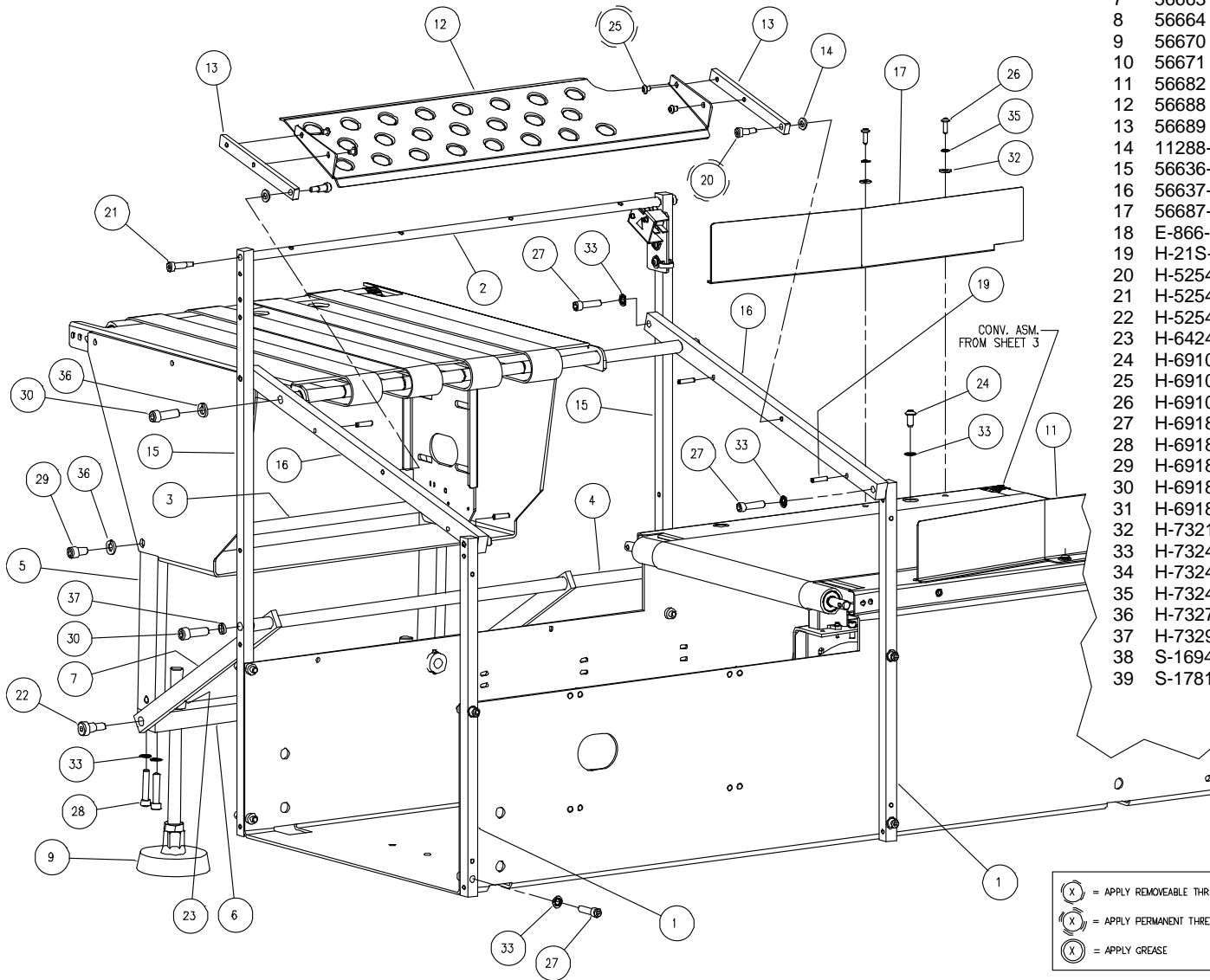
PL 5.57 Tilt Conveyor 56630TCLA (6/8)



No.	Part Number	Description	Qty.
1	56346	TIMING PULLEY - 56 GROOVE	1
2	56638	IDLER ROD	1
3	56640	MOTOR GUARD	1
4	56644	ENDLESS BELT	4
5	56669	PULLEY	4
6	56681	COVER	1
7	56564-1	TIMING BELT - 240XL037	1
8	56641-1	DRIVE ROLLER ASM	1
9	56656-1	FRAME WELDMENT	1
10	56683-1	BELT GUARD	1
11	E-1600-163	GEAR MOTOR	1
12	E-2181-4	CAPACITOR	1
13	E-2626-3	TERMINAL STRIP (3P)	1
14	H-6423-#8	NUT - #8-32 HEX KEP	1
15	H-6910-102404	SCREW - #10-24 X 1/2 BUT HD	10
16	H-6918-63203	SCREW - #6-32 X 3/8 SOC HD	2
17	H-6918-63206	SCREW - #6-32 X 3/4 SOC HD	2
18	H-6918-102403	SCREW - #10-24 X 3/8 SOC HD	1
19	H-6990-103204	SCREW - #10-32 X 1/2 HEX HD	4
20	H-7321-#10	WASHER - #10 SAE PLAIN	4
21	H-7324-#6	WASHER - #6 INT TOOTH	2
22	H-7324-#10	WASHER - #10 INT TOOTH	15
23	S-1350	STRAIN RELIEF BUSHING	1
24	S-1193-50	E-RING - 1/2"	10
25	S-1694-1	TYRAP	1
26	S-1781-42	LABEL - GROUND	1

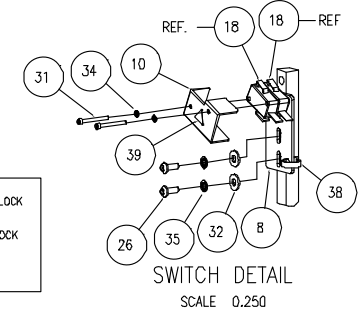


PL 5.58 Tilt Conveyor 56630TCLA (7/8)

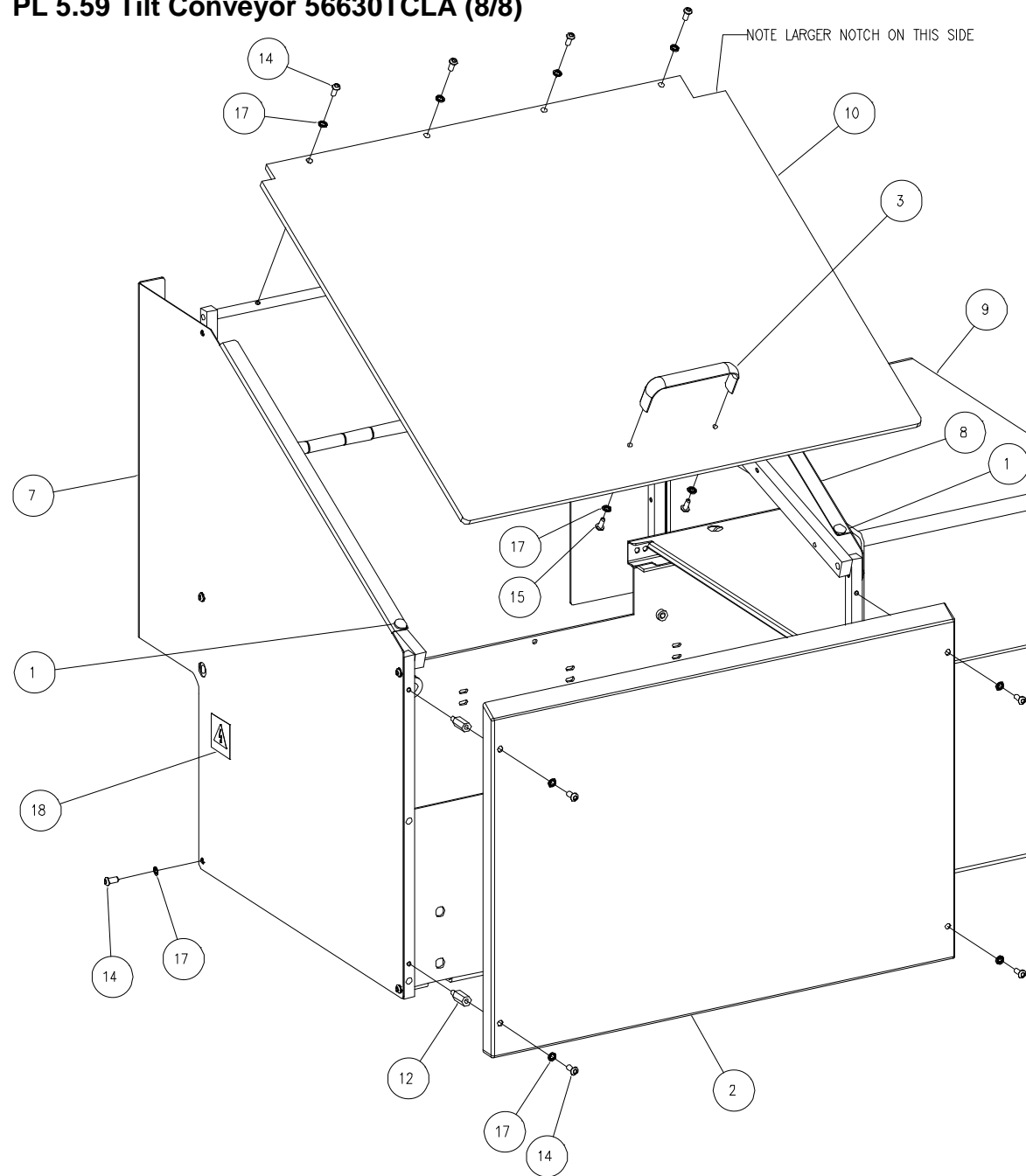


No.	Part Number	Description	Qty.
1	56635	FRONT FRAME BAR	2
2	56646	DOOR HINGE ROD	1
3	56658	TIE ROD	1
4	56659	TIE ROD	1
5	56660	SUPPORT BLOCK	2
6	56661	SUPPORT BLOCK	1
7	56663	LINK	2
8	56664	SWITCH BRACKET	1
9	56670	LEVELING FOOT ASSEMBLY	2
10	56671	SWITCH COVER	1
11	56682	BOOK GUIDE - RH	1
12	56688	EXTENSION SHELF	1
13	56689	LINK - EXTENSION SHELF	2
14	11288-36	WASHER/SPACER	2
15	56636-1	REAR FRAME BAR	2
16	56637-1	TIE BAR	2
17	56687-1	BOOK GUIDE - LH	1
18	E-866-9	POSITIVE ACTION SWITCH	2
19	H-21S-187-0750	ROLL PIN - 3/16 X 3/4	4
20	H-5254-403	SCREW - 1/4 X 3/8 SHSS	2
21	H-5254-405	SCREW - 1/4 X 5/8 SHSS	2
22	H-5254-603	SCREW - 3/8 X 3/8 SHSS	2
23	H-6424-8	NUT - 1/2-13 HEX JAM	2
24	H-6910-404	SCREW - 1/4-20 X 1/2 BUT HD	4
25	H-6910-102402	SCREW - #10-24 X 1/4 BUT HD	4
26	H-6910-102404	SCREW - #10-24 X 1/2 BUT HD	6
27	H-6918-408	SCREW - 1/4-20 X 1 SOC HD	12
28	H-6918-410	SCREW - 1/4-20 X 1-1/4 SOC HD	4
29	H-6918-504	SCREW - 5/16-18 X 1/2 SOC HD	2
30	H-6918-508	SCREW - 5/16-18 X 1 SOC HD	4
31	H-6918-44008	SCREW - #4-40 X 1 SOC HD	2
32	H-7321-#10	WASHER - #10 SAE PLAIN	6
33	H-7324-8	WASHER - 1/4 INT TOOTH	20
34	H-7324-#4	WASHER - #4 INT TOOTH	2
35	H-7324-#10	WASHER - #10 INT TOOTH	6
36	H-7327-10	WASHER - 5/16 MEDIUM LOCK	4
37	H-7329-5	WASHER - 5/16 HIGH COL. LOCK	2
38	S-1694-1	TYRAP	1
39	S-1781-113	LABEL - ELECTRIC SHOCK	1

(X) = APPLY REMOVABLE THREAD-LOCK
 (X) = APPLY PERMANENT THREAD-LOCK
 (X) = APPLY GREASE



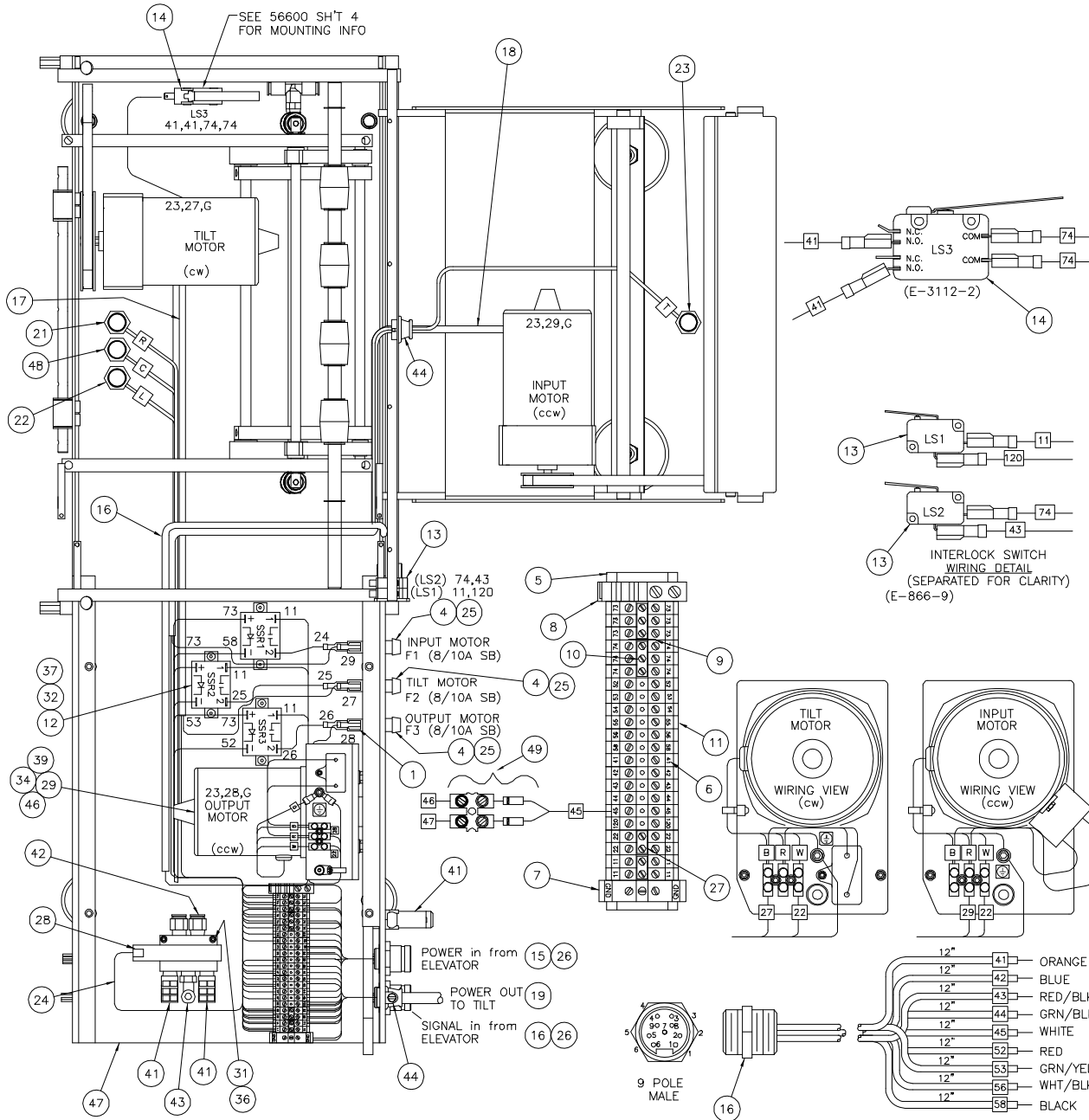
PL 5.59 Tilt Conveyor 56630TCLA (8/8)



No.	Part Number	Description	Qty.
1	41074	POLYURETHANE DOT	2
2	56649	FRONT COVER	1
3	13940-1	HANDLE	1
4	56602-1	FRAME	1
5	56636-1	REAR FRAME BAR	2
6	56637-1	TIE BAR	2
7	56645-1	LH COVER	1
8	56647-1	RH COVER	1
9	56648-1	CONVEYOR COVER	1
10	56650-1	TOP COVER	1
11	56685-1	END COVER	1
12	E-1152-61	STANDOFF	4
13	H-6910-404	SCREW - 1/4-20 X 1/2 BUT HD	4
14	H-6910-102404	SCREW - #10-24 X 1/2 BUT HD	19
15	H-6920-103204	SCREW - #10-32 X 1/2 BUT HD	2
16	H-7324-8	WASHER - 1/4 INT TOOTH	4
17	H-7324-#10	WASHER - #10 INT TOOTH	21
18	S-1781-50	LABEL - ELECTRIC SHOCK	2

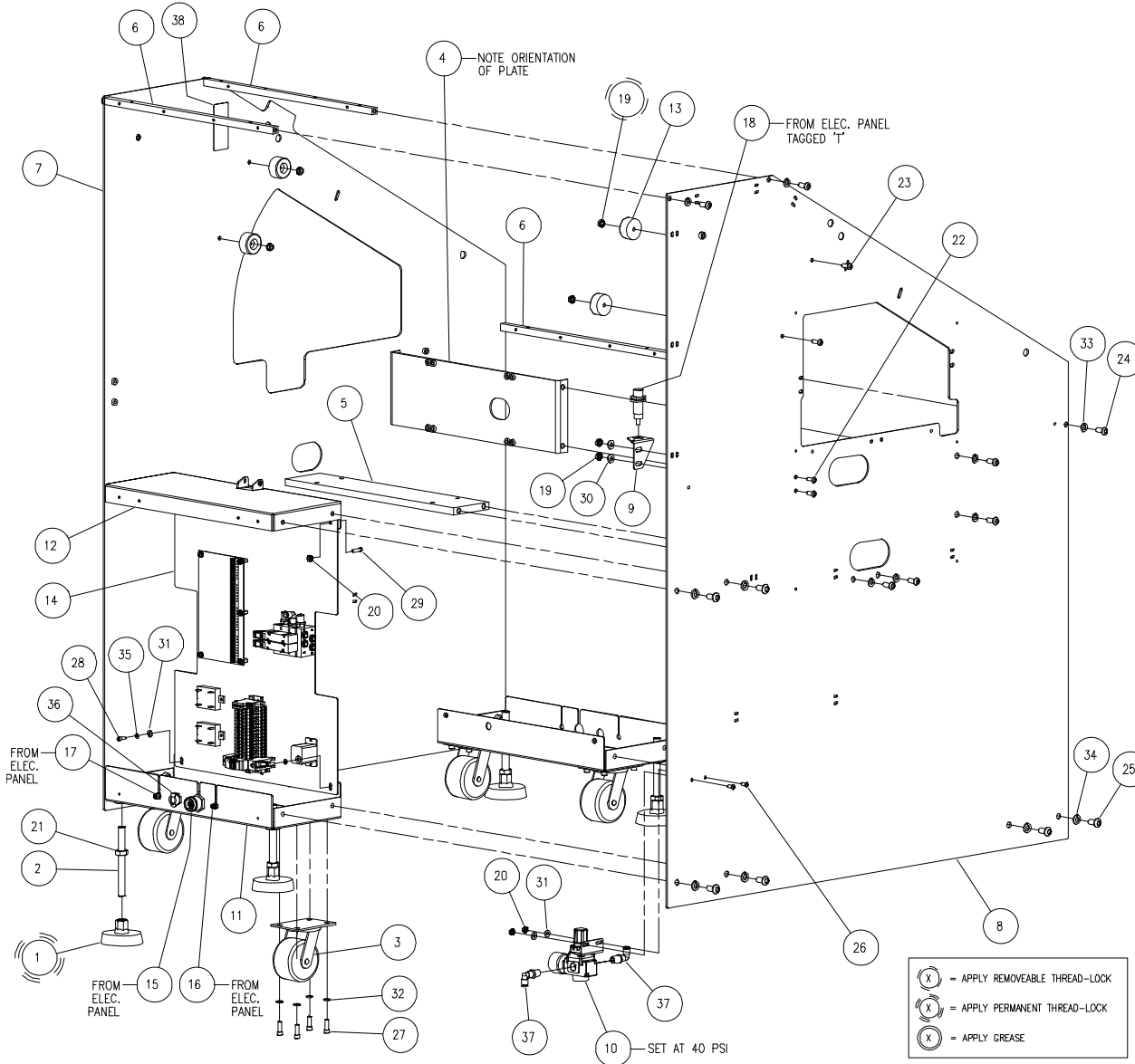
(X)	= APPLY REMOVEABLE THREAD-LOCK
(X)	= APPLY PERMANENT THREAD-LOCK
(X)	= APPLY GREASE

PL 5.60 Tilt Conv. Elec. Panel EE-3547



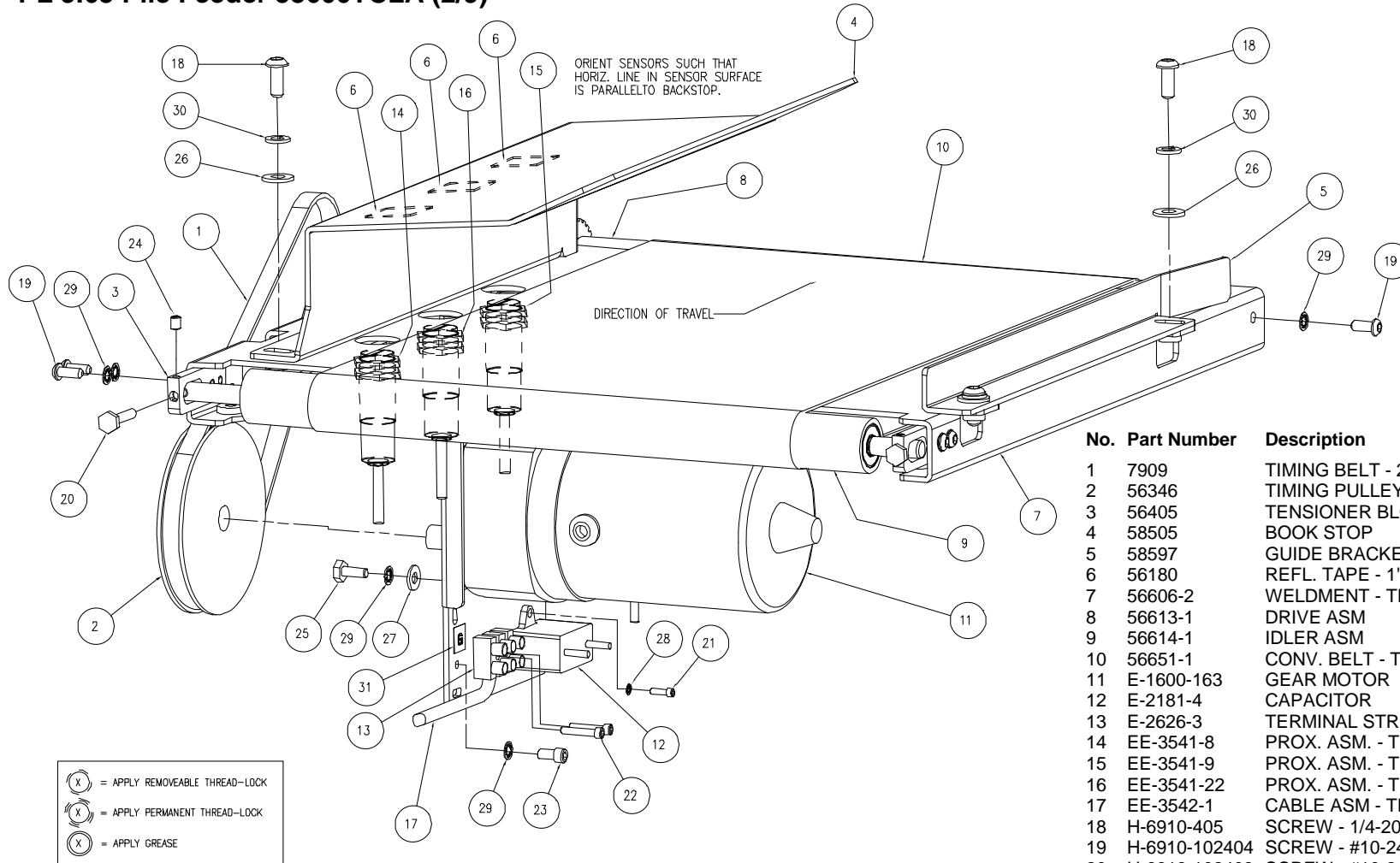
No.	Part Number	Description	Qty.
1	E-1214-65	CONN.- 1/4" FULLY INS. QUICK DISC.	19
2	E-709-R	WIRE - #18 GA. RED MTW 343" TOTAL	1
3	E-2743	WIRE - #18 GA. GRN/YEL 18" LONG	1
4	E-530-15	FUSE HOLDER - METRIC	3
5	E-1977-13	TERMINAL RAIL - 6" LONG	1
6	E-2068-8	TERMINAL BLOCK - #10 AWG	22
7	E-2068-3	TERMINAL BLOCK - GROUNDING	1
8	E-2070-1	END BRACKET	1
9	E-2864	SEPERATOR PLATE	2
10	E-2507-3	FIXED BRIDGE - 3 POLE	2
11	E-1356-()	MARKING STRIP - TERMINAL BLOCK	2
12	E-2064-2	RELAY - SOLID STATE	3
13	E-866-9	LIMIT SWITCH - TILT DOOR CLOSED	2
14	E-3112-2	LIMIT SWITCH - TILT CONVEYOR UP	1
15	EE-3550	PLUG ASM. - IN-COMING SIGNALS	1
16	E-2450-5	PIGTAIL - 9 POS. SIGNAL FROM ELEV.	1
17	EE-3094-1	CABLE ASM.- TILT DOOR INTERLOCK	1
18	EE-2949-8	CABLE ASM. - TILT CONV. MOTOR	1
19	EE-2949-9	CABLE ASM. - REC'R CONV. MOTOR	1
20	EE-3538-2	CABLE ASM. - POWER TO FEEDER	1
21	EE-3541-15	PHOTO-SW. ASM. - TILT CONV. "R"	1
22	EE-3541-14	PHOTO-SW. ASM. - TILT CONV. "L"	1
23	EE-3541-13	PHOTO-SW. ASM. - ENTERING TILT (T)	1
24	EE-3531-23	PLUG ASM. - AIR - TILT CONV. UP	1
25	E-2330-12	FUSE - METRIC, GLASS - 8/10A SB	3
26	E-519	CONDUIT NUT - 1/2" STEEL	2
27	E-2507-2	FIXED BRIDGE - 2 POLE	2
28	56665	PNEUMATIC VALVE ASM.	1
29	56340-1	CONVEYOR DRIVE ASM. - 56 GROOVE	1
30	H-6910-404	SCREW - 3/8-16 X 1/2 BUT HD CAP	8
31	H-6918-63210	SCREW - 6-32 X 1-1/4 SOCKET HD CAP	2
32	H-6918-83204	SCREW - 8-32 X 1/2 SOCKET HD CAP	6
33	H-6918-102404	SCREW -10-24 X 1/2 SOCKET HD CAP	2
34	H-7321-4	WASHER - 1/4 SAE PLAIN	2
35	H-7324-12	WASHER - 3/8 INT. TOOTHLOCK	8
36	H-7324-#6	WASHER - #6 INT. TOOTHLOCK	2
37	H-7324-#8	WASHER - #8 INT. TOOTHLOCK	6
38	H-7324-#10	WASHER - #10 INT. TOOTHLOCK	2
39	H-7327-8	WASHER - 1/4 MEDIUM LOCK	2
40	P-511	SILENCER - 1/4 NPT	2
41	P-515	PUSH-IN CONN. (1/4 FEM PASS-THRU)	1
42	P-500-402	STR. FITTING - 1/4 TUBE X 1/4 NPT	2
43	P-503-402	ELBOW - 1/4 TUBE X 1/4 NPT	1
44	S-1350-16	STRAIN RELIEF BUSHING	2
45	S-1781-42	LABEL - GROUND	2
46	H-6913-404	SCREW - 1/4-20 X 1/2 HEX HD CAP	2
47	56601	CASE - CONVEYOR, TILT	1
48	EE-3541-23	PHOTO-SW. ASM. - TILT CONV. "C"	1
49	EE-3029-7	TERMINAL STRIP ASM. - 'OR' GATE	1




PL 5.62 Pile Feeder 58600TCLA (1/9)



No.	Part Number	Description	Qty.
1	51036	FOOT	4
2	56456	THREADED ROD	4
3	56805	CASTER	4
4	58503	HINGE MOUNTING BRACKET	1
5	58504	BEARING BLOCK SUPPORT	1
6	58539	TIE BAR	3
7	58601	SIDE FRAME- RH	1
8	58602	SIDE FRAME- LH	1
9	47171-1	BRACKET - CLAMP PROX	1
10	56025-1	REGULATOR W/ GAUGE & BRKT	1
11	58004-1	LOWER CROSS BRACKET	2
12	58006-1	CROSS BRACKET - ELEC PANEL	1
13	A-11074-2	FOOT - RUBBER	4
14	EE-3515	ELECTRICAL PANEL ASSEMBLY	1
15	EE-3550	PLUG ASM. - POWER	REF
16	EE-3460-3	PLUG ASM. - MALE, 'CAN'	REF
17	EE-3460-4	PLUG ASM. - FEMALE, 'CAN'	REF
18	EE-3533-4	PROX. ASM.- TILT CONV. "T"	REF
19	H-6423-4	NUT - 1/4-20 HEX KEP	6
20	H-6423-#10	NUT - #10-24 HEX KEP	4
21	H-6424-8	NUT - 1/2-13 HEX JAM	4
22	H-6910-405	SCREW - 1/4-20 X 5/8 BUT HD	2
23	H-6910-406	SCREW - 1/4-20 X 3/4 BUT HD	4
24	H-6910-506	SCREW - 5/16-18 X 3/4 BUT HD	16
25	H-6910-606	SCREW - 3/8-16 X 3/4 BUT HD	10
26	H-6910-102404	SCREW - #10-24 X 1/2 BUT HD	2
27	H-6918-406	SCREW - 1/4-20 X 3/4 SOC HD	16
28	H-6918-102404	SCREW - #10-24 X 1/2 SOC HD	2
29	H-6918-102406	SCREW - #10-24 X 3/4 SOC HD	2
30	H-7321-4	WASHER - 1/4 SAE PLAIN	2
31	H-7321-#10	WASHER - #10 SAE PLAIN	4
32	H-7327-8	WASHER - 1/4 MEDIUM LOCK	16
33	H-7327-10	WASHER - 5/16 MEDIUM LOCK	16
34	H-7327-12	WASHER - 3/8 MEDIUM LOCK	10
35	H-7327-#10	WASHER - #10 MEDIUM LOCK	2
36	P-515	PUSH-IN CONN. (1/4 PASS-THRU)	1
37	P-503-402	ELBOW-1/4 TUBE X 1/4 NPT	2
38	S-1781-15	LABEL - MOVING PARTS HAZARD	1

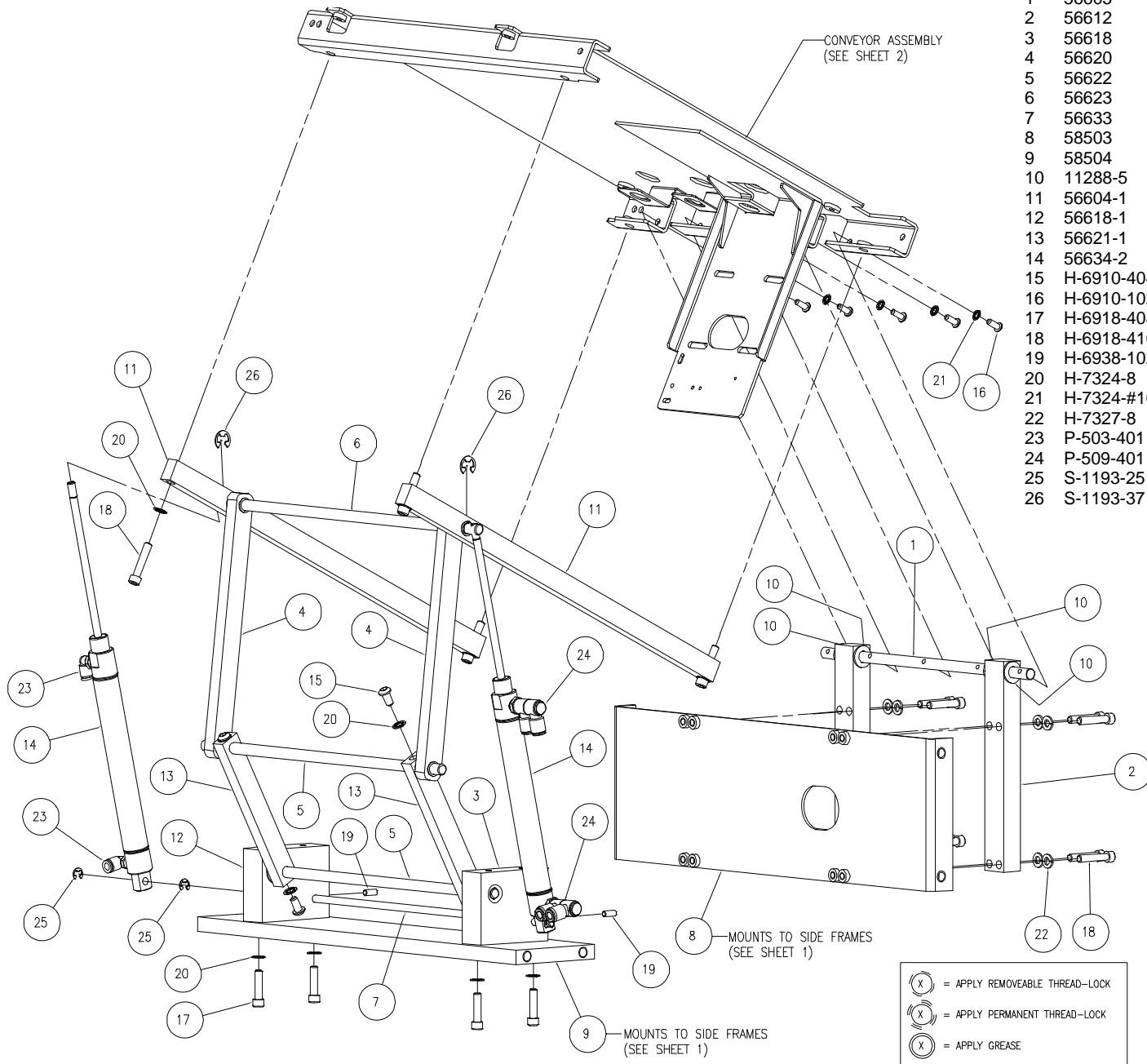
PL 5.63 Pile Feeder 58600TCLA (2/9)



-  = APPLY REMOVEABLE THREAD-LOCK
-  = APPLY PERMANENT THREAD-LOCK
-  = APPLY GREASE

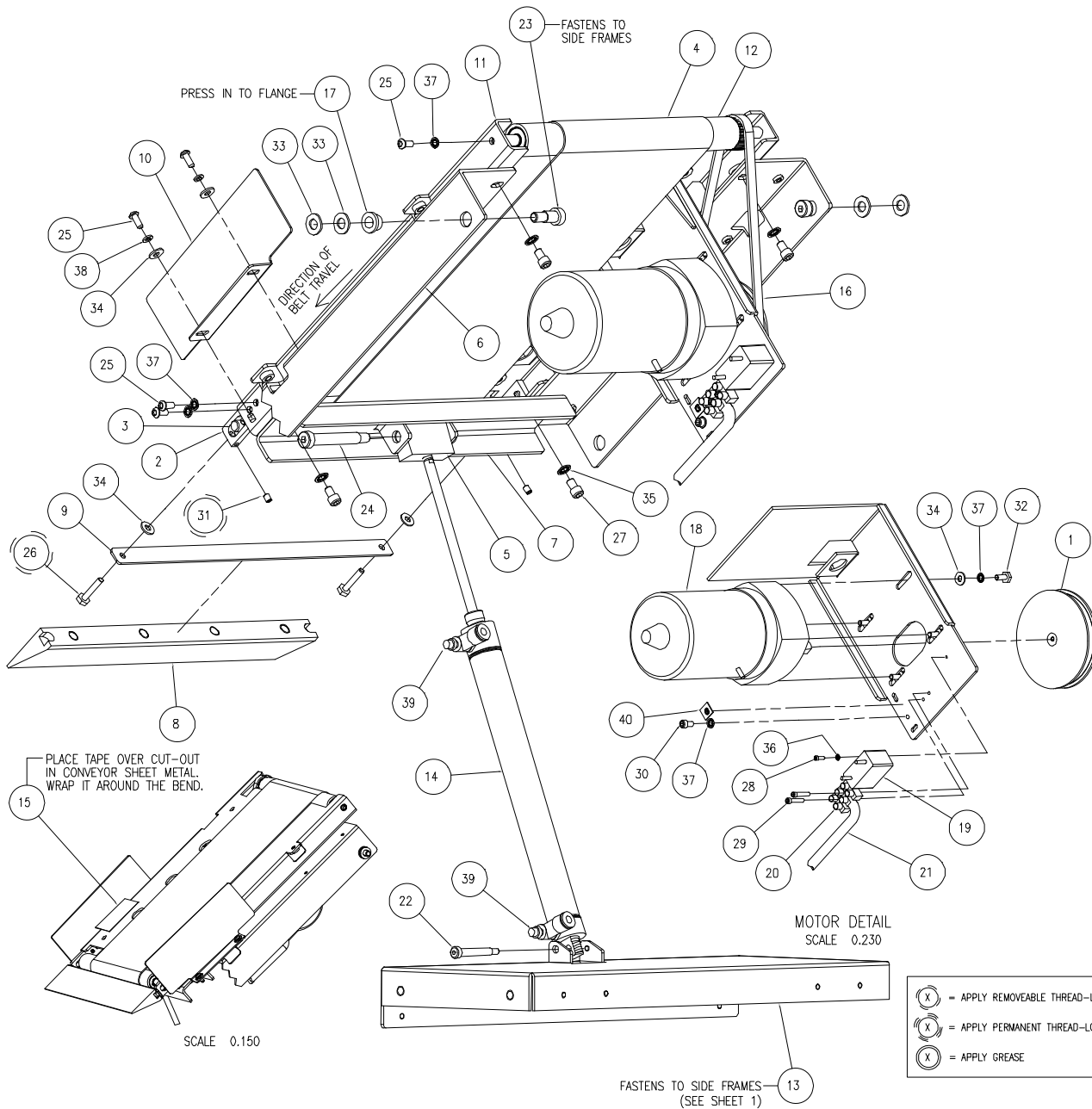
No.	Part Number	Description	Qty.
1	7909	TIMING BELT - 220XL037	1
2	56346	TIMING PULLEY- 56 GROOVE	1
3	56405	TENSIONER BLOCK	2
4	58505	BOOK STOP	1
5	58597	GUIDE BRACKET	1
6	56180	REFL. TAPE - 1" WIDE X 1" LONG	3
7	56606-2	WELDMENT - TILT FRAME	1
8	56613-1	DRIVE ASM	1
9	56614-1	IDLER ASM	1
10	56651-1	CONV. BELT - TILT CONVEYOR	1
11	E-1600-163	GEAR MOTOR	1
12	E-2181-4	CAPACITOR	1
13	E-2626-3	TERMINAL STRIP (3P)	1
14	EE-3541-8	PROX. ASM. - TILT - RH "A"	REF
15	EE-3541-9	PROX. ASM. - TILT - LH "B"	REF
16	EE-3541-22	PROX. ASM. - TILT - CEN. "C"	1
17	EE-3542-1	CABLE ASM - TILT MOTOR "T"	1
18	H-6910-405	SCREW - 1/4-20 X 5/8 BUT HD	4
19	H-6910-102404	SCREW - #10-24 X 1/2 BUT HD	6
20	H-6913-102408	SCREW - #10-24 X 1 HEX HD	2
21	H-6918-44003	SCREW - #4-40 X 3/8 SOC HD	1
22	H-6918-63206	SCREW - #6-32 X 3/4 SOC HD	2
23	H-6918-102403	SCREW - #10-24 X 3/8 SOC HD	1
24	H-6938-102404	SCREW - #10-24 X 1/4 CUP SET	2
25	H-6990-103204	SCREW - #10-32 X 1/2 HEX HD	4
26	H-7321-4	WASHER - 1/4 SAE PLAIN	4
27	H-7321-#10	WASHER - #10 SAE PLAIN	4
28	H-7324-#4	WASHER - #4 INT TOOTH	1
29	H-7324-#10	WASHER - #10 INT TOOTH	11
30	H-7327-8	WASHER - 1/4 MEDIUM LOCK	4
31	S-1781-42	LABEL - GROUND	1

PL 5.64 Pile Feeder 58600TCLA (3/9)



No.	Part Number	Description	Qty.
1	56605	TILT HINGE ROD	1
2	56612	HINGE ASSEMBLY	2
3	56618	BEARING BLOCK ASM. - RH	1
4	56620	LINK ASM	2
5	56622	AXLE	2
6	56623	PUSH ROD	1
7	56633	LOWER CYLINDER MOUNT ROD	1
8	58503	HINGE MOUNTING BRACKET	REF
9	58504	BEARING BLOCK SUPPORT	REF
10	11288-5	WASHER/SPACER	4
11	56604-1	TILT CROSS BAR ASSEMBLY	2
12	56618-1	BEARING BLOCK ASM. - LH	1
13	56621-1	LOWER LINK	2
14	56634-2	AIR CYLINDER	2
15	H-6910-404	SCREW - 1/4-20 X 1/2 BUT HD	4
16	H-6910-102404	SCREW - #10-24 X 1/2 BUT HD	5
17	H-6918-408	SCREW - 1/4-20 X 1 SOC HD	4
18	H-6918-410	SCREW - 1/4-20 X 1-1/4 SOC HD	12
19	H-6938-102408	SCREW - #10-24 X 1/2 CUP SET	2
20	H-7324-8	WASHER - 1/4 INT TOOTH	12
21	H-7324-#10	WASHER - #10 INT TOOTH	5
22	H-7327-8	WASHER - 1/4 MEDIUM LOCK	8
23	P-503-401	ELBOW-1/4 TUBE X 1/8 NPT	2
24	P-509-401	DBLE. UNIV. ELB. 1/4 T X 1/8 NPT	2
25	S-1193-25	E-RING - 1/4"	4
26	S-1193-37	E-RING - 3/8"	2

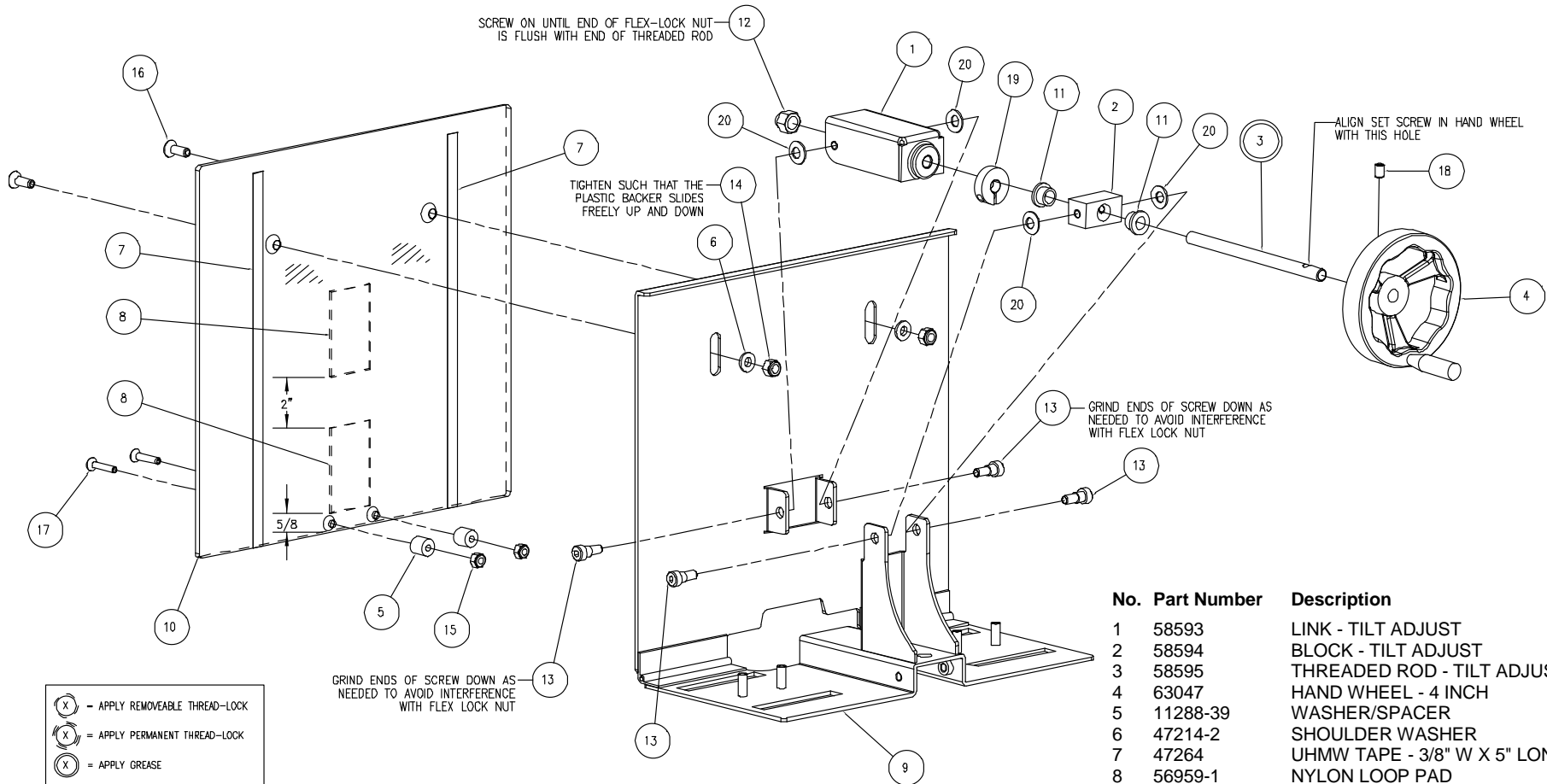
PL 5.65 Pile Feeder 58600TCLA (4/9)



No.	Part Number	Description	Qty.
1	56346	TIMING PULLEY - 56 GROOVE	1
2	56405	TENSIONER BLOCK	2
3	56614	IDLER ASM	1
4	56651	ENDLESS BELT - TILT CONV.	1
5	58015	CYLINDER END BLOCK	1
6	58551	TRANSITION CONV. MNT BKT	2
7	58553	TRANSITION CONV. BRACKET	1
8	58582	CONV. EXTENSION ASSEMBLY	1
9	58583	CONV. EXTENSION MNT BAR	1
10	58589	TRANSITION GUIDE	2
11	56606-1	WELDMENT - TILT FRAME	1
12	56613-2	DRIVE ASM	1
13	58006-1	CROSS BKT - ELEC PANEL	REF
14	58018-1	AIR CYLINDER	1
15	58557-0250	POLYETHYLENE TAPE - .0325 X 2	1
16	7954-1	TIMING BELT - 210XL037	1
17	A-10257-13	FLANGE BEARING	2
18	E-1600-163	GEAR MOTOR	1
19	E-2181-4	CAPACITOR	1
20	E-2626-3	TERMINAL STRIP (3P)	1
21	EE-3542	CABLE ASM - MOTOR "TR"	1
22	H-5254-412	SCREW - 1/4 X 1-1/2 SHSS	1
23	H-5254-604	SCREW - 3/8 X 1/2 SHSS	2
24	H-5254-618	SCREW - 3/8 X 2-1/4 SHSS	1
25	H-6910-102404	SCREW - #10-24 X 1/2 BUT HD	10
26	H-6913-102408	SCREW - #10-24 X 1 HEX HD	2
27	H-6918-403	SCREW - 1/4-20 X 3/8 SOC HD	4
28	H-6918-44003	SCREW - #4-40 X 3/8 SOC HD	1
29	H-6918-63206	SCREW - #6-32 X 3/4 SOC HD	2
30	H-6918-102403	SCREW - #10-24 X 3/8 SOC HD	1
31	H-6938-102404	SCREW - #10-24 X 1/4 CUP SET	2
32	H-6990-103204	SCREW - #10-32 X 1/2 HEX HD	4
33	H-7321-5	WASHER - 5/16 SAE PLAIN	4
34	H-7321-#10	WASHER - #10 SAE PLAIN	10
35	H-7324-8	WASHER - 1/4 INT TOOTH	4
36	H-7324-#4	WASHER - #4 INT TOOTH	1
37	H-7324-#10	WASHER - #10 INT TOOTH	11
38	H-7327-#10	WASHER - #10 MEDIUM LOCK	4
39	P-304	FLOW CTRL ELB.-1/4 T X 1/8 NPT	2
40	S-1781-42	LABEL - GROUND	1

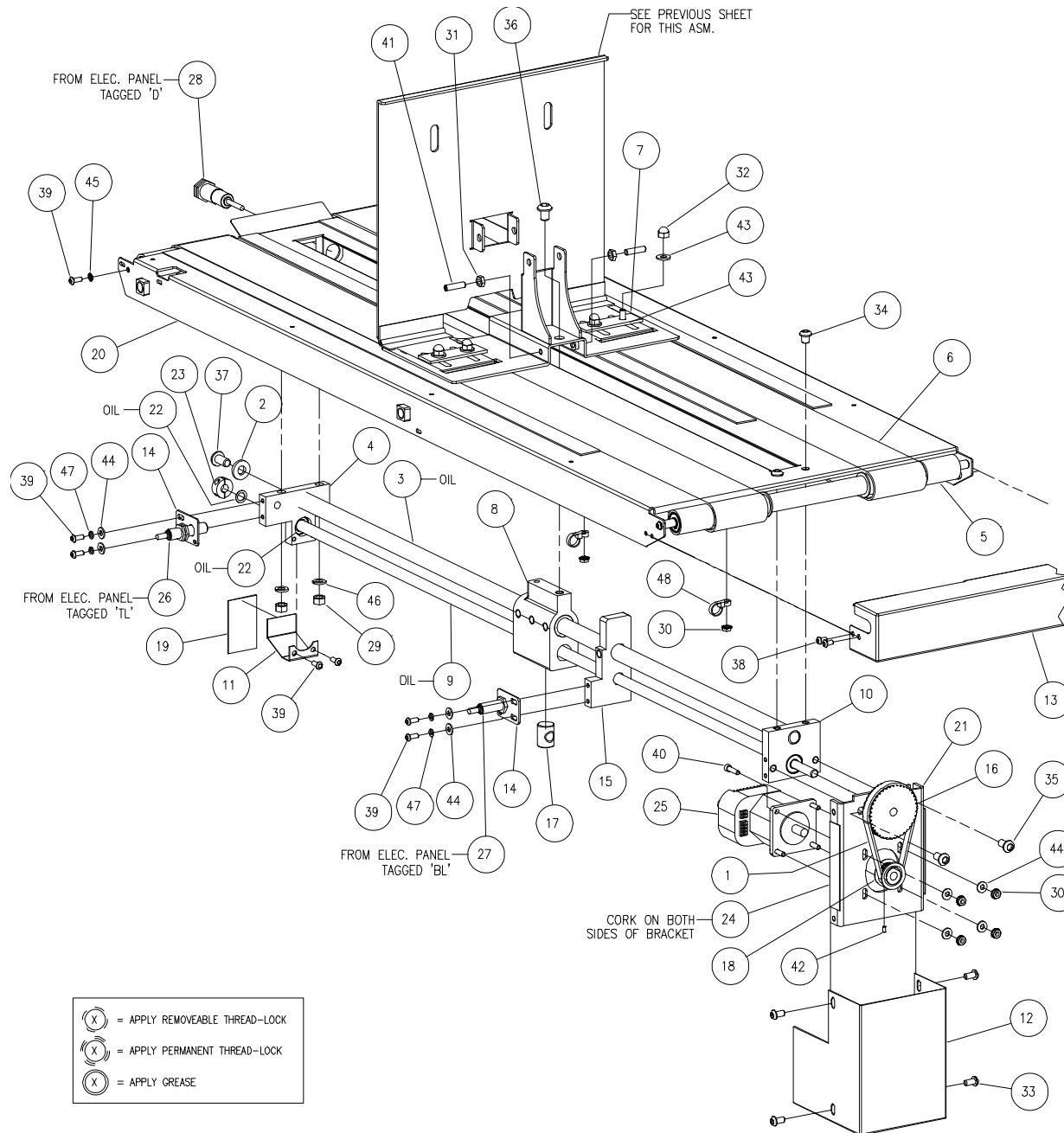
- (X) = APPLY REMOVABLE THREAD-LOCK
- (X) = APPLY PERMANENT THREAD-LOCK
- (X) = APPLY GREASE

PL 5.66 Pile Feeder 58600TCLA (5/9)



No.	Part Number	Description	Qty.
1	58593	LINK - TILT ADJUST	1
2	58594	BLOCK - TILT ADJUST	1
3	58595	THREADED ROD - TILT ADJUST	1
4	63047	HAND WHEEL - 4 INCH	1
5	11288-39	WASHER/SPACER	2
6	47214-2	SHOULDER WASHER	2
7	47264	UHMW TAPE - 3/8" W X 5" LONG	2
8	56959-1	NYLON LOOP PAD	2
9	58511-1	WELDMENT - ADJ. BOOK TILT	1
10	58565-1	BACKER BOARD	1
11	A-10257-13	FLANGE BEARING	2
12	H-5247-6	NUT - 3/8-16 FLEX LOCK	1
13	H-5254-502	SCREW - 5/16 X 1/4 SHSS	4
14	H-6442-4	NUT - 1/4-20 NYLOC	2
15	H-6442-#10	NUT - #10-24 NYLOC	2
16	H-6909-406	SCREW - 1/4-20 X 3/4" FLT HD	2
17	H-6909-102408	SCREW - #10-24 X 1" FLT HD	2
18	H-6938-406	SCREW - 1/4-20 X 3/8 CUP SET	1
19	S-1818-4	THREADED COLLAR	1
20	S-1925-2	SPRING WASHER	4

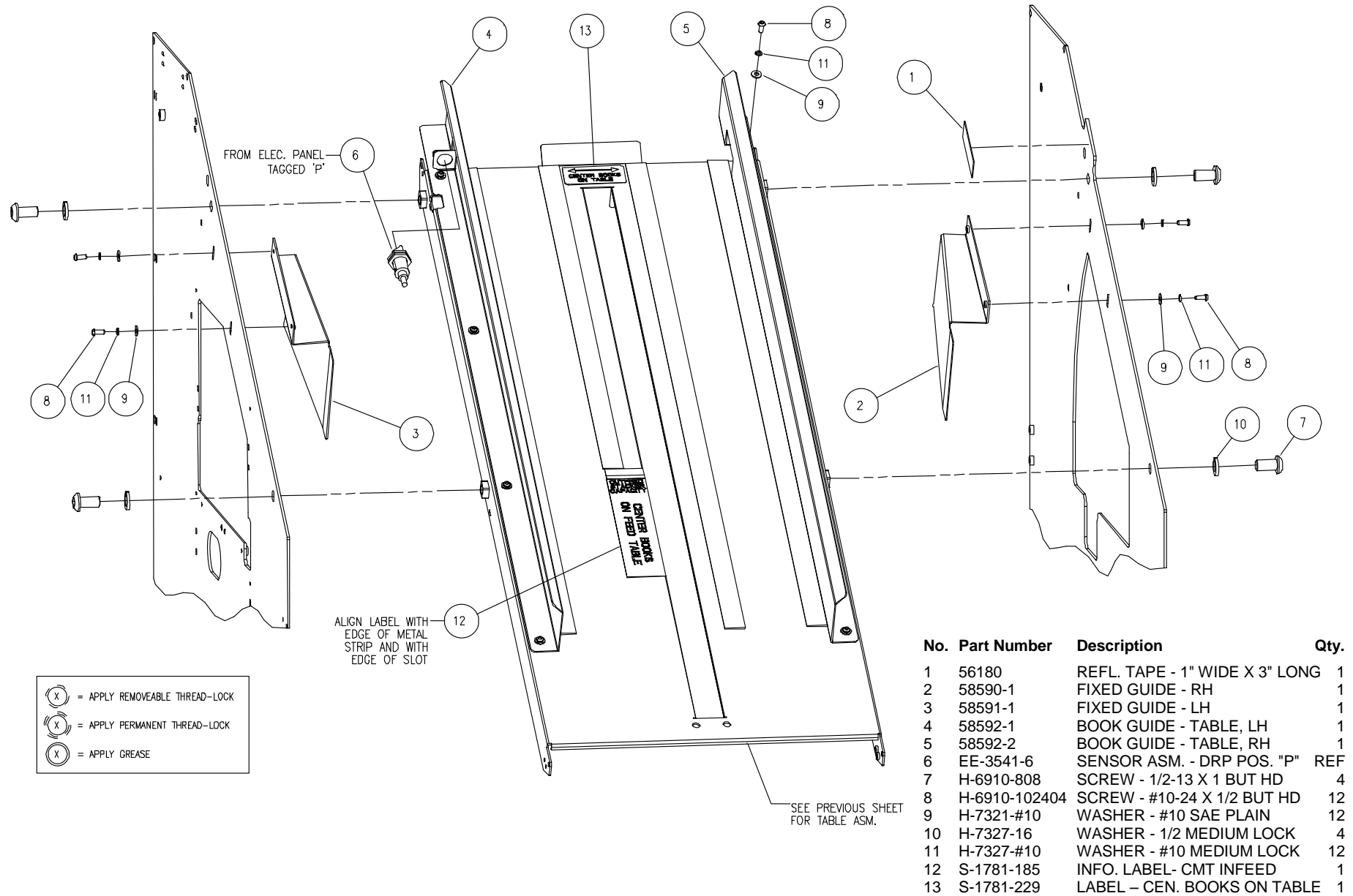
PL 5.67 Pile Feeder 58600TCLA (6/9)



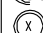


No.	Part Number	Description	Qty.
1	6457	TIMING BELT - 120XL037	1
2	8815	WASHER - 3/8 HEAVY	1
3	58508	GUIDE ROD	1
4	58509	PILLOW BLOCK ASSEMBLY	1
5	58514	PULLEY ASSEMBLY	2
6	58516	BELT	2
7	58517	BELT CLAMP	2
8	58518	PUSHER CARRIAGE ASM	1
9	58519	LEADSCREW- PUSHER	1
10	58521	REAR PILLOW BLOCK ASM.	1
11	58526	PILLOW BLOCK GUARD	1
12	58532	PULLEY COVER	1
13	58536	END COVER	1
14	58538	PROX. BRACKET	2
15	58569	PROX. BLOCK ASSEMBLY	1
16	63207	TIMING PULLEY- 40 GROOVE, XL	1
17	63216	LEADSCREW NUT	1
18	56066-4	TIMING PULLEY - 15 GROOVE XL	1
19	56959-1	NYLON LOOP PAD	1
20	58506-1	TABLE	1
21	58522-1	MOTOR BRACKET	1
22	61065-375030	SHIM- 3/8	2
23	A-10081-4	COLLAR - CLAMP	1
24	A-7545REP004	CORK STRIP- 4"	2
25	EE-3509-1	MOTOR - SHORT	1
26	EE-3533-2	PROX. ASM. - TOP LIMIT "TL"	REF
27	EE-3533-3	PROX. ASM. - LOAD LIMIT "BL"	REF
28	EE-3541-7	SWITCH ASM. - TRANS. - "D"	REF
29	H-6417-5	NUT - 5/16-18 HEX	2
30	H-6423-#10	NUT - #10-24 HEX KEP	7
31	H-6424-4	NUT - 1/4-20 HEX JAM	2
32	H-6431-4	NUT - 1/4-20 ACORN CAP	4
33	H-6910-404	SCREW - 1/4-20 X 1/2 BUT HD	4
34	H-6910-503	SCREW - 5/16-18 X 3/8 BUT HD	2
35	H-6910-505	SCREW - 5/16-18 X 5/8 BUT HD	2
36	H-6910-604	SCREW - 3/8-16 X 1/2 BUT HD	1
37	H-6910-606	SCREW - 3/8-16 X 3/4 BUT HD	1
38	H-6910-102403	SCREW - #10-24 X 3/8 BUT HD	6
39	H-6910-102404	SCREW - #10-24 X 1/2 BUT HD	8
40	H-6918-102406	SCREW - #10-24 X 3/4 SOC HD	4
41	H-6938-416	SCREW - 1/4-20 X 1 CUP SOC SET	2
42	H-6938-63204	SCREW - #6-32 X 1/4 CUP SET	2
43	H-7321-4	WASHER - 1/4 SAE PLAIN	8
44	H-7321-#10	WASHER - #10 SAE PLAIN	8
45	H-7324-#10	WASHER - #10 INT TOOTH	4
46	H-7327-10	WASHER - 5/16 MEDIUM LOCK	2
47	H-7327-#10	WASHER - #10 MEDIUM LOCK	4
48	S-1694-2	TYRAP - #10	3

- = APPLY REMOVEABLE THREAD-LOCK
- = APPLY PERMANENT THREAD-LOCK
- = APPLY GREASE

PL 5.68 Pile Feeder 58600TCLA (7/9)

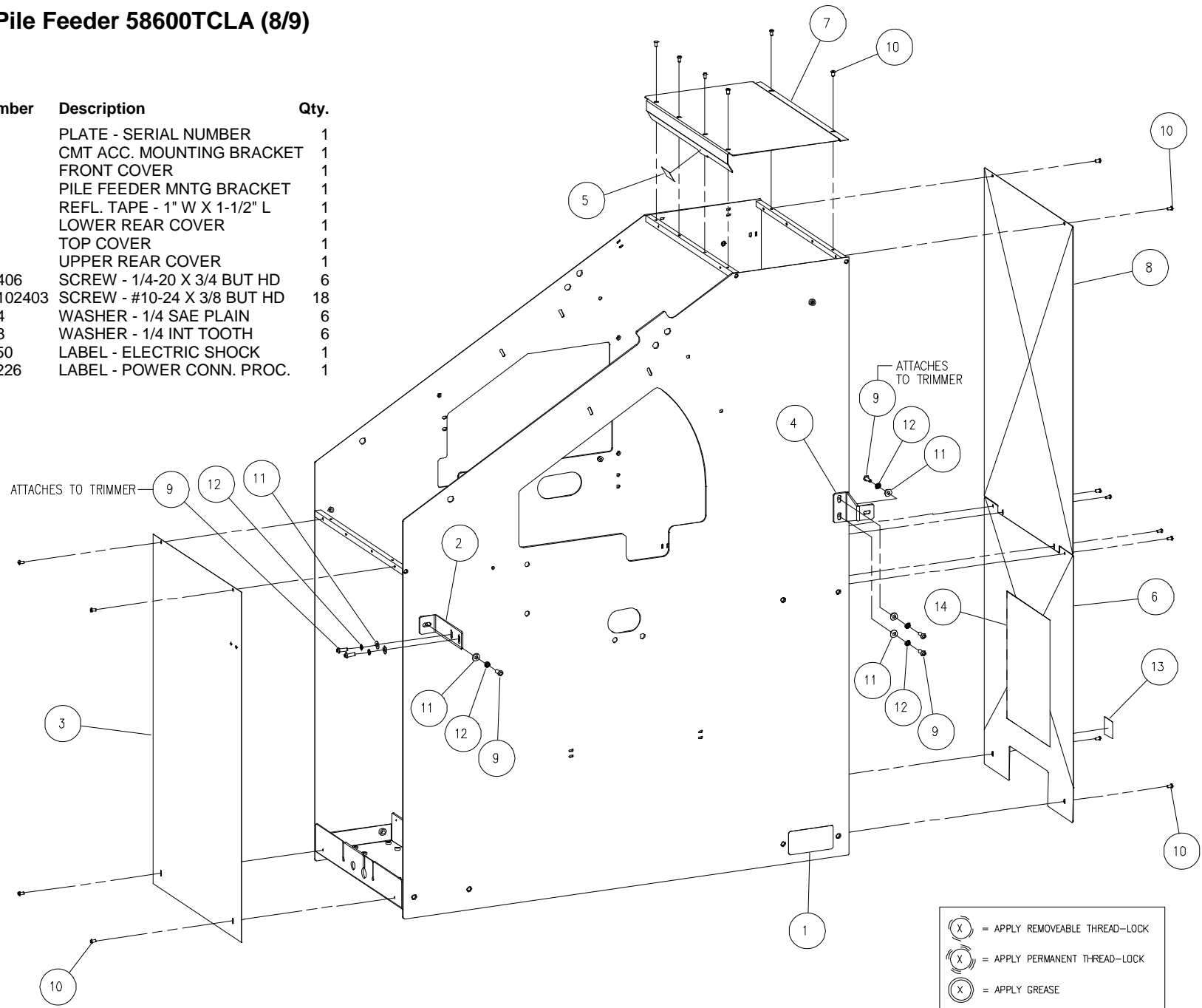


-  = APPLY REMOVEABLE THREAD-LOCK
-  = APPLY PERMANENT THREAD-LOCK
-  = APPLY GREASE

No.	Part Number	Description	Qty.
1	56180	REFL. TAPE - 1" WIDE X 3" LONG	1
2	58590-1	FIXED GUIDE - RH	1
3	58591-1	FIXED GUIDE - LH	1
4	58592-1	BOOK GUIDE - TABLE, LH	1
5	58592-2	BOOK GUIDE - TABLE, RH	1
6	EE-3541-6	SENSOR ASM. - DRP POS. "P"	REF
7	H-6910-808	SCREW - 1/2-13 X 1 BUT HD	4
8	H-6910-102404	SCREW - #10-24 X 1/2 BUT HD	12
9	H-7321-#10	WASHER - #10 SAE PLAIN	12
10	H-7327-16	WASHER - 1/2 MEDIUM LOCK	4
11	H-7327-#10	WASHER - #10 MEDIUM LOCK	12
12	S-1781-185	INFO. LABEL- CMT INFEED	1
13	S-1781-229	LABEL - CEN. BOOKS ON TABLE	1

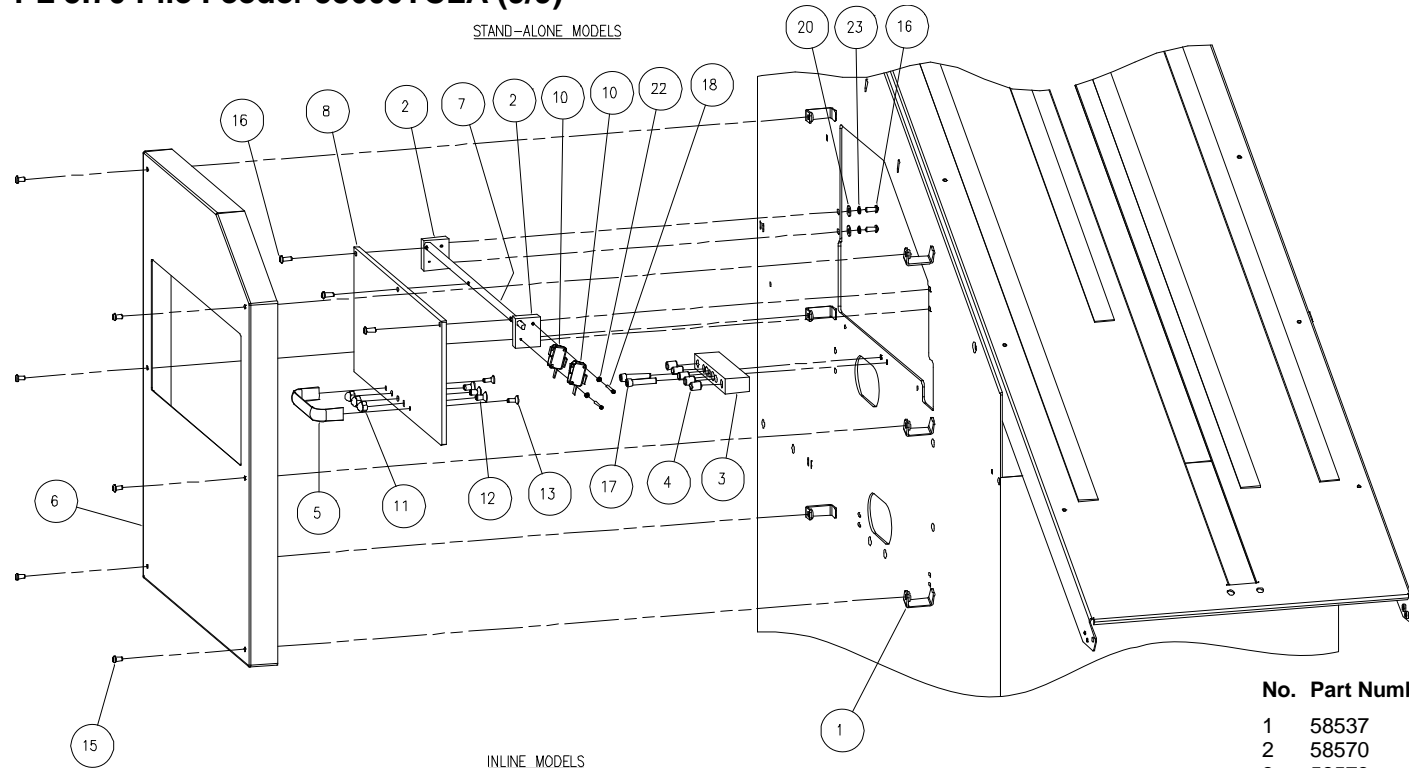
PL 5.69 Pile Feeder 58600TCLA (8/9)

No.	Part Number	Description	Qty.
1	41130	PLATE - SERIAL NUMBER	1
2	56080	CMT ACC. MOUNTING BRACKET	1
3	58541	FRONT COVER	1
4	58598	PILE FEEDER MNTG BRACKET	1
5	56180	REFL. TAPE - 1" W X 1-1/2" L	1
6	58544-1	LOWER REAR COVER	1
7	58560-1	TOP COVER	1
8	58562-1	UPPER REAR COVER	1
9	H-6910-406	SCREW - 1/4-20 X 3/4 BUT HD	6
10	H-6910-102403	SCREW - #10-24 X 3/8 BUT HD	18
11	H-7321-4	WASHER - 1/4 SAE PLAIN	6
12	H-7324-8	WASHER - 1/4 INT TOOTH	6
13	S-1781-50	LABEL - ELECTRIC SHOCK	1
14	S-1781-226	LABEL - POWER CONN. PROC.	1

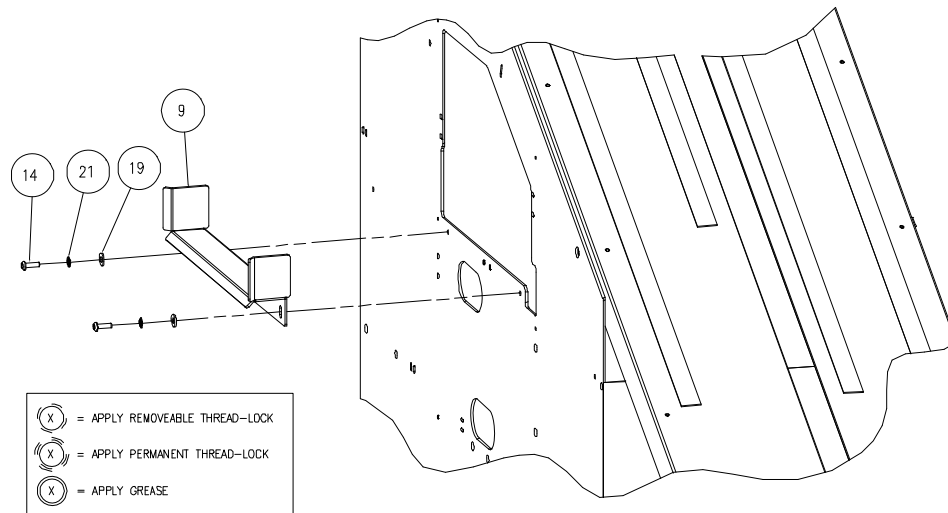


PL 5.70 Pile Feeder 58600TCLA (9/9)

STAND-ALONE MODELS

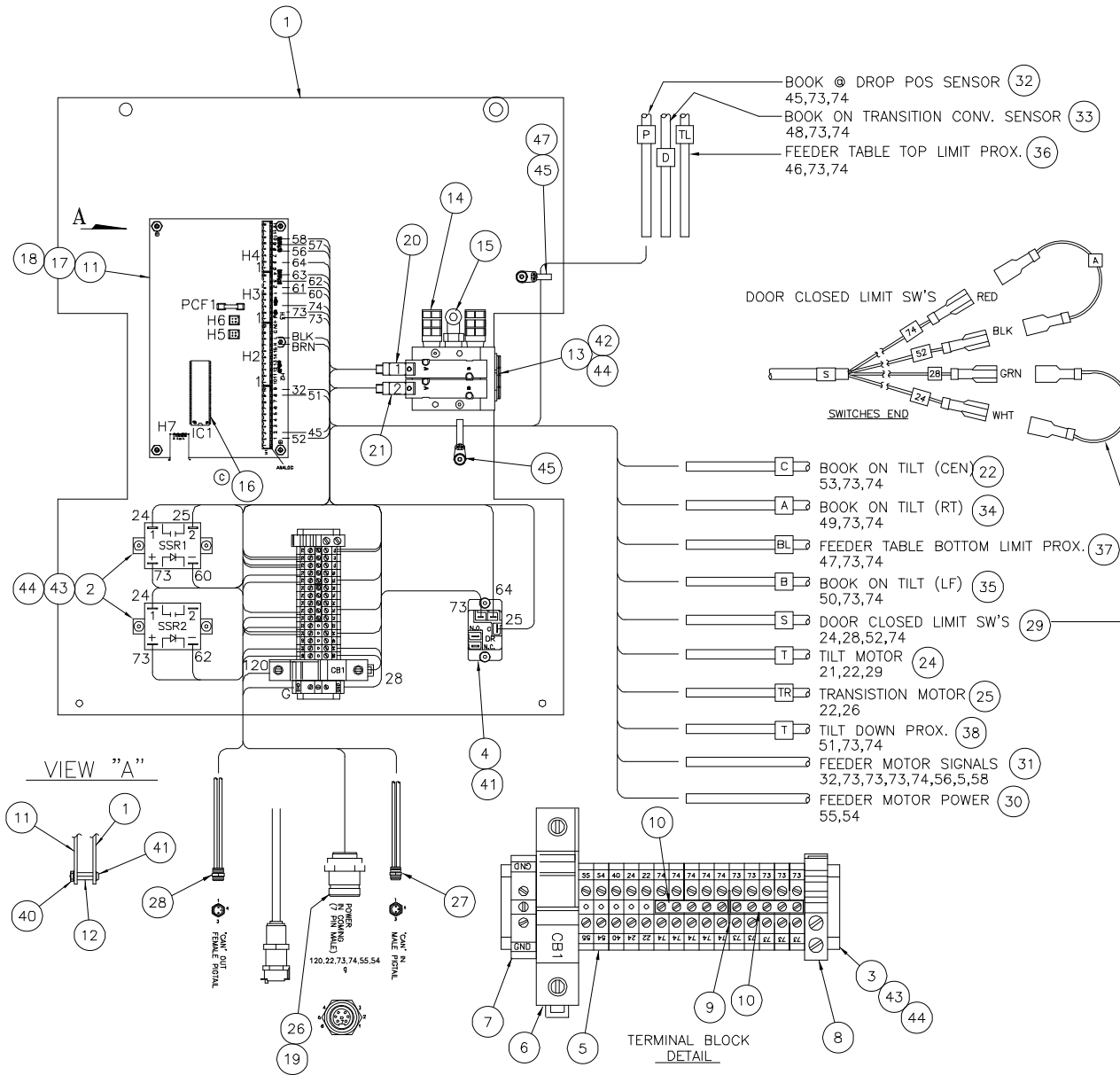


INLINE MODELS



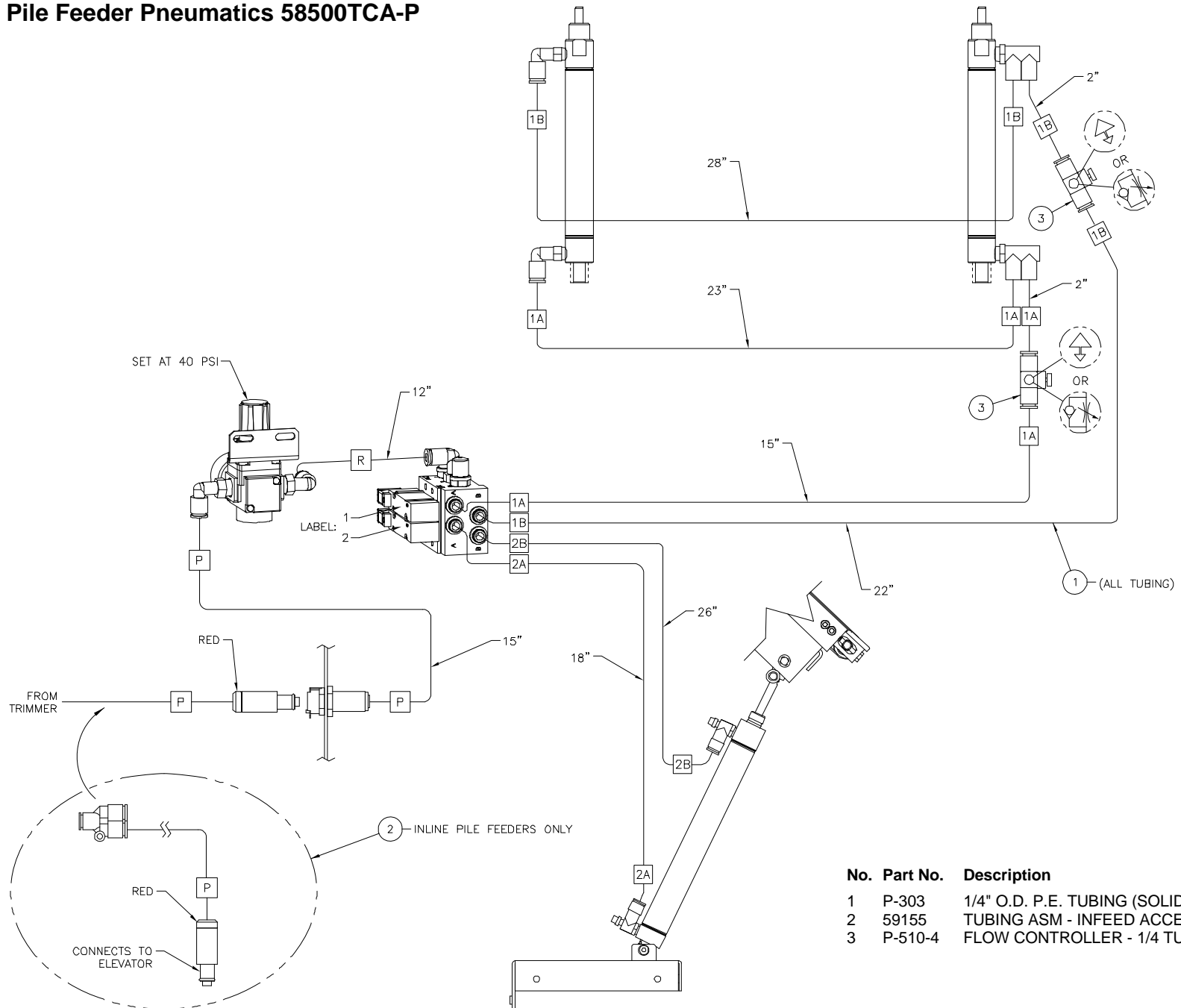
No.	Part Number	Description	Qty.
1	58537	STANDOFF- SHEET METAL	6
2	58570	HINGE BLOCK	2
3	58573	MAGNET KEEPER BLOCK	1
4	60053	MAGNET - RARE EARTH	5
5	13940-1	HANDLE	1
6	58549-2	SIDE COVER	1
7	58571-1	HINGE ROD	1
8	58572-1	DOOR	1
9	58596-1	BRIDGE - ELEVATOR/FEEDER	1
10	E-866-9	POSITIVE ACTION MICROSWITCH	2
11	H-6431-4	NUT - 1/4-20 ACORN CAP	3
12	H-6909-404	SCREW - 1/4-20 X 1/2" FLT HD	3
13	H-6909-102404	SCREW - #10-24 X 1/2" FLT HD	2
14	H-6910-406	SCREW - 1/4-20 X 3/4 BUT HD	2
15	H-6910-102403	SCREW - #10-24 X 3/8 BUT HD	6
16	H-6910-102404	SCREW - #10-24 X 1/2 BUT HD	7
17	H-6918-410	SCREW - 1/4-20 X 1-1/4 SOC HD	2
18	H-6918-44008	SCREW - #4-40 X 1 SOC HD	2
19	H-7321-4	WASHER - 1/4 SAE PLAIN	2
20	H-7321-#10	WASHER - #10 SAE PLAIN	4
21	H-7324-8	WASHER - 1/4 INT TOOTH	2
22	H-7324-#4	WASHER - #4 INT TOOTH	2
23	H-7324-#10	WASHER - #10 INT TOOTH	4

PL 5.71 Pile Feeder Electrical Panel EE-3515



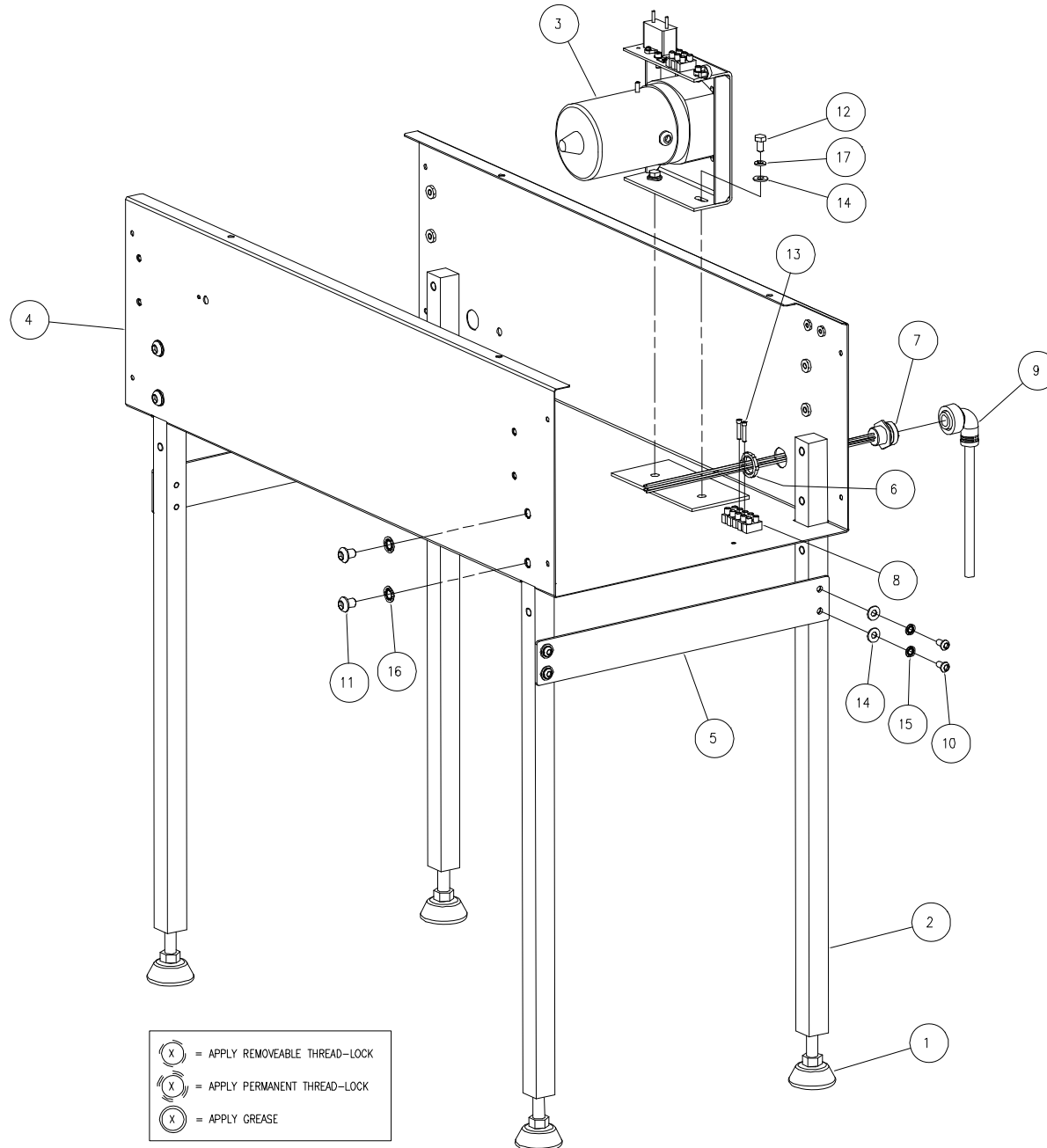
No.	Part No.	Description	Qty.
1	58540-1	PANEL - ELECTRICAL CONTROLS	1
2	E-2064-2	RELAY - SOLID STATE	2
3	E-1977-19	RAIL - TERMINAL - 5-1/2" LONG	1
4	E-2232-4	RELAY - TILT MOTOR DIRECTION	1
5	E-2068-8	TERMINAL BLOCK - #10 AWG., UK 5	15
6	E-3264-2	CIRCUIT BREAKER - 1.6A	1
7	E-2068-3	TERMINAL BLOCK - GROUNDING	1
8	E-2070-1	END BRACKET	1
9	E-2864	SEPERATOR PLATE - TERMINAL BLOCK 1	1
10	E-2507-4	FIXED BRIDGE - 5 POLE	2
11	EE-3508-1	PCB ASSEMBLY - I/O, TC	1
12	E-1152-56	STAND-OFF - 1/2" LONG	5
13	58556	VALVE ASM. - PNEUMATIC	1
14	P-511	SILENCER - PNEUMATIC, 1/4NPT	2
15	P-503-402	CONNECTOR - PNEUMATIC PUSH-IN 90°	1
16	EE-1888-27	IC - PROGRAMMED, TC PILE FEEDER	1
17	E-2066-8	CONNECTOR - PCB PLUG-IN, 8 POS	2
18	E-2066-10	CONNECTOR - PCB PLUG-IN, 10 POS	2
19	E-519	CONDUIT NUT - 1/2" STEEL	1
20	EE-3531-20	PLUG ASM. - AIR SOL., TILT UP (#1)	1
21	EE-3531-21	PLUG ASM. - AIR SOL., TRANS. UP (#2)	1
22	EE-3541-22	PHOTO-SW. ASM. - TILT (CEN) "C"	1
23	E-1214-54	CONNECTOR - 1/4" MALE QUICK DISC.	4
24	EE-3542-1	CABLE ASM. - TILT MOTOR (T)	REF
25	EE-3542	CABLE ASM. - TRANS. MOTOR (TR)	REF
26	EE-3550	PIGTAIL ASM. - 7 POS. MAIN POWER	1
27	EE-3460-5	CABLE PIGTAIL - 3 POS., MALE 'CAN'	1
28	EE-3460-6	CABLE PIGTAIL - 3 POS., FEM. 'CAN'	1
29	EE-3543	CABLE ASM. - DOOR SW'S (LS1,LS2)	1
30	EE-3497-2	CABLE ASM. - SERVO MOTOR POWER	1
31	EE-3498-2	CABLE ASM. - SERVO MOTOR SIGNAL	1
32	EE-3541-6	PHOTO-SW. ASM. - BOOK @ DROP POS.	1
33	EE-3541-7	PHOTO-SW. ASM. - TRANS. CONV.	1
34	EE-3541-8	PHOTO-SW. ASM. - TILT (RH)	1
35	EE-3541-9	PHOTO-SW. ASM. - TILT (LH)	1
36	EE-3533-2	PROX SW. ASM. - TABLE TOP LIMIT	1
37	EE-3533-3	PROX SW. ASM. - TABLE BOT. LIMIT	1
38	EE-3533-4	PROX SW. ASM. - TILT TABLE DOWN	1
39	E-709-R	WIRE - #18 GA. RED MTW 173" TOTAL	1
40	H-6423-#6	NUT, #6-32NC HEX (KEP STYLE)	5
41	H-6910-63203	SCREW, #6-32NC X 3/8" BUT HD CAP	7
42	H-6918-83212	SCREW, #8-32NC X 1-3/4" SOC HD CAP	2
43	H-6910-83203	SCREW, #8-32NC X 3/8" BUT HD CAP	6
44	H-7324-#8	WASHER, #8 INT. TOOTHLOCK	8
45	H-6910-102403	SCREW - #10-24X3/8 BUT HD SOC CAP	7
46	S-1694	TYRAP - CABLE (NOT SHOWN)	14
47	S-1694-2	TYRAP - CABLE, SCREW MOUNT	2
48	E-1214-51	CONNECTOR - 3/16" FULLY INS. Q.D.	2
49	E-1214-65	CONNECTOR - 1/4" FULLY INS. Q.D.	7

PL 5.72 Pile Feeder Pneumatics 58500TCA-P



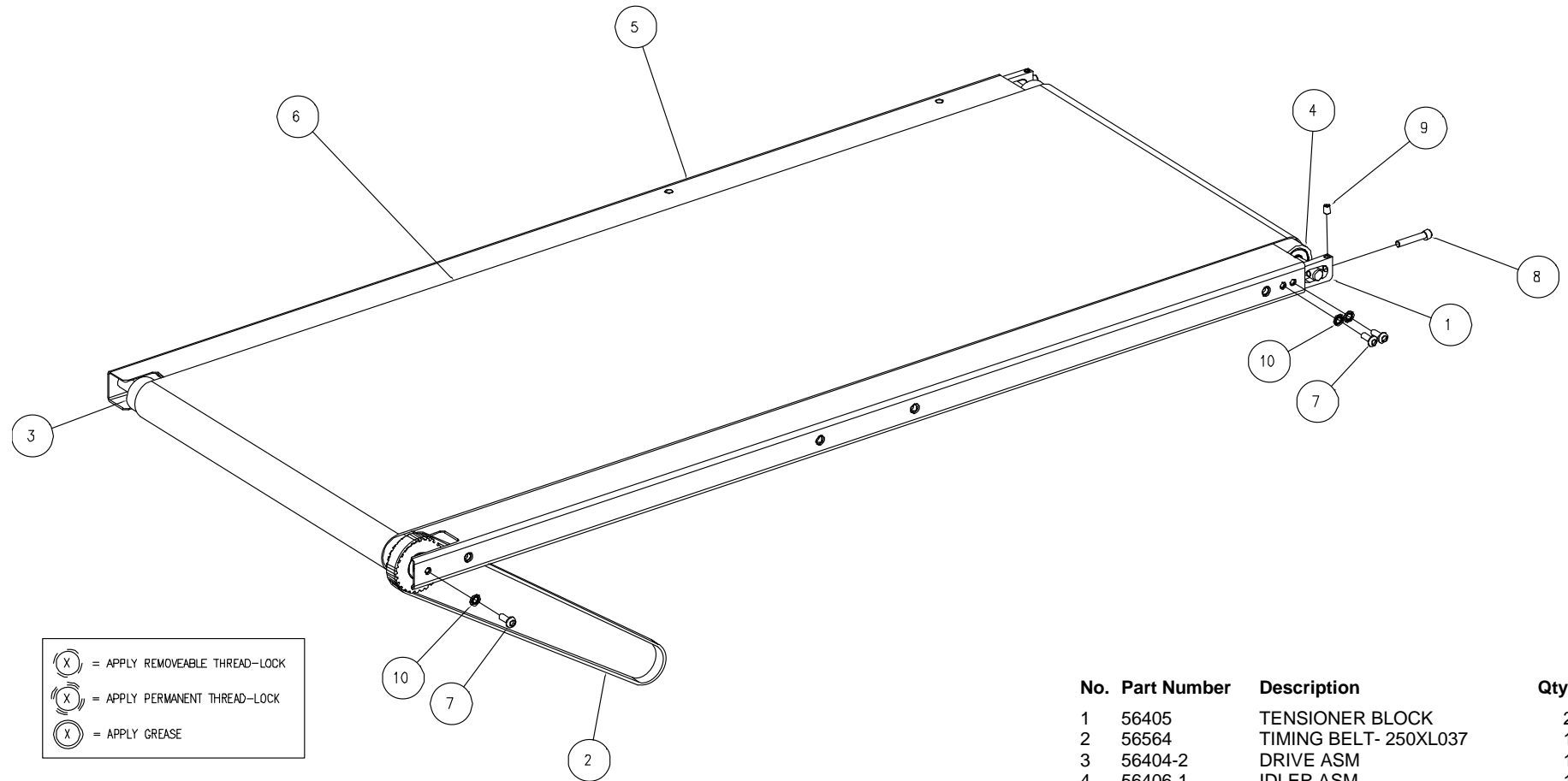
No.	Part No.	Description	Qty.
1	P-303	1/4" O.D. P.E. TUBING (SOLID BLUE)	
2	59155	TUBING ASM - INFEED ACCESSORY	1
3	P-510-4	FLOW CONTROLLER - 1/4 TUBE DIA.	2




PL 5.73 Long Hand-Feed 56433TCLA (1/3)



No.	Part Number	Description	Qty.
1	56410	LEVELING PAD	4
2	56419	LEG	4
3	56340-2	CONV. DRIVE ASM - 20 GROOVE	1
4	56409-2	CONVEYOR CASE	1
5	56463-1	LEG BRACE	2
6	E-519	CONDUIT LOCKNUT	1
7	E-2450-1	CABLE PIGTAIL	1
8	E-2626-5	TERMINAL STRIP (5P)	1
9	EE-3572	CABLE ASM - POWER	1
10	H-6910-404	SCREW - 1/4-20 X 1/2 BUT HD	8
11	H-6910-604	SCREW - 3/8-16 X 1/2 BUT HD	8
12	H-6913-404	SCREW - 1/4-20 X 1/2 HEX HD	2
13	H-6918-63206	SCREW - #6-32 X 3/4 SOC HD	2
14	H-7321-4	WASHER - 1/4 SAE PLAIN	10
15	H-7324-8	WASHER - 1/4 INT TOOTH	8
16	H-7324-12	WASHER - 3/8 INT TOOTH	8
17	H-7327-8	WASHER - 1/4 MEDIUM LOCK	2

PL 5.74 Long Hand-Feed 56433TCLA (2/3)

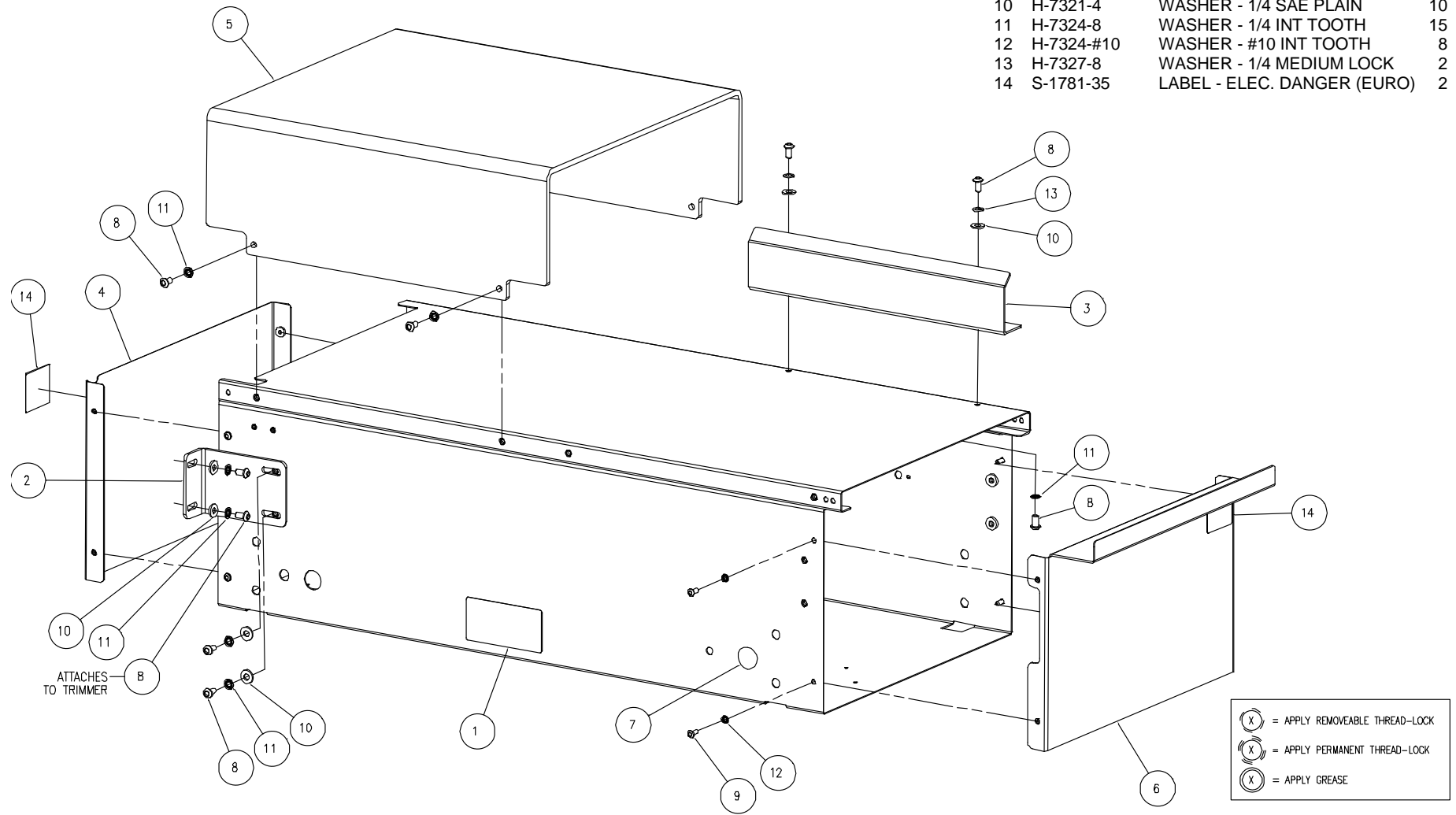


-  = APPLY REMOVEABLE THREAD-LOCK
-  = APPLY PERMANENT THREAD-LOCK
-  = APPLY GREASE

No.	Part Number	Description	Qty.
1	56405	TENSIONER BLOCK	2
2	56564	TIMING BELT- 250XL037	1
3	56404-2	DRIVE ASM	1
4	56406-1	IDLER ASM	1
5	56426-2	FRAME	1
6	56544-1	CONVEYOR BELT	1
7	H-6910-102404	SCREW - #10-24 X 1/2 BUT HD	6
8	H-6918-102408	SCREW - #10-24 X 1 SOC HD	2
9	H-6938-102404	SCREW - #10-24 X 1/4 CUP SET	2
10	H-7324-#10	WASHER - #10 INT TOOTH	6

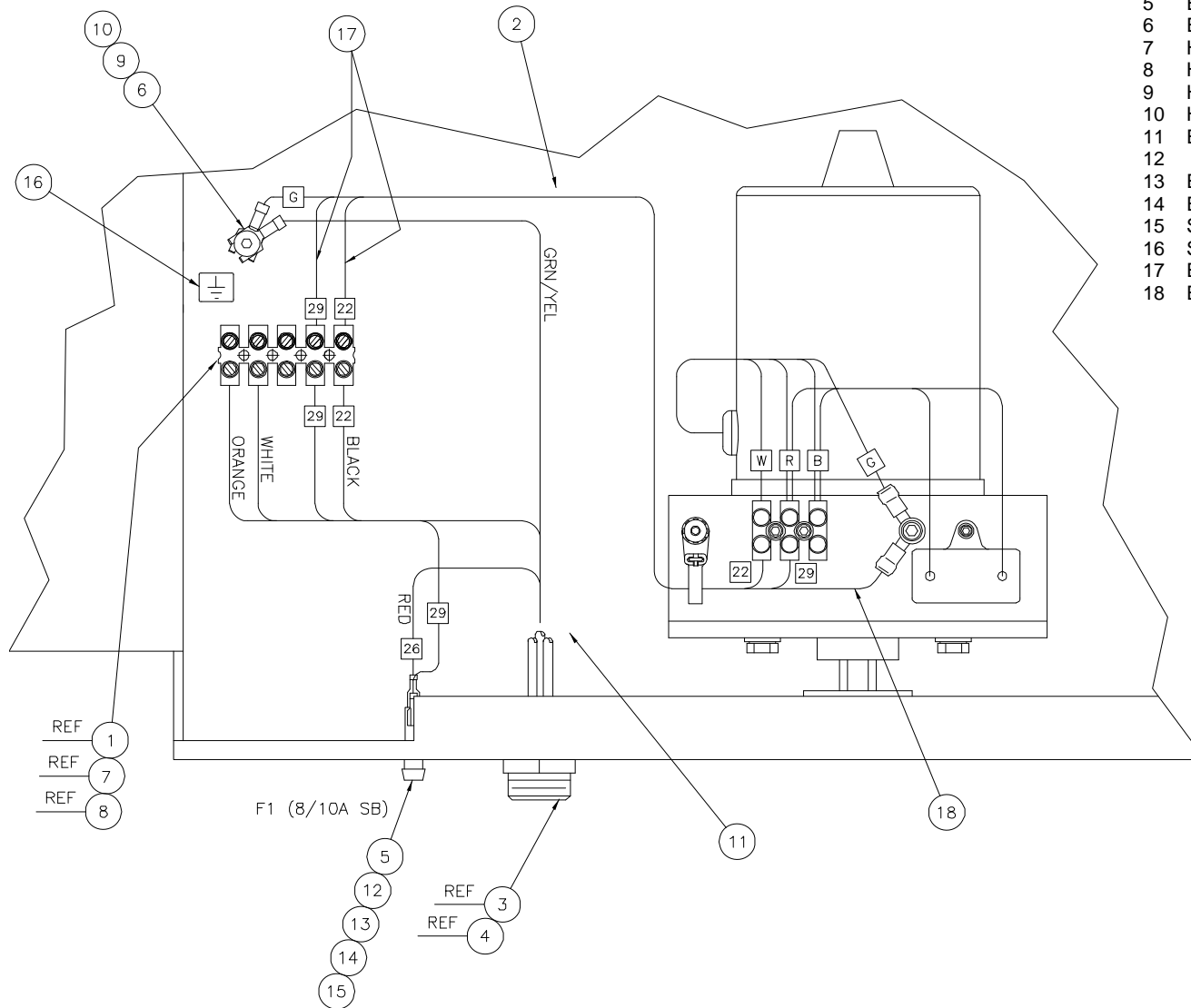
PL 5.75 Long Hand-Feed 56433TCLA (3/3)

No.	Part Number	Description	Qty.
1	14050	SERIAL PLATE	1
2	56416	CONVEYOR MOUNT BRACKET	2
3	59203	INFEED BOOK GUIDE	1
4	56412-1	END COVER	1
5	56467-1	CONVEYOR COVER	1
6	56479-1	END COVER	1
7	E-2196-11	HOLE PLUG	1
8	H-6910-404	SCREW - 1/4-20 X 1/2 BUT HD	17
9	H-6910-102404	SCREW - #10-24 X 1/2 BUT HD	8
10	H-7321-4	WASHER - 1/4 SAE PLAIN	10
11	H-7324-8	WASHER - 1/4 INT TOOTH	15
12	H-7324-#10	WASHER - #10 INT TOOTH	8
13	H-7327-8	WASHER - 1/4 MEDIUM LOCK	2
14	S-1781-35	LABEL - ELEC. DANGER (EURO)	2

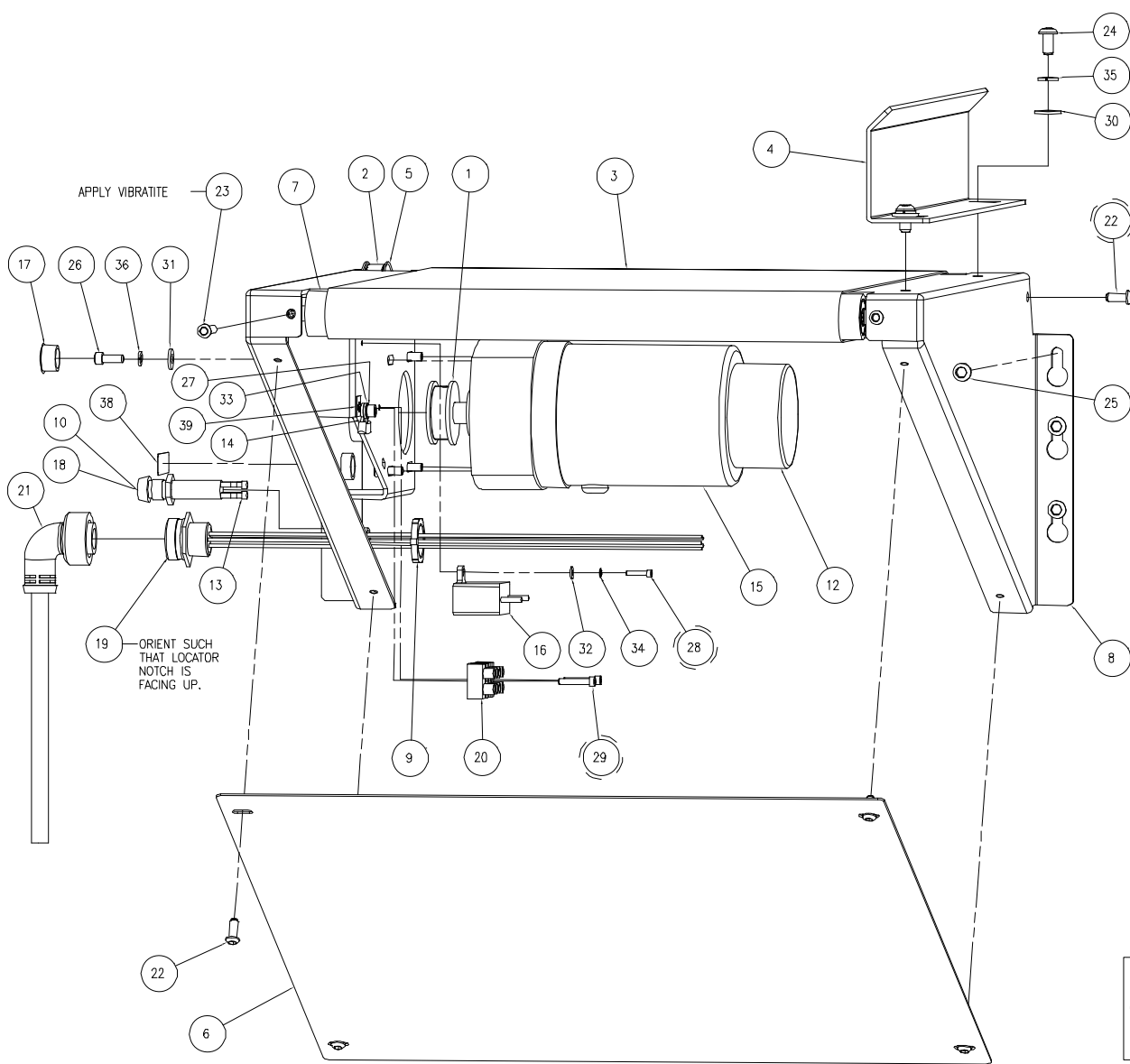


PL 5.76 Long Hand-Feed Elec. EE-2985-1

No.	Part Number	Description	Qty.
1	E-2626-5	TERMINAL STRIP - 5 TERM	REF
2			
3	E-2450-1	CABLE PIGTAIL - 5 PIN MALE	1
4	E-519	CONDUIT LOCKNUT - 1/2"	REF
5	E-1214-49	CONN. - 1/4 FULLY INS. Q.D.	2
6	E-1214-59	CONN. - #10 INS. LOCK FORK	1
7	H-6918-63206	SCREW - #6-32x3/4 SOC HD	REF
8	H-7324-#6	WASHER - #6 INT. TOOTH	REF
9	H-6910-102404	SCREW - #10-24 X 1/2 BUT HD	1
10	H-7324-#10	WASHER - #10 INT. TOOTH	1
11	E-709-R	WIRE - #18 GA. RED, 8"	1
12			
13	E-530-15	CARRIER - FUSE, METRIC	1
14	E-2330-12	FUSE - 8/10A SB METRIC	1
15	S-1781-112	LABEL - FUSE, 8/10A	1
16	S-1781-42	LABEL - GROUND	1
17	H-709-R	WIRE - #18GA. RED MTW 34"	1
18	E-2743	WIRE - #18GA. GREEN/YEL 17"	1



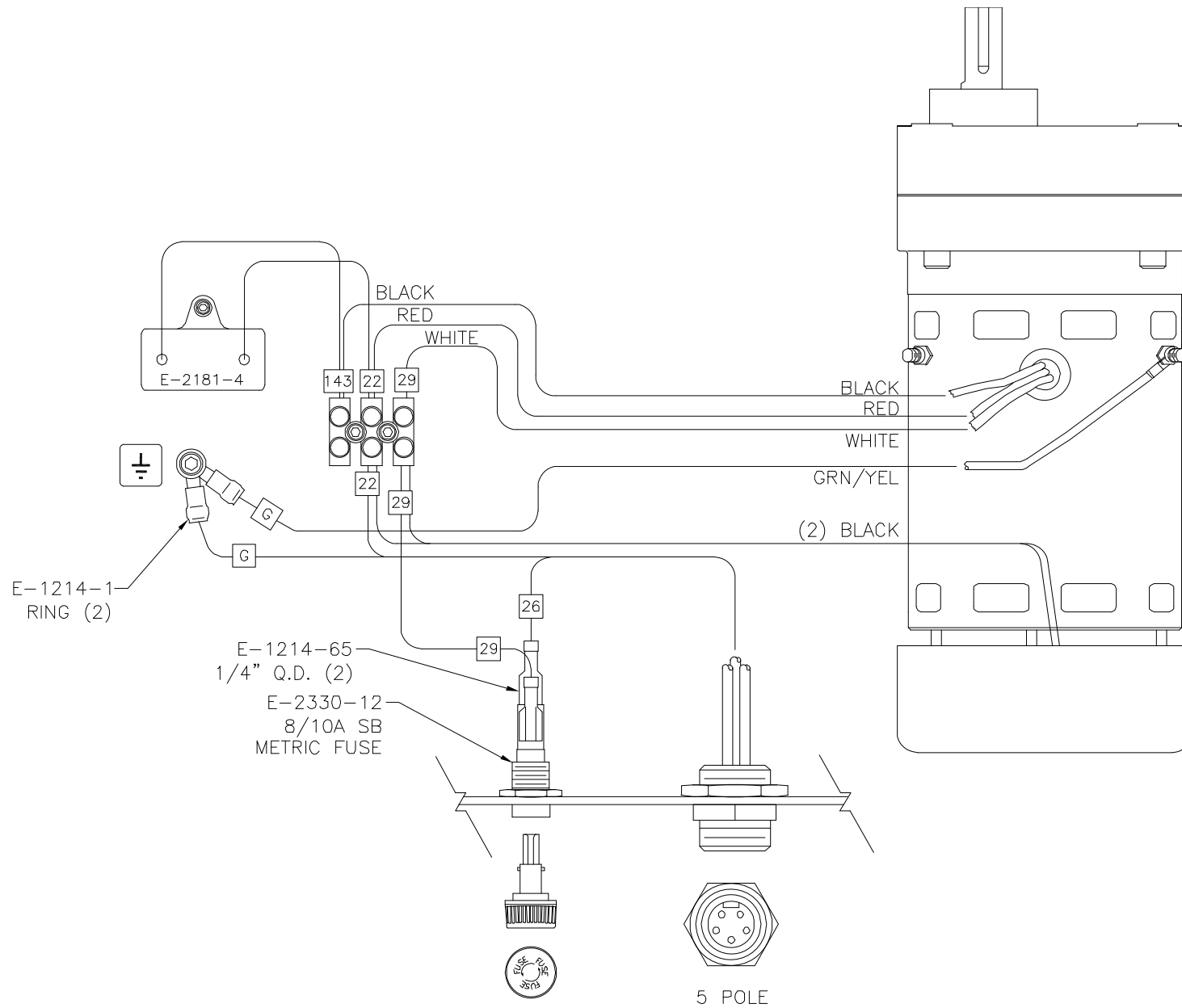
PL 5.77 Std. Hand-Feed Conv. 59230TCLA



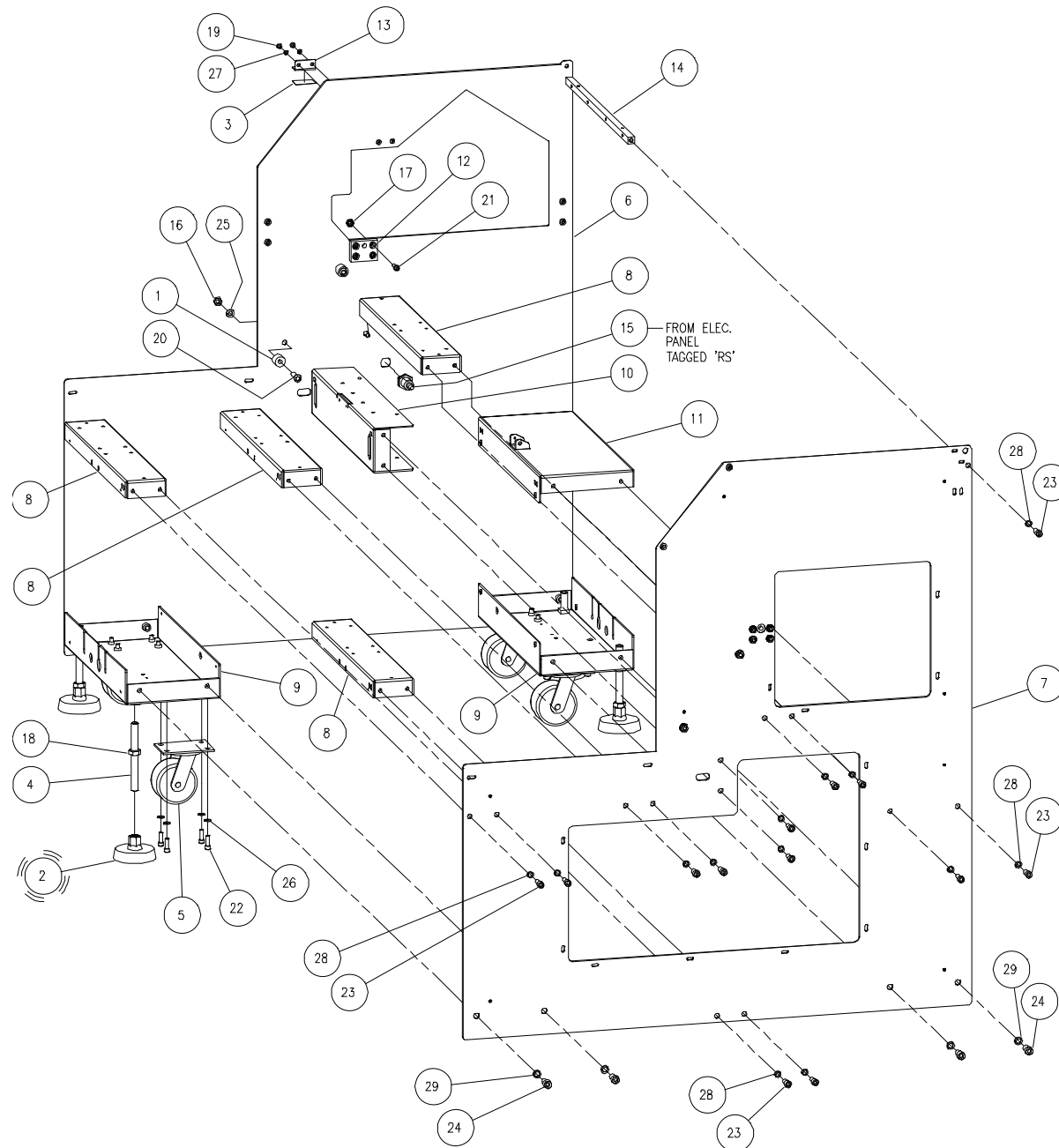
No.	Part Number	Description	Qty.
1	56563	TIMING PULLEY - 20 GROOVE	1
2	59048	TIMING BELT - 110XL037	1
3	59202-1	CONVEYOR BELT	1
4	59203	INFEED BOOK GUIDE	1
5	59205-1	ROLLER ASSEMBLY	1
6	59207-1	INFEED BOTTOM COVER	1
7	59208	ROLLER ASSEMBLY	1
8	59231	INFEED CASE	1
9	E-519	CONDUIT LOCKNUT	1
10	E-530-15	CARRIER- FUSE (METRIC)	1
11	E-709-R	WIRE - #18 GA. RED	12"
12	E-1165-7	BRAKE	1
13	E-1214-65	CONN. - 1/4" FULLY INS. Q.D.	2
14	E-1214-8	CONN. - #10-RING	2
15	E-1600-163	GEAR MOTOR	1
16	E-2181-4	CAPACITOR	1
17	E-2196-8	HOLE PLUG	4
18	E-2330-12	FUSE - METRIC, 8/10 AMP S.B.	1
19	E-2450-1	CABLE PIGTAIL	1
20	E-2626-4	TERMINAL STRIP (4P)	1
21	EE-3572	CABLE ASM - POWER	1
22	H-6910-102404	SCREW - #10-24 X 1/2 BUT HD	6
23	H-6910-102410	SCREW - #10-24 X 1-1/4 BUT HD	2
24	H-6910-404	SCREW - 1/4-20 X 1/2 BUT HD	2
25	H-6910-405	SCREW - 1/4-20 X 5/8 BUT HD	6
26	H-6915-103204	SCREW - #10-32 X 1/2 SOC HD	4
27	H-6918-102404	SCREW - #10-24 X 1/2 SOC HD	1
28	H-6918-44004	SCREW - #4-40 X 1/2 SOC HD	1
29	H-6918-63206	SCREW - #6-32 X 3/4 SOC HD	2
30	H-7321-4	WASHER - 1/4 SAE PLAIN	2
31	H-7321-#10	WASHER - #10 SAE PLAIN	4
32	H-7321-#4	WASHER - #4 SAE PLAIN	1
33	H-7324-#10	WASHER - #10 INT TOOTH	1
34	H-7324-#4	WASHER - #4 INT TOOTH	1
35	H-7327-8	WASHER - 1/4 MEDIUM LOCK	2
36	H-7327-#10	WASHER - #10 MEDIUM LOCK	4
37	S-1694	TYRAP	2
38	S-1781-112	LABEL	1
39	S-1781-42	LABEL - GROUND	1

= APPLY REMOVEABLE THREAD-LOCK
 = APPLY PERMANENT THREAD-LOCK
 = APPLY GREASE


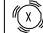
PL 5.78 Std. Hand-Feed Elec. EE-3342



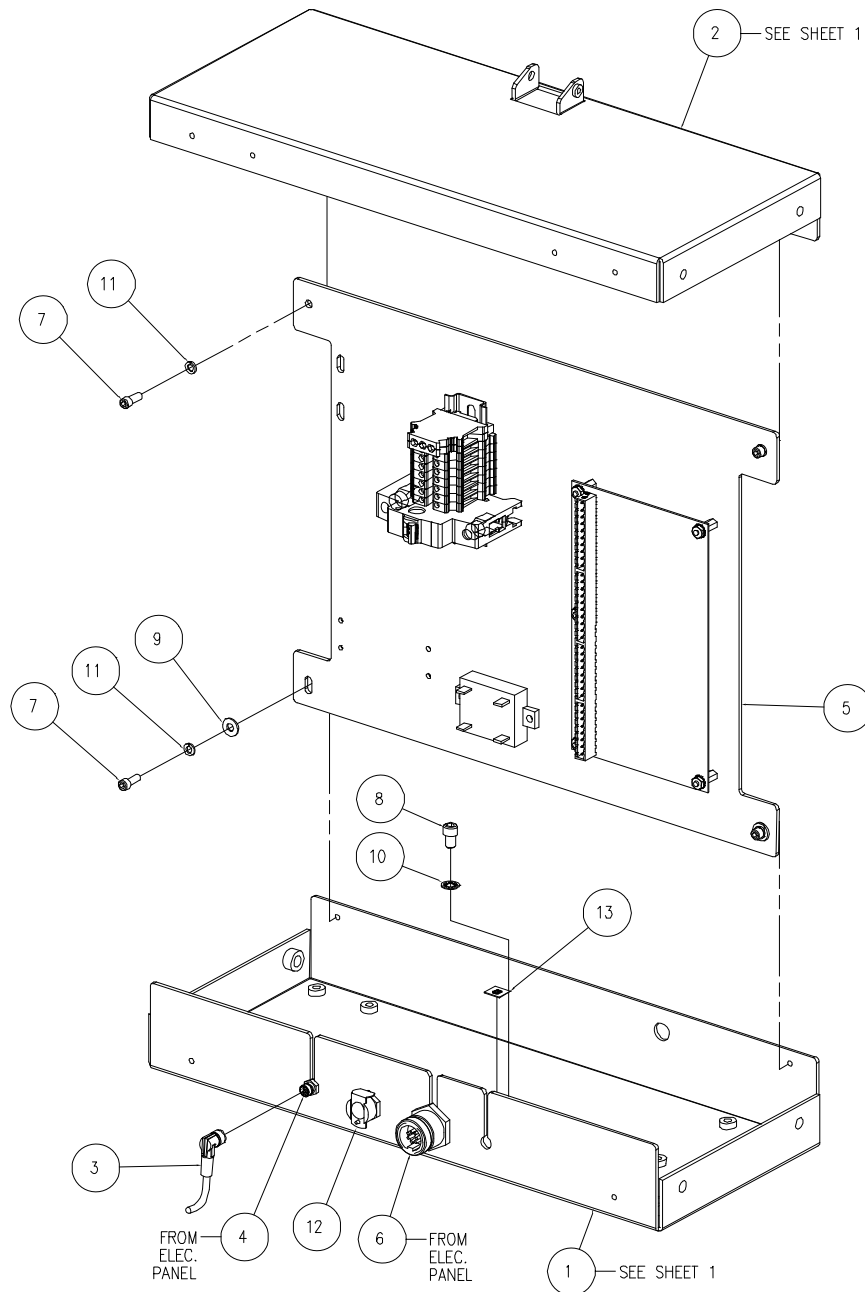
PL 5.79 Outfeed Stacker 58100TCLA (1/9)



No.	Part Number	Description	Qty.
1	11288-35	WASHER/SPACER	4
2	51036	FOOT	4
3	56180	REFL. TAPE - 1" W X 1-1/2" L	1
4	56456	THREADED ROD	4
5	56805	CASTER	4
6	58001-1	SIDE FRAME LH	1
7	58002-1	SIDE FRAME RH	1
8	58003	CROSS BRACKET	4
9	58004-1	LOWER CROSS BRACKET	2
10	58005	CROSS BRACKET	1
11	58006-1	CROSS BRACKET - ELEC PANEL	1
12	58012	BEARING BLOCK	2
13	58029-1	REFLECTOR BRACKET	1
14	58539	TIE BAR	1
15	EE-3541-5	PROX. ASM. - (RS)	REF
16	H-6417-5	NUT - 5/16-18 HEX	4
17	H-6423-4	NUT - 1/4-20 HEX KEP	8
18	H-6424-8	NUT - 1/2-13 HEX JAM	4
19	H-6910-102403	SCREW - #10-24 X 3/8 BUT HD	2
20	H-6910-510	SCREW - 5/16-18 X 1-1/4 BUT HD	4
21	H-6918-405	SCREW - 1/4-20 X 5/8 SOC HD	8
22	H-6918-406	SCREW - 1/4-20 X 3/4 SOC HD	16
23	H-6918-506	SCREW - 5/16-18 X 3/4 SOC HD	26
24	H-6918-606	SCREW - 3/8-16 X 3/4 SOC HD	8
25	H-7327-10	WASHER - 5/16 MEDIUM LOCK	4
26	H-7327-8	WASHER - 1/4 MEDIUM LOCK	16
27	H-7327-#10	WASHER - #10 MEDIUM LOCK	2
28	H-7329-5	WASHER - 5/16 HIGH COL. LOCK	26
29	H-7329-6	WASHER - 3/8 HIGH COL. LOCK	8

 = APPLY REMOVABLE THREAD-LOCK
 = APPLY PERMANENT THREAD-LOCK

PL 5.80 Outfeed Stacker 58100TCLA (2/9)

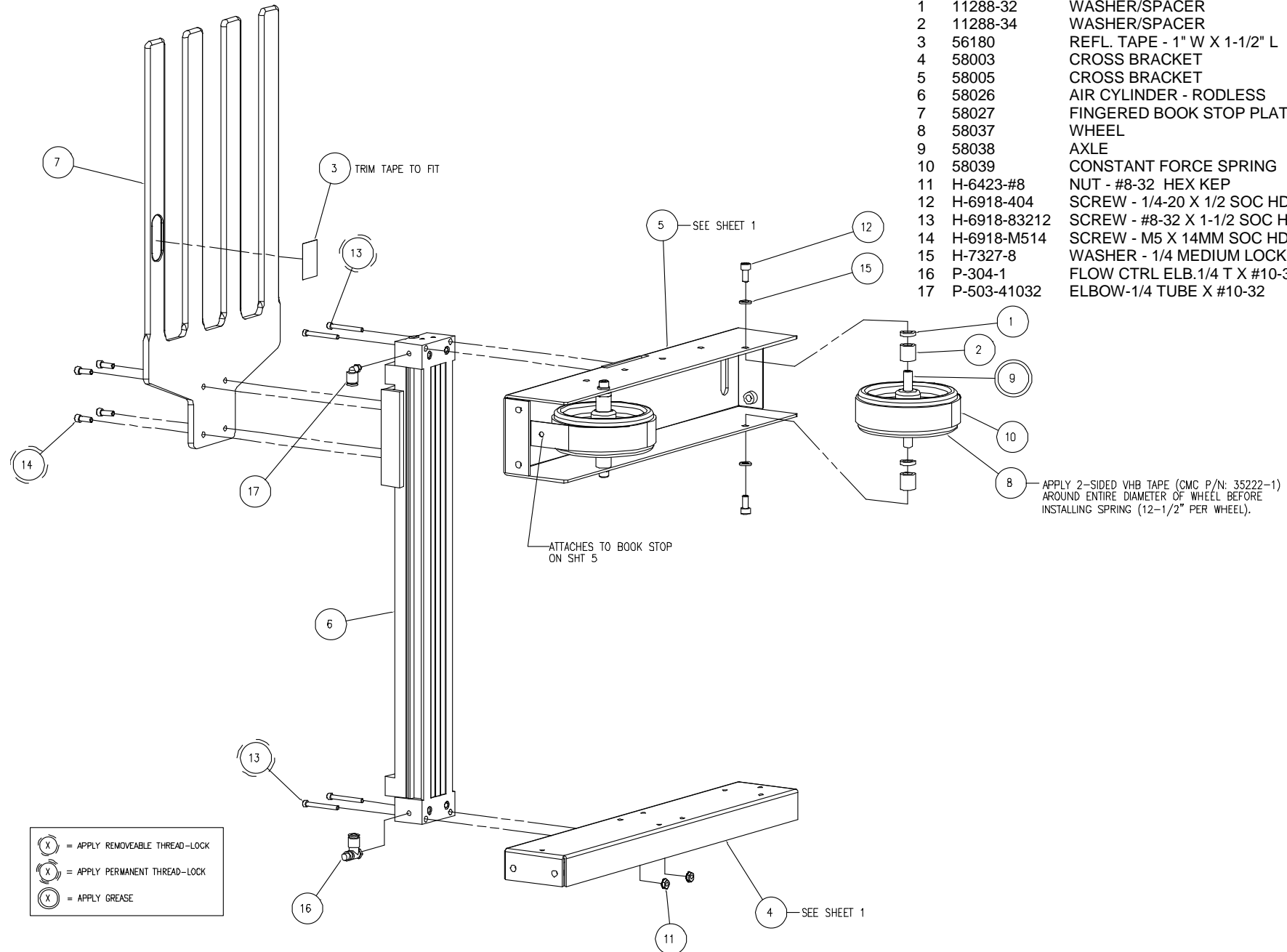


No.	Part Number	Description	Qty.
1	58004-1	LOWER CROSS BRACKET	REF
2	58006-1	CROSS BRKT - ELEC PANEL	REF
3	E-3505-1	'CAN' CABLE JUMPER	1
4	EE-3460-3	PLUG ASM. - MALE, 'CAN'	REF
5	EE-3518	ELECTRICAL PANEL ASM.	1
6	EE-3550	PLUG ASM. - MALE, POWER	REF
7	H-6918-102404	SCREW - #10-24 X 1/2 SOC HD	4
8	H-6918-403	SCREW - 1/4-20 X 3/8 SOC HD	1
9	H-7321-#10	WASHER - #10 SAE PLAIN	2
10	H-7324-8	WASHER - 1/4 INT TOOTH	1
11	H-7327-#10	WASHER - #10 MEDIUM LOCK	4
12	P-515	PUSH-IN CONN. (1/4 FEM)	1
13	S-1781-42	LABEL - GROUND	1

= APPLY REMOVEABLE THREAD-LOCK
 = APPLY PERMANENT THREAD-LOCK

PL 5.81 Outfeed Stacker 58100TCLA (3/9)

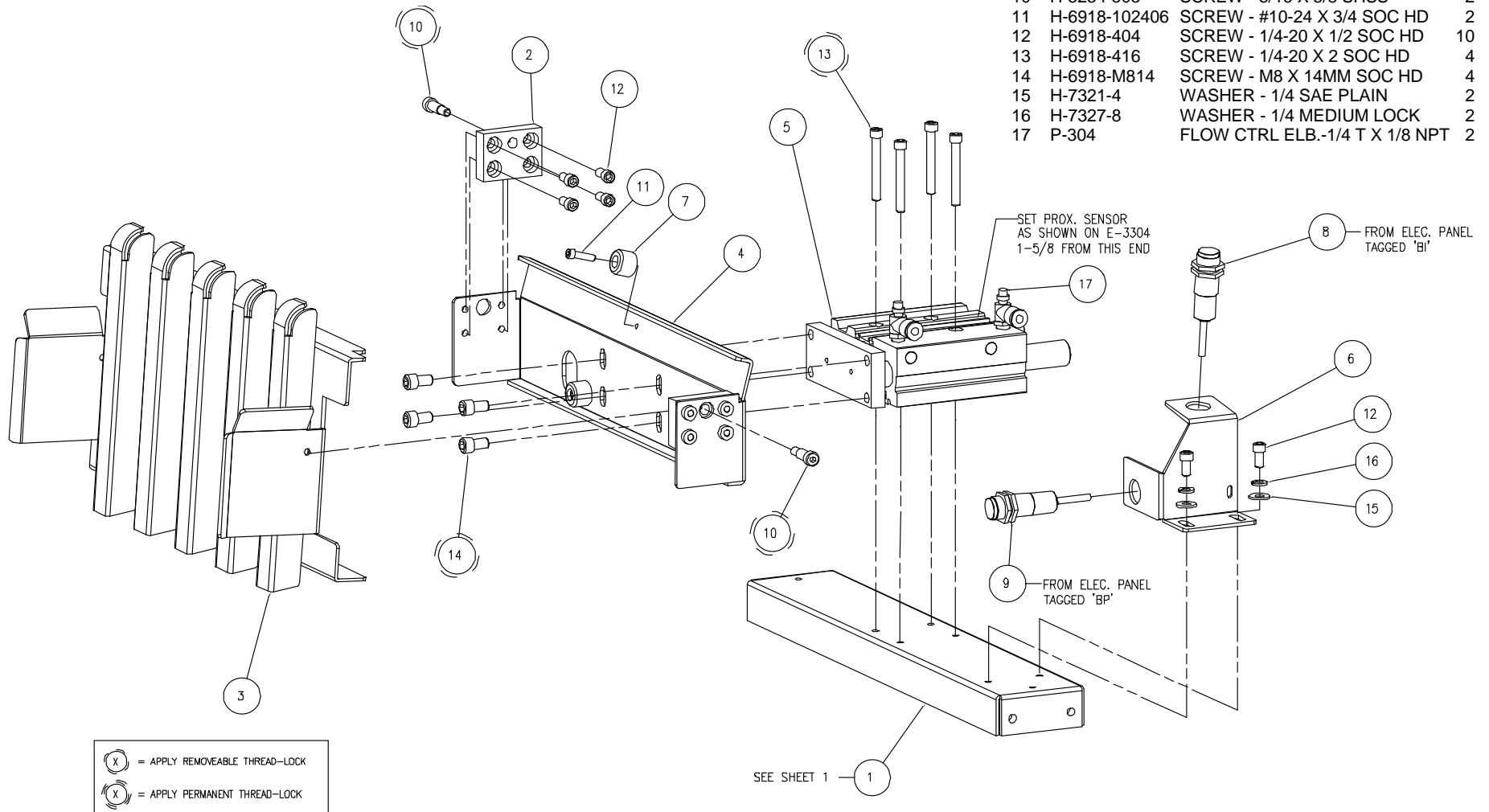
No.	Part Number	Description	Qty.
1	11288-32	WASHER/SPACER	4
2	11288-34	WASHER/SPACER	4
3	56180	REFL. TAPE - 1" W X 1-1/2" L	1
4	58003	CROSS BRACKET	REF
5	58005	CROSS BRACKET	REF
6	58026	AIR CYLINDER - RODLESS	1
7	58027	FINGERED BOOK STOP PLATE	1
8	58037	WHEEL	2
9	58038	AXLE	2
10	58039	CONSTANT FORCE SPRING	2
11	H-6423-#8	NUT - #8-32 HEX KEP	2
12	H-6918-404	SCREW - 1/4-20 X 1/2 SOC HD	4
13	H-6918-83212	SCREW - #8-32 X 1-1/2 SOC HD	4
14	H-6918-M514	SCREW - M5 X 14MM SOC HD	4
15	H-7327-8	WASHER - 1/4 MEDIUM LOCK	4
16	P-304-1	FLOW CTRL ELB.1/4 T X #10-32	1
17	P-503-41032	ELBOW-1/4 TUBE X #10-32	1



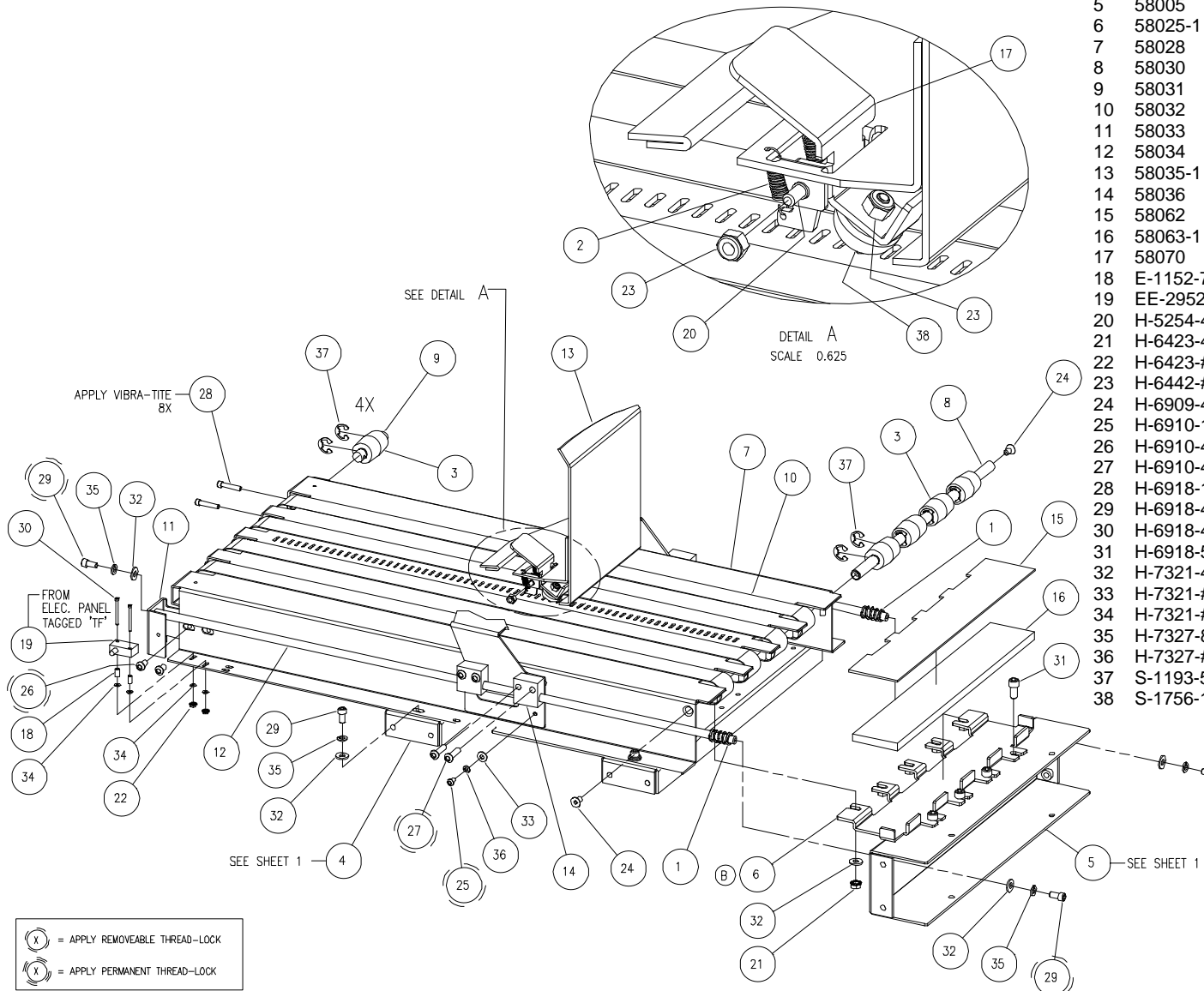
- (X) = APPLY REMOVEABLE THREAD-LOCK
- (X) = APPLY PERMANENT THREAD-LOCK
- (X) = APPLY GREASE

PL 5.82 Outfeed Stacker 58100TCLA (4/9)

No.	Part Number	Description	Qty.
1	58003	CROSS BRACKET	REF
2	58012	BEARING BLOCK	2
3	58020	BOOK PUSHER WELDMENT	1
4	58023	CYLINDER BRACKET	1
5	58024	GUIDED AIR CYLINDER	1
6	58067	SENSOR BRACKET	1
7	A-11074	FOOT - RUBBER	2
8	EE-3541-3	PROX. ASM - BOOK IN - 'BI'	REF
9	EE-3541-4	PROX. ASM - PUSHER - 'BP'	REF
10	H-5254-505	SCREW - 5/16 X 5/8 SHSS	2
11	H-6918-102406	SCREW - #10-24 X 3/4 SOC HD	2
12	H-6918-404	SCREW - 1/4-20 X 1/2 SOC HD	10
13	H-6918-416	SCREW - 1/4-20 X 2 SOC HD	4
14	H-6918-M814	SCREW - M8 X 14MM SOC HD	4
15	H-7321-4	WASHER - 1/4 SAE PLAIN	2
16	H-7327-8	WASHER - 1/4 MEDIUM LOCK	2
17	P-304	FLOW CTRL ELB.-1/4 T X 1/8 NPT	2



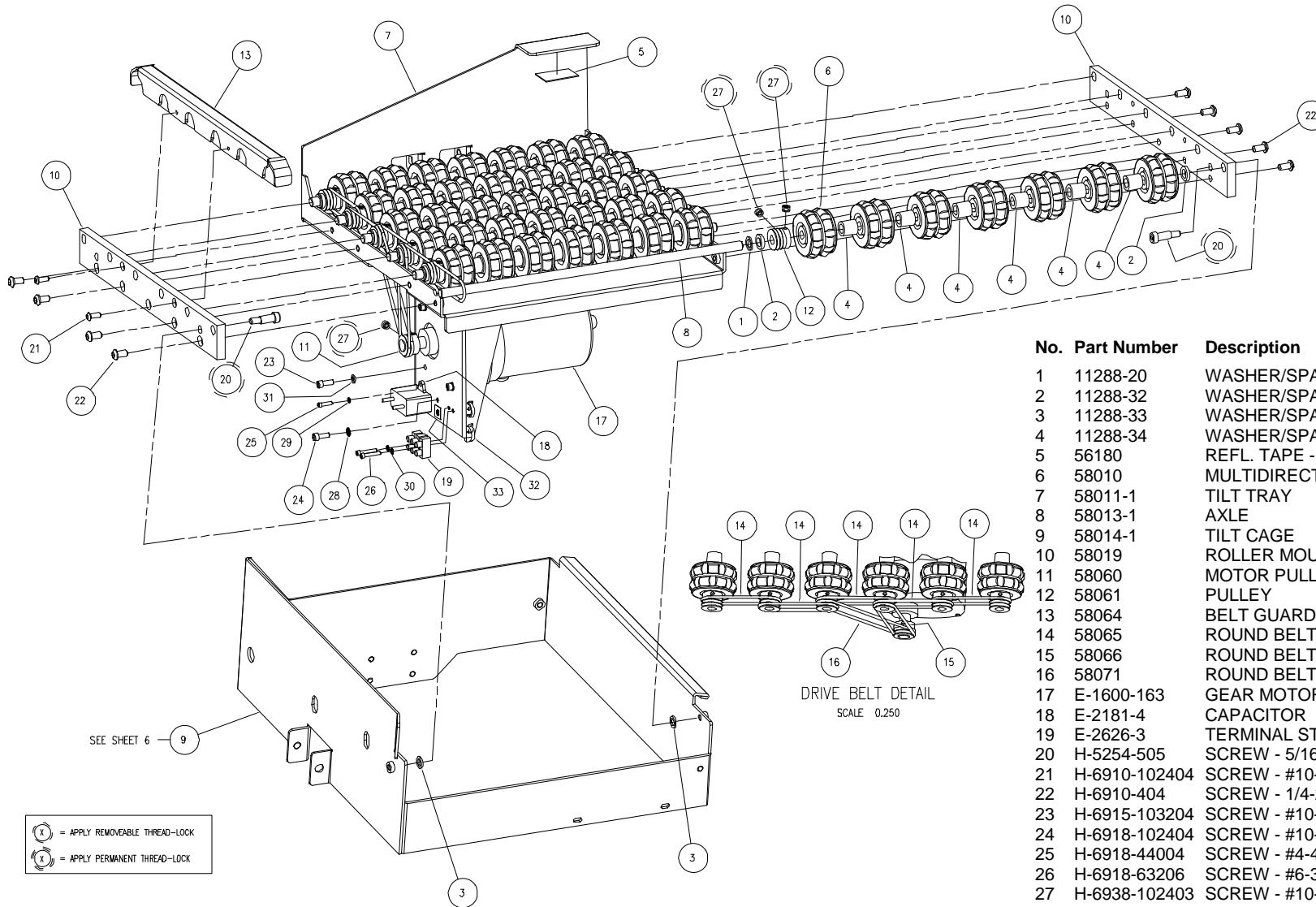
PL 5.83 Outfeed Stacker 58100TCLA (5/9)



No.	Part Number	Description	Qty.
1	35048-23	SPRING	2
2	47136-19	SPRING	2
3	56669	PULLEY	8
4	58003	CROSS BRACKET	REF
5	58005	CROSS BRACKET	REF
6	58025-1	TRAY	1
7	58028	DELIVERY TABLE	1
8	58030	AXLE	1
9	58031	AXLE	4
10	58032	ENDLESS BELT	4
11	58033	GUIDE ROD BRACKET	2
12	58034	TRANSPORT GUIDE ROD	2
13	58035-1	WELDMENT - BOOK STOP	1
14	58036	BEARING BLOCK	4
15	58062	PAD WITH ADHESIVE	1
16	58063-1	RUBBER PAD	1
17	58070	LATCH LEVER	1
18	E-1152-78	STANDOFF	2
19	EE-2952-9	PROX. ASM. - TRAY FULL	REF
20	H-5254-412	SCREW - 1/4 X 1-1/2 SHSS	1
21	H-6423-4	NUT - 1/4-20 HEX KEP	5
22	H-6423-#4	NUT - #4-40 HEX KEP	2
23	H-6442-#10	NUT - #10-24 NYLOC	2
24	H-6909-404	SCREW - 1/4-20 X 1/2" FLT HD	2
25	H-6910-102403	SCREW - #10-24 X 3/8 BUT HD	2
26	H-6910-404	SCREW - 1/4-20 X 1/2 BUT HD	4
27	H-6910-408	SCREW - 1/4-20 X 1 BUT HD	8
28	H-6918-102408	SCREW - #10-24 X 1 SOC HD	8
29	H-6918-404	SCREW - 1/4-20 X 1/2 SOC HD	8
30	H-6918-44010	SCREW - #4-40 X 1-1/4 SOC HD	2
31	H-6918-505	SCREW - 5/16-18 X 5/8 SOC HD	4
32	H-7321-4	WASHER - 1/4 SAE PLAIN	13
33	H-7321-#10	WASHER - #10 SAE PLAIN	2
34	H-7321-#4	WASHER - #4 SAE PLAIN	4
35	H-7327-8	WASHER - 1/4 MEDIUM LOCK	8
36	H-7327-#10	WASHER - #10 MEDIUM LOCK	2
37	S-1193-50	E-RING - 1/2"	16
38	S-1756-1	FOOT - RUBBER	1

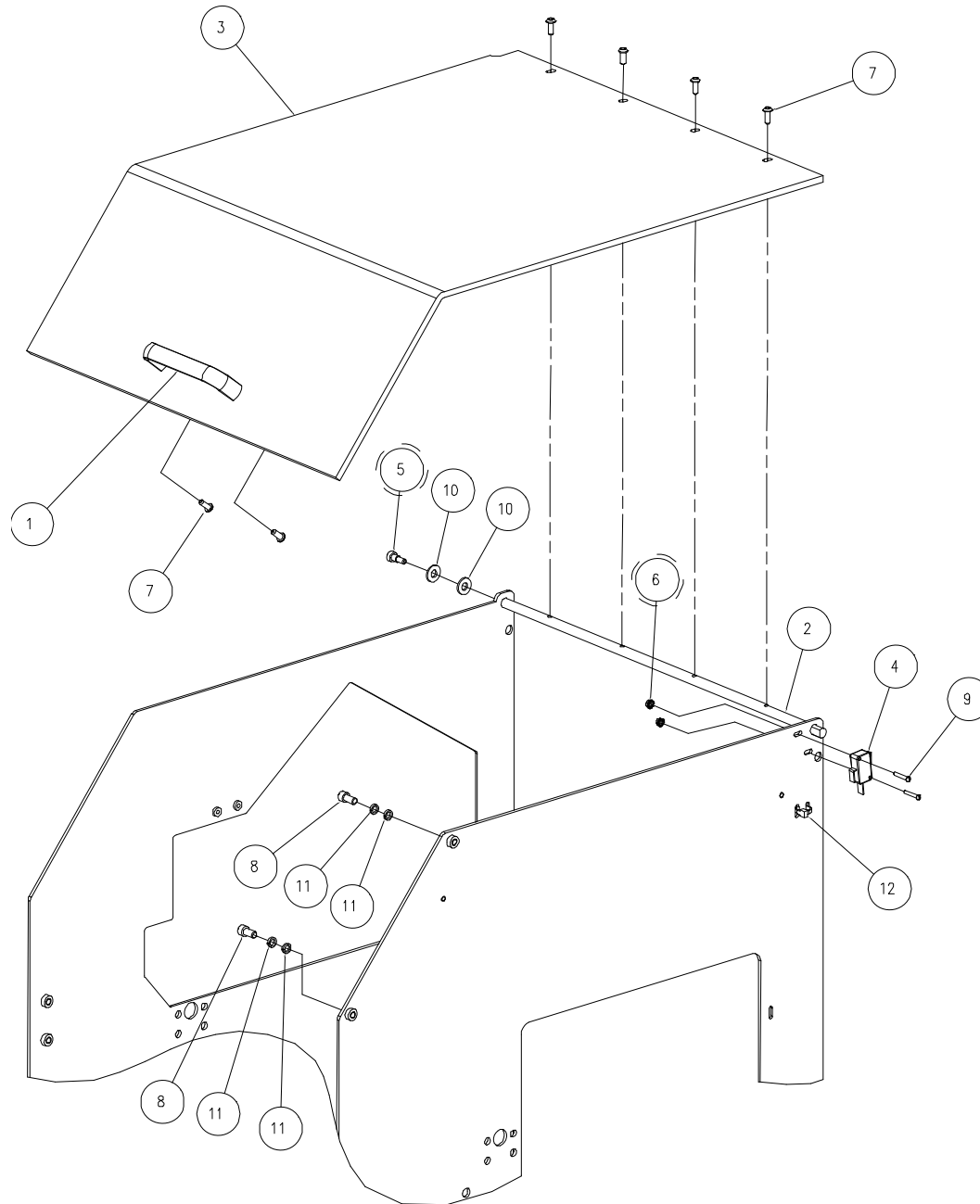
= APPLY REMOVEABLE THREAD-LOCK
 = APPLY PERMANENT THREAD-LOCK

PL 5.85 Outfeed Stacker 58100TCLA (7/9)

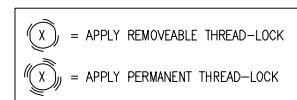


No.	Part Number	Description	Qty.
1	11288-20	WASHER/SPACER	6
2	11288-32	WASHER/SPACER	12
3	11288-33	WASHER/SPACER	2
4	11288-34	WASHER/SPACER	36
5	56180	REFL. TAPE - 1" W X 1-1/2" L	1
6	58010	MULTIDIRECTIONAL ROLLER	42
7	58011-1	TILT TRAY	1
8	58013-1	AXLE	6
9	58014-1	TILT CAGE	REF
10	58019	ROLLER MOUNTING BLOCK	2
11	58060	MOTOR PULLEY	1
12	58061	PULLEY	6
13	58064	BELT GUARD	1
14	58065	ROUND BELT - DRIVE	5
15	58066	ROUND BELT - DRIVE (SHORT)	1
16	58071	ROUND BELT - DRIVE (LONG)	1
17	E-1600-163	GEAR MOTOR	1
18	E-2181-4	CAPACITOR	1
19	E-2626-3	TERMINAL STRIP (3P)	1
20	H-5254-505	SCREW - 5/16 X 5/8 SHSS	2
21	H-6910-102404	SCREW - #10-24 X 1/2 BUT HD	2
22	H-6910-404	SCREW - 1/4-20 X 1/2 BUT HD	9
23	H-6915-103204	SCREW - #10-32 X 1/2 SOC HD	4
24	H-6918-102404	SCREW - #10-24 X 1/2 SOC HD	1
25	H-6918-44004	SCREW - #4-40 X 1/2 SOC HD	1
26	H-6918-63206	SCREW - #6-32 X 3/4 SOC HD	2
27	H-6938-102403	SCREW - #10-24 X 3/16 CUP SET	14
28	H-7324-#10	WASHER - #10 INT TOOTH	1
29	H-7324-#4	WASHER - #4 INT TOOTH	1
30	H-7324-#6	WASHER - #6 INT TOOTH	2
31	H-7327-#10	WASHER - #10 MEDIUM LOCK	4
32	S-1694	TYRAP	2
33	S-1781-42	LABEL - GROUND	1

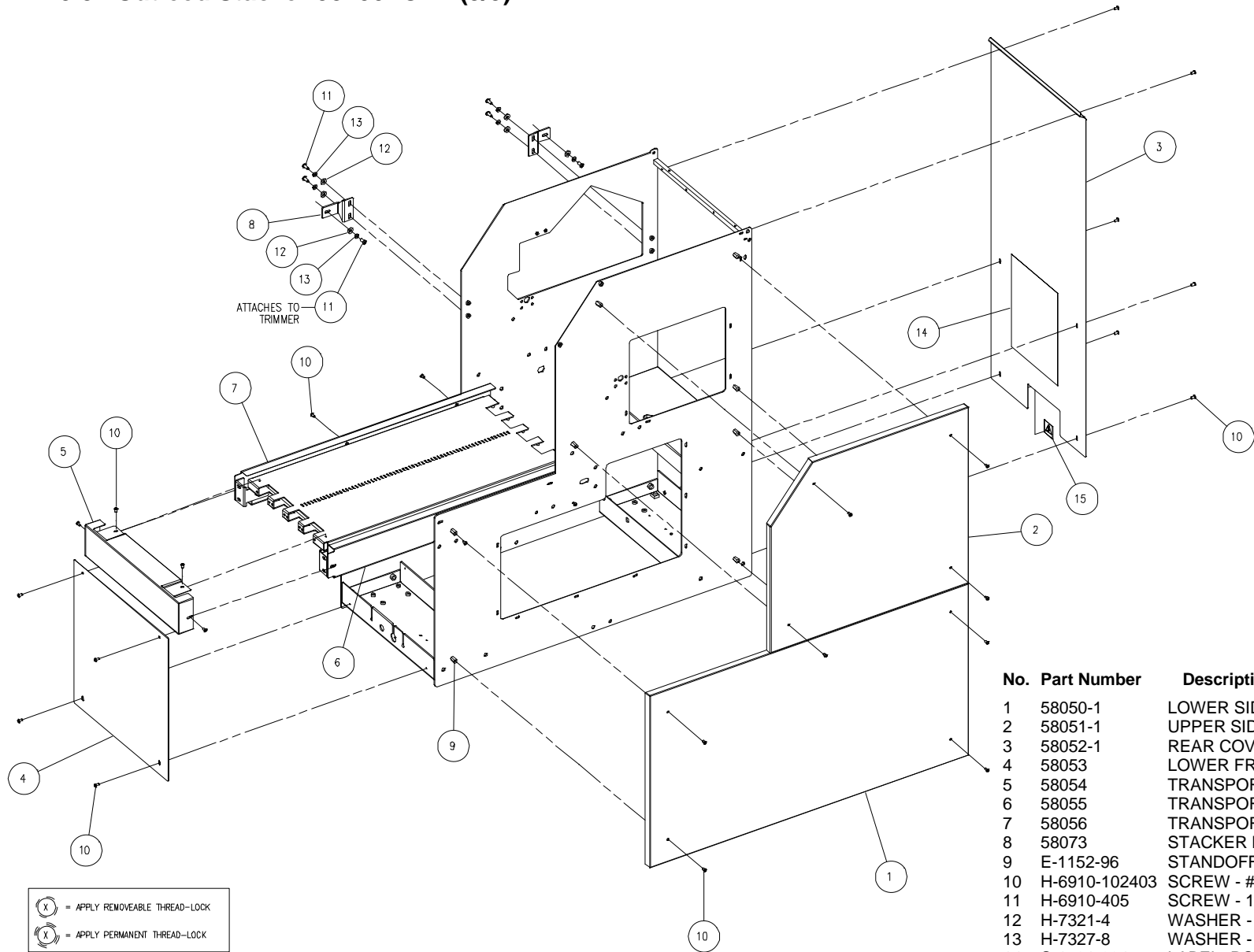
PL 5.86 Outfeed Stacker 58100TCLA (8/9)



No.	Part Number	Description	Qty.
1	13940-1	HANDLE	1
2	58040	DOOR HINGE ROD	1
3	58041-1	TOP COVER	1
4	E-866-9	POSITIVE ACTION MICROSWITCH	1
5	H-5254-402	SCREW - 1/4 X 1/4 SHSS	1
6	H-6423-#4	NUT - #4-40 HEX KEP	2
7	H-6910-102404	SCREW - #10-24 X 1/2 BUT HD	6
8	H-6918-404	SCREW - 1/4-20 X 1/2 SOC HD	2
9	H-6923-44012	SCREW - #4-40 X 3/4 ROUND HD	2
10	H-7321-4	WASHER - 1/4 SAE PLAIN	2
11	H-7329-4	WASHER - 1/4 HIGH COL. LOCK	4
12	S-1694	TYRAP	1

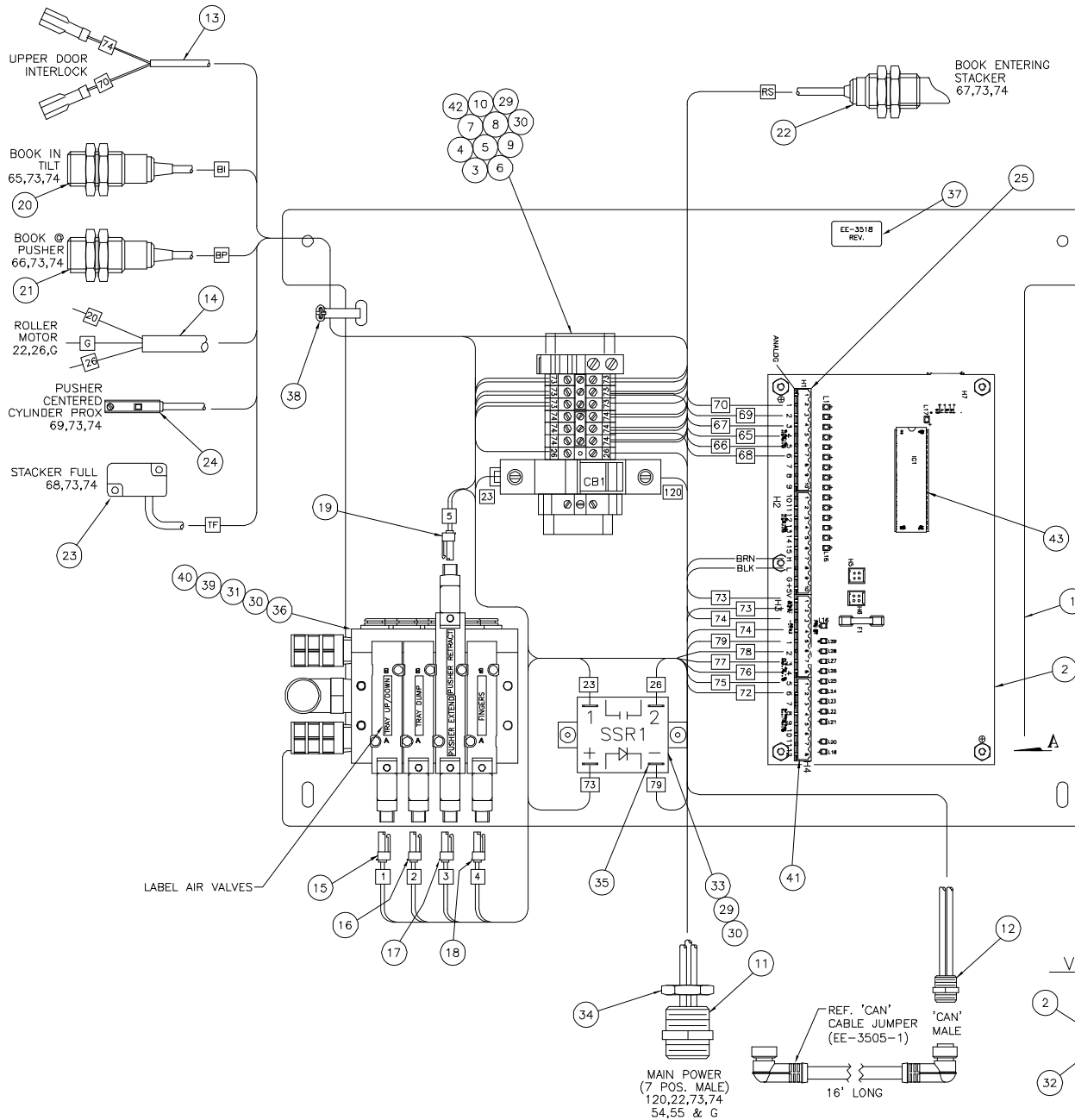


PL 5.87 Outfeed Stacker 58100TCLA (9/9)

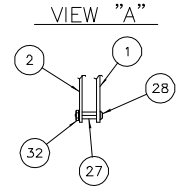


No.	Part Number	Description	Qty.
1	58050-1	LOWER SIDE COVER	1
2	58051-1	UPPER SIDE COVER	1
3	58052-1	REAR COVER	1
4	58053	LOWER FRONT COVER	1
5	58054	TRANSPORT END COVER	1
6	58055	TRANSPORT SIDE COVER - RH	1
7	58056	TRANSPORT SIDE COVER - LH	1
8	58073	STACKER MOUNTING BRACKET	2
9	E-1152-96	STANDOFF	8
10	H-6910-102403	SCREW - #10-24 X 3/8 BUT HD	26
11	H-6910-405	SCREW - 1/4-20 X 5/8 BUT HD	6
12	H-7321-4	WASHER - 1/4 SAE PLAIN	6
13	H-7327-8	WASHER - 1/4 MEDIUM LOCK	6
14	S-1781-224	LABEL- POWER CONN. PROC.	1
15	S-1781-50	LABEL - ELECTRIC SHOCK	1

PL 5.88 Stacker Elec. Panel EE-3518

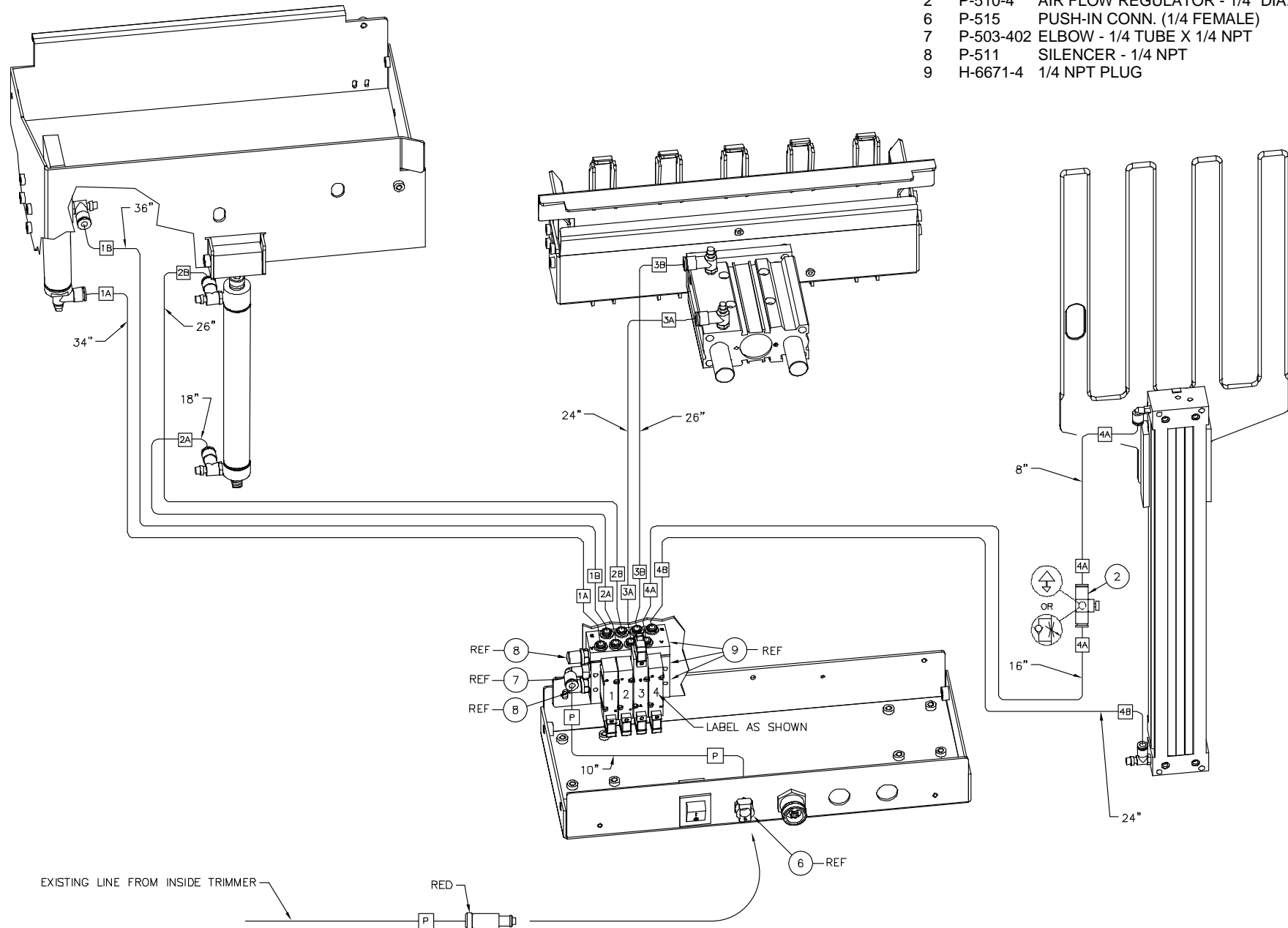


No.	Part Number	Description	Qty.
1	58009-1	PANEL - ELECTRICAL	1
2	EE-3508-1	PC ASSEMBLY - I/O,TC	1
3	E-2068-8	TERMINAL BLOCK - #10 AWG	7
4	E-1977-26	TERMINAL RAIL - 4" LONG	1
5	E-1453-6	SHRINK TUBING - 1" LONG	2
6	E-2507-3	FIXED BRIDGE - 3 POLE	2
7	E-2070-1	END BRACKET	1
8	E-1356-()	MARKING STRIP	2
9	E-2864	PLATE - SEPERATOR	1
10	E-3264-2	CIRCUIT BREAKER - 1.6A (CB1)	1
11	EE-3550	PIGTAIL ASM. - 7 POS.	1
12	EE-3460-5	PIGTAIL ASM. - 3 POS. "CAN"	1
13	EE-3540	CABLE ASM - UPPER DOOR INT.	1
14	EE-2949-7	CABLE ASM - ROLLER MOTOR	1
15	EE-3531-15	PLUG ASM. - AIR, TRAY LIFT (#1)	1
16	EE-3531-16	PLUG ASM. - AIR, TRAY DUMP (#2)	1
17	EE-3531-17	PLUG ASM. - AIR, PSH'R OUT (#3)	1
18	EE-3531-18	PLUG ASM. - AIR, FING'S DN (#4)	1
19	EE-3531-19	PLUG ASM. - AIR, PUSHER IN (#5)	1
20	EE-3541-3	SW. ASM. - BOOK IN TILT "BI"	1
21	EE-3541-4	SW. ASM. - BOOK @ PUSHER "BP"	1
22	EE-3541-5	SW. ASM. - BOOK ENT. STACKER	1
23	EE-2952-18	PROX. ASM. - TRAY FULL "TF"	1
24	EE-2397-5	PROX. ASM. - PSH'R CEN. (NPN)	1
25	E-2066-10	CONNECTOR - 10 POS PLUG-IN	2
26	E-709-R	WIRE - #18GA. RED (49" TOTAL)	1
27	E-1152-56	STAND-OFF - 1/2" LONG	5
28	H-6910-63203	SCREW, #6-32NC X 3/8" BUT HD	5
29	H-6910-83203	SCREW, #8-32NC X 3/8" BUT HD	4
30	H-7324-#8	WASHER, #8 INT. TOOTHLOCK	6
31	H-6910-83212	SCREW, #8-32NC X 1-3/4" BUT HD	4
32	H-6423-#6	NUT - #6-32 HEX (KEP)	5
33	E-2064-2	RELAY - SOLID STATE	1
34	E-519	NUT - CONDUIT LOCK	1
35	E-1214-65	CONN. - 1/4" FULLY INS. Q.D.	3
36	58008	MANIFOLD ASSEMBLY	1
37	E-1584-()	LABEL - ASM. NO./REV. LEVEL	1
38	S-1694	TYRAP - WIRE	1
39	P-511	SILENCER - 1/4" NPT	2
40	P-503-402	ELBOW - 1/4" TUBE TO 1/4" NPT	1
41	E-2066-8	CONN. - 8 POS PLUG-IN PCB	2
42	E-2068-3	TERMINAL BLOCK - GROUNDING	1
43	EE-1888-28	IC - PROG'D, STACKER TC	1



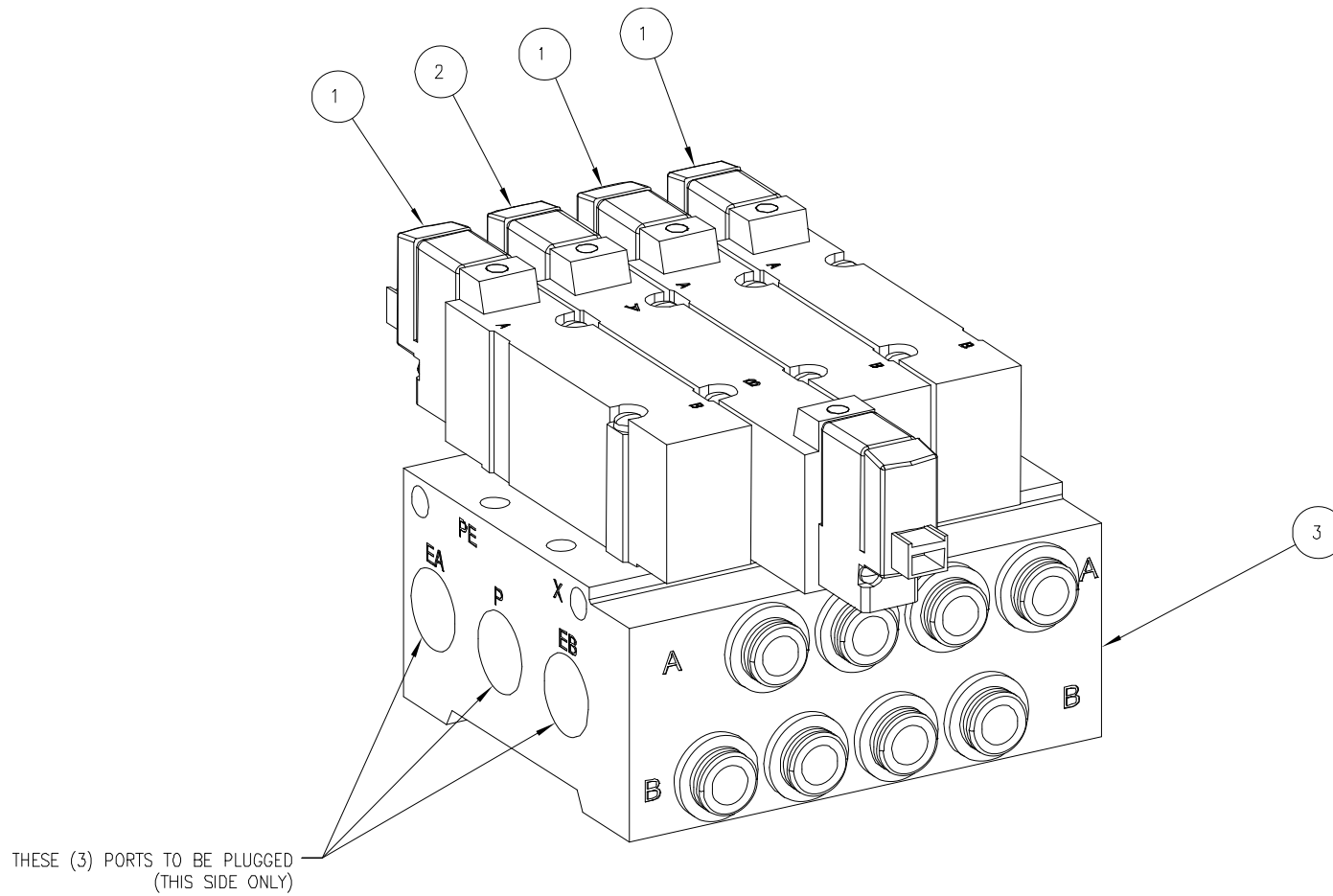
PL 5.89 Stacker Pneumatics 58000TCA-P

No.	Part No.	Description	Qty.
1	P-303	1/4" O.D. P.E. TUBING (SOLID BLUE)	-
2	P-510-4	AIR FLOW REGULATOR - 1/4" DIA.	1
6	P-515	PUSH-IN CONN. (1/4 FEMALE)	REF.
7	P-503-402	ELBOW - 1/4 TUBE X 1/4 NPT	REF.
8	P-511	SILENCER - 1/4 NPT	REF.
9	H-6671-4	1/4 NPT PLUG	REF.

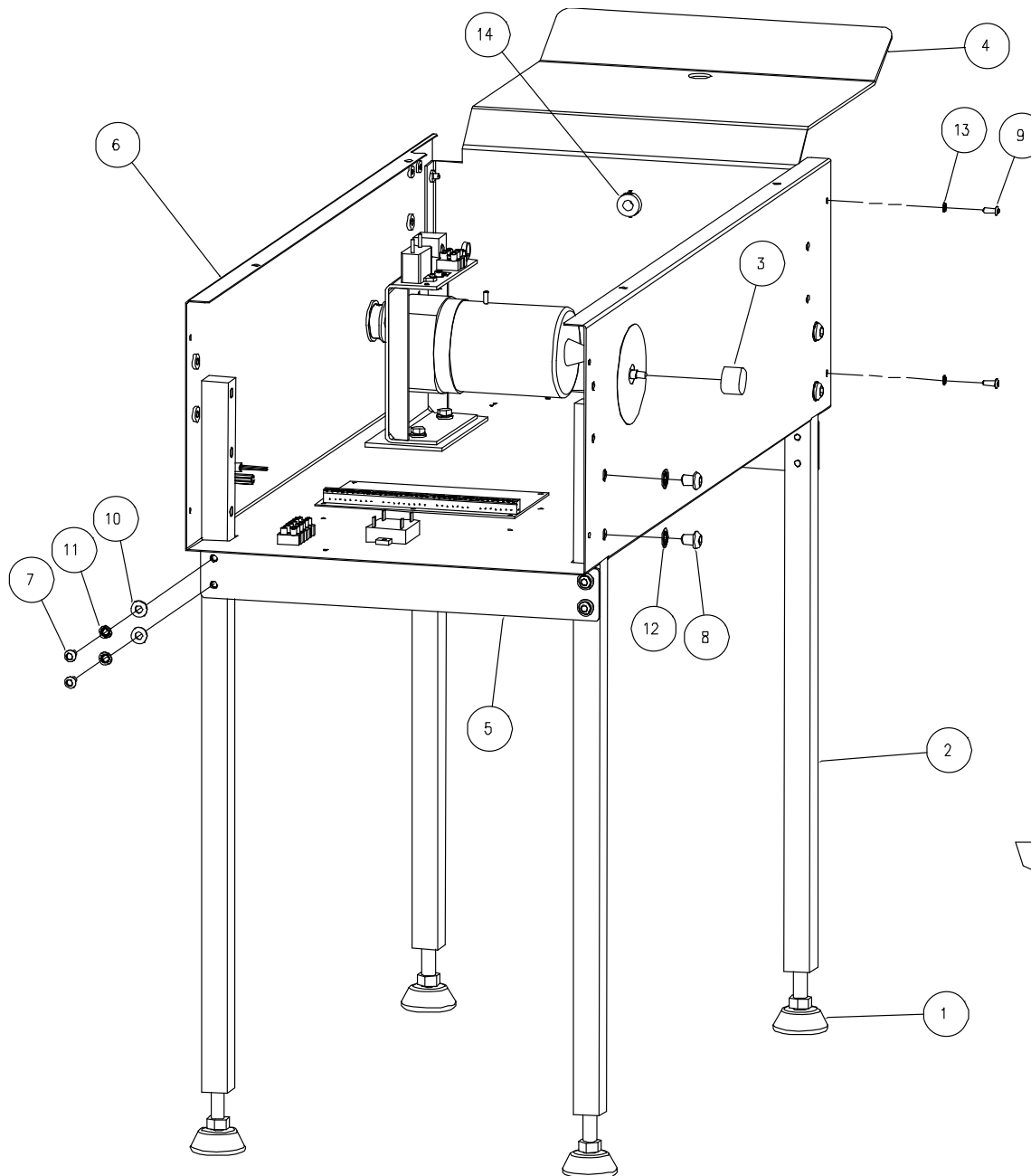


PL 5.90 Stacker Air Manifold 58008

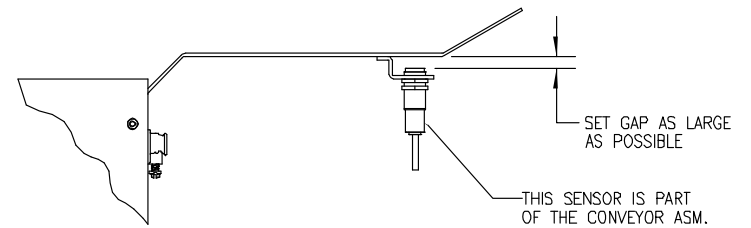
No.	Part No.	Description	Qty.
1	56009	VALVE - 2 POSITION	3
2	56011-1	VALVE - 3 POS. CLOSED CENTER	1
3	58008-M	MANIFOLD - BAR STOCK TYPE	1



PL 5.91 Exit Conv. 56430TCLA (1/3)



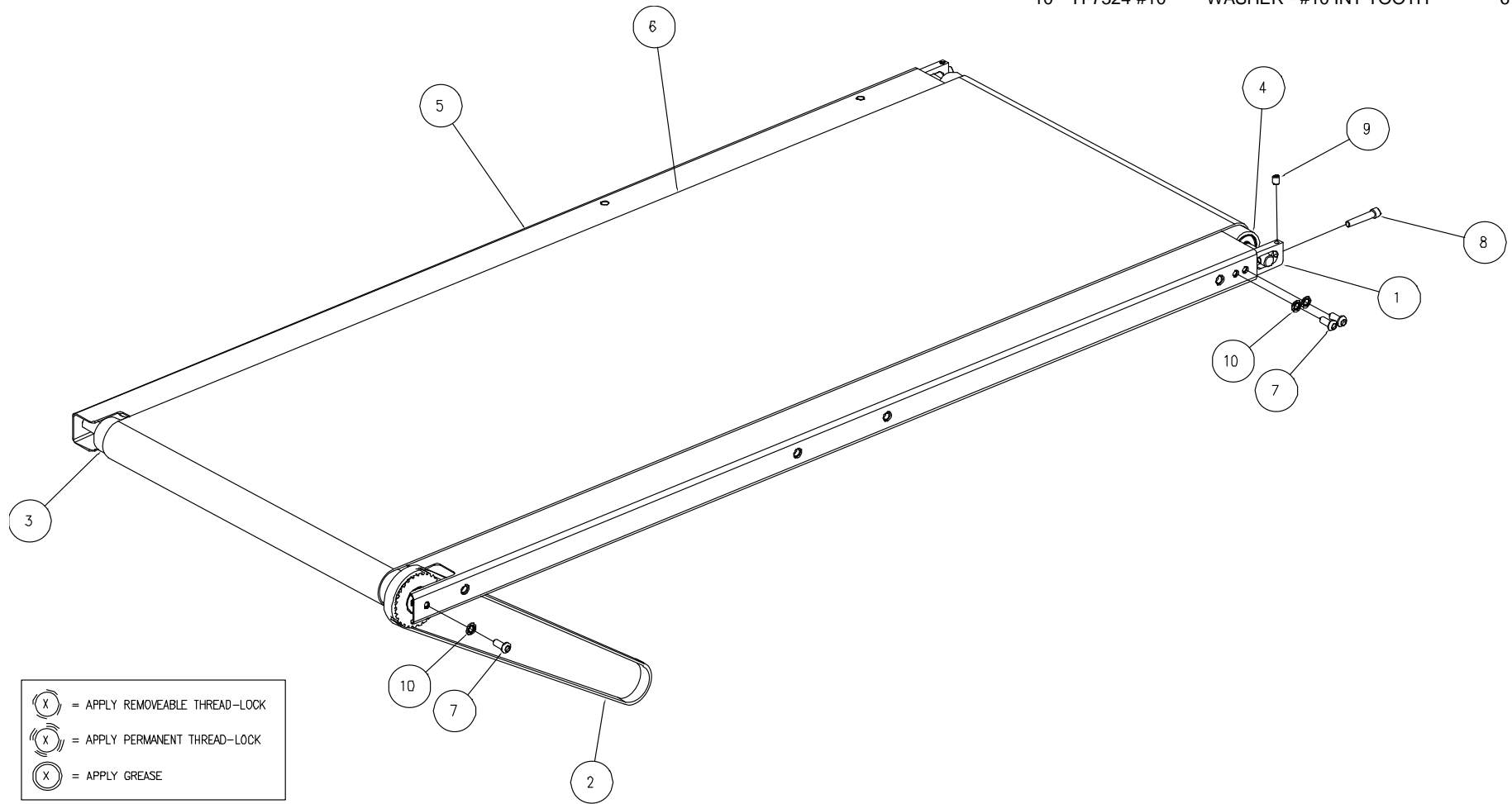
No.	Part Number	Description	Qty.
1	56410	LEVELING PAD	4
2	56419	LEG	4
3	35126-4	KNOB	1
4	56434-1	TRAY	1
5	56463-1	LEG BRACE	2
6	EE-3566-1	CASE ASM. W/ ELEC. COMP'S.	1
7	H-6910-404	SCREW - 1/4-20 X 1/2 BUT HD	8
8	H-6910-604	SCREW - 3/8-16 X 1/2 BUT HD	8
9	H-6910-102404	SCREW - #10-24 X 1/2 BUT HD	4
10	H-7321-4	WASHER - 1/4 SAE PLAIN	8
11	H-7324-8	WASHER - 1/4 INT TOOTH	8
12	H-7324-12	WASHER - 3/8 INT TOOTH	8
13	H-7324-#10	WASHER - #10 INT TOOTH	4
14	S-1350-16	STRAIN RELIEF BUSHING	1



- (X) = APPLY REMOVEABLE THREAD-LOCK
- (X) = APPLY PERMANENT THREAD-LOCK
- (X) = APPLY GREASE

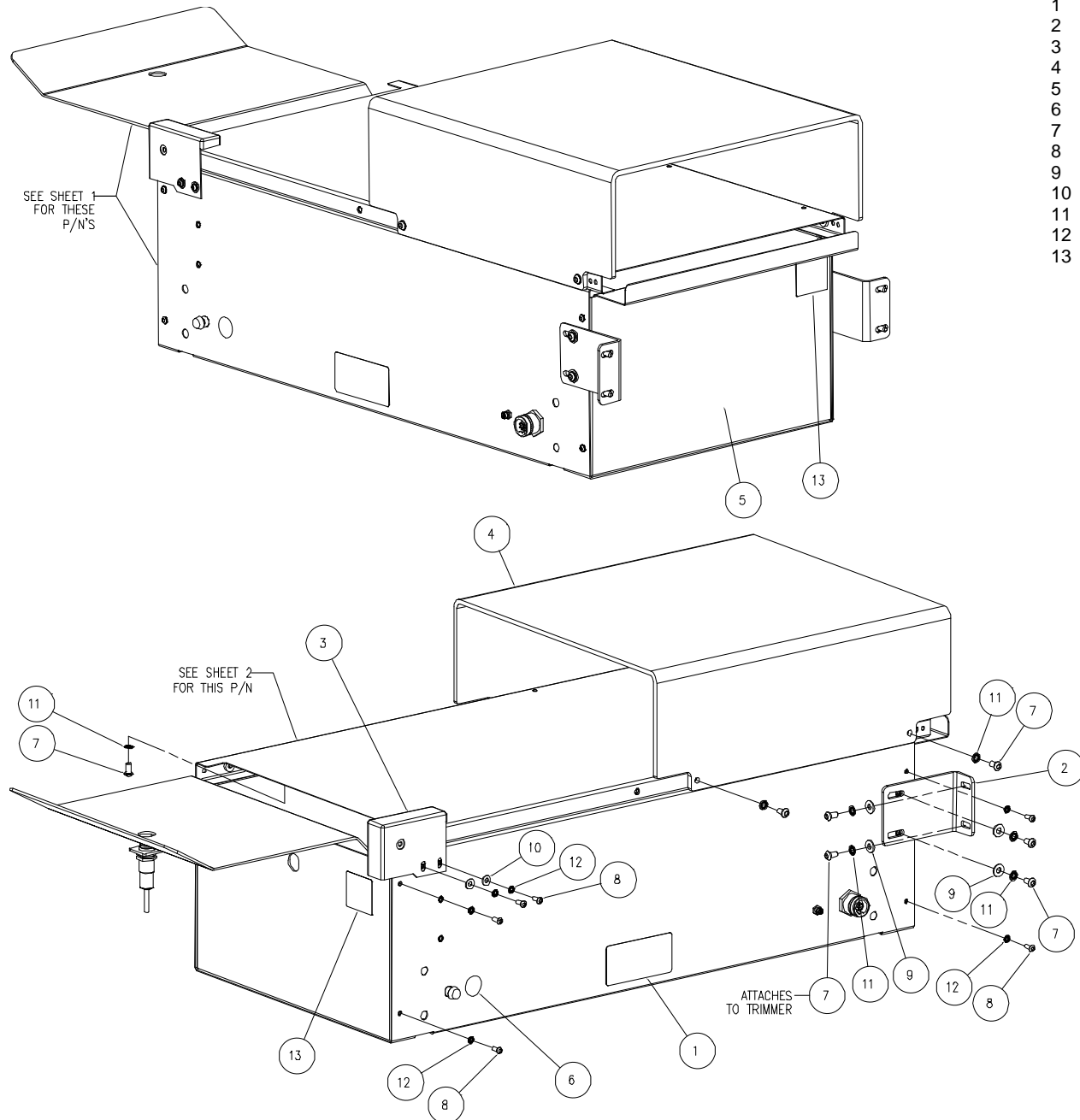
PL 5.92 Exit Conv. 56430TCLA (2/3)

No.	Part Number	Description	Qty.
1	56405	TENSIONER BLOCK	2
2	56564	TIMING BELT- 250XL037	1
3	56404-2	DRIVE ASM	1
4	56406-1	IDLER ASM	1
5	56426-2	FRAME	1
6	56544-1	CONVEYOR BELT	1
7	H-6910-102404	SCREW - #10-24 X 1/2 BUT HD	6
8	H-6918-102408	SCREW - #10-24 X 1 SOC HD	2
9	H-6938-102404	SCREW - #10-24 X 1/4 CUP SET	2
10	H-7324-#10	WASHER - #10 INT TOOTH	6



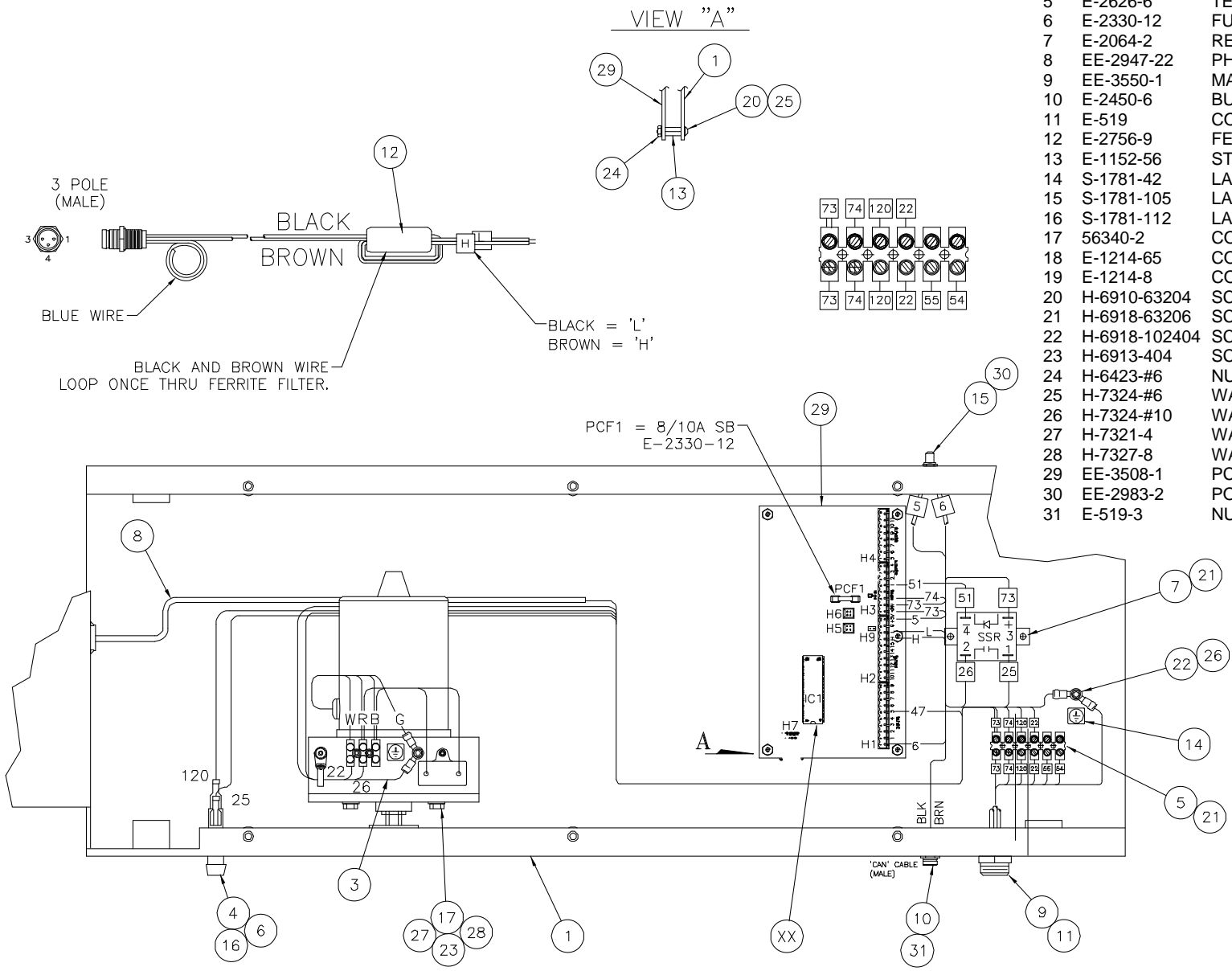
PL 5.93 Exit Conv. 56430TCLA (3/3)

No.	Part Number	Description	Qty.
1	14050	SERIAL PLATE	1
2	56416	CONVEYOR MOUNT BRACKET	2
3	56465	PULLEY COVER	1
4	56467-1	CONVEYOR COVER	1
5	56479-1	END COVER	1
6	E-2196-11	HOLE PLUG	1
7	H-6910-404	SCREW - 1/4-20 X 1/2 BUT HD	16
8	H-6910-102404	SCREW - #10-24 X 1/2 BUT HD	10
9	H-7321-4	WASHER - 1/4 SAE PLAIN	8
10	H-7321-#10	WASHER - #10 SAE PLAIN	2
11	H-7324-8	WASHER - 1/4 INT TOOTH	16
12	H-7324-#10	WASHER - #10 INT TOOTH	10
13	S-1781-35	LABEL - ELEC. DANGER (EURO)	2



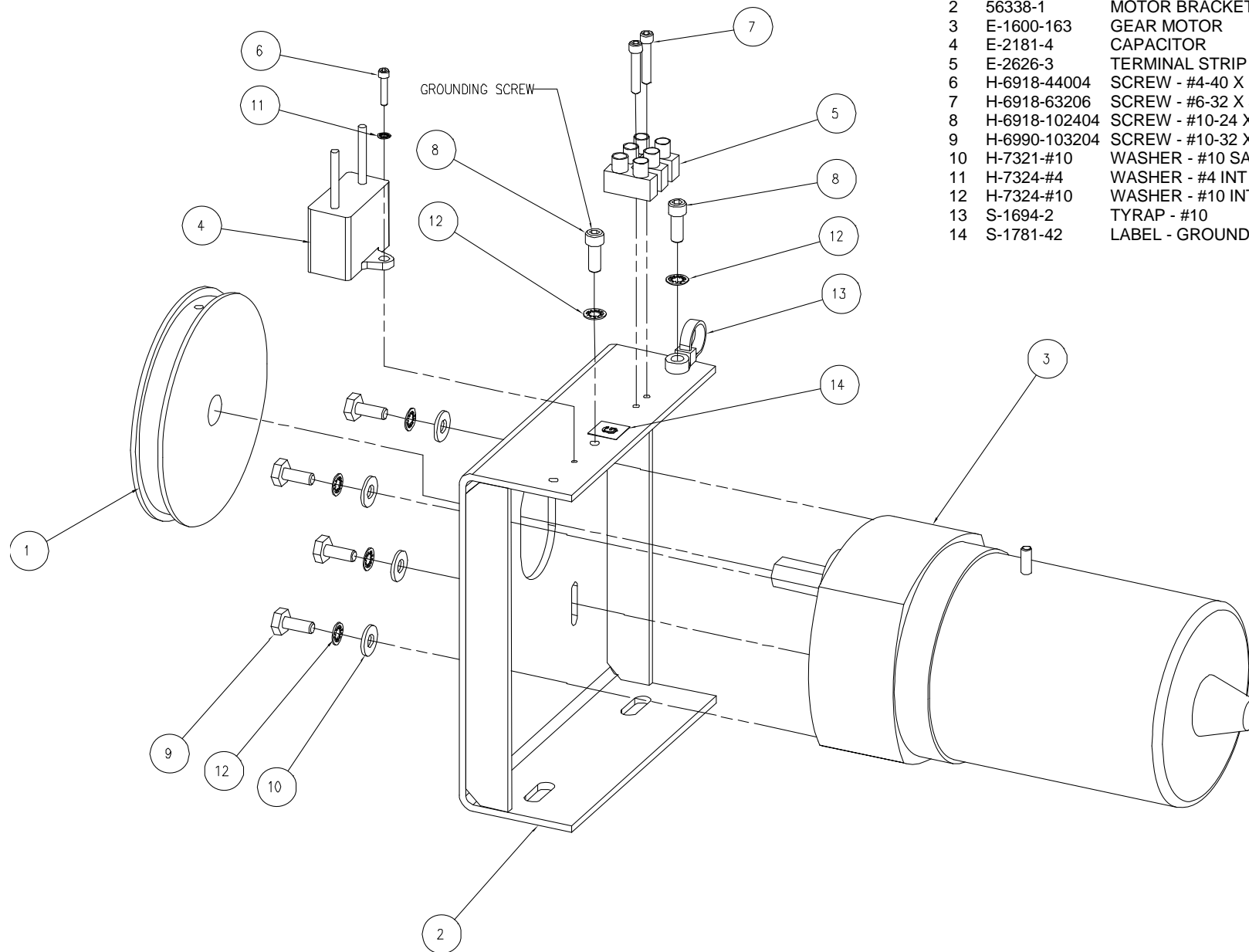
- (X) = APPLY REMOVEABLE THREAD-LOCK
- (X) = APPLY PERMANENT THREAD-LOCK
- (X) = APPLY GREASE

PL 5.94 Exit Conv. Elec. Panel EE-3566



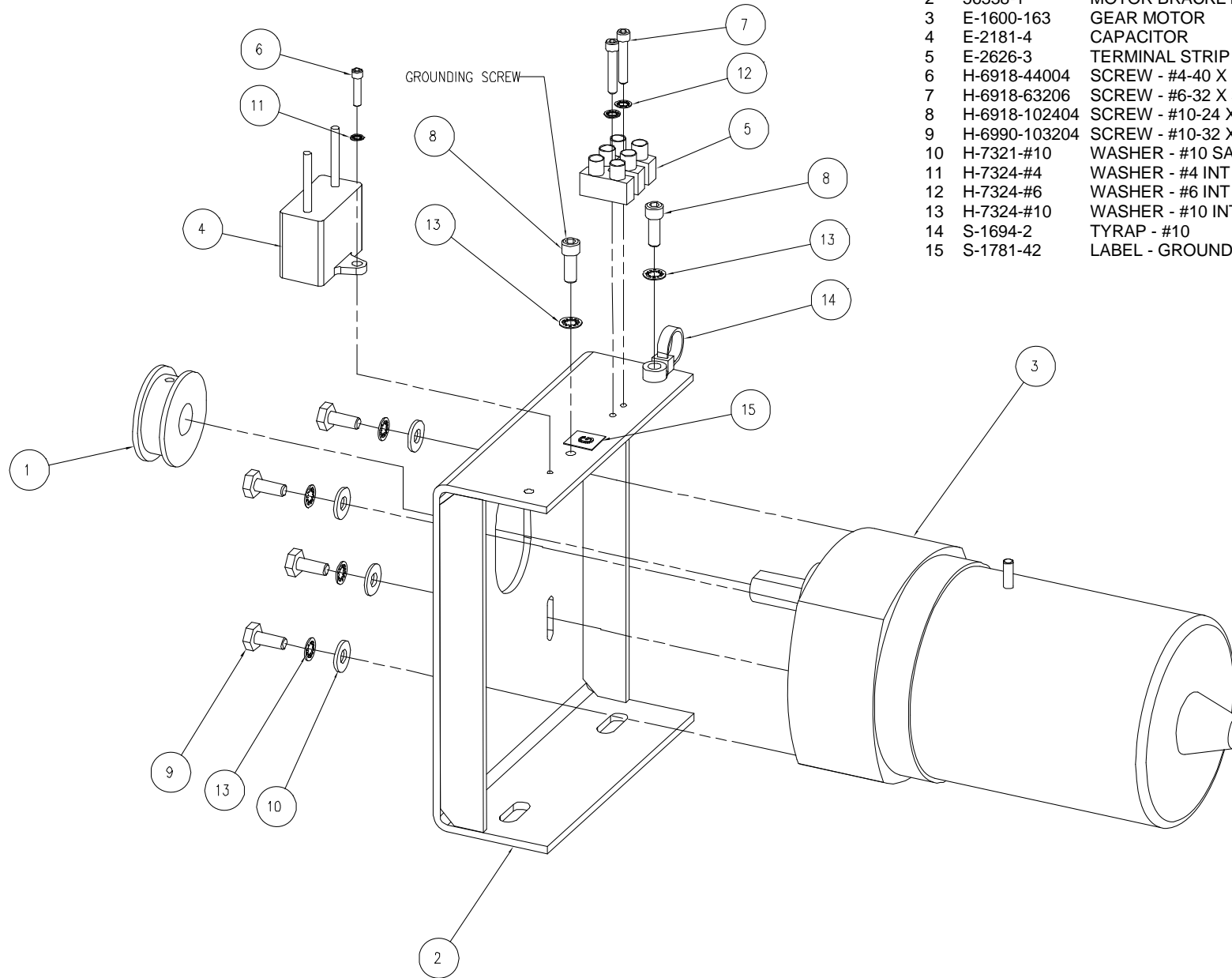
No.	Part Number	Description	Qty.
1	56409-2	CASE - CONV, TC EXIT (L.S.)	1
2	E-709-R	WIRE - #18 GA. RED	-
3	E-2743	WIRE - #18 GA. GRN/YEL	-
4	E-530-15	FUSE HOLDER - METRIC	1
5	E-2626-6	TERMINAL STRIP - 6 POS.	1
6	E-2330-12	FUSE - METRIC - 8/10A SB	1
7	E-2064-2	RELAY - SOLID STATE	1
8	EE-2947-22	PHOTO-SW. ASM. - TRAY FULL	1
9	EE-3550-1	MALE PLUG ASM. - POWER IN	1
10	E-2450-6	BULK HEAD PIGTAIL - 3 PIN 'CAN'	1
11	E-519	CONDUIT NUT - 1/2" STEEL	1
12	E-2756-9	FERRITE FILTER - SMALL CYL.	1
13	E-1152-56	STAND-OFF - 1/4" HEX 1/2" LG	5
14	S-1781-42	LABEL - GROUND	1
15	S-1781-105	LABEL - SPEED 'SWOOP'	1
16	S-1781-112	LABEL - FUSE - 8/10A	1
17	56340-2	CONVEYOR DRIVE ASM	1
18	E-1214-65	CONNECTOR- 1/4" FULL INS. Q.D.	5
19	E-1214-8	CONNECTOR- #10 RING INS.	2
20	H-6910-63204	SCREW - 6-32 X 1/2 BUT HD	5
21	H-6918-63206	SCREW - 6-32 X 3/4 SOC HD	4
22	H-6918-102404	SCREW - 10-24 X 1/2 SOC HD	1
23	H-6913-404	SCREW - 1/4-20 X 1/2 HEX HD	2
24	H-6423-#6	NUT, #6-32NC HEX (KEP STYLE)	5
25	H-7324-#6	WASHER - #6 INT. TOOTHLOCK	5
26	H-7324-#10	WASHER - #10 INT. TOOTHLOCK	1
27	H-7321-4	WASHER - 1/4 SAE PLAIN	2
28	H-7327-8	WASHER - 1/4 MEDIUM LOCK	2
29	EE-3508-1	PCB ASM. - CMT ACCESS. I/O	1
30	EE-2983-2	POT. ASM. - CONVEYOR SPEED	1
31	E-519-3	NUT - 'CAN' BULKHEAD	1

PL 5.95 Conveyor Drive Asm. 56340-1



No.	Part Number	Description	Qty.
1	56346	TIMING PULLEY - 56 GROOVE	1
2	56338-1	MOTOR BRACKET	1
3	E-1600-163	GEAR MOTOR	1
4	E-2181-4	CAPACITOR	1
5	E-2626-3	TERMINAL STRIP (3P)	1
6	H-6918-44004	SCREW - #4-40 X 1/2 SOC HD	1
7	H-6918-63206	SCREW - #6-32 X 3/4 SOC HD	2
8	H-6918-102404	SCREW - #10-24 X 1/2 SOC HD	2
9	H-6990-103204	SCREW - #10-32 X 1/2 HEX HD	4
10	H-7321-#10	WASHER - #10 SAE PLAIN	4
11	H-7324-#4	WASHER - #4 INT TOOTH	1
12	H-7324-#10	WASHER - #10 INT TOOTH	6
13	S-1694-2	TYRAP - #10	1
14	S-1781-42	LABEL - GROUND	1

PL 5.96 Conveyor Drive Asm. 56340-2



No.	Part Number	Description	Qty.
1	56563	TIMING PULLEY - 20 GROOVE	1
2	56338-1	MOTOR BRACKET	1
3	E-1600-163	GEAR MOTOR	1
4	E-2181-4	CAPACITOR	1
5	E-2626-3	TERMINAL STRIP (3P)	1
6	H-6918-44004	SCREW - #4-40 X 1/2 SOC HD	1
7	H-6918-63206	SCREW - #6-32 X 3/4 SOC HD	2
8	H-6918-102404	SCREW - #10-24 X 1/2 SOC HD	2
9	H-6990-103204	SCREW - #10-32 X 1/2 HEX HD	4
10	H-7321-#10	WASHER - #10 SAE PLAIN	4
11	H-7324-#4	WASHER - #4 INT TOOTH	1
12	H-7324-#6	WASHER - #6 INT TOOTH	2
13	H-7324-#10	WASHER - #10 INT TOOTH	6
14	S-1694-2	TYRAP - #10	1
15	S-1781-42	LABEL - GROUND	1