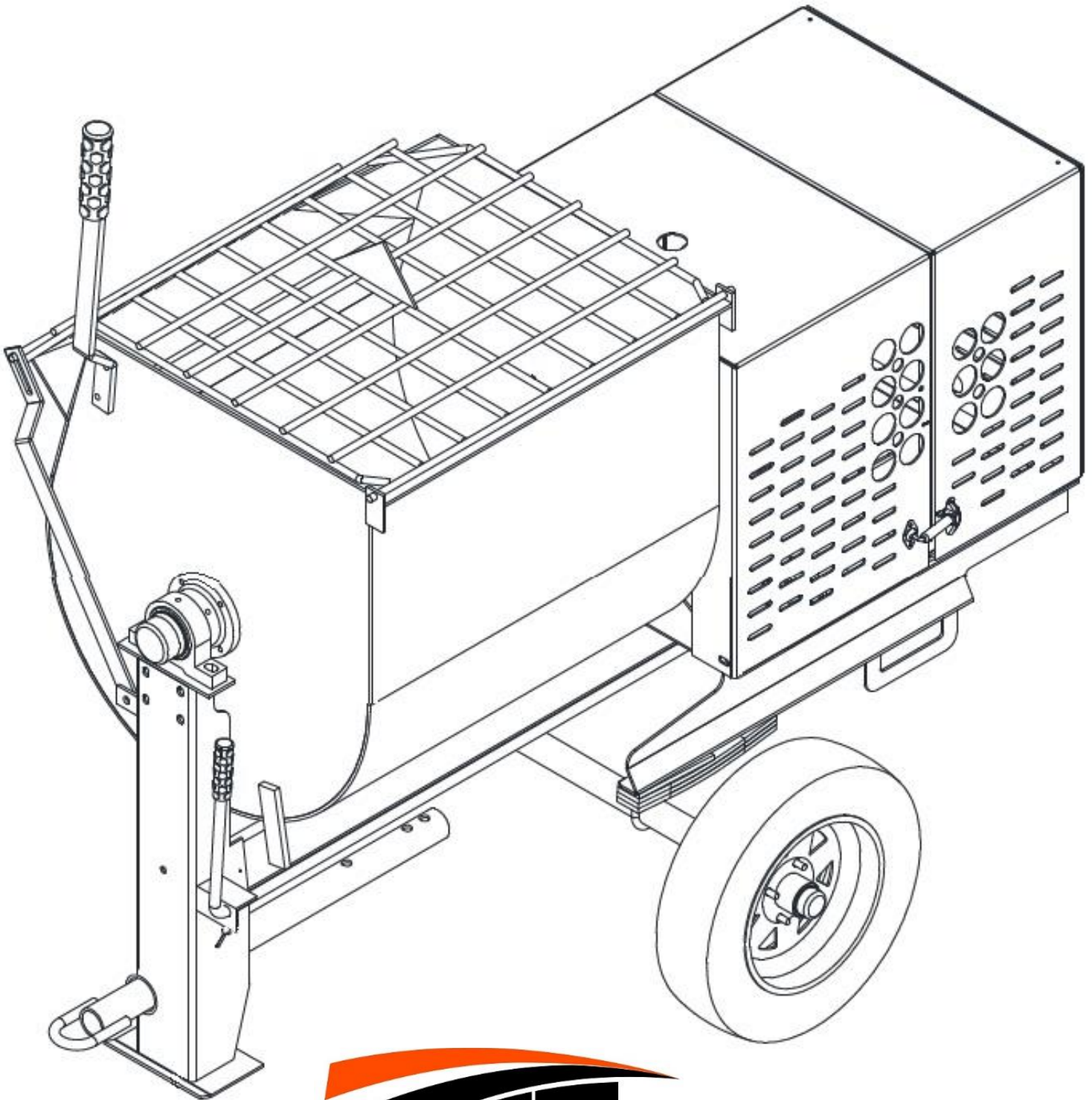
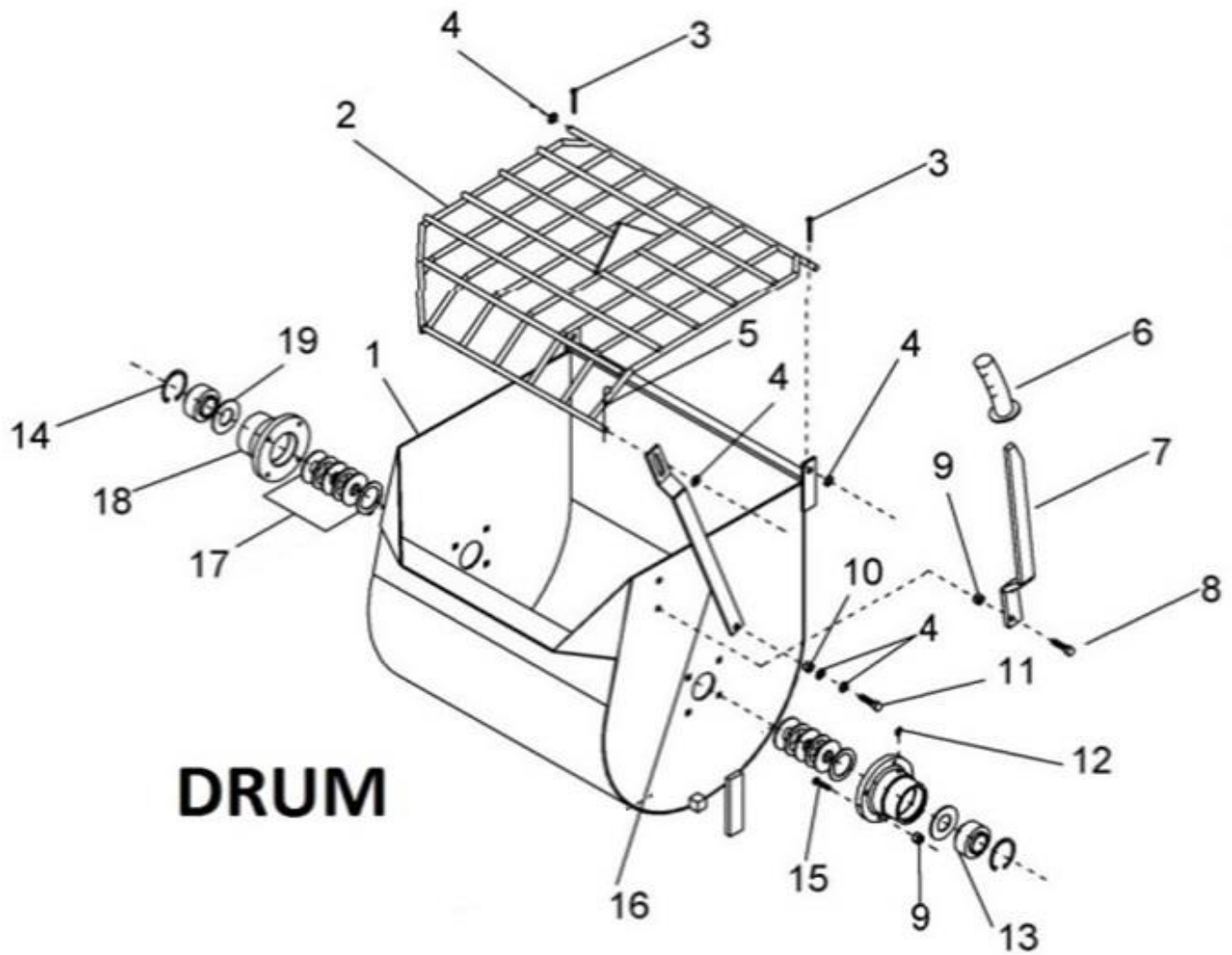


MM12G - 2020

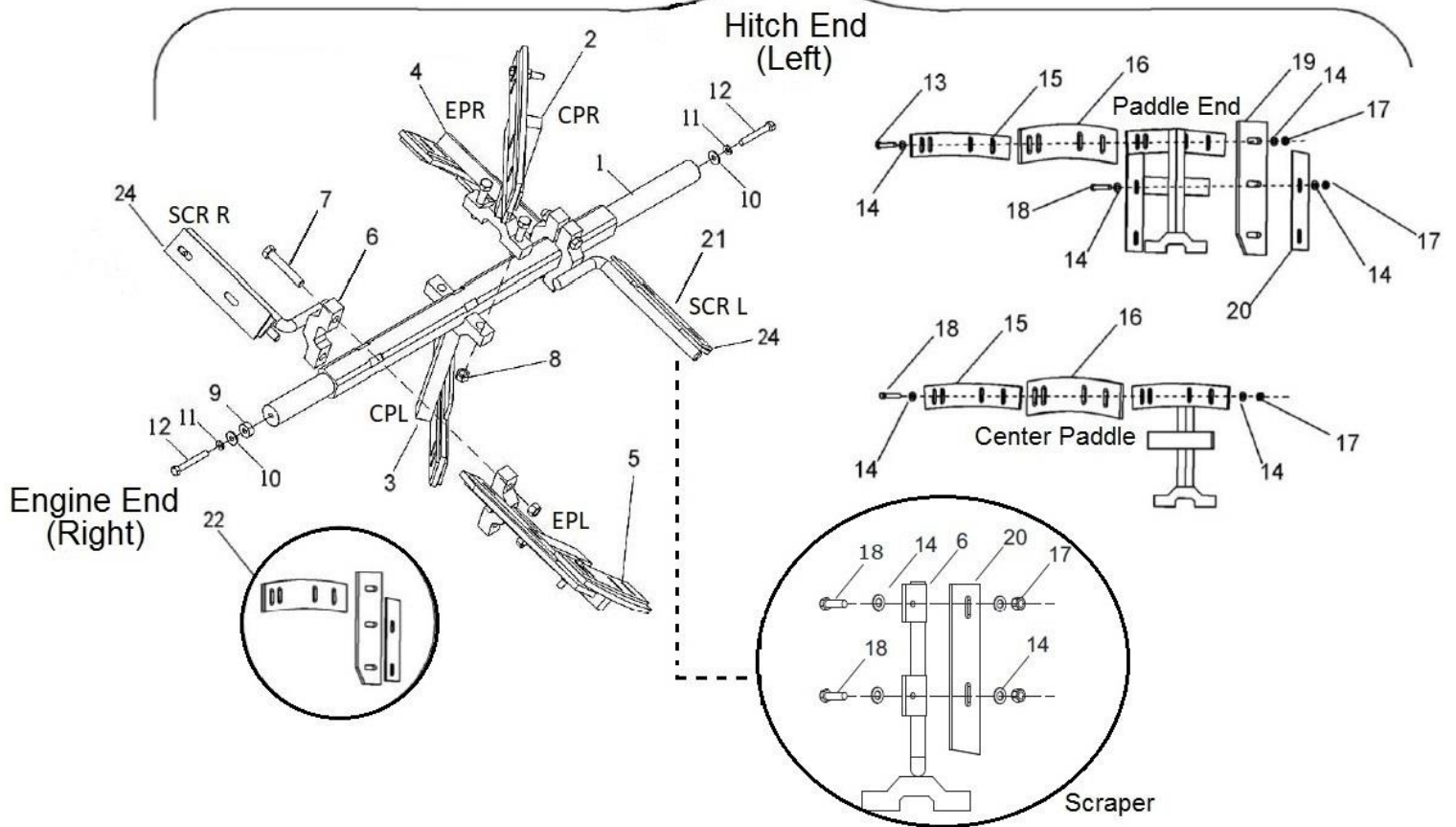
PARTS BREAKDOWN





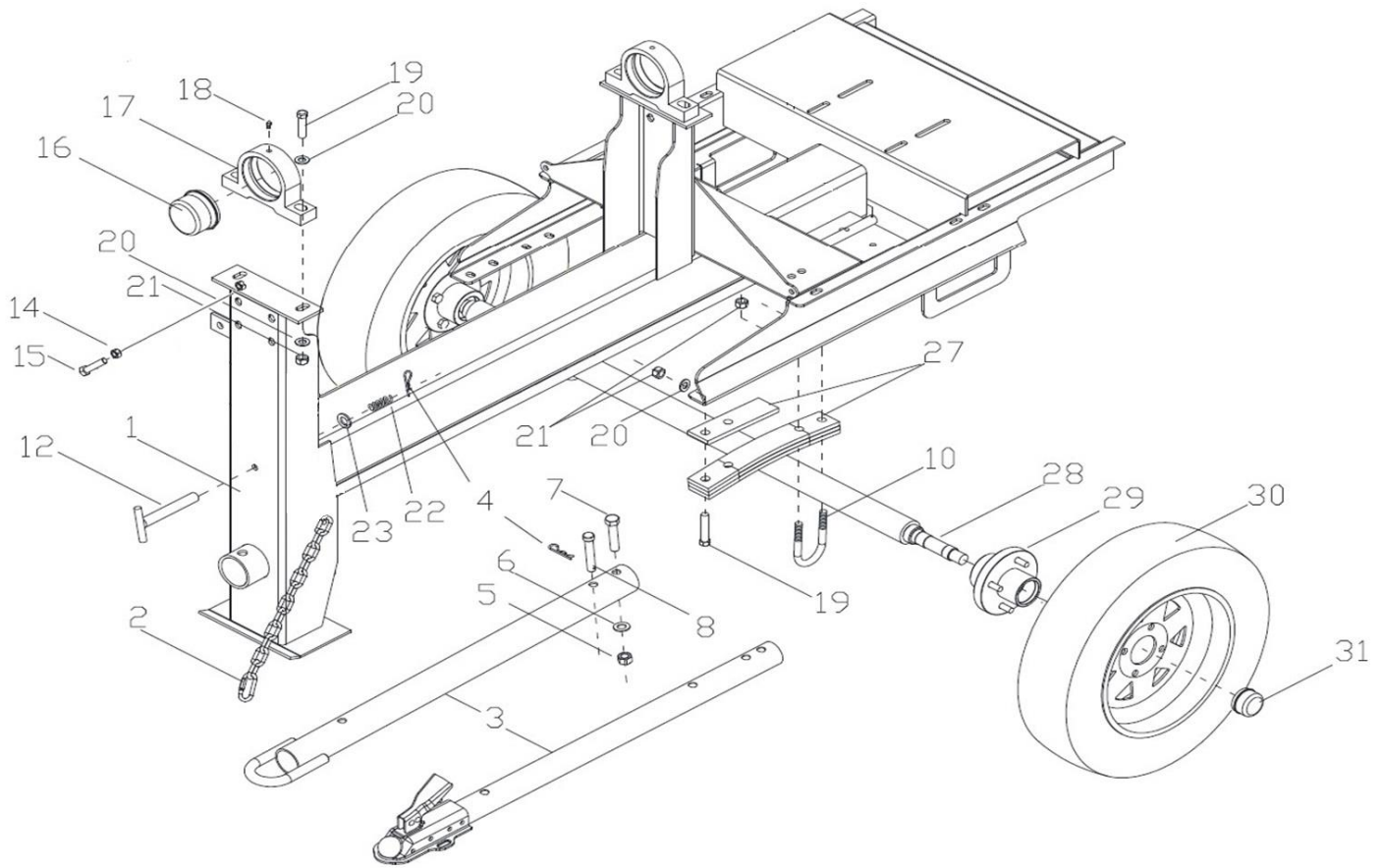
DRUM

DRUM ASSEMBLY BREAK DOWN				
ITEM	SKU #	PART #	DESCRIPTION	MM12G
1	ASK FOR #	N/A	DRUM MM12G	1
1		T602-G	DRUM ASSEY COMPLETE MM12G	
2	0204CO01RJ	T603	DRUM GRID W/ BAG CUTTER MM12/MM12G - T603	1
3	CHA 316 2	T111	GRID PIN COTTER, 3/16" X 2" - SC3116200GAL - T111	2
4	RNPX012GAL	T105	PLAIN WASHER 1/2" - T105	5
5	0111SR01LZ	T110	GRID/HITCH HAIR LOCK PIN 3/16" - T110	3
*6	0000RF01RJ	T166	CONTROL & DUMPING HANDLE GRIPS - 139350 - T166 (ROUND)	1
6	0000RF01RJ-1	T166-1	DRUM DUMPING HANDLE GRIP - 139350 - T166-1 (FLAT)	1
7	0200CO01TQ	T168	DRUM DUMPING HANDLE W/ GRIP - T168	1
8	TOCD038112	T176	HEX BOLT 3/8" X 1-1/2" - T176 - C141 - 226230	2
9	TCCS038GAL	T114	HEX LOCK NUT 3/8" - 227830 - T114 - C142	10
10	TCCS012GAL	T106	HEX LOCK NUT 1/2" - T106 - 227854 - C304	1
11	TOCD012134	T189	HEX BOLT HD 1/2" X 1 3/4" - T189 - 226660	1
12	0000GRH045	T102	DRUM BEARING, GREASE FITTING 45 DEG - T102 - 110689	2
13	0000BA20824	T175	BALL BEARING, 1746208-108 - 110450 - T175 (W/O GRS FITTING)	2
14	SM00300INT	T177	DRUM TRUNNION RETAINING RING 3" - T177	2
15	TOCL038112	T174	CARRIAGE BOLT 3/8" X 1-1/2" GR2 ZP - 117771 - 117771 - T174	8
16	0204SO01RJ	T589	MM12 DRUM DUMPING LOCK BAR - T589	1
17	0200KI01TN	T172	DRUM HUB SEALS KIT (ONE END) - T172	2
18	0200CO01TN	T173-2	TRUNNION 4 HOLES FOR 3/8" SCREWS - T173-2	1
19	0200LA01TN	T169	DRUM HUB STEEL SPACER - T169	2



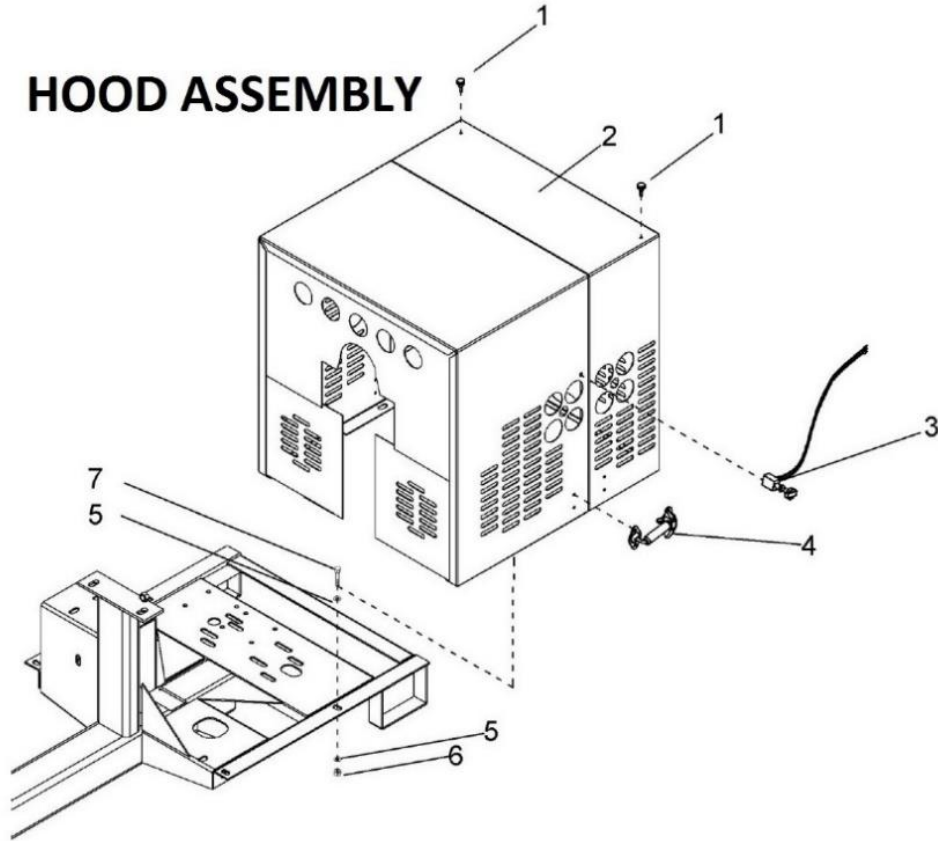
PADDLE ASSEMBLY				
ITEM	SKU #	PART #	DESCRIPTION	MM12G
1	0220CR01FC	T654	SQUARE MAIN SHAFT MM12G 1-3/4" X ##-#/# MM12G - T654	1
2	0204CO01AS-1	T606-2	PADDLE CENTER RIGHT MM12 -MM12G (1" GRIP) - T606-2	1
3	0204CO02AS-1	T408-2	CENTER PADDLE LEFT MM12 - MM12G (1" GRIP) - T408-2	1
4	0204CO04AS-1	T614-2	HITCH END, END PADDLE RIGHT ARM MM12 - MM12G (1" GRIP) T614-2	1
5	0204CO03AS-1	T609-2	ENGINE END, END PADDLE LEFT ARM MM12 - MM12G (1" GRIP) T609-2	1
6	0202CO02RP	T600	ENGINE END, END SCRAPER LEFT MM12 (1" GRIP) - T600	1
7	TOCD012312	N/A	HEX BOLT HD 1/2 X 3-1/2 (1" GRIP PADDLES) - 120520 - 226745	6*
8	TCCS012GAL	T106	HEX LOCK NUT 1/2" - T106 - 227854 - C304	6
9	0200TU01FC	T413	MAIN SHAFT BUSHING - T413	N/A
10	0200PL01FC	T152	MM PADDLE SHAFT PLAIN WASHER 3/16" - T152 - T162	N/A
11	RNRX038GAL	T113	LOCK WASHER 3/8 T113 - C144 -176230	N/A
12	TOFD038100	T116	HEX BOLT 3/8 X 1 NF - 226210 - T116	N/A
13	TOCD038200	T145	HEX BOLT HD, GR5 3/8" X 2" - 226250 - T145- C158	4
14	RNPX038GAL	T112	PLAIN WASHER 3/8" - T112 - C139 - 174986 - 701032 - C140	40
15	0201RF01AS	T180	CENTER PADDLE RUBBER BLADE MM6-MM12 - T186 - T307 - T312	4
16	0200SO01AS	T181	CENTER PADDLE STEEL BLADE MM6 - MM12 - T181 - T187 - T313	4
17	TCCS038GAL	T114	HEX LOCK NUT 3/8" - 227830 - T114 - C142	20
18	TOCD038112	T176	HEX BOLT 3/8" X 1-1/2" - T176 - C141 - 226230	18
19	0200RF02AS	T310	END PADDLE SIDE RUBBER BLADE MM8/MM10/HM12/HM16 - T310	2
20	0200SO02AS	T311	END PADDLE SIDE STEEL BLADE MM80/MM12 - T311	2
21	0202CO01RP	T598	HITCH END, END SCRAPER RIGHT MM12/MM12G (1" GRIP) - T598	1
22	0200KI03AS	T301	RUBBER BLADE KIT MM8-MM12-HM12	1

COMPLETE PADDLE/RUBBER KITS				
#	SKU #	PART #	DESCRIPTION	MM12G
23	0204KI01AS-1	T606-3	COMPLETE PADDLE SET MM12 -MM12G (1" GRIP) - T606-3	1
24		496242	LEFT/RIGHT & STEEL PLATE SCRAPERS MM12 - MM12G	2
25	0204KI01ES	T206-3	MM12S SPIRAL BLADE KIT - T206-3	1

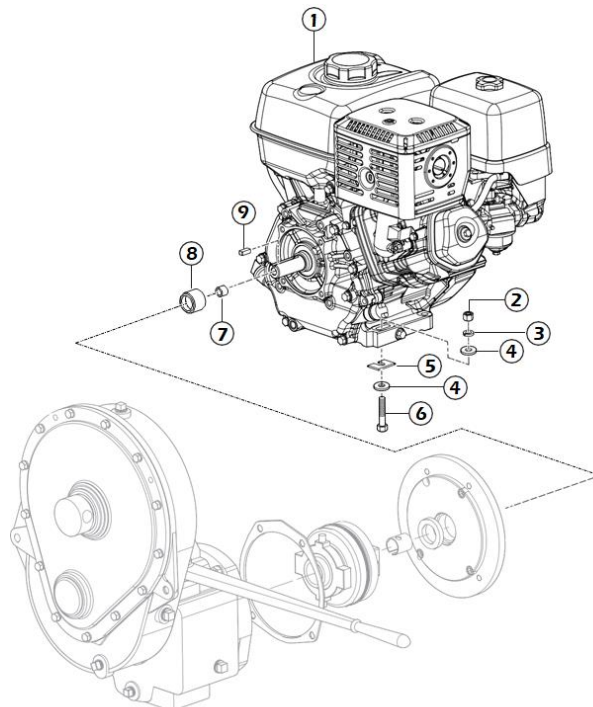


MMG FRAME ASSEY				
#	MANUF. #	PART #	DESCRIPTION ENGLISH	MM12G
1G	0220CO01CH	T675	FRAME MM12G 2020 - T675	1
*	0220CO01CH-1	T675-1	FRAME & DRUM ASSEY MM12G 2020 – (NO ENGINE NOR G.BOX)	1
2G	CAD3516GAL	T501	5/16 SAFETY CHAIN W/ OVAL SNAPS T501 - 609686 - 701012 - CA03316GAL	1
3G	0000CO03LZ	T118-V	PINTLE HITCH VERTICAL HOLE - 702069 - T118 - C193	1
3G	0000CO04LZ	T119-V	2" BALL HITCH VERTICAL HOLE - 702070 - T119	1
4G	0111SR01LZ	T110	3/6" COTTER PIN CP-85H - SR00036EXT - T110 - 134955	1
5G*	TCFN034GAL	T124	TOWING HITCH, HEX NUT, 3/4 NF - 701028 - T124 - C179 (OBSELETE)	1
5G	TCFN058GAL	T124-1	TOWING HITCH, HEX NUT, 5/8 NF - T124-1 - 701033	1
6G*	RNRX034GAL	T123	TOWING HITCH, SPRING WASHER 3/4" - 174510 - T123 (OBSELETE)	1
6G	RNRX058GAL	T123-1	TOWING HITCH, SPRING WASHER 5/8" - T123-1 - 701032	1
7G*	TOFD034312	T122	TOWING HITCH, HEX HEAD SCREW 3/4" X 3-1/2" - T122 - C148 - 226272 – 701001 (OBSELETE)	1
7G	TOFD058312	T122-1	TOWING HITCH, HEX HEAD SCREW 5/8" X 3-1/2" - T122-1 - 701035	1
8G*	0000CR01LZ	T121	TOWING HITCH, LOCK PIN - T121 - C169 - 496088 – 702078 (OBSELETE)	1
8G	TOFD058312-A	T121-1	TOWING HITCH, LOCK PIN - T121-1 - 701031	1
12G	0200CO01CH	T107	TOWING/DUMPING LOCK PIN - T107	1
14G	TCCN012GAL	T190	HEX LOCK NUT 1/2" - T190 - C178 (WELDED TO THE FRAME)	3
15G	0220FG02AC	T684	ARM, LEVER 6SR-S12S/MM12G (R3) LEVER ARM - T684 - 496049	1
16G	00PE056112	T683	PIN SPR SL STD 5/16 X 1 - 1/2" - 135282 - T683	1
17G	00CHPI2300	T101	3" DRUM PILLOW BLOCK - T101	2
18G	0000GRH045	T102	DRUM BEARING, GREASE FITTING 45 DEG - T102 - 110689	2
19G	TOCD012212	T104	HEX BOLT HD 1/2" X 2-1/2" - T104 - C146 - 226690	4
20G	RNPX012GAL	T105	PLAIN WASHER 1/2" - T105 - C172 - 174470	6
21G	TCCS012GAL	T106	HEX LOCK NUT 1/2" - T106 - 227854 - C304	12
22G	0000RF01CH	T109	TOWING/DUMPING, LOCK PIN SPRING - T109	1
23G	RNPX034GAL	T108	PLAIN WASHER 3/4" X 1-1/2" - 174996 - T108 - 248277	1
27G	0000RF03CH	C165	SET AXLE LEIFS SPRINGS FOR CM - C165	2
28G	0222CO01RD	T381	AXLE MM12G NO HUBS	1
28G	0222CO01RD-1	T381-1	AXLE ASSEMBLY MM12G W/HUBS	1
29G	0200KI03RD	T129-1	WHEEL HUB W/ 1" BRG L44643 & DUST CAP - 702071 - T129 - C135 (NEW STYLE)	2
30G	0000CO01RD	T137	WHEEL & TIRE ASSY 165-80 R13" - T137 - 431081 - C136	2
31G	0000RF10RD	T136-1	HIGH SPEED WHEELS HUB, DUST CAP (NEW STYLE) - T136-1	2

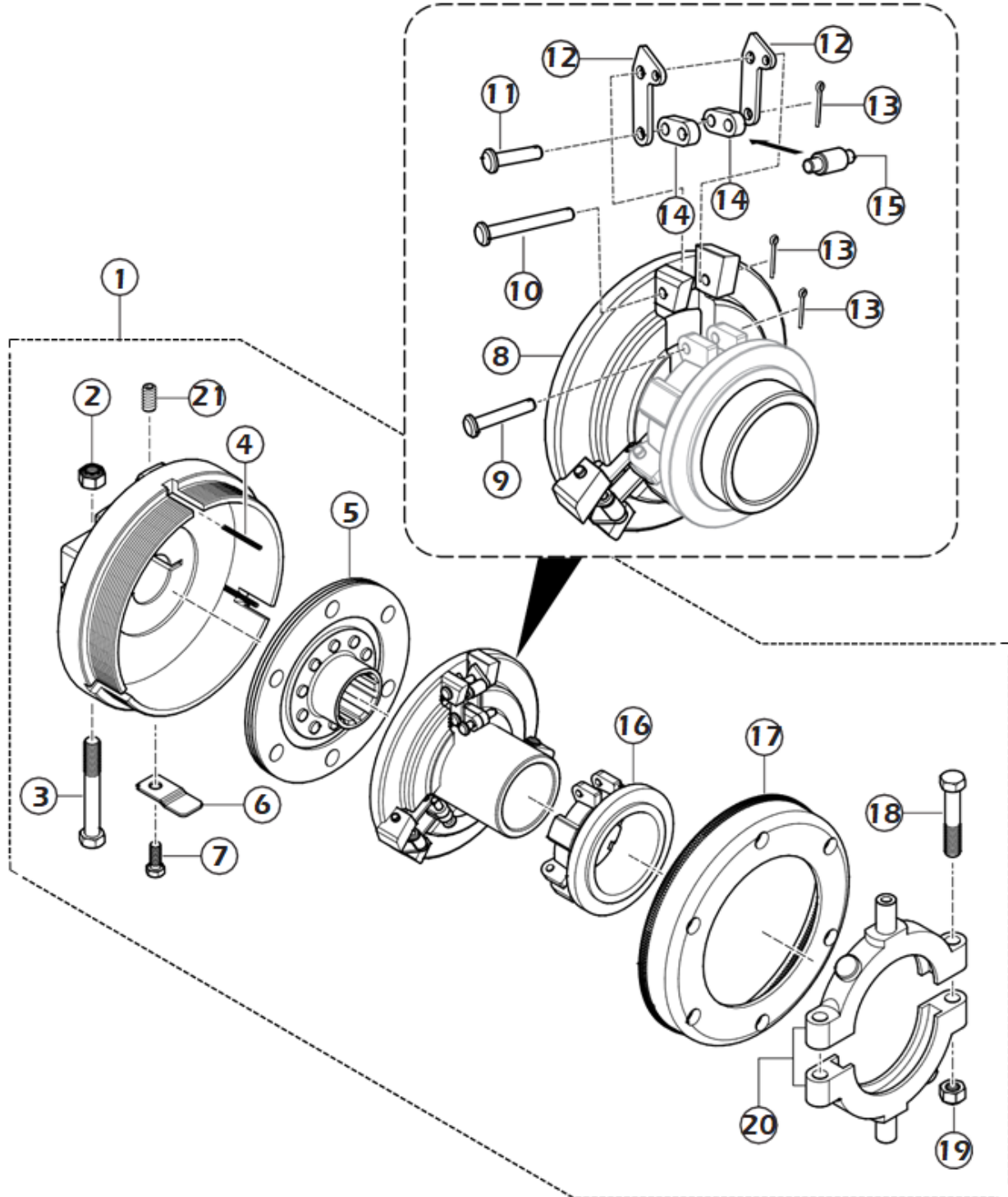
HOOD ASSEMBLY



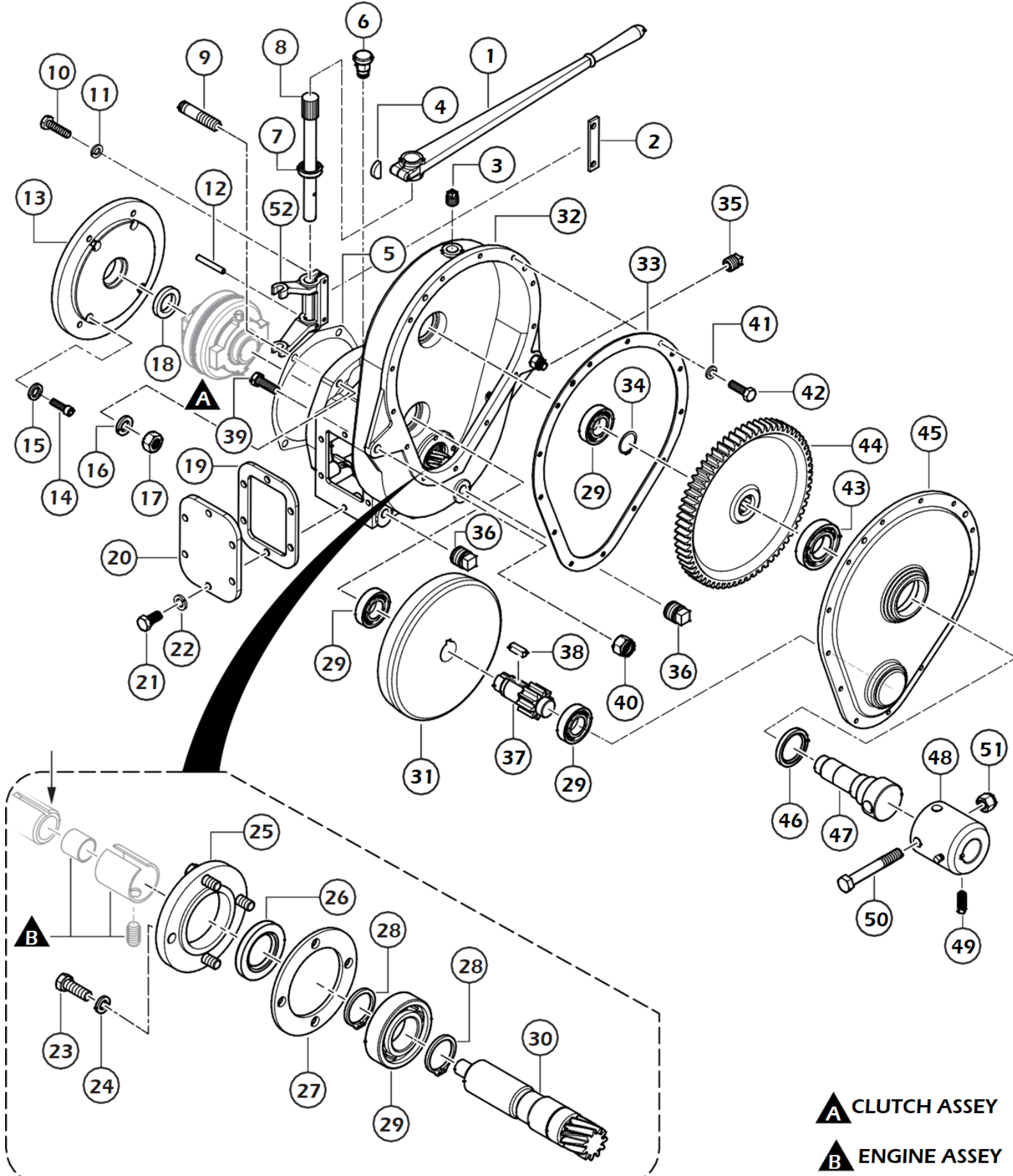
HOOD ASSEMBLY					
#	MANUF. #	PART #	DESCRIPTION	MM12	MM12G
1	0000RF01GA	T158	RUBBER SCREW 1/4" FOR SHROUD - T158 - C159 - 201544	2	2
2	0221CO01GA	T601	MM12 SQUARE SHROUD ASSEY (BLACK) - T601 - T157-12	1	
2	0220CO01GA	T601G	MM12G SQUARE SHROUD ASSEY (BLACK) - T601G		1
3	0200KI01GA	T193	ENGINE KILL SWITCH ASSEY RED (WITH HARNESS) 701007 - T193	1	1
3	0200KI01GA	T195-1	ENGINE N.O KILL SWITCH RED (NO HARNESS) - 816769AS - 112500 - T195-1 - 290100	1	1
4	0000RF02GA	T160	SHROUD HOOK ASSEMBLY - T160 - C161 - 701004 - 201543	2	2
5	RNPX038GAL	T112	PLAIN WASHER 3/8" - T112 - C139 - 174986 - 701032 - C140	8	8
6	TCCS038GAL	T114	HEX LOCK NUT 3/8" - 227830 - T114 - C142	4	4
7	TOCD038112	T176	HEX BOLT 3/8" X 1-1/2" - T176 - C141 - 226230	4	4
8G	ASK FOR #		ENGINE SHROUD SERVICE LID	N/A	1



ENGINE ASSEY MMG				
#	SKU #	PART #	DESCRIPTION	MM12G
1G	202018M		ENGINE, HONDA GX390U1QA2 13HP MODIFIED FOR MM12G	1
2G	CALL FOR #		NUT, HEX 3/8"	4
3G	CALL FOR #		WASHER, LOCK 3/8" DIA	4
4G	CALL FOR #		WASHER, FLAT 3/8"	8
5G	TK511122		FITTING, ENGINE	2
6G	CALL FOR #		SCREW CAP 3/8"	4
7G	TK801570		BRONZE PILOT BUSHING FOR MM12G ENGINE	1
8G	TK203040		13376 ENGINE SLEEVES FOR MM12G	1
9G	CALL FOR #		KEY, 1/4" X 5/16" X 1"	1



CLUTCH ASSEY MMG				
#	SKU #	PART #	DESCRIPTION	MM12G
1G	TK934022		MM12G CLUTCH ASSEMBLY	1
2G	CALL FOR #		NUT, NYLOC 5/16-24	1
3G	CALL FOR #		BOLT, 5/16-24 X 1-3/4" HEX	1
4G	TK918009		SPRING, RELEASE	3
5G	TK934041		SPLINDER DRIVEN MEMBER	1
6G	TK934040		LOCK, ADJUSTING	1
7G	CALL FOR #		BOLT HHCS 1/4-20 X 1/2"	1
8G	TK934042		PRESSURE PLATE	1
9G	TK925013		PIN 3/16 X 1-3/8	3
10G	TK925016		PIN 3/15 X1	3
11G	TK925018		PIN 3/16 X 3/4	3
12G	TK959012		CLUTCH LEVER	6
13G	CALL FOR #		COTTER PIN 1/16D X 1/2	9
14G	TK934053		CONNECTING LINK	6
15G	TK934054		CLUTCH ROLLER	3
16G	TK934032		RELEASE SLEEVE	1
17G	TK934045		ADJUSTING RING	1
18G	CALL FOR #		BOLT 5/16-24 X 1-3/4 HEX	2
19G	CALL FOR #		NUT, NYLOC 5/16-24	2
20G	TK934044		RELEASE BEARING ASSEMBLY	1
21G	CALL FOR #		SET SCREW 5/16-18 1/2	1



A CLUTCH ASSEY

B ENGINE ASSEY

TRANSM. ASSEY MM12G				
#	SKU #	PART #	DESCRIPTION	MM12G
G	TK600000		COMP. TRANSMISSION ASSY	1
1G	TK600018		SHIFTER LEVER FOR MM12G	1
2G	TK600024		LOCK PLATE	1
3G	TK922356		GEARBOX CASE BREATHER	1
4G	TK927048		KEY, WOODRUFF (NOT SAME AS EM12)	1
5G	TK801965		GASKET	1
6G	TK511233		BREATHER	1
7G	TK914005		OIL SEAL	1
8G	TK600029		SHIFTER SHAFT	1
9G	TK300999		GEARBOX HOUSING STUD	4
10G	CALL FOR #		HHCS 1/4-20X1	2
11G	CALL FOR #		LOCK, WASHER 1/4	2
12G	1729		ROLL PIN 1729	1
13G	TK203038		ADAPTER PLATE KIT, HONDA	1
14G	CALL FOR #		SCREW, SHCS 3/8-16 X 1-1/4 PLTD	4
15G	CALL FOR #		WASHER, COPPER	4
16G	CALL FOR #		LOCK, WASHER 1/16-14	4
17G	CALL FOR #		HHCS 1/4-14	4
18G	TK13377		OIL SEAL 13377	1
19G	TK600026		SHIFTER COVER GASKET	1
20G	TK931233		COVER PLATE	1
21G	CALL FOR #		HHCS 3/8-16 X 3/4	4
22G	CALL FOR #		LOCK, WASHER 3/8	4
23G	CALL FOR #		HHCS 5/16-18X1	4
24G	CALL FOR #		LOCK, WASHER 5/16	4
25G	TK600023		BEARING RETAINER	1
26G	TK914209		OIL SEAL	1
27G	TK600022		GASKET, RETAINER	1
28G	CALL FOR #		SNAP RING	2
29G	TK902091		BALL BEARING	4
30G	TK600016		INPUT SHAFT	1
31G	TK600020		INTERNAL GEAR	1
32G	TK600012		TRANSMISSION HOUSING	1
33G	TK600021		TRANSM. GASKET COVER	1
34G	TK926036		SNAP RING	1
35G	TK511064		SQUARE HEAD PLUG 1/2"	1
36G	TK911329		SQUARE PIPE PLUG 3/8"	2
37G	TK600131		OUTPUT DRIVE PINION	1
38G	TK010062		SQUARE KEY 3/8" X 3/8"	1
39G	CALL FOR #		HHCS 1/2-13 X 1-1/2	1
40G	CALL FOR #		1/2-13 NYLOC NUT	1
41G	CALL FOR #		LOCK, WASHER 5/16	17
42G	TK0202		HHCS 5/16-18 X 1	17
43G	TK902161		BALL BEARING	1
44G	TK600133		OUTPUT SHAFT GEAR	1
45G	TK600014		TRANSMISSION COVER	1
46G	TK914207		OIL SEAL	1
47G	TK600015		OUTPUT SHAFT	1
48G	TK200255		PADDLE SHAFT CONNECTOR FOR TK MM12G (NOT SAME AS EM12)	1
49G	TK961019		SQUARE HHS 3/8 X 1-1/4	2
50G	TK963157		BOLT, 5/8 G5 ONLY (SHEAR PIN)	1
51G	TK969085		NUT, NYLOC 5/8	1
52G	TK600028		CLUTCH YOKE	1