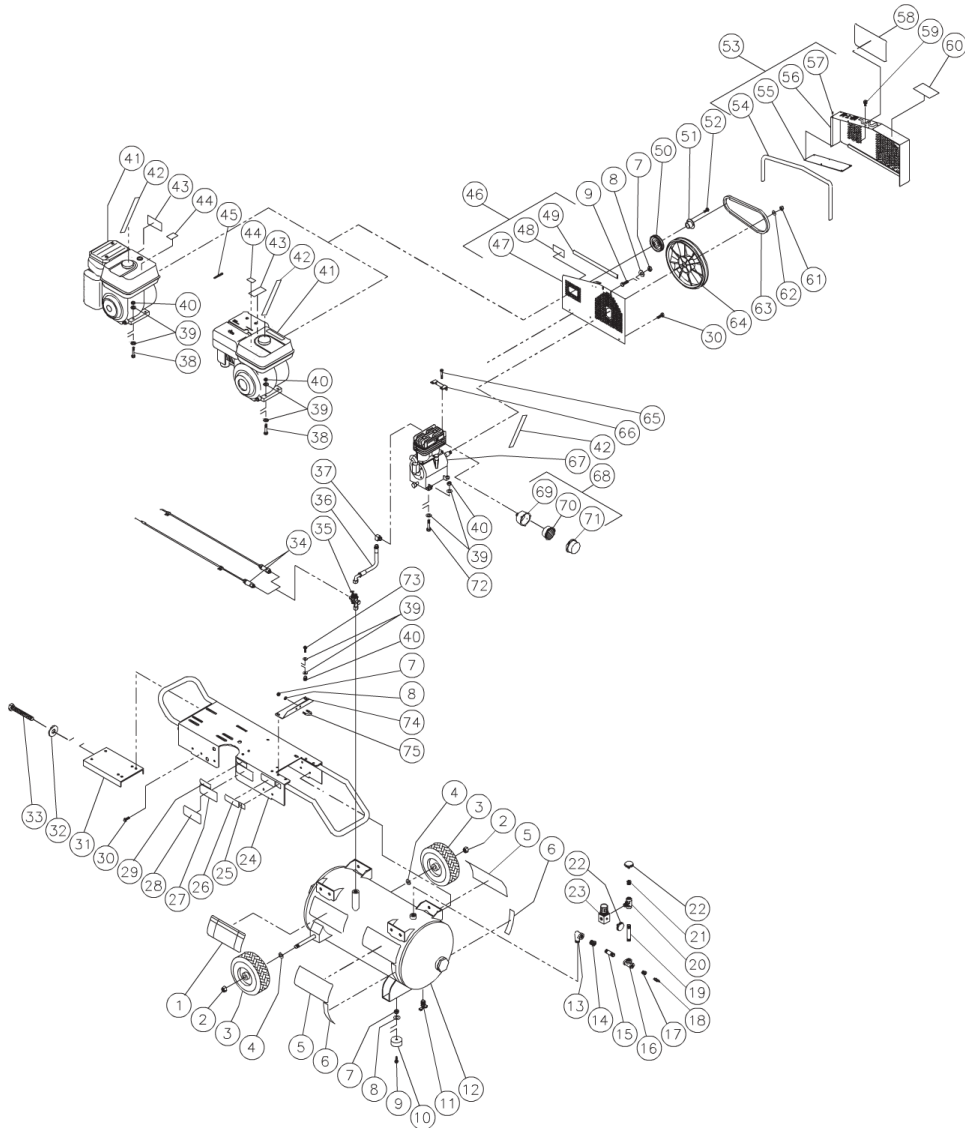




AC1-PV06-20M / AC1-PV06-20M (sn:0-20005188)

TANK ASSEMBLY



Id	Item #	Description	Quantity	Rev	Comments
1	34-0819	DECAL- DANGER/WARNING/CAUTION	1		
2	30-0117	NUT	2		
3	14-0017	WHEEL	2		
4	28-0008	WASHER	2		
5	34-0828	DECAL- MI-T-M AIR COMPRESSOR	2		
6	34-0815	DECAL- TANK DRAIN	2		

Id	Item #	Description	Quantity	Rev	Comments
7	30-0155	LOCKNUT	6		
8	28-0002	WASHER	6		
9	27-0015	BOLT	4		
10	14-0069	ISOLATOR	2		
11	23-0312	DRAIN VALVE	1		
12	854-0047	AIR TANK ASSEMBLY	1		
13	24-0183	ELBOW	1		
14	24-0108	BUSHING	2		
15	24-0175	NIPPLE	1		
16	24-0179	TEE	1		
17	24-0181	BUSHING	1		
18	22-0228	SAFETY RELIEF VALVE	1		
19	24-0177	NIPPLE	1		
20	24-0184	TEE	1		
21	24-0182	BUSHING	1		
22	22-0257	PRESSURE GUAGE	2		
23	22-0231	ADJUSTABLE REGULATOR	1		
24	854-0048	BASE PLATE	1		
25	34-0521	DECAL-AMERICAN FLAG	1		
26	34-0823	DECAL- WARNING: HOT SURFACE	1		
27	N/A	DECAL- DATA PLATE	1		
28	N/A	DECAL-CLEAR LAMINATE	1		
29	N/A	DECAL-SERIAL NUMBER	1		
30	27-9524	BOLT	11		
31	20-0425A01	BELT TENSIONER PLATE	1		
32	28-0023	WASHER	1		
33	27-0576	BOLT	1		
34	33-0262	THROTTLE CONTROL- HONDA	1		
34	33-0263	THROTTLE CONTROL- VANGUARD	1		
35	22-0260	PILOT VALVE	1		
36	15-0183	HOSE	1		
37	23-0034	ELBOW	1		
38	27-0070	BOLT	4		
39	28-0003	WASHER	22		
40	30-0157	LOCKNUT	10		
41	1-0013	ENGINE- HONDA 5.5 HP	1		
41	1-0069	ENGINE- VANGUARD 6.0 HP	1		
42	34-0816	DECAL- CHECK OIL TAPE	2		
43	34-0130	DECAL- WARNING: MUFFLER HOT	1		

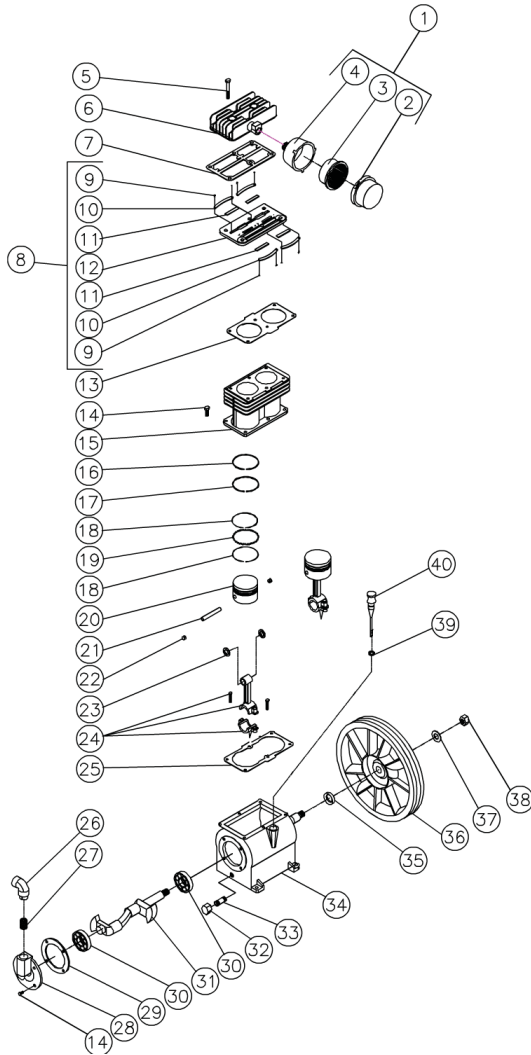
Id	Item #	Description	Quantity	Rev	Comments
44	34-0588	DECAL- CAUTION: ALLOW TO COOL	1		
45	43-0073	KEY	1		
46	854-0007	BELTGUARD BACK ASSEMBLY (INC. 44-46)	1		
47	N/A Sep.	BELTGUARD BACK (SEE 854-0007)	1		
48	34-0575	DECAL- WARNING: BELTGUARD IN PLACE	1		
49	33-0020	EDGING *(TWO FEET REQUIRED)	1		
50	10-0101	DRIVE PULLEY	1		
51	9-0009	BUSHING	1		
52	27-0015	BOLT	2		
53	854-0008	BELTGUARD COVER ASSEMBLY (INC. 54-57)	1		
54	33-0020	EDGING *(FOUR FEET REQUIRED)	1		
55	20-0430A09	LOGO BACKING PLATE	1		
56	N/A Sep.	BELTGUARD COVER (SEE 854-0008)	1		
57	53-0003	POP RIVET	6		
58	34-0817	DECAL- MAINTENANCE INSTRUCTIONS	1		
59	33-0197	FASTENER	1		
60	34-0821	DECAL- OPERATING INSTRUCTIONS	1		
61	30-0122	FLYWHEEL NUT (W/COMPRESSOR)	1		
62	28-0008	FLYWHEEL FLATWASHER W/COMPRESSOR	1		
63	11-0040	DRIVE BELT	1		
64	10-0083	FLYWHEEL W/COMPRESSOR	1		
65	27-0072	BOLT	2		
66	20-0429A01	BELTGUARD BRACKET	1		
67	3-0166	COMPRESSOR	1		
68	19-0083	AIR FILTER ASSEMBLY (INC. 69-71)	1		
69	N/A Sep.	FILTER HOUSING (W/COMPRESSOR (SEE 19-0083)	1		
70	19-0082	AIR FILTER REPLACEMENT ELEMENT	1		
71	19-0084	FILTER HOUSING	1		
72	27-0068	BOLT	4		
73	27-0066	BOLT	2		
74	20-0482A01	BRACKET	1		
75	27-8931	BOLT	1		

*MUST ORDER IN ONE FOOT LENGTHS



AC1-PV06-20M / AC1-PV06-20M (sn:0-20005188)

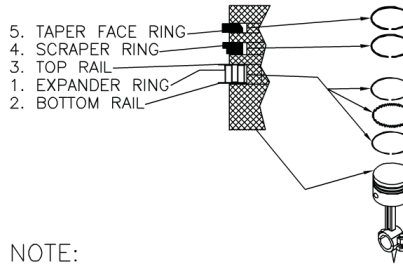
PUMP



POSITION	TORQUE SPECS.		REQUIRED LOCKTITE
	FT-LBS	Nm	
5	17.0	2.4	NO
9	.80	.10	LOCKTITE 620
14	17.0	2.4	NO
24	7.0	1.0	NO
39	50.0	6.9	NO

PIP MARKS ARE LOCATED ON TOP SURFACE OF THE RINGS

IMPORTANT: RINGS MUST BE ASSEMBLED IN THE POSITION SHOWN AND IN THE FOLLOWING NUMERICAL SEQUENCE:



NOTE:
ONCE THE RINGS ARE IN PLACE ROTATE THEM SO THE GAPS ARE NOT ALIGNED.

Id	Item #	Description	Quantity	Rev	Comments
1	19-0083	AIR FILTER ASSEMBLY (INCLUDES 2-4)	1		
2	19-0084	AIR FILTER COVER	1		
3	19-0082	AIR FILTER ELEMENT	1		
4	N/A Sep.	AIR FILTER BODY (SEE 19-0083)	1		
5	27-0072	BOLT	6		

Id	Item #	Description	Quantity	Rev	Comments
6	46-0801	CYLINDER HEAD	1		
7	N/A Sep.	HEAD GASKET (SEE 70-0201)	1		
8	N/A Sep.	VALVE PLATE ASSEMBLY (INCLUDES 9-12) (SEE 70-0201)	1		
9	N/A Sep.	SCREW (SEE 70-0201)	8		
10	N/A Sep.	RETAINER-REED VALVE (SEE 70-0201)	4		
11	N/A Sep.	REED VALVE (SEE 70-0201)	4		
12	N/A Sep.	VALVE PLATE (SEE 70-0201)	1		
13	N/A Sep.	GASKET (SEE 70-0201)	1		
14	27-0066	BOLT	8		
15	46-0802	CYLINDER	1		
16	N/A Sep.	PISTON RING- TAPER FACE (SEE 70-0200)	2		
17	N/A Sep.	PISTON RING- SCRAPER (SEE 70-0200)	2		
18	N/A Sep.	OIL RING-RAIL (SEE 70-0200)	4		
19	N/A Sep.	OIL RING-EXPANDER (SEE 70-0200)	2		
20	N/A Sep.	PISTON (SEE 70-0200)	2		
21	N/A Sep.	WRIST PIN (SEE 70-0200)	2		
22	N/A Sep.	WRIST PIN END CAP (SEE 70-0200)	4		
23	N/A Sep.	THRUSTWASHER (SEE 70-0200)	4		
24	N/A Sep.	CONNECTING ROD ASSEMBLY (INCLUDES 2 TAPTITE SCREWS) (SEE 70-0200)	2		
25	N/A Sep.	GASKET (SEE 70-0201)	1		
26	33-0266	BREATHER ELBOW	1		
27	46-0751	CRANKCASE BREATHER ELEMENT	1		
28	48-0065	BEARING CARRIER	1		
29	N/A Sep.	GASKET (SEE 70-0202)	1		

Id	Item #	Description	Quantity	Rev	Comments
30	48-0060	BEARING	2		
31	46-0749	CRANKSHAFT (INCLUDES 2 MOUNTED BALL BEARINGS)	1		
32	N/A	PIPE CAP	1		
33	23-0317	PIPE NIPPLE	1		
34	46-0750	CRANKCASE	1		
35	N/A Sep.	SEAL (SEE 70-0202)	1		
36	10-0083	FLYWHEEL	1		
37	28-0008	FLATWASHER	1		
38	30-0122	HEXNUT	1		
39	25-0425	O-RING	1		
40	22-0234	OIL DIP STICK	1		
KIT	70-0198	AIR FILTER KIT (INC. 1-4)			
KIT	70-0199	PISTON RING KIT (INC. 16-19)			
KIT	70-0200	PISTON & CONNECTING ROD ASSEMBLY KIT (INC. 16-24)			
KIT	70-0201	CYLINDER & HEAD ASSEMBLY KIT (INC. 5-8, 13-15, 25)			
KIT	70-0202	GASKET KIT (INC. 7, 13, 25, 29, 35, 39)			
KIT	70-0203	VALVE PLATE ASSEMBLY (INC. 7, 8, 13)			