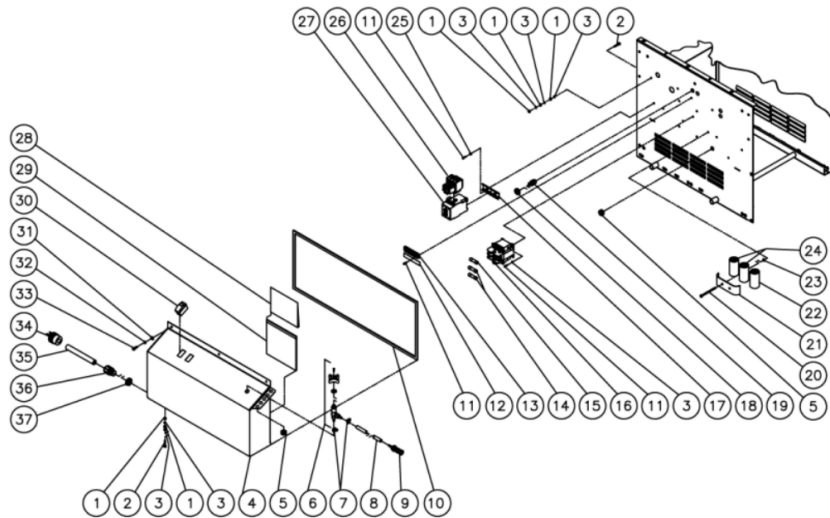




HHS-3004-0E8A / HHS-3004-0E8A (sn:0-99999999)

## ELECTRIC BOX



Id	Item #	Description	Quantity
1	30-6001	NUT	5
2	27-8807	BOLT	2
3	28-1009	WASHER	7
4	20-0534A1 8	ELECTRIC BOX	1

Id	Item #	Description	Quantity
5	33-0001	GROMMET	9
6	22-0226	DETERGENT VALVE	1
7	42-0004	HOSE CLAMP	2
8	15-0021	HOSE *(SIX FEET REQUIRED)	1
9	19-0056	DETERGENT STRAINER W/CHECK	1
10	26-0240	GASKET	1
11	27-8835	SCREW	6
12	34-0867	DECAL- TERMINAL STRIP	1
13	32-0436	TERMINAL STRIP	1
14	32-0467	FUSE- 0.5 AMP	2
15	32-0471	FUSE- 0.6 AMP	1
16	32-0313	TRANSFORMER	1
17	32-0316	DIN RAIL *(ONE FOOT REQUIRED)	1
18	32-0587	LOCKNUT	1
19	32-0586	STRAIN RELIEF	1
20	27-0024	BOLT (HHS-2004-0E2G/A, 0E8G/A)	1
20	27-0024	BOLT (HHS-3004-0E2G/A, 0E8G/A)	2
21	20-0467	CAPACITOR CLAMP W/MOTOR (HHS-2004-0E2G/A, 0E8G/A)	1
21	20-0538A01	CAPACITOR CLAMP (HHS-3004-0E2G/A, 0E8G/A)	1
22	32-0686	CAPACITOR W/MOTOR	1
23	30-0155	NUT (HHS-2004-0E2G/A, 0E8G/A)	1
23	30-0155	NUT (HHS-3004-0E2G/A, 0E8G/A)	2
24	32-0519	CAPACITOR W/MOTOR (HHS-2004-0E2G/A)	1
24	32-0519	CAPACITOR W/MOTOR (HHS-2004-0E8G/A, 3004-0E2G/A, 0E8G/A)	2
25	28-0001	WASHER	2
26	32-0484	OVERLOAD RELAY (HHS-2004-0E2G/A)	1
26	32-0485	OVERLOAD RELAY (HHS-2004-0E8G/A, 3004-0E2G/A, 0E8G/A)	1
27	32-0479	CONTACTOR	1
28	37-0606	WIRE DIAGRAM/SCHEMATIC	1
29	41-0184	ENVELOPE	1
30	32-0669	ROCKER SWITCH	2
31	28-0002	WASHER	3
32	29-0006	LOCKWASHER	3
33	27-0015	BOLT	3
34	32-0012	PLUG (HHS-2004-0E8G/A, 3004-0E2G/A, 0E8G/A)	1
35	32-0334	CORD (HHS-2004-0E2G/A)	1
35	32-0021	CORD *(THIRTY-SEVEN FEET REQUIRED) (HHS-2004-0E8G/A, 3004-0E2G/A)	1
35	32-0504	CORD *(THIRTY-SEVEN FEET REQUIRED) (HHS-3004-0E8G/A)	1

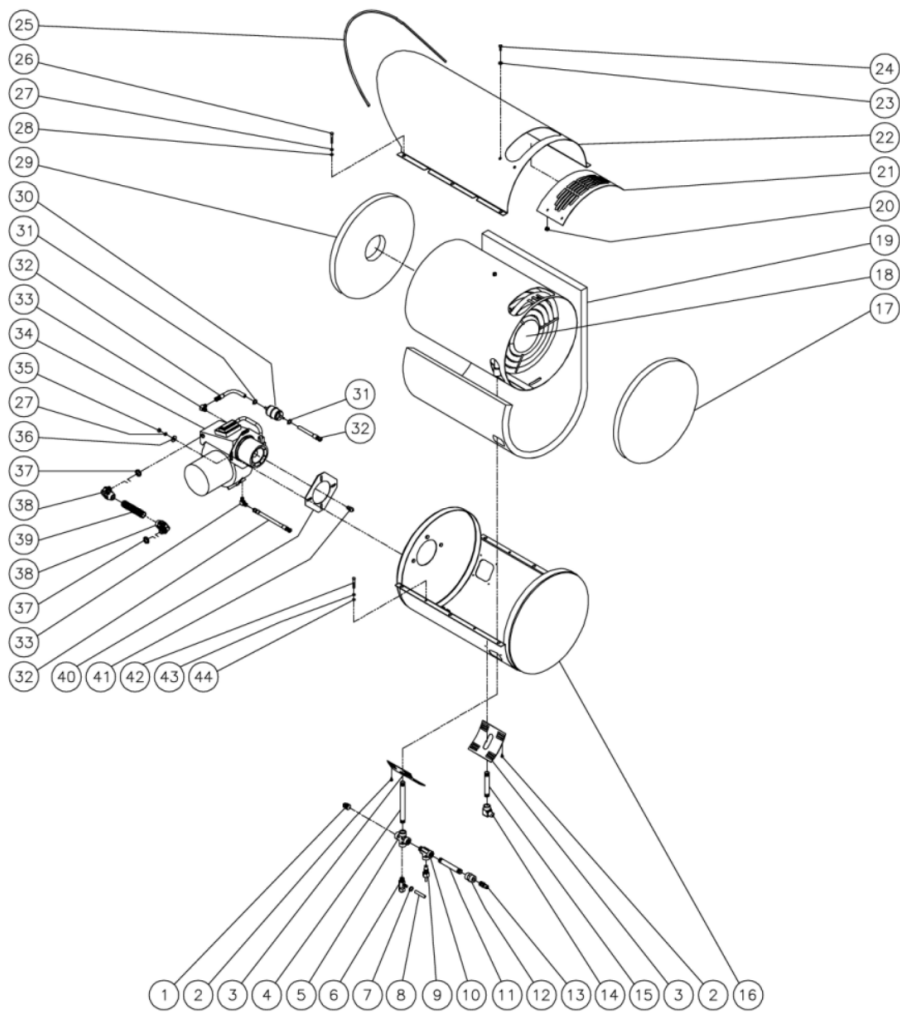
<b>Id</b>	<b>Item #</b>	<b>Description</b>	<b>Quantity</b>
36	9-0046	STRAIN RELIEF (HHS-2004-0E2G/, 0E8G/A, HHS-3004-0E2G/A)	1
36	9-0048	BUSHING CORD STRAIN RELIEF (HHS-3004-0E8G/A)	1
37	32-0292	LOCKNUT (HHS-2004-0E2G/, 0E8G/A, HHS-3004-0E2G/A)	1
37	32-0515	LOCKNUT (HHS-3004-0E8G/A)	1

\*MUST ORDER IN ONE FOOT LENGTHS



HHS-3004-0E8A / HHS-3004-0E8A (sn:0-99999999)

## HEAT EXCHANGER



Id	Item #	Description	Quantity
1	39-0016	PLUG	1
2	27-3062	SCREW	8
3	20-0537A18	PATCH PLATE	2
4	24-0255	PIPE NIPPLE	1

<b>Id</b>	<b>Item #</b>	<b>Description</b>	<b>Quantity</b>
5	24-0241	CROSS	1
6	22-0308	SAFETY RELIEF VALVE ASSY (HHS-1 002/1003/2004)	1
-	22-0309	SAFETY RELIEF VALVE ASSY (HHS-3004)	1
7	42-0004	CLAMP	1
8	15-0008	HOSE *(TWO FEET REQUIRED)	1
9	32-0667	HI-LIMIT	1
10	24-0242	STREET TEE	1
11	24-0246	PIPE NIPPLE	1
12	24-0243	ADAPTER	1
13	17-0005	QUICK CONNECT PLUG	1
14	24-0240	ELBOW	1
15	24-0245	PIPE NIPPLE	1
16	20-0527A18	BOTTOM WRAP ASSEMBLY	1
17	33-0346	INSULATION DOME	1
18	66-0014	COIL ASSEMBLY	1
19	850-0279	INSULATION BLANKET (REPLACEMENT ONLY)	1
20	30-6028	CLIP NUT	4
21	21-0138	EXHAUST PLATE	1
22	20-0528A09	TOP WRAP	1
23	28-0001	WASHER	4
24	27-8912	SCREW	4
25	33-0020	TRIMLOCK *(THREE FEET REQUIRED)	1
26	27-0121	BOLT	6
27	29-0008	LOCKWASHER	9
28	28-0030	WASHER	6
29	33-0345	INSULATION DOME	1
30	19-0110	INLINE FUEL FILTER	1
31	42-0003	CLAMP	2
32	15-0147	FUEL HOSE	2
33	23-0237	ELBOW	2
34	4-0020	BURNER (HHS-1002-0E1A/1G)	1
34	4-0019	BURNER (HHS-1003-0E1A/1G)	1
34	4-0018	BURNER (HHS-2004/3004-0E2/3/8/9A/G, HHS-3005-0E3A/G)	1
34	4-0017	BURNER (HHS-2004/3004/3005-0E4A/G)	1
35	30-0006	NUT	3
36	28-0023	WASHER	3
37	32-0108	CONDUIT W/ELBOW	2
38	32-0254	ELBOW	2
39	32-0253	CONDUIT *(TWO FEET REQUIRED)	1

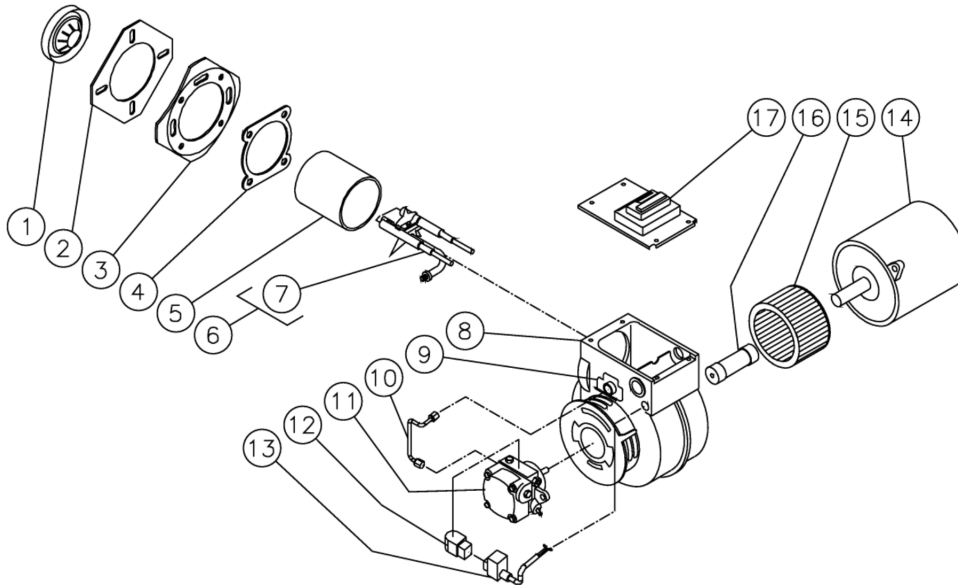
<b>Id</b>	<b>Item #</b>	<b>Description</b>	<b>Quantity</b>
40	44-0108	GASKET W/BURNER	1
41	18-0357	FUEL NOZZLE- 1.00 (HHS-1002)	1
41	18-0356	FUEL NOZZLE- 1.50 (HHS-1003)	1
41	18-0355	FUEL NOZZLE- 1.75 (HHS-3004)	1
41	18-0090	FUEL NOZZLE- 2.25 (HHS-2004)	1
41	18-0093	FUEL NOZZLE- 2.50 (HHS-3005)	1
42	27-0019	BOLT	4
43	29-0006	LOCKWASHER	4
44	28-0002	WASHER	4

\*MUST ORDER IN ONE FOOT LENGTHS



HHS-3004-0E8A / HHS-3004-0E8A (sn:0-99999999)

## BURNER ASSEMBLY



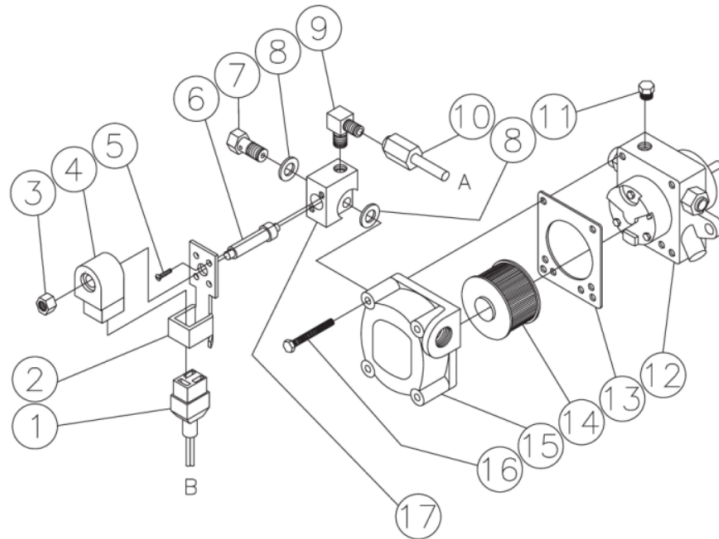
Id	Item #	Description	Quantity
1	44-0011	BURNER HEAD	1
2	44-0108	MOUNTING GASKET	1
3	44-0109	FLANGE	1
4	26-0138	GASKET	1
5	44-0110	AIR TUBE	1
6	44-0113	NOZZLE LINE ASSEMBLY (INC. 7)	1
7	44-0114	ELECTRODE KIT	1
8	44-0033	BURNER HOUSING	1
9	44-0031	ESCUTCHEON PLATE	1
10	44-0026	FUEL LINE	1
11	3-0236	FUEL PUMP	1
12	46-1020	FUEL SOLENOID	1
13	44-0122	CORD SET	1
14	2-0068	MOTOR (4-0017)	1
14	2-0067	MOTOR (4-0018)	1
15	44-0071	BLOWER WHEEL	1
16	44-0014	COUPLER	1

<b>Id</b>	<b>Item #</b>	<b>Description</b>	<b>Quantity</b>
17	44-0017	IGNITION TRANSFORMER (4-0017)	1
17	44-0015	IGNITION TRANSFORMER (4-0018)	1
	4-0017	COMPLETE BURNER (INCLUDES 1-17)	
	4-0018	COMPLETE BURNER (INCLUDES 1-17)	



HHS-3004-0E8A / HHS-3004-0E8A (sn:0-99999999)

## FUEL PUMP/SOLENOID



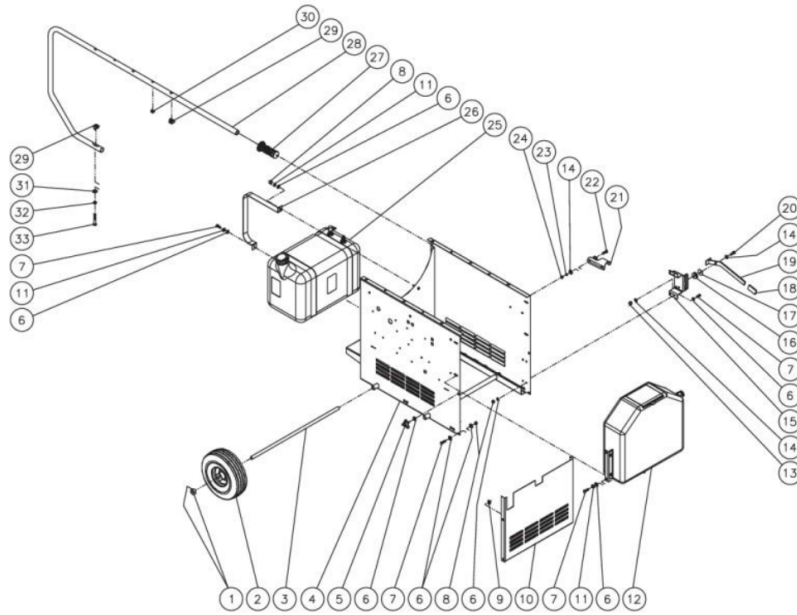
Id	Item #	Description	Quantity
1	46-1017	CORD-DIN CONNECTOR	1
2	N/A Sep.	BASE PLATE (SEE 44-0038)	1
3	46-1016	NUT-SOLENOID PISTON	1
4	44-0002	SOLENOID COIL (120V)	1

<b>Id</b>	<b>Item #</b>	<b>Description</b>	<b>Quantity</b>
5	N/A Sep.	SCREW (SEE 44-0038)	2
6	46-1012	PISTON	1
7	46-1009	BOLT	1
8	26-0150	WASHER	2
9	23-0083	ELBOW	1
10	44-0025	FUEL LINE	1
11	24-0082	PLUG	1
12	N/A Sep.	FUEL PUMP BODY (SEE 3-0020)	1
13	26-0109	COVER GASKET	1
14	19-0034	FUEL PUMP STRAINER	1
15	46-1005	FUEL PUMP COVER	1
16	46-1006	SCREW	4
17	N/A Sep.	SOLENOID BODY (SEE 44-0038)	1
	44-0038	FUEL SOLENOID- 120V (INC. 1-8, 17)	1
	3-0020	FUEL PUMP (INC. 11-16)	1



.3004-0E8A / HHS-3004-0E8A (sn:0-99999999)

## CHASSIS ASSEMBLY



Id	Item #	Description	Quantity
1	33-0351	RETAINING COLLAR W/SET SCREW	4
2	14-0017	WHEEL W/MAG	4
3	20-0524	AXLE	2
4	5-0157A18	CHASSIS ASSEMBLY	1

<b>Id</b>	<b>Item #</b>	<b>Description</b>	<b>Quantity</b>
5	7-0168	KNOB	2
6	28-0002	FLATWASHER	22
7	27-0015	BOLT	12
8	30-0155	HEX NUT	4
9	30-6026	CLIP NUT	2
10	20-0525A18	ACCESS DOOR	1
11	29-0006	LOCKWASHER	8
12	N/A Sep.	FLOAT TANK ASSEMBLY (SEE EXPLODED DRAWING)	1
13	30-0157	NUT	1
14	28-0003	FLATWASHER	4
15	20-0546A18	BRAKE	1
16	28-0057	FLATWASHER	1
17	33-0366	GROMMET	1
18	7-0170	HANDLE GRIP	1
19	20-0552A18	HANDLE BRAKE	1
20	27-0068	BOLT	1
21	20-0545A18	WAND HOLDER	1
22	27-0418	BOLT	2
23	29-0007	LOCKWASHER	2
24	30-0005	NUT	2
25	850-0303	FUEL TANK ASSEMBLY	1
26	20-0598A18	FUEL TANK STRAP	2
27	7-0167	HANDLE GRIP	2
28	7-0166A18	HANDLE	2
29	30-6025	CLIP NUT	8
30	30-6027	CLIP NUT	4
31	28-0023	WASHER	2
32	29-0008	LOCKWASHER	2
33	27-0121	BOLT	2

\*MUST ORDER IN ONE FOOT LENGTHS

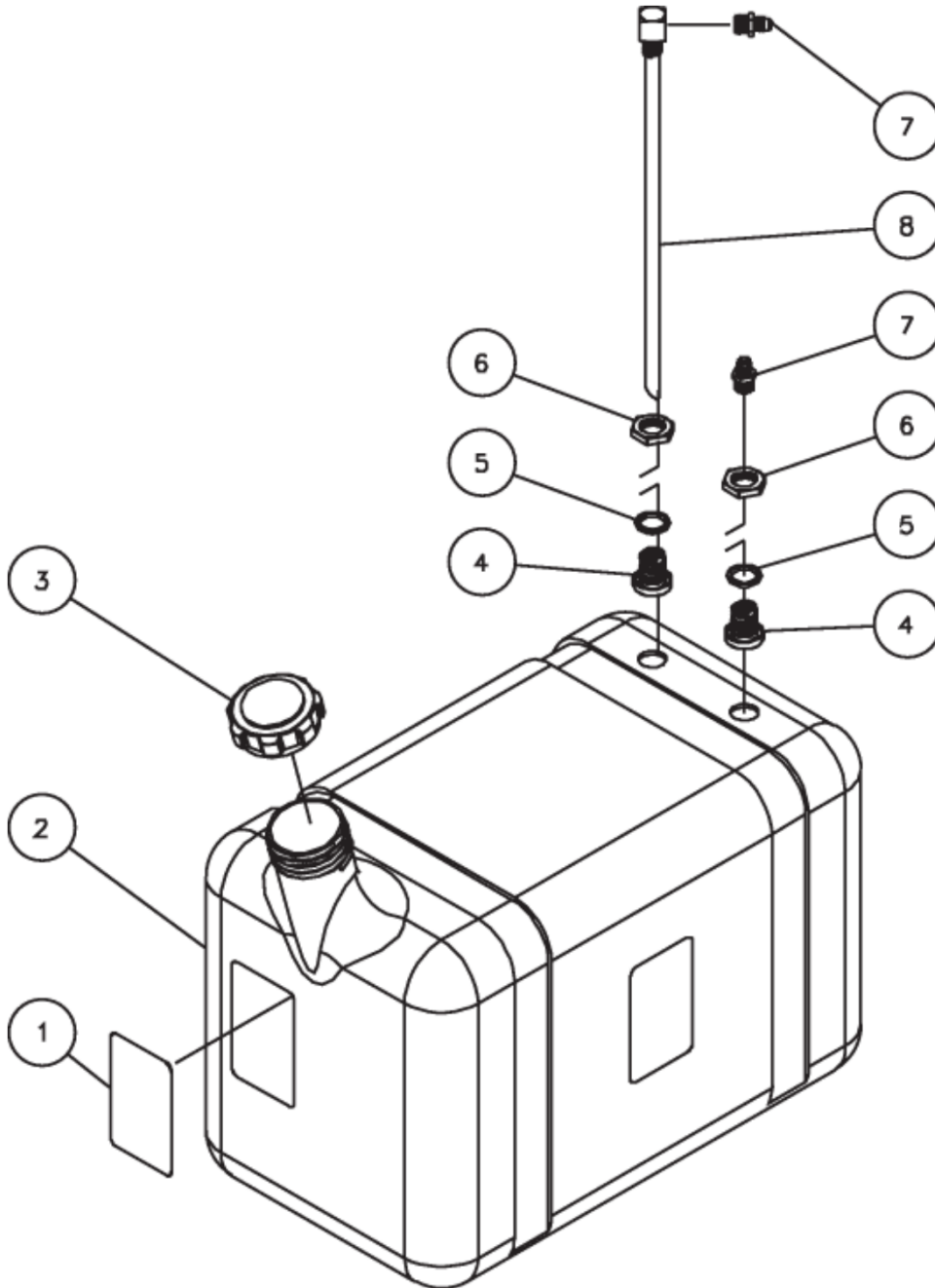


<b>Id</b>	<b>Item #</b>	<b>Description</b>	<b>Quantity</b>
10	19-0001	INLET STRAINER GASKET	1
11	27-0015	BOLT	4
12	29-0006	LOCKWASHER	4
13	28-0002	FLATWASHER	4
14	20-0599	FLOAT TANK BRACKET	2



HHS-3004-0E8A / HHS-3004-0E8A (sn:0-99999999)

## FUEL TANK ASSEMBLY



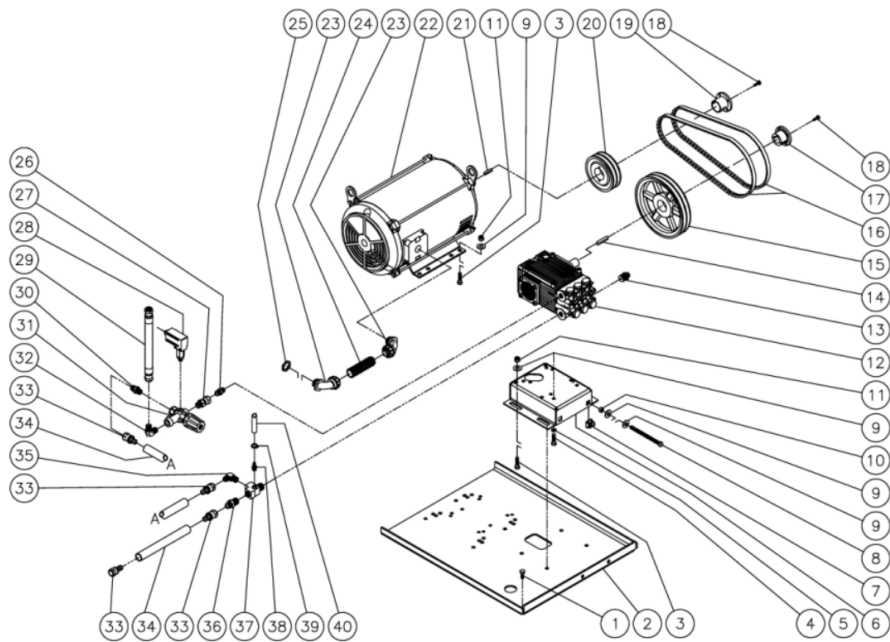
Id	Item #	Description	Quantity
1	34-1034	DECAL- CAUTION: RISK OF FIRE	1
2	12-0126	FUEL TANK	1
3	12-0033	VENTED FUEL CAP	1

<b>Id</b>	<b>Item #</b>	<b>Description</b>	<b>Quantity</b>
4	23-0408	BULKHEAD FITTING	2
5	25-0427	O-RING	2
6	23-0409	NUT	2
7	23-0247	FLARE FITTING	2
8	33-0352	FUEL PICK-UP	1



HHS-3004-0E8A / HHS-3004-0E8A (sn:0-99999999)

## MOTOR/PUMP ASSEMBLY



Id	Item #	Description	Quantity
1	27-0066	BOLT	1
2	5-0152A18	BASEPLATE	1
3	27-0118	BOLT	8
4	27-8884	BOLT	4

<b>Id</b>	<b>Item #</b>	<b>Description</b>	<b>Quantity</b>
5	29-0054	LOCKWASHER	4
6	5-0154A18	PUMP HAT	1
7	30-6025	CLIP NUT	2
8	27-0133	BOLT	2
9	28-0023	FLATWASHER	12
10	30-0006	HEX NUT	2
11	30-0159	NUT	8
12	3-0211	PUMP W/KEY	1
13	22-0005	HEAT DUMP VALVE	1
14	46-0601	KEY	1
15	10-0007	SHEAVE	1
16	11-0008	BELT (HHS-2004)	2
16	11-0007	BELT (HHS-3004)	2
16	11-0005	BELT (HHS-3005)	2
17	9-0017	BUSHING	1
18	27-0015	BOLT W/BUSHING	4
19	9-0010	BUSHING (HHS-2004)	1
19	9-0008	BUSHING (HHS-3004/3005)	1
20	10-0036	SHEAVE (HHS-2004)	1
20	10-0065	SHEAVE (HHS-3004)	1
20	10-0104	SHEAVE (HHS-3005)	1
21	43-0078	KEY	1
22	2-0107	MOTOR (HHS-2004-0E2A)	1
22	2-0108	MOTOR (HHS-2004-0E3G/4A)	1
22	2-01 09	MOTOR (HHS-3004-0E2A)	1
22	2-0110	MOTOR (HHS-3004-0E3A/4A)	1
22	2-0112	MOTOR (HHS-3005-0E3A/4A)	1
22	2-0124	MOTOR (HHS-2004-0E8A)	1
22	2-0125	MOTOR (HHS-3004-0E9A)	1
22	2-0127	MOTOR (HHS-2004-0E9A)	1
22	2-0129	MOTOR (HHS-3004-0E9A)	1
22	2-0131	MOTOR (HHS-3005-0E9A)	1
23	32-0487	CONDUIT ELBOW	2
24	32-0486	CONDUIT *(THREE FEET REQUIRED)	1
25	32-0292	LOCKNUT	1
26	24-0002	NIPPLE	1
27	24-0037	SWIVEL	1
28	22-01 71	PRESSURE SWITCH	1
29	15-0221	HIGH PRESSURE HOSE ASSEMBLY	1

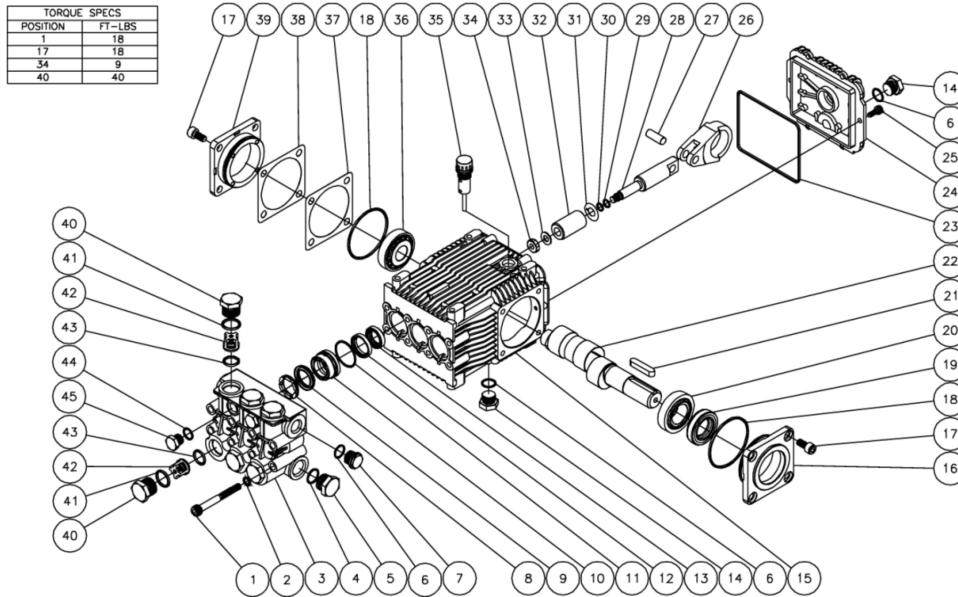
<b>Id</b>	<b>Item #</b>	<b>Description</b>	<b>Quantity</b>
30	23-0370	NIPPLE	1
31	850-0252	UNLOADER ASSEMBLY	1
32	24-0092	ELBOW	1
33	23-0360	HOSE BARB	4
34	15-0200	HOSE *(THREE FEET REQUIRED)	1
35	23-0389	ELBOW	1
36	23-0361	NIPPLE	1
37	23-0388	STREET TEE	1
38	23-0051	HOSE BARB	1
39	42-0004	CLAMP	1
40	15-0021	DETERGENT HOSE *(THREE FEET REQUIRED)	1

\*MUST ORDER IN ONE FOOT LENGTHS.



HHS-3004-0E8A / HHS-3004-0E8A (sn:0-99999999)

## PUMP ASSEMBLY



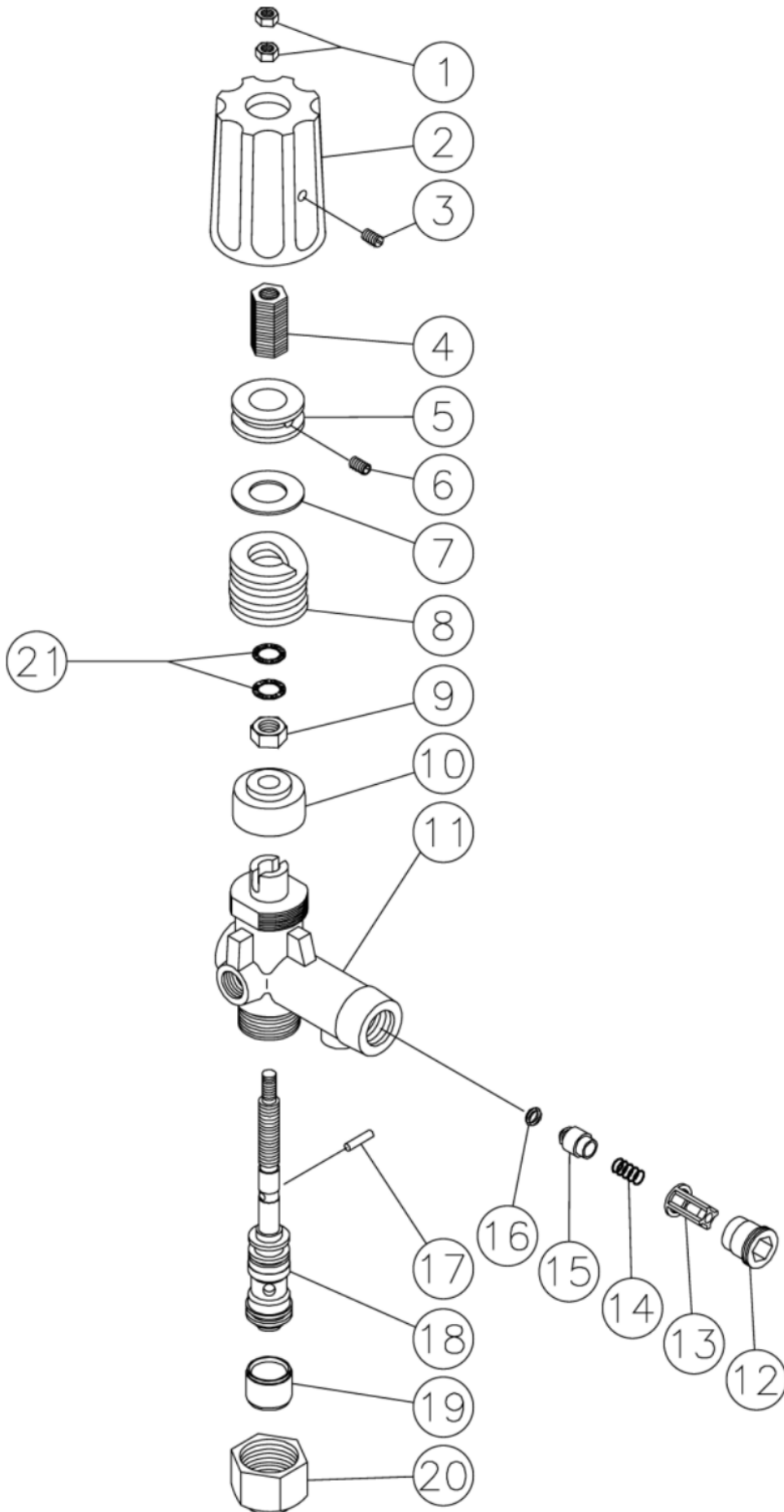
Id	Item #	Description	Quantity
1	27-8440	SCREW	8
2	29-0154	LOCKWASHER	8
3	46-0927	PUMP HEAD	1
4	25-0372	O-RING	1
5	39-0103	PLUG	1
6	25-0510	O-RING	3
7	39-0205	PLUG	1
8	SEE KIT	SUPPORT RING (SEE 70-0323)	3
9	SEE KIT	GASKET (SEE 70-0322)	3
10	46-0929	PISTON GUIDE	3
11	SEE KIT	O-RING (SEE 70-0322)	3
12	SEE KIT	GASKET (SEE 70-0322)	3
13	SEE KIT	SEAL (SEE 70-0321)	3
14	39-0206	PLUG-OIL DRAIN	2
15	46-0811	CRANKCASE	1
16	46-0691	PUMP SHAFT COVER	1
17	27-8884	SCREW	8

<b>Id</b>	<b>Item #</b>	<b>Description</b>	<b>Quantity</b>
18	SEE KIT	O-RING (SEE 70-0321)	2
19	SEE KIT	OIL SEAL (SEE 70-0321)	1
20	48-0061	BEARING	1
21	43-0091	KEY	1
22	46-0933	CRANKSHAFT	1
23	SEE KIT	O-RING (SEE 70-0321)	1
24	46-0719	CRANKCASE COVER	1
25	27-8401	SCREW	6
26	46-0922	CONNECTING ROD	3
27	46-0698	PISTON PIN	3
28	46-0699	PLUNGER ROD	3
29	25-0404	BACK-UP RING	3
30	25-0382	O-RING	1
31	46-0700	WASHER	3
32	SEE KIT	PISTON (SEE 70-0320)	3
33	26-0191	SEAL	3
34	30-6020	NUT	3
35	39-0090	OIL DIPSTICK	1
36	48-0072	BEARING	1
37	46-0936	PUMP SHIM (0.25MM)	1
38	46-0705	PUMP SHIM (0.2MM)	1
39	46-0703	BEARING CAP/ SUPPORT	1
40	39-0105	VALVE CAP	6
41	25-0160	O-RING	6
42	SEE KIT	COMPLETE VALVE (SEE 70-0319)	6
43	25-0386	O-RING	6
44	25-0387	O-RING	2
45	39-0207	PLUG	2
KIT	70-0319	VALVE KIT (INC. 6 EACH OF 42)	
KIT	70-0320	PISTON KIT (INC. 3 EACH OF 32)	
KIT	70-0321	OIL SEAL KIT (INC. 4 EACH OF 13, 18-19, 23)	
KIT	70-0322	WATER SEALS KIT (INC. 3 EACH OF 9, 11, 12)	
KIT	70-0323	SUPPORT RING KIT (INC. 3 EACH OF 8)	



· HHS-3004-0E8A / HHS-3004-0E8A (sn:0-99999999)

# UNLOADER ASSEMBLY

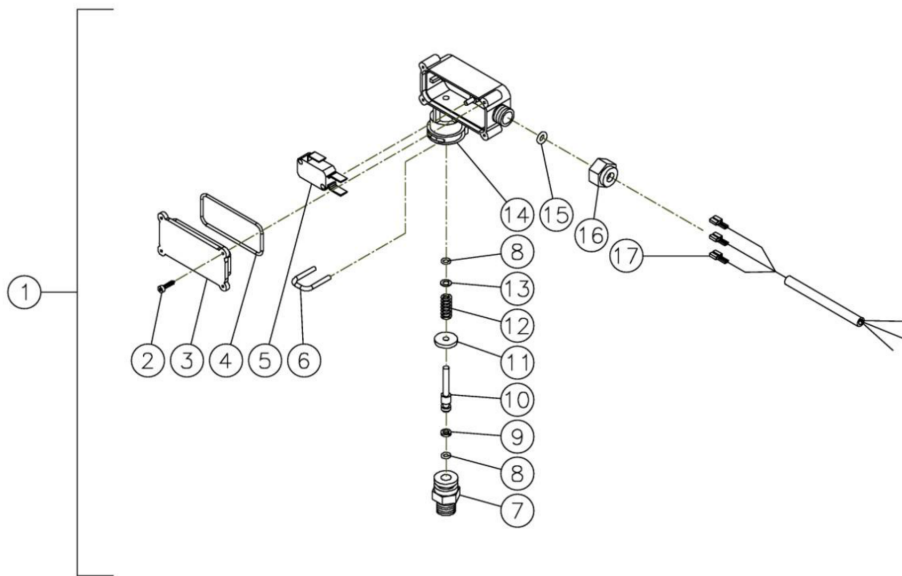


<b>Id</b>	<b>Item #</b>	<b>Description</b>	<b>Quantity</b>
1	8-0362	HEX NUT	2
2	7-0098	COVER	1
3	27-4280	SET SCREW	1
4	8-0363	ADJUSTING INSERT- BRASS	1
5	8-0364	ADJUSTMENT NUT	1
6	8-0365	SET SCREW	1
7	8-0366	GLIDE RING	1
8	49-0104	SPRING	1
9	8-0367	HEX NUT	1
10	8-0368	BUSHING	1
11	8-0369	UNLOADER BODY	1
12	8-0269	RETAINER	1
13	8-0104	VALVE HOUSING	1
14	49-0023	SPRING	1
15	8-0105	VALVE	1
16	25-0036	O-RING	1
17	8-0372	CYLINDER PIN	1
18	70-0243	PISTON REPAIR KIT	1
19	8-0371	SPACER	1
20	8-0157	STOP NUT	1
21	29-0154	WASHER	2
	70-0244	CHECK VALVE REPAIR KIT (INCLUDES 13-16)	



HHS-3004-0E8A / HHS-3004-0E8A (sn:0-99999999)

## PRESSURE SWITCH



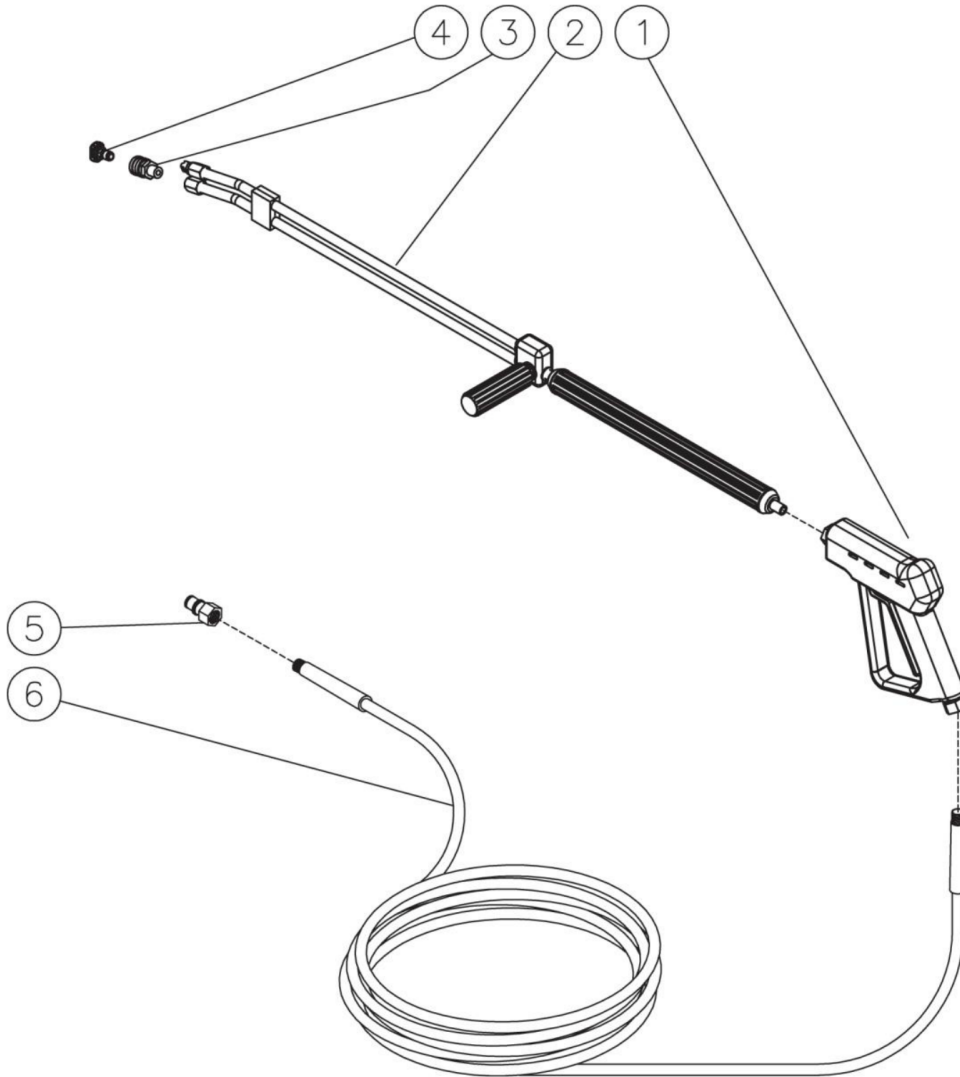
Id	Item #	Description	Quantity
1	22-0171	PRESSURE SWITCH	1
2	N/A	SCREW	4
3	N/A	COVER	1
4	N/A Sep.	O-RING (SEE 70-0306)	1
5	N/A	MICRO SWITCH	1
6	N/A	RETAINER CLIP	1
7	N/A	BODY	1
8	N/A Sep.	O-RING (SEE 70-0306)	2
9	N/A Sep.	BACK-UP RING (SEE 70-0306)	1
10	N/A	PISTON	1
11	N/A	WASHER	1
12	49-0144	SPRING	1
13	N/A	WASHER	1
14	N/A	PLASTIC HOUSING	1
15	N/A Sep.	O-RING (SEE 70-0306)	1
16	N/A	NUT	1

<b>Id</b>	<b>Item #</b>	<b>Description</b>	<b>Quantity</b>
17	N/A	WIRE ASSEMBLY	1
	70-0306	O-RING REPAIR KIT (INC. 4, 8-9, 15)	



HHS-3004-0E8A / HHS-3004-0E8A (sn:0-99999999)

## GUN/WAND/HOSE ASSEMBLY



Id	Item #	Description	Quantity
1	27-0066	BOLT	1
2	5-0152A18	BASEPLATE	1
3	27-0118	BOLT	4
4	27-8471	BOLT	4
5	29-0055	LOCKWASHER	4
6	28-0023	FLATWASHER	9
7	5-0153A18	PUMP HAT	1

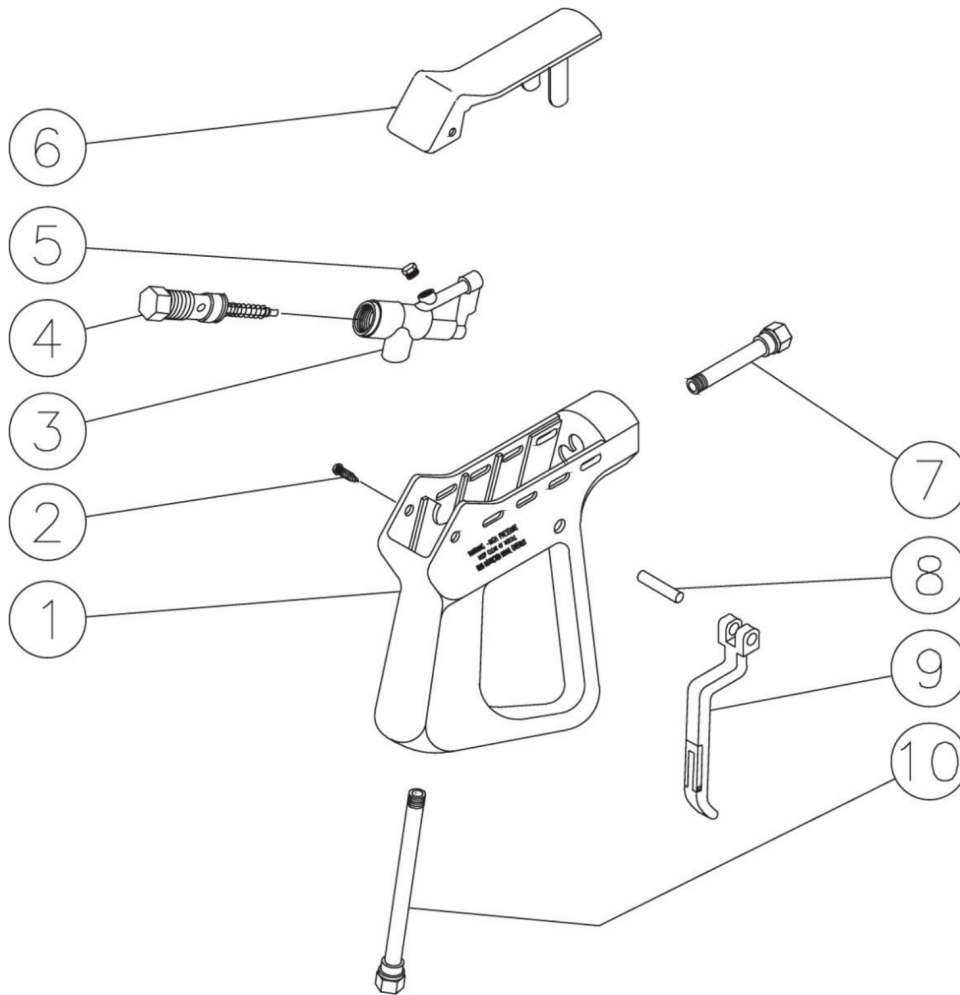
<b>Id</b>	<b>Item #</b>	<b>Description</b>	<b>Quantity</b>
8	30-6025	CLIP NUT	2
9	27-0133	BOLT	2
10	30-0006	HEX NUT	2
11	30-0159	NUT	4
12	3-0005	PUMP W/KEY	1
13	22-0005	HEAT DUMP VALVE	1
14	43-0048	KEY	1
15	10-0066	SHEAVE	1
16	11-0023	BELT	1
17	9-0017	BUSHING	1
18	27-0015	BOLT W/BUSHING	2
19	10-0111	SHEAVE	1
20	27-0067	BOLT	4
21	28-0003	FLATWASHER	4
22	30-0157	NYLOCK	4
23	43-0078	KEY	1
24	2-0120	MOTOR ASSEMBLY	1
25	32-0254	CONDUIT ELBOW	2
26	32-0253	CONDUIT FLEX *(THREE FEET REQUIRED)`	2
27	28-0051	FLATWASHER	2
28	32-0108	LOCKNUT	1
29	24-0002	NIPPLE	1
30	24-0037	SWIVEL	1
31	22-0171	PRESSURE SWITCH	1
32	15-0221	HIGH PRESSURE HOSE ASSEMBLY	1
33	23-0370	NIPPLE	1
34	850-0252	UNLOADER ASSEMBLY	1
35	24-0092	ELBOW	1
36	23-0360	HOSE BARB	4
37	15-0200	HOSE *(THREE FEET REQUIRED)	1
38	23-0389	ELBOW	1
39	23-0361	NIPPLE	1
40	23-0388	STREET TEE	1
41	23-0051	HOSE BARB	1
42	42-0004	CLAMP	1
43	15-0021	DETERGENT HOSE *(THREE FEET REQUIRED)	1

\*MUST ORDER IN ONE FOOT LENGTHS.



HHS-3004-0E8A / HHS-3004-0E8A (sn:0-99999999)

## GUN ASSEMBLY



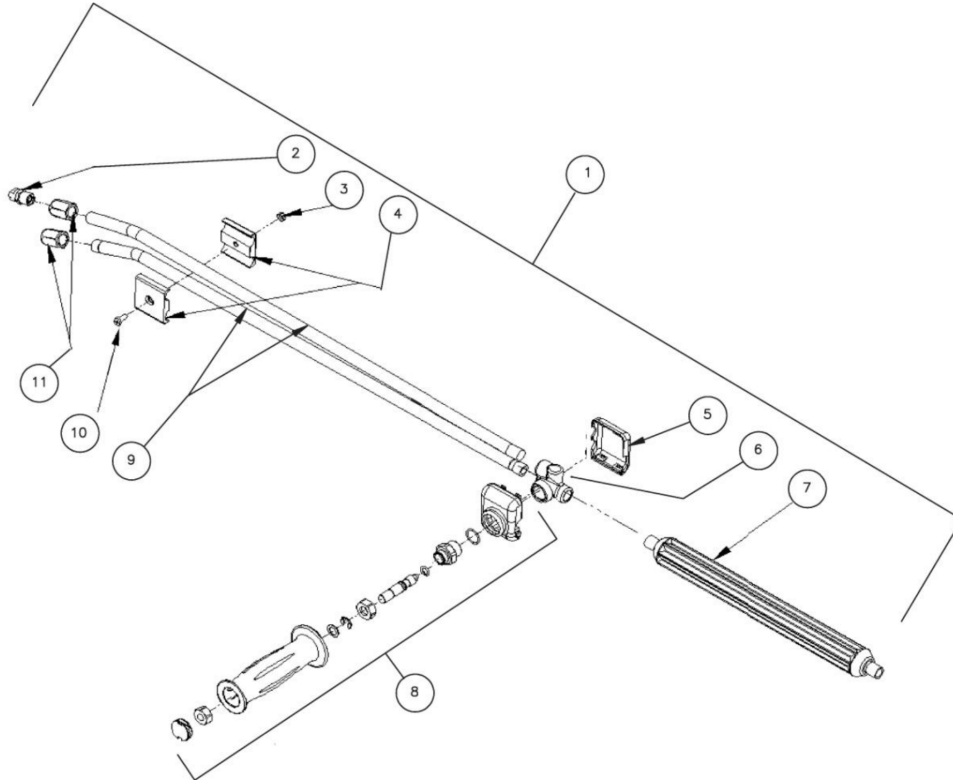
Id	Item #	Description	Quantity
1	16-0008	PLASTIC HOUSING	1
2	27-3230	SCREW	2
3	16-0012	BRASS HOUSING	1
4	70-0055	GUN REPAIR KIT	1
5	39-0024	BRASS PLUG	1
6	16-0009	PLASTIC COVER	1
7	16-0013	PIPE ASSEMBLY	1
8	16-0063	TRIGGER PIN	1
9	16-0010	TRIGGER/SAFETY LOCK-OFF	1

<b>Id</b>	<b>Item #</b>	<b>Description</b>	<b>Quantity</b>
10	16-0016	PIPE ASSEMBLY- INLET	1
	16-0001	COMPLETE GUN ASSEMBLY	1



HHS-3004-0E8A / HHS-3004-0E8A (sn:0-99999999)

## DUAL LANCE ASSEMBLY



Id	Item #	Description	Quantity
1	16-0416	DUAL LANCE ASSEMBLY - 36" (INC. 2-11)	1
1	16-0417	DUAL LANCE ASSEMBLY - 48" (INC. 2-11)	1
2	18-0110	DETERGENT NOZZLE	1
3	30-6001	NUT	1
4	16-0420	CLAMP	2
5	N/A Sep.	LOWER VALVE COVER (SEE 16-0416 OR 16-0417)	1
6	N/A Sep.	HOUSING (SEE 16-0416 OR 16-0417)	1
7	16-0419	LANCE	1
8	70-0419	HANDLE REPAIR KIT	1
9	N/A Sep.	LANCE (SEE 16-0416)	2
9	N/A Sep.	LANCE (SEE 16-0417)	2
10	27-8196	SCREW	1

<b>Id</b>	<b>Item #</b>	<b>Description</b>	<b>Quantity</b>
11	24-0280	NOZZLE ADAPTER	2