

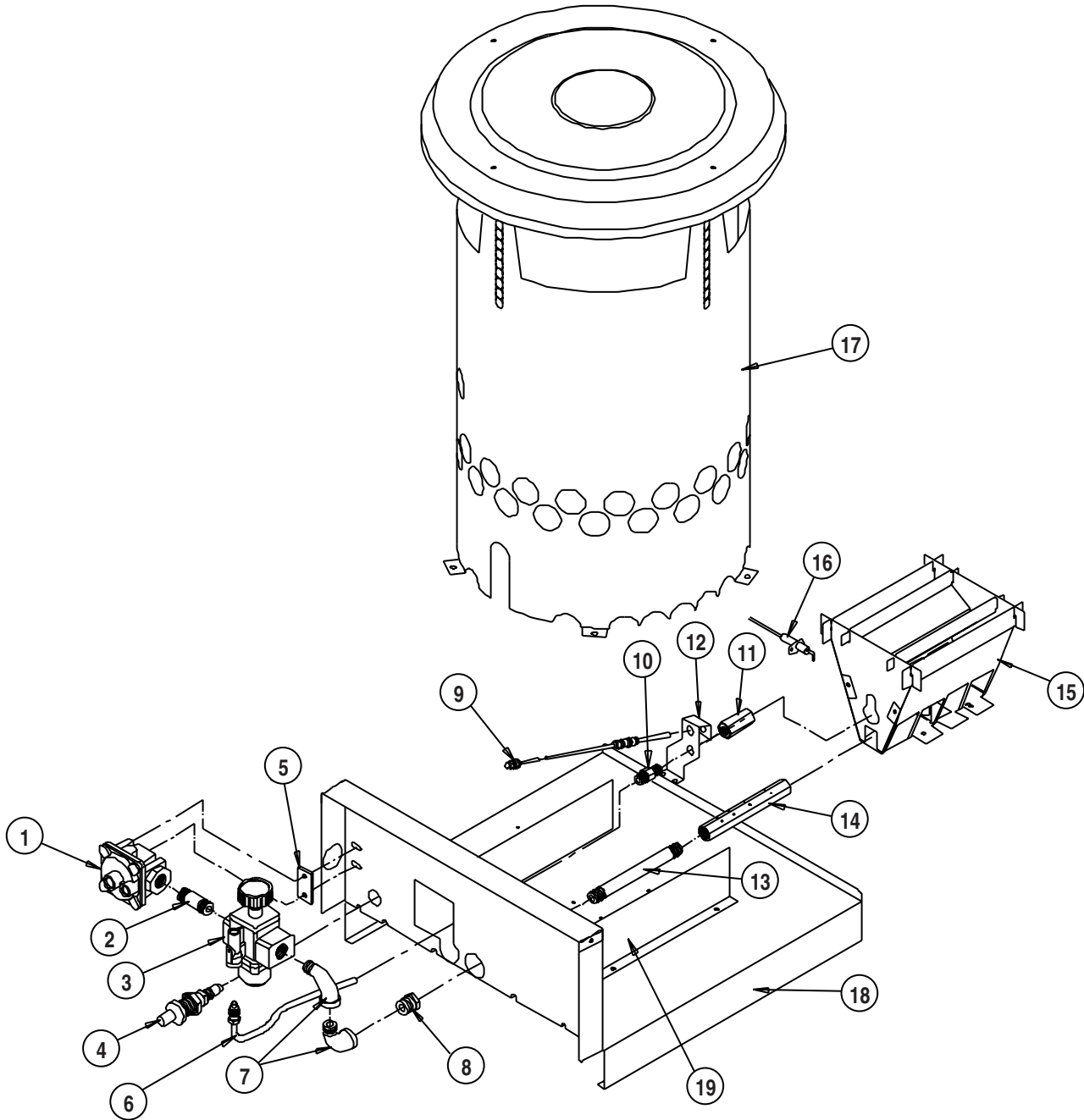


***WORKMAN &  
NORSEMAN***

***Convection Heaters***

# Convection Heaters

## MODEL CV100 LOW PRESSURE NATURAL GAS



# Convection Heaters

## PARTS IDENTIFICATION

---

<b>Item</b>	<b>Description</b>	<b>Model CV100A Low Pressure Natural Gas</b>
1	Regulator, Natural Gas	130-22251
2	Nipple 3/8 in. x 1 1/2 in.	130-02421
3	Valve, Pilot Safety Control	130-22250
4	Igniter w/Nut	120-20280
5	Spacer	230-22298
6	Tube, Pilot w/Nuts and Sleeves	500-22330
7	Ell, 3/8 in.	130-01175
8	Bushing	130-01544
9	Thermocouple	130-03555
10	Orifice, Pilot	310-22260
11	Head, Pilot	400-22258
12	Bracket	225-22257
13	Nipple, 5 in.	F130-80854
14	Orifice, Burner	310-22252
15	Burner, Assembly w/Electrode	400-22244
16	Electrode	120-20184
17	Barrel, Case, w/Top	400-22253
18	Base, Case, w/Labels	500-22329
19	Shield	225-22297
20	Case Assembly, w/Labels (Consisting of Items 17, 18 and 19)	500-22334