

Earthquake

Operator's Manual
Original Operating
Instructions
**Chainsaw
CS4518B**



⚠ WARNING

BEFORE USING OUR PRODUCTS, READ THIS MANUAL CAREFULLY TO UNDERSTAND THE PROPER USE OF YOUR UNIT.

P/N: 14248
ECN: 9878
REV2: 08/20/13
© 2013 Ardisam, Inc.
All Rights Reserved

CHAINSAW PARTS BREAKDOWN

FIGURE 1

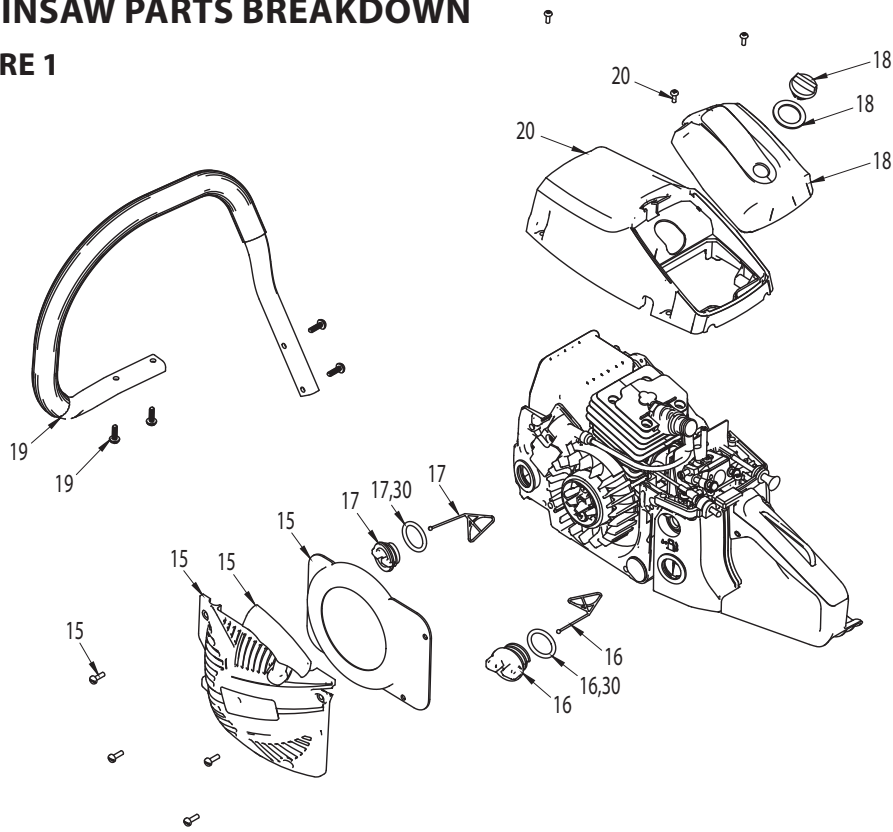


FIGURE 2

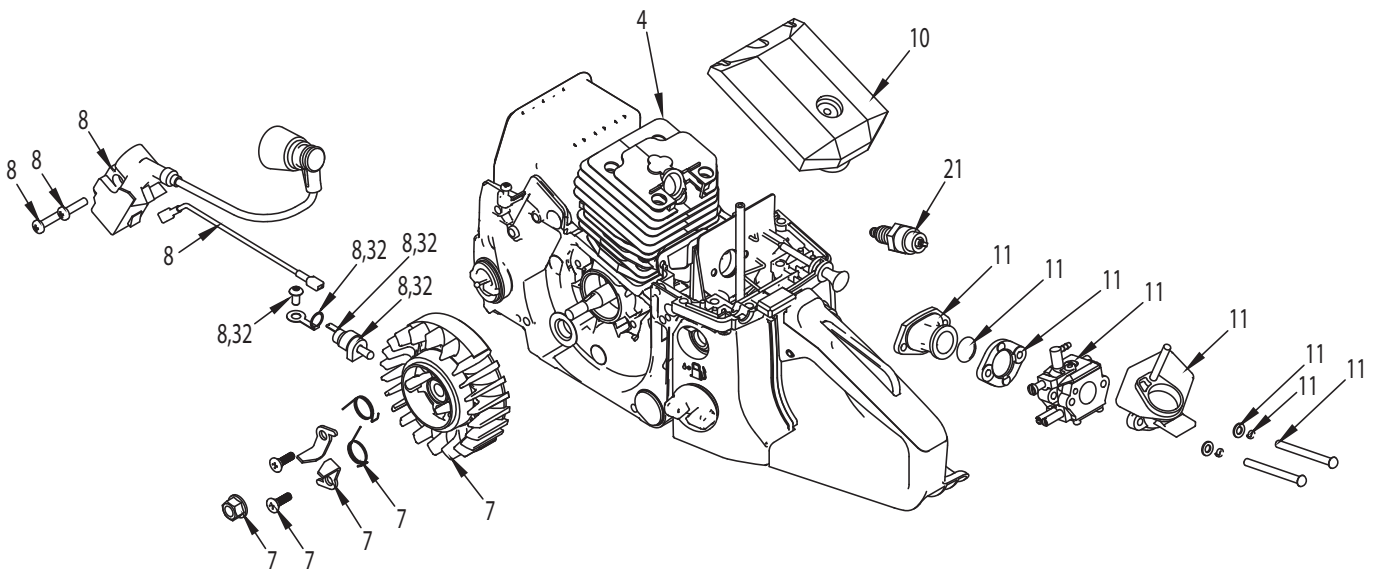


FIGURE 3

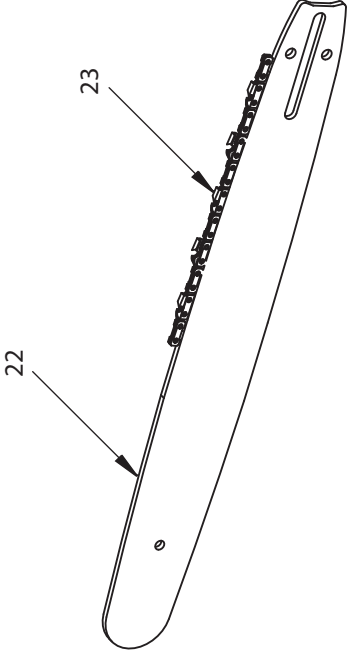
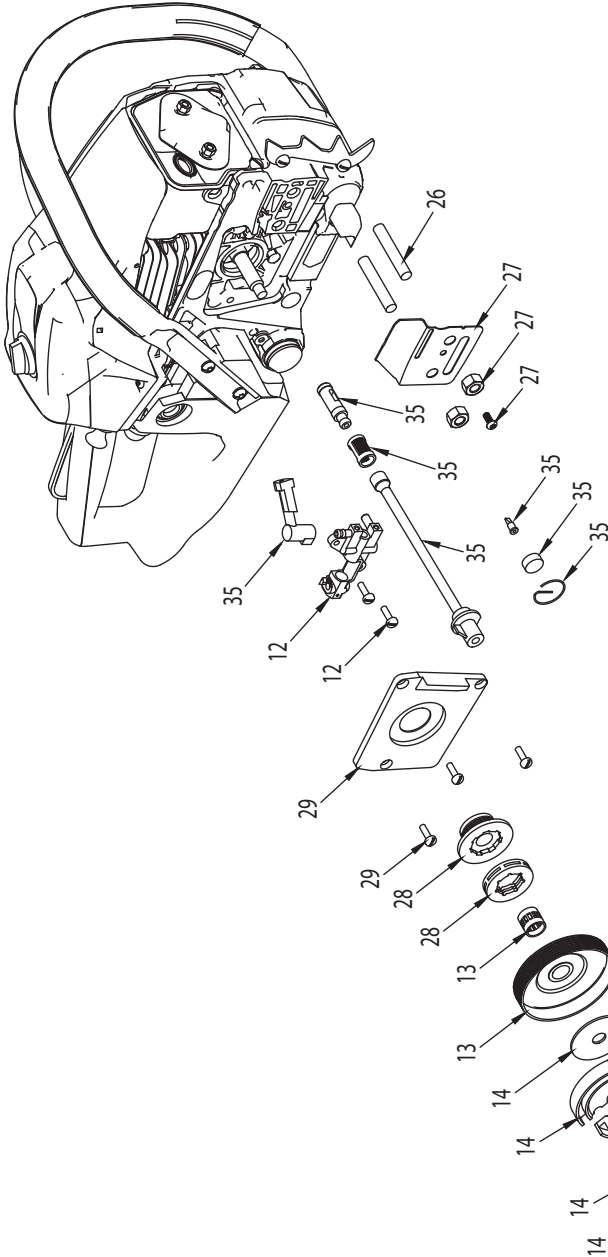


FIGURE 4

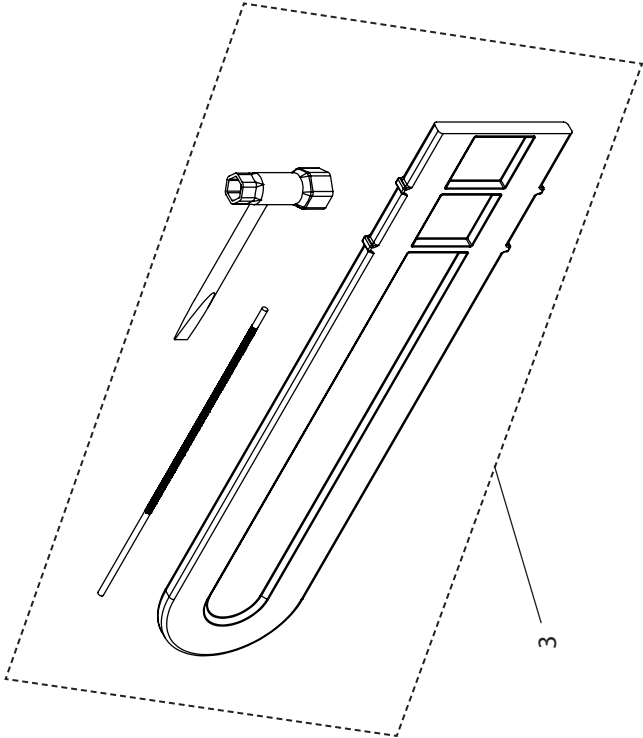


FIGURE 5

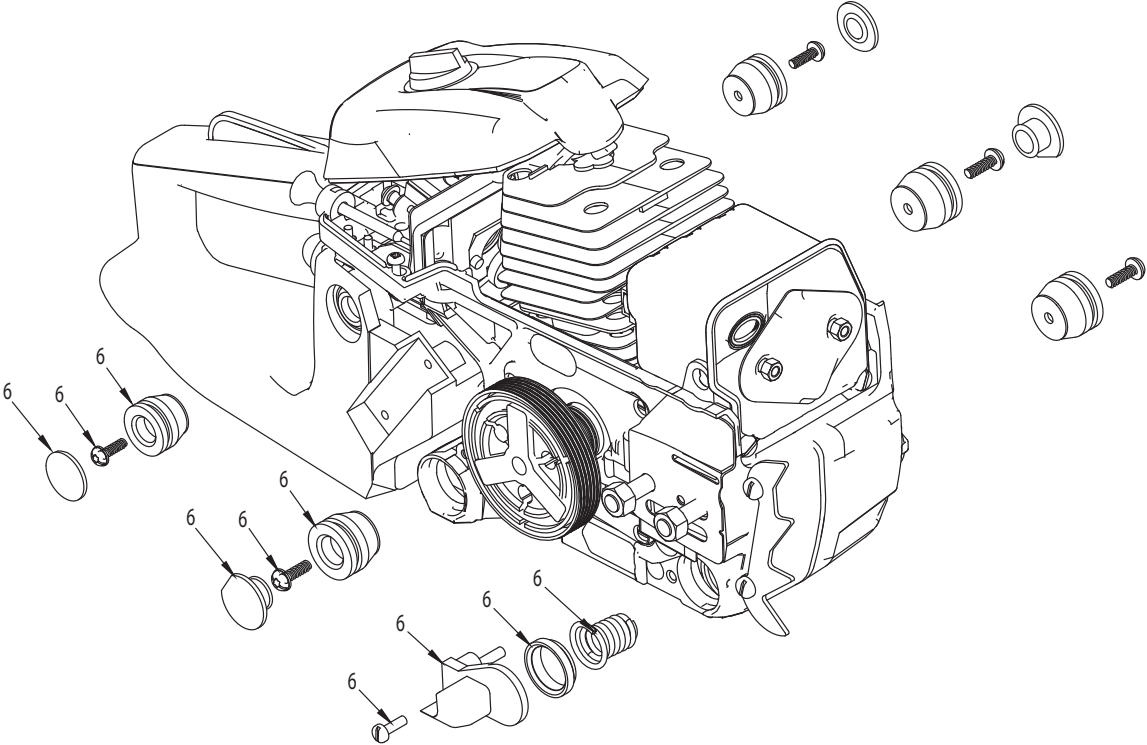


FIGURE 6

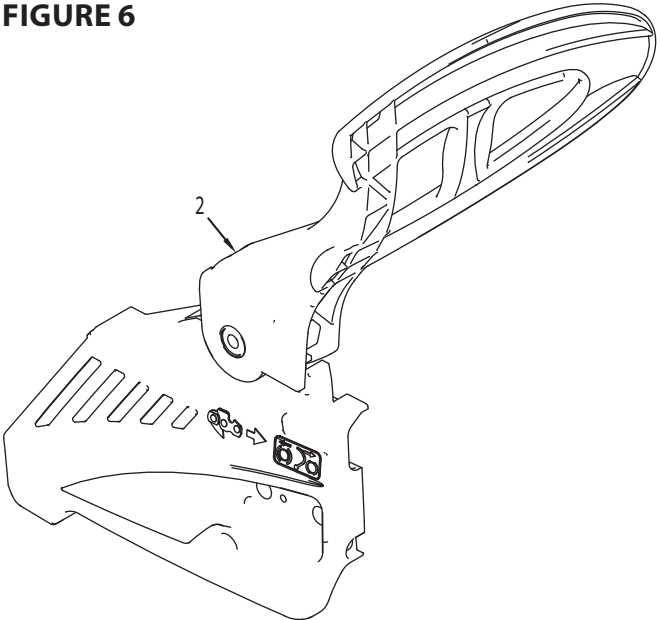


FIGURE 7

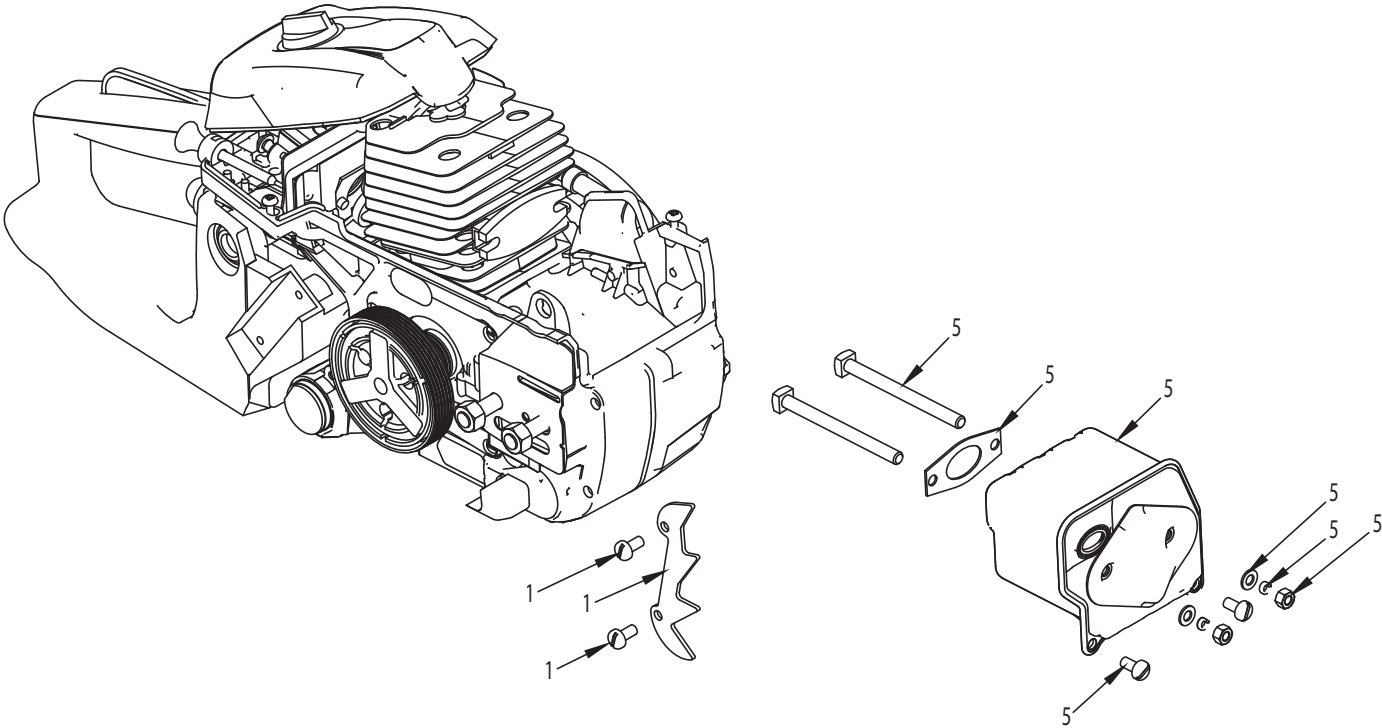
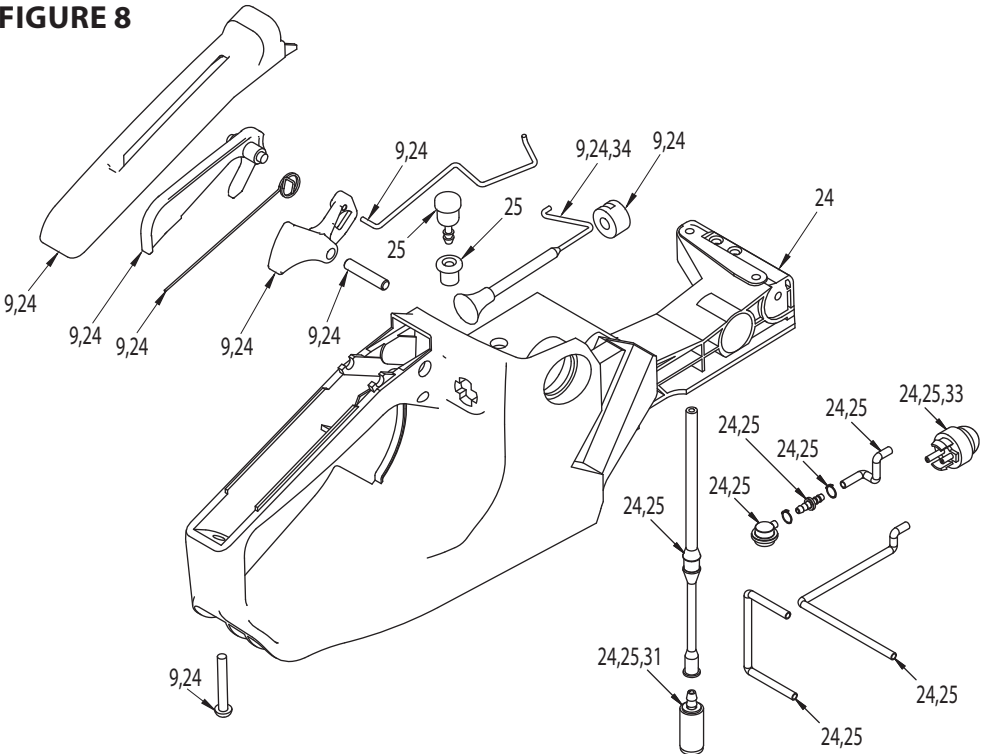


FIGURE 8



CHAINSAW PARTS BREAKDOWN - PARTS LIST*

KEY #	PART #	DESCRIPTION	QTY.
1	14203	KIT BUCKING SPIKE	1
2	13507	ASSEMBLY CLUTCH COVER	1
3	14204	KIT CS4518 ACCESSORY PACK	1
4	-	SHORT BLOCK 45CC CHAINSAW W/CHASSIS	1
5	14206	KIT MUFFLER COMPLETE	1
6	14231	KIT VIBRATION DAMPENING COMPLETE	1
7	14232	KIT FLYWHEEL REPLACEMENT	1
8	14233	KIT COMPLETE ELECTRICAL	1
9	13541	KIT TRIGGER ASSEMBLY	1
10	845117	AIR FILTER	1
11	13539	KIT CARBURETOR REPLACEMENT	1
12	13538	KIT PUMP ADJUSTABLE OIL	1
13	13537	CLUTCH DRUM W/NEEDLE BEARING	1
14	13536	ASSEMBLY CLUTCH W/WASHER	1
15	13535	KIT RECOIL CHAINSAW	1
16	13534	ASSEMBLY FUEL CAP	1
17	13556	ASSEMBLY OIL CAP	1
18	13533	KIT AIR CLEANER COVER	1
19	13531	KIT FORWARD HANDLE	1
20	13532	ASSEMBLY CYLINDER SHROUD	1
21	35906	SPARK PLUG L8RFT, NGK BPMR7A, CHAMPION RCJ7Y	1
22	845122**	GUIDE BAR 18IN CHAINSAW	1
23	845125**	SAW CHAIN S62 18IN CHAINSAW	1
24	14257	KIT REPLACEMENT HANDLE AND TANK	1
25	16698	KIT FUEL LINES REPLACEMENT	1
26	14262	BAR STUDS	1
27	14263	KIT GUIDE BAR BASE	1
28	14264	KIT WORM GEAR WITH SHIM	1
29	14265	KIT OILER COVER PLATE	1
30	14266	KIT ENGINE GASKETS	1
31	FILTER	FILTER GAS TANK	1
32	14367	KIT ON OFF SWITCH ASSEMBLY	1
33	13522	PRIMER BULB	1
34	13475	CHOKE THROTTLE	1
35	15981	KIT OIL LINES REPLACEMENT	1

* For ordering information, contact customer service for availability.

** Oregon® bars and chains are sold at many retail stores. For your reference the corresponding part # for the bar is *180 SDE 095* and the part # for the chain is *91P062X*.