



ADVANTAGE PLUS Pellet Stove Owners Manual & Operating Instructions

THIS STOVE MUST BE PROPERLY INSTALLED AND OPERATED IN ORDER TO PREVENT THE POSSIBILITY OF A HOUSE FIRE. PLEASE READ THIS ENTIRE OWNER'S MANUAL BEFORE INSTALLING AND USING YOUR WHITFIELD PELLETT STOVE. FAILURE TO FOLLOW THESE INSTRUCTIONS COULD RESULT IN PROPERTY DAMAGE, BODILY INJURY OR EVEN DEATH. CONTACT YOUR LOCAL BUILDING OR FIRE OFFICIALS TO OBTAIN A PERMIT AND INFORMATION ON ANY INSTALLATION RESTRICTIONS AND INSPECTION REQUIREMENTS IN YOUR AREA.

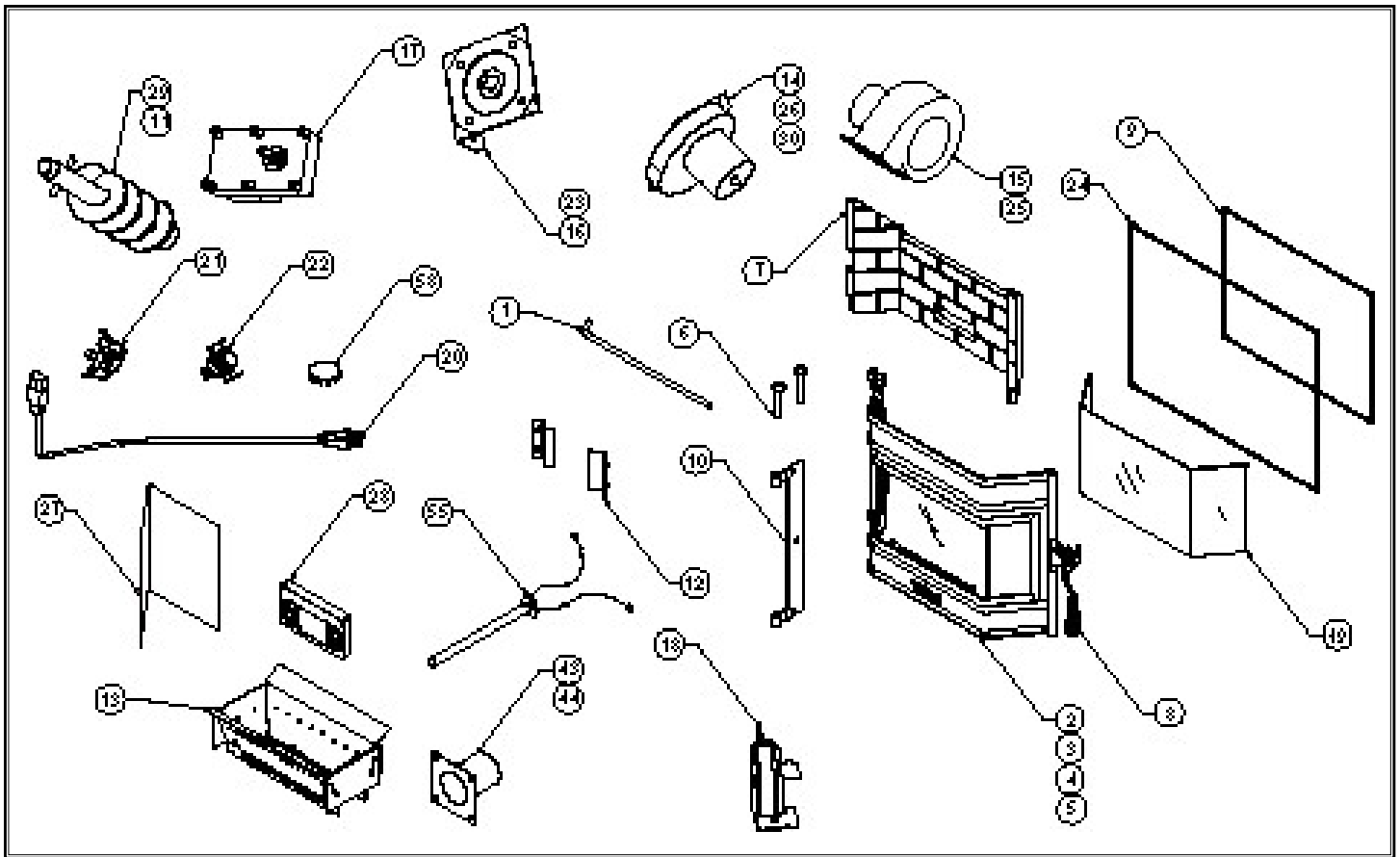
– SAVE THESE INSTRUCTIONS –

APPENDIX E

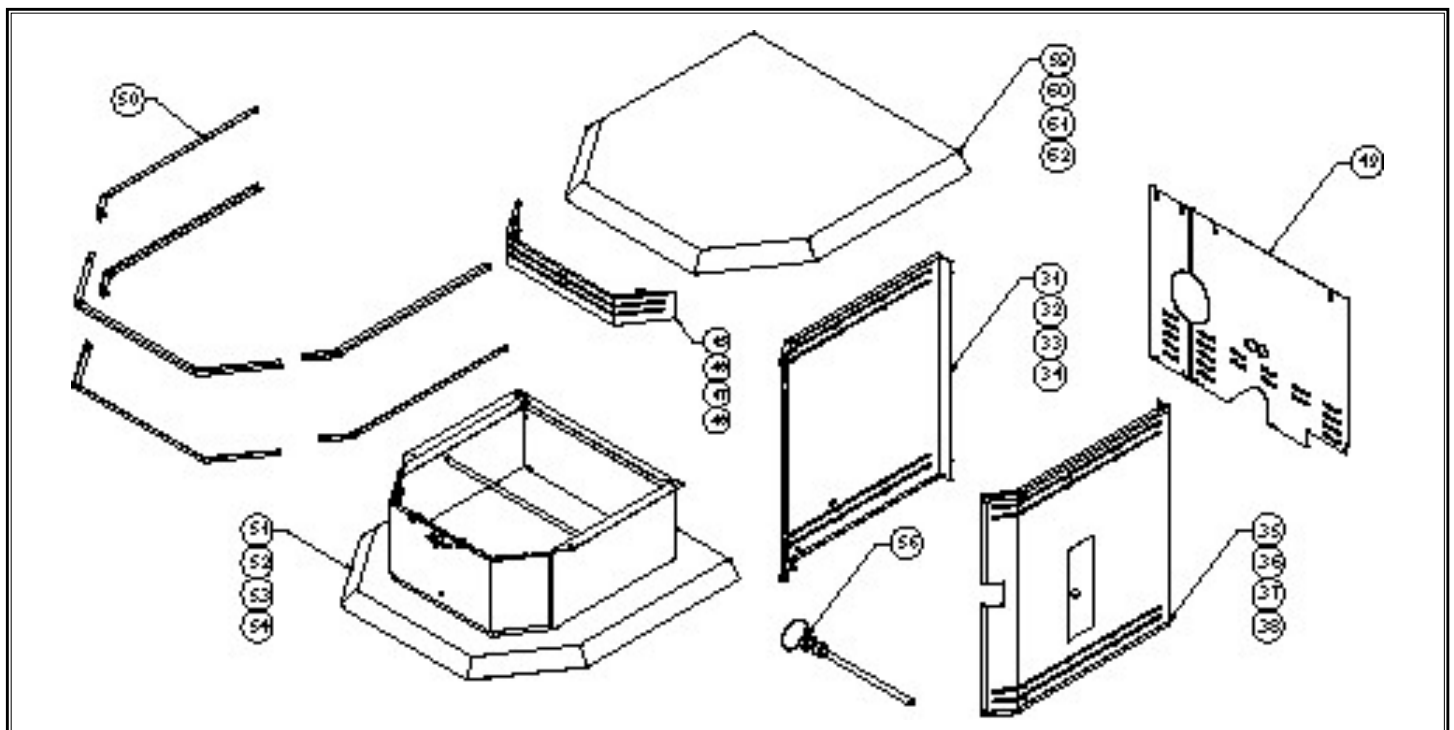
REPLACEMENT PARTS

<i>Common To Both Freestand & Insert</i>			<i>Freestand Only</i>		
1	#17150009	Scraper Rod	31	#11850447	Side Panel-LHS, (slate)
2	#11750400	Door Assembly (slate)	32	#11850147	Side Panel-LHS, (black)
3	#11750100	Door Assembly (black)	33	#11850347	Side Panel-LHS, (brown)
4	#11750300	Door Assembly (brown)	34	#11850547	Side Panel-LHS, (green)
5	#11750500	Door Assembly (green)	35	#11850448	Side Panel-RHS, (slate)
6	#11750123	Hinge Pins, gold (Set of 2)	36	#11850148	Side Panel-RHS, (black)
7	#11750015	Firebrick set	37	#11850348	Side Panel-RHS, (brown)
8	#11750003	Door Handle, gold	38	#11850548	Side Panel-RHS, (green)
	#12055912	Control Board (NOT SHOWN)	39	#11850446	Top Panel (slate)
9	#61057208	Glass Gasket (4')	40	#11850146	Top Panel (black)
10	#11750021	Hinge Bracket	41	#11850346	Top Panel (brown)
11	#11756300	Auger	42	#11850546	Top Panel (green)
12	#11750011	Brick Clips (2 clips)	43	#12050093	Quick Disconnect 3" Vent Side
13	#17150246	Ultragrate Replacement	44	#61050016	3" Quick Disconnect Gasket
14	#12050011	Combustion Blower	45	#11854151	Bottom Trim (slate)
15	#12146109	Convection Blower	46	#11851151	Bottom Trim (black)
16	#12153900	Auger, Flange	47	#11853151	Bottom Trim (brown)
17	#12046300	Auger Motor	48	#11855151	Bottom Trim (green)
	#12058811	Wiring Harness (NOT SHOWN)	49	#11850149	Rear Panel (black only)
18	#12145903	Pressure Switch	50	#11850158	Brass Trim Set
19	#12146402	Replacement Glass	51	#11855400	Pedestal W/Ashpan (slate)
20	#12058820	Molded end, Power Cord	52	#11855100	Pedestal W/Ashpan (black)
21	#12057601	Ceramic Snapswitch	53	#11855300	Pedestal W/Ashpan (brown)
22	#12147705	Snapswitch, 250 DG, 60T21	54	#11855500	Pedestal W/Ashpan (green)
23	#61050003	Auger End Plate Gasket	56	#11751305	Damper Rod Freestand
24	#61057100	1/2" Door Rope (7 ft.)			
25	#61057203	Common Convection fan Gasket			
26	#61050005	Comb. Fan Gasket			
27	#11720198	Manual			
28	#11720099	Video			
29	#12041300	Auger Collar & Screw set (3 pieces)			
30	#12050111	Combustion Fan (Motor Only) Kit			
55	#12140213	Igniter Replacement			

Common to Freestanding & Insert Stove Parts



Freestanding Stove Parts



APPENDIX E

REPLACEMENT PARTS

<i>Insert Only</i>					
	#11950068	Lid Supt. Kit (NOT SHOWN)	79	#11955451	Hearth Support Kit (Green)
57	#11950156	Accent Trim Kit	80	#11950126	Damper Rod (Insert)
58	#72050005	Hole Plug Kit			
59	#11951166	Top Panel (black)			
60	#11953166	Top Panel (brown)			
61	#11954166	Top Panel (slate)			
62	#11955166	Top Panel (green)			
63	#11951168	RHS Panel, (black)			
64	#11953168	RHS Panel, (brown)			
65	#11954168	RHS Panel, (slate)			
66	#11955168	RHS Panel, (green)			
67	#11951167	LHS Panel, (black)			
68	#11953167	LHS Panel, (brown)			
69	#11954167	LHS Panel, (slate)			
70	#11955167	LHS Panel, (green)			
71	#11950052	Upper Ash Pan			
72	#11951163	Lower Ash Pan Black (w/t trim)			
73	#11953163	Lower Ash Pan Brown (w/t trim)			
74	#11954163	Lower Ash Pan Slate (w/t trim)			
75	#11955163	Lower Ash Pan Green (w/t trim)			
	#11950055	Built-In Enclosure Kit (NOT SHOWN)			
76	#11955411	Hearth Support Kit (Black)			
77	#11955421	Hearth Support Kit (Brown)			
78	#11955441	Hearth Support Kit (Slate)			

For Replacement Parts Please consult your local Authorized Whitfield Dealer

Insert Stove Parts

