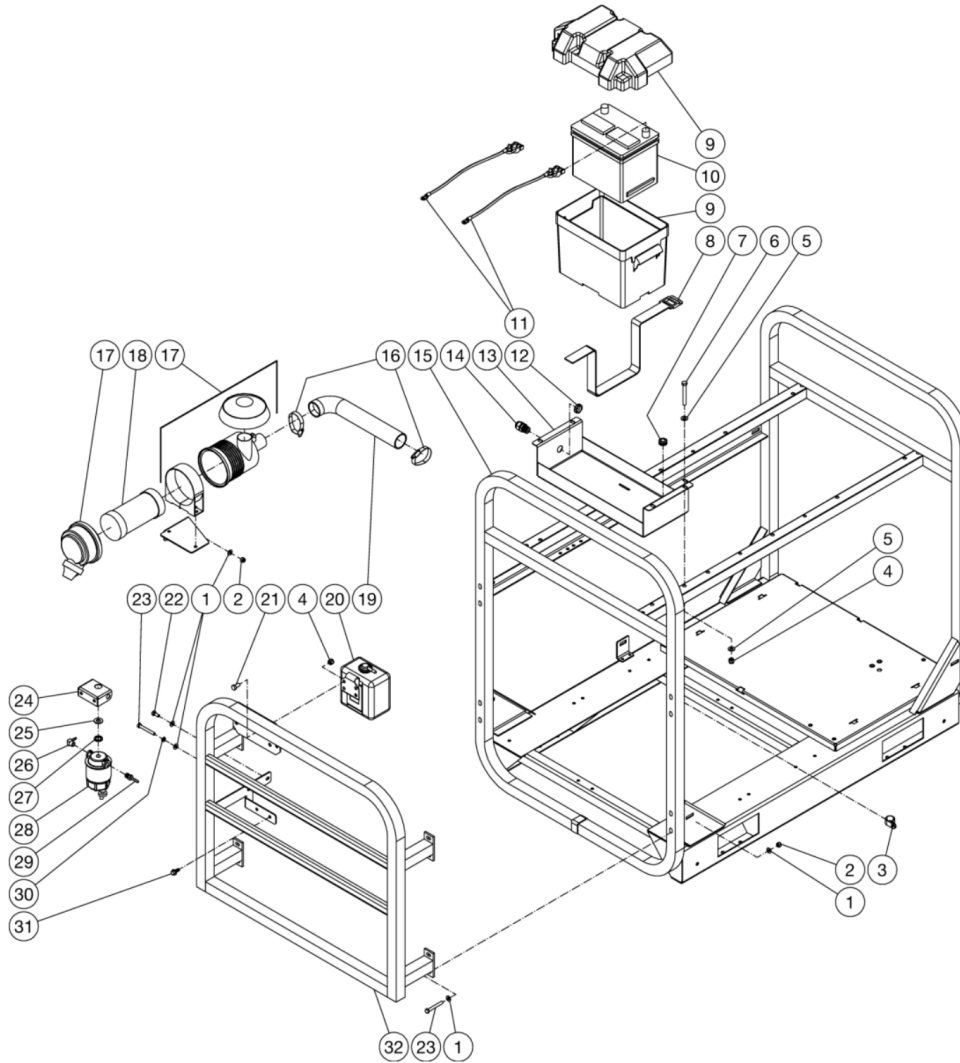




HDC-3505 / HDC-3505-0B7G (sn:0-99999999)

## FRAME ASSEMBLY



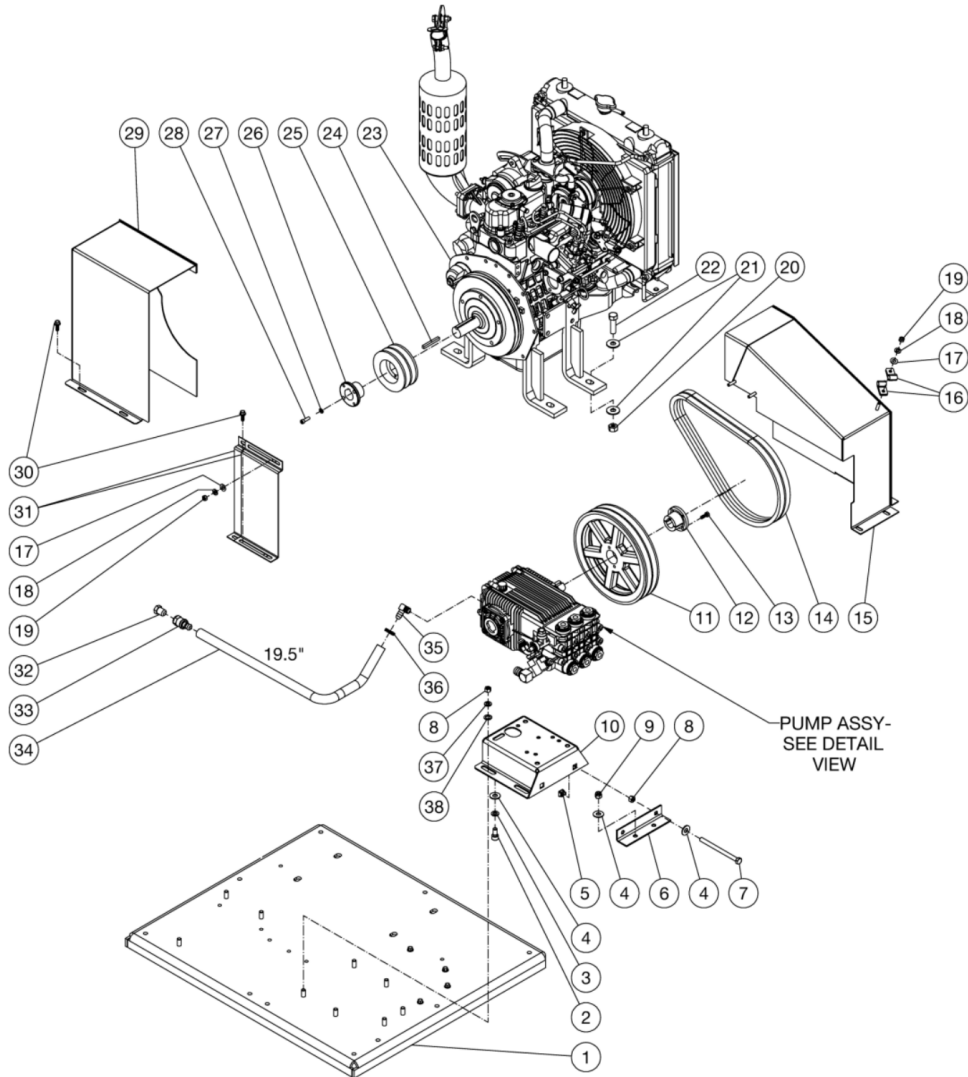
Id	Item #	Description	Quantity	Rev	Comments
1	28-0003	WASHER	20		
2	30-0157	LOCKNUT	10		
3	33-0291	CLIP	1		
4	30-0159	LOCKNUT (3006/3505/4005)	6		
4	30-0159	LOCKNUT (3008)	2		
5	28-0004	WASHER (3006/3505/4005)	8		
6	27-0576	BOLT (3006/3505/4005)	4		
7	33-0001	GROMMET (3006/3505/4005)	2		

<b>Id</b>	<b>Item #</b>	<b>Description</b>	<b>Quantity</b>	<b>Rev</b>	<b>Comments</b>
8	33-0089	STRAP (3006/3505/4005)	1		
9	33-0093	BATTERY BOX (3006/3505/4005)	1		
10	32-0059	BATTERY (HS MODELS)	1		
11	N/A	BATTERY CABLE (W/ ENGINE)	2		
12	32-0108	ELECTRICAL LOCKNUT (3006/3505/4005)	1		
13	20-0872A18	BATTERY BOX (3006/3505/4005)	1		
14	32-0437	STRAIN RELIEF (3006/3505/4005)	1		
15	5-0313A18	FRAME	1		
16	42-0027	HOSE CLAMP	2		
17	N/A	AIR CLEANER HOUSING	1		
18	45-0122	AIR FILTER	1		
19	15-0262	HOSE	1		
20	45-0121	RADIATOR OVER FLOW W/ ENGINE	1		
21	27-0116	BOLT	2		
22	27-0066	BOLT	1		
23	27-0073	BOLT	9		
24	20-0873A18	FUEL FILTER BRACKET	1		
25	28-0006	WASHER	1		
26	23-0054	ELBOW	1		
27	26-0001	GARDEN HOSE GASKET	1		
28	19-0070	FUEL FILTER / WATER SEPERATOR	1		
29	23-0051	BARB	1		
30	29-0007	LOCKWASHER	1		
31	27-1202	BOLT	2		
32	5-0276A18	FRAME EXTENSION (3006/3505/4005)	1		
32	5-0311A18	KUBOTA 23HP FRAME EXTENSION (3008)	1		



HDC-3505 / HDC-3505-0B7G (sn:0-99999999)

## ISOLATION PLATE



Id	Item #	Description	Quantity	Rev	Comments
1	5-0257A18	ISOLATION PLATE	1		
2	27-8471	BOLT	4		
3	29-0055	LOCKWASHER	4		
4	28-0023	WASHER	8		
5	30-6025	CLIP NUT	2		
6	20-0584A18	TENSION BRACKET	1		
7	27-0133	BOLT	2		

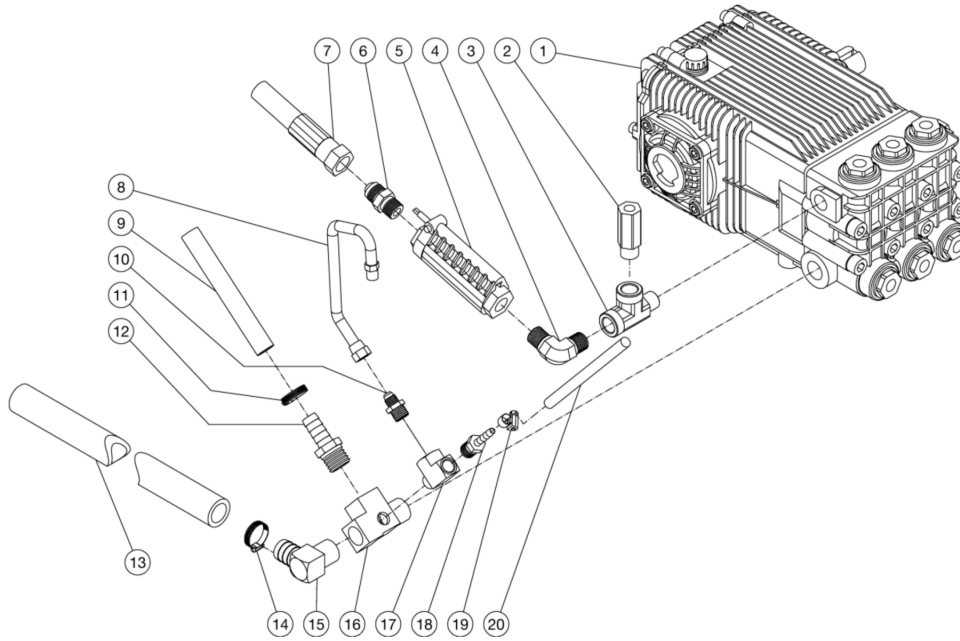
Id	Item #	Description	Quantity	Rev	Comments
8	30-0006	NUT	6		
9	30-0159	LOCKNUT	2		
10	5-0262A18	PUMP HAT	1		
11	10-0037	SHEAVE	1		
12	9-0017	BUSHING	1		
13	27-0015	BOLT	2		
14	11-0101	BELT	2		
15	6-0120A18	PUMP BELTGUARD	1		
16	43-0003	CLIP	2		
17	28-0003	WASHER	3		
18	29-0007	LOCKWASHER	3		
19	30-0002	NUT	3		
20	30-0163	NUT	4		
21	27-0219	BOLT	4		
22	28-0024	WASHER	8		
23	850-0358	ENGINE	1		
24	43-0078	KEY	1		
25	10-0125	SHEAVE	1		
26	9-0010	BUSHING	1		
27	29-0006	LOCKWASHER	2		
28	27-0771	BOLT	2		
29	6-0123A18	BELTGUARD	1		
30	27-1200	BOLT	8		
31	6-0122A18	BELTGUARD COVER	2		
32	23-0411	PLUG	1		
33	23-0360	HOSE BARB	1		
34	15-0007	HOSE *(TWO FEET REQUIRED)	1		
35	23-0119	ELBOW	1		
36	42-0011	HOSE CLAMP	1		
37	29-0008	LOCKWASHER	4		
38	28-0030	WASHER	4		

\*MUST ORDER IN ONE FOOT LENGTHS



HDC-3505 / HDC-3505-0B7G (sn:0-99999999)

## PUMP PLUMBING



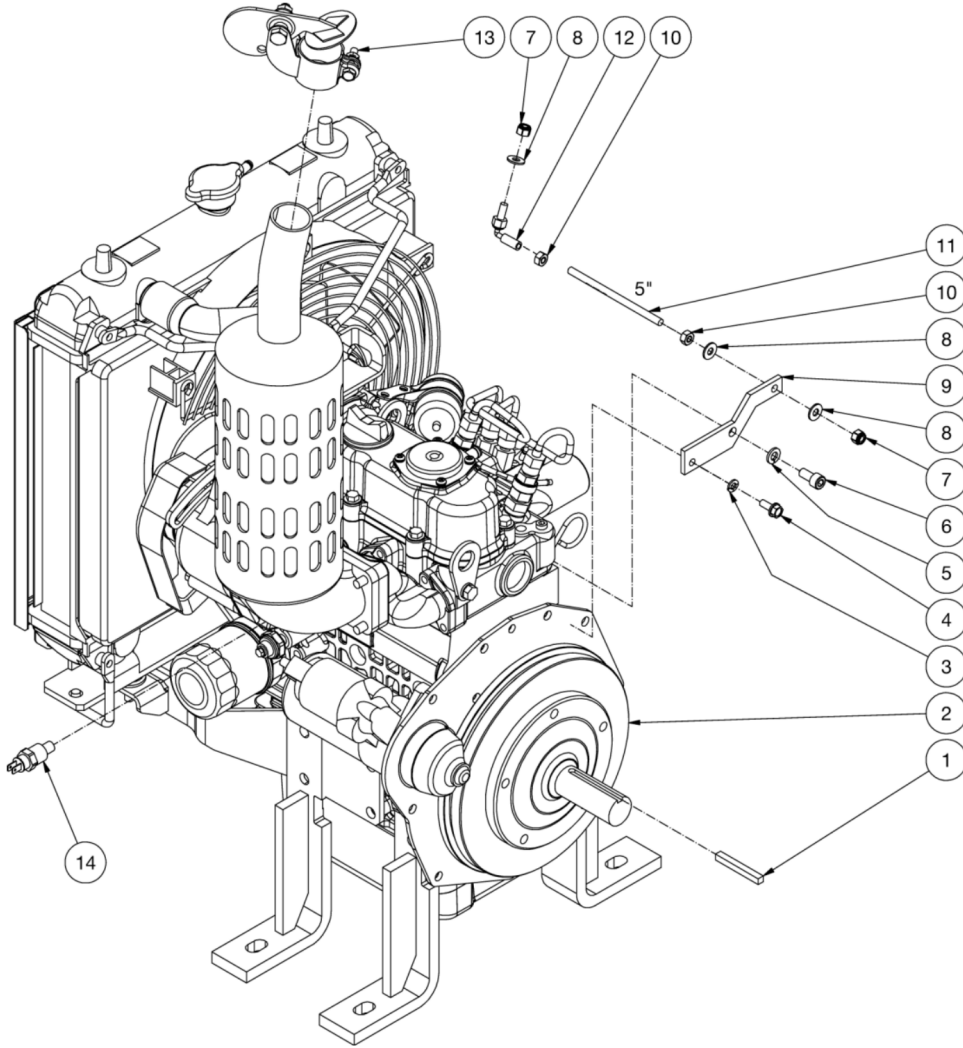
Id	Item #	Description	Quantity	Rev	Comments
1	3-0213	PUMP (4004)	1		
1	3-0202	PUMP (3005/3505)	1		
2	22-0242	EASY START VALVE (4004)	1		
3	23-0058	STREET TEE (4004)	1		
4	24-0131	ELBOW	1		
5	22-0428	FLOW SWITCH	1		
6	24-0002	NIPPLE	1		
7	15-0221	HIGH PRESSURE HOSE ASSEMBLY	1		
8	15-0140	EASY START HOSE (4004)	1		
9	15-0007	HOSE *(THREE FEET REQUIRED)	1		
10	23-0247	NIPPLE (4004)	1		
11	42-0011	HOSE CLAMP	1		
12	23-0045	BARB	1		
13	15-0033	HOSE *(THREE FEET REQUIRED)	1		
14	42-0003	HOSE CLAMP	1		
15	23-0037	ELBOW	1		

<b>Id</b>	<b>Item #</b>	<b>Description</b>	<b>Quantity</b>	<b>Rev</b>	<b>Comments</b>
16	23-0388	STREET TEE	1		
17	23-0127	TEE (4004)	1		
18	23-0051	BARB	1		
19	42-0004	CLAMP WORM	1		
20	15-0079	HOSE *(TWO FEET REQUIRED)	1		
		*MUST ORDER IN ONE FOOT LENGTHS			



HDC-3505 / HDC-3505-0B7G (sn:0-99999999)

## ENGINE ASSEMBLY



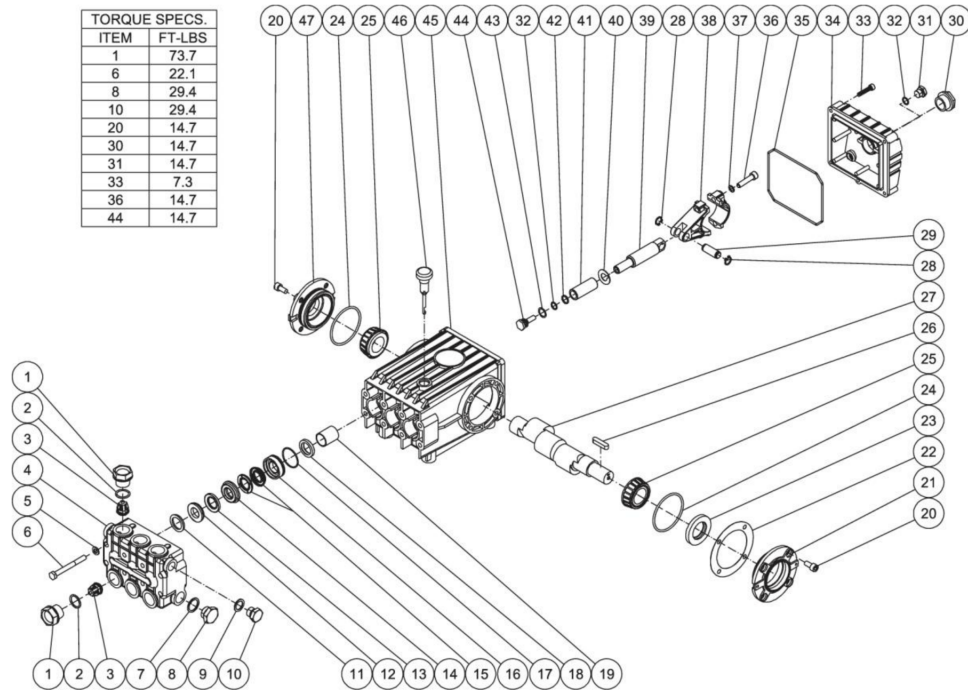
Id	Item #	Description	Quantity	Rev	Comments
1	43-0078	KEY	1		
2	1-0163	KUBOTA DIESEL ENGINE	1		
3	29-0006	LOCKWASHER	1		
4	27-8001	BOLT	1		
5	29-0007	LOCKWASHER	1		
6	27-8884	BOLT	1		
7	30-0155	LOCKNUT	2		
8	28-0002	WASHER	3		

<b>Id</b>	<b>Item #</b>	<b>Description</b>	<b>Quantity</b>	<b>Rev</b>	<b>Comments</b>
9	13-0177A18	THROTTLE PLATE	1		
10	30-0002	HEX NUT	2		
11	54-0046	THREADED ROD *(ONE FOOT REQUIRED)	1		
12	33-0440	BALL JOINT LINKAGE	1		
13	33-0441	MUFFLER RAIN CAP	1		
14	45-0408	ENGINE TEMP SWITCH	1		
		*MUST ORDER IN ONE FOOT LENGTHS			



- HDC-3505 / HDC-3505-0B7G (sn:0-99999999)

## PUMP ASSEMBLY



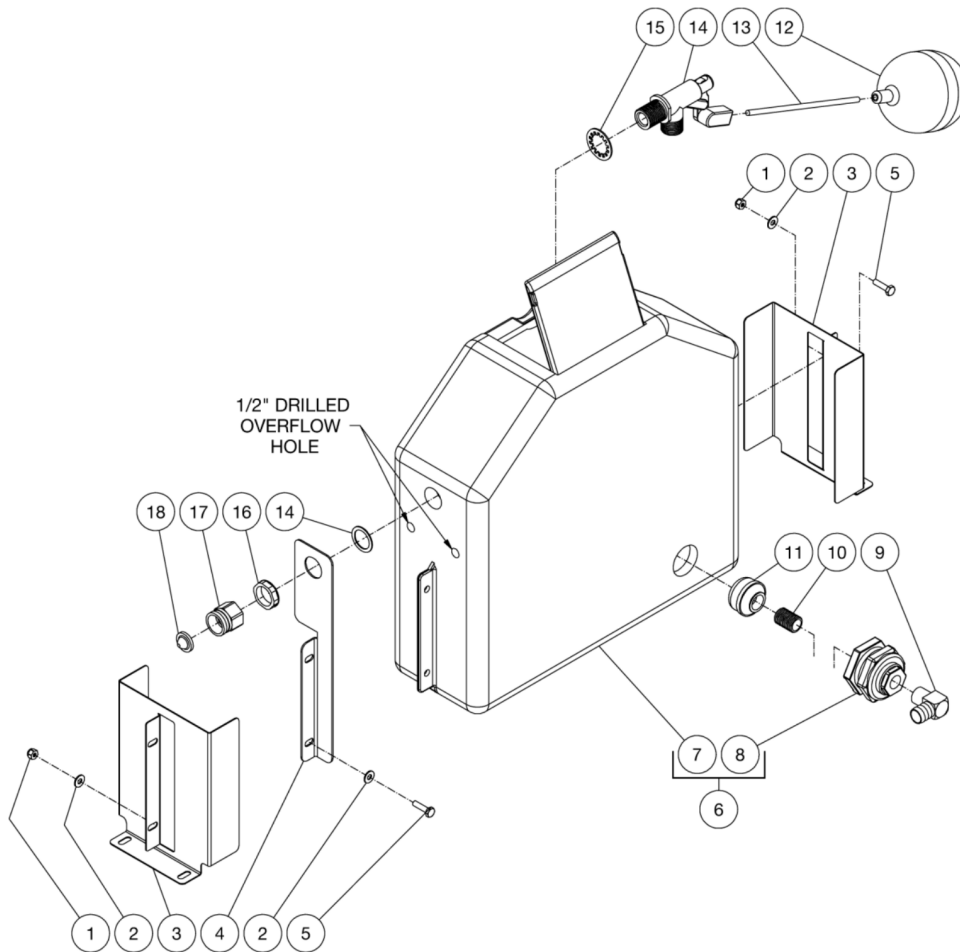
Id	Item #	Description	Quantity	Rev	Comments
1	46-0889	VALVE CAP	6		
2	25-0012	O-RING	6		
3	22-0056	VALVE (SEE KIT 70-0009)	6		
4	46-0890	MANIFOLD	1		
5	28-1039	WASHER	8		
6	27-8185	BOLT	8		
7	28-1038	WASHER	2		
8	39-0019	PLUG	2		
9	28-1002	WASHER	2		
10	39-0018	PLUG	2		
11	70-0030	HEAD RING (SEE KIT 70-0030 AND 852-0122)	3		
12	26-0098	V-PACKING SUPPORT (SEE KIT 70-0147 AND 852-0122)	3		
13	25-0207	O-RING (SEE KIT 70-0147 AND 70-0148 AND 852-0122)	3		
14	46-0659	HIGH PRESSURE INTERMEDIATE SEAL RETAINER (SEE KIT 70-0148)	3		
15	26-0197	PRESSURE SEAL (SEE KIT 70-0147 AND 852-0122)	3		

<b>Id</b>	<b>Item #</b>	<b>Description</b>	<b>Quantity</b>	<b>Rev</b>	<b>Comments</b>
16	46-0057	LOW PRESSURE SEAL RETAINER	3		
17	25-0015	O-RING (SEE KIT 852-0122)	3		
18	26-0047	OIL SEAL	3		
19	9-0029	BUSHING	3		
20	27-8431	BOLT	8		
21	46-0296	CRANKCASE COVER	1		
22	46-0113	SHIM	1		
23	26-0049	OIL SEAL	1		
24	25-0013	O-RING	2		
25	48-0012	BEARING	2		
26	43-0048	KEY	1		
27	46-0050	CRANKSHAFT	1		
28	46-0103	RETAINING RING	6		
29	43-0032	CONNECTING ROD PIN	3		
30	46-0114	OIL LEVEL INDICATOR	1		
31	39-0017	PLUG	1		
32	25-0014	O-RING	4		
33	27-8404	BOLT	5		
34	46-0295	CRANKCASE OPEN COVER	1		
35	25-0339	O-RING	1		
36	27-8435	BOLT	6		
37	29-0154	LOCKWASHER	6		
38	46-0051	CONNECTING ROD	3		
39	46-0056	PISTON ROD	3		
40	46-0146	SLINGER WASHER	3		
41	46-0052	PLUNGER	3		
42	46-0109	BACK-UP RING	3		
43	28-0400	WASHER	3		
44	46-0069	NUT / PISTON	3		
45	46-0047	CRANKCASE	1		
46	46-0144	OIL DIP STICK	1		
47	46-0336	CRANKCASE COVER	1		
KIT	70-0009	VALVES (INC. 6 EACH 3)			
KIT	70-0030	HEAD RING (INC. 3 EACH 11)			
KIT	70-0147	V-PACKING (INC. 3 EACH 12, 13, 15)			
KIT	70-0148	INTERMEDIATE RETAINER (INC. 3 EACH 13, 14)			
KIT	852-0122	V-PACKING ASSY (INC. 3 EACH 11-13, 15, 17)			



HDC-3505 / HDC-3505-0B7G (sn:0-99999999)

## FLOAT TANK ASSEMBLY



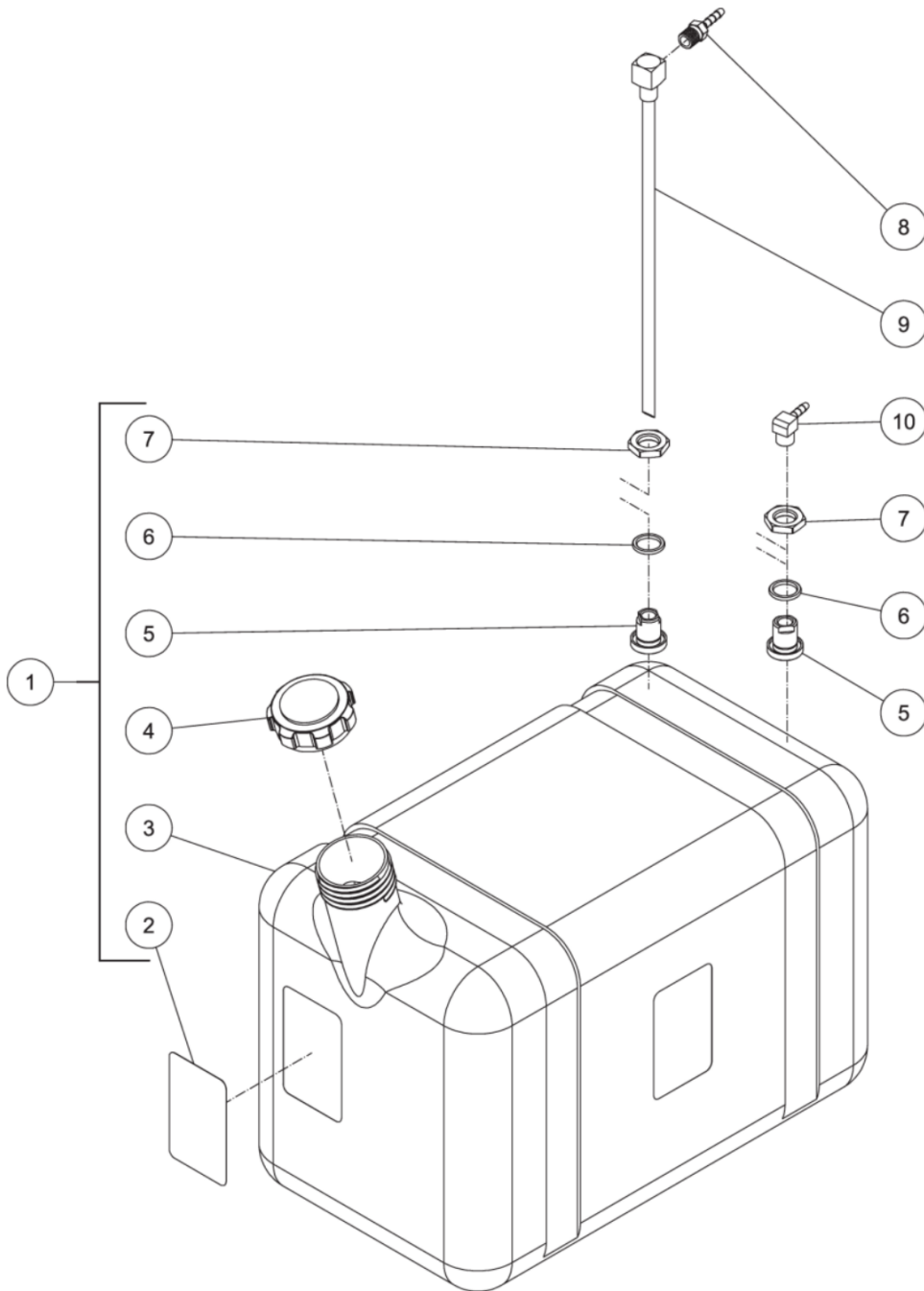
Id	Item #	Description	Quantity	Rev	Comments
1	30-0155	LOCKNUT	4		
2	28-0002	WASHER	6		
3	20-0586A18	BRACKET / FLOAT TANK	2		
4	20-0912A18	BRACKET	1		
5	27-0016	BOLT	4		
6	850-0322	FLOAT TANK ASSEMBLY (INC. 7-8)	1		
7	N/A	FLOAT TANK	1		
8	N/A	BULKHEAD (INC. 25-0506 GASKET)	1		
9	23-0037	ELBOW	1		
10	23-0019	NIPPLE	1		

<b>Id</b>	<b>Item #</b>	<b>Description</b>	<b>Quantity</b>	<b>Rev</b>	<b>Comments</b>
11	19-0203	STRAINER	1		
12	22-0059	FLOAT	1		
13	31-3320	BALL FLOAT STUD	1		
14	22-0317	FLOAT VALVE	1		
15	29-0074	LOCKWASHER	1		
16	23-0428	LOCKNUT	1		
17	23-0021	GARDEN HOSE INLET	1		
18	19-0001	FILTER	1		



HDC-3505 / HDC-3505-0B7G (sn:0-99999999)

## BURNER FUEL TANK



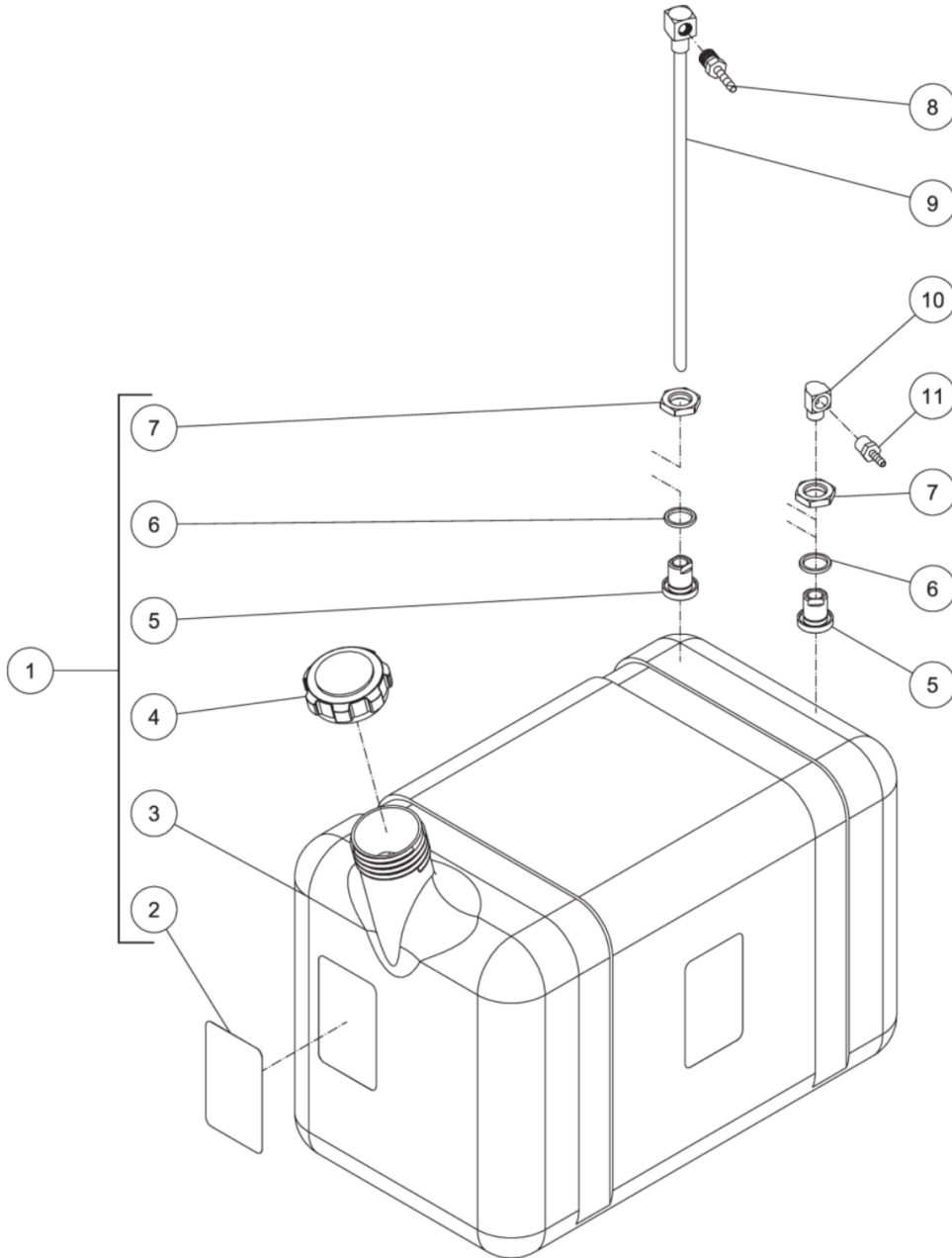
Id	Item #	Description	Quantity	Rev	Comments
1	850-0307	FUEL TANK ASSEMBLY (INC. 2-3, 5-7)	1		
2	N/A SEP.	DECAL- CAUTION: RISK OF FIRE (SEE 71-0041)	1		

<b>Id</b>	<b>Item #</b>	<b>Description</b>	<b>Quantity</b>	<b>Rev</b>	<b>Comments</b>
3	N/A Sep.	FUEL TANK (SEE 850-0307)	1		
4	12-0033	FUEL CAP	1		
5	23-0408	BULKHEAD FITTING	2		
6	25-0427	O-RING	2		
7	23-0409	NUT	2		
8	23-0051	HOSE BARB	1		
9	33-0352	FUEL PICKUP	1		
10	23-0054	ELBOW	1		
	71-0041	SAFETY DECAL KIT (INCLUDES 2)			



HDC-3505 / HDC-3505-0B7G (sn:0-99999999)

## DIESEL FUEL TANK



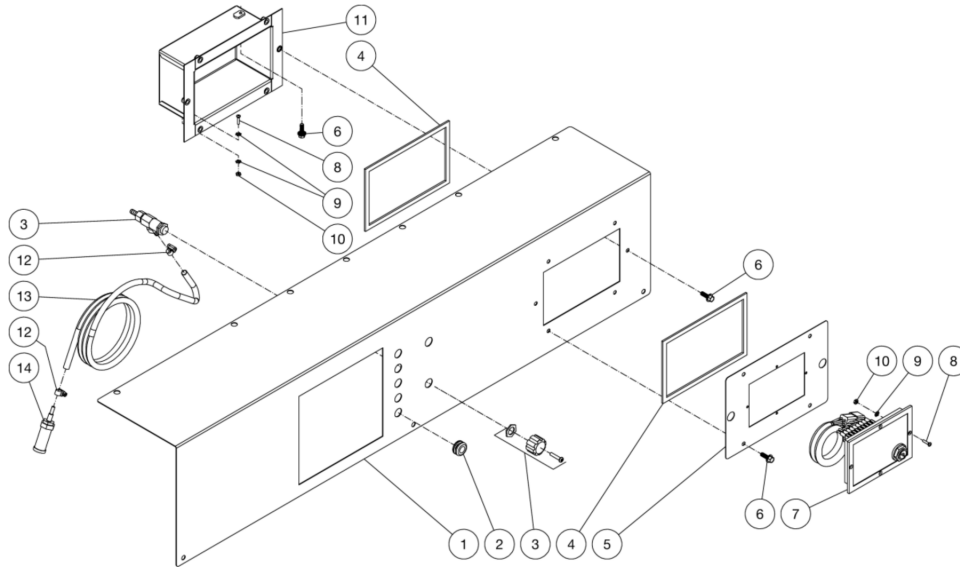
Id	Item #	Description	Quantity	Rev	Comments
1	850-0307	FUEL TANK ASSEMBLY (INC. 2-7)	1		
2	34-1034	DECAL- CAUTION: RISK OF FIRE	1		
3	N/A Sep.	FUEL TANK (SEE 850-0307)	1		
4	12-0033	FUEL CAP	1		

<b>Id</b>	<b>Item #</b>	<b>Description</b>	<b>Quantity</b>	<b>Rev</b>	<b>Comments</b>
5	23-0408	BULKHEAD FITTING	2		
6	25-0427	O-RING	2		
7	23-0409	NUT	2		
8	23-0051	HOSE BARB	1		
9	33-0352	FUEL PICKUP	1		
10	23-0014	ELBOW	1		
11	23-0455	HOSE BARB	1		



HDC-3505 / HDC-3505-0B7G (sn:0-99999999)

## CONTROL PANEL ASSEMBLY



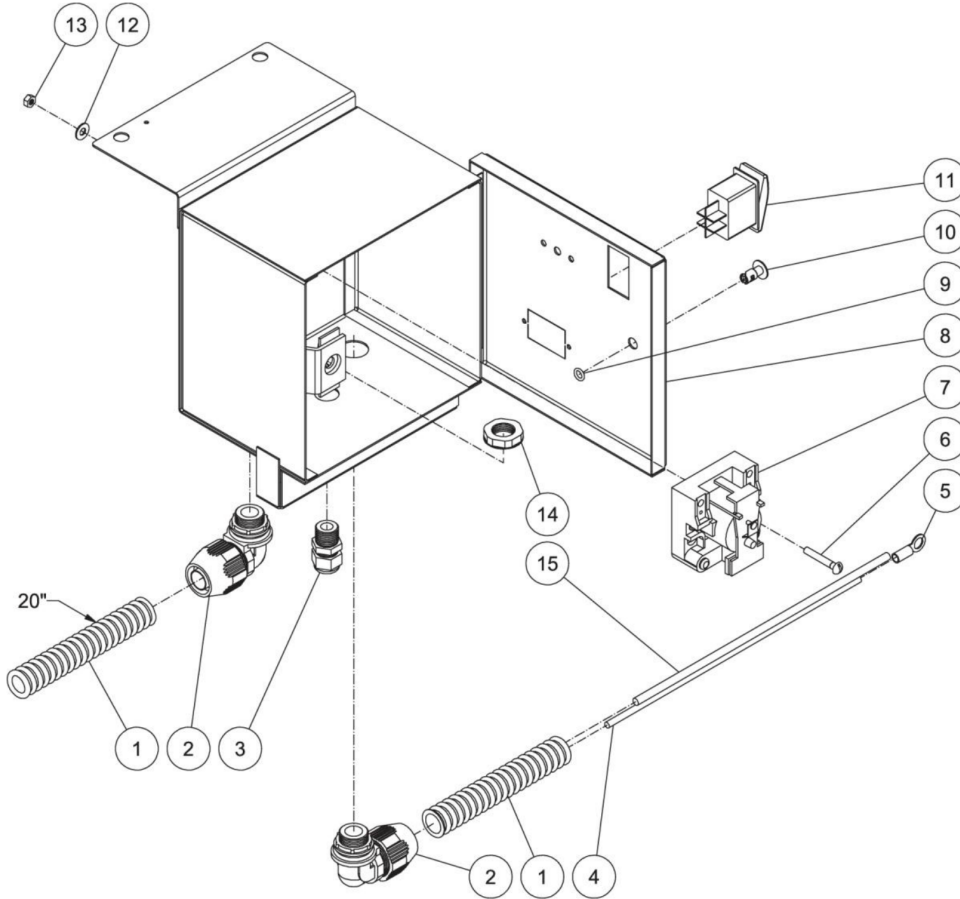
Id	Item #	Description	Quantity	Rev	Comments
1	20-1096A18	CONTROL PANEL	1		
2	33-0001	GROMMET	5		
3	22-0226	DETERGENT VALVE	1		
4	26-0248	GASKET	2		
5	21-0227	ELECTRIC BOX PANEL	1		
6	27-1200	BOLT	7		
7	32-0970	ENGINE CONTROL PANEL	1		
7	32-0991	SWITCH	1		
8	27-8881	SCREW	5		
9	28-1009	STAR WASHER	6		
10	30-0052	NUT	5		
11	20-1412A18	ELECTRIC BOX	1		
12	42-0004	CLAMP WORM	2		
13	15-0021	HOSE *(SIX FEET REQUIRED)	1		
14	19-0056	STRAINER	1		

\*MUST ORDER IN ONE FOOT LENGTHS



HDC-3505 / HDC-3505-0B7G (sn:0-99999999)

## ELECTRICAL BOX ASSEMBLY



Id	Item #	Description	Quantity	Rev	Comments
1	32-0253	CONDUIT FLEX *(SEVEN FEET REQUIRED)	2		
1	32-0253	CONDUIT FLEX *(FOUR FEET REQUIRED) (DIESEL)	1		
2	32-0254	CONDUIT ELBOW	2		
3	32-0586	STRAIN RELIEF	3		
4	32-0500	WIRE *(SEVEN FEET REQUIRED)	1		
4	32-0500	WIRE *(FOUR FEET REQUIRED) (DIESEL)	1		
5	32-0639	TERMINAL RING	2		
6	27-8912	SCREW	2		
7	32-0791	RELAY CONTROL	1		
8	20-1097A18	ELECTRIC BOX	1		
9	25-0209	O-RING	1		

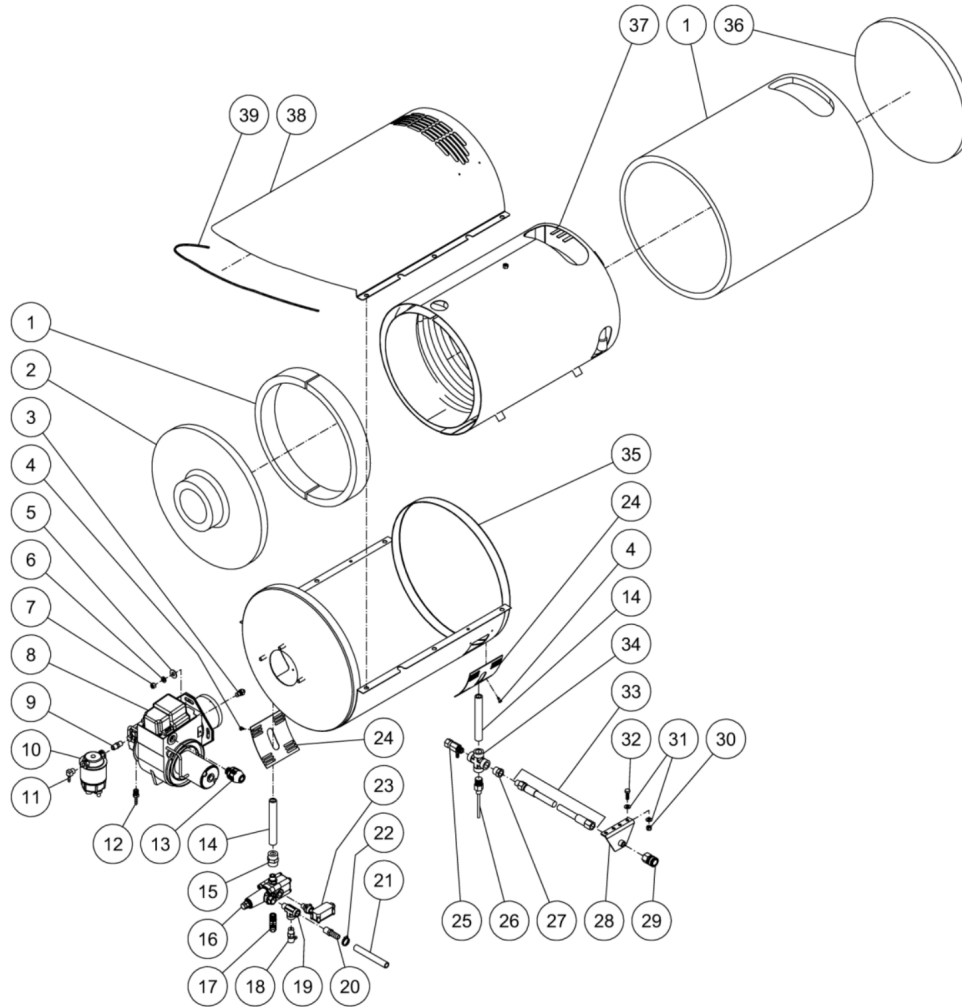
<b>Id</b>	<b>Item #</b>	<b>Description</b>	<b>Quantity</b>	<b>Rev</b>	<b>Comments</b>
10	33-0197	FASTENER	1		
11	32-0969	ROCKER SWITCH W/LAMP	1		
12	28-0001	WASHER	2		
13	30-6001	NUT	2		
14	32-0587	ELECTRICAL LOCKNUT	3		
15	32-0794	WIRE *(SEVEN FEET REQUIRED)	1		
15	32-0794	WIRE *(THREE FEET REQUIRED) (DIESEL)	1		

\*MUST ORDER IN ONE FOOT LENGTHS



HDC-3505 / HDC-3505-0B7G (sn:0-99999999)

## HEAT EXCHANGER ASSEMBLY



Id	Item #	Description	Quantity	Rev	Comments
1	850-0279	INSULATION BLANKET	1		
2	33-0345	INSULATION DRUM HEAD	1		
3	18-0090	FUEL NOZZLE	1		
4	27-3062	BOLT	8		
5	28-0023	WASHER	3		
6	29-0008	LOCKWASHER	3		
7	30-0006	NUT	3		
8	4-0021	BURNER	1		
9	24-0145	NIPPLE	1		

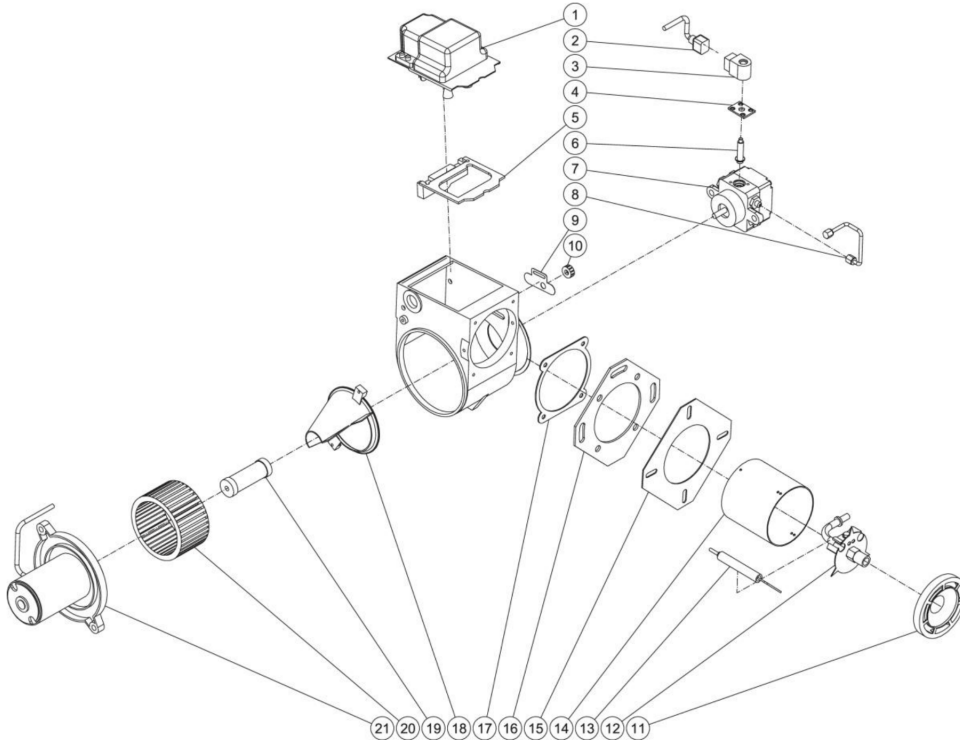
Id	Item #	Description	Quantity	Rev	Comments
10	19-0070	FUEL FILTER / WATER SEPERATOR	1		
11	23-0054	ELBOW	1		
12	23-0051	BARB	1		
13	32-0255	CONDUIT FITTING	1		
14	24-0254	PIPE NIPPLE	2		
15	24-0243	ADAPTER	1		
16	8-0013	UNLOADER	1		
17	24-0092	ELBOW	1		
18	22-0432	HEAT DUMP VALVE	1		
19	23-0058	STREET TEE	1		
20	23-0105	HOSE BARB	1		
20	23-0050	ELBOW HOSE BARB	1		
21	15-0007	HOSE *(THREE FEET REQUIRED)	1		
22	42-0011	HOSE CLAMP	1		
23	22-0243	PRESSURE SWITCH	1		
24	20-0537A18	PATCH PLATE	2		
25	22-0309	SAFETY RELIEF VALVE	1		
26	32-0667	HI-LIMIT SWITCH	1		
27	23-0016	REDUCER BUSHING	1		
28	13-0199A18	WATER OUTLET BRACKET	1		
29	17-0004	QC SOCKET	1		
30	30-0157	LOCKNUT	2		
31	28-0003	WASHER	4		
32	27-0067	BOLT	2		
33	15-0202	HP HOSE	1		
34	24-0241	CROSS	1		
35	20-0527A18	BOTTOM WRAP	1		
36	33-0346	INSULATION DISC	1		
37	66-0014	COIL	1		
38	21-0129	TOP WRAP	1		
39	33-0020	EDGING *(THREE FEET REQUIRED)	1		

\*MUST ORDER IN ONE FOOT LENGTHS



Search by Model - HDC-3505 / HDC-3505-0B7G (sn:0-99999999)

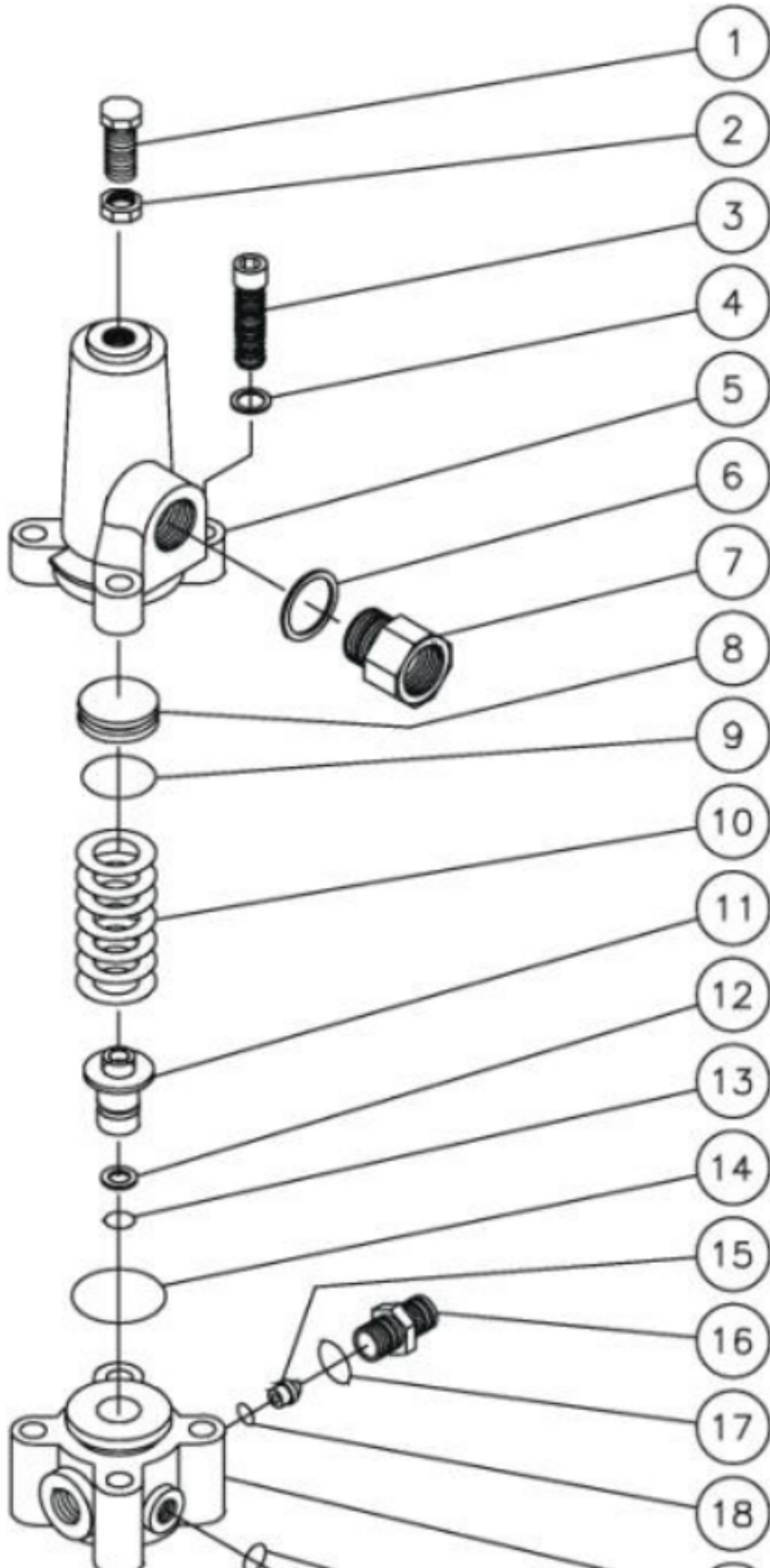
## BURNER ASSEMBLY

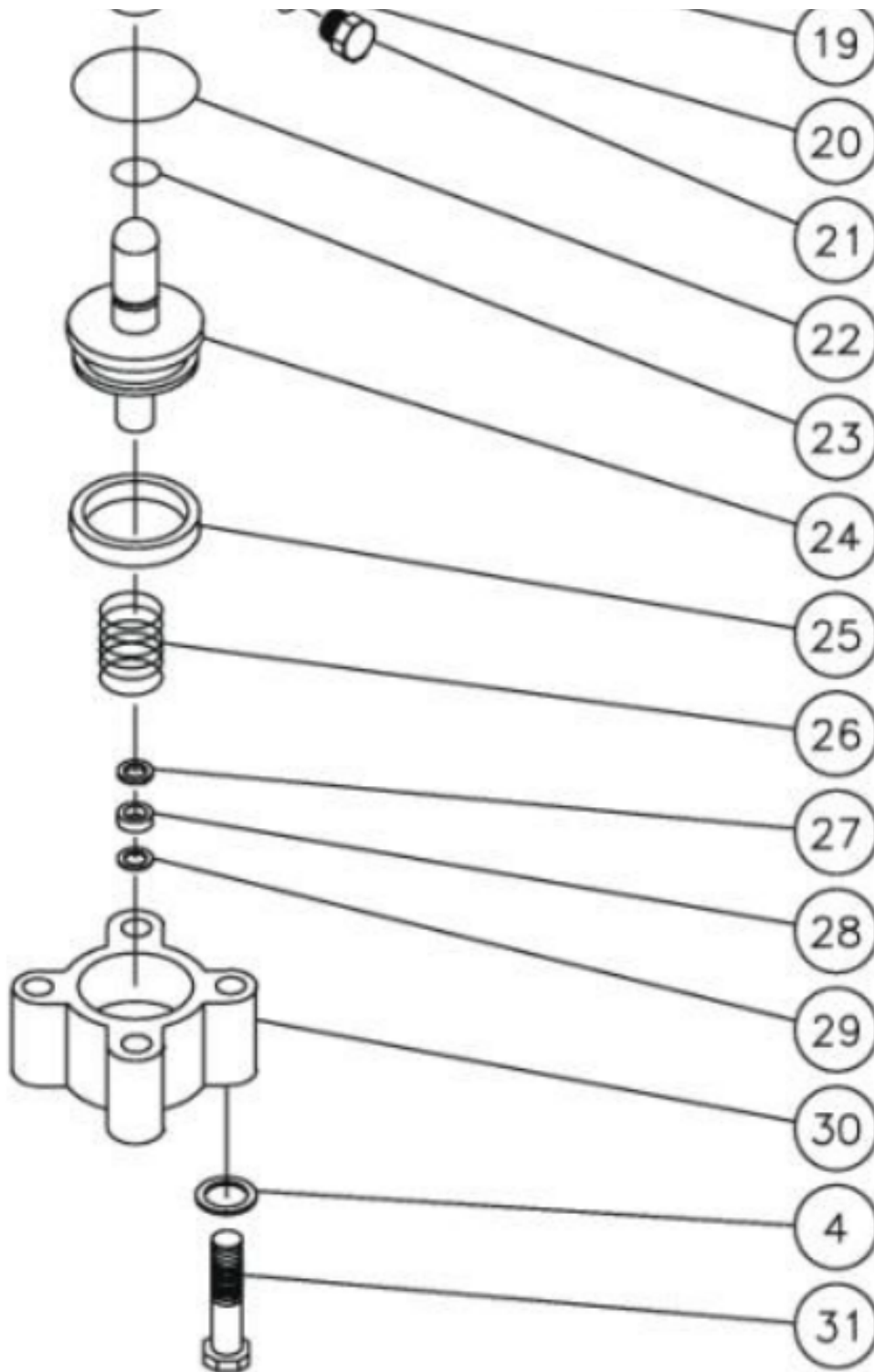


Id	Item #	Description	Quantity	Rev	Comments
1	44-0125	IGNITER ASSY W/ BASEPLATE	1		
2	44-0122	CORD SET	1		
3	46-1015	COIL	1		
4	46-1004	TUBE BASE PLATE	1		
5	70-0369	IGNITER GASKET KIT	1		
6	46-1012	SOLENOID PISTON	1		
7	3-0434	FUEL PUMP	1		
8	44-0025	TUBING	1		
9	44-0031	PLATE	1		
10	44-0022	NUT	1		
11	44-0011	COMBUSTION HEAD	1		
12	44-0111	ELECTRODE KIT	1		
13	44-0114	ELECTRODE	1		
14	44-0110	AIR TUBE	1		

<b>Id</b>	<b>Item #</b>	<b>Description</b>	<b>Quantity</b>	<b>Rev</b>	<b>Comments</b>
15	44-0108	FLANGE MOUNTING GASKET	1		
16	44-0109	FLANGE	1		
17	26-0138	GASKET FLANGE	1		
18	44-0123	AIR GUIDE	1		
19	44-0127	COUPLING	1		
20	44-0124	BLOWER WHEEL	1		
21	2-0139	MOTOR	1		

# UNLOADER ASSEMBLY





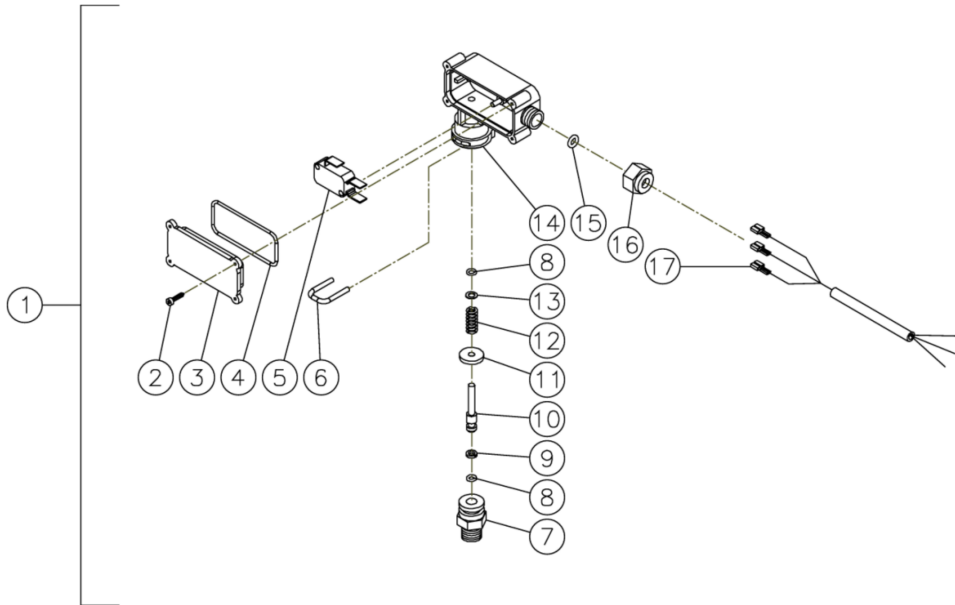
Id	Item #	Description	Quantity	Rev	Comments
1	27-8077	BOLT	1		
2	30-3010	HEX NUT	1		
3	27-8434	BOLT	4		
4	29-0154	LOCKWASHER	8		
5	8-0138	UPPER BODY	1		
6	8-0277	WASHER	1		
7	8-0125	BY-PASS RESTRICTOR (8-0012)	1		
7	8-0124	BY-PASS RESTRICTOR (8-0013)	1		
8	8-0135	SPRING GUIDE	1		

Id	Item #	Description	Quantity	Rev	Comments
9	25-0118	O-RING	1		
10	49-0026	SPRING	1		
11	8-0145	VALVE SEAT	1		
12	8-0141	BACK-UP RING	1		
13	25-0121	O-RING	1		
14	25-0117	O-RING	1		
15	8-0126	FLOW BALANCER FOR 8-0012	1		
15	8-0128	FLOW BALANCER FOR 8-0013	1		
16	8-0130	NIPPLE	1		
17	25-0052	O-RING	1		
18	25-0119	O-RING	1		
19	8-0137	MIDDLE BODY	1		
20	25-0114	O-RING	2		
21	39-0017	HEX PLUG	2		
22	25-0056	O-RING	1		
23	25-0120	O-RING	1		
24	8-0136	PISTON ASSEMBLY	1		
25	26-0104	SEAL	1		
26	49-0027	SPRING	1		
27	8-0139	WASHER	1		
28	26-0105	SEAL	1		
29	8-0140	BACK-UP RING	1		
30	8-0134	LOWER BODY	1		
31	27-8037	BOLT	4		
KIT	70-0013	UNLOADER REPAIR KIT (INC. 9, 11, 13, 14, 17, 18, 20, 22-26, 28, 29)			
KIT	852-0015	UNLAODER ORIFICE KIT (INC. 7, 15, 16) FOR 8-0013			
KIT	852-0014	UNLAODER ORIFICE KIT (INC. 7, 15, 16) FOR 8-0012			



HDC-3505 / HDC-3505-0B7G (sn:0-99999999)

## PRESSURE SWITCH



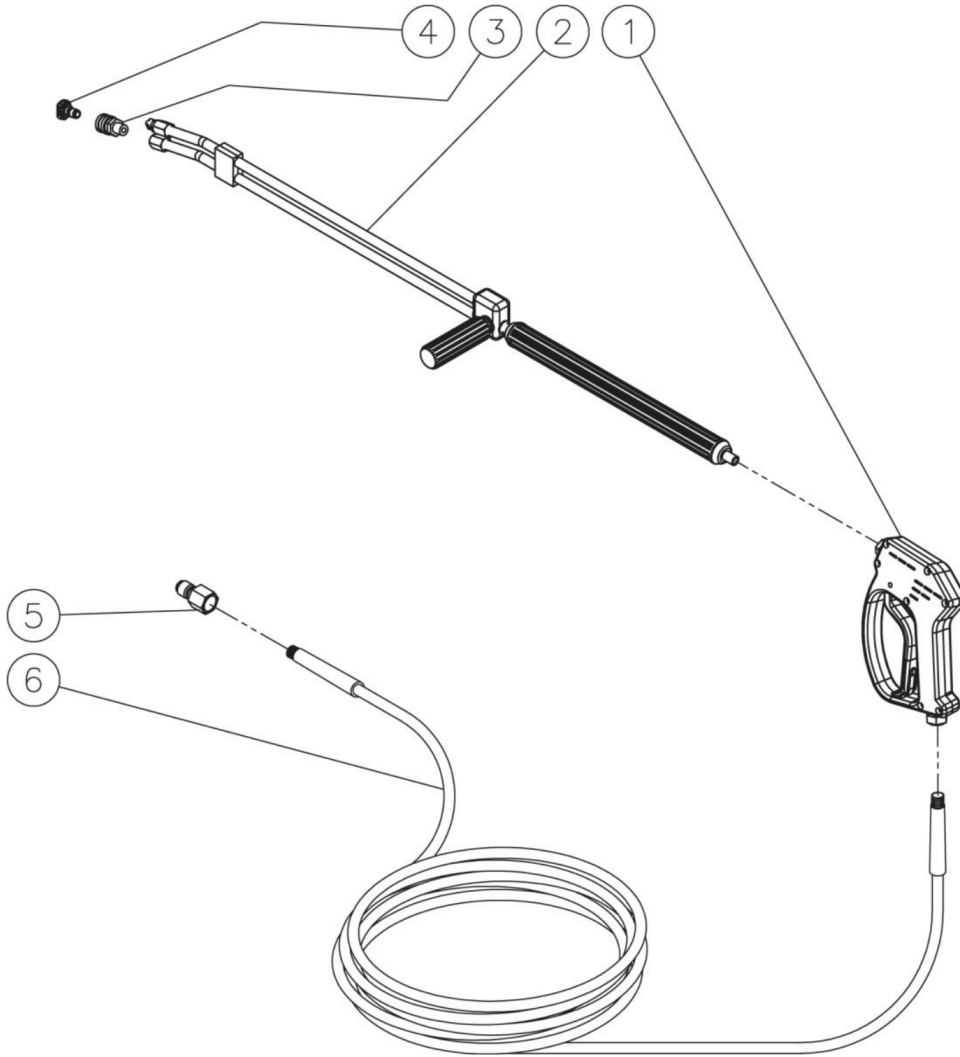
Id	Item #	Description	Quantity	Rev	Comments
1	22-0171	PRESSURE SWITCH- 15 BAR	1		
1	22-0243	PRESSURE SWITCH- 25 BAR	1		
2	N/A	SCREW	4		
3	N/A	COVER	1		
4	N/A Sep.	O-RING (SEE 70-0306)	1		
5	N/A	MICRO SWITCH	1		
6	N/A	RETAINER CLIP	1		
7	N/A	BODY	1		
8	N/A Sep.	O-RING (SEE 70-0306)	2		
9	N/A Sep.	BACK-UP RING (SEE 70-0306)	1		
10	N/A	PISTON	1		
11	N/A	WASHER	1		
12	49-0144	SPRING- 15 BAR	1		
12	49-0145	SPRING- 25 BAR	1		
13	N/A	WASHER	1		
14	N/A	PLASTIC HOUSING	1		

<b>Id</b>	<b>Item #</b>	<b>Description</b>	<b>Quantity</b>	<b>Rev</b>	<b>Comments</b>
15	N/A Sep.	O-RING (SEE 70-0306)	1		
16	N/A	NUT- 15 BAR	1		
16	N/A	NUT- 25 BAR	1		
17	N/A	WIRE ASSEMBLY	1		
KIT	70-0306	O-RING REPAIR KIT (INC. 4, 8-9, 15)			



HDC-3505 / HDC-3505-0B7G (sn:0-99999999)

## GUN/WAND/HOSE ASSEMBLY



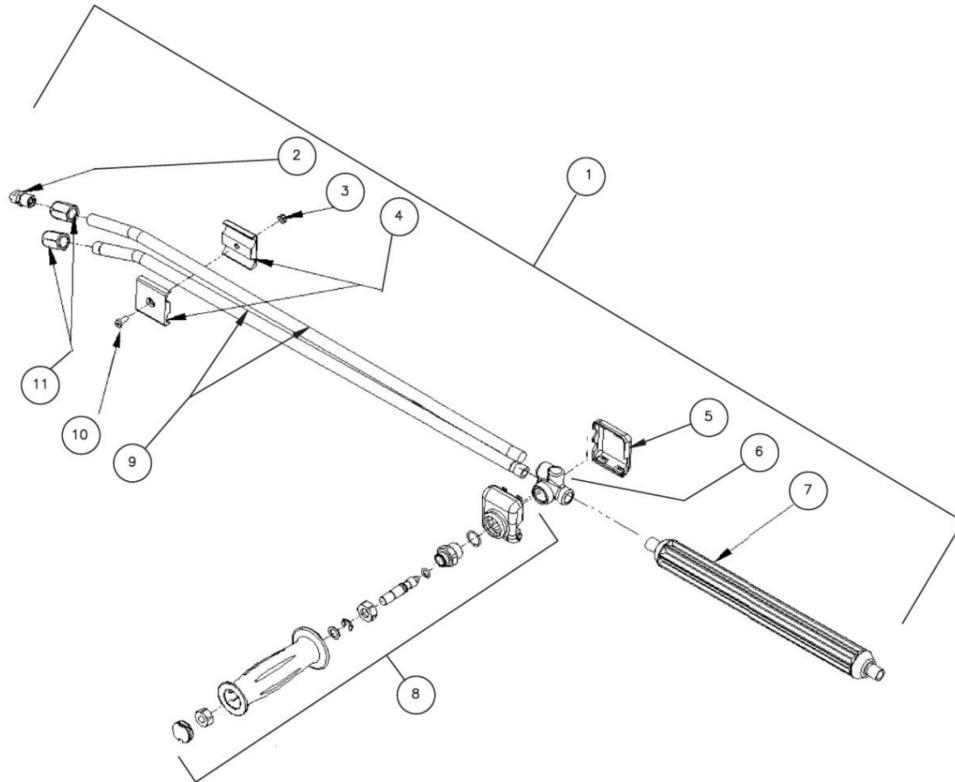
Id	Item #	Description	Quantity	Rev	Comments
1	16-0446	GUN ASSEMBLY	1		
2	16-0417	DUAL LANCE	1		
3	17-0028	QUICK CONNECT SOCKET	1		
4	18-0028	NOZZLE- 0004 (HDC-4004)	1		
4	18-0029	NOZZLE- 1504 (HDC-4004)	1		
4	18-0030	NOZZLE- 2504 (HDC-4004)	1		
4	18-0031	NOZZLE- 4004 (HDC-4004)	1		
4	18-0003	NOZZLE- 0005 (HDC-3505)	1		

<b>Id</b>	<b>Item #</b>	<b>Description</b>	<b>Quantity</b>	<b>Rev</b>	<b>Comments</b>
4	18-0004	NOZZLE- 1505 (HDC-3505)	1		
4	18-0153	NOZZLE- 2505 (HDC-3505)	1		
4	18-0180	NOZZLE- 4005 (HDC-3505)	1		
4	18-0035	NOZZLE- 0005.5 (HDC-3005)	1		
4	18-0041	NOZZLE- 1505.5 (HDC-3005)	1		
4	18-0062	NOZZLE- 2505.5 (HDC-3005)	1		
4	18-0132	NOZZLE- 4005.5 (HDC-3005)	1		
5	17-0006	QUICK CONNECT PLUG	1		
6	15-0166	HIGH PRESSURE HOSE ASSEMBLY	1		



HDC-3505 / HDC-3505-0B7G (sn:0-99999999)

## DUAL LANCE ASSEMBLY



Id	Item #	Description	Quantity	Rev	Comments
1	16-0416	DUAL LANCE ASSEMBLY - 36" (INC. 2-11)	1		
1	16-0417	DUAL LANCE ASSEMBLY - 48" (INC. 2-11)	1		
2	18-0110	DETERGENT NOZZLE	1		
3	30-6001	NUT	1		
4	16-0420	CLAMP	2		
5	N/A Sep.	LOWER VALVE COVER (SEE 16-0416 OR 16-0417)	1		
6	N/A Sep.	HOUSING (SEE 16-0416 OR 16-0417)	1		
7	16-0419	LANCE	1		
8	70-0419	HANDLE REPAIR KIT	1		
9	N/A Sep.	LANCE (SEE 16-0416)	2		
9	N/A Sep.	LANCE (SEE 16-0417)	2		
10	27-8196	SCREW	1		

Id	Item #	Description	Quantity	Rev	Comments
11	24-0280	NOZZLE ADAPTER	2		