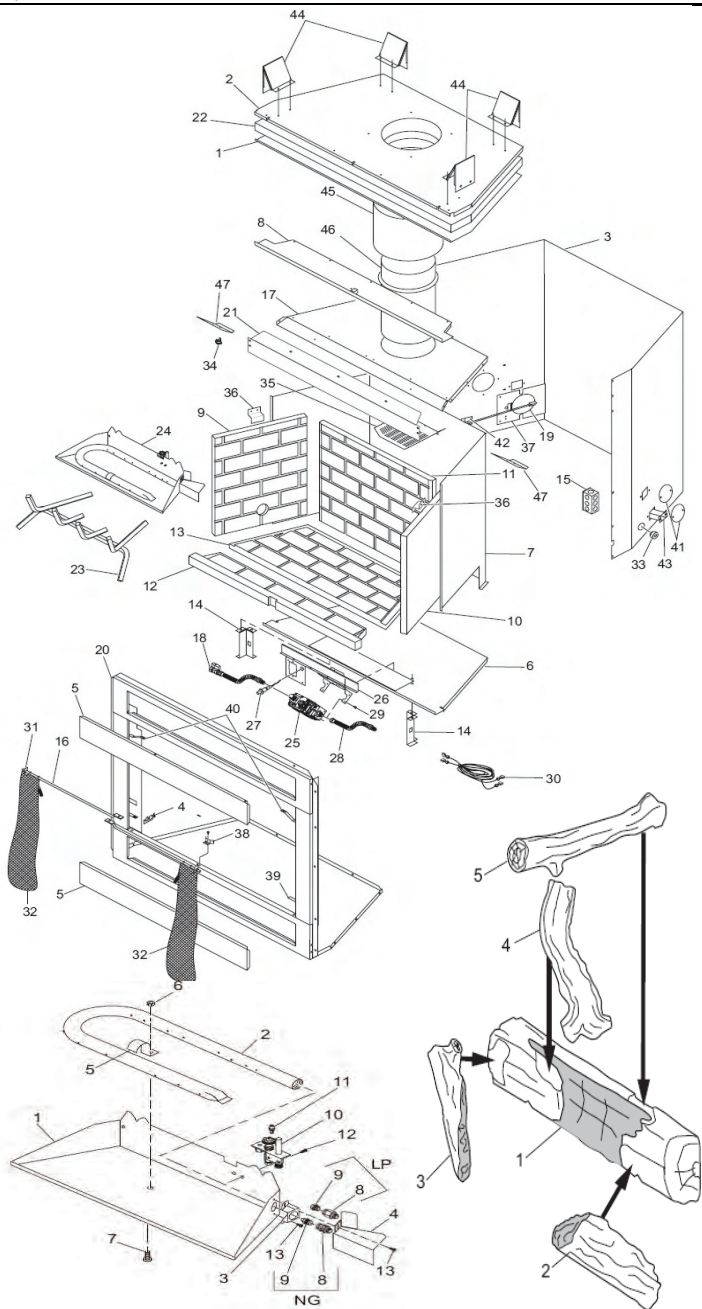


# FMI Pueblo 32" B-Vent Dual Burner Millivolt Fireplace

MODELS: P325, P325B

Part Number	Description	
1	**	Insulation Pan
2	**	Fireplace Top Assembly
3	**	Fireplace Surround
4	108425-01	Air Rod Retainer
5	108423-01	Panel Closure
6	**	Firebox Bottom
7	**	Firebox Surround
8	**	Air Separator
9	108434-01	Left Refractory, (B Models)
10	108432-01	Right Refractory, (B Models)
11	108430-01	Rear Refractory, (B Models)
12	108428-01	Bottom Front Refractory
13	108426-01	Bottom Rear Refractory
14	106683-01	Firebox Support Leg
15	24353	Box Assembly
16	108701-01	Screen Rod
17	**	Firebox Top Assembly
18	14253	Flex Line w/ Shutoff Valve
19	106703-02	Damper Door Assembly
20	**	Firebox Face
21	108412-01	Smoke Deflector
22	**	Fireplace Top Insulation
23	109040-01	Grate Assembly
24	108712-03	Burner Assembly
25	14512	Gas Control Valve (Natural Gas)
	14513	Gas Control Valve (Propane/LP)
26	107741-02	Valve Bracket
27	097159-04	Piezo Ignitor
28	108368-01	3/8" Flex Line
29	11107	Screw, #10-32 x 1/4 PPH
30	108005-04	Wire Harness
31	11418	Push-On Nut
32	108441-01	Screen
33	14123	Strain Relief
34	14574	Limit Switch
35	22912	Draft Diverter
36	20027	Brick Liner Retainer
37	20042	Air Kit Cover
38	20088	Door Stop
39	20089	Pivot Clip
40	20090	Spring Clip
41	21171	Gas Knockout Cover
42	108652-01	Gas Conduit Assembly, Left
43	108654-01	Gas Conduit Assembly, Right
44	20280	Top Spacer
45	108415-01	Starter Pipe Collar
46	108417-01	5" Collar
47	108769-03	Extension Deflector
<b>PARTS AVAILABLE NOT SHOWN</b>		
	901155-01	Vermiculite Bag
	901156-01	Pan Material
	901157-02	Lava Rock
	109100-02	Log Set
1	109421-01	Rear Log
2	109420-01	Front Right Log
3	108723-01	Front Left Log
4	108722-01	Top Y-Log
5	108720-01	Top Log



Part Number	Description	
<b>Burner</b>		
1	107742-03	Burner Pan
2	109037-01	Burner Tube
3	107748-01	Burner Bracket
4	107985-01	Pilot Shield
5	901681-01	Burner Clamp
6	11209	Nut, #10-24
7	11147	Screw, #10-24x1/2
8	901066-01	Brass Air Mixer (NG)
	901066-02	Brass Air Mixer (LP)
9	901064-11	Orifice (NG)
	901065-09	Orifice (LP)
10	108084-01	Pilot (NG)
11	108085-01	Pilot Orifice (NG)
12	11102	Screw, #8-32x3/8
13	11165	Screw, #10x5/8

\*\* Not Field Replaceable Part