

# OPERATION AND PARTS MANUAL



**GloBug 4-Spot**  
**MODEL GB43SC**  
**LIGHTING SYSTEM**  
**(FOR USE WITH MQ SERIES GENERATORS)**

Revision #5 (10/09/19)

THIS MANUAL MUST ACCOMPANY THE EQUIPMENT AT ALL TIMES.

# TABLE OF CONTENTS

## GB43SC GloBug 4-Spot

Proposition 65 Warning .....	2
Table of Contents.....	4
Safety Information .....	6–10
Specifications .....	11
Dimensions.....	12
General Information.....	13
Components .....	14–15
Setup .....	16–18
Operation.....	19
Storage .....	20–21
Maintenance .....	22–23
Troubleshooting .....	24–25
Wiring Diagram.....	26
Explanation of Code in Remarks Column.....	28
Suggested Spare Parts .....	29

## Component Drawings

Nameplate and Decals .....	30–31
Base Plate Assembly.....	32–33
Electrical Assembly — Round Lamp .....	34–35
Electrical Assembly — Oval Lamp .....	36–37
Ballast Assembly .....	38–39
Main Mast Assembly .....	40–41
T-Handle Assembly.....	42–43
Steering Assembly.....	44–45
Outrigger Assembly .....	46–47
Mast Adapter Assembly.....	48–49
Mast Section Assembly .....	50–51

### NOTICE

Specifications and part numbers are subject to change without notice.

## SUGGESTED SPARE PARTS

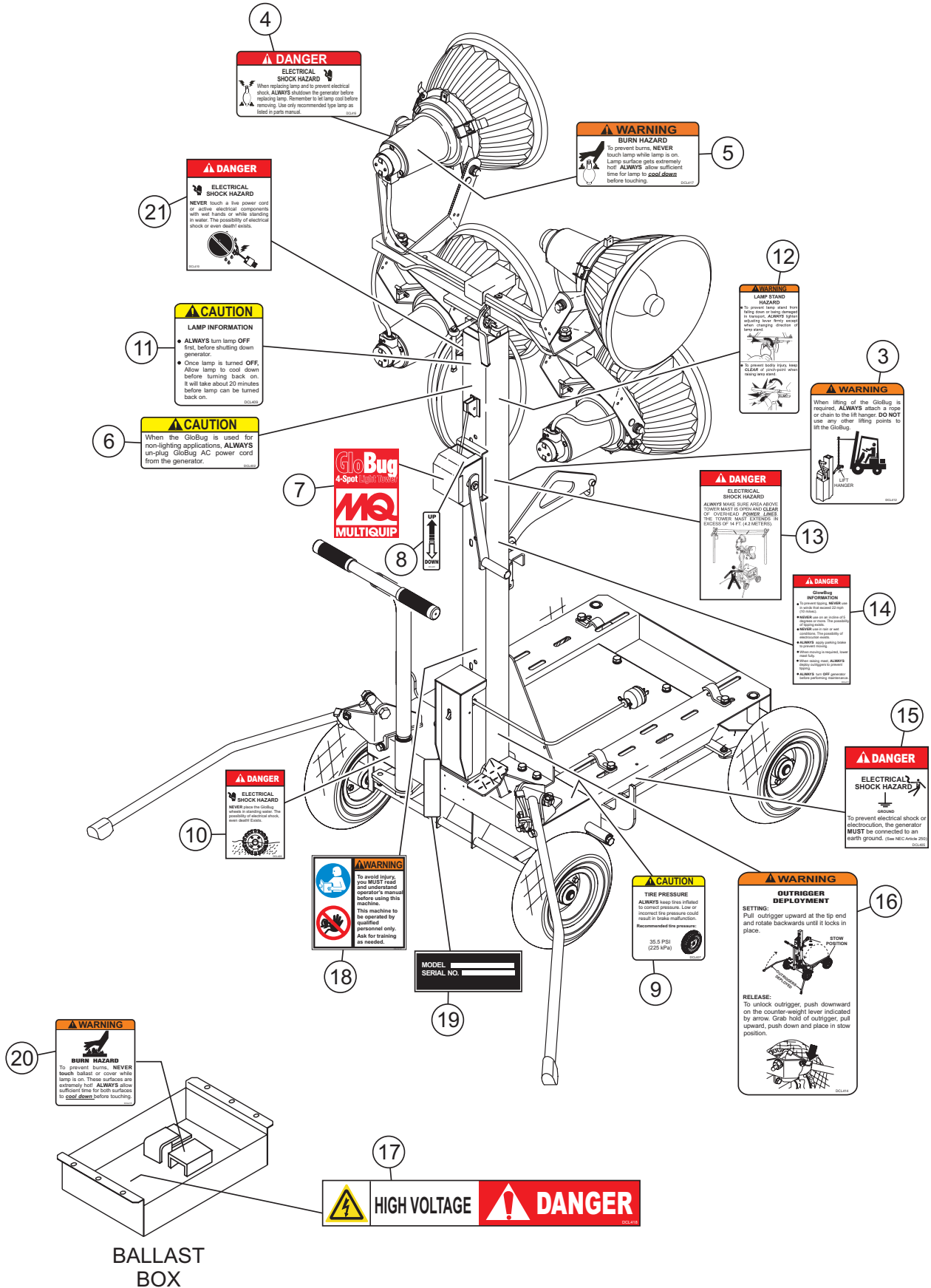
---

### GB43SC GLOBUG 4-SPOT

1 to 3 units

Qty.	P/N	Description
3.....	E000031700 .....	BULB
1.....	A300069800 .....	BALLAST ASSY
1.....	E000032000 .....	CAPACITOR
1.....	1311100161.....	MIRROR/LENS

# NAMEPLATES AND DECALS

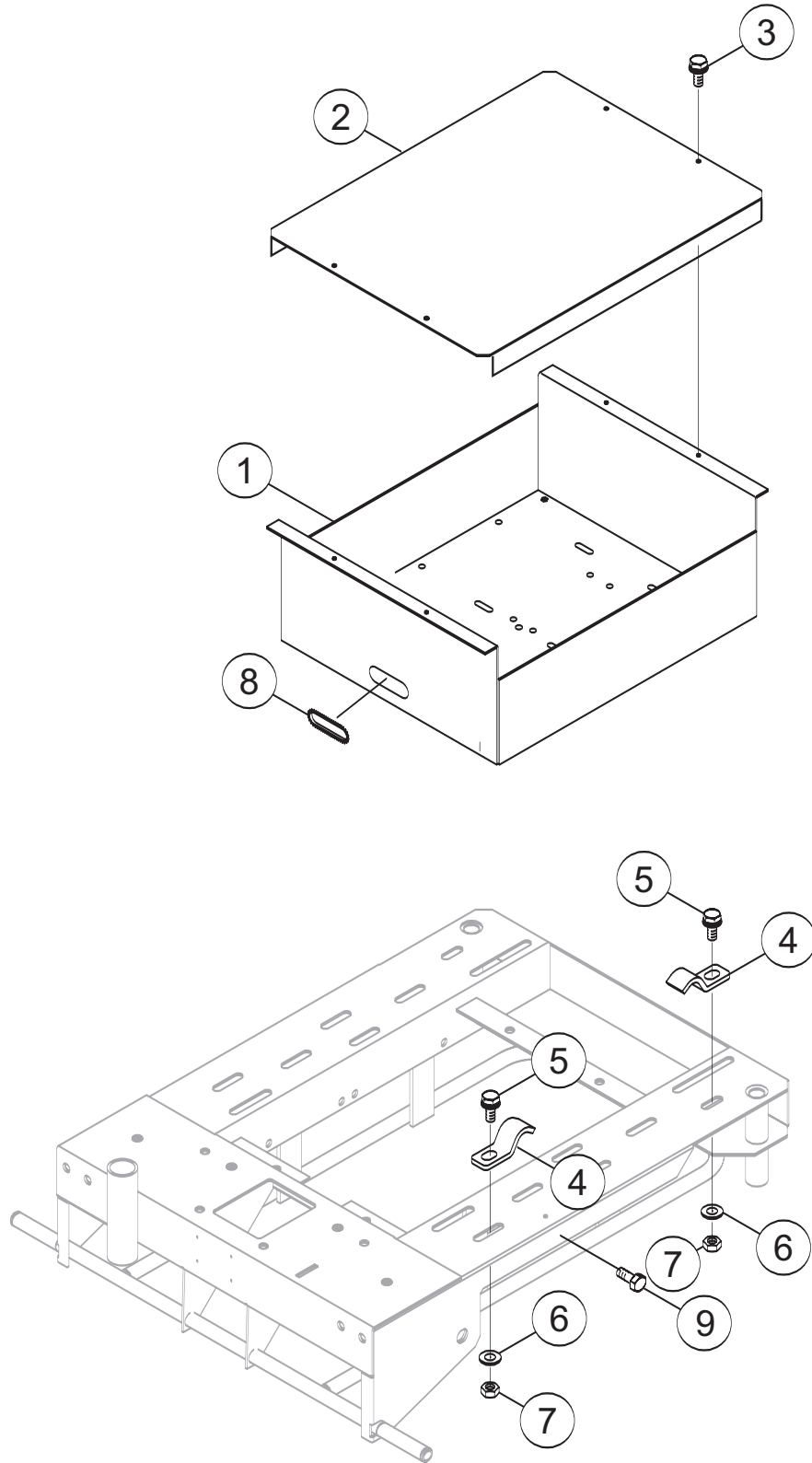


BALLAST BOX

## NAMEPLATES AND DECALS

<u>NO.</u>	<u>PART NO.</u>	<u>PART NAME</u>	<u>QTY.</u>	<u>REMARKS</u>
3	DCL412	DECAL; WARNING, LIFT HANGER	1	
4	DCL416	DECAL; DANGER, ELECTRICAL SHOCK HAZ.	1	
5	DCL417	DECAL; WARNING, BURN HAZARD (LAMP)	1	
6	DCL402	DECAL; CAUTION, REMOVE POWER CORD	1	
7	DCL428A	DECAL; MQ LOGO	1	
8	DCL401	DECAL; WINCH UP/DOWN	1	
9	DCL407	DECAL; CAUTION, TIRE PRESSURE	1	
10	DCL400	DECAL; DANGER, ELECTRICAL SHOCK (TIRES)	1	
11	DCL409	DECAL; CAUTION, LAMP INFORMATION	1	
12	DCL406A	DECAL; WARNING, ADJ. LEVER HAZARD	1	
13	DCL403A	DECAL; DANGER ELECTRIC SHOCK (GLOBUG)	1	
14	DCL411	DECAL; DANGER, GLOBUG INFORMATION	1	
15	DCL405	DECAL; DANGER, ELECTRICAL SHOCK (GND)	1	
16	DCL414	DECAL; WARNING, OUTRIGGER DEPLOYMENT	1	
17	DCL418	DECAL; DANGER, HIGH VOLTAGE	1	
18	35137	DECAL; WARNING, READ MANUAL	1	
19		NAMEPLATE.....	1	.....CONTACT MQ PARTS DEPT.
20	DCL415	DECAL; BURN HAZARD (BALLAST)	1	
21	DCL410	DECAL; DANGER, ELECTRICAL SHOCK (CORDS)	1	

# BASE PLATE ASSY.

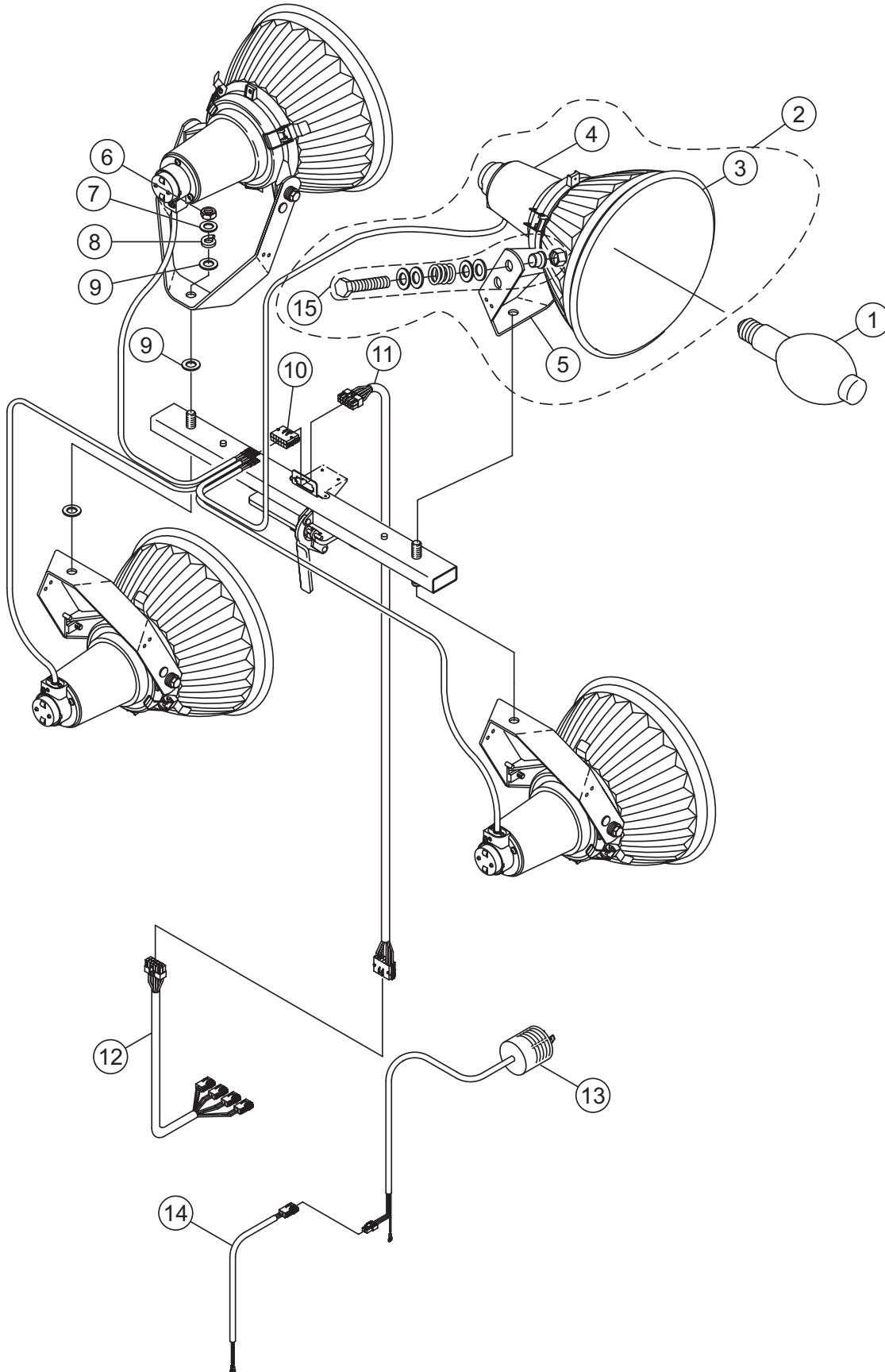


## BASE PLATE ASSY.

---

<u>NO.</u>	<u>PART NO.</u>	<u>PART NAME</u>	<u>QTY.</u>	<u>REMARKS</u>
1	A100030203	BOX (BALLAST) CP .....	1.....	REPLACES P/N A100030201
2	A100030101	COVER (BALLAST) .....	1.....	REPLACES P/N A100030100
3	0010510025	BOLT AND WASHER (M10 X 25)	4	
4	A400041101	STOPPER.....	4.....	REPLACES P/N A400041100
5	0010512025	BOLT AND WASHER (M12 X 25)	4	
6	0043112000	WASHER (M12)	4	
7	0033112000	NUT (M12)	4	
8	E000032100	FREE BRUSH	1	
9	0013106010	BOLT (M6 X 10)	1	

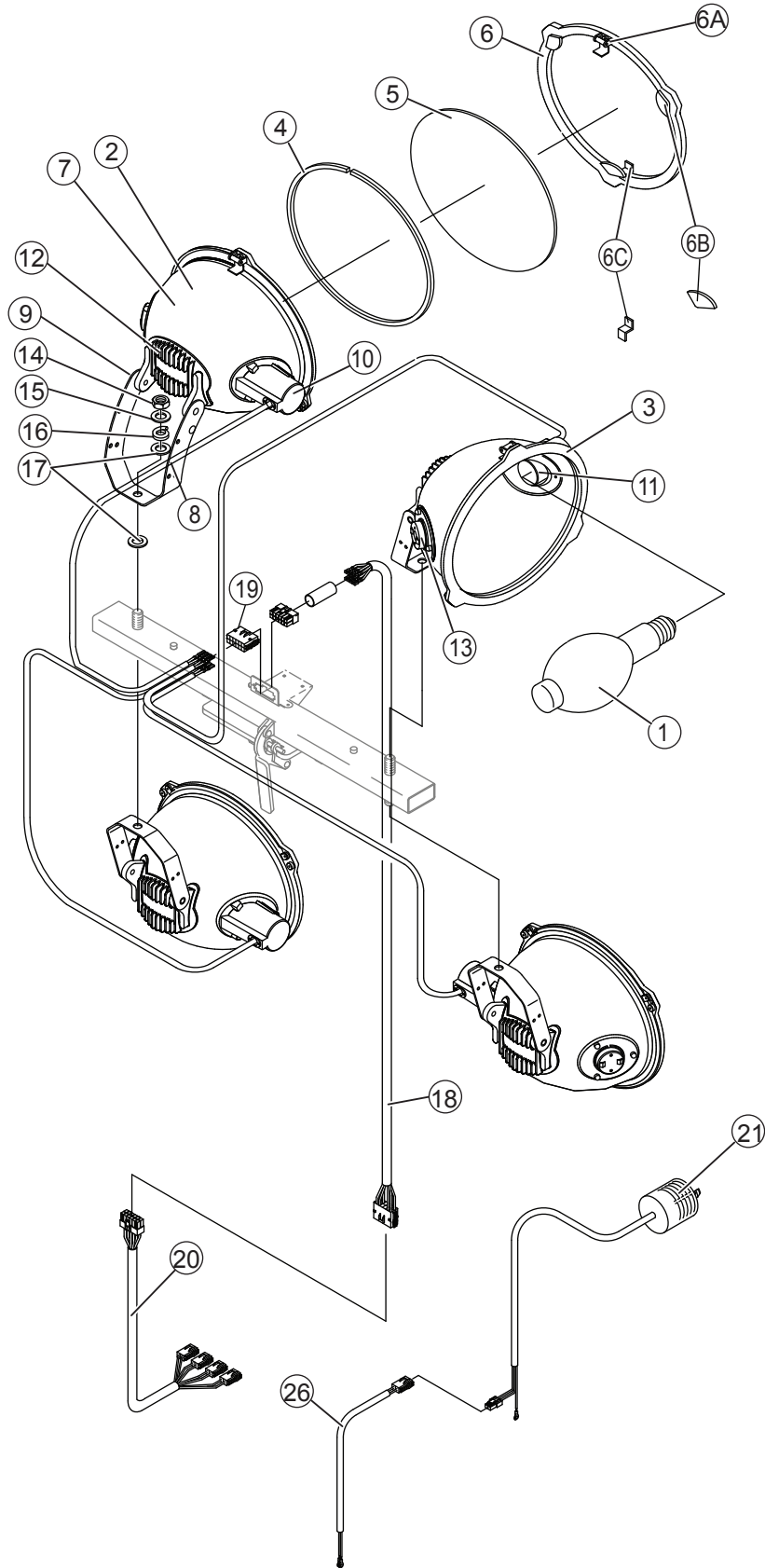
# ELECTRICAL ASSY. — ROUND LAMP (S/N G5000086 AND BELOW)



## **ELECTRICAL ASSY. — ROUND LAMP (S/N G5000086 AND BELOW)**

<b>NO.</b>	<b>PART NO.</b>	<b>PART NAME</b>	<b>QTY.</b>	<b>REMARKS</b>
1	E000031700	LAMP	4	
2	E000048100	LIGHTING UNIT ASSY .....	4.....	INCLUDES ITEMS W/ #
3#	1311100161	MIRROR/LENS	4	
4#	1311300161	LIGHT SOURCE TUBE	4	
5#	1311200162	ARM (LIGHTING UNIT)	4	
6	0031116000	NUT (M16)	4	
7	0040116000	WASHER (M16)	4	
8	1042000230	SPRING	4	
9	1502180110	WASHER	8	
10	1407021030	RECEPTACLE HOUSING	1	
11	A300069501	CABLE (LAMP) CP .....	1.....	REPLACES P/N A300069500
12	A300069601	CABLE (BALLAST) CP .....	1.....	REPLACES P/N A300069600
13	A300069700	CABLE (MAIN) CP	1	
14	A300069900	CABLE (JOINT) CP	1	
15#	E000012300	BOLT SET, CHR-50	8	

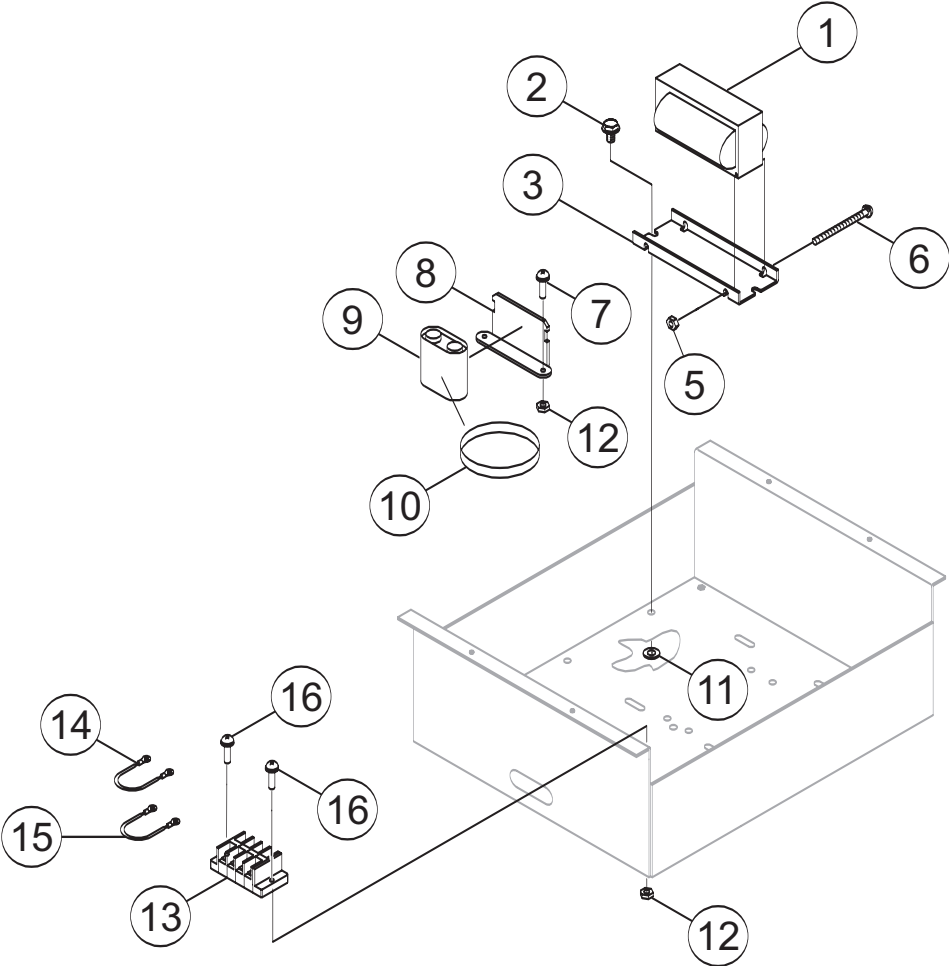
# ELECTRICAL ASSY. — OVAL LAMP (S/N G5000087 AND ABOVE)



## **ELECTRICAL ASSY. — OVAL LAMP (S/N G5000087 AND ABOVE)**

<u>NO.</u>	<u>PART NO.</u>	<u>PART NAME</u>	<u>QTY.</u>	<u>REMARKS</u>
1	E000112100	LAMP	4	
2	E000043101	LIGHTING UNIT L ASSY .....	2.....	INCLUDES ITEMS W/ #
3	E000043201	LIGHTING UNIT R ASSY .....	2.....	INCLUDES ITEMS W/ #
4#	E000045200	SEAL (PACKING)	4	
5#	E000045100	FRONT GLASS	4	
6#	E000045500	FRONT STOPPER.....	4.....	INCLUDES ITEMS W/ &
6A&	E000048300	HINGE SET	4	
6B&	E000048400	CRESCENT	12	
6C&	E000048500	GLASS STOPPER	12	
7#	E000045300	MIRROR	4	
8#	E000045400	ARM (LIGHTING UNIT)	4	
9#	E000048600	BOLT SET	8	
10#	E000048700	SOCKET BRACKET	4	
11#	E000009600	SOCKET	4	
12#	E000048800	FIN BRACKET	4	
13#	E000048900	FILTER	4	
14	0034116000	NUT (M16)	4	
15	0043116000	WASHER (M16)	4	
16	1042000230	SPRING	4	
17	1502180110	WASHER	8	
18	A300069502	CABLE (LAMP) CP	1	
19	1407021030	RECEPTACLE HOUSING	1	
20	A300069602	CABLE (BALLAST) CP	1	
21	A300069700	CABLE (MAIN) CP	1	
26	A300069900	CABLE (JOINT) CP	1	

**BALLAST ASSY.**



## BALLAST ASSY.

---

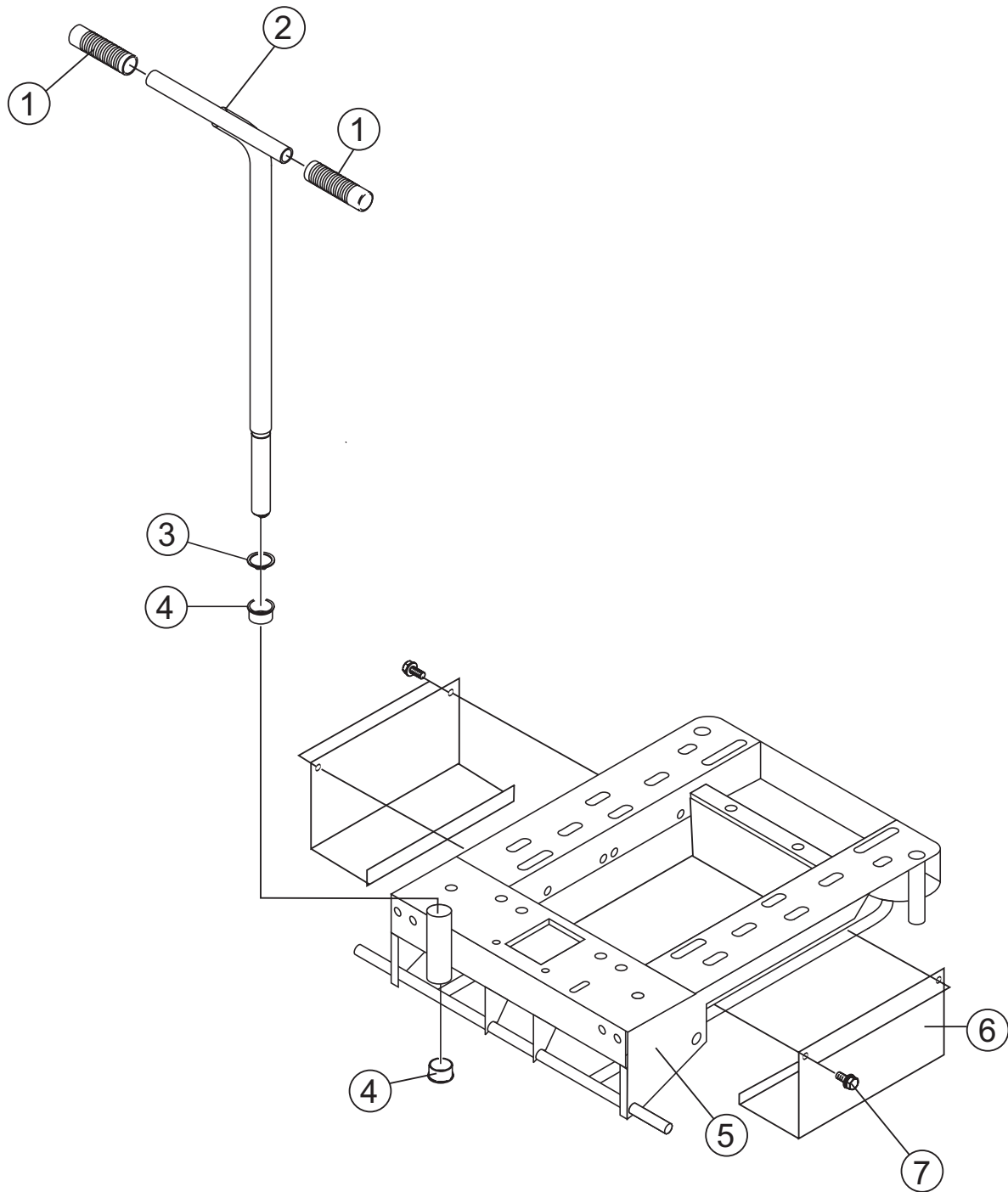
<u>NO.</u>	<u>PART NO.</u>	<u>PART NAME</u>	<u>QTY.</u>	<u>REMARKS</u>
1	A300069800	BALLAST ASSY	4	
2	0013505015	BOLT AND WASHER (M5 X 15).....	8.....	REPLACES P/N 0010506025
3	A300060801	HOLDER (BALLAST).....	4.....	REPLACES P/N A300060800
5	0033105000	NUT (M5)	16	
6	0020305065	SCREW AND WASHER (M5 X 65)	8	
7	0020304012	SCREW AND WASHER (M4 X 12)	4	
8	A400078900	HOLDER (CAPACITOR)	2	
9	E000032000	CAPACITOR	4	
10	E000031800	CLAMP	4	
11	0043105000	WASHER (M5)	16	
12	0033104000	NUT (M4)	6	
13	E000031600	TERMINAL	1	
14	A400081900	CABLE (JUMPER-W)	1	
15	A400082000	CABLE (JUMPER-B)	1	
16	0023104020	SCREW (M4 X 20)	2	



## MAIN MAST ASSY.

<u>NO.</u>	<u>PART NO.</u>	<u>PART NAME</u>	<u>QTY.</u>	<u>REMARKS</u>
1	A100028102	FIRST MAST.....	1.....	S/N G5000028 AND BELOW
1	A100028105	FIRST MAST.....	1.....	S/N G5000029 AND ABOVE
2	0013512025	BOLT AND WASHER (M12 x 25)	9	
3	1011000701	WINCH HM-G103	1	
4	1642001430	GROMMET	1	
5	0043112041	WASHER (12Dx40Dx3.2T)	1	
6	A200029800	SWITCH COVER .....	1.....	S/N G5000028 AND BELOW
6	A200036501	SWITCH COVER .....	1.....	S/N G5000029 AND ABOVE
7	0020334012	SCREW AND WASHER (M4 x 12) .....	3.....	S/N G5000028 AND BELOW
7	0020334012	SCREW AND WASHER (M4 x 12) .....	5.....	S/N G5000029 AND ABOVE
8	2002500430	BOLT (SUPPORT) (MK-440) .....	1.....	S/N G5000028 AND BELOW
9	0013112040	BOLT (M12 x 40)	1	
10	0033112000	NUT (M12)	1	
11	1052001710	HANGER	1	
12	0043212000	SPRING WASHER (M12)	1	
13	0043112000	WASHER (M12)	1	
14	1711080130	SHACKLE	2	

# T-HANDLE ASSY.

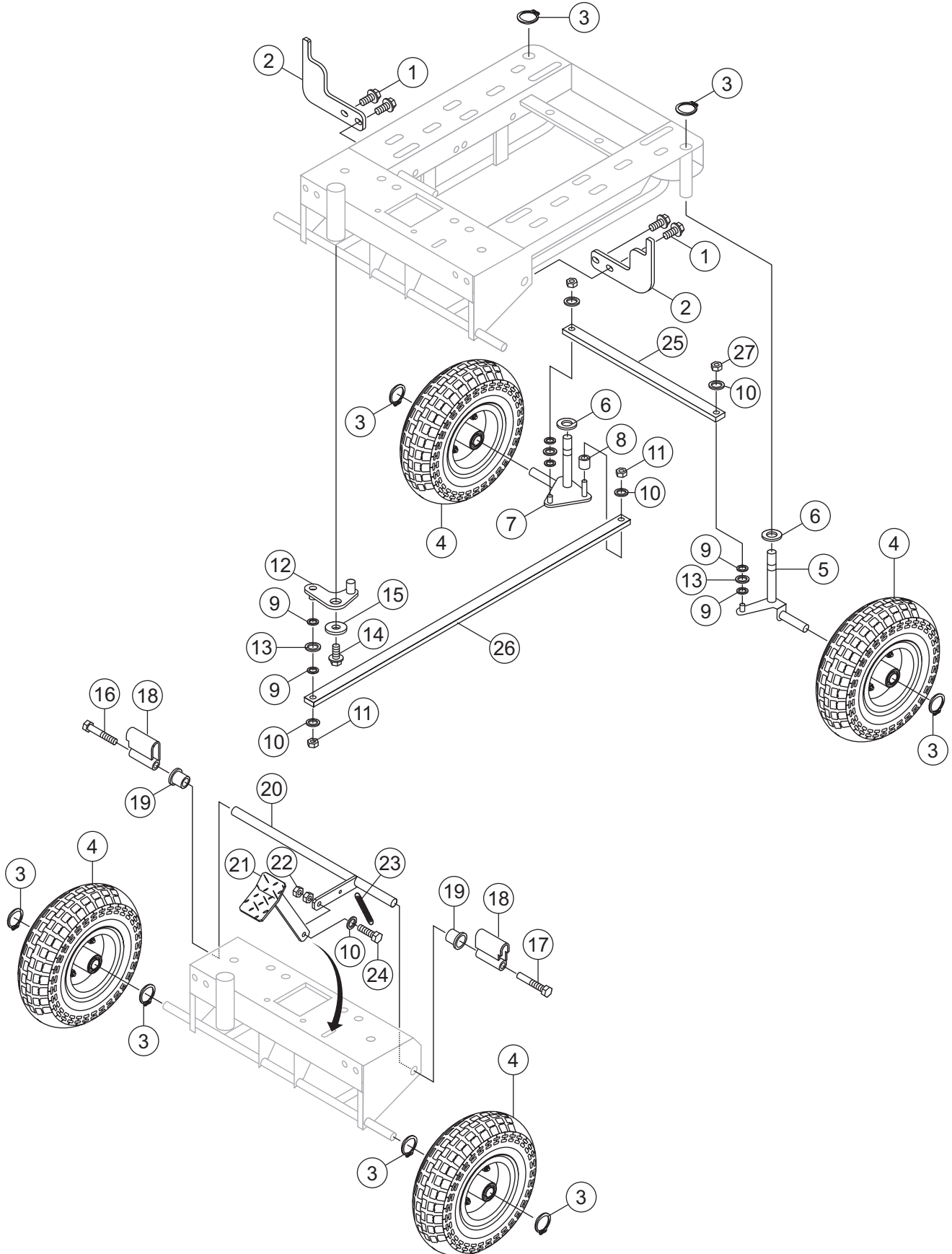


## T-HANDLE ASSY.

---

<u>NO.</u>	<u>PART NO.</u>	<u>PART NAME</u>	<u>QTY.</u>	<u>REMARKS</u>
1	1102700130	HANDLE GRIP	2	
2	A200023001	HANDLE	1	
3	0040730000	SNAP RING (30)	1	
4	1503300130	SLEEVE BEARING (30Dx34Dx20)	2	
5	A100018906	BASE PLATE .....	1.....	REPLACES P/N A100018903
6	A300087403	SIDE GUARD.....	2.....	S/N G5000029 AND ABOVE
7	0013508015	BOLT AND WASHER.....	4.....	S/N G5000029 AND ABOVE

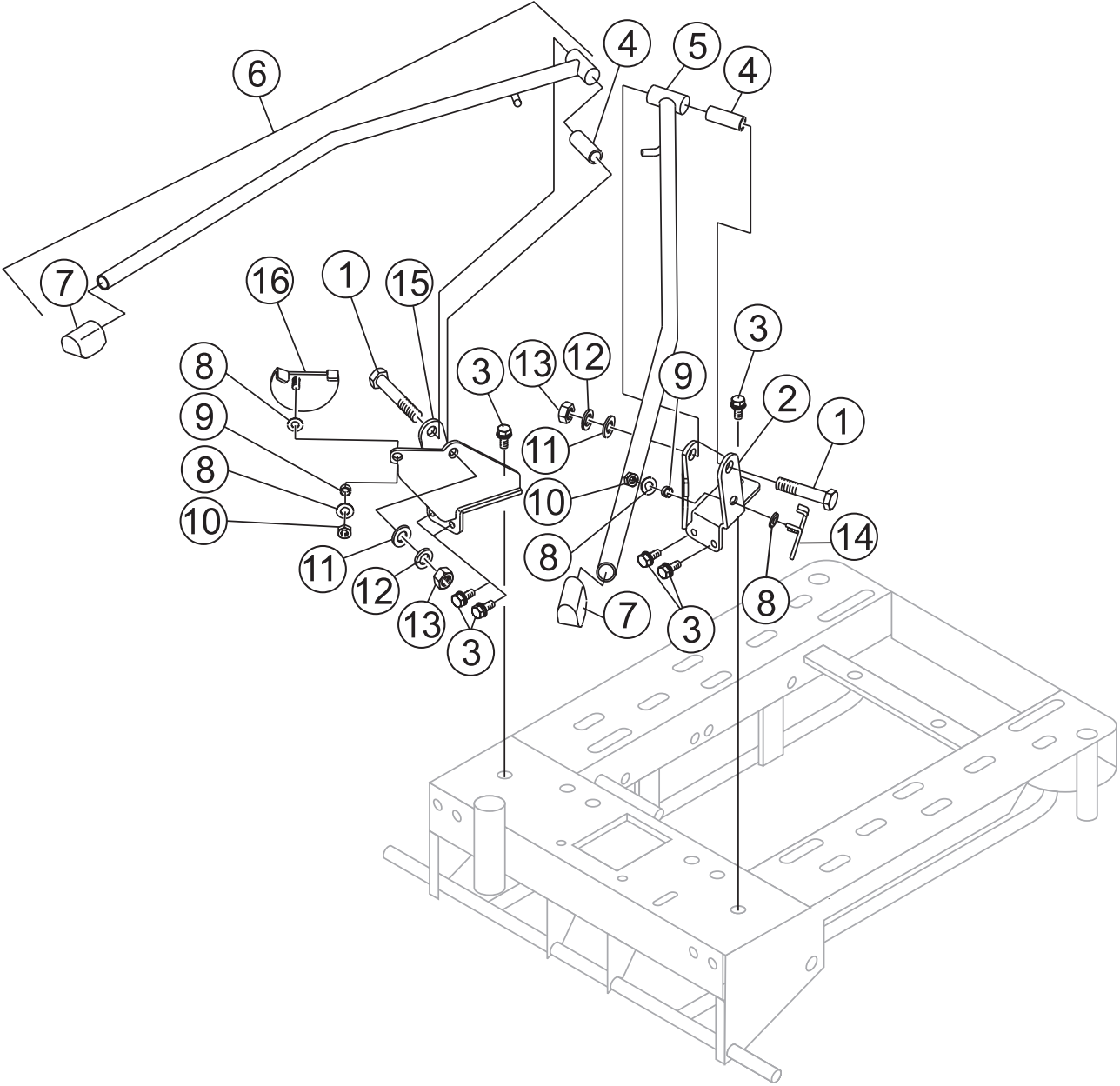
# STEERING ASSY.



## STEERING ASSY.

<u>NO.</u>	<u>PART NO.</u>	<u>PART NAME</u>	<u>QTY.</u>	<u>REMARKS</u>
1	0013510025	BOLT AND WASHER (M10X25)	10	
2	A400033402	CATCHER (OUTRIGGER)	2	
3	0040720000	SNAP RING (20)	8	
4	E000014500	TIRE ASSY (4.10/3.50-5)	4	
5	A200022803	FRONT SHAFT (R)	1	
6	E000031200	WASHER (20Dx36Dx1.5)	2	
7	A200022903	FRONT SHAFT (L)	1	
8	A400055101	SPACER	1	
9	1504120130	WASHER (12.5Dx18Dx0.5T)	8	
10	0043108000	WASHER (M8)	5	
11	0033208000	SELF-LOCK NUT (M8)	3	
12	A300090600	LINK (HANDLE) .....	1	REPLACES P/N A300046003
13	0043112000	WASHER (M12)	1	
14	0013512025	BOLT AND WASHER (M12x25)	1	
15	0043112041	WASHER (12Dx40Dx3.2T)	1	
16	1521120131	BOLT (M12x75) LEFT SCREW	1	
17	0013212075	BOLT (M12x75)	1	
18	2071214010	BRAKE	2	
19	1503180130	SLEEVE BEARING (18Dx20Dx20)	2	
20	2071213211	BRAKE SHAFT	1	
21	2001200313	BRAKE PEDAL	1	
22	0033108000	NUT (M8)	2	
23	1041000131	SPRING (BRAKE)	1	
24	0010308030	BOLT (M8x30) SUS	1	
25	A400055501	LINK (FRONT SHAFT)	1	
26	A400055401	LINK (STEERING)	1	
27	0030808000	PUSH NUT (8)	3	

**OUTRIGGER ASSY.**

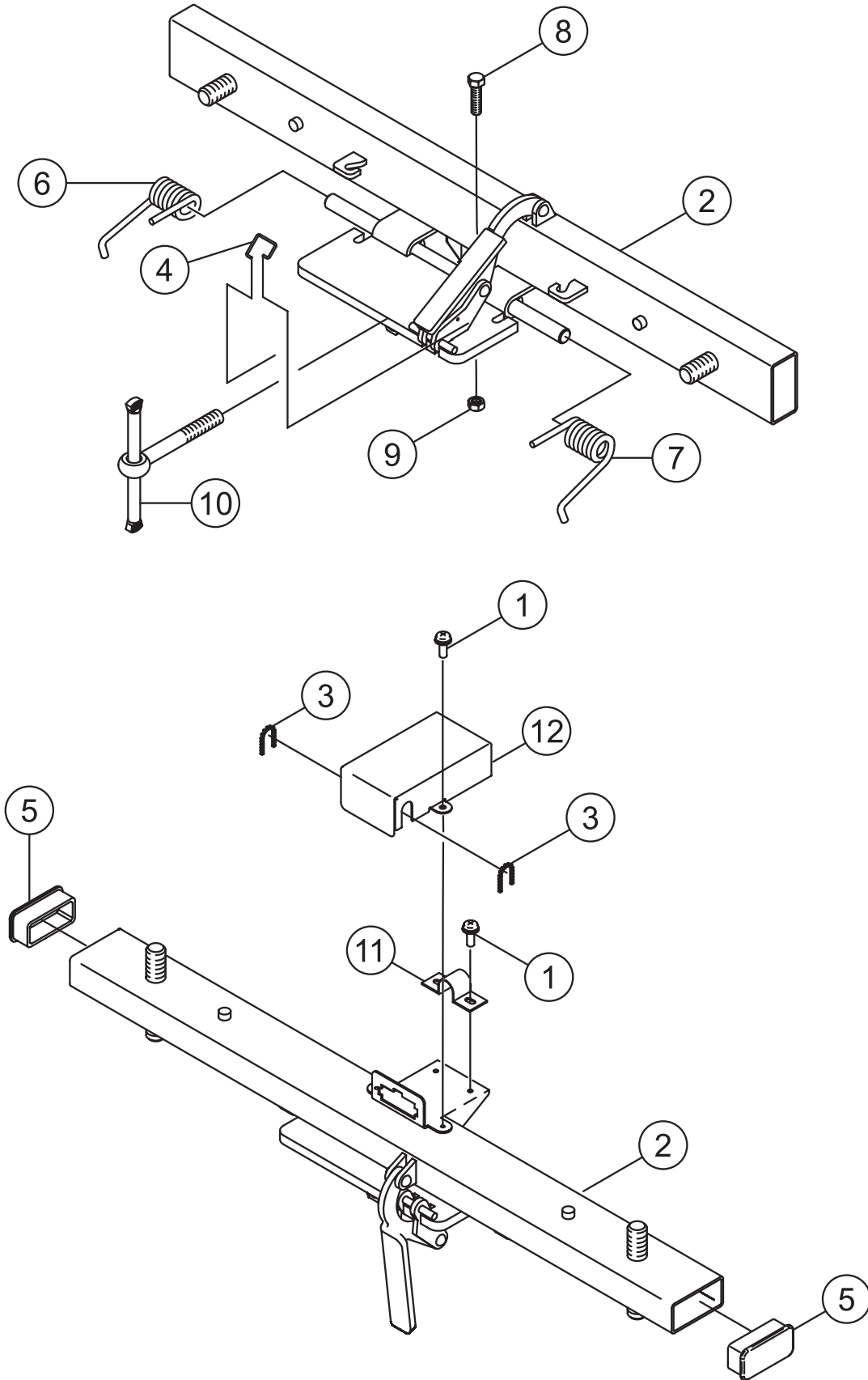


## OUTRIGGER ASSY.

---

<u>NO.</u>	<u>PART NO.</u>	<u>PART NAME</u>	<u>QTY.</u>	<u>REMARKS</u>
1	0013116090	BOLT (M16x90)	2	
2	A100011601	BRACKET (OUT, R) R	1	
3	0013510025	BOLT & WASHER (M10x25)	10	
4	1501160111	SPACER (OUT, R)	2	
5	A200015302	OUTRIGGER R.....	1.....	INCLUDES ITEM W/ *
6	A200015202	OUTRIGGER L.....	1.....	INCLUDES ITEM W/ *
7*	1641000330	RUBBER FOOT	2	
8	0043110000	WASHER (M10)	4	
9	1501100430	SPACER (10.2Dx13.8Dx6.5L)	2	
10	0033210000	SELF LOCK NUT (M10)	2	
11	0043116000	WASHER (M16)	2	
12	0043216000	SPRING WASHER (M16)	2	
13	0033116000	NUT (M16)	2	
14	2031321113	WEIGHT (OUT, R) R	1	
15	A100011501	BRACKET (OUT, R) L	1	
16	2031320213	WEIGHT (OUT, R) L	1	

# MAST ADAPTER ASSY.

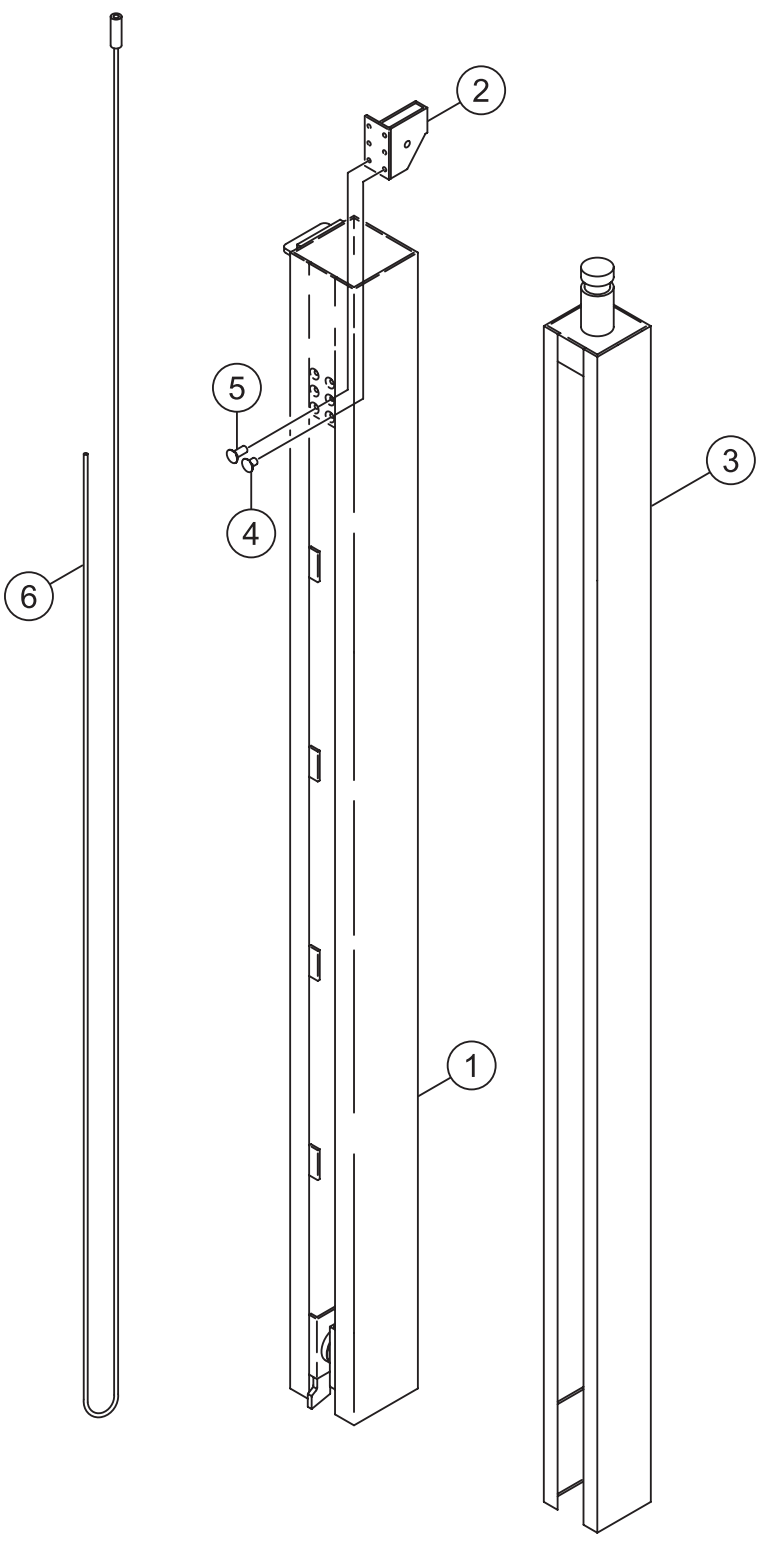


## MAST ADAPTER ASSY.

---

<u>NO.</u>	<u>PART NO.</u>	<u>PART NAME</u>	<u>QTY.</u>	<u>REMARKS</u>
1	0023304012	SCREW & WASHER (M4 X 12)	4	
2	2202350110	LAMP STAND CP (ROUND LAMP) .....	1	S/N G5000086 AND BELOW
2	A100030804	LAMP STAND CP (OVAL LAMP) .....	1	S/N G5000087 AND ABOVE
3	1643000110	FREE BUSH	2	
4	1045000130	SPRING (LEVER)	1	
5	1652000131	CAP	2	
6	1043001230	SPRING (LAMP STAND) L	1	
7	1043001330	SPRING (LAMP STAND) R	1	
8	0010308030	BOLT (M8 X 30)	1	
9	0033108000	NUT (M8)	4	
10	2072310113	ADJUST LEVER (LAMP STAND)	1	
11	1603000130	CLAMP	1	
12	2072400510	CONNECTOR COVER	1	

**MAST SECTION ASSY.**



**MAST SECTION ASSY.**

---

<u>NO.</u>	<u>PART NO.</u>	<u>PART NAME</u>	<u>QTY.</u>	<u>REMARKS</u>
1	A200027200	SECOND MAST	1	
2	2002262010	BRACKET (PULLEY) .....	1.....	MAST SECTION 2
3	A200027301	THIRD MAST .....	1.....	REPLACES P/N A200027300
4	0023204006	SCREW (M4x6)	6	
5	0023204010	SCREW (M4x10)	6	
6	1031040113	WIRE ROPE (4Dx4800L)	1	