

OPERATION AND PARTS MANUAL



GloBug Solo **MODEL GB114BW** **LIGHTING SYSTEM**

Revision #6 (06/16/16)

THIS MANUAL MUST ACCOMPANY THE EQUIPMENT AT ALL TIMES.

TABLE OF CONTENTS

MQ GLOBUG SOLO LIGHTING SYSTEM

Table Of Contents	2
Parts Ordering Procedures	3
Safety Information	4-7
Specifications	8
Dimensions	9
Floodlight Footcandle Plots	10-12
General Information	13
Components	14-15
Pre-Setup	16-17
Operation	18
Shutdown	19
Maintenance	20-25
Troubleshooting (Lamps)	26
Troubleshooting (Mast)	27
Wiring Diagram (S/N G20070 and below)	28
Wiring Diagram (S/N G20071 and above)	29
Explanation Of Codes In Remarks Column	30
Suggested Spare Parts	31

COMPONENT DRAWINGS

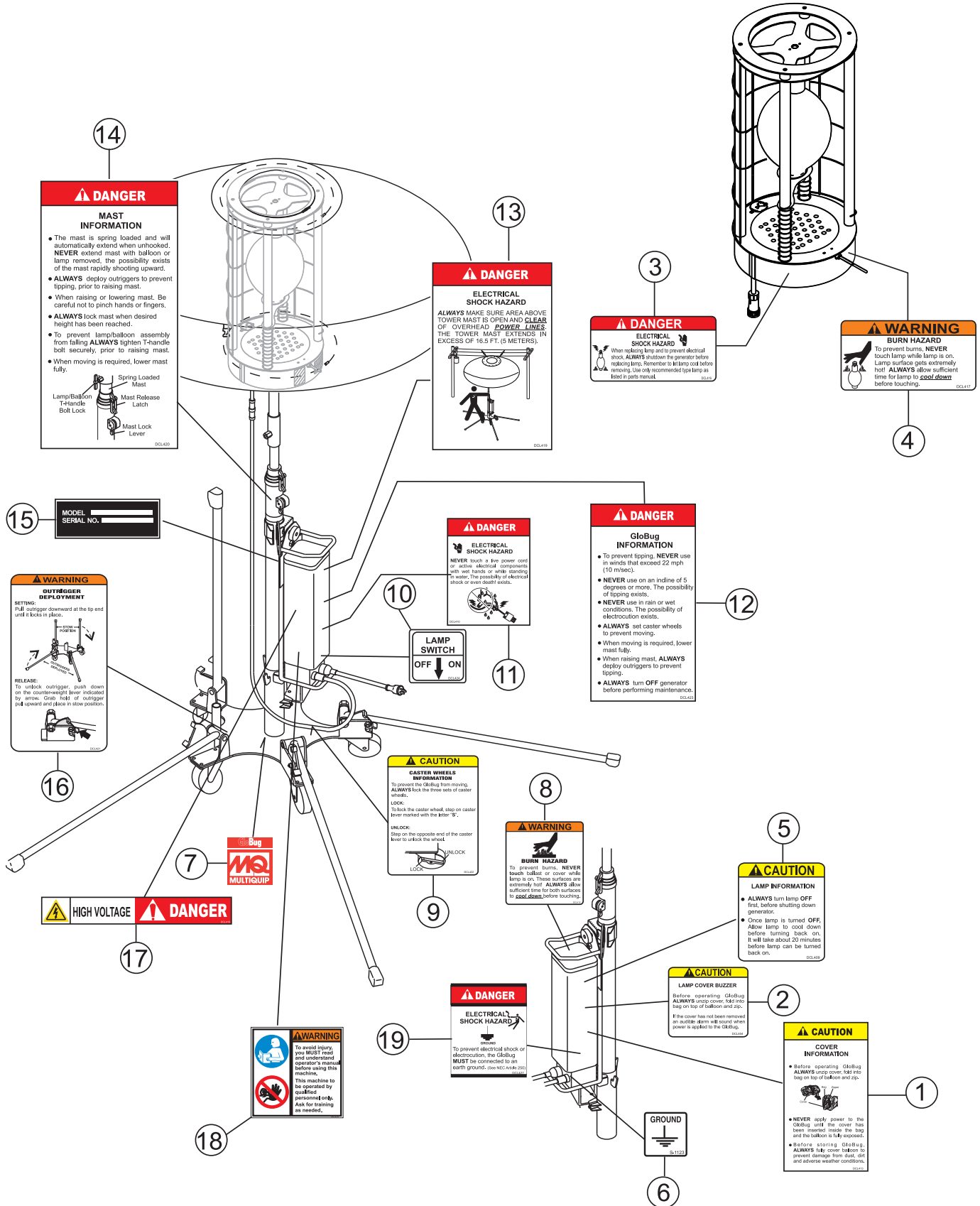
Name Plate and Decals	32-33
Base Assy.	34-35
Mast Assy.	36-37
Ballast Assy. (S/N G20040 and below)	38-39
Ballast Assy. (S/N G20041 to G20070)	40-41
Ballast Assy. (S/N G20071 and above)	42-43
Fan Blower/Lamp Base Assy.	44-45
Balloon/Lamp Guard Assy.	46-47
Terms and Conditions Of Sale — Parts	48

GLOBUG SOLO LIGHTING SYSTEM — SUGGESTED SPARE PARTS

GloBug Solo LIGHTING SYSTEM *1 TO 3 UNITS*

<u>Qty.</u>	<u>P/N</u>	<u>Description</u>
2	E000009800	BULB
2	A300033800	BALLAST/TRANSFORMER
2	A300038400	22 μ F CAPACITOR, @480 VDC
2	GBBAL115D	BALLOON CLOTH, DRUM-SHAPED

GLOBUG SOLO LIGHTING SYSTEM — NAMEPLATE AND DECALS



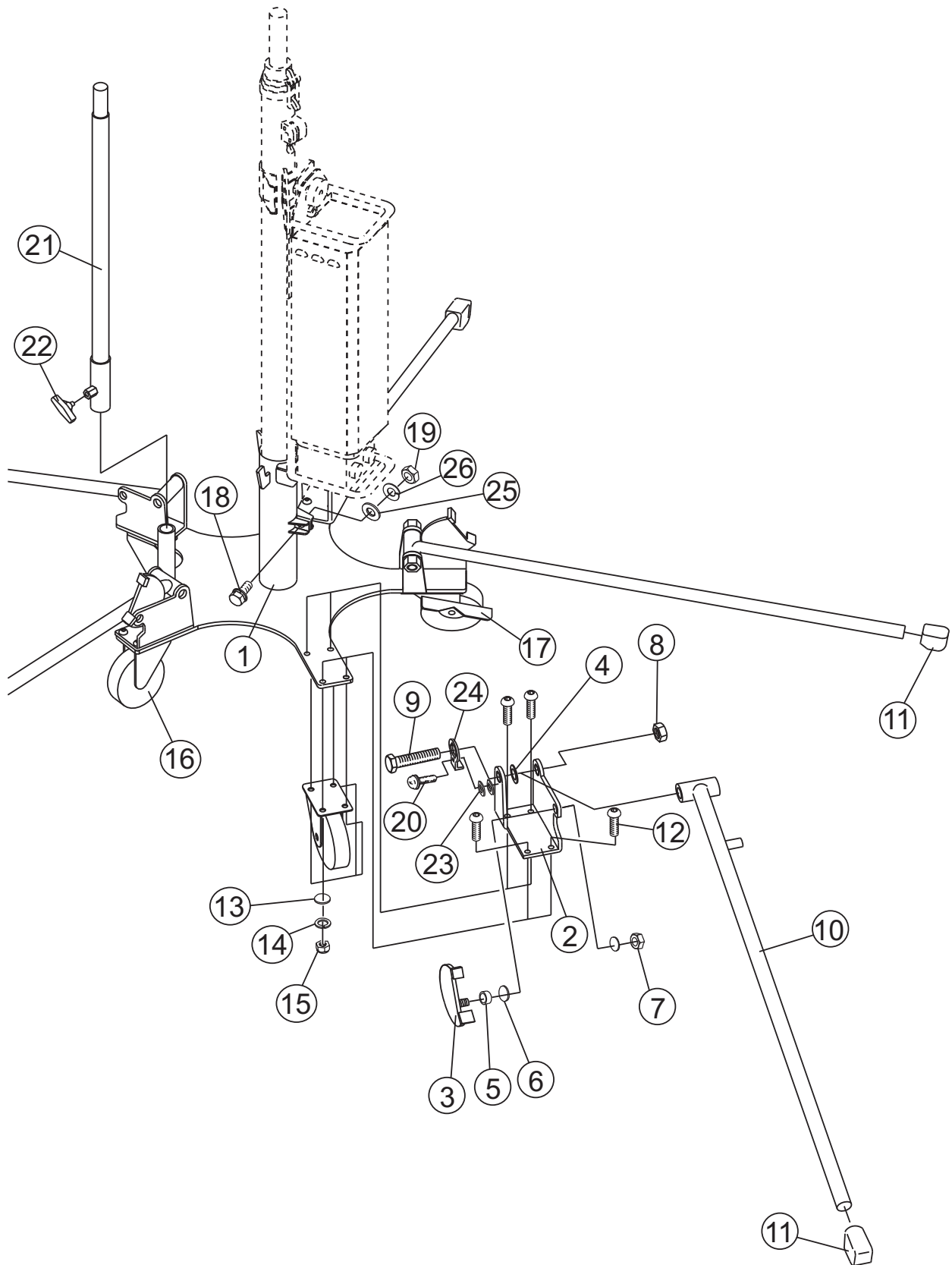
GLOBUG SOLO LIGHTING SYSTEM — NAMEPLATE AND DECALS

NAMEPLATE AND DECALS.

<u>NO.</u>	<u>PART NO.</u>	<u>PART NAME</u>	<u>QTY.</u>	<u>REMARKS</u>
1	DCL413	DECAL; CAUTION COVER INFORMATION	1	
2	DCL404	DECAL; CAUTION LAMP COVER BUZZER	1	
3	DCL416	DECAL; DANGER, ELECTRICAL SHOCK HAZ.	1	
4	DCL417	DECAL; WARNING, BURN HAZARD (LAMP)	1	
5	DCL409	DECAL; CAUTION, LAMP INFORMATION	1	
6	0800628504	DECAL; GROUND	1	
7	DCL429	DECAL; GLOBUG MQ LOGO	1	
8	DCL415	DECAL; BURN HAZARD (BALLAST)	1	
9	DCL422	DECAL: CASTER WHEELS INFORMATION	1	
10	DCL424	DECAL: LAMP SWITCH ON/OFF	1	
11	DCL410	DECAL; DANGER, ELECTRICAL SHOCK (CORDS)	1	
12	DCL423	DECAL; DANGER, GLOBUG INFORMATION	1	
13	DCL419	DECAL; DANGER, ELECTRICAL SHOCK HAZARD	1	
14	DCL420	DECAL: DANGER, MAST INFORMATION	1	
15		NAMEPLATE	1 CONTACT MQ PARTS DEPT.
16	DCL421	DECAL; WARNING, OUTRIGGER DEPLOYMENT	1	
17	DCL418	DECAL; DANGER, HIGH VOLTAGE	1	
18	35137	DECAL; WARNING, READ MANUAL	1	
19	DCL427	DECAL; DANGER, ELECTRICAL SHOCK HAZARD	1	

GLOBUG SOLO LIGHTING SYSTEM — BASE ASSY.

BASE ASSY.



GLOBUG SOLO LIGHTING SYSTEM — BASE ASSY.

BASE ASSY.

<u>NO.</u>	<u>PART NO.</u>	<u>PART NAME</u>	<u>QTY.</u>	<u>REMARKS</u>
1	A100012302	BASE	1	REPLACES P/N A100012300 AND S/N A100012301
2	A200017801	BRACKET (OUT, R)	5	REPLACES P/N A200017800
3	2031320213	WEIGHT (OUT, R) L	5	
4	A400073100	WASHER	20	REPLACES P/N A400038700
5	1501100430	SPACER	5	
6	0043110000	WASHER (M10)	11	REPLACES P/N 0040110000
7	0033210000	SELF LOCK NUT (M10)	5	REPLACES P/N 0030210000
8	0033216000	SELF LOCK NUT (M16)	5	REPLACES P/N 0030216000
9	0013216090	BOLT (M16x90)	5	REPLACES P/N 0010116090
10	A300033100	OUTRIGGER	5	S/N G20040 AND BELOW
10	A300033101	OUTRIGGER	5	S/N G20041 AND ABOVE
11	1641000330	RUBBER (OUT, R)	5	
12	0014708025	BUTTON SCREW (M8x25)	30	
13	0043108000	WASHER (M8)	30	
14	0043208000	SPRING WASHER (M8)	30	
15	0033108000	NUT (M8)	30	REPLACES P/N 0030108000
16	E000008800	CASTER	2	
17	E000008900	CASTER (STOPPER)	3	
18	0010510030	BOLT AND WASHER (M10x30)	1	S/N G20040 AND BELOW
18	0010110045	BOLT (M10x45)	1	S/N G20041 AND ABOVE
19	0030110000	NUT (M10)	1	
20	0010506020	BOLT AND WASHER (M6x20)	5	
21	A300030900	EXTENSION POLE	1	
22	2202751110	KNOB LEVER	1	
23	0040106000	WASHER (M6)	10	
24	A400037800	STOPPER PLATE	1	
25	0040110000	WASHER (M10)	1	S/N G20041 AND ABOVE
26	0040210000	SPRING WASHER (M10)	1	S/N G20041 AND ABOVE

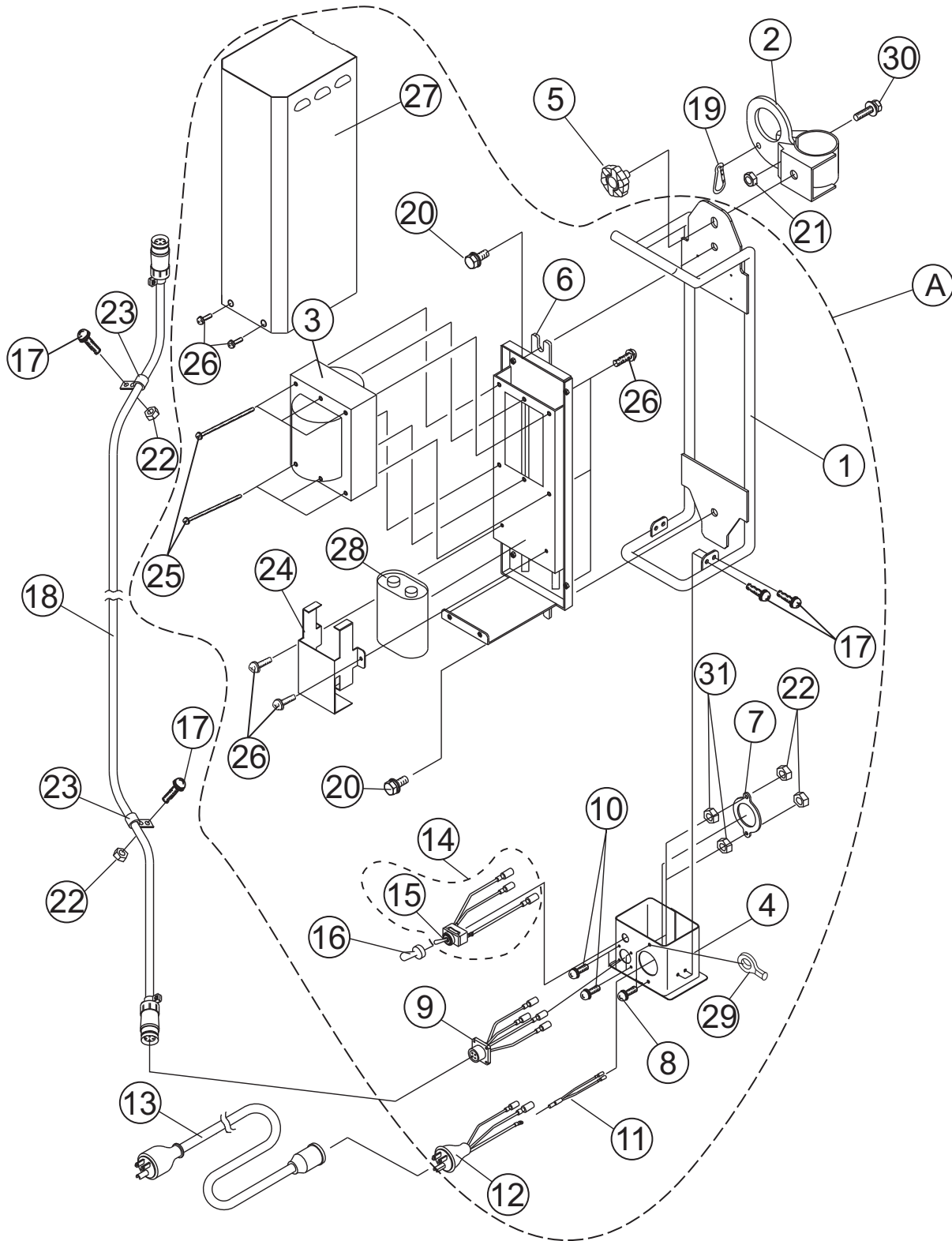
GLOBUG SOLO LIGHTING SYSTEM — MAST ASSY.

MAST ASSY.

<u>NO.</u>	<u>PART NO.</u>	<u>PART NAME</u>	<u>QTY.</u>	<u>REMARKS</u>
1	A200014303	POLE 1	1	REPLACES P/N A200014300
2	A300027701	POLE 2	1	
3	A300027801	POLE 3	1	REPLACES P/N A300027800
4	1020000200	GAS SPRING	1	
5	A300027900	BRACKET (PULLEY)	1	
6	A400032100	PIN (GAS SPRING)	1	
7	A400032000	SLIDER (GAS SPRING)	1	
8	A400034303	WIRE	1	REPLACES P/N A400034300
9	A400031801	BLIND PLUG 2	1	
10	A400031902	BLIND PLUG 3	1	REPLACES P/N A400031901
11	A400032200	BEARING HOLDER	1	
12	A400035500	WASHER	2	
13	A400035600	BRACKET (GAS SPRING)	1	
14	A400161800	NUT 1	1	REPLACES P/N A400031602
15	A400161900	NUT 2	1	REPLACES P/N A400031702
16	A400030400	LEVER (CHOKE)	1	S/N G20040 AND BELOW
16	A400030500	LEVER (CHOKE)	1	S/N G20041 AND ABOVE
17	A400028801	PLATE (CHOKE)	1	
18	A400030600	COVER (CHOKE)	1	
19	A400033702	RING (CHOKE)	1	REPLACES P/N A400033700
20	0040608010	E-CLIP	1	
21	0023304030	SCREW & WASHER (M4x30)	2	REPLACES P/N 0020304030
22	0040722000	SNAP RING (OUTER)	2	
23	E000009200	BALL BEARING	1	
24	0040822000	SNAP RING (INNER)	1	
25	0013806008	FLANGE BOLT (M6x8)	2	REPLACES P/N 0010806008
26	0033208000	SELF LOCK NUT (M8)	1	
27	0033105000	NUT (M5)	2	
28	0024704010	SET SCREW (M4x10)	1	REPLACES P/N 0021804010
29	0024704008	SET SCREW (M4x8)	2	REPLACES P/N 0021804008
30	0023106035	SCREW (M6x35)	2	REPLACES P/N 0020106035
31	0033306000	CAP NUT (M6)	1	REPLACES P/N 0030306000
32	0025304008	SCREW & WASHER (M4x8)	4	REPLACES P/N 0020304008
33	E000007400	HOLE PLUG	1	REPLACES P/N E000007200
34	E000008700	LONG SHACKLE	1	
35	0023104010	SCREW (M4x10)	2	REPLACES P/N 0020104010
36	A400075801	HOOK	1	S/N G20071 AND ABOVE
37	0021708010	SET SCREW (M8X10)	1	S/N G20071 AND ABOVE
38	A400070600	SPRING (HOOK)	1	S/N G20071 AND ABOVE
39	0043110000	WASHER (M10)	4	

GLOBUG SOLO — BALLAST ASSY. (S/N G20040 & BELOW)

BALLAST ASSY.

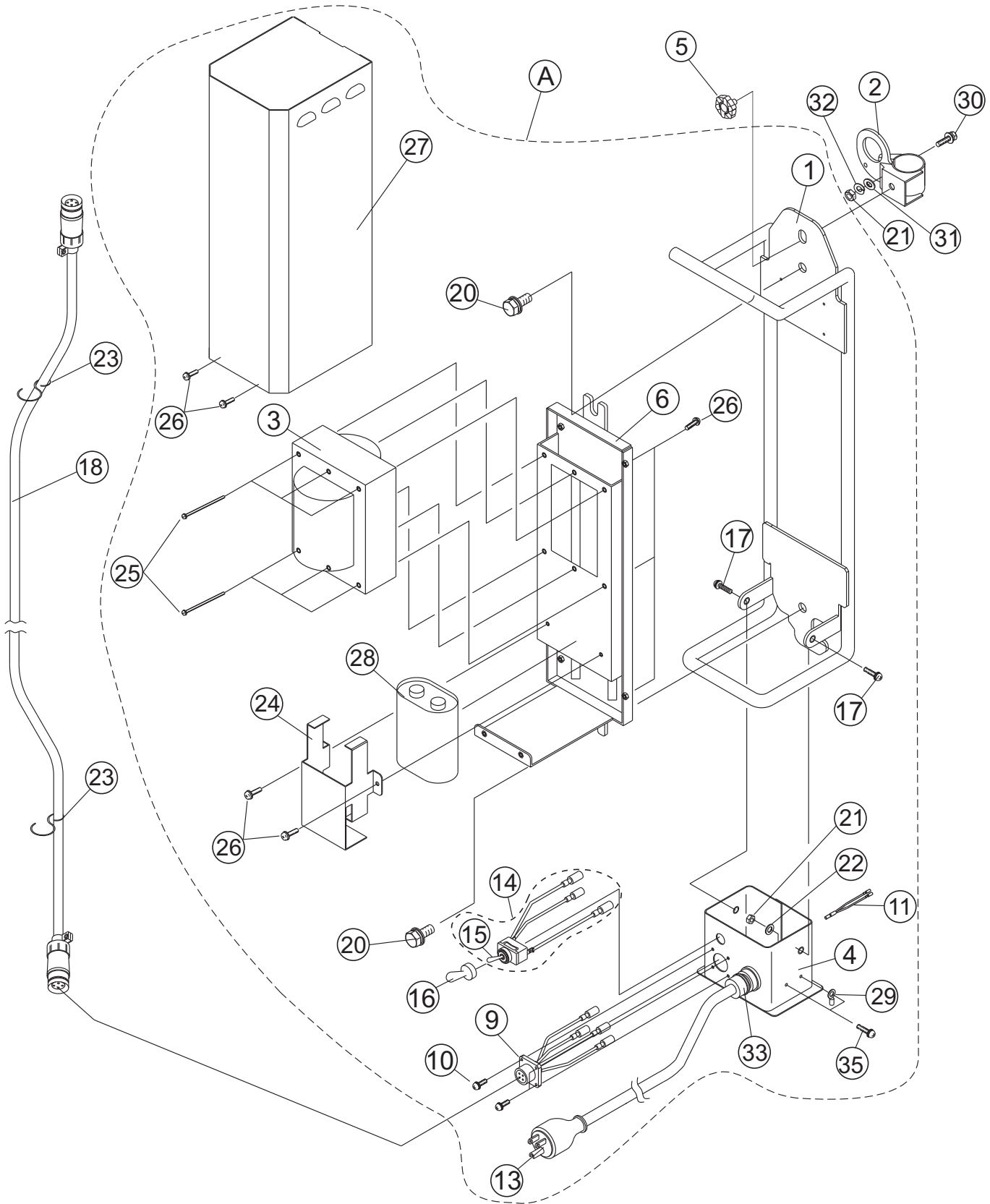


GLOBUG SOLO — BALLAST ASSY. (S/N G20040 & BELOW)

BALLAST ASSY.

<u>NO.</u>	<u>PART NO.</u>	<u>PART NAME</u>	<u>QTY.</u>	<u>REMARKS</u>
A	A000017700	BALLAST ASSY	1	INCLUDES ITEMS W/ \$
1\$	A100010202	FRAME	1	
2	A100010601	HOLDER (BALLAST)	1	
3\$	A300033800	BALLAST (TRANSFORMER) CP	1	INCLUDES ITEM W/ #
4\$	A200016900	CASE (WIRE)	1	
5	E000024600	KNOB	1	REPLACES P/N E000009100
6\$	A200018100	CASE (BALLAST) 1 CP	1	
7\$	A400035200	HOLDER (PLUG)	1	
8\$	0020304015	SCREW & WASHER (M4x15)	2	
9\$	A400037600	CABLE (LAMP) CP, QUICK DISC.	1	
10\$	0020503012	SCREW & WASHER (M3x12)	4	
11\$	A400038200	CABLE (JOINT)	1	
12\$	A400035800	PLUG CP	1	
13	A300034700	CABLE (MAIN) CP	1	
14\$	A400037500	SWITCH ASSY.....	1	INCLUDES ITEM W/ *
15\$*	E000036400	TOGGLE SWITCH	1	REPLACES P/N 1406000610
16\$	1406000700	RUBBER CAP	1	
17	0020104008	SCREW & WASHER (M4x8)	4	
18	A300034800	CABLE (LAMP) CP	1	
19	2204510260	SNAP HOOK	1	
20\$	0013510025	BOLT & WASHER (M10x25)	2	
21	0033110000	NUT (M10)	1	REPLACES P/N 0030110000
22	0033104000	NUT (M4)	3	
23	A400034100	CLAMP	2	
24\$	A200018200	HOLDER	1	
25\$	0023305090	SCREW & WASHER (M5x90)	6	
26\$	0023304012	SCREW & WASHER (M4x12)	10	
27\$	A100013500	CASE (BALLAST) 2 CP	1	
28\$#	19598	CAPACITOR, 24 μ F @ 480 VDC	1	
29\$	1367020430	GROUNDING TERMINAL	1	
30	0013510025	BOLT AND WASHER (M10 X 25)	1	
31	0030105000	NUT (M5)	2	

GLOBUG SOLO — BALLAST ASSY. (S/N G20041 - G20070)

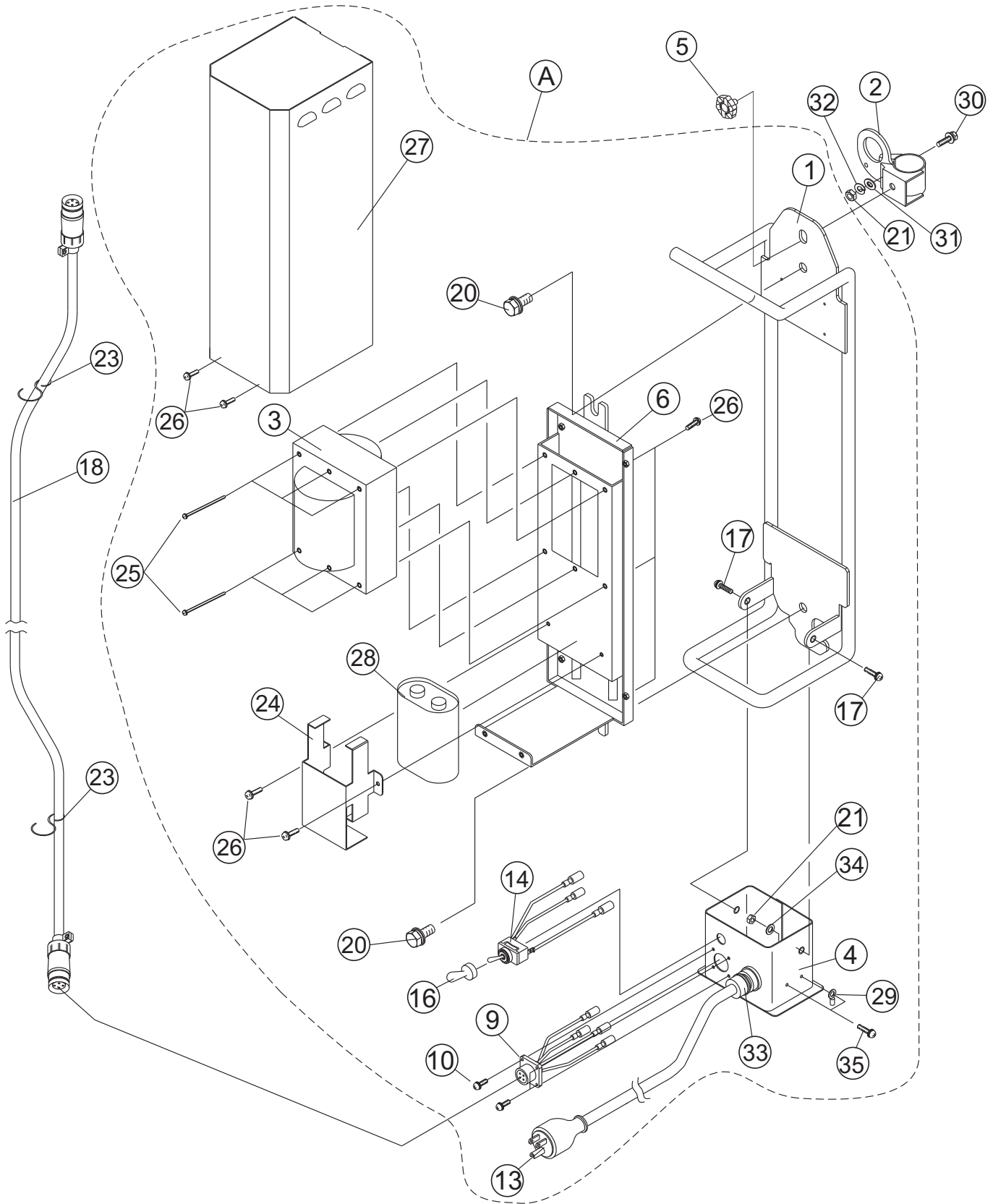


GLOBUG SOLO — BALLAST ASSY. (S/N G20041 - G20070)

BALLAST ASSY.

<u>NO.</u>	<u>PART NO.</u>	<u>PART NAME</u>	<u>QTY.</u>	<u>REMARKS</u>
A	A000017701	BALLAST ASSY	1	INCLUDES ITEMS W/ \$
1\$	A100015401	FRAME	1	
2	A100010602	HOLDER (BALLAST)	1	
3\$	A300033800	BALLAST (TRANSFORMER) CP	1	INCLUDES ITEM W/ #
4\$	A200020904	CASE (WIRE)	1	
5	E000024600	KNOB	1	REPLACES P/N E000009100
6\$	A200018100	CASE (BALLAST) 1 CP	1	
9\$	A400037600	CABLE (LAMP) CP, QUICK-DISC	1	
10\$	0023303008	SCREW & WASHER (M3x8)	4	REPLACES P/N 0020303008
11\$	A400038200	CABLE (JOINT)	1	
13\$	A300066700	CABLE (MAIN-GB5)	1	
14\$	A400037502	SWITCH ASSY.	1	INCLUDES ITEMS W/ *
15\$*	E000036400	TOGGLE SWITCH	1	REPLACES P/N 1406000610
16\$	1406000700	RUBBER CAP	1	
17	0023306012	SCREW & WASHER (M6X12)	2	
18	A300034800	CABLE (LAMP) CP	1	
20	0013510025	BOLT & WASHER (M10x25)	2	
21	0033110000	NUT (M10)	1	REPLACES P/N 0030110000
22	0033104000	NUT (M4)	3	
23	E000028200	S HOOK	2	
24\$	A200018200	HOLDER	1	
25\$	0023305090	SCREW & WASHER (M5x90)	6	
26\$	0023304012	SCREW & WASHER (M4x12)	10	
27\$	A100013500	CASE (BALLAST) 2 CP	1	
28\$#	19598	CAPACITOR, 24 μ F @ 480 VDC	1	
29\$	1367020430	GROUNDING TERMINAL	1	
30	0013110035	BOLT (M10 X 35)	1	
31	0043110000	WASHER (M10)	1	
32	0043210000	SPRING WASHER (M10)	1	
33	E000010400	CABLE CLAMP	1	
34	0043210000	SPRING WASHER	1	
35	0023304012	SCREW AND WASHER (M4 X 12)	2	

GLOBUG SOLO — BALLAST ASSY. (S/N G20071 AND ABOVE)



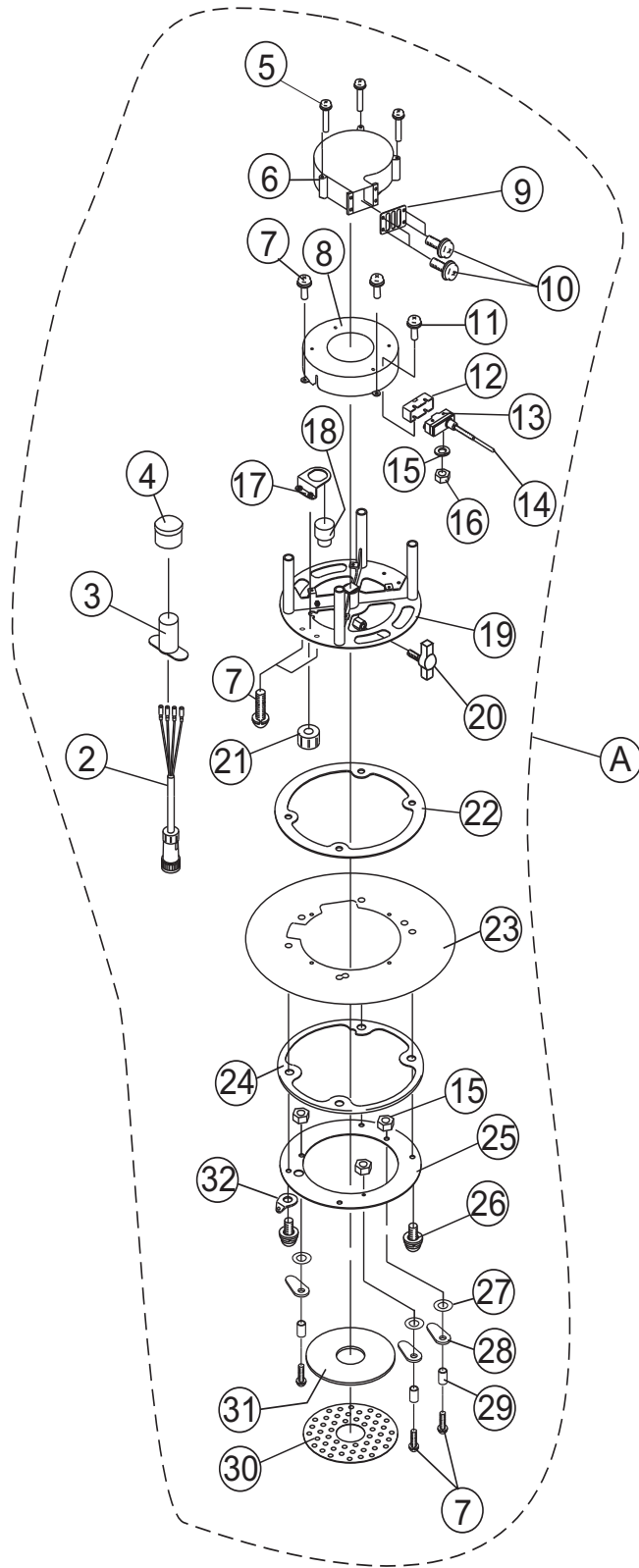
GLOBUG SOLO — BALLAST ASSY. (S/N G20071 AND ABOVE)

BALLAST ASSY.

<u>NO.</u>	<u>PART NO.</u>	<u>PART NAME</u>	<u>QTY.</u>	<u>REMARKS</u>
A	A000017702	BALLAST ASSY	1	INCLUDES ITEMS W/ \$
1\$	A100015401	FRAME	1	
2	A100010602	HOLDER (BALLAST)	1	
3\$	A300033800	BALLAST (TRANSFORMER) CP	1	INCLUDES ITEM W/ #
4\$	A200020904	CASE (WIRE)	1	
5	E000024600	KNOB	1	REPLACES P/N E000009100
6\$	A200018100	CASE (BALLAST) 1 CP	1	
9\$	A400079400	CABLE (LAMP) CP, THREADED	1	
10\$	0023303008	SCREW & WASHER (M3x8)	4	REPLACES P/N 0020303008
13\$	A300066700	CABLE (MAIN-GB5)	1	
14\$	A400037502	SWITCH ASSY.	1	
16\$	1406000700	RUBBER CAP	1	
17	0023306012	SCREW & WASHER (M6X12)	2	
18	A300066900	CABLE (LAMP) CP	1	
20	0013510025	BOLT & WASHER (M10x25)	2	
21	0033110000	NUT (M10)	1	REPLACES P/N 0030110000
22	0033104000	NUT (M4)	1	
23	E000028200	S HOOK	2	
24\$	A200018200	HOLDER	1	
25\$	0023305090	SCREW & WASHER (M5x90)	6	
26\$	0023304012	SCREW & WASHER (M4x12)	10	
27\$	A100013500	CASE (BALLAST) 2 CP	1	
28\$#	19598	CAPACITOR, 24 μ F @ 480 VDC	1	
29\$	1367020430	GROUNDING TERMINAL	1	
30	0013110035	BOLT (M10 X 35)	1	
31	0043110000	WASHER (M10)	1	
32	0043210000	SPRING WASHER (M10)	1	
33	E000045000	CABLE CLAMP	1	
34	0043204000	SPRING WASHER	1	
35	0023304012	SCREW AND WASHER (M4 X 12)	2	

GLOBUG SOLO LIGHTING SYSTEM — FAN BLOWER/LAMP BASE ASSY.

FAN BLOWER/LAMP BASE ASSY.



GLOBUG SOLO LIGHTING SYSTEM — FAN BLOWER/LAMP BASE ASSY.

FAN BLOWER/LAMP BASE ASSY.

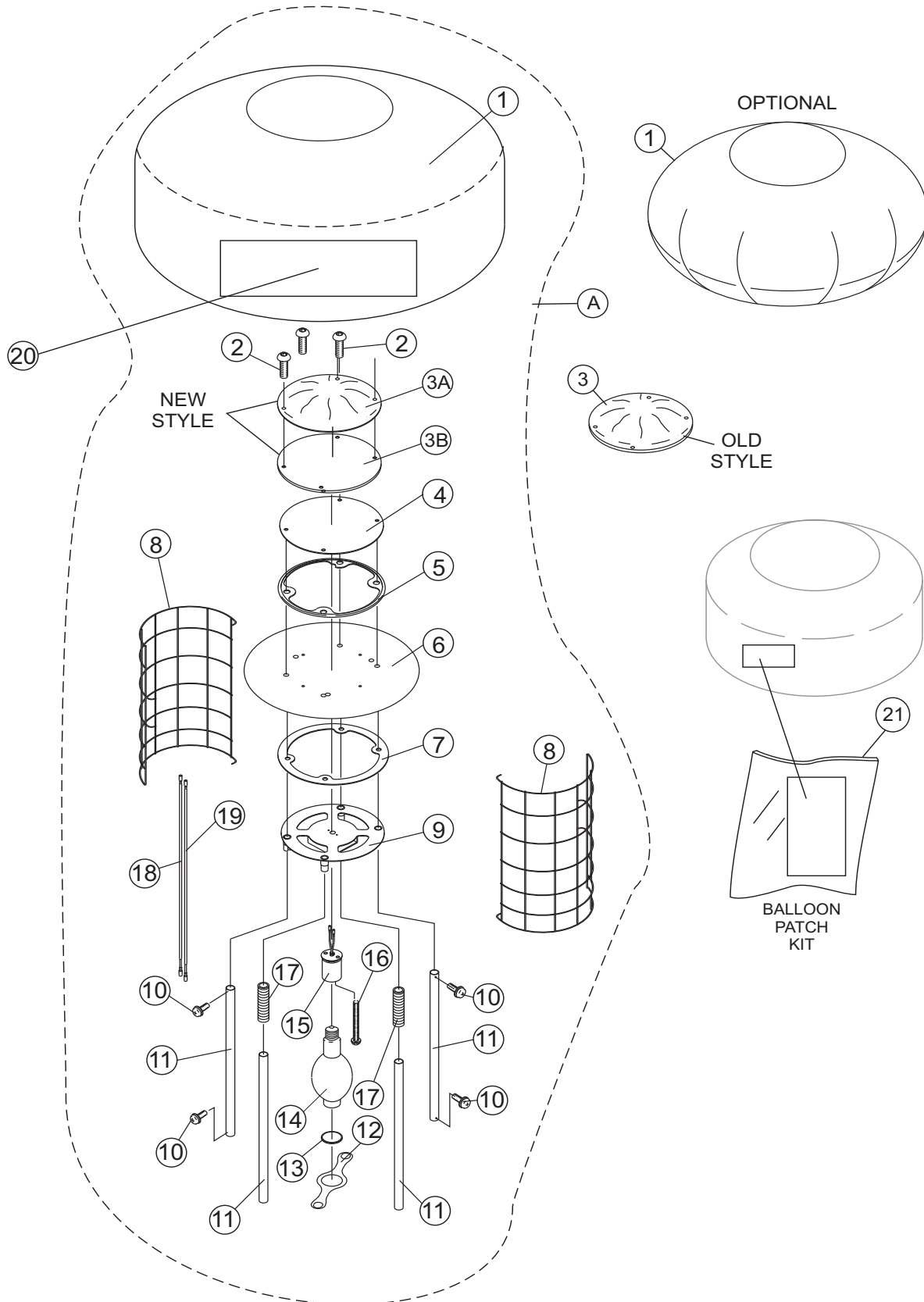
<u>NO.</u>	<u>PART NO.</u>	<u>PART NAME</u>	<u>QTY.</u>	<u>REMARKS</u>
A	A000017600	BALLOON ASSY	1	S/N G20070 AND BELOW SEE NOTE 1 BELOW
A	A000017601	BALLOON ASSY	1	S/N G20071 AND ABOVE SEE NOTE 2 BELOW
2\$	A300033600	CABLE 1 (BALLOON) CP, QUICK-DISC	1	S/N G20070 AND BELOW
2%	A300105500	CABLE 1 (BALLOON) CP, THREADED	1	S/N G20071 AND ABOVE
3#	A400038901	COVER (WIRE)	1	
4#	E000011900	COVER	1	
5#	0023305060	SCREW & WASHER (M5x60)	3	
6#	A300033500	FAN MOTOR CP	1	
7#	0024304008	SCREW (M4x8)	9	
8#	A200017702	FAN SUPPORT	1	
9#	A400037400	GUARD (FAN)	1	
10#	0023105008	SCREW (M5x8)	4	
11#	0023204030	SCREW (M4x30)	2	
12#	1400150300	MICRO SWITCH COVER	1	
13#	1400150210	MICRO SWITCH	1	
14#	1400150410	MICRO SWITCH CAP (SENSOR)	1	
15#	0043104000	WASHER (M4)	2	
16#	0033104000	NUT (M4)	5	
17\$	E000010500	BUZZER	1	S/N G20040 AND BELOW
17%	E000030100	BUZZER	1	S/N G20041 AND ABOVE
18\$	A400038600	BRACKET (BUZZER)	1	S/N G20040 AND BELOW
18%	A400038601	BRACKET (BUZZER)	1	S/N G20041 AND ABOVE
19\$	A100013301	FLANGE	1	S/N G20040 AND BELOW
19%	A100013302	FLANGE	1	S/N G20041 AND ABOVE
20#	E000065400	T-HANDLE KNOB	1	
21\$	E000010400	CABLE CLAMP	1	S/N G20070 AND BELOW
21%	E000045000	CABLE CLAMP	1	S/N G20071 AND ABOVE
22#	2204500130	SEAL (NORMAL)	1	
23#	1800001100	SHEET (BOTTOM)	1	
24#	2204500230	PACKING	1	
25#	A300034400	PLATE (BOTTOM)	1	
26#	0014808025	BUTTON SCREW & WASHER (M8x25)	8	
27#	E000009701	WAVE WASHER (M5)	3	
28#	A400030700	STOPPER (FILTER) CP	3	
29#	E000010301	SPACER	3	
30#	A200018000	PLATE (AIR)	1	
31#	A400038300	FILTER 200 (AIR)	1	
32#	2204510110	WASHER	1	

NOTE 1: The balloon assembly A includes all items w/ # and \$ on the Fan Blower/Lamp Base Assy parts list on this page AND on the Balloon/LampGuard Assy parts list.

NOTE 2: The balloon assembly A includes all items w/ # and % on the Fan Blower/Lamp Base Assy parts list on this page AND on the Balloon/LampGuard Assy parts list.

GLOBUG SOLO LIGHTING SYSTEM — BALLOON/LAMP GUARD ASSY.

BALLOON/LAMP GUARD ASSY.



GLOBUG SOLO LIGHTING SYSTEM — BALLOON/LAMP GUARD ASSY.

BALLOON/LAMP GUARD ASSY.

<u>NO.</u>	<u>PART NO.</u>	<u>PART NAME</u>	<u>QTY.</u>	<u>REMARKS</u>
A	A000017600	BALLOON ASSY	1	S/N G20070 AND BELOW SEE NOTE 1 BELOW
A	A000017601	BALLOON ASSY	1	S/N G20071 AND ABOVE SEE NOTE 2 BELOW
1	GBBAL120	BALLOON CLOTH CP, OVAL-SHAPED	1	CONTACT MQ UNIT SALES (OPTIONAL)
1#	GBBAL115D	BALLOON CLOTH CP, DRUM-SHAPED	1	CONTACT MQ UNIT SALES
2#	0014808025	BUTTON SCREW & WASHER (M8 X 25)	1	
3	A100013400	PRIMARY COVER	1	NO LONGER AVAILABLE
3A#	A100028505	BALLOON COVER	1	S/N G20001 AND ABOVE
3B#	A300060202	SEAL (TOP)	1	S/N G20001 AND ABOVE
4#	2204220130	PLATE (CAP)	1	
5#	2204500230	PACKING	1	
6#	1800001000	SHEET (TOP)	1	
7#	2204500130	SEAL NORMAL (TOP)	1	
8#	A100010800	LAMP GUARD	2	
9\$	A300026900	PLATE (LAMP)	1	S/N G20070 AND BELOW
9%	A300026901	PLATE (LAMP)	1	S/N G20071 AND ABOVE
10#	0024304008	SCREW & WASHER (M4x8)	16	
11#	2204400130	FRAME PIPE	4	
12#	A300032700	PLATE (LAMP HOLDER)	1	
13#	2204231730	RUBBER (LAMP)	1	
14#	E000009800	LAMP	1	
15#	E000009601	SOCKET ASSY	1	
16#	0025304025	SCREW & WASHER (M4x25)	2	
17#	2204231530	SPRING (LAMP)	2	
18#	A400038400	CABLE (LAMP) 1 R CP	1	
19\$	A400038500	CABLE (LAMP) 1 G CP	1	S/N G20070 AND BELOW
19%	A400038501	CABLE (LAMP) 1 G CP	1	S/N G20071 AND ABOVE
20	GBBALD1	BLANK MESSAGE STRIP (OPTIONAL)	1	CONTACT MQ UNIT SALES
21	1654000230	BALLOON PATCH KIT (OPTIONAL)	1	CONTACT MQ UNIT SALES

NOTE 1: The balloon assembly A includes all items w/ # and \$ on the Balloon/LampGuard Assy parts list on this page AND on the Fan Blower/Lamp Base Assy parts list.

NOTE 2: The balloon assembly A includes all items w/ # and % on the Balloon/LampGuard Assy parts list on this page AND on the Fan Blower/Lamp Base Assy parts list.