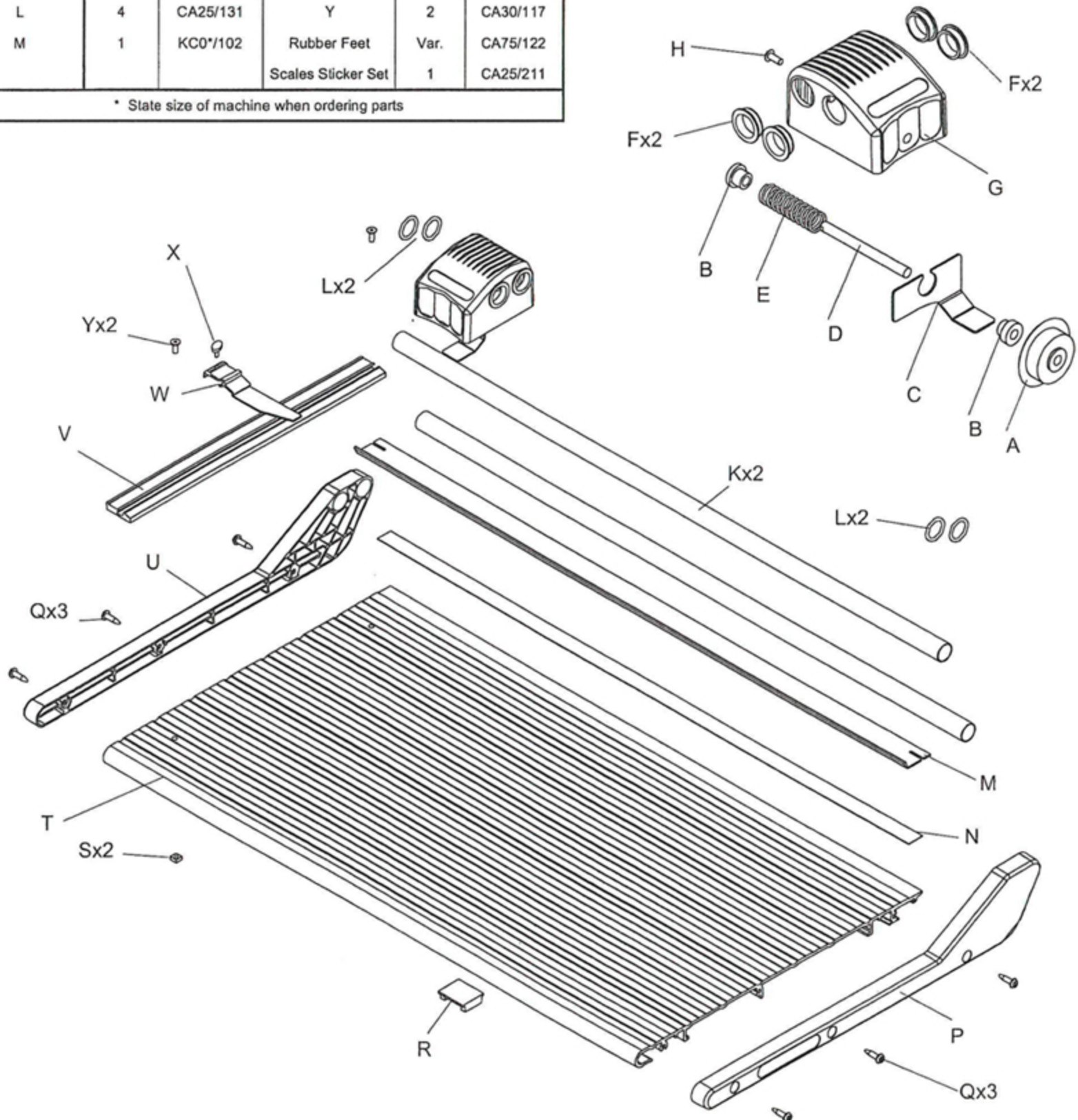


Classic Rotary Cutter Spare Parts

Key	Qty.	Code	Key	Qty.	Code
A	1	68110	N	1	KC0*/101
B	2	KC01/110	P	1	KC01/105
C	1	CA10/299	Q	6	CA30/249
D	1	KC01/109	R	1	KC01/106
E	1	CA25/244	S	2	CA30/275
F	4	KC01/108	T	1	KC0*/100
G	1	KC01/107	U	1	KC01/104
H	1	CA30/162	V	1	KC01/111
			W	1	KC01/113
K	2	KC0*/103	X	1	CA30/191 Knoblet
L	4	CA25/131	Y	2	CA30/117
M	1	KC0*/102	Rubber Feet	Var.	CA75/122
			Scales Sticker Set	1	CA25/211

* State size of machine when ordering parts

Complete Head
KC01/003



Notes: Parts are sold individually unless specified as a set.