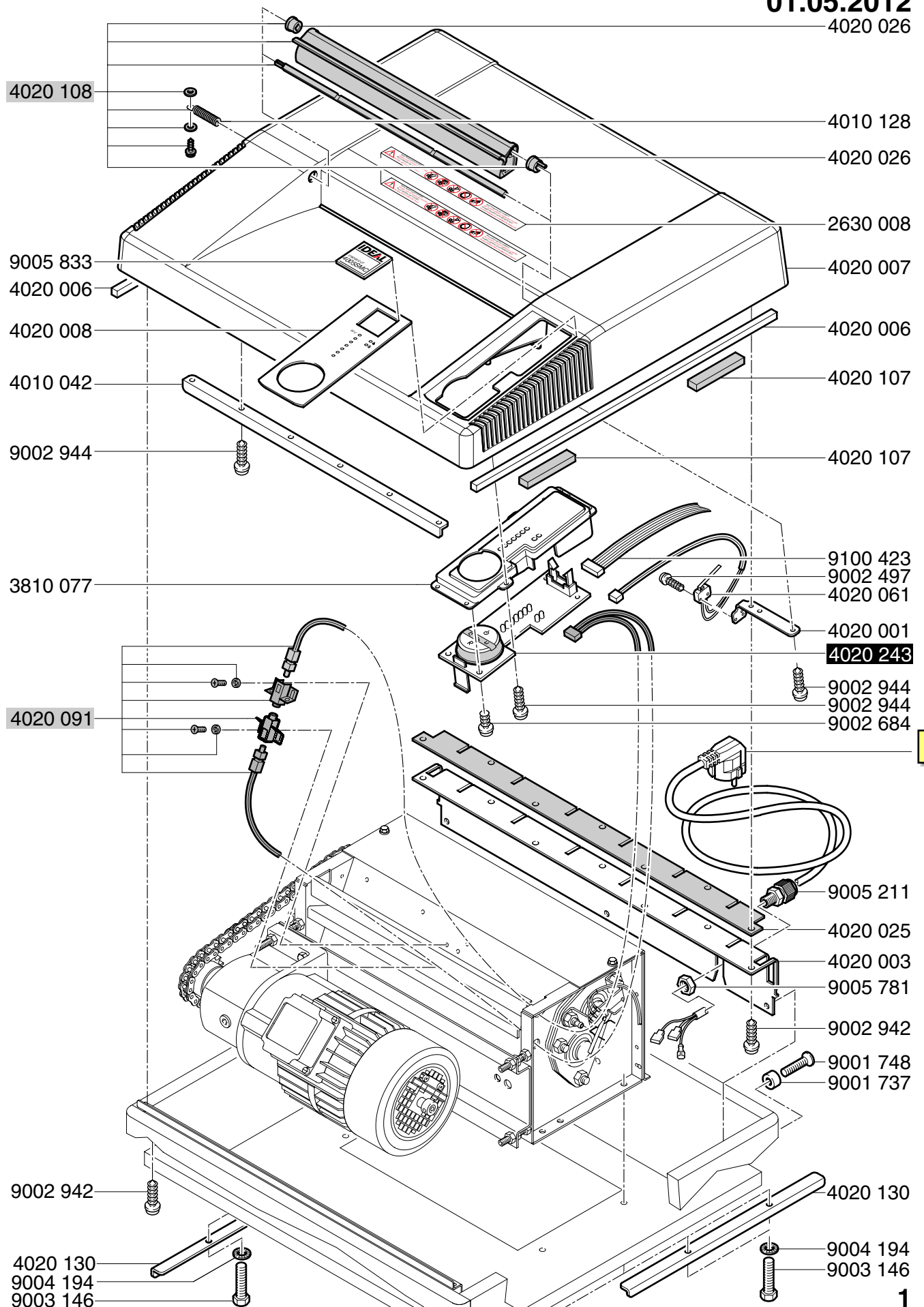
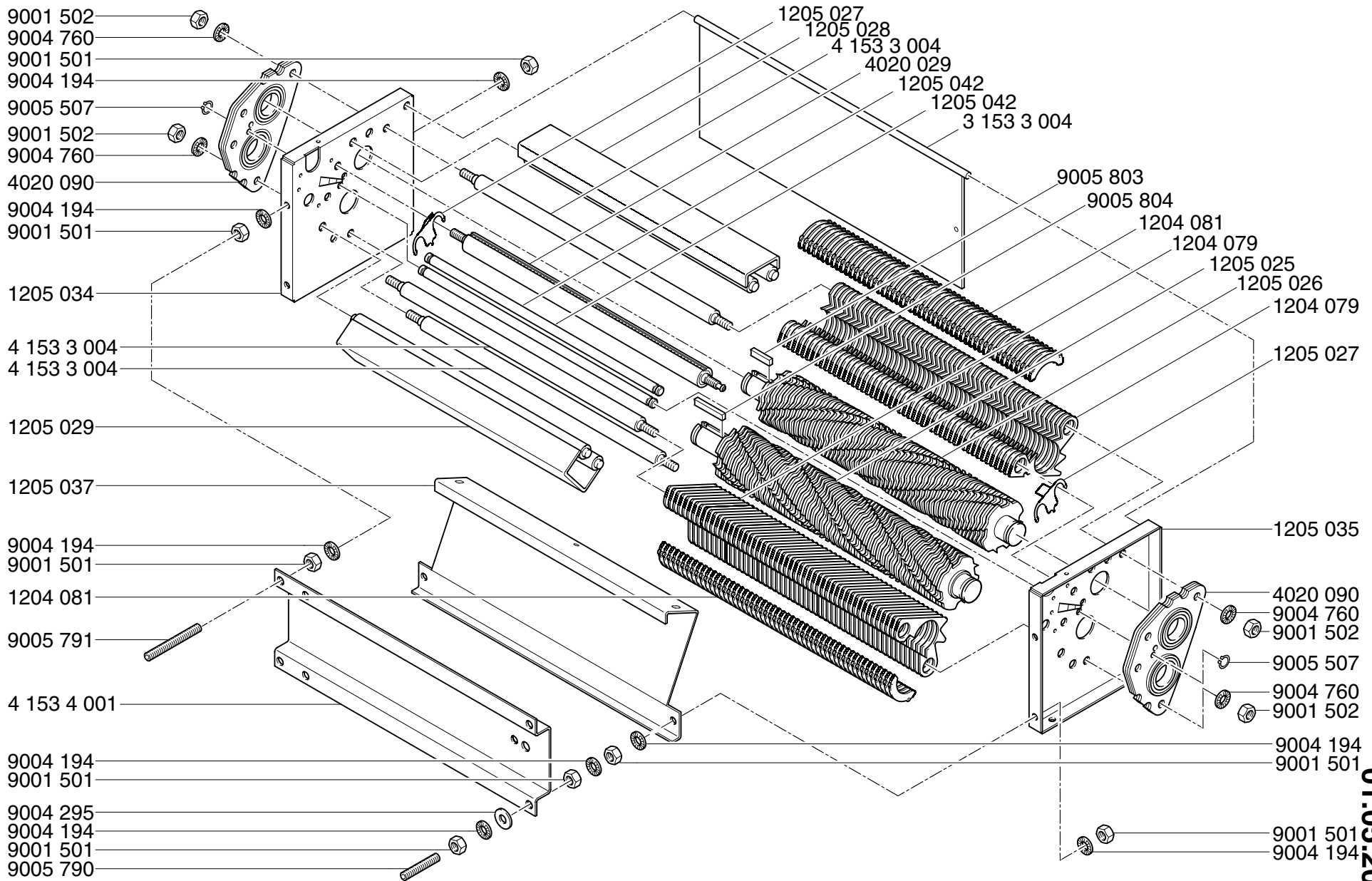


Mod.4005 SMC B

CROSS / CUT 0,8x5mm

01.05.2012

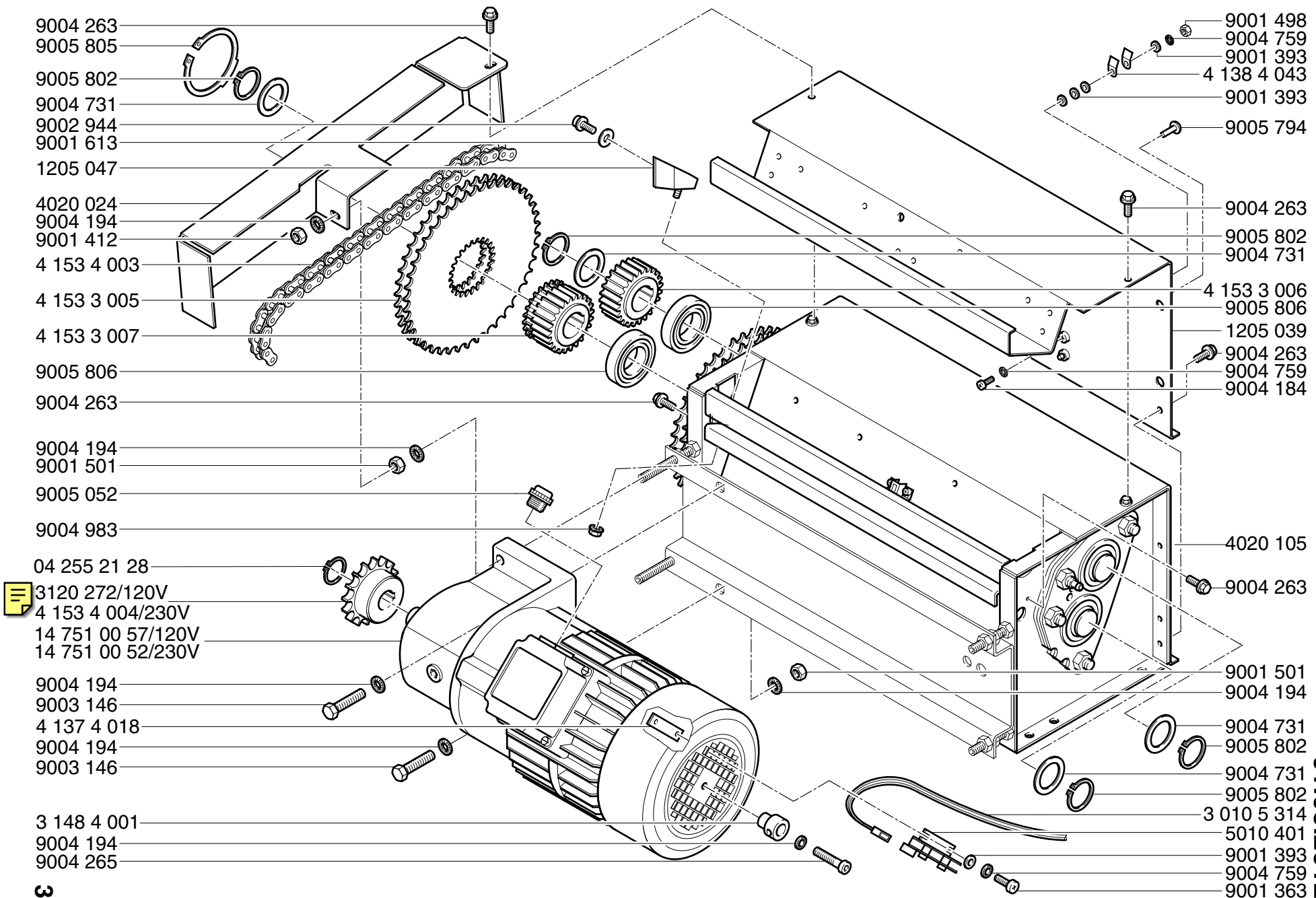




Mod. 4005 SMC B

CROSS / CUT 0,8x5mm

01.05.2012



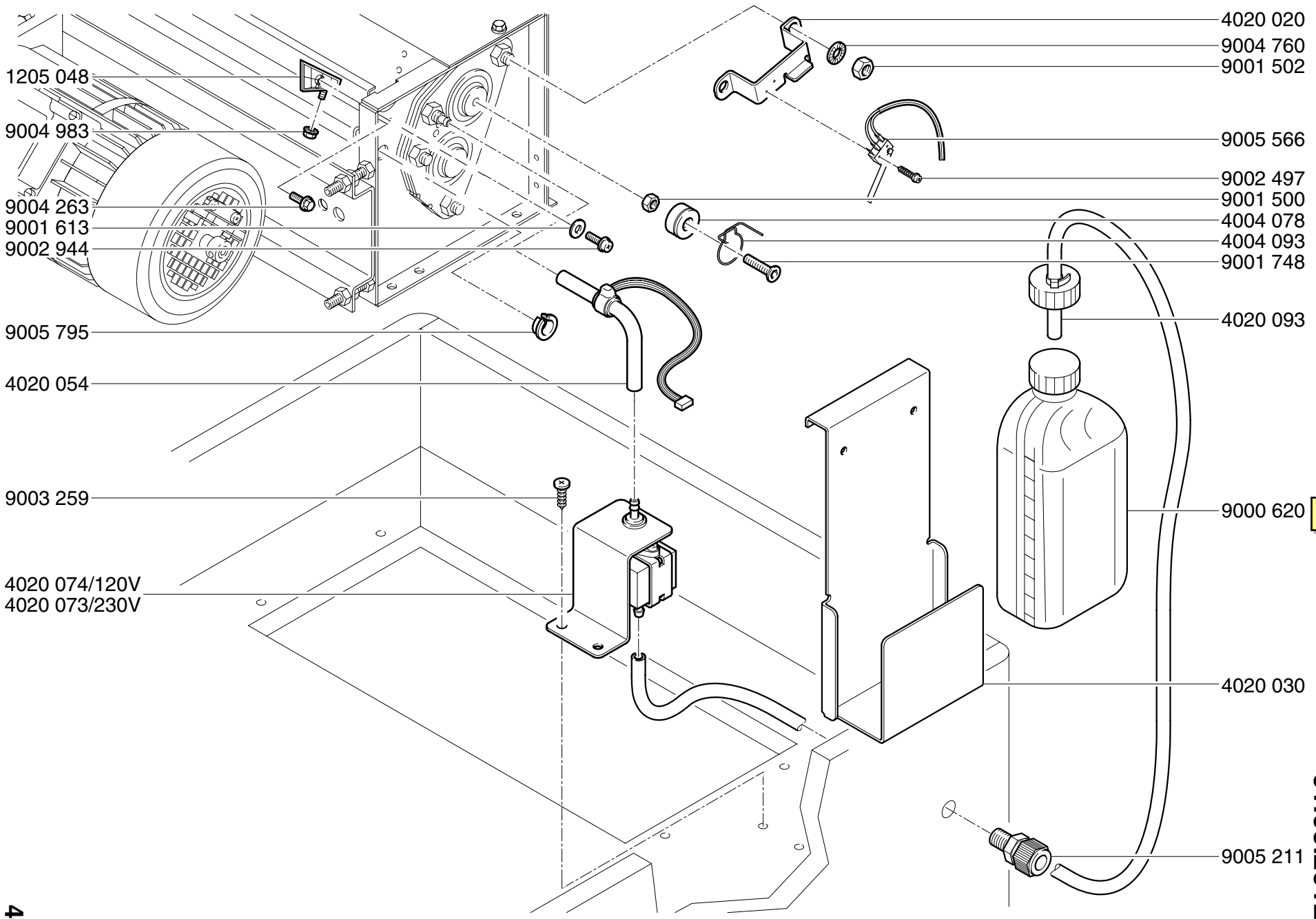
Mod. 4005 SMC B

CROSS / CUT 0.8x5mm

01.05.2012



3120 272/120V
 4 153 4 004/230V
 14 751 00 57/120V
 14 751 00 52/230V

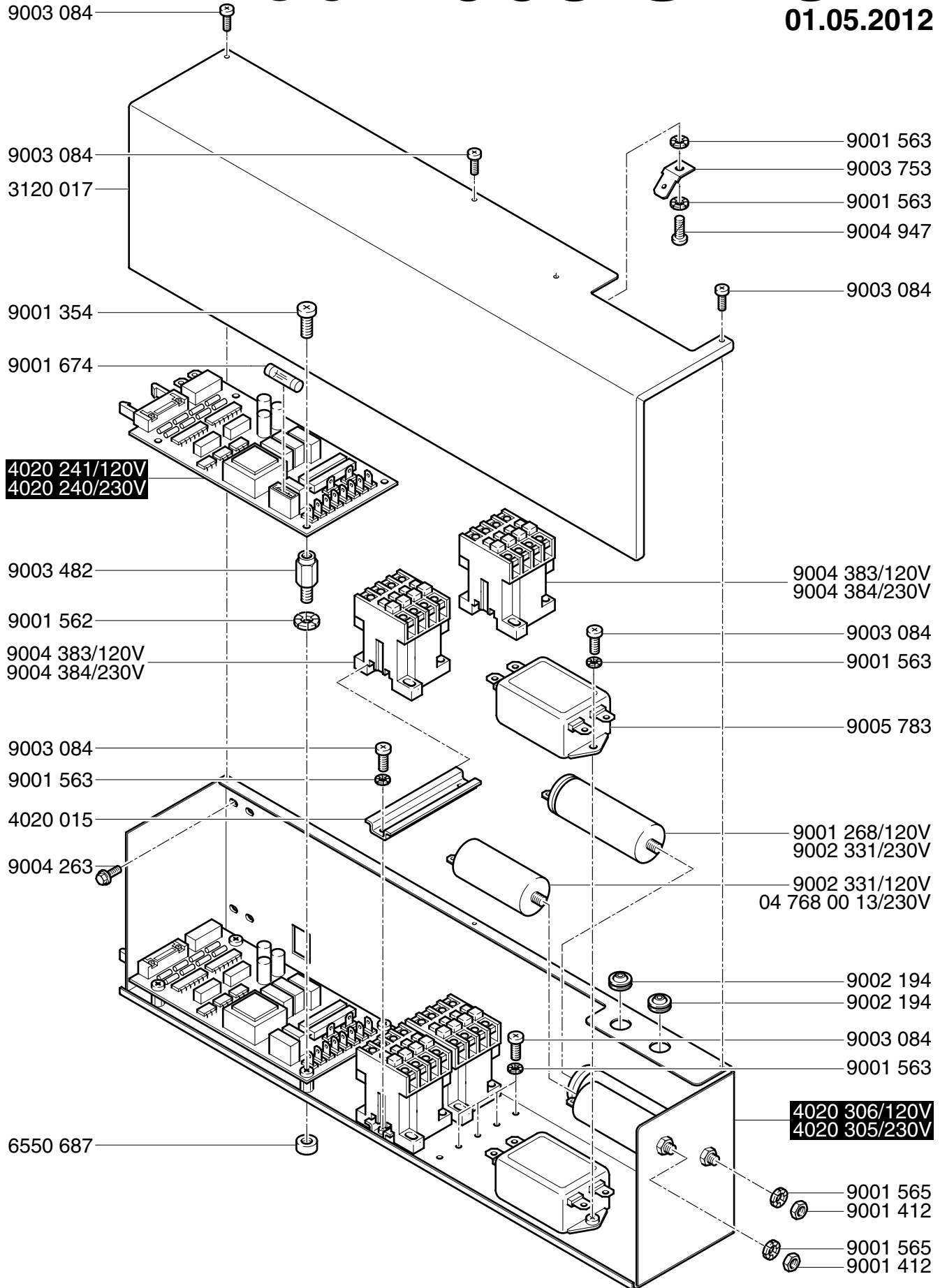


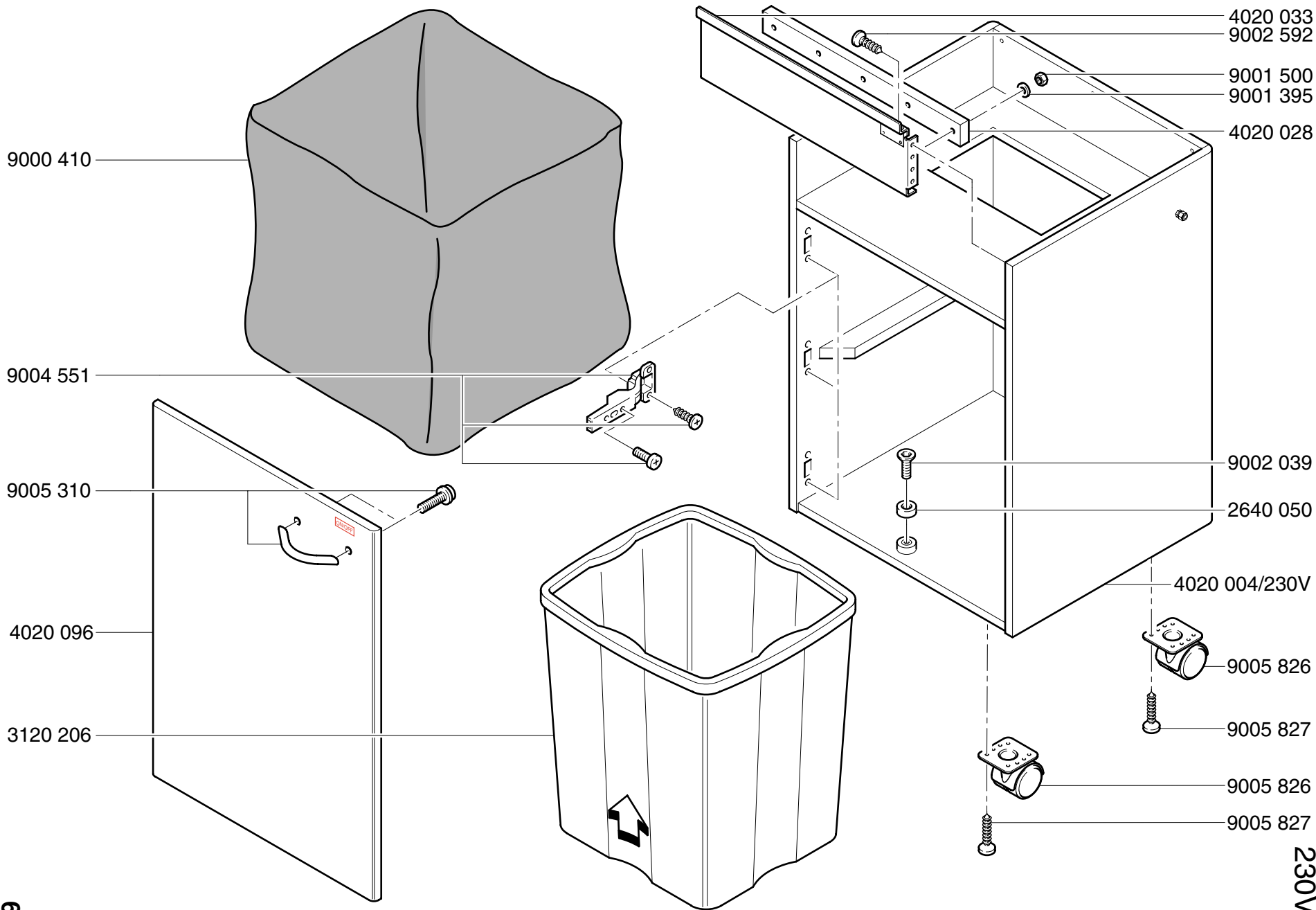
Mod.5141
CROSS / CUT
CCC
D
0.8x5mm
 01.05.2012

Mod.4005 SMC B

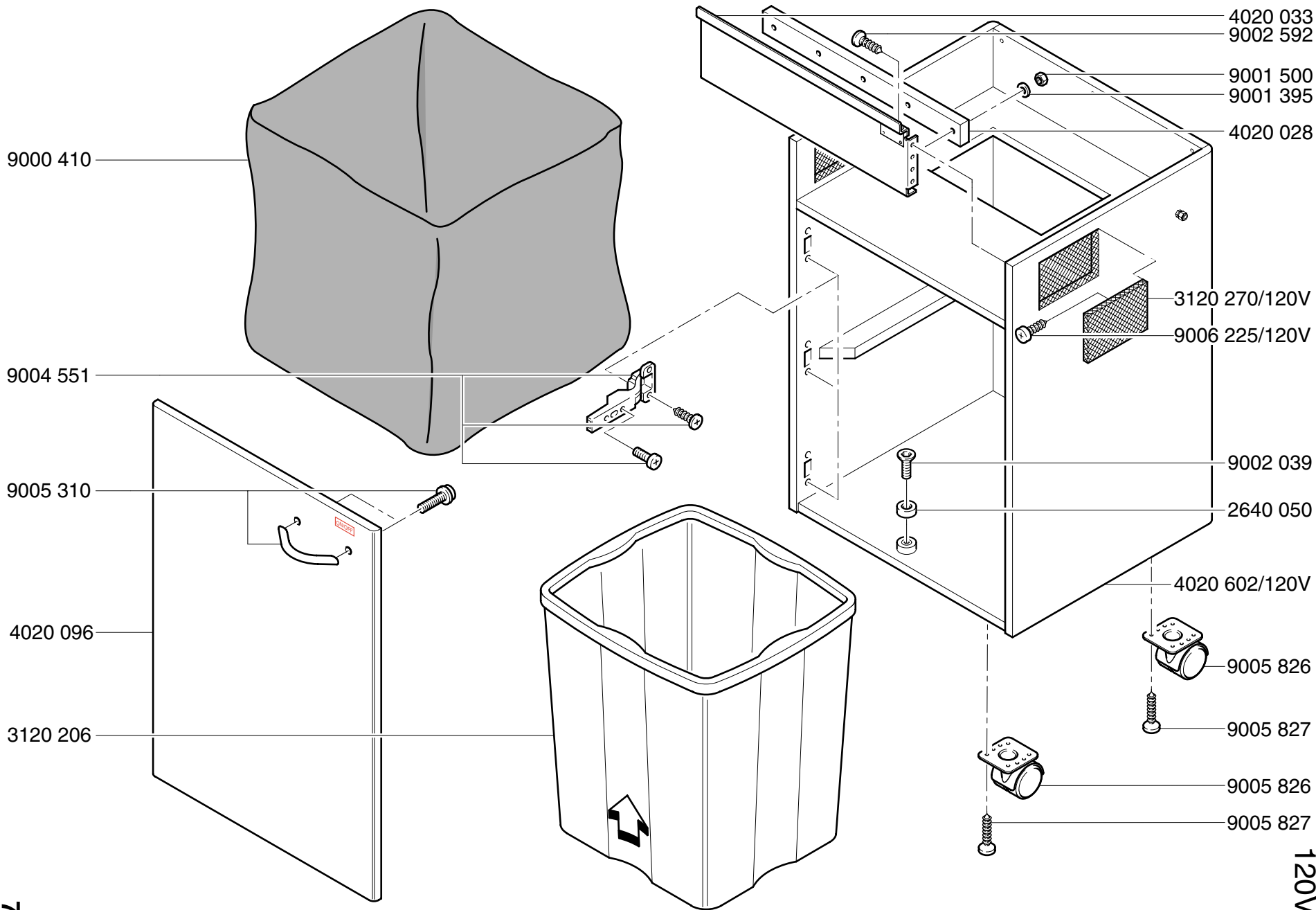
CROSS / CUT 0,8x5mm

01.05.2012





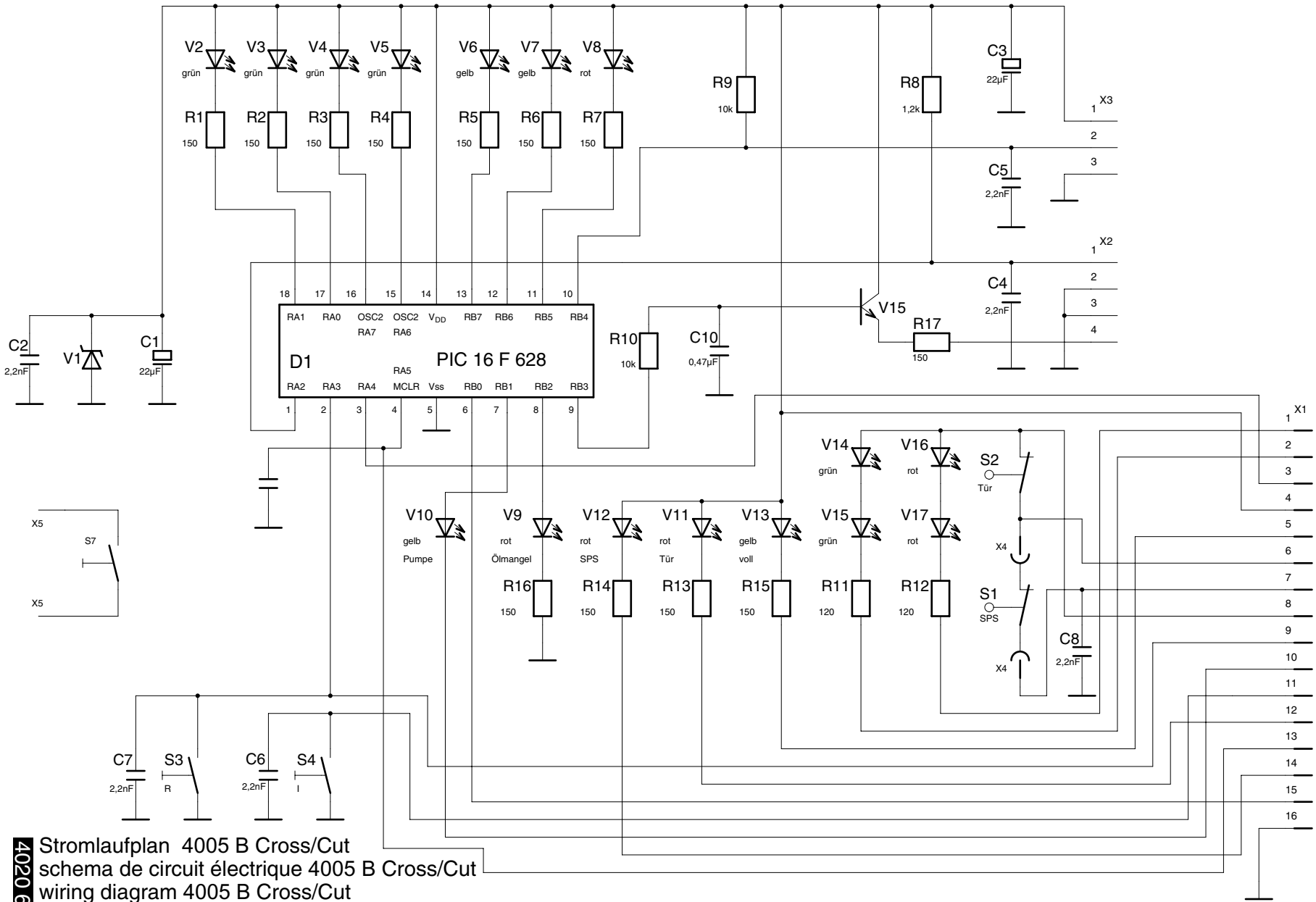
Mod. 4005 SMC B
 CROSS / CUT
 0.8x5mm
 01.05.2012
 230V



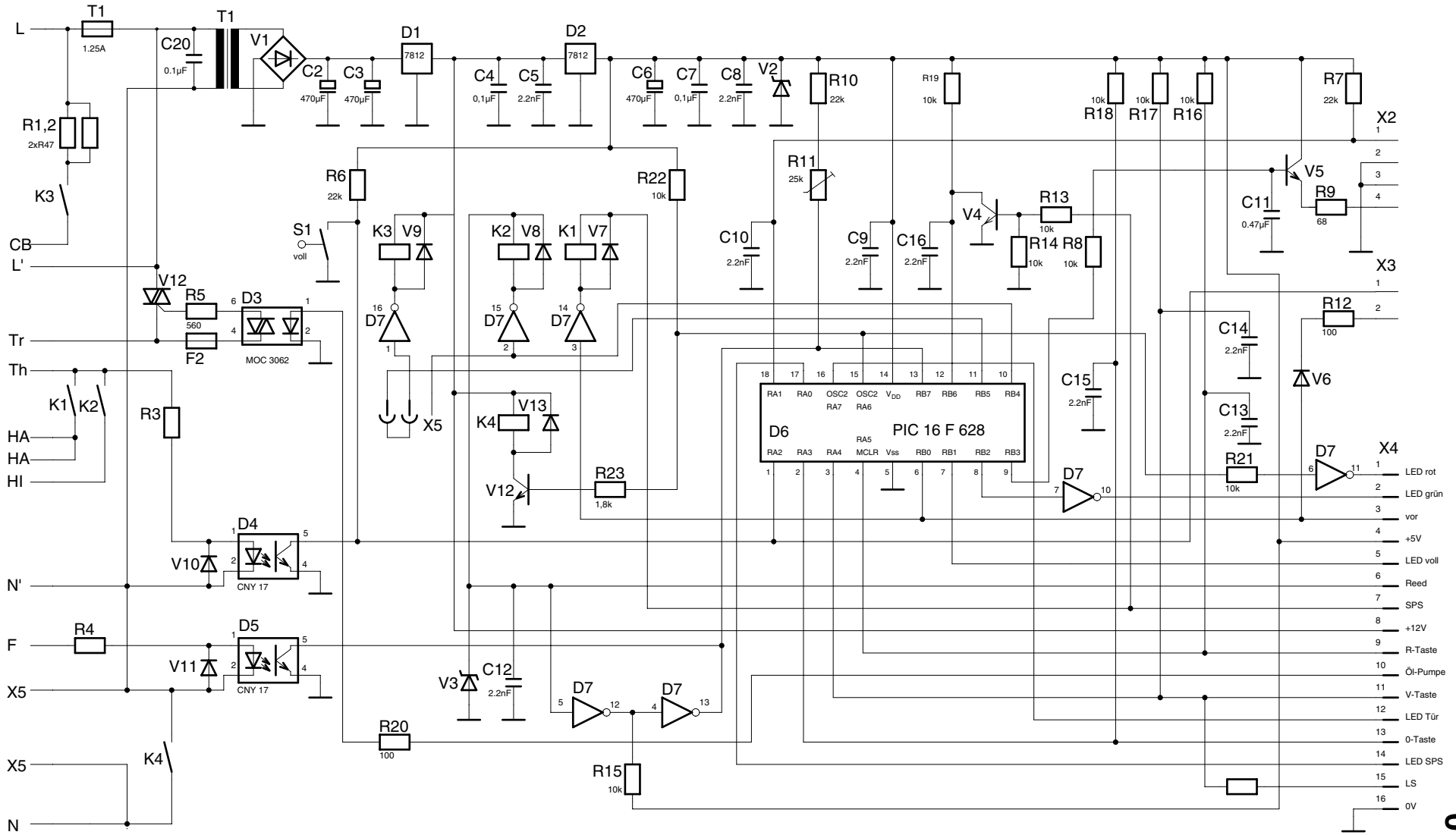
Mod. 4005 SMC B
 CROSS / CUT
 0.8x5mm
 01.05.2012
 120V

Mod. 4005 SMC B

CROSS / CUT
0.8x5mm
01.05.2012



Stromlaufplan 4005 B Cross/Cut
 schema de circuit électrique 4005 B Cross/Cut
 wiring diagram 4005 B Cross/Cut

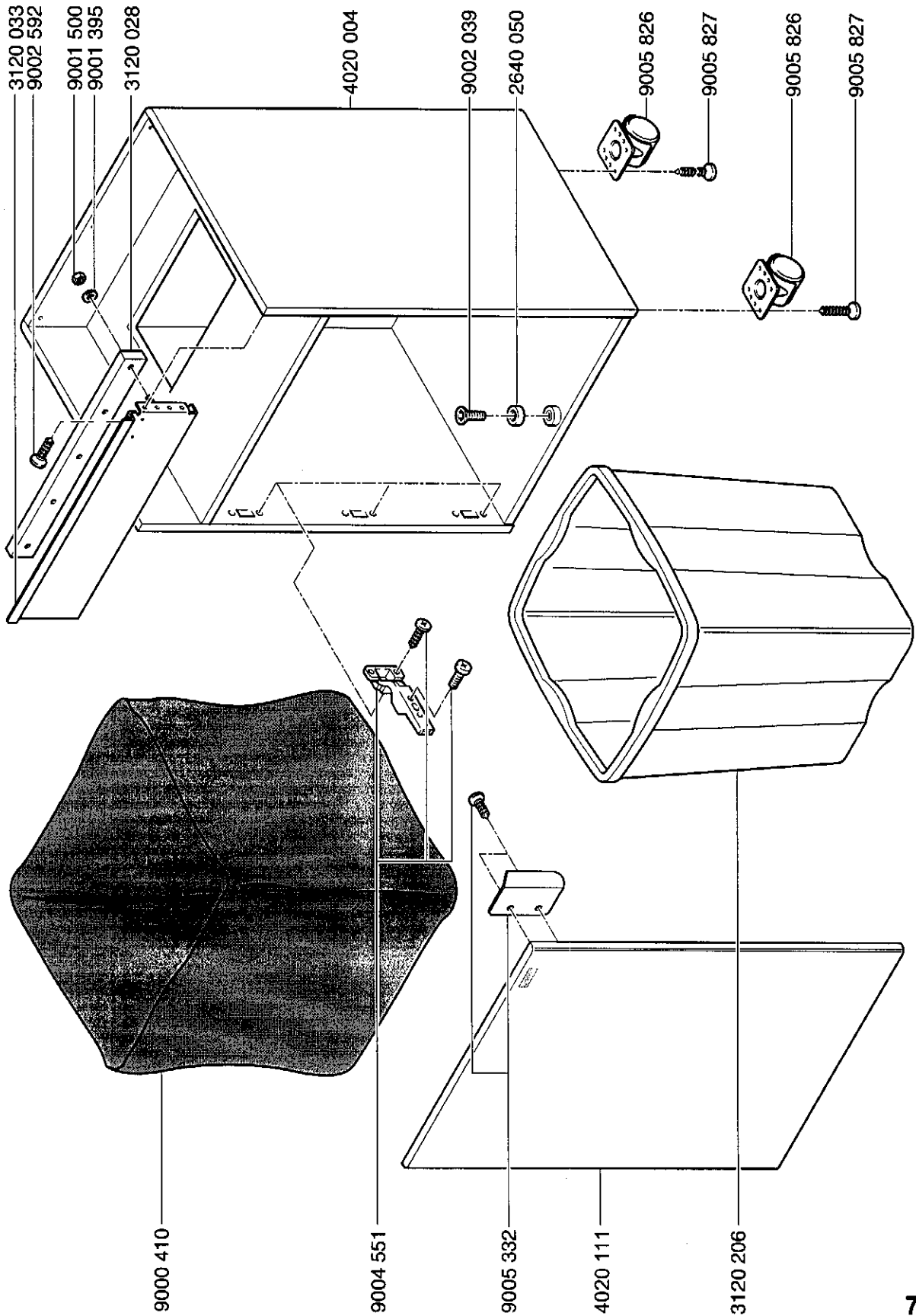


Mod. 4005
CROSS / CUT
SMC
B
 0.8x5mm
 01.05.2012

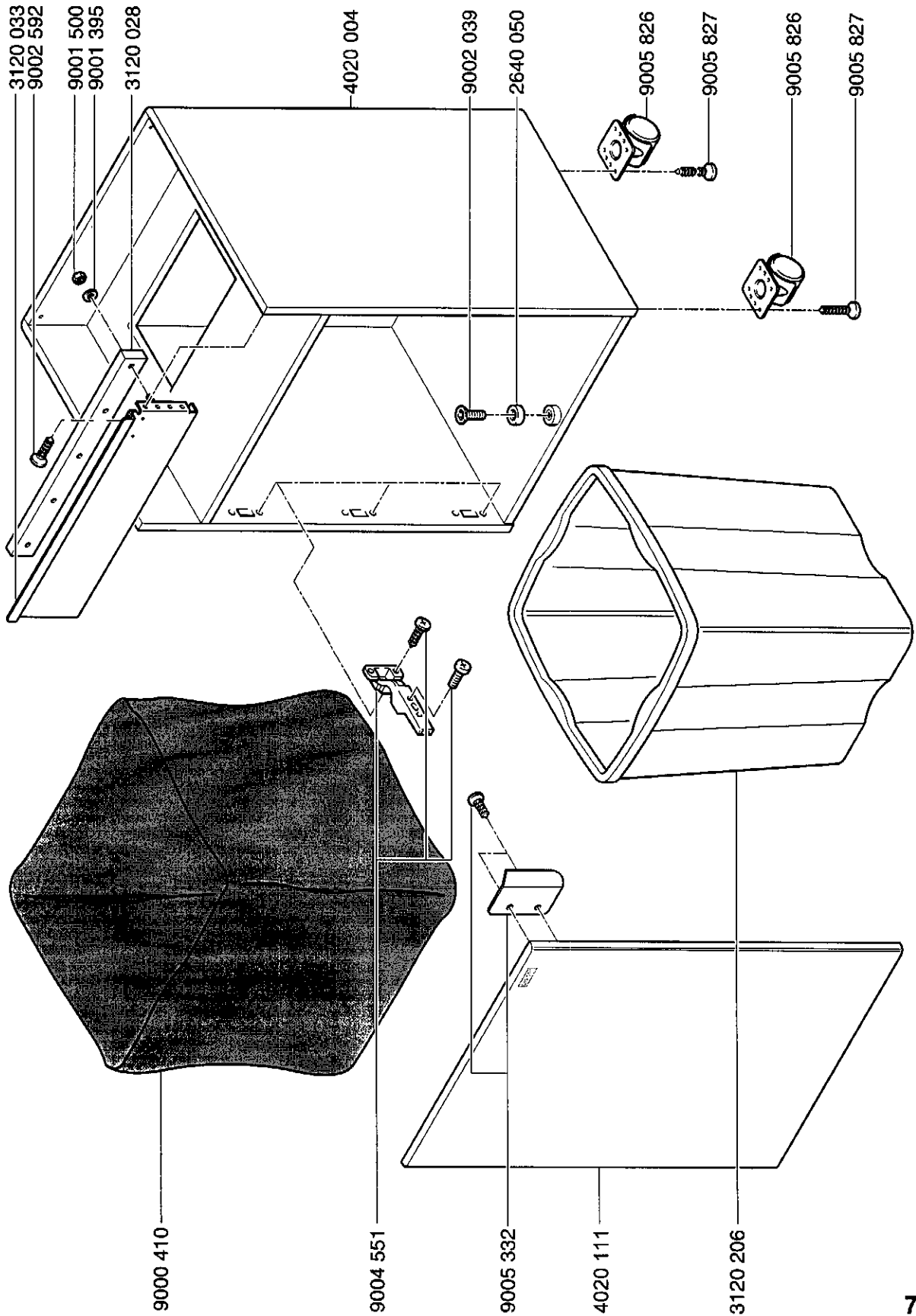
Stromlaufplan 4005 B Cross/Cut
 schema de circuit électrique 4005 B Cross/Cut
 wiring diagram 4005 B Cross/Cut

Mod. 4005 B

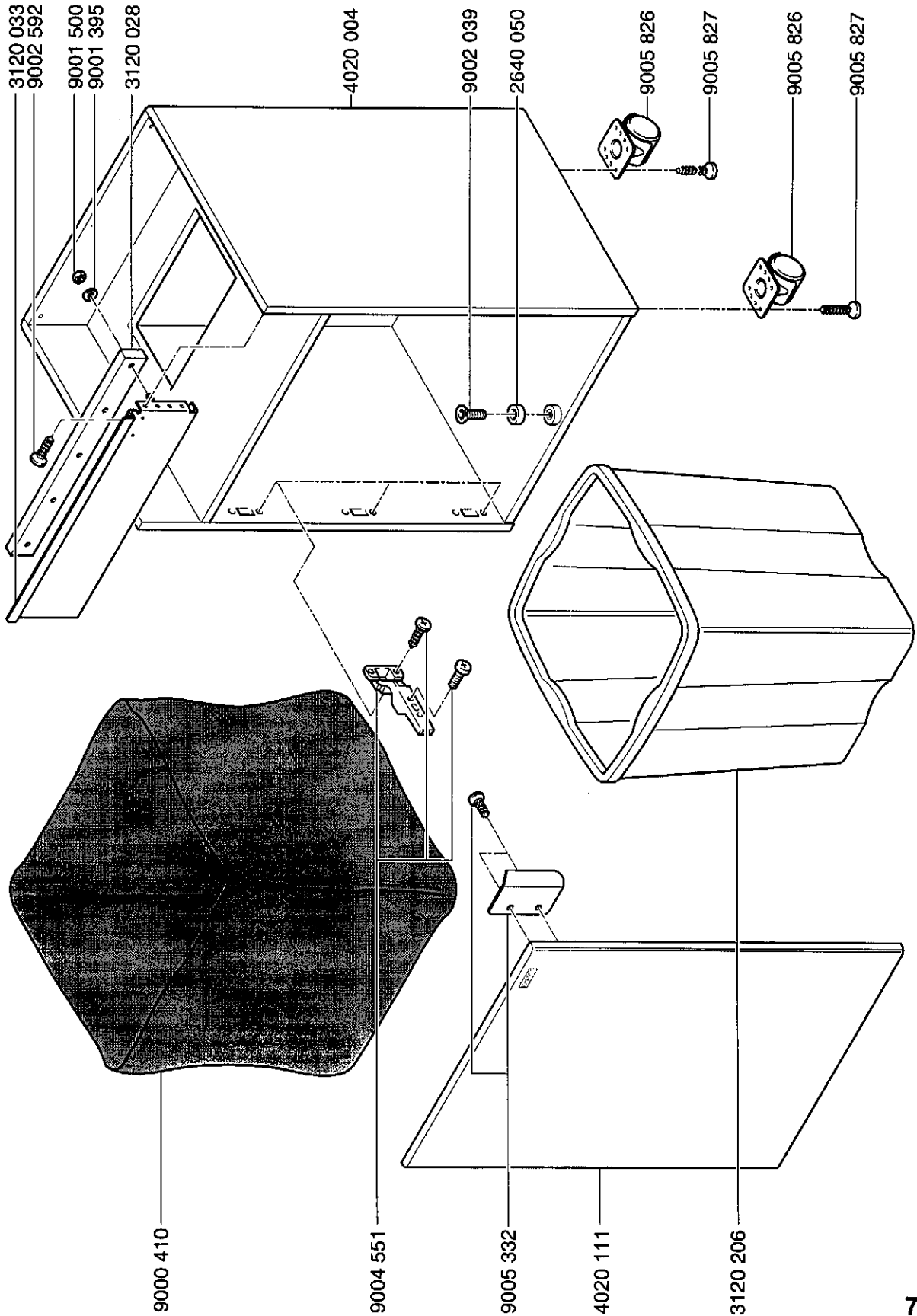
01.02.2013



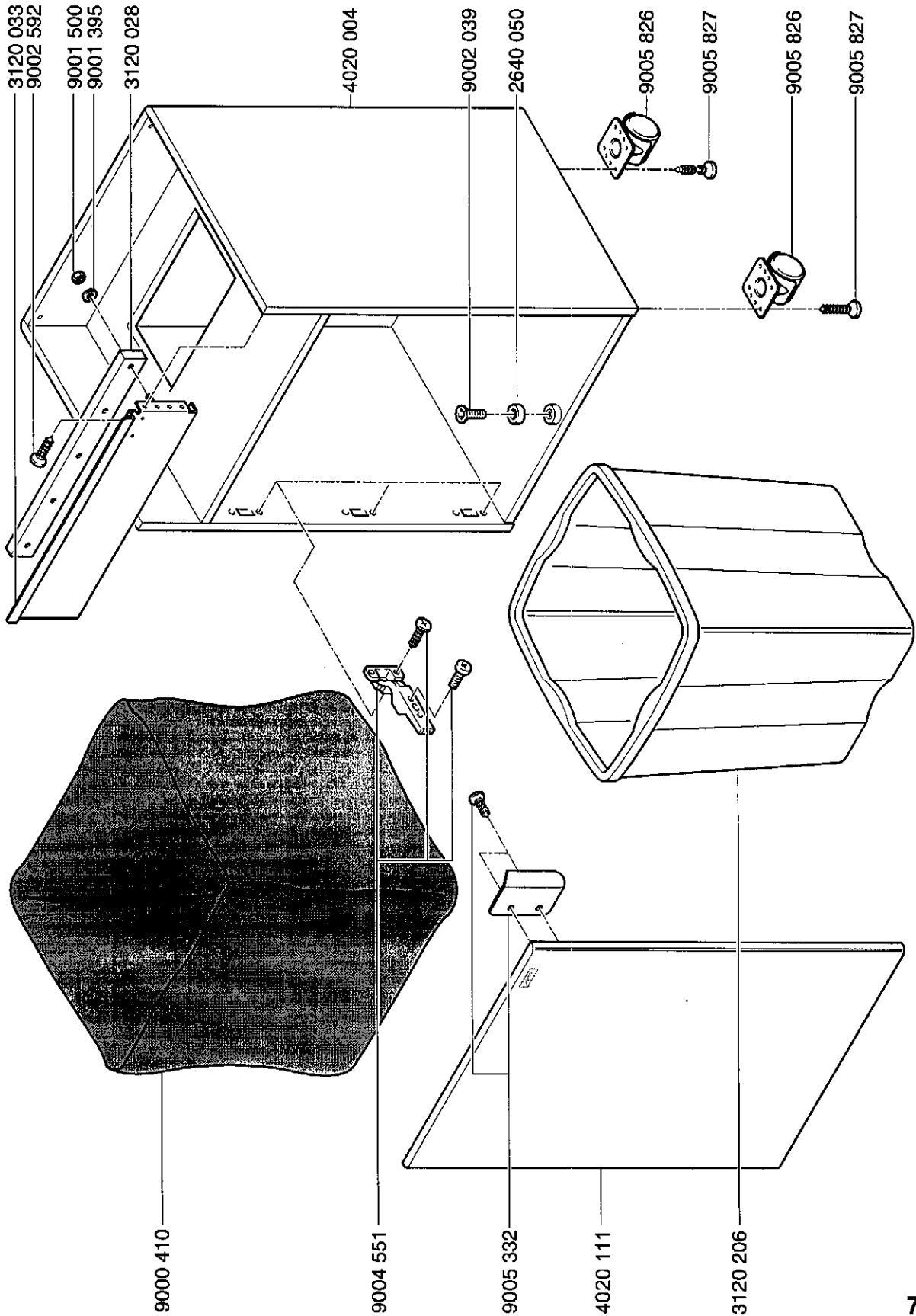
CROSS / CUT 4x40mm
Mod.4005 B
01.02.2013



CROSS / CUT 2x15mm
Mod.4005 B
 01.02.2013



CROSS / CUT 0,8x12mm
Mod.4005 MC B
01.02.2013



Mod.4005 SMC B

CROSS / CUT 0,8x5mm

01.02.2013
120V

