

PARTS MANUAL



MODELS P33/24 FR/FC/FCR VIBRATORY TRENCH ROLLER

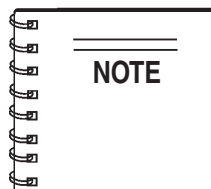
Revision #5 (12/12/08)

THIS MANUAL MUST ACCOMPANY THE EQUIPMENT AT ALL TIMES.

P33/24 FR-FC-FCR — SUGGESTED SPARE PARTS

MQ RAMMAX P33/24 FR-FC-FCR VIBRATORY TRENCH ROLLER 1 TO 3 UNITS W/FARYMANN 43 F

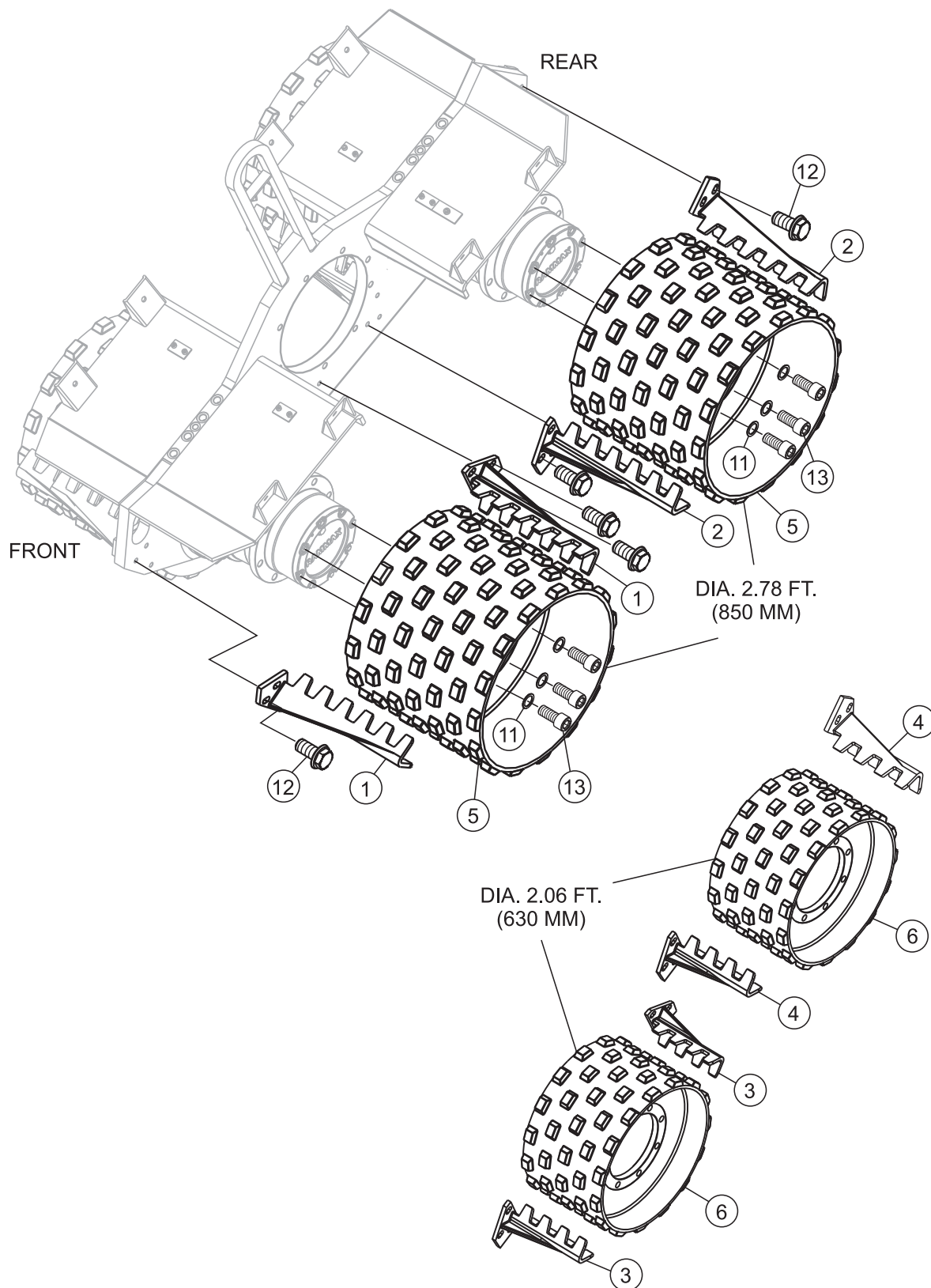
Qty	P/N	Description
8	63533	FRAME SHOCK MOUNTS
1	05725	FASTENER SNAP HOOD
1	51601	HYDRAULIC SUCTION FILTER
1	51619	HYDRAULIC HIGH-PRESSURE FILTER
2	05462	FAN, HYDRAULIC PUMP
2	59501	PARALLEL PIN, FAN
1	3-10728	EMERGENCY STOP BUMPER
1	68562	COCKPIT
1	68566	HELIX CABLE
1	52012	STARTER SWITCH
2	52007	KEYS, STARTER
1	64541	THROTTLE CABLE COMPL.
1	3-10085	RECEIVER EYE PROTECTING CAP
1	68333	RECEIVER EYE
1	90292	VOLTAGE REGULATOR
1	68561	BLACK BOX
1	5410502	ENGINE OIL FILTER
1	5410382	ENGINE FUEL FILTER
1	5410732	ENGINE AIR FILTER



Part numbers on this Suggested Spare Parts List may supercede/replace the P/N's shown in the test pages of this manual.

P33/24 FR-FC-FCR — STANDARD DRUM ASSY.

STANDARD DRUM ASSY.



P33/24 FR-FC-FCR — STANDARD DRUM ASSY.

STANDARD DRUM ASSY.

<u>NO.</u>	<u>PART NO.</u>	<u>PART NAME</u>	<u>QTY.</u>	<u>REMARKS</u>
1	00288	SCRAPER, 33" F/L-R/R	4	USE WITH FRONT DRUM 00422
2	00289	SCRAPER, 33" F/R-L/R	4	USE WITH REAR DRUM 00422
3	00290	SCRAPER, 24" F/L-R/R	4	USE WITH FRONT DRUM 00423
4	00291	SCRAPER, 24" F/R-L/R	4	USE WITH REAR DRUM 00423
5	00422	DRUM, 33" SMALL PADS	4	DIA. 2.78 FT. (850 MM)
6	00423	DRUM, 24" SMALL PADS	4	DIA. 2.06 FT. (630 MM)
11	58332	RETAINING WASHER, S-18	32	
12	55946	HEX BOLT, M12 X 25	24	
13	54153	ALLEN HEAD CAP SCREW, M18 X 40	32	

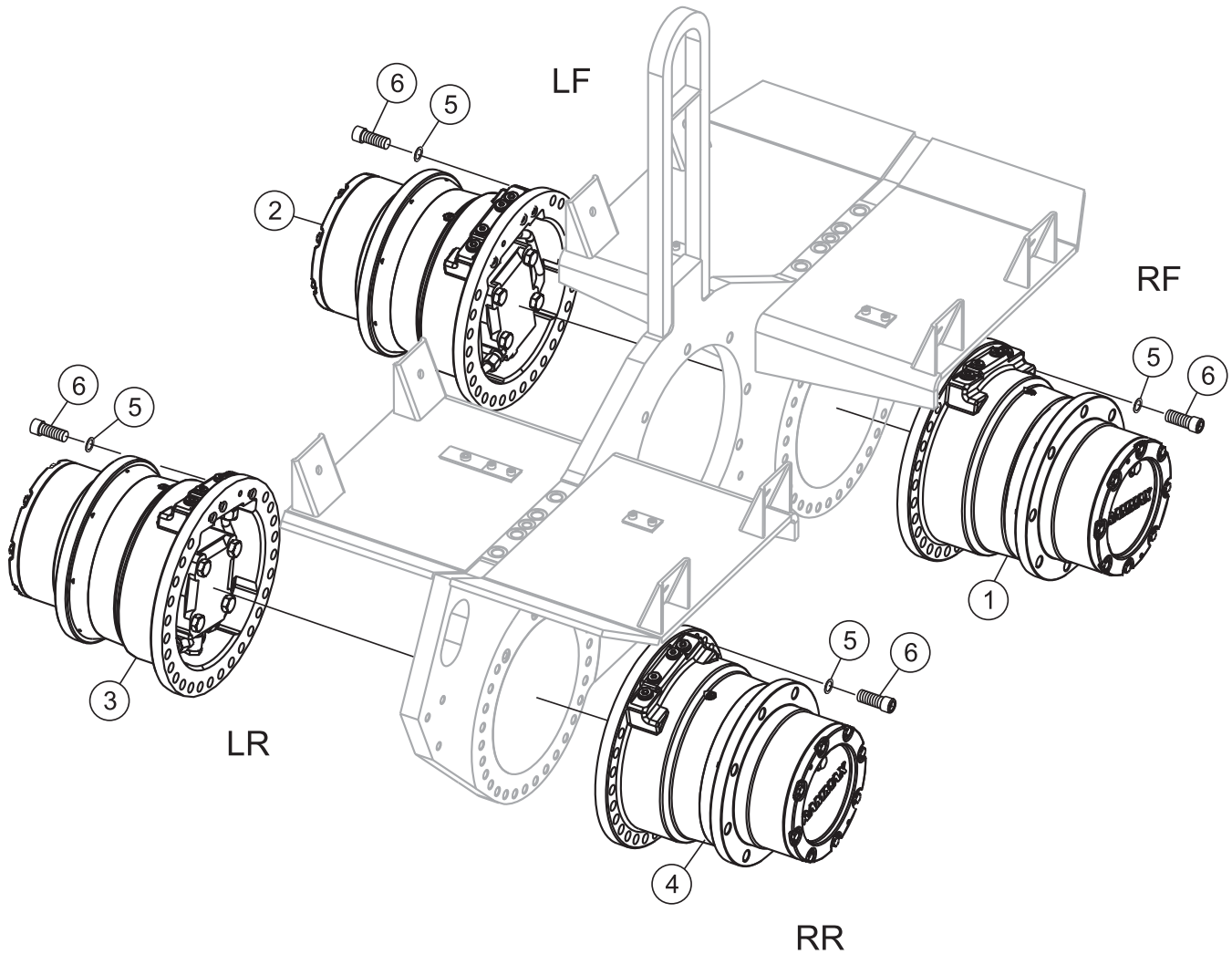
P33/24 FR-FC-FCR— UNIVERSAL DRUM ASSY.

UNIVERSAL DRUM ASSY.

<u>NO.</u>	<u>PART NO.</u>	<u>PART NAME</u>	<u>QTY.</u>	<u>REMARKS</u>
1*	00342	SCRAPER, 24" F/L-R/R	4	USE WITH REAR DRUM 00300
2*	00343	SCRAPER, 24" F/R-L/R	4	USE WITH FRONT DRUM 00300
3#	00344	SCRAPER, 33" F/L-R/R	4	USE WITH FRONT DRUM 00400
4#	00345	SCRAPER, 33" F/R-L/R	4	USE WITH REAR DRUM 00400
5*	00300	DRUM, 24" LARGE PADS	4	DIA. 2.06 FT. (630 MM)
6#	00400	DRUM, 33" LARGE PADS	4	DIA. 2.78 FT (850 MM)
11	58332	RETAINING WASHER, S-18	32	
12	55946	HEX BOLT, M12 X 25	24	
13	54153	ALLEN HEAD CAP SCREW, M18X40	32	
14	KIT24A	DRUM AND SCRAPER KIT	1	CONTACT UNIT SALES INCLUDES ITEMS W/*
15	KIT33A	DRUM AND SCRAPER KIT	1	CONTACT THROUGH UNIT SALES INCLUDES ITEMS W/#

P33/24 FR-FC-FCR— HYDRAULIC MOTOR 1 ASSY.

HYDRAULIC MOTOR 1 ASSY.



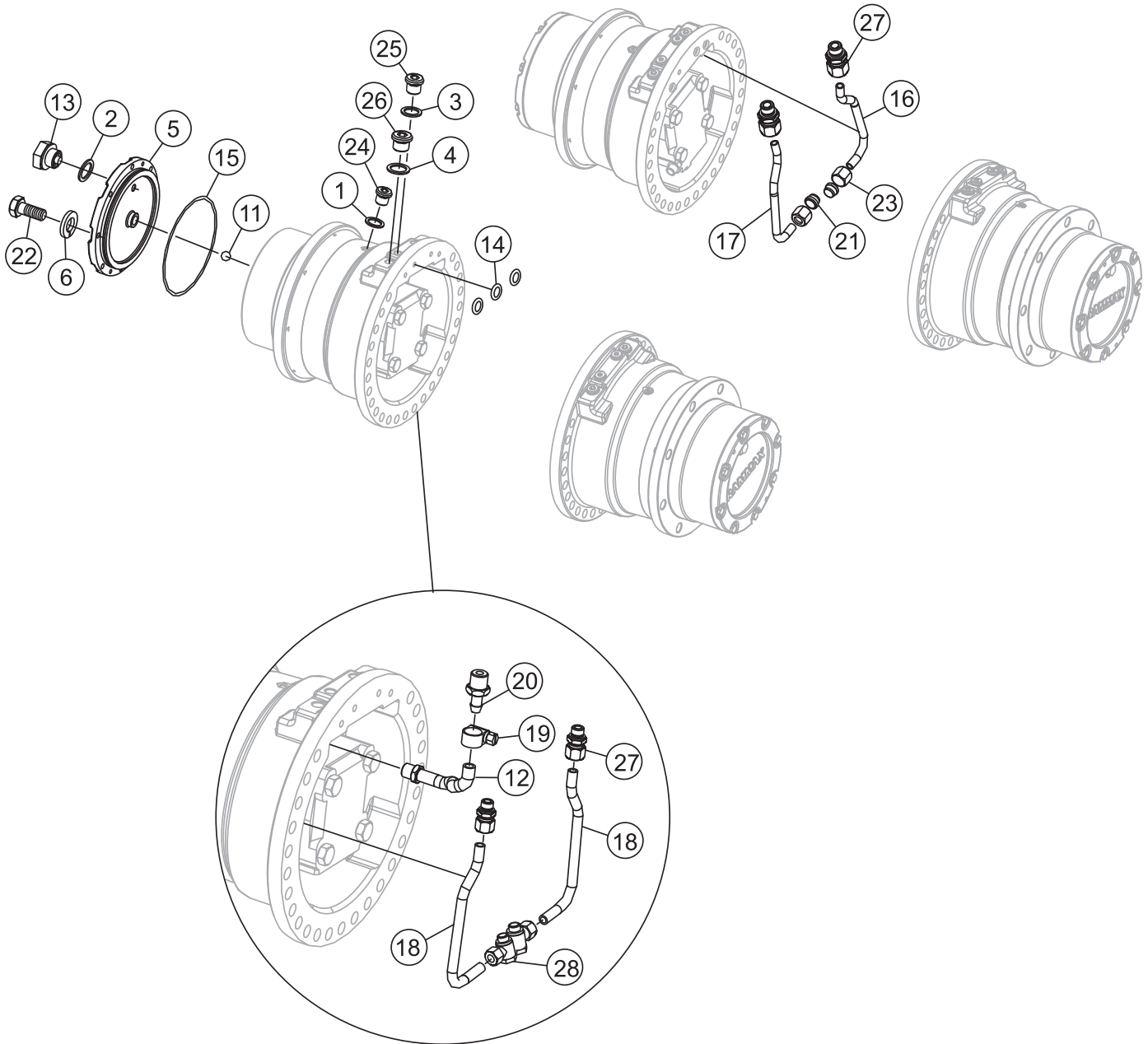
P33/24 FR-FC-FCR— HYDRAULIC MOTOR 1 ASSY.

HYDRAULIC MOTOR 1 ASSY.

<u>NO.</u>	<u>PART NO.</u>	<u>PART NAME</u>	<u>QTY.</u>	<u>REMARKS</u>
1	88022	HYDRAULIC MOTOR, R/F WITHOUT BRAKE	1	
2	88021	HYDRAULIC MOTOR, L/F WITH BRAKE	1	
3	88022	HYDRAULIC MOTOR, L/R WITHOUT BRAKE	1	
4	88021	HYDRAULIC MOTOR, R/R WITH BRAKE	1	
5	58329	RETAINING WASHER, S-14	48	
6	54110	ALLEN HEAD CAP SCREW, M14 X 40	48	

P33/24 FR-FC-FCR— HYDRAULIC MOTOR 2 ASSY.

HYDRAULIC MOTOR 2 ASSY.



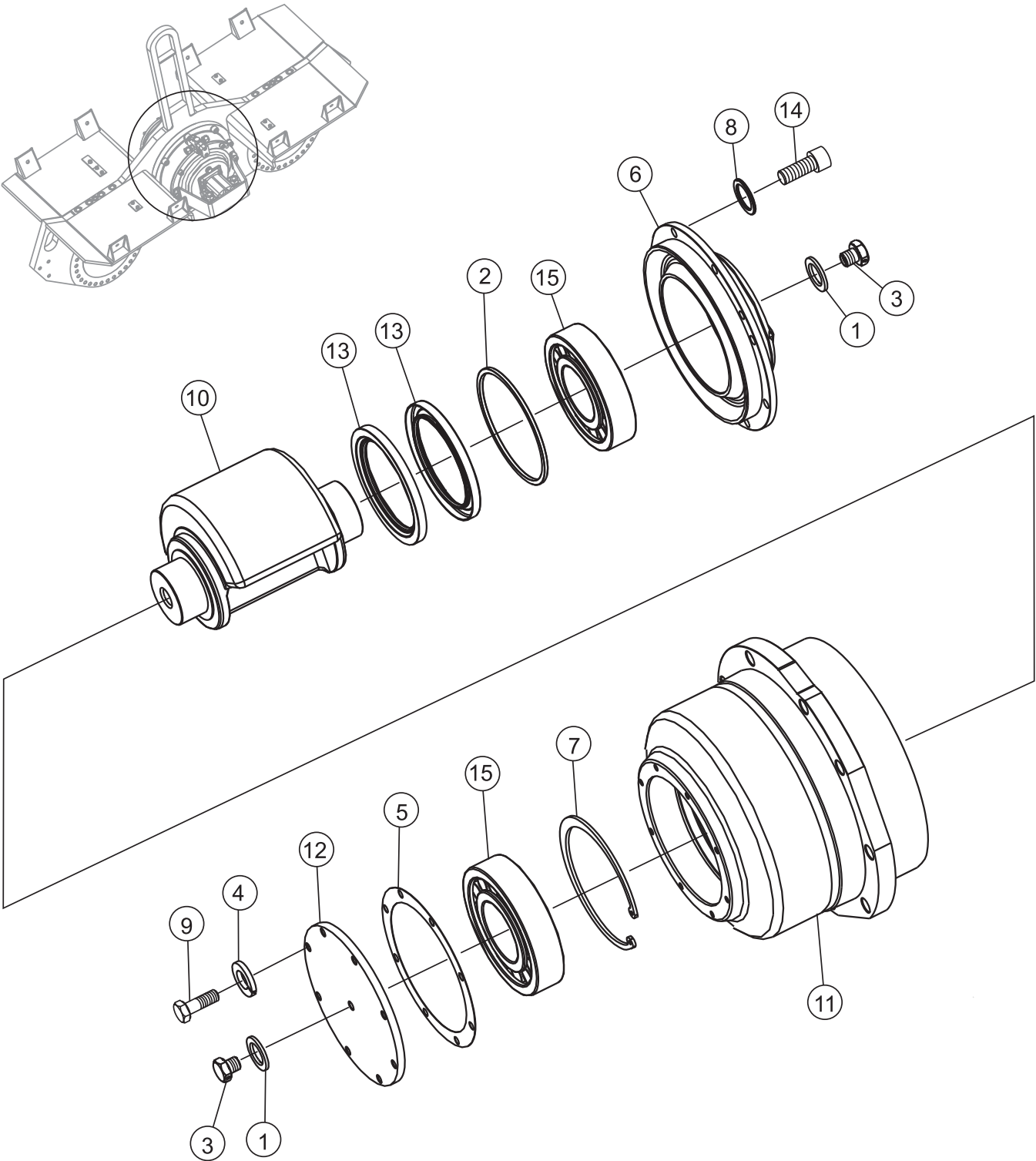
P33/24 FR-FC-FCR— HYDRAULIC MOTOR 2 ASSY.

HYDRAULIC MOTOR 2 ASSY.

<u>NO.</u>	<u>PART NO.</u>	<u>PART NAME</u>	<u>QTY.</u>	<u>REMARKS</u>
1	58618	COPPER RING, 10 X 14 X 1	4	
2	58603	COPPER RING, 12 X 18 X 1.5	5	
3	58605	COPPER RING, 14 X 20 X 1.5	8	
4	58606	COPPER RING, 16 X 22 X 1.5	8	
5	46203	BONNET, COVER	4	
6	58429	SPRING WASHER, A 8	32	
11	51215	BALL, RB-16 KL.5	4	
12	67000	OIL OVER FLOW HOSE	4	
13	58860	DRAIN PLUG, M12 X 1.5	5	
14	62031	O-RING, 14X3 AU 90° SHORE	12	
15	62166	O-RING	4	
16	46222	PIPE	2	
17	46223	PIPE	2	
18	46224	PIPE	4	
19	63250	BRACKET, ABA 8-12X9	4	
20	57775	HOSE STEM, M14 X 1.5 - KONISCH	4	
21	57682	CUTTING RINGM, 12 - L/S	4	
22	55901	HEX BOLT, M8 X 20	32	
23	57689	HEX NUT, 12 - S	4	
24	58800	DRAIN PLUG, M10 X 1	4	
25	58814	DRAIN PLUG, M14 X 1.5	8	
26	58813	DRAIN PLUG, M16 X 1.5	8	
27	57475	HYDRAULIC FITTING, GE 12 LM KON.	8	
28	57529	HYDRAULIC FITTING, SWVE 12 LM	4	

P33/24 FR-FC-FCR— VIBRATOR 1 ASSY.

VIBRATOR 1 ASSY.



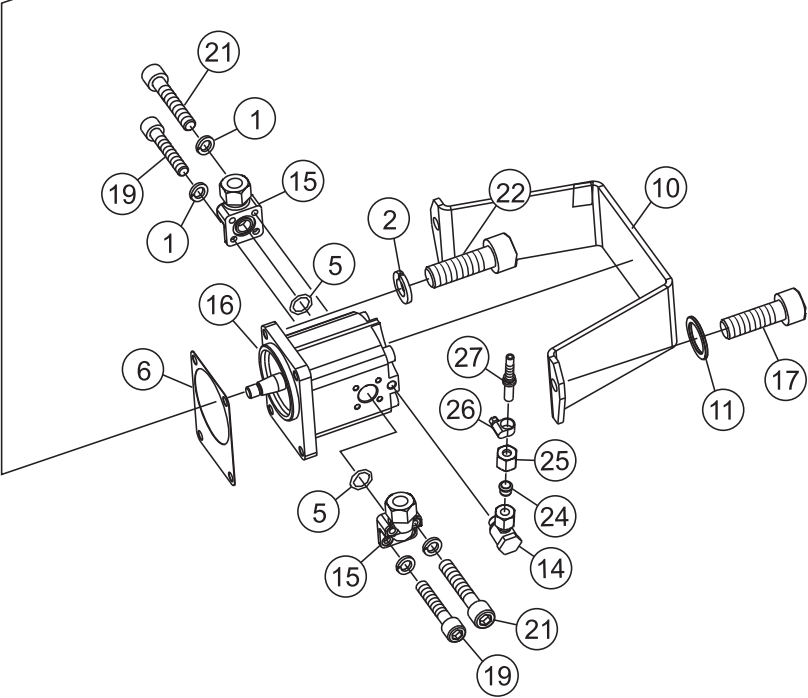
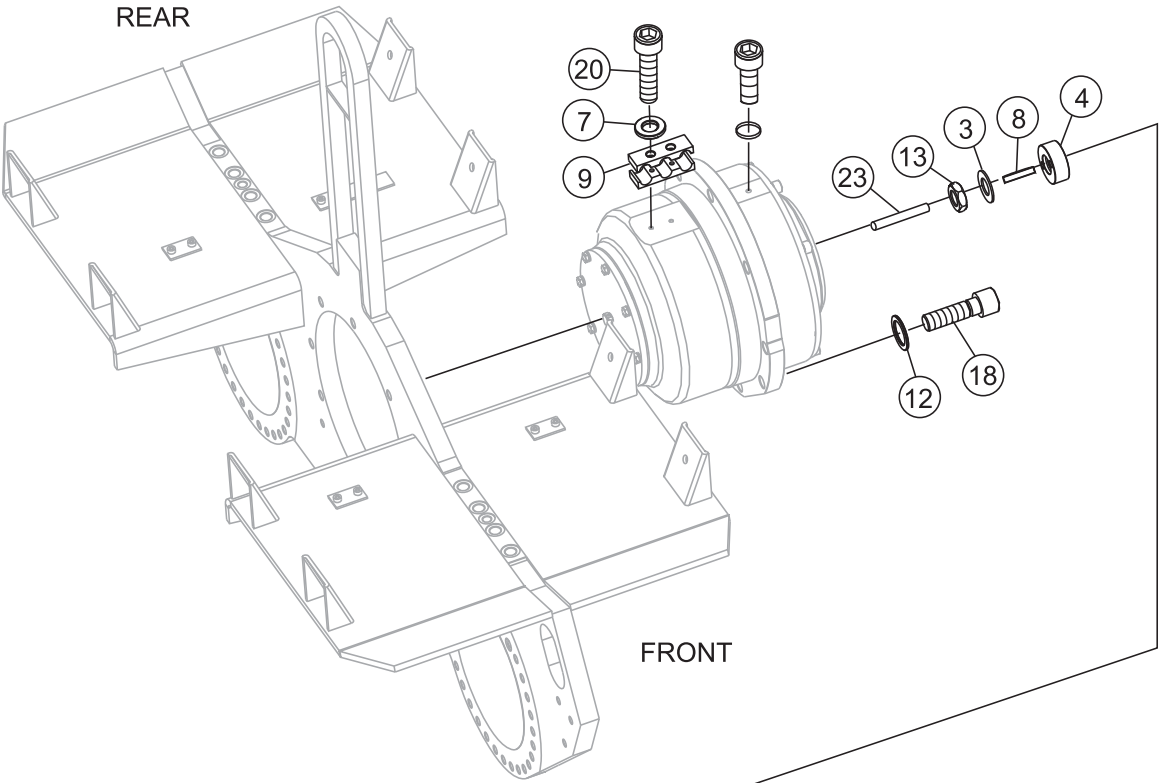
P33/24 FR-FC-FCR— VIBRATOR 1 ASSY.

VIBRATOR 1 ASSY.

<u>NO.</u>	<u>PART NO.</u>	<u>PART NAME</u>	<u>QTY.</u>	<u>REMARKS</u>
1	58603	COPPER RING, 12 X 18 X 1.5	2	
2	00405	SPACER RING	1	
3	3-10464	VENT SCREW	2	
4	58429	SPRING WASHER	8	
5	3-10146	PAPER SEAL	1	
6	3-10144	BEARING HOUSING	1	
7	58974	RING, I 170	1	
8	58335	RETAINING WASHER, S-12 VERZ.	6	
9	55903	HEX BOLT, M8 X 25	8	
10	3-10796	EXCENTRIC WEIGHT	1	
11	3-10143	EXCENTRIC HOUSING	1	
12	3-10145	COVER	1	
13	62503	SHAFT SEAL, 135 X 170 X 12 B1	2	
14	54648	ALLEN HEAD CAP SCREW, M12 X 30	6	
15	51102	ROLLER BEARING, NJ 316	2	

P33/24 FR-FC-FCR— VIBRATOR 2 ASSY.

VIBRATOR 2 ASSY.



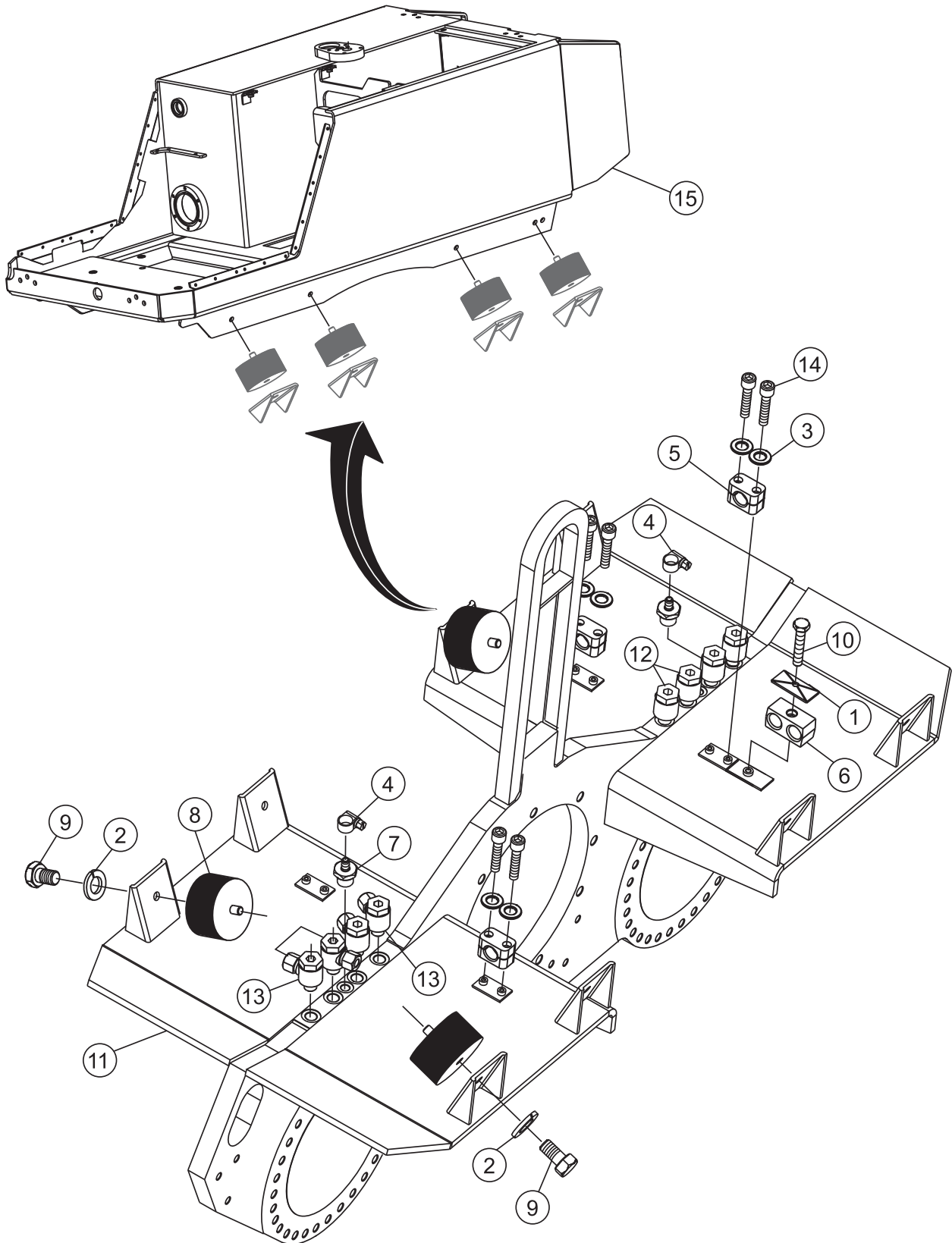
P33/24 FR-FC-FCR— VIBRATOR 2 ASSY.

VIBRATOR 2 ASSY.

<u>NO.</u>	<u>PART NO.</u>	<u>PART NAME</u>	<u>QTY.</u>	<u>REMARKS</u>
1	58428	SPRING WASHER, A 6	8	
2	58325	SPRING WASHER, A 8	4	
3	58277	SPRING WASHER, B 12	1	
4	00397	COUPLING	1	
5	62039	O-RING, DURCHM. 18 X 2.5	2	
6	64100	PAPER SEAL, KM 1/11	1	
7	58025	WASHER, B 6.4	2	
8	59027	WOODRUFF KEY, 3 X 6.5	1	
9	63175	CLIP, GR.3 18X18X18	2	
10	3-10184	SHEET METAL GUARD	1	
11	58335	RETAINING WASHER, S-12	2	
12	58331	RETAINING WASHER, S-16 VERZ.	9	
13	57171	HEX NUT, BM 12 X 1.5	1	
14	57526	HYDRAULIC FITTING, SWVE 8 LM	1	
15	57635	HYDRAULIC FITTING, WF-35LK-L15-250	2	
16	50104	GEAR MOTOR, KM 1/11	1	
17	54649	ALLEN HEAD CAP SCREW, M12 X 35	2	
18	54516	ALLEN HEAD CAP SCREW, M16 X 55	9	
19	54604	ALLEN HEAD CAP SCREW, M6 X 20	4	
20	54605	ALLEN HEAD CAP SCREW, M6 X 25	2	
21	54607	ALLEN HEAD CAP SCREW, M6 X 35	4	
22	54619	ALLEN HEAD CAP SCREW, M8 X 25	4	
23	59524	PARALLEL PIN, 10M6 X 40	2	
24	57858	CUTTING RING, 8L	1	
25	57851	SCREW NUT, 8L	1	
26	63250	BRACKET, ABA 8-12X9	1	
27	66796	CONNECTION	1	
28	54054	ALLEN HEAD CAP SCREW, M8X12	1	
29	58601	COPPER RING, 8X13X1.5	1	

P33/24 FR-FC-FCR— MOUNTING FRAME ASSY.

MOUNTING FRAME ASSY.



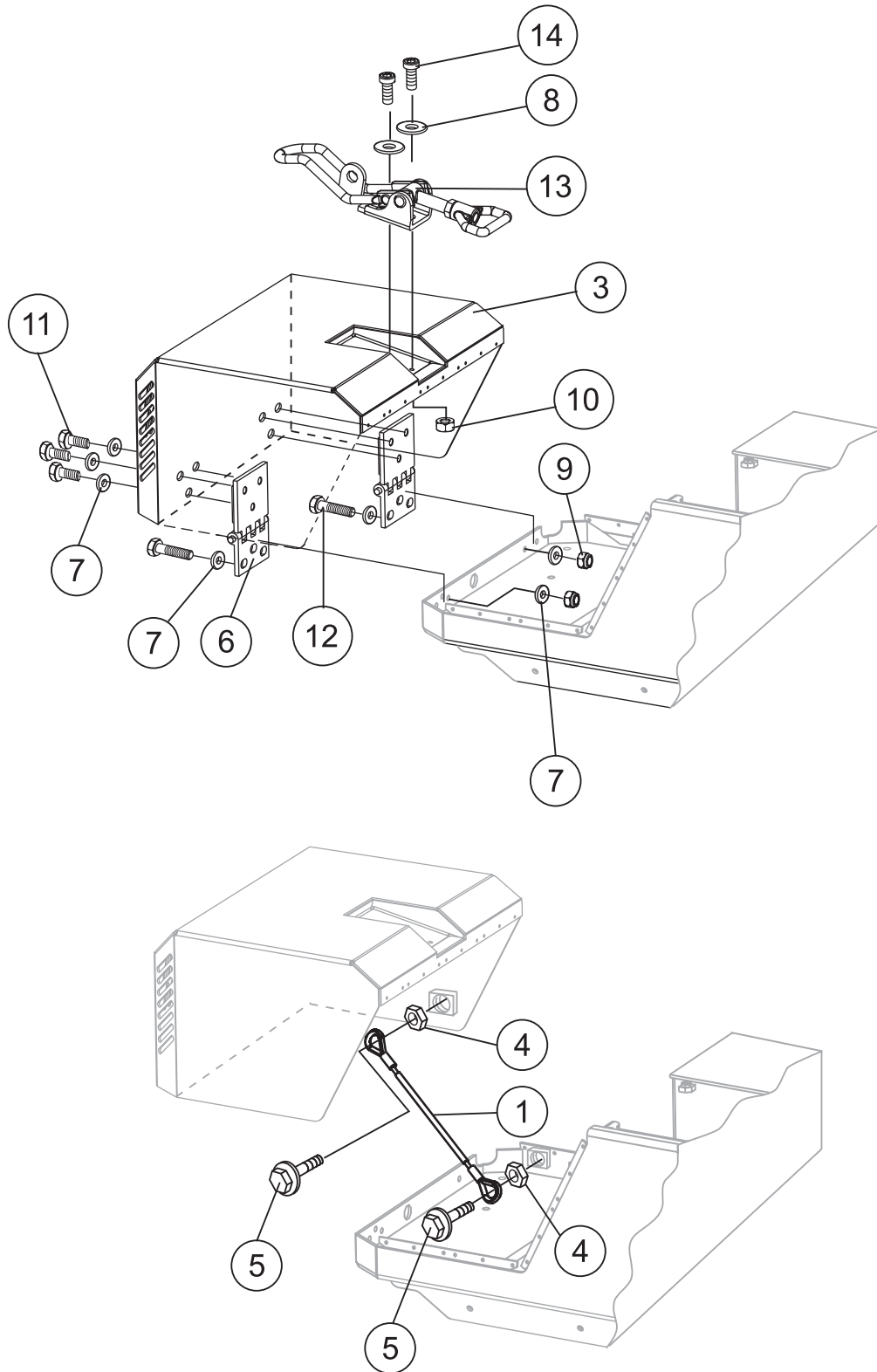
P33/24 FR-FC-FCR— MOUNTING FRAME ASSY.

MOUNTING FRAME ASSY.

<u>NO.</u>	<u>PART NO.</u>	<u>PART NAME</u>	<u>QTY.</u>	<u>REMARKS</u>
1	63093	COVER PLATE, GR.3 GD	1	
2	58431	SPRING WASHER, A 12	8	
3	58025	WASHER, B 6.4	8	
4	63250	BRACKET, ABA 8-12X9	2	
5	63152	CLIP, GR.3 DURCHM. 18	4	
6	63171	CLIP, GR.3D 22X22	1	
7	3-10782	HOSE STEM, 9 S MN 20 K	2	
8	63533	SHOCK MOUNT, 90 X 50 - 45°SHORE	8	
9	55721	HEX BOLT, M12 X 18	8	
10	55904	HEX BOLT, M8 X 45	1	
11	05281	MOUNTING FRAME COMPL.	1	
12	57504	HYDRAULIC FITTING, GE 12 SM	4	
13	57578	HYDRAULIC FITTING, WHO 12 SM	4	
14	54606	ALLEN HEAD CAP SCREW, M6 X 30	8	
15	3-10700	CONSOLE COMPL.	1	

P33/24 FR-FC-FCR— ENGINE COVER PLATE ASSY.

ENGINE COVER PLATE ASSY.



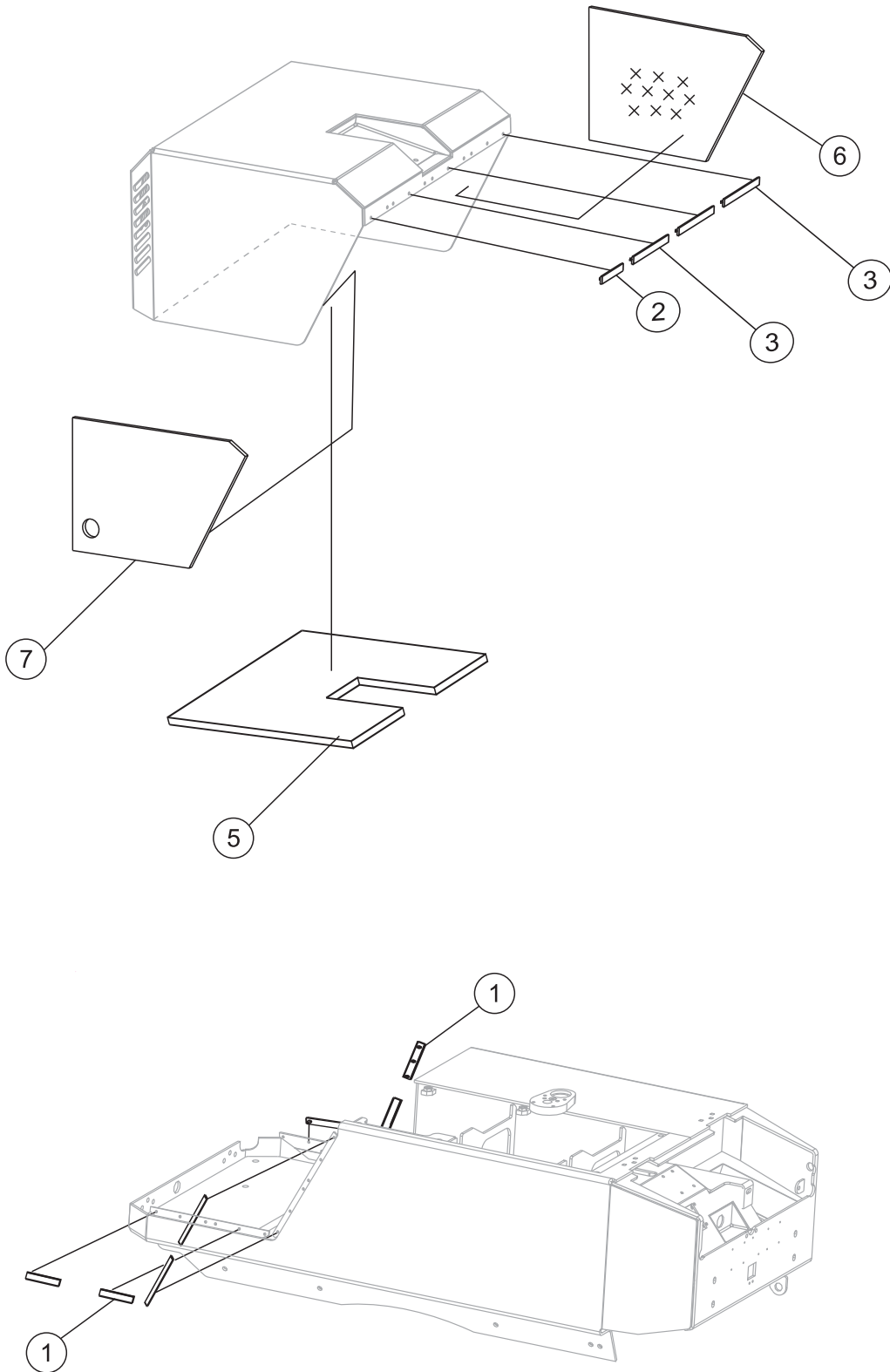
P33/24 FR-FC-FCR— ENGINE COVER PLATE ASSY.

ENGINE COVER PLATE ASSY.

NO.	PART NO.	PART NAME	QTY.	REMARKS
1	3-12015	WIRE CABLE	1	
3	3-10720	ENGINE COVER PLATE	1	
4	07253	PRESS-NUT	2	
5	07254	PRESS-SCREW	2	
6	3-10028	HINGE	2	
7	58125	WASHER, A 10.5 ST	18	
8	58077	WASHER, B 8.4	2	
9	57080	HEX NUT, M10	6	
10	57079	HEX NUT, M8	2	
11	55911	HEX BOLT, M10 X 20	6	
12	55914	HEX BOLT, M10 X 35	6	
13	05725	FASTENER SNAP HOOD	1	
14	54803	ALLEN HEAD CAP SCREW, M8 X 20	2	

P33/24 FR-FC-FCR— INSULATING BOARD ASSY.

INSULATING BOARD ASSY.



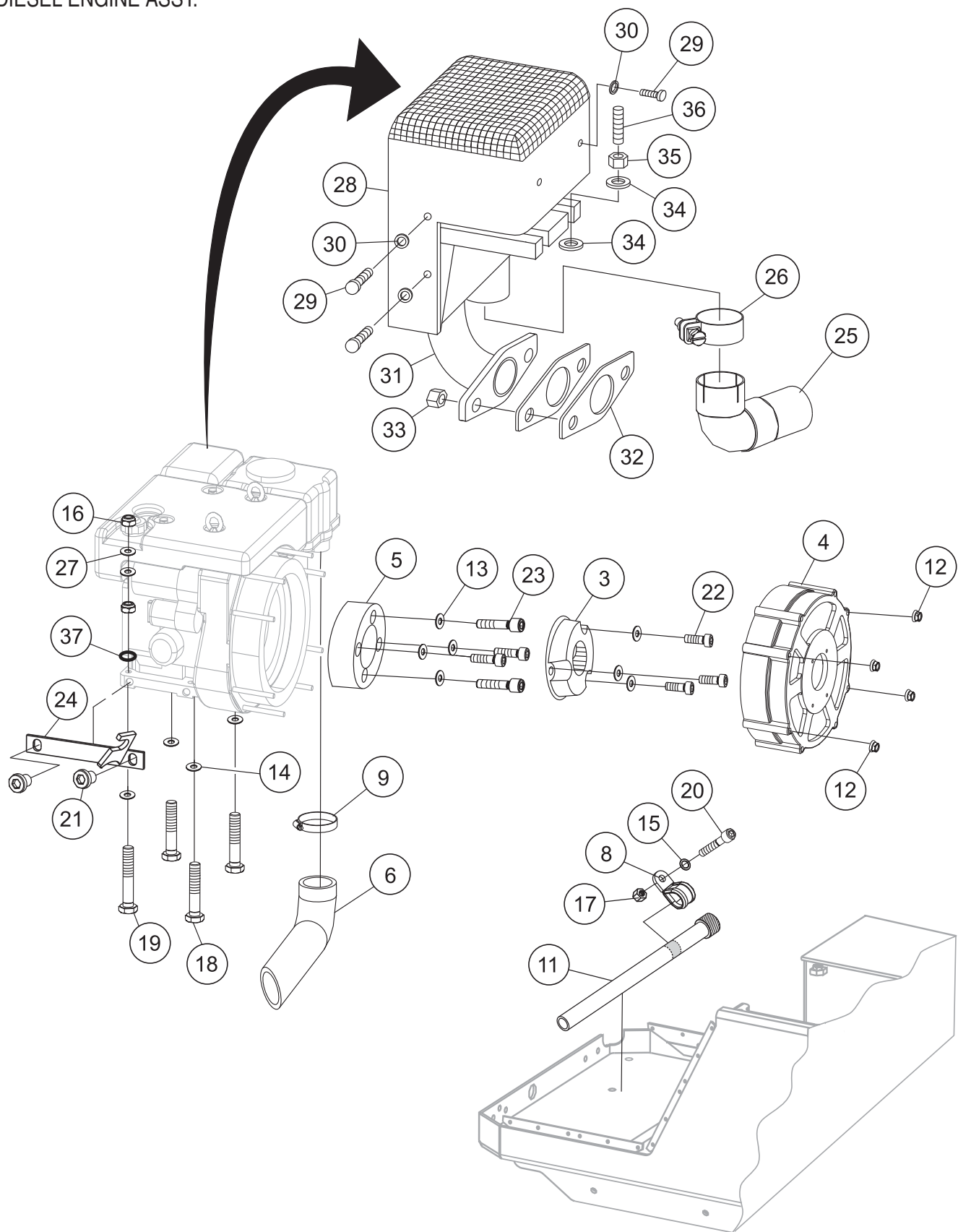
P33/24 FR-FC-FCR— INSULATING BOARD ASSY.

INSULATING BOARD ASSY.

<u>NO.</u>	<u>PART NO.</u>	<u>PART NAME</u>	<u>QTY.</u>	<u>REMARKS</u>
1	05223	SEAL LATH	8	
2	05317	SEAL LATH	1	
3	05594	SEAL LATH	3	
5	3-10830	SOUND DAMPENING PLATE	1	
6	3-10832	SOUND DAMPENING PLATE	1	
7	3-10831	SOUND DAMPENING PLATE	1	

P33/24 FR-FC-FCR— DIESEL ENGINE ASSY.

DIESEL ENGINE ASSY.



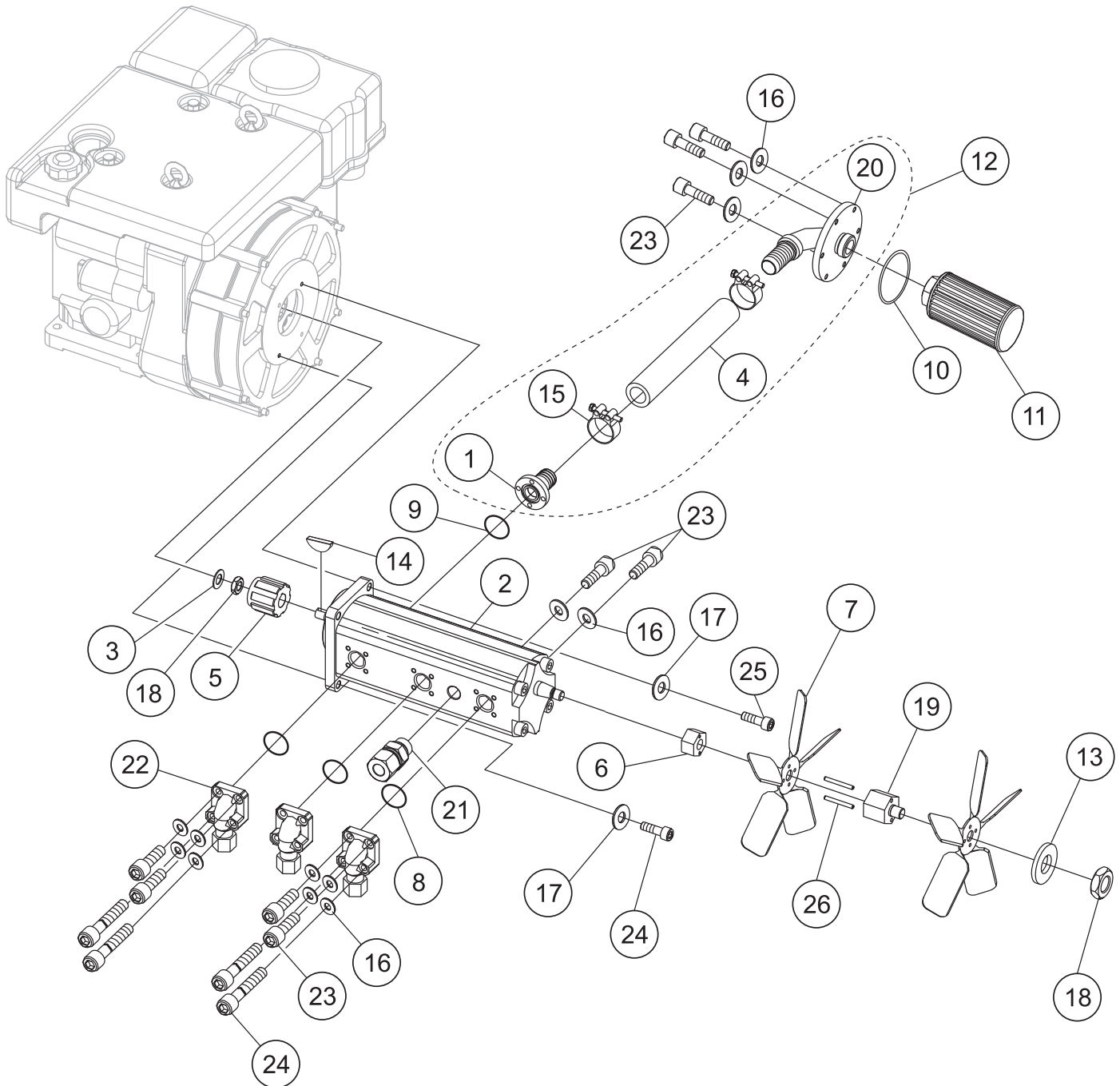
P33/24 FR-FC-FCR— DIESEL ENGINE ASSY.

DIESEL ENGINE ASSY.

<u>NO.</u>	<u>PART NO.</u>	<u>PART NAME</u>	<u>QTY.</u>	<u>REMARKS</u>
3	51041	COUPLING	1	
4	6301514	HOUSING	1	
5	3-10767	COUPLING WASHER	1	
6	05314	AIR SUCTION PIPE	1	
7	49518	DIESEL ENGINE, FARYMANN 43F	1	
8	63061	CLAMP	1	
9	63260	CLAMP	1	
11	9730266	HOSE	1	
13	58334	RETAINING WASHER, S-10	7	
14	58335	RETAINING WASHER, S-12	4	
16	57081	HEX NUT, M12	4	
17	57079	HEX NUT, M8	1	
18	55928	HEX BOLT, M12 X 60	3	
19	55558	HEX BOLT, M12 X 80	1	
20	55904	HEX BOLT, M8 X 45	1	
21	54897	ALLEN HEAD CAP SCREW, M10 X 20	2	
22	54632	ALLEN HEAD CAP SCREW, M10 X 25	3	
23	54511	ALLEN HEAD CAP SCREW, M10 X 50	4	
24	3-10803	THROTTLE VALVE PLATE	1	
25	3-10840	TAIL-PIPE	1	
26	9221982	CLAMP	1	
27	58028	WASHER, B13	2	
28	9251522	PROTECTOR	1	
29	8908112	SCREW, M6X12	8	
30	8900806	WASHER, 10.5	8	
31	1311046	MUFFLER	1	
32	7702914	GASKET	2	
33	5141042	HEX NUT, M10	2	
34	8900806	WASHER, 10.5	6	
35	8903807	HEX NUT, M10	2	
36	8902832	SCREW, M10X25	2	
37	TBD?	TBD?	2	

P33/24 FR-FC-FCR— SUCTION FILTER/HYDRAULIC PUMP ASSY.

SUCTION FILTER/HYDRAULIC PUMP ASSY.



P33/24 FR-FC-FCR— SUCTION FILTER/HYDRAULIC PUMP ASSY.

SUCTION FILTER/HYDRAULIC PUMP ASSY.

<u>NO.</u>	<u>PART NO.</u>	<u>PART NAME</u>	<u>QTY.</u>	<u>REMARKS</u>
1*	3-10784	INTAKE FLANGE	1	
2	50340	HYDRAULIC PUMP, KP 1/8 - 6+3+3	1	
3	58277	SPRING WASHER, B 12	1	
4*	3-10838	HD-HOSE, 1 SN DN 25	1	
5	51042	COUPLING HUB	1	
6	3-10492	COUPLING HALF	1	
7	05462	VENTILATOR, ART.-NR.: 4402	2	
8	62039	O-RING, DURCHM. 18 X 2.5	3	
9	62050	O-RING, DURCHM. 24 X 2.5	1	
10	62115	O-RING, DURCHM. 80 X 4	1	
11	51601	SUCTION FILTER, AS 040-01K	1	
12	3-10812	SUCTION HOSE	1	INCLUDES ITEMS W/*
13	58076	WASHER, 13	1	
14	59027	WOODRUFF KEY, 3 X 6.5	1	
15*	63290	BRACKET, W2 GBS 39/18	2	
16	58324	RETAINING WASHER, S-6 GELB CHROM.	22	
17	58325	RETAINING WASHER, S-8	4	
18	57171	HEX NUT, BM 12 X 1.5	2	
19	3-10230	COUPLING ALUMINIUM	1	
20*	3-10564	COVER COMPL.	1	
21	57456	HYDRAULIC FITTING, GE 12 LM M18X1.5	1	
22	57644	HYDRAULIC FITTING, WF-35LK-12L-315	3	
23	54604	ALLEN HEAD CAP SCREW, M6 X 20	16	
24	54607	ALLEN HEAD CAP SCREW, M6 X 35	8	
25	54619	ALLEN HEAD CAP SCREW, M8 X 25	4	
26	59501	PARALLEL PIN, 4M6 X 36	2	

P33/24 FR-FC-FCR— EMERGENCY STOP BUMPER ASSY.

EMERGENCY STOP BUMPER ASSY.

<u>NO.</u>	<u>PART NO.</u>	<u>PART NAME</u>	<u>QTY.</u>	<u>REMARKS</u>
1	3-10729	EMERGENCY STOP BUMPER W/ HARDWARE	1	INCLUDES ITEMS W/*
2*	90294	PROXIMITY SWITCH, ELOBAU 114010	1	
3*	69713	SPRING BOLT WITH TOP	1	
4*	3-10295	MOUNTING BOW, DD 11 4MM STANDARD	2	
5*	05628	BEARING BUSH, PUR-95_SHORE	2	
6*	3-10728	EMERGENCY STOP BUMPER	1	
7*	3-10725	TRIP CAM, S235JR 20MM	1	
8*	58027	WASHER, B 10.5	4	
9*	58038	WASHER, B 4.3	2	
10*	05625	LEG SPRING	1	
11*	05626	LEG SPRING	1	
12*	58334	RETAINING WASHER, S-10	1	
13*	57161	HEX NUT, BM 20X1.5	2	
14*	57080	HEX NUT, M10	4	
15*	57076	HEX NUT, M4	2	
16*	57030	HEX NUT, M10	2	
17*	55912	HEX BOLT, M 10X25	4	
18*	55671	HEX BOLT, M 10X50	1	
19*	56134	ALLEN HEAD CAP SCREW, AM 4X20	2	
20*	54812	ALLEN HEAD CAP SCREW, M 10X25	1	

P33/24 FR-FC-FCR— COCKPIT COVER ASSY.

COCKPIT COVER ASSY.

Caution!

1. Read instruction manual before operation.
2. Never leave machine unattended with the engine running.
3. Keep unauthorized and untrained people away from machine during operation.
4. Do not tow or push machine.
5. When parked on a slope, block drums to prevent machine movement.
6. Exhaust gases are dangerous. DO NOT operate or run machine in an enclosed area.
7. Wear safety clothing and devices as required.
8. Always place forward and reverse lever in neutral position before starting machine.
9. Before starting or resuming work, operator must check that no one is in the operating area.
10. Keep away from edges and steep slopes. Do not operate machine close to embankments or open trenches.
11. When traveling up or down slopes, limit travel to straight up and down at low speed only.
12. Be sure to stop engine whenever maintenance or refueling is being performed.

20

Achtung

Beim Fahren mit Fernsteuerung sowie beim Parken der Maschine muss der Deckel geschlossen sein.

Attention

During driving with remote control and during parking the machine the cover must be closed.

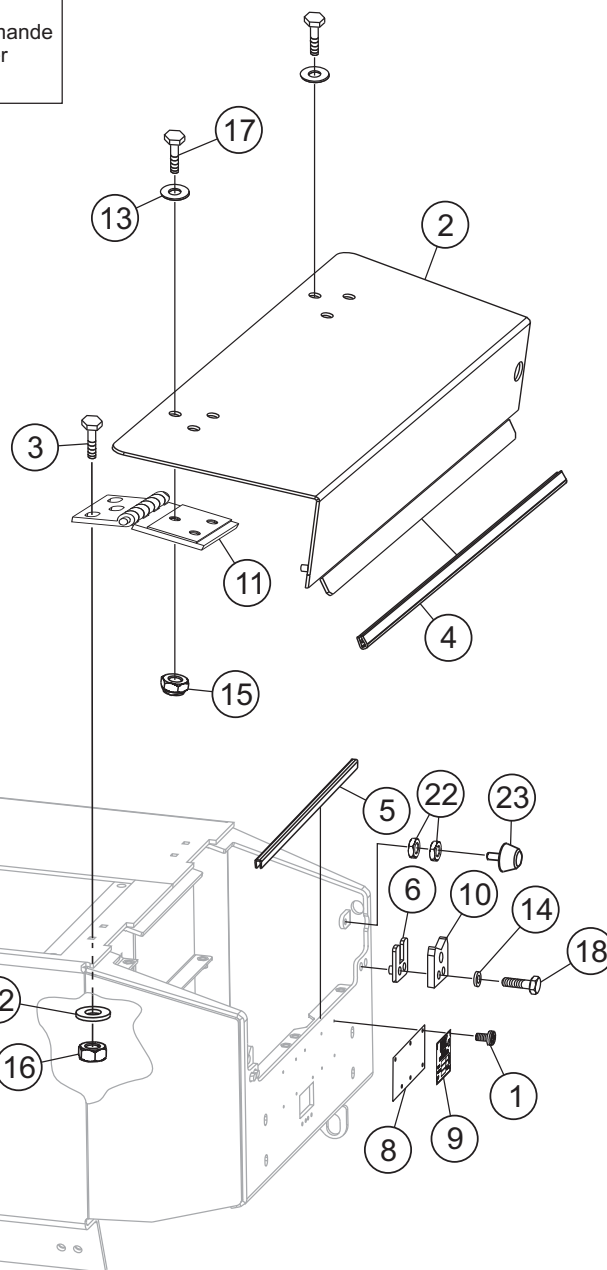
Attention

Pendant conduire avec commande à distance et pendant parquer la machine, le c

21



19



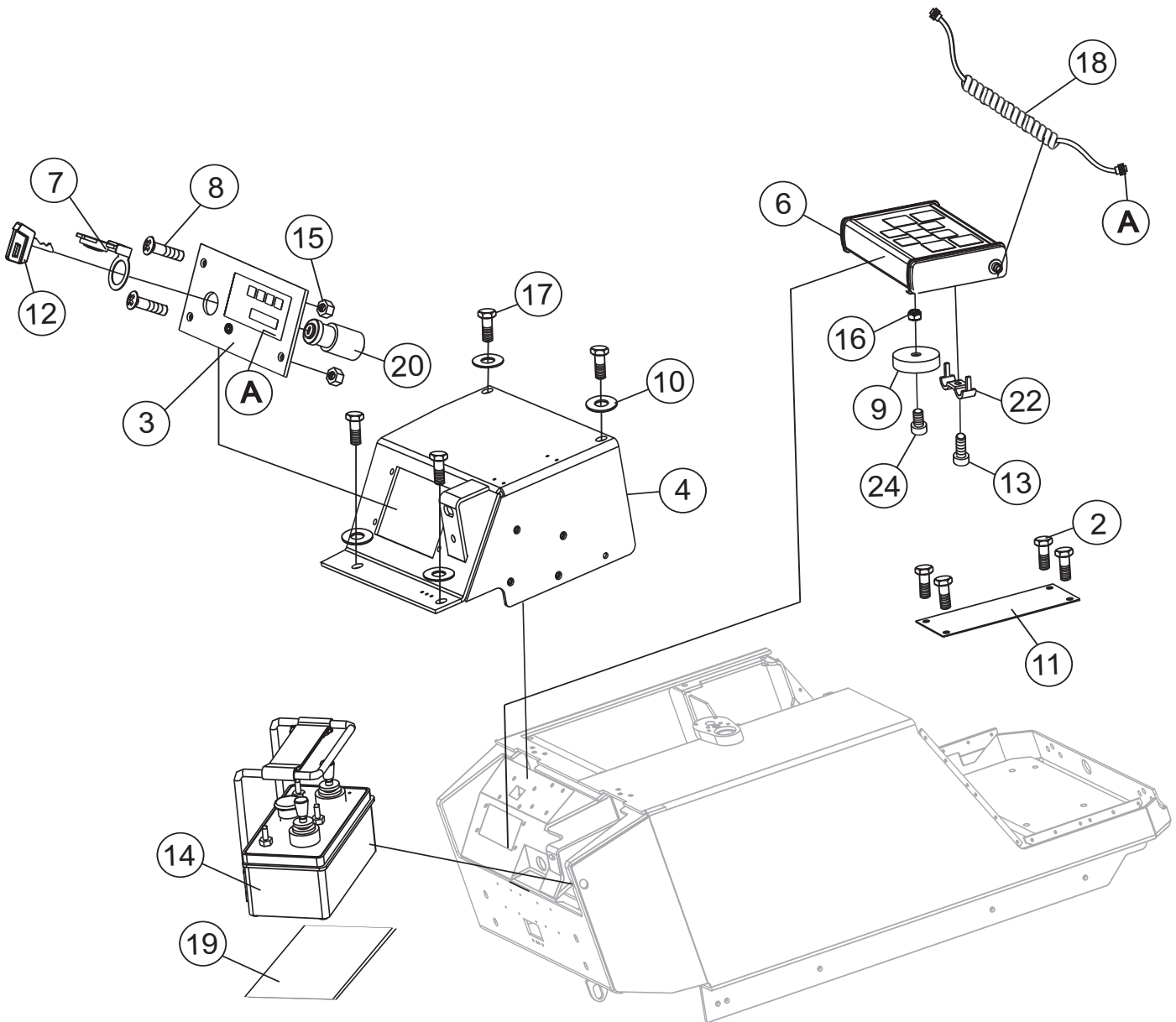
P33/24 FR-FC-FCR— COCKPIT COVER ASSY.

COCKPIT COVER ASSY.

<u>NO.</u>	<u>PART NO.</u>	<u>PART NAME</u>	<u>QTY.</u>	<u>REMARKS</u>
1	56251	PARKER SCREW 3.5 X 6.5	6	
2	3-10923	COCKPIT COVER, COMPLETE	1	
3	56355	HEX BOLT M8 X 25	4	
4	3-10893	EDGE PROTECTION	1	
5	3-10894	EDGE PROTECTION	1	
6	3-10921	CLAMPING PLATE	2	
8	39563	OPERATING PLATE	1	
9	39573	OPERATING PLATE	1	
10	3-10884	DETENT	2	
11	3-10028	HINGE	2	
12	58077	WASHER 8.5	4	
13	58027	WASHER, B 10.5	6	
14	58025	WASHER B 6,4	4	
15	57080	HEX NUT, M10	6	
16	57029	HEX NUT, M8	6	
17	55912	HEX BOLT, M10X25	6	
18	55889	HEX BOLT M6 X 30	4	
19	39789	DECAL TRANSMITTER	1	
20	39580	DECAL CAUTION	1	
21	39672	DECAL ATTENTION	1	
22	63549	BUFFER	2	
23	57129	HEX NUT, M8	4	

P33/24 FR-FC-FCR— COCKPIT ASSY.

COCKPIT ASSY.

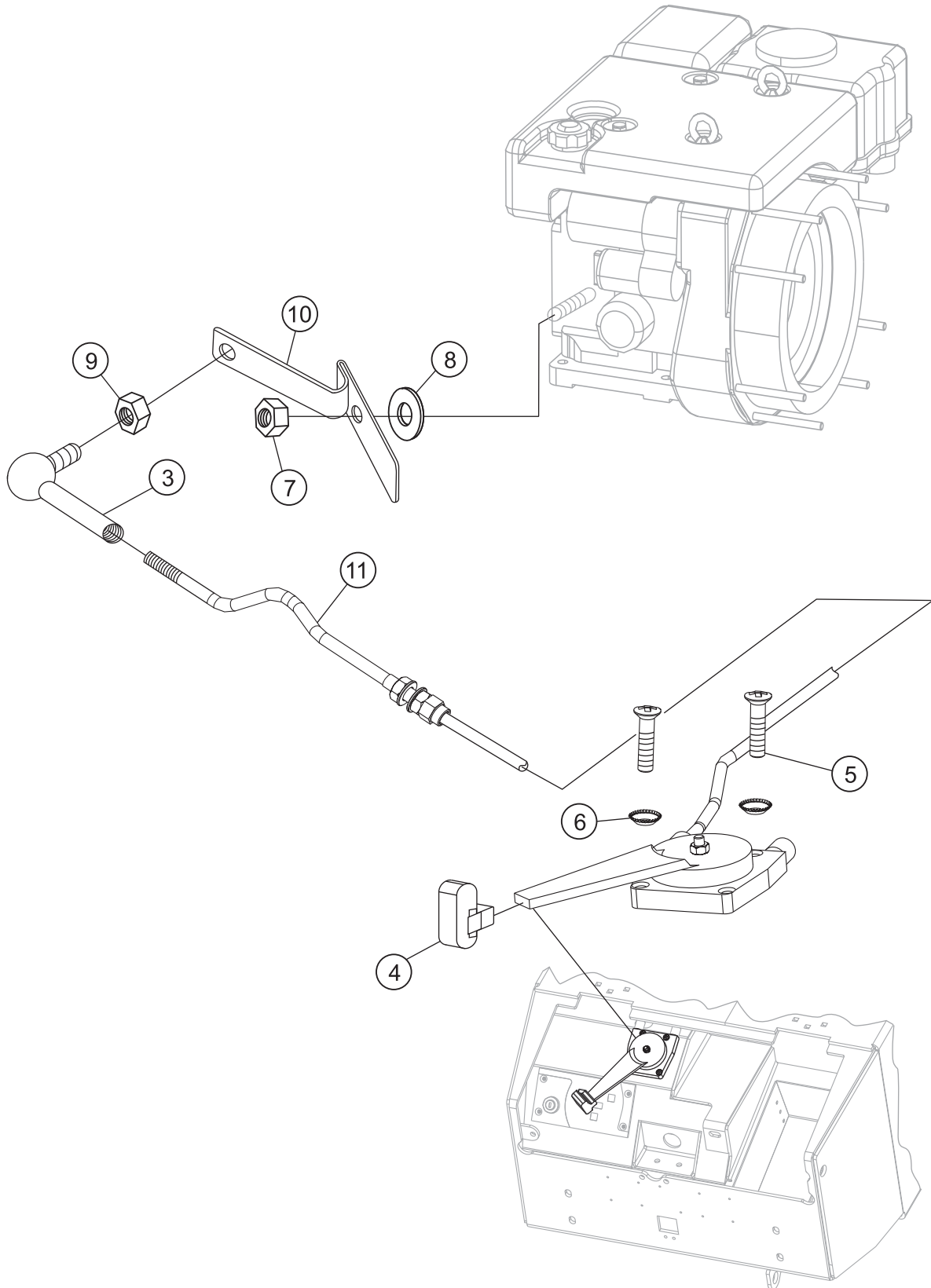


COCKPIT ASSY.

<u>NO.</u>	<u>PART NO.</u>	<u>PART NAME</u>	<u>QTY.</u>	<u>REMARKS</u>
2	56251	PARKER SCREW 3.5 X 6.5	4	
3	68562	COCKPIT	1	
4	3-10848	COCKPIT COVER, COMPLETE	1	
6	68563	MANUAL CONTROL BOX	1	
7	52026	HINGED COVER	1	
8	56222	SCREW, M5X20	4	
9	68276	MAGNET, 50	1	
10	58027	WASHER	8	
11	39638	PLATE	1	
12	52007	KEY	1	
13	56153	SCREW, M4X10	1	
15	57077	HEX NUT	4	
16	57079	HEX NUT, M8	1	
17	55911	HEX BOLT, M10X20	8	
18	68566	HELIX CABLE	1	
19	3-10924	CELLULAR RUBBER PLATE	1	
20	52012	STARTER SWITCH	1	
22	63301	STRAIN RELIEF	1	
24	54803	ALLEN HEAD CAP SCREW, M8X20	1	

P33/24 FR-FC-FCR—THROTTLE CABLE ASSY.

THROTTLE CABLE ASSY.



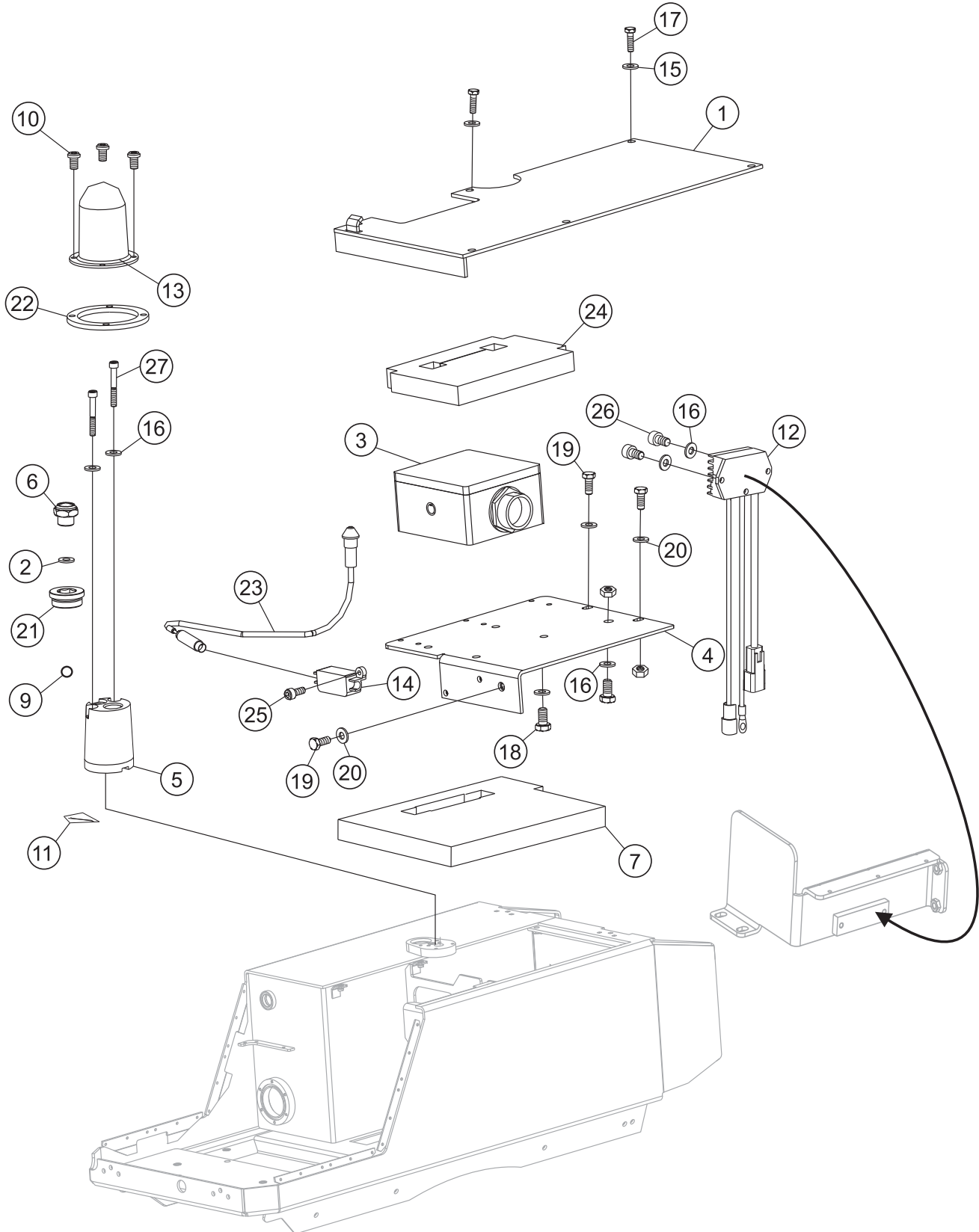
P33/24 FR-FC-FCR—THROTTLE CABLE ASSY.

THROTTLE CABLE ASSY.

<u>NO.</u>	<u>PART NO.</u>	<u>PART NAME</u>	<u>QTY.</u>	<u>REMARKS</u>
3	63915	ANGLE JOINT	1	
4	64551	KNOB, RED	1	
5	56222	SCREW, M5X20	4	
6	58269	TOOTHED LOCK WASHER	4	
7	8903805	HEX NUT, M8	1	
8	8906603	TOOTHED WASHER	1	
9	57078	HEX NUT, M6	1	
10	9052224	LEVER	1	
11	64541	THROTTLE CABLE COMPL.	1	

P33/24 FR-FC-FCR— CONSOLE COMPONENTS ASSY.

CONSOLE COMPONENTS ASSY.



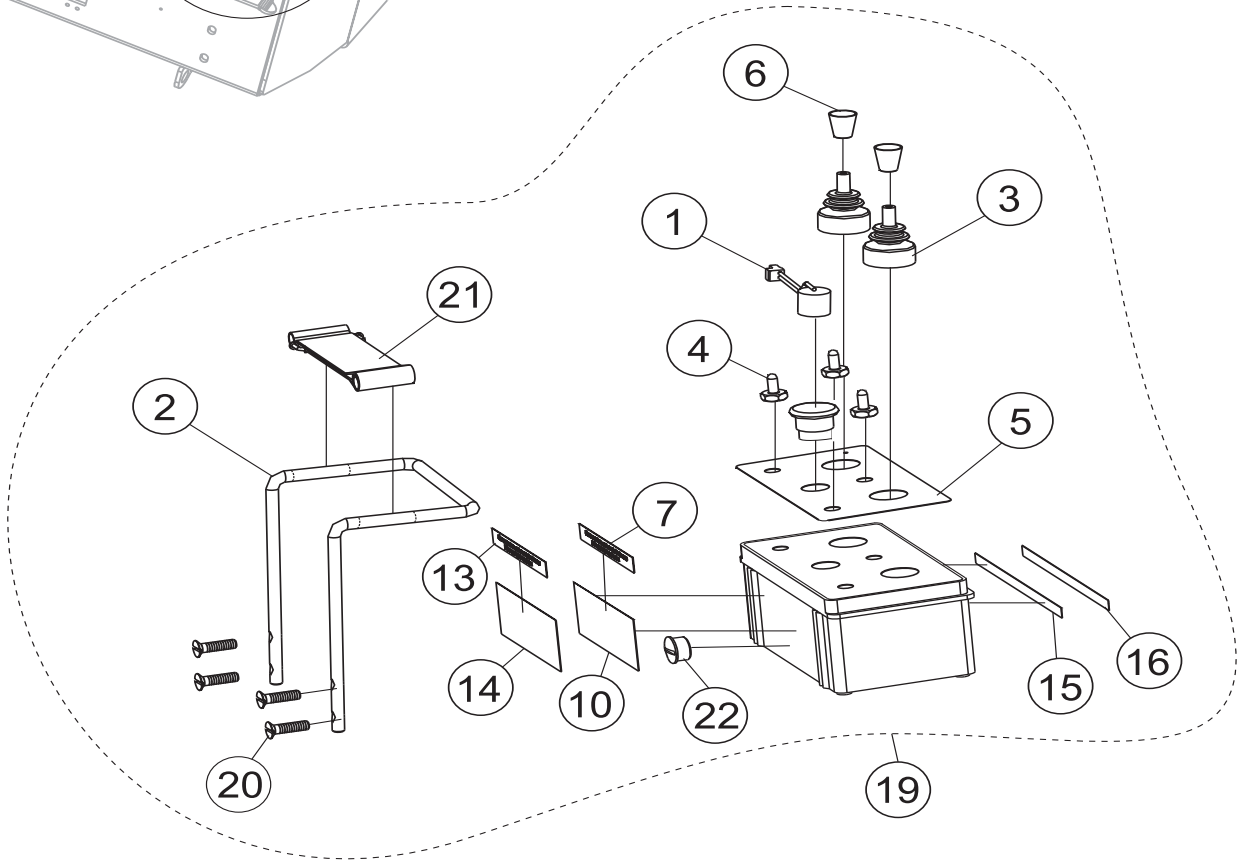
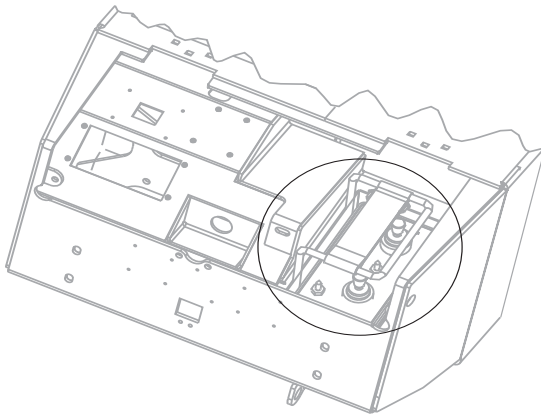
P33/24 FR-FC-FCR— CONSOLE COMPONENTS ASSY.

CONSOLE COMPONENTS ASSY.

<u>NO.</u>	<u>PART NO.</u>	<u>PART NAME</u>	<u>QTY.</u>	<u>REMARKS</u>
1	3-10718	BATTERY COVER COMPL.	1	
2	58618	COPPER RING, 10X14X1	1	
3	68561	BLACK BOX	1	
4	3-10920	RECEIVER HOLDING LATH COMPL.	1	
5	3-10060	RECEIVER CONE SUPPORT, EYE	1	
6	51618	AERATION	1	
7	3-10225	FOAM RUBBER	1	
9	51219	BALL	1	
10	56218	SCREW, M6X10	4	
11	62029	O-RING	1	
12	90292	VOLTAGE REGULATOR	1	
13	3-10085	PROTECTING CAP, RECEIVER EYE	1	
14	68745	FUSE HOLDER	1	
15	58027	RETAINING WASHER, S-10	6	
16	58325	RETAINING WASHER, S-8	7	
17	55913	HEX BOLT, M10X35	6	
18	55900	HEX BOLT, M8X16	3	
19	55901	HEX BOLT, M8X20	3	
20	58222	LOCK WASHER, 8.4X18X2	3	
21	58885	DRAIN PLUG, M40X1.5	1	
22	3-10627	REINFORCEMENT, 3-73050 DD11 5MM	1	
23	68333	RECEIVER EYE	1	
24	3-10303	CELLULAR RUBBER PLATE, T=25MM	1	
25	54551	ALLEN HEAD CAP SCREW, M6X16	2	
26	54617	ALLEN HEAD CAP SCREW, M8X14	2	
27	54048	ALLEN HEAD CAP SCREW, M8X60	2	

P33/24 FR-FC-FCR—TRANSMITTER CONTROL BOX ASSY.

TRANSMITTER CONTROL BOX ASSY.



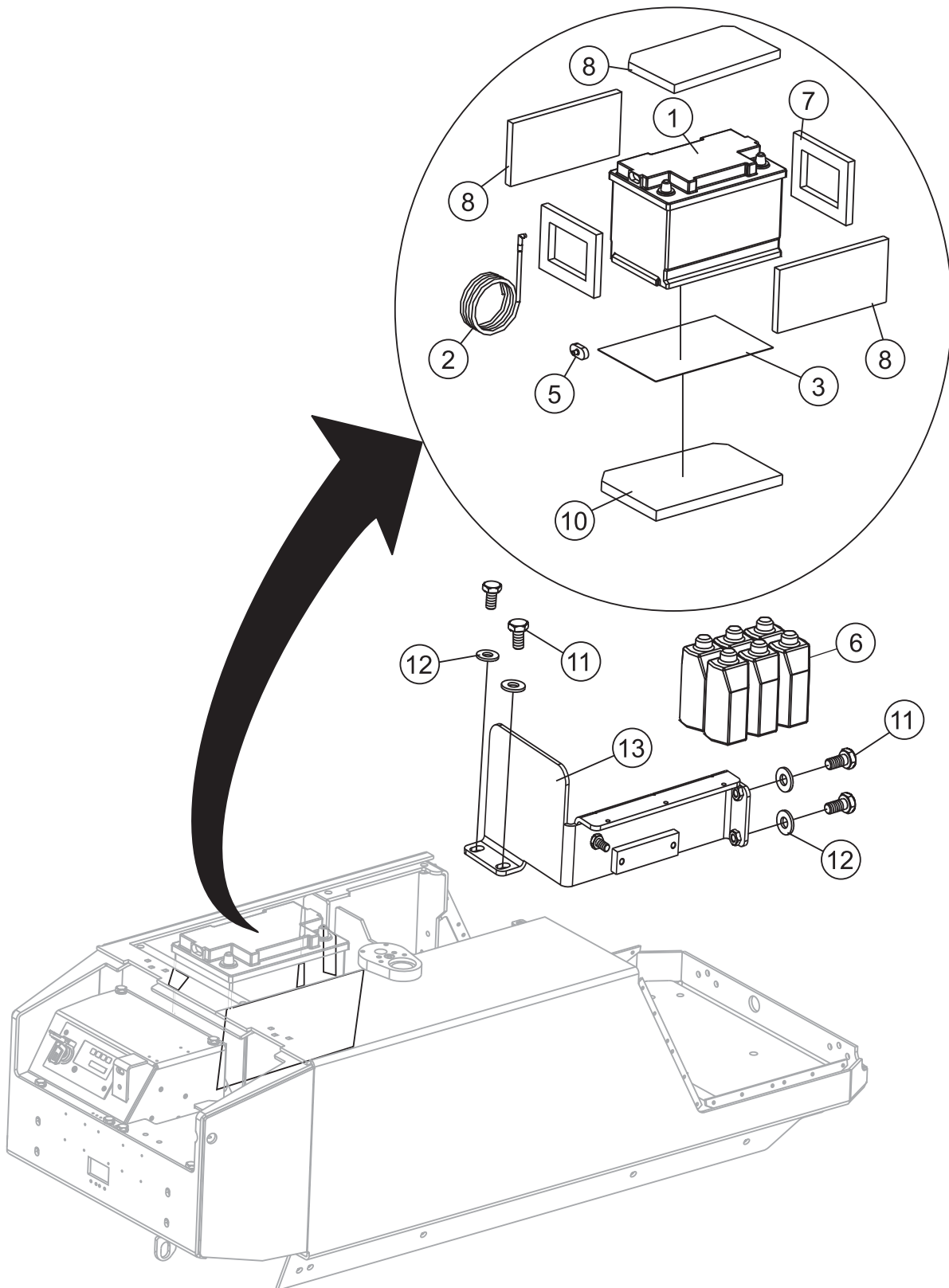
P33/24 FR-FC-FCR—TRANSMITTER CONTROL BOX ASSY.

TRANSMITTER CONTROL BOX ASSY.

<u>NO.</u>	<u>PART NO.</u>	<u>PART NAME</u>	<u>QTY.</u>	<u>REMARKS</u>
1*	68334	ACCUMULATOR	1	
2*	3-10056	BOW	1	
3*	68511	RUBBER COLLAR	2	
4*	68305	RUBBER PROTECTING CAP	3	
5*	39668	STICKER	1	
6*	68542	KNOB	2	
7*	39593	PVC-STICKER, ENGLISH	1	
10*	39631	PVC-STICKER, ENGLISH	1	
13*	39634	PVC-STICKER, ENGLISH	1	
14*	39651	PVC-STICKER, ENGLISH	1	
15*	39690	PVC-STICKER, ENGLISH	1	
16*	39691	PVC-STICKER, ENGLISH	1	
19	3-10455	TRANSMITTER COMPL.	1	INCLUDES ITEMS W/*
20*	56004	SCREW, M4X16	4	
21*	3-10456	STRAP	1	
22*	68675	DRAIN PLUG, PG-7	1	

P33/24 FR-FC-FCR— BATTERY ASSY.

BATTERY ASSY.



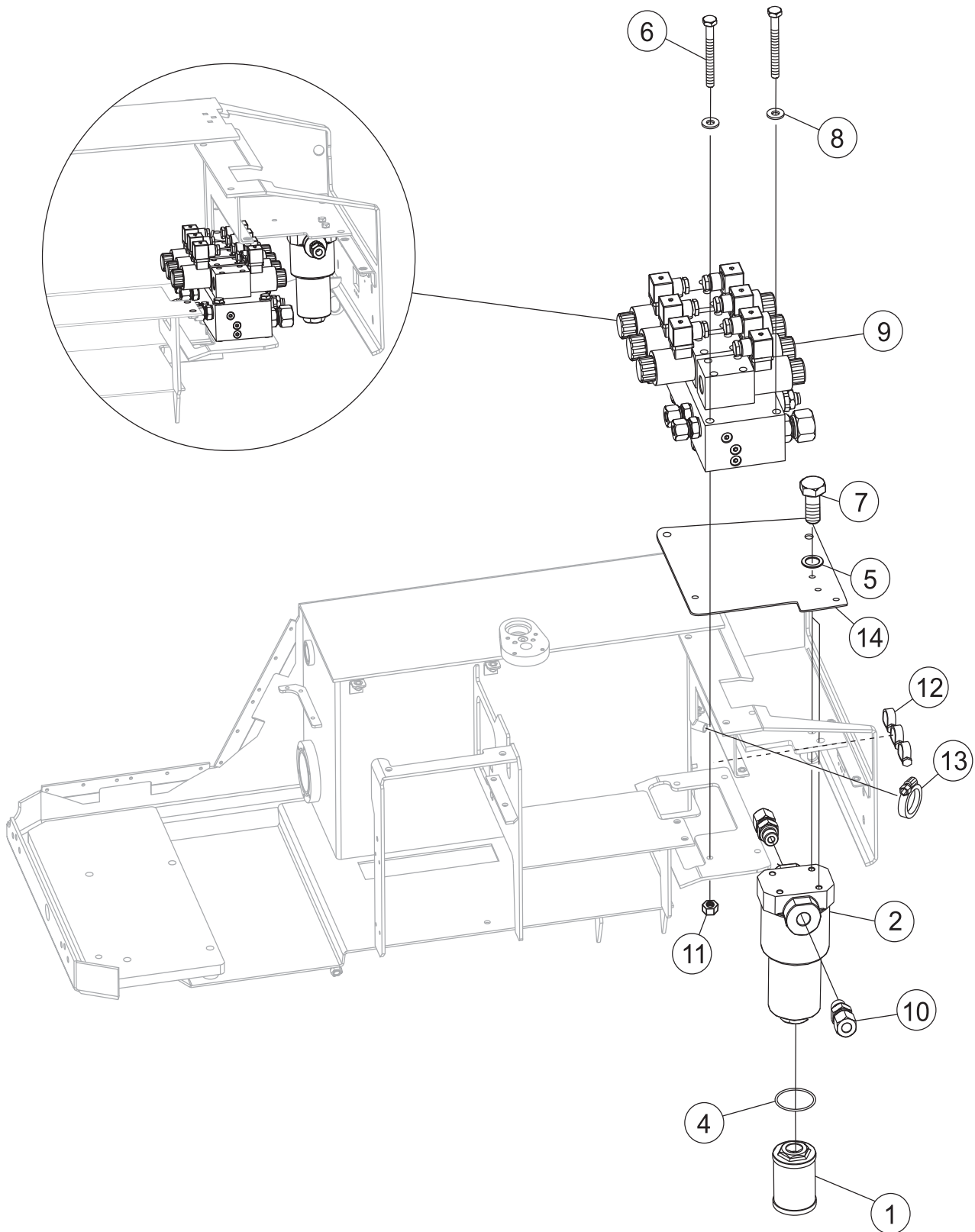
P33/24 FR-FC-FCR— BATTERY ASSY.

BATTERY ASSY.

<u>NO.</u>	<u>PART NO.</u>	<u>PART NAME</u>	<u>QTY.</u>	<u>REMARKS</u>
1	50657	BATTERY	1	
2	3-10447	BATTERY AIRING	1	
3	3-10327	STEEL PLATE, V2A	1	
5	3-10366	FUSE BACKFIRE, BANNER 305 002 0502	1	
6		ACID PACKAGE, BIG	1 SOURCE LOCALLY
7	3-10304	CELLULAR RUBBER PLATE, EPDM	2	
8	3-10305	CELLULAR RUBBER PLATE, EPDM	3	
10	3-10307	CELLULAR RUBBER PLATE, EPDM	1	
11	55911	HEX BOLT, M10X20	4	
12	58221	LOCK WASHER, 10.5 X 23 X 2.5	4	
13	3-10860	BATTERY HOLDING ANGLE	1	

P33/24 FR-FC-FCR—VALVE BLOCK 1 ASSY.

VALVE BLOCK 1 ASSY.



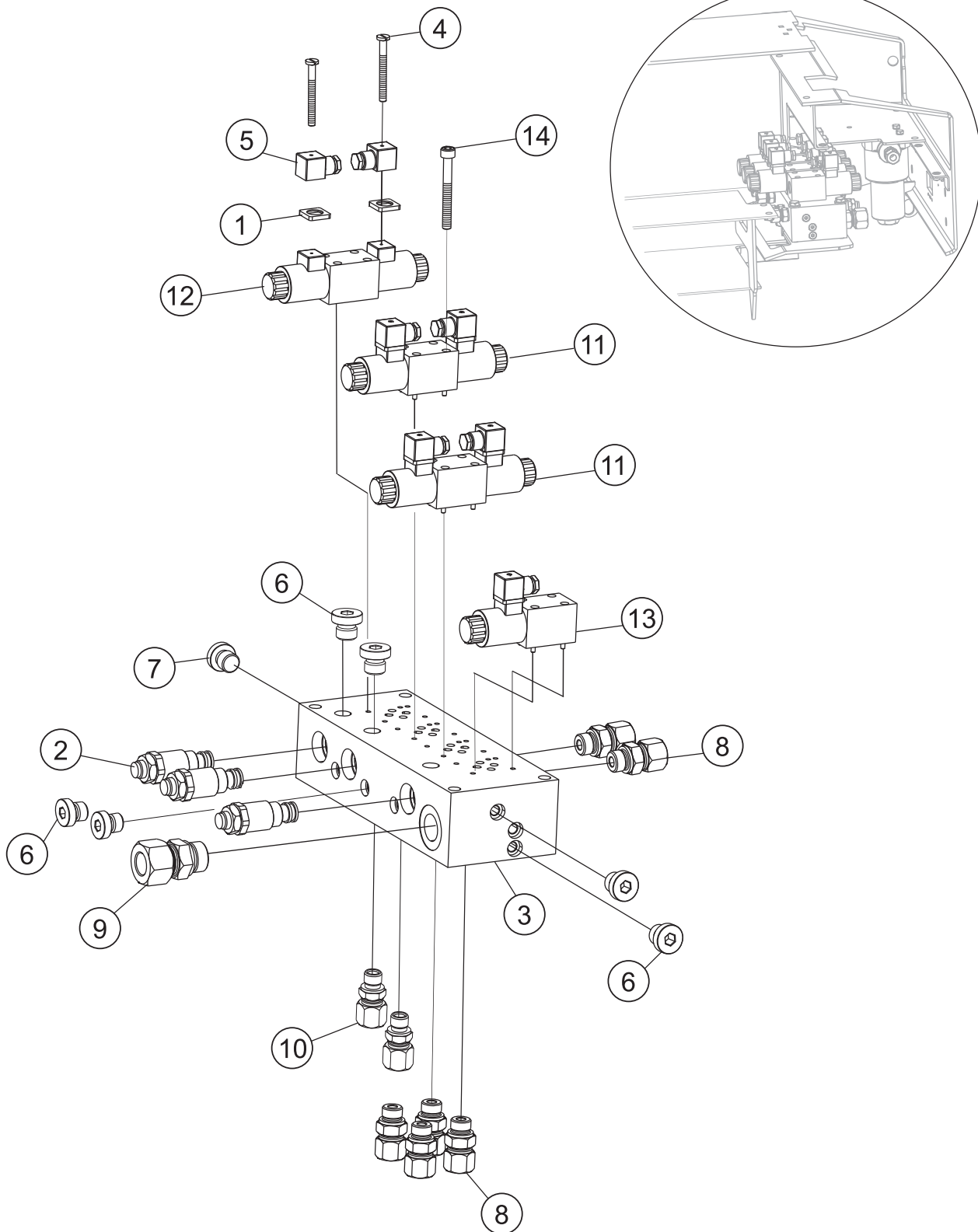
P33/24 FR-FC-FCR— VALVE BLOCK 1 ASSY.

VALVE BLOCK 1 ASSY.

<u>NO.</u>	<u>PART NO.</u>	<u>PART NAME</u>	<u>QTY.</u>	<u>REMARKS</u>
1	51619	FILTER INSERT, V3.0510-08	1	
2	51617	HIGH-PRESSURE FILTER	1	
4	51620	O-RING, N 007.0543/1	1	
5	58325	RETAINING WASHER, S-8	2	
6	55533	HEX BOLT, M10X95	4	
7	55901	HEX BOLT, M8X20	2	
8	58077	LOCK WASHER, 10.5X23X2.5	4	
9	3-10841	VALVE BLOCK	1	
10	57504	HYDRAULIC FITTING, GE 12 SM	2	
11	57079	HEX NUT, M8	4	
12	63250	BRACKET, ABA 8-12X9	3	
13	63259	BRACKET, D 19-28	1	
14	3-10849	SUPPORT SHEET	1	

P33/24 FR-FC-FCR—VALVE BLOCK 2 ASSY.

VALVE BLOCK 2 ASSY.



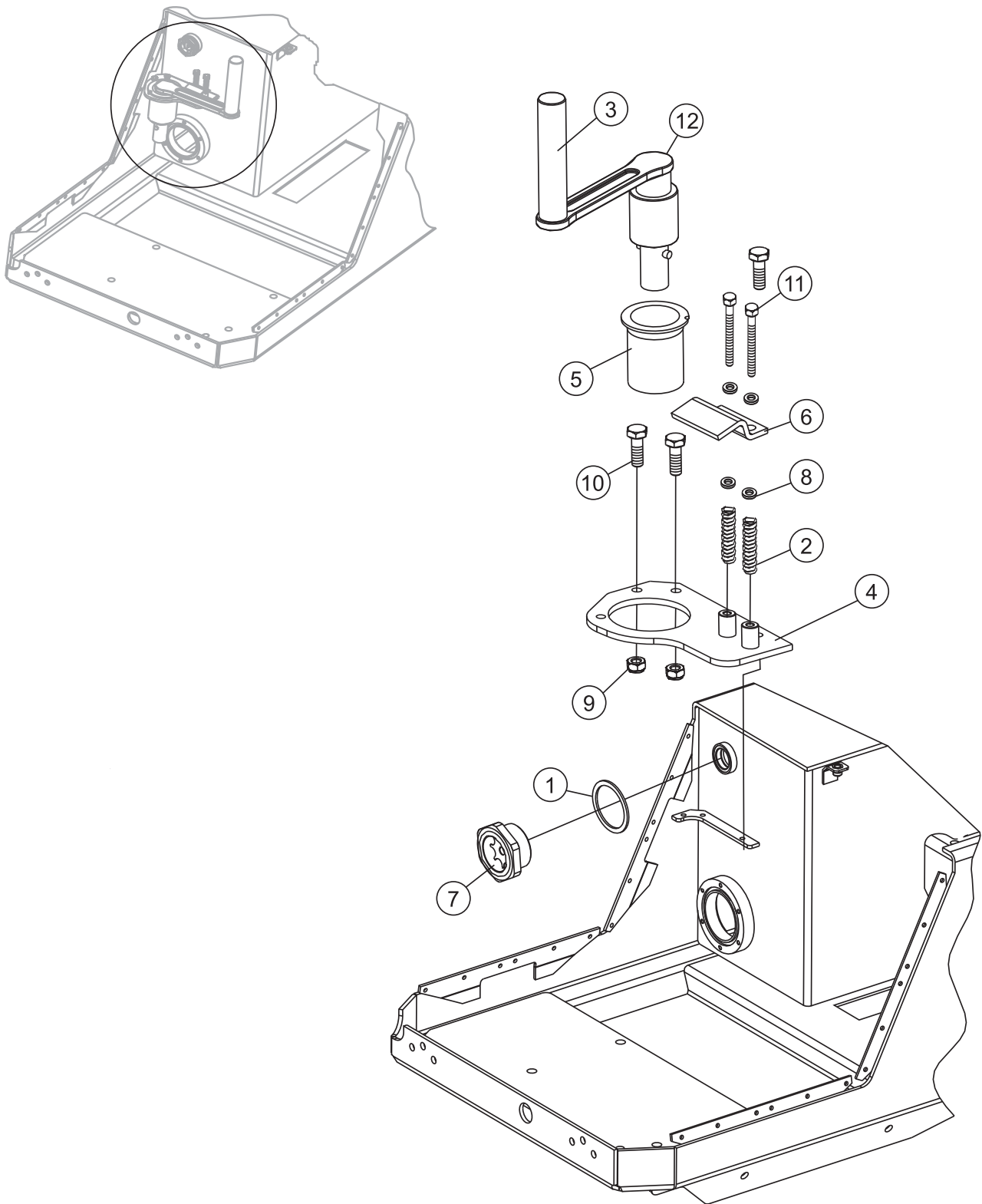
P33/24 FR-FC-FCR— VALVE BLOCK 2 ASSY.

VALVE BLOCK 2 ASSY.

<u>NO.</u>	<u>PART NO.</u>	<u>PART NAME</u>	<u>QTY.</u>	<u>REMARKS</u>
1	52050	CONNECTOR SEAL	7	
2	48126	VALVE, DBD 04 E2 A 320 275 BAR	3	
3	3-10810	VALVE BLOCK, MEWESTA	1	
4	52056	SCREW, M3X30	7	
5	50769	COUPLER (MAGNET)	7	
6	58873	DRAIN PLUG, VSTI R 1/8"	9	
7	58874	DRAIN PLUG, VSTI R 1/4"	1	
8	57504	HYDRAULIC FITTING, GE 12 SM	8	
9	57509	HYDRAULIC FITTING, GE 20 SM	1	
10	57515	HYDRAULIC FITTING, GE 15 LM	2	
11	3-48122	STEERING VALVE	2	
12	3-48123	VIBRATION VALVE	1	
13	3-48124	HIGH SPEED VALVE	1	
14	54010	ALLEN HEAD CAP SCREW, M5X45	16	

P33/24 FR-FC-FCR— OPTIONAL STARTING CRANK ASSY.

OPTIONAL STARTING CRANK ASSY.



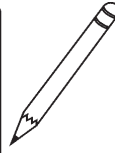
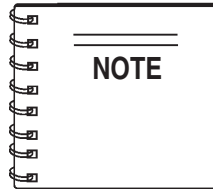
P33/24 FR-FC-FCR— OPTIONAL STARTING CRANK ASSY.

OPTIONAL STARTING CRANK ASSY.

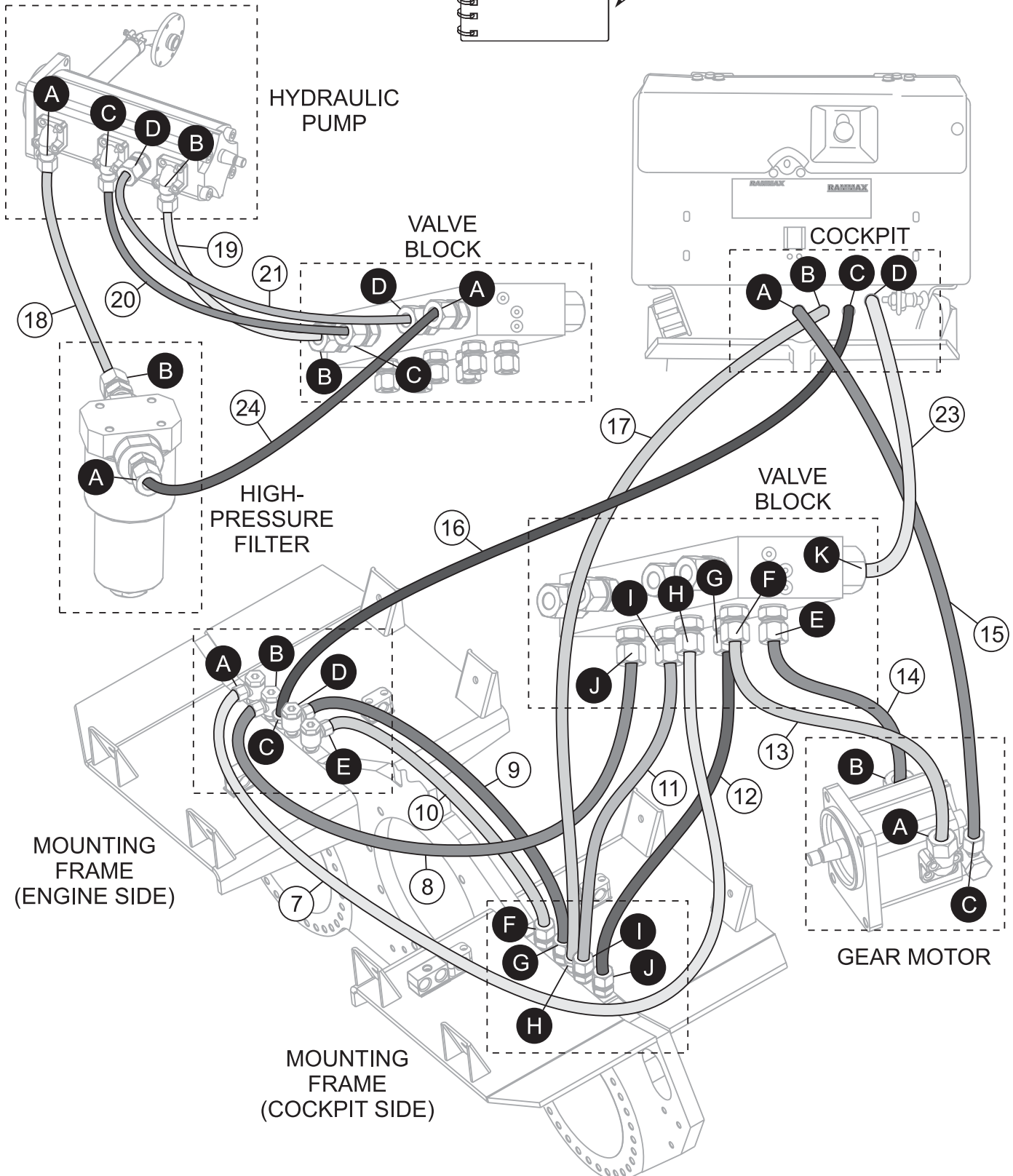
<u>NO.</u>	<u>PART NO.</u>	<u>PART NAME</u>	<u>QTY.</u>	<u>REMARKS</u>
1	62951	GASKET	1	
2	59074	SPRING	2	
3	1102656	STARTING CRANK	1	
4	3-10776	CRANK SUPPORT	1	
5	05329	CRANK SUPPORT, RUND D=70	1	
6	3-10775	BLANK HOLDER, DD11 3MM	1	
7	51750	OIL LEVEL GAUGE, MOD. 240/AS R1	1	
8	58025	WASHER, B6.4	4	
9	57078	HEX NUT, M6	3	
10	55896	HEX BOLT, M6X18	3	
11	55515	HEX BOLT, M6X40	2	
12	90290	OPTION STARTING CRANK HANDLE	1	

P33/24 FR-FC-FCR— HRDRAULIC HOSE LAYOUT ASSY.

HYDRAULIC HOSE LAYOUT ASSEMBLY



FOR LOCATION OF COMPONENTS SEE COMPONENT LOCATOR DRAWING ON PREVIOUS PAGE.



P33/24 FR-FC-FCR— HYDRAULIC HOSE LAYOUT ASSY.

HYDRAULIC HOSE LAYOUT ASSY.

NO.	PART NO.	PART NAME	QTY.	REMARKS
7	67261	HD-HOSE	1	2 SN DN 10 X 1360 DKOS 90° 12S/DKOS 12S
8	67262	HD-HOSE	1	2 SN DN 10 X 1180 DKOS 12S/DKOS 12S
9	67263	HD-HOSE	1	2 SN DN 10 X 850 DKOS 90° 12S/DKOS 12S
10	67264	HD-HOSE	1	2 SN DN 10 X 700 DKOS 90° 12S/DKOS 12S
11	67265	HD-HOSE	1	2 SN DN 10 X 345 DKOS 90° 12S/DKOS 90° 12S V=345°
12	67266	HD-HOSE	1	2 SN DN 10 X 305 DKOS 90° 12S/DKOS 90° 12S V=345°
13	67255	HD-HOSE	1	2 SN DN 12 X 800 DKOL 15L/DKOL 15L
14	67256	HD-HOSE	1	2 SN DN 12 X 700 DKOL 15L/DKOL 15L
15	67269	HD-HOSE	1	2 TE-DN 06 X 1120
16	67270	HD-HOSE	1	2 TE-DN 06 X 1300
17	67271	HD-HOSE	1	2 TE-DN 06 X 600
18	67346	HD-HOSE	1	2 SN DN 10 X 1090 DKOS 45° 12S/DKOL 90° 12L V=90°
19	67260	HD-HOSE	1	2 SN DN 10 X 560 DKOL 90° 12L/DKOS 12S
20	67258	HD-HOSE	1	2 SN DN 10 X 680 DKOL 90° 12L/DKOS 12S
21	67259	HD-HOSE	1	2 SN DN 10 X 590 DKOL 90° 12L/DKOS 12S
23	67268	HD-HOSE	1	1 SN DN 16 X 490 DKOS 90° 12S
24	67267	HD-HOSE	1	2 SN DN 10 X 685 DKOS 90° 12S/DKOS 45° 12S

Table 2. Hydraulic Hose Layout

ITEM NO.	DESTINATION	
	FROM	TO
7	FRAME PORT A	VALVE BLOCK PORT H
8	FRAME PORT B	VALVE BLOCK PORT J
8	FRAME PORT D	FRAME PORT G
10	FRAME PORT E	FRAME PORT F
11	FRAME PORT I	VALVE BLOCK PORT I
12	FRAME PORT J	VALVE BLOCK PORT G
13	VALVE BLOCK PORT F	GEAR MOTOR PORT A
14	VALVE BLOCK PORT E	GEAR MOTOR PORT B
15	GEAR MOTOR PORT C	COCKPIT PORT A
16	FRAME PORT C	COCKPIT PORT C
17	FRAME PORT H	COCKPIT PORT B
18	HYDRAULIC PUMP PORT A	HIGH PRESSURE FILTER PORT B
19	HYDRAULIC PUMP PORT B	VALVE BLOCK PORT B
20	HYDRAULIC PUMP PORT C	VALVE BLOCK PORT C
21	HYDRAULIC PUMP PORT D	VALVE BLOCK PORT D
23	VALVE BLOCK PORT K	COCKPIT PORT D
24	HIGH PRESSURE FILTER PORT A	VALVE BLOCK PORT A