

OPERATION AND PARTS MANUAL



JTN RIDE-ON TROWEL

MODEL # _____

SERIAL # _____

Revision #5 (08/03/06)



MULTIQUIP INC.

18910 WILMINGTON AVE.
CARSON, CALIFORNIA 90746
310-537-3700
800-421-1244
FAX: 310-537-3927

E-mail: mq@multiquip.com • www.multiquip.com

PARTS DEPARTMENT:

800-427-1244
FAX: 800-672-7877

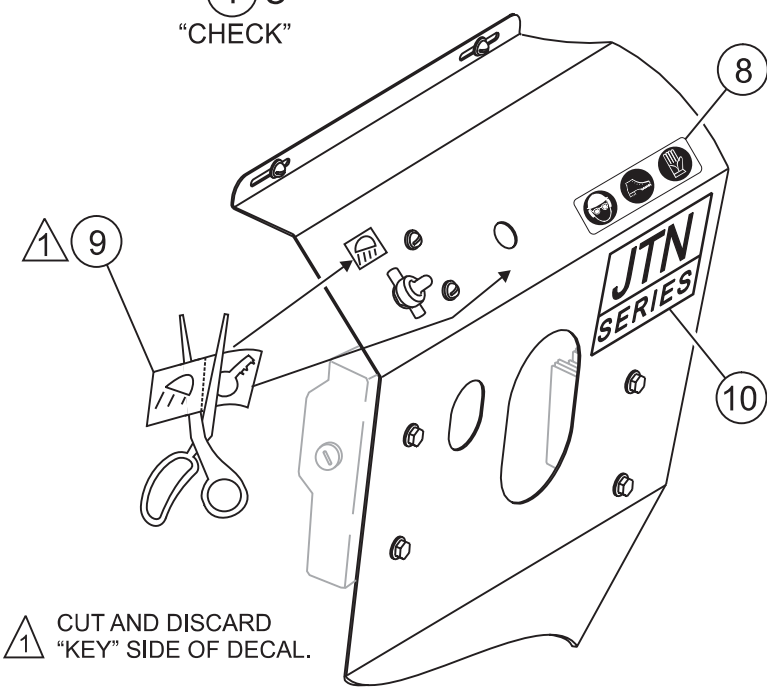
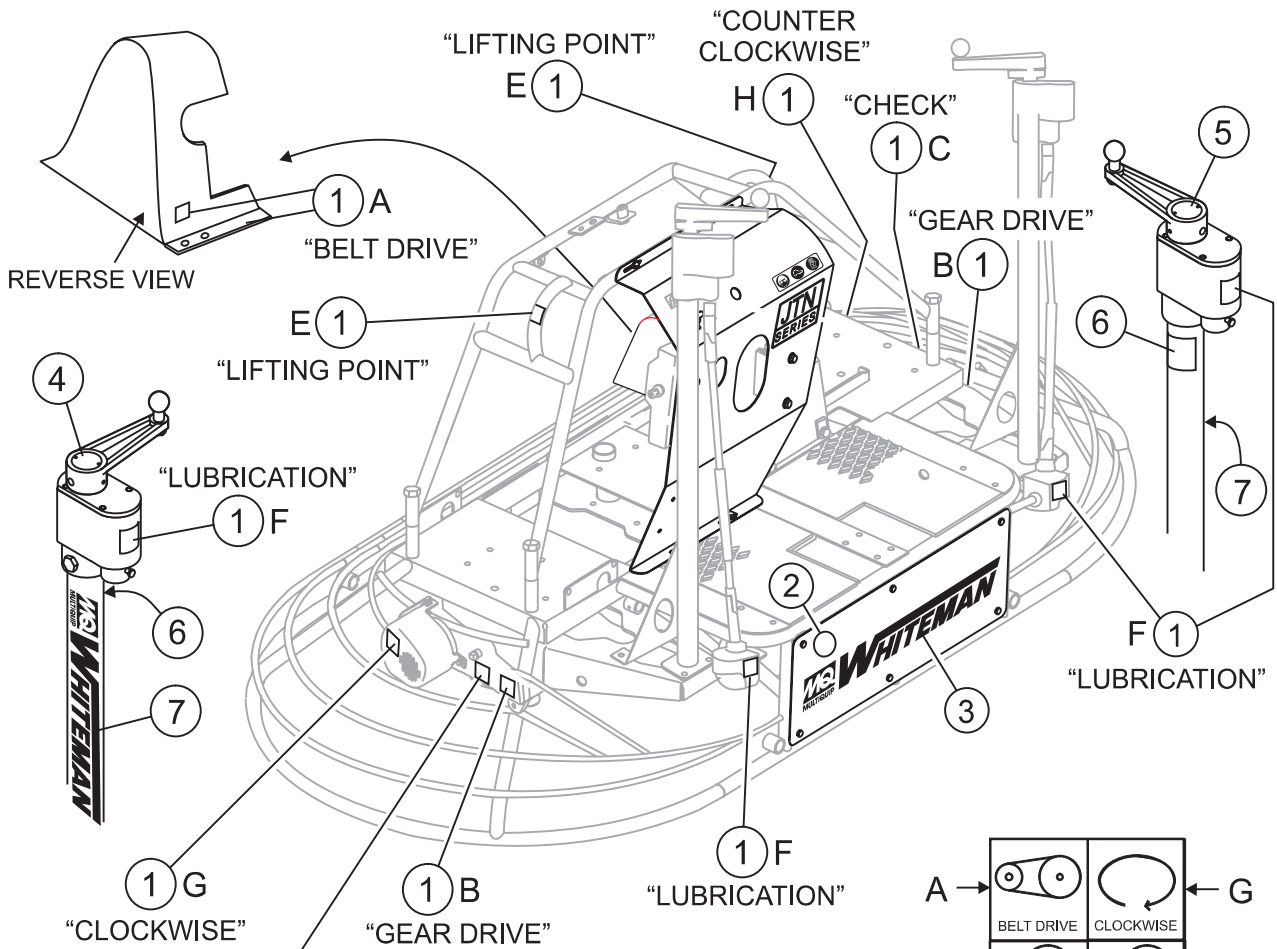
SERVICE DEPARTMENT/TECHNICAL ASSISTANCE:

800-478-1244
FAX: 310-631-5032

Atlanta • Boise • Dallas • Houston • Newark
Montreal, Canada • Manchester, UK
Rio De Janeiro, Brazil • Guadalajara, Mexico

JTN RIDE-ON TROWEL — NAMEPLATE AND DECALS

NAMEPLATE AND DECALS



CUT AND DISCARD "KEY" SIDE OF DECAL.

A →			← G
B →			
C →			
D →			← H
E →			
F →			

DECAL SHEET
INTL STDS ISO
P/N 11246

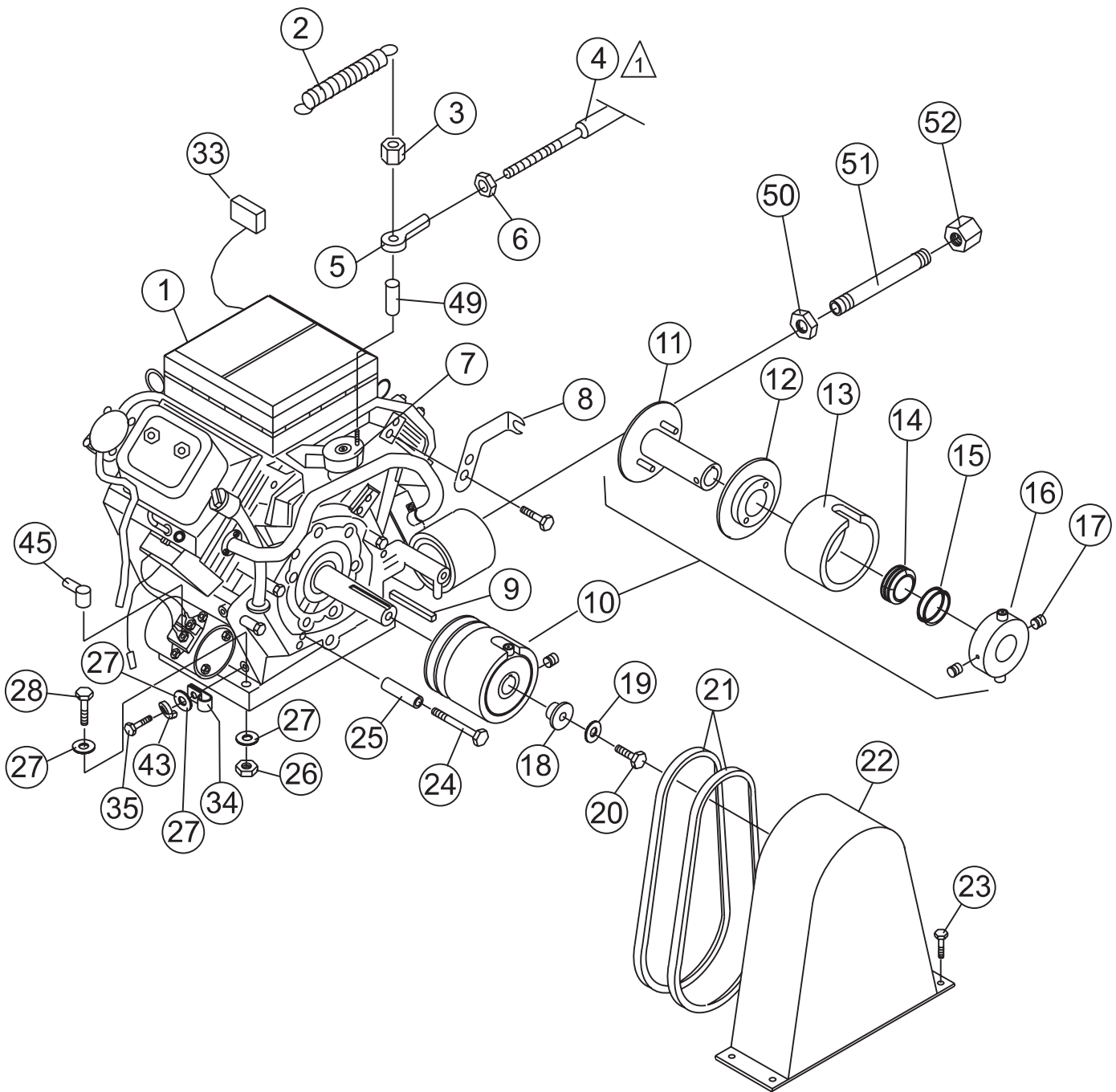
JTN RIDE-ON TROWEL — NAMEPLATE AND DECALS

NAMEPLATE AND DECALS

<u>NO.</u>	<u>PART NO.</u>	<u>PART NAME</u>	<u>QTY.</u>	<u>REMARKS</u>
1	11246	DECAL SET, INTERNATIONAL STDS	1	
2	13118	DECAL, POWDER COATED	1	
3	10818	DECAL, MQ-WHITEMAN 24 X 3	1	
4	2300	DECAL, AL PITCH RH	1	
5	2332	DECAL, AL PITCH LH	1	
6	2634	DECAL, SPRING SAFETY	2	
7	1499	DECAL, MQ-WHITEMAN RED/TOWER	2	
8	11247	DECAL, SAFETY CLOTHING	1	
9	2814	DECAL, CONTROL PANEL	1	
10	20928	DECAL, JTN SERIES	1	

JTN RIDE-ON TROWEL—VANGUARD ENGINE & CLUTCH ASSY.

VANGUARD ENGINE AND CLUTCH ASSY.



NOTES:

△ 1 FOR COMPLETE ASSEMBLY, SEE THROTTLE CABLE AND FOOT PEDAL ASSEMBLY.

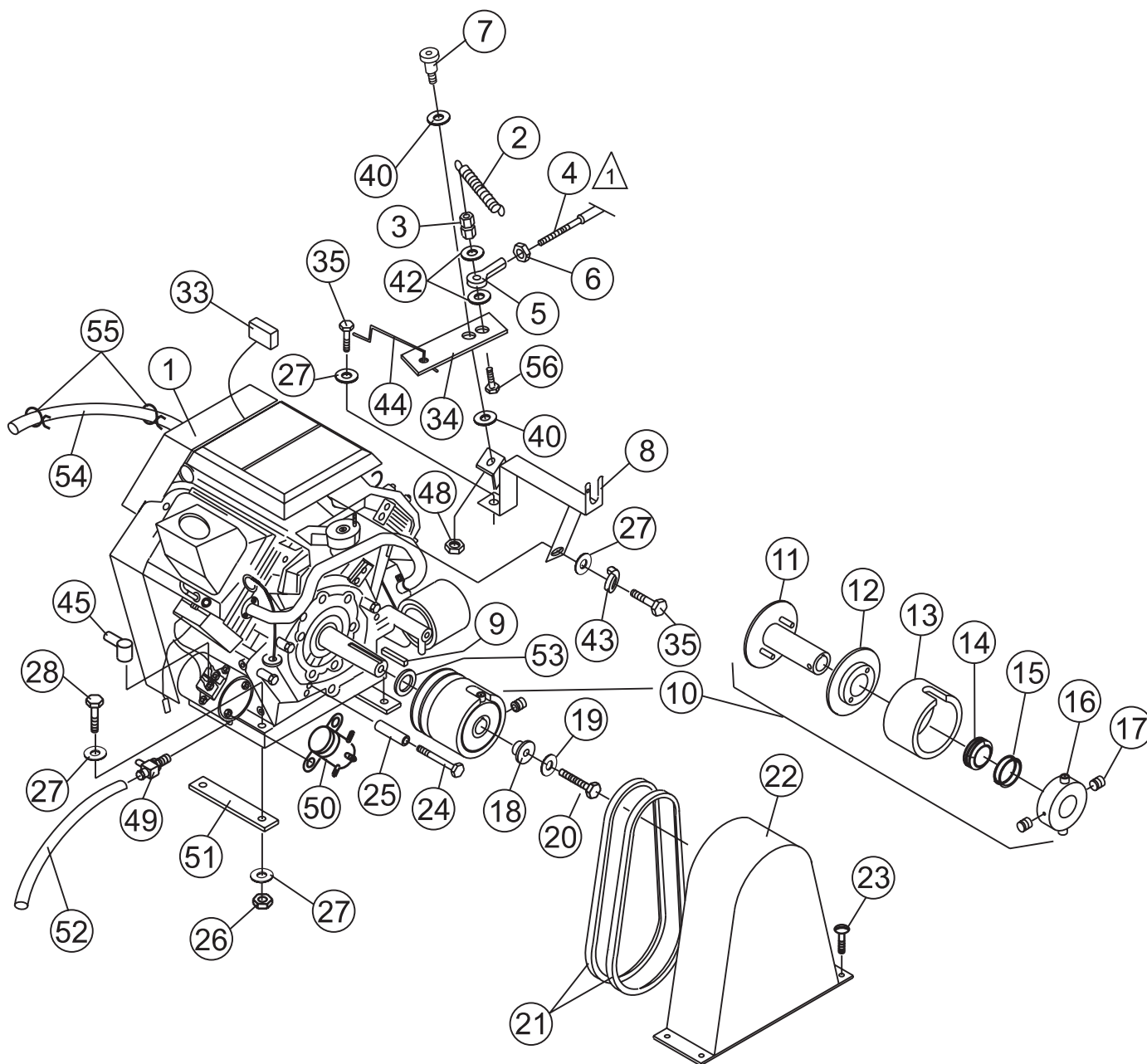
JTN RIDE-ON TROWEL— VANGUARD ENGINE & CLUTCH ASSY.

VANGUARD ENGINE AND CLUTCH ASSY.

<u>NO.</u>	<u>PART NO.</u>	<u>PART NAME</u>	<u>QTY.</u>	<u>REMARKS</u>
1	2883	ENGINE, VANGUARD 18 HP	1	SPECIFICATION NO. 350447-0086-01
2	2192	THROTTLE SPRING	1	
3	2194	THROTTLE NUT	1	
4	2124	THROTTLE CABLE	1	
5	2153	SPHERICAL BEARING	1	
6	0937	HEX NUT 10-32	1	
7	2650	GOVERNOR ASSY.	1	
8	2162	THROTTLE CABLE MTK. BRKT.	1	
9	0310	CLUTCH KEY 1/4 X 1/4 X 1.1/2"	1	
10	2516	4" CLUTCH ASSY.. 1" BORE	1	
11	1882	CLUTCH SPINDLE	1	
12	1886	CLUTCH PULLEY	1	
13	2504	CLUTCH BOWL	1	
14	2451	CLUTCH WEIGHT	4	
15	2450	WEIGHT SPRING	2	
16	2506	CLUTCH PLATE (WITH ROLLERS)	1	
17	1893	SHSS 3/8- 24 X 5/8"	2	
18	9123	CLUTCH RETAINER	1	
19	0166 A	LOCK WASHER 3/8"	1	
20	0478	HHCS 3/8- 24 X 2.1/4"	1	
21	1619	DRIVE BELT A-39 (100 RPM, 7-9/16")	2	USED WITH PULLEY P/N 10500
21	2155	DRIVE BELT A-37 (120 RPM, 6-1/2")	2	USED WITH PULLEY P/N 2019
21	11064	DRIVE BELT A-36 (138 RPM, 5-5/8")	2	USED WITH PULLEY P/N 11047
22	2134	BELT GUARD	1	
23	1273	HHSTS 8- 32 X 3/8"	4	
24	1493	HHC 3/8- 16 X 3-1/4"	1	
25	2257	BELT GUIDE	1	
26	5283	LOCK NUT 5/16- 18	4	
27	0300 B	FLAT WASHER 5/16"	9	
28	1207	HHCS 5/16- 18 X 1.3/4"	4	
33	2655	HOUR METER	1	
34	8126	HOSE CLAMP	1	
35	2299	HHCS 8MM- 1.25 X 15MM	1	
43	0161 C	LOCK WASHER 5/16"	1	
49	2190	SPACER	1	
50	10490	LOCK NUT 3/8 NPT	1	
51	12328	PIPE NIPPLE	1	
52	10491	PIPE CAP	1	

JTN RIDE-ON TROWEL—HONDA ENGINE AND CLUTCH ASSY.

HONDA ENGINE AND CLUTCH ASSY.



NOTES:

△ FOR COMPLETE ASSEMBLY. SEE THROTTLE CABLE AND FOOT PEDAL ASSEMBLY.

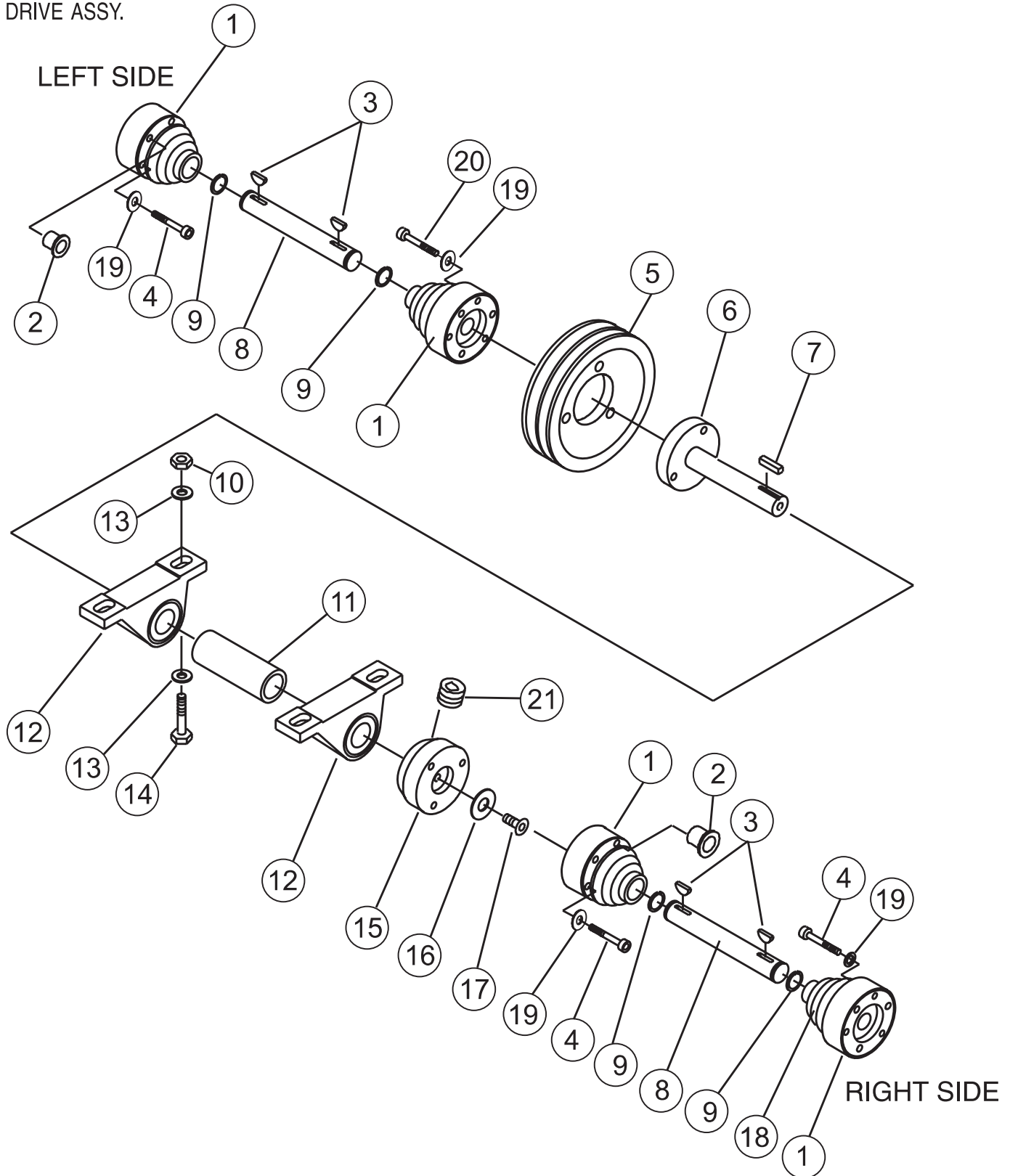
JTN RIDE-ON TROWEL—HONDA ENGINE AND CLUTCH ASSY.

HONDA ENGINE AND CLUTCH ASSY.

<u>NO.</u>	<u>PART NO.</u>	<u>PART NAME</u>	<u>QTY.</u>	<u>REMARKS</u>
1	10931	ENGINE HONDA, GX620K1QXB120HP	1	
2	2192	THROTTLE SPRING	1	
3	2194	THROTTLE NUT	1	
4	10568	THROTTLE CABLE	1	
5	2153	SPHERICAL BEARING	1	
6	0937	HEX NUT 10- 32	1	
7	10990	SHOULDER BOLT	1	
8	10964	THROTTLE CABLE MTG. BRKT.	1	
9	0310	SQUARE KEY 1/4 X 1/4 X 1.1/2"	1	
10	2516	4" CLUTCH ASSY. 1" BORE	1	
11	1882	CLUTCH SPINDLE	1	
12	1886	CLUTCH PULLEY ASSY.	1	
13	2504	CLUTCH BOWL ASSY.	1	
14	2939	CLUTCH WEIGHT SET	1	
15	2450	WEIGHT SPRING	2	
16	2506	CLUTCH PLATE (WITH ROLLERS)	1	
17	1893	SHSS 3/8- 24 X 5/8"	2	
18	9123	CLUTCH RETAINER	1	
19	0166 A	LOCK WASHER 3/8"	1	
20	2667	HHCS 3/8- 24 X 2.1/2"	1	
21	1619	DRIVE BELT A-39 (100 RPM)	2	USED WITH PULLEY P/N 10500 (7-9/16")
21	2155	DRIVE BELT A-37 (120 RPM)	2	USED WITH PULLEY P/N 2019 (6-1/2")
21	11064	DRIVE BELT A-36 (138 RPM)	2	USED WITH PULLEY P/N 11047 (5-5/8")
22	11114	BELT GUARD	1	
23	1273	HHSTS 8- 32 X 3/8"	4	
24	1493	HHC 3/8- 16 X 3-1/4"	1	
25	2257	BELT GUIDE	1	
26	5283	LOCK NUT 5/16- 18	4	
27	0300 B	FLAT WASHER 5/16"	10	
28	0669 A	HHCS 5/16- 18 X 2.1/4"	4	
33	2655	HOUR METER	1	
34	10954	THROTTLE LEVER	1	
35	2299	HHCS M8- 1.25 X 15MM	2	
40	0948	WASHER, FLAT 3/8"	2	
42	2203	FLAT WASHER #10	8	
43	0161 C	LOCK WASHER 5/16"	1	
44	10955	THROTTLE WIRE	1	
45	2762	TERMINAL BOOT	1	
48	1618	LOCK NUT 10-24	1	
49	10963	OIL DRAIN VALVE	1	
50	2207	SOLENOID	1	
51	10984	ENGINE SPACER	2	
52	10987	OIL DRAIN HOSE	1	
53	10948	SPACER	1	
54	10962	FUEL HOSE	1	
55	2138	HOSE CLAMP	2	
56	10018	SHCS 10- 32 X 1"	1	

JTN RIDE-ON TROWEL— DRIVE ASSY.

DRIVE ASSY.



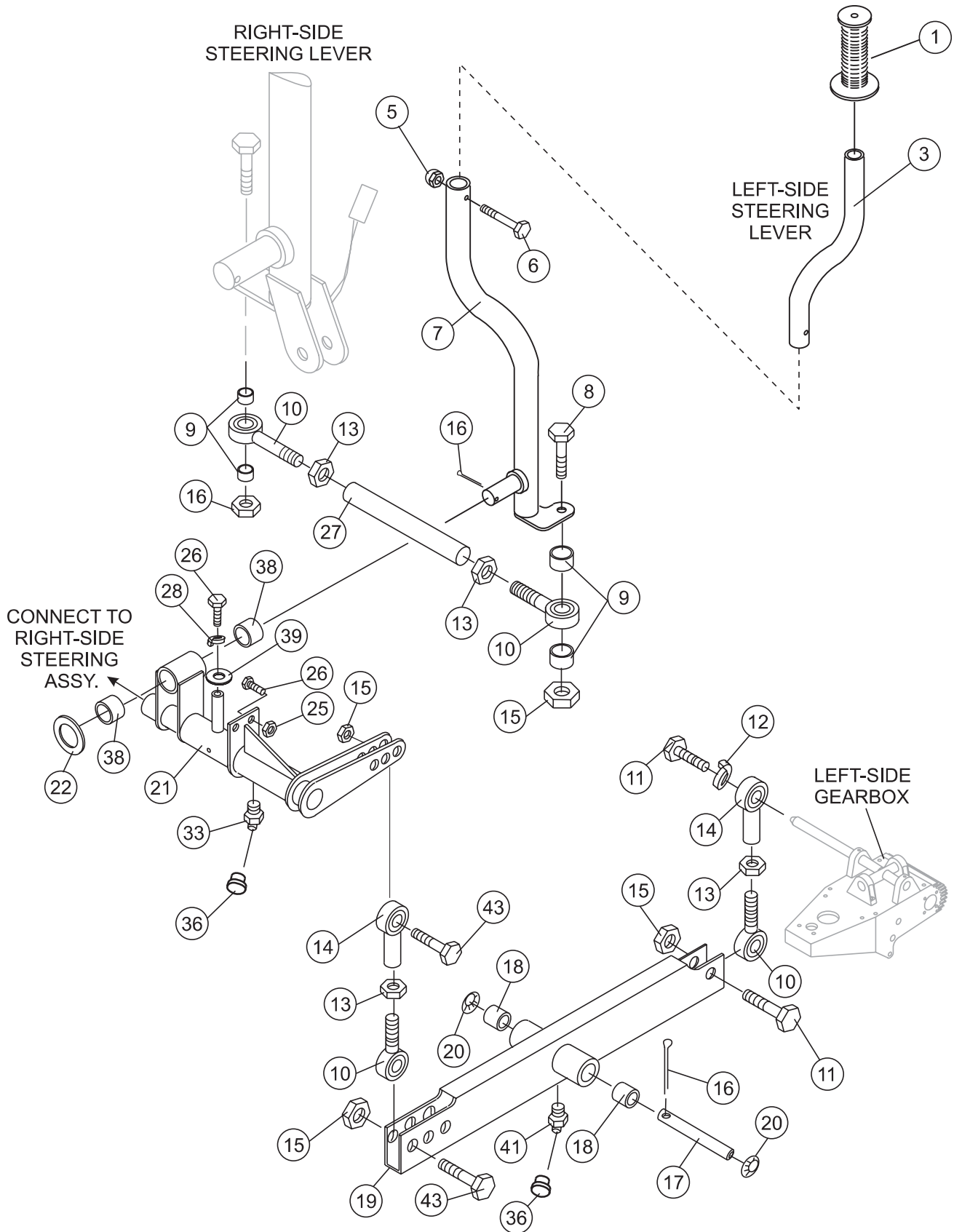
JTN RIDE-ON TROWEL— DRIVE ASSY.

DRIVE ASSY.

<u>NO.</u>	<u>PART NO.</u>	<u>PART NAME</u>	<u>QTY.</u>	<u>REMARKS</u>
1	2052	C.V. JOINT	4	
2	11602	PLUG	12	REPLACES 2218
3	0126	WOODRUFF KEY #9	4	
4	2186	SHCS 5/16- 18 X 2.1/4"	9	
5	2019	PULLEY (6-1/2", 120 RPM)	1	USE DRIVE BELT 2155 A-37,
5	10500	PULLEY (7-9/16", 100 RPM)	1	USE DRIVE BELT 1619 A-39
5	11047	PULLEY (5-5/8", 138 RPM)	1	USE DRIVE BELT 11064 A-36
6	2129	BEARING SHAFT	1	
7	10909	KEY 3/16 X 3/16 X 13/16"	1	REPLACES P/N 2126
8	2819	DRIVE SHAFT, LEFT-SIDE	2	
9	2090	SNAP RING	4	
10	10133	LOCK NUT 3/8"	4	
11	10513	SPACER	1	
12	10337	PILLOW BLOCK BEARING	2	
13	10136	FLAT WASHER 3/8"	8	
14	1284	HHCS 3/8- 16 X 1.1/2"	4	
15	2029	COUPLER 1" I.D.	1	
16	2037	RETAINING WASHER	1	
17	1146	FHSCS 5/16- 18 X 1"	1	
18	2259	C.V. JOINT BOOT (REPLACEMENT ONLY)	1	
19	0161 C	FLAT WASHER 5/16"	12	
20	2187	SHCS 5/16- 18 X 2.1/2"	3	
21	10138	SHSS 1/4- 20 X 1/2"	1	

JTN RIDE-ON TROWEL—STEERING ASSY. (LEFT-SIDE)

STEERING ASSY. (LEFT-SIDE) S/N 43489 AND BELOW



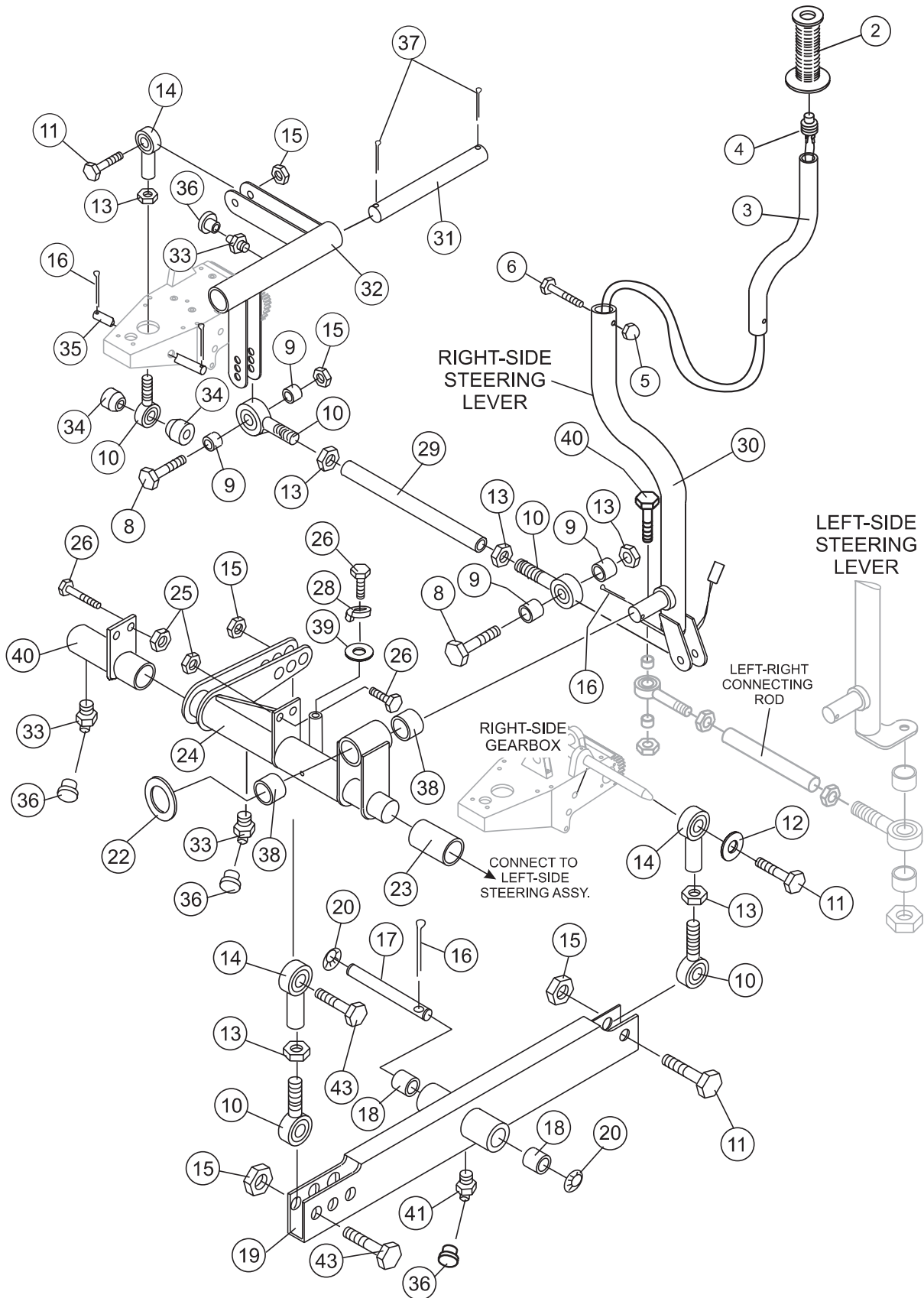
JTN RIDE-ON TROWEL— STEERING ASSY. (LEFT-SIDE)

STEERING ASSY. (LEFT-SIDE) S/N 43489 AND BELOW

<u>NO.</u>	<u>PART NO.</u>	<u>PART NAME</u>	<u>QTY.</u>	<u>REMARKS</u>
1	0189	LEFT-SIDE HAND GRIP	1	
3	10130	HANDLE EXTENSION	1	
5	2197	ACORN NUT 1/4- 20	1	
6	0424	HHCS 1/4- 20 X 1.1/4"	1	
7	10131	LEFT HANDLE	1	
8	11090	SHCS 3/8- 16 X 1-1/4"	2	
9	2196	SPACER	4	
10	2063	SPHERICAL BEARING	4	RIGHT HAND MALE
11	11090	HHCS 3/8- 16 X 1.1/4"	4	
12	0166 A	LOCK WASHER 3/8"	1	
13	2199	JAM NUT 3/8- 24	4	
14	2064	SPHERICAL BEARING	2	RIGHT HAND FEMALE
15	10133	LOCK NUT 3/8- 16	4	
16	0164 B	COTTER PIN	2	
17	11275	CLEVIS PIN	1	
18	1484	BUSHING	2	
19	11085	STEERING CONTROL LEVER	1	REPLACES 2891
20	10136	FLAT WASHER 3/8"	1	
21	10605	LEFT-SIDE STEERING ASSY.	1	
22	8151	FLAT WASHER 3/4"	1	
25	5283	LOCK NUT 5/16- 18	4	
26	0655	HHCS 5/16- 18 X 3/4"	5	
27	2352	CONNECTOR ROD	1	
28	0161 C	LOCK WASHER 5/16"	1	
33	5228	GREASE FITTING	2	
36	1162 A	LUBRA- CAP	2	
38	12408	BUSHING	2	REPLACES 2168
39	0300 B	FLAT WASHER 5/16"	1	
41	2621	GREASE FITTING	1	
43	1284	HHCS 3/8-16 X 1-1/2"	2	

JTN RIDE-ON TROWEL— STEERING ASSY. (RIGHT-SIDE)

STEERING ASSY. (RIGHT-SIDE) S/N 43489 AND BELOW



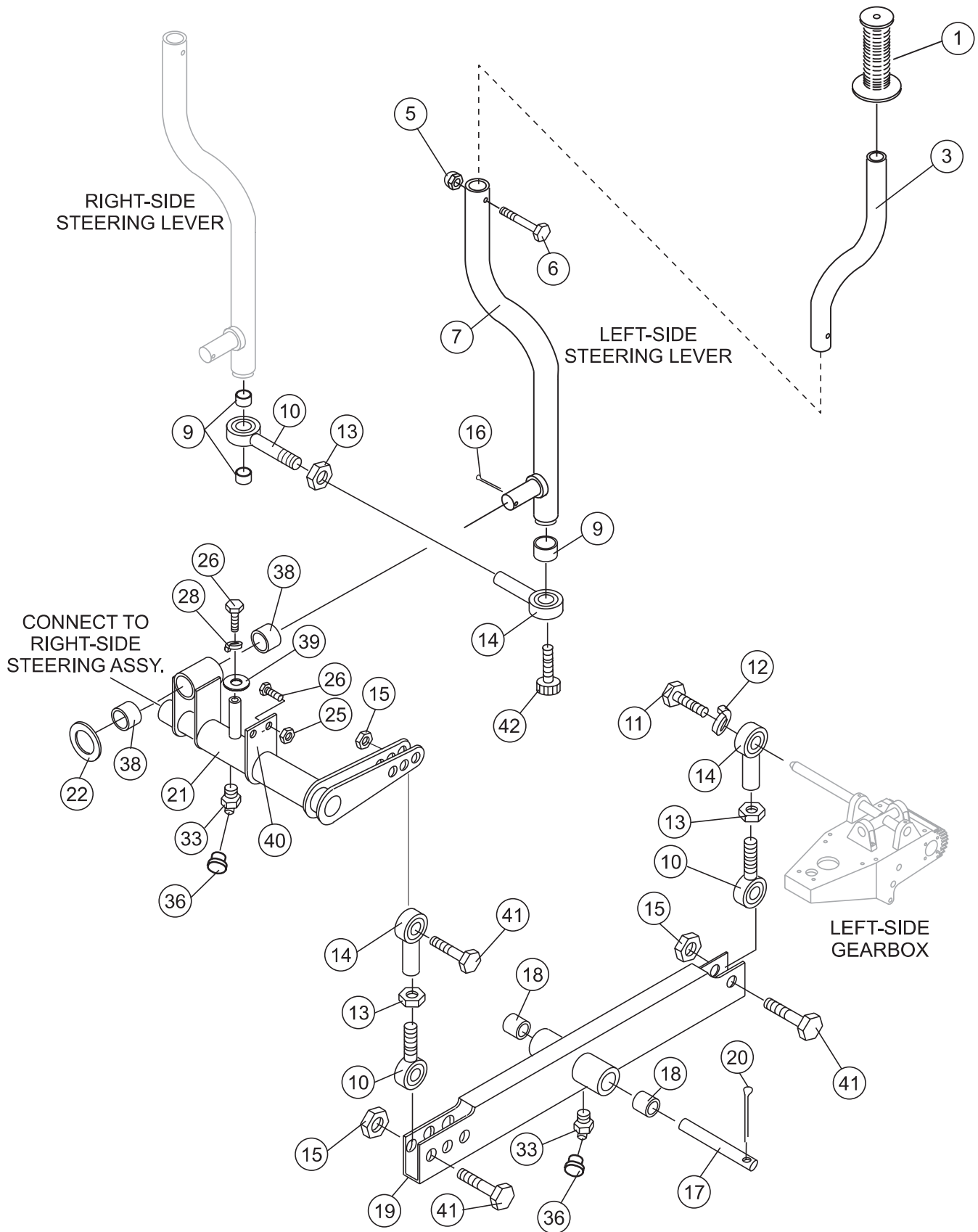
JTN RIDE-ON TROWEL— STEERING ASSY. (RIGHT-SIDE)

STEERING ASSY. (RIGHT-SIDE) S/N 43489 AND BELOW

<u>NO.</u>	<u>PART NO.</u>	<u>PART NAME</u>	<u>QTY.</u>	<u>REMARKS</u>
2	2267	RIGHT-SIDE HAND GRIP	1	
3	10130	HANDLE EXTENSION	1	
4	2765	RETARDANT SPRAY SWITCH	1	
5	2197	ACORN NUT 1/4- 20	1	
6	0424	HHCS 1/4- 20 X 1.1/4"	1	
8	9154	HHCS 3/8- 16 X 1.3/4"	2	
9	2196	SPACER	4	
10	2063	SPHERICAL BEARING	5	RIGHT HAND MALE
11	11090	HHCS 3/8- 16 X 1.1/4"	5	
12	0166 A	LOCK WASHER 3/8"	1	
13	2199	JAM NUT 3/8- 24	5	
14	2064	SPHERICAL BEARING	3	RIGHT HAND FEMALE
15	10133	LOCK NUT 3/8- 16	5	
16	0164 B	COTTER PIN	3	
17	11275	CLEVIS PIN	1	
18	1484	BUSHING	2	
19	11085	STEERING CONTROL LEVER	1	REPLACES 2891
20	10136	FLAT WASHER 3/8"	1	
22	8151	FLAT WASHER 3/4"	1	
23	2123	CENTER SUPPORT	2	
24	10606	RIGHT-SIDE STEERING ASSY.	1	
25	5283	LOCK NUT 5/16- 18	4	
26	0655	HHCS 5/16- 18 X 3/4"	5	
28	0161 C	LOCK WASHER 5/16"	1	
29	2820	LINKAGE ROD	1	
30	10132	RIGHT HANDLE	1	
31	2080	RIGHT/LEFT MOTION SHAFT	1	
32	2036	RIGHT/LEFT MOTION ARM	1	
33	5228	GREASE FITTING	3	
34	2188	SPACER	2	
35	3550	ADAPTER PLATE PIN	1	
36	1162 A	LUBRA- CAP	3	
37	2219	COTTER PIN	2	
38	12408	BUSHING	2	REPLACES 2168
39	0300 B	FLAT WASHER 5/16"	1	
40	10603	BOSS AND SUPPORT	1	
41	2621	GREASE FITTING	1	
43	1284	HHCS 3/8-16 X 1-1/2"	2	

JTN RIDE-ON TROWEL— STEERING ASSY. (LEFT-SIDE)

STEERING ASSY. (LEFT-SIDE) S/N 43490 TO 46645



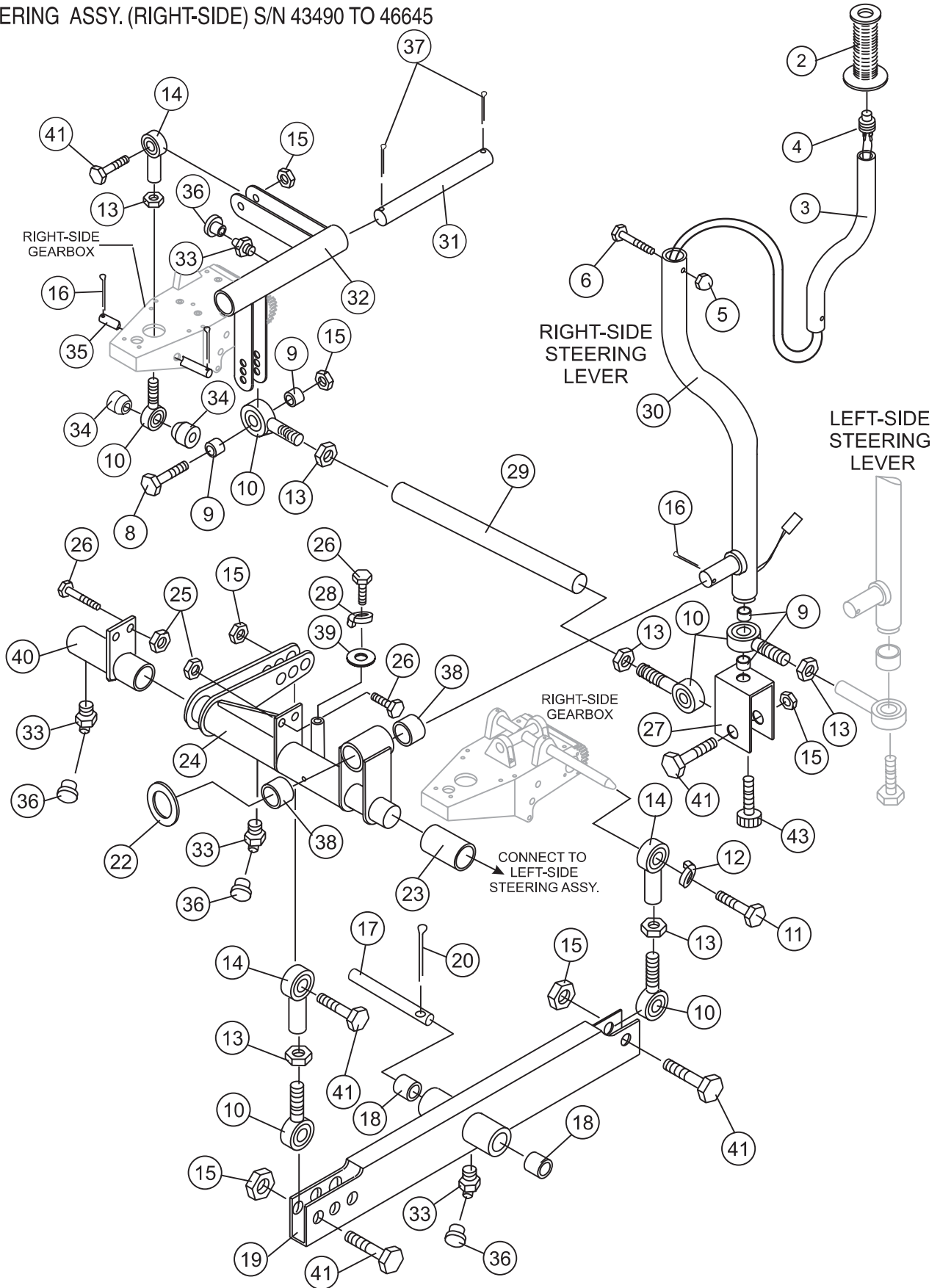
JTN RIDE-ON TROWEL— STEERING ASSY. (LEFT-SIDE)

STEERING ASSY. (LEFT-SIDE) S/N 43490 TO 46645

<u>NO.</u>	<u>PART NO.</u>	<u>PART NAME</u>	<u>QTY.</u>	<u>REMARKS</u>
1	0189	LEFT-SIDE HAND GRIP	1	NO OPTIONS
1	2267	LEFT-SIDE HAND GRIP	1	RETARDANT SPRAY OPTIONS
3	10130	HANDLE EXTENSION	2	
5	2197	ACORN NUT 1/4- 20	1	
6	0424	HHCS 1/4- 20 X 1-1/4"	1	
7	10131	LOWER HANDLE (LEFT)	1	
8	1665	SHCS 3/8- 16 X 2"	1	
9	2196	SPACER	1	
10	2063	SPHERICAL BEARING	3	RIGHT HAND MALE
11	1023	HHCS 3/8- 16 X 1.1/4"	1	
12	0166 A	LOCK WASHER 3/8"	1	
13	2199	JAM NUT 3/8- 24	4	
14	2064	SPHERICAL BEARING	3	RIGHT HAND FEMALE
15	10133	LOCK NUT 3/8- 16	4	
16	0183	COTTER PIN 1/8" X 1.1/4"	1	
17	11275	PIN	1	
18	11072	BEARING	1	
19	11085	STEERING CONTROL LEVER	1	
20	3216	COTTER PIN 1/8 X 1"	1	
21	10605	LEFT SIDE STEERING ASSY.	1	
22	11265	FLAT WASHER	1	
25	5283	LOCK NUT 5/16- 18	4	
26	0655	HHCS 5/16- 18 X 3/4"	6	
28	0161 C	LOCK WASHER 5/16"	2	
33	5228	GREASE FITTING	2	
36	1162 A	LUBRA- CAP	2	
38	2168	BUSHING	2	
39	0300 B	FLAT WASHER 5/16"	1	
40	10603	BOSS AND SUPPORT	1	
41	1284	HHCS 3/8- 16 X 1.1/2"	8	
42	11090	SHCS 3/8- 16 X 1-1/4"	1	

JTN RIDE-ON TROWEL—STEERING ASSY. (RIGHT-SIDE)

STEERING ASSY. (RIGHT-SIDE) S/N 43490 TO 46645



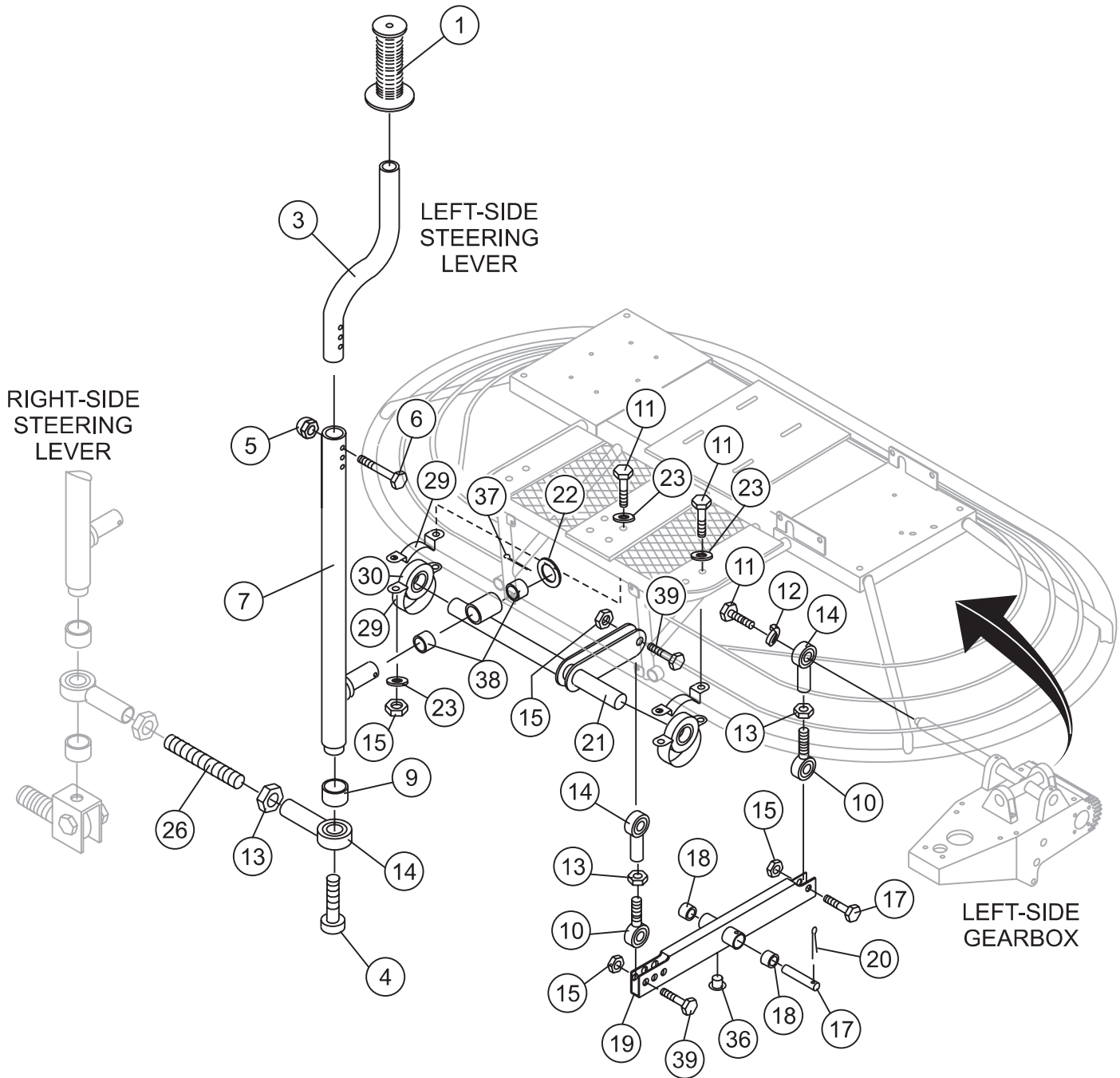
JTN RIDE-ON TROWEL— STEERING ASSY. (RIGHT-SIDE)

STEERING ASSY. (RIGHT-SIDE) S/N 43490 TO 46645

<u>NO.</u>	<u>PART NO.</u>	<u>PART NAME</u>	<u>QTY.</u>	<u>REMARKS</u>
2	2267	RIGHT-SIDE HAND GRIP	1	
3	10130	HANDLE EXTENSION	1	
4	2765	RETARDANT SPRAY SWITCH	1	
5	2197	ACORN NUT 1/4- 20	1	
6	0424	HHCS 1/4- 20 X 1.1/4"	1	
9	2196	SPACER	1	
10	2063	SPHERICAL BEARING	4	RIGHT HAND MALE
11	1023	HHCS 3/8- 16 X 1.1/4"	1	
12	0166 A	LOCK WASHER 3/8"	1	
13	2199	JAM NUT 3/8- 24	4	
14	2064	SPHERICAL BEARING	4	RIGHT HAND FEMALE
15	10133	LOCK NUT 3/8- 16	5	
16	0183	COTTER PIN 1/8" X 1.1/4"	3	
17	11275	PIN	1	
18	11072	BEARING	1	
19	11085	STEERING CONTROL LEVER	1	
20	3216	COTTER PIN 1/8 X 1"	1	
22	11265	FLAT WASHER	1	
23	2123	CENTER SPACER	1	
24	10606	RIGHT SIDE STEERING ASSY.	1	
25	5283	LOCK NUT 5/16-18"	4	
26	0655	HHCS 5/16- 18 X 3/4"	6	
27	11303	BRACKET	1	
28	0161 C	LOCK WASHER 5/16"	2	
29	11302	LINKAGE ROD	1	
30	10132	LOWER HANDLE (RIGHT)	8	
31	2080	RIGHT / LEFT MOTION SHAFT	1	
32	2036	RIGHT / LEFT MOTION ARM	1	
33	5228	GREASE FITTING	3	
34	2188	SPACER	2	
35	3550	ADAPTER PLATE PIN	1	
36	1162 A	LUBRA- CAP	2	
37	2219	COTTER PIN	2	
38	2168	BUSHING	2	
39	0300 B	FLAT WASHER 5/16"	2	
40	10603	BOSS AND SUPPORT	2	
41	1284	HHCS 3/8- 16 X 1-1/2"	8	
43	1665	SHCS 3/8- 16 X 2"	1	

JTN RIDE-ON TROWEL— STEERING ASSY. (LEFT-SIDE)

STEERING ASSY. (RIGHT-SIDE) 46646 TO 61579



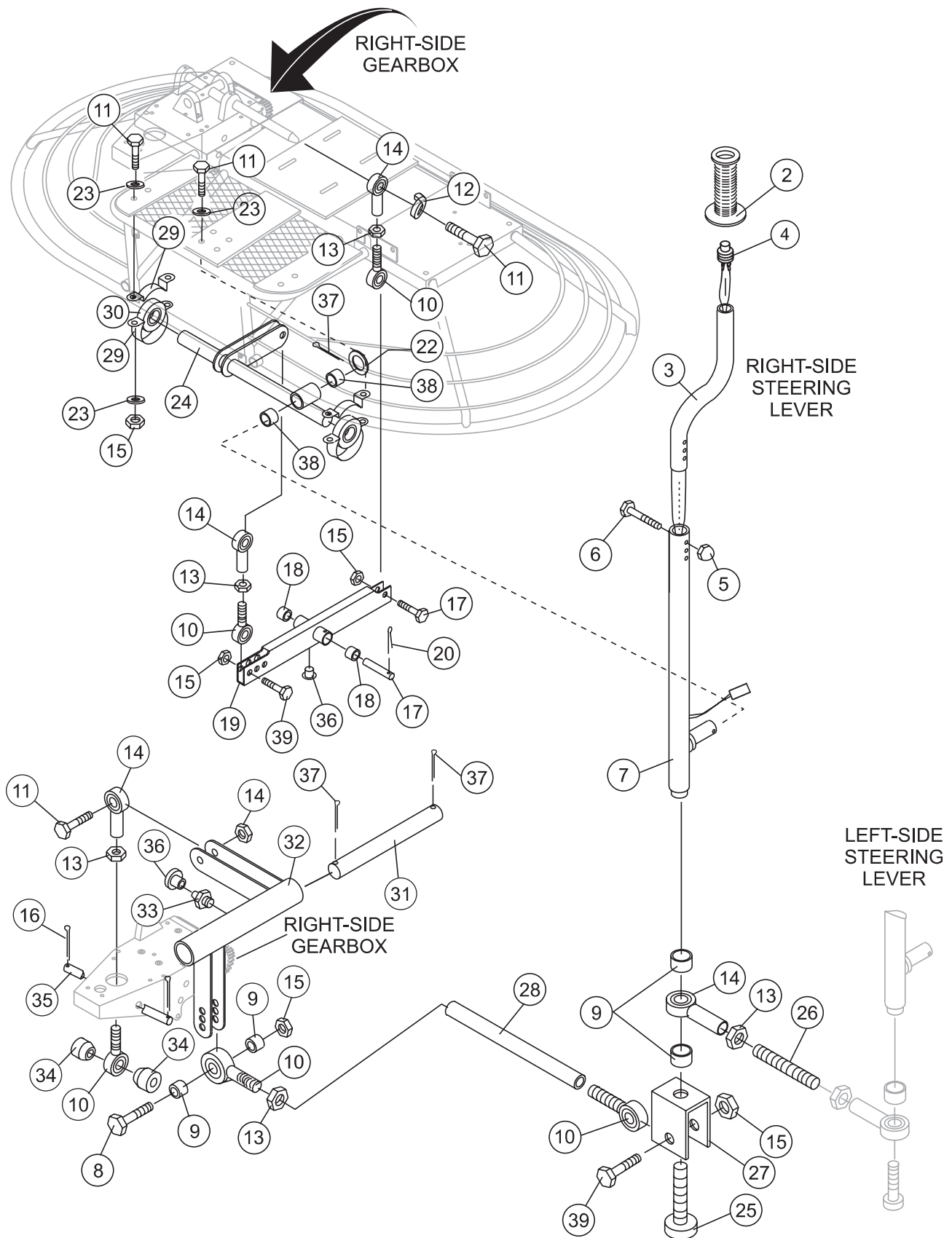
JTN RIDE-ON TROWEL— STEERING ASSY. (LEFT-SIDE)

STEERING ASSY. (RIGHT-SIDE) 46646 TO 61579

<u>NO.</u>	<u>PART NO.</u>	<u>PART NAME</u>	<u>QTY.</u>	<u>REMARKS</u>
1	0189	LEFT-SIDE HAND GRIP	1	NO OPTIONS
1	2267	LEFT-SIDE HAND GRIP	1	RETARDANT SPRAY OPTIONS
3	10130	HANDLE EXTENSION	1	
4	11090	SHCS 3/8-16 X 1-1/4"	1	
5	2197	ACORN NUT 1/4- 20	1	
6	0424	HHCS 1/4-20 X 1-1/4"	1	
7	11079	HANDLE, LOWER	1	
9	2196	SPACER	1	
10	2063	SPHERICAL BEARING	7	RIGHT HAND MALE
11	1023	HHCS 3/8-16 X 1-1/4"	5	
12	0166 A	LOCK WASHER 3/8"	1	
13	2199	JAM NUT 3/8-24"	5	
14	2064	SPHERICAL BEARING	3	RIGHT HAND FEMALE
15	10133	LOCK NUT 3/8-16"	8	
17	11275	PIN	1	
18	11072	BEARING	2	
19	11071	STEERING CONTROL LEVER	1	
20	6014 B	COTTER PIN	1	
21	11462	LEFT-SIDE STEERING ASSY.	1	
22	11265	FLAT WASHER 3/4"	1	
23	10136	FLAT WASHER 3/8"	4	
26	11498	LINKAGE ROD	1	
29	11138	BEARING HOUSING	2	
30	11149	BEARING	2	
36	1162 A	LUBRA- CAP	1	
37	2219	COTTER PIN	1	
38	2168	BUSHING	2	
39	1284	HHCS 3/8-16 X1-1/2"	4	

JTN RIDE-ON TROWEL—STEERING ASSY. (RIGHT-SIDE)

STEERING ASSY. (RIGHT-SIDE) 46646 TO 61579



JTN RIDE-ON TROWEL— STEERING ASSY. (RIGHT-SIDE)

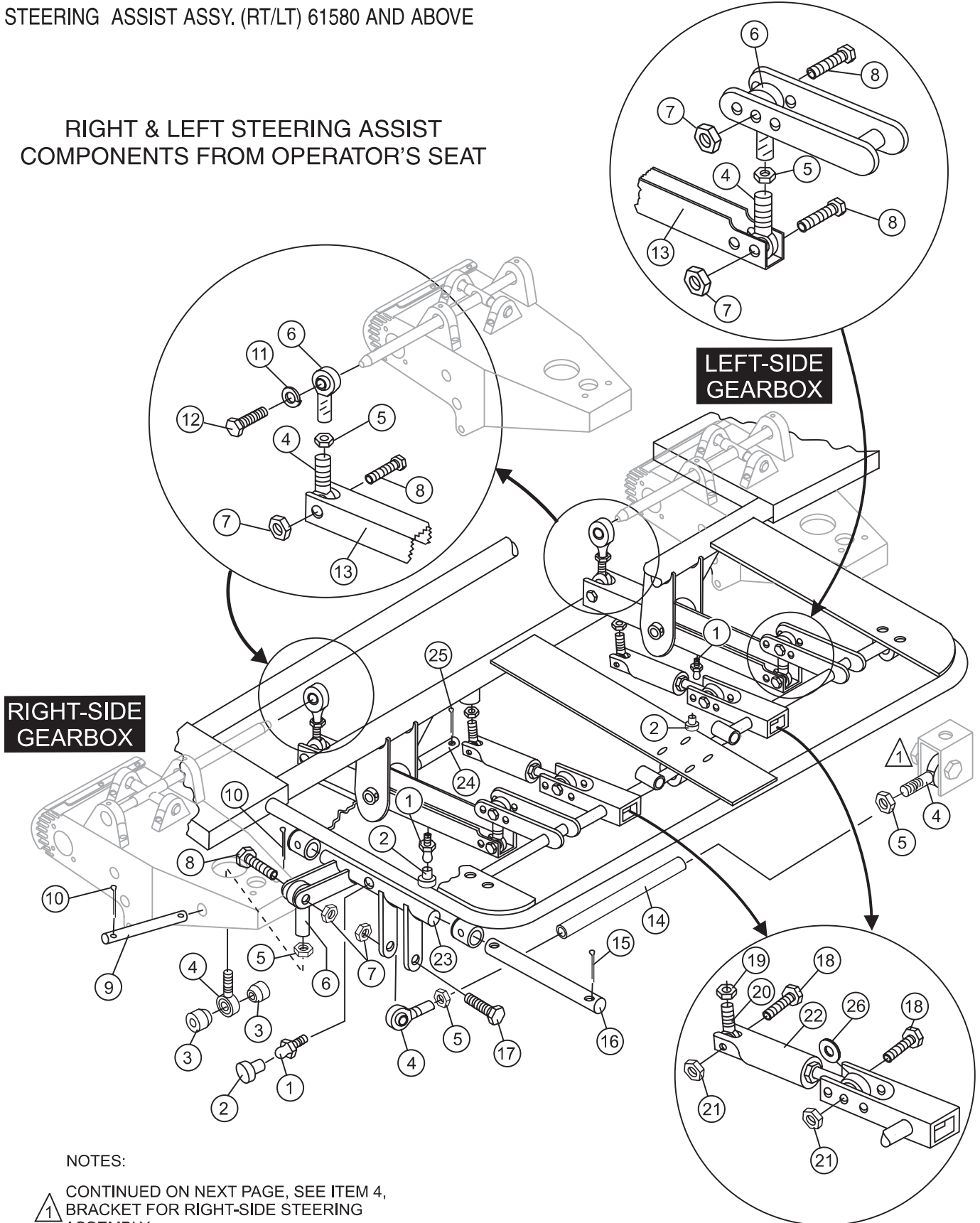
STEERING ASSY. (RIGHT-SIDE) 46646 TO 61579

<u>NO.</u>	<u>PART NO.</u>	<u>PART NAME</u>	<u>QTY.</u>	<u>REMARKS</u>
2	2267	RIGHT-SIDE HAND GRIP	1	
3	10130	HANDLE EXTENSION	1	
4	2765	RETARDANT SPRAY SWITCH	1	
5	2197	ACORN NUT 1/4-20"	1	
6	0424	HHCS 1/4-20 X 1-1/4"	1	
7	11079	HANDLE, LOWER	1	
8	1665	HHCS 3/8-16 X 2"	1	
9	2196	SPACER	3	
10	2063	SPHERICAL BEARING	4	RIGHT HAND MALE
11	1023	HHCS 3/8-16 X 1-1/4"	5	
12	0166 A	LOCK WASHER 3/8"	2	
13	2199	JAM NUT 3/8-24"	4	
14	2064	SPHERICAL BEARING	4	RIGHT HAND FEMALE
15	10133	LOCK NUT 3/8-16"	4	
16	0183	COTTER PIN	1	
17	11275	PIN	1	
18	11072	BEARING	2	
19	11071	STEERING CONTROL LEVER	1	
20	6014 B	COTTER PIN	1	
22	11265	FLAT WASHER 3/4"	1	
23	10136	FLAT WASHER 3/8"	4	
24	11463	RIGHT-SIDE STEERING ASSY.	1	
25	11089	SHCS 3/8-16 X 2"	1	
26	11498	LINKAGE ROD	1	
27	11303	BRACKET	1	
28	11513	LINKAGE ROD	1	
29	11138	BEARING HOUSING	2	
30	11149	BEARING	2	
31	11497	RIGHT/LEFT MOTION SHAFT	1	
32	11441	RIGHT/LEFT MOTION ARM	1	
33	5228	GREASE FITTING	1	
34	2188	SPACER	2	
35	3550	ADAPTER PLATE PIN	1	
36	1162 A	LUBRA- CAP	2	
37	2219	COTTER PIN	2	
38	2168	BUSHING	4	
39	1284	HHCS 3/8-16 X 1-1/2"	4	

JTN RIDE-ON TROWEL—STEERING ASSIST ASSY. (RT/LT)

STEERING ASSIST ASSY. (RT/LT) 61580 AND ABOVE

RIGHT & LEFT STEERING ASSIST
COMPONENTS FROM OPERATOR'S SEAT



NOTES:

1 CONTINUED ON NEXT PAGE, SEE ITEM 4,
BRACKET FOR RIGHT-SIDE STEERING
ASSEMBLY.

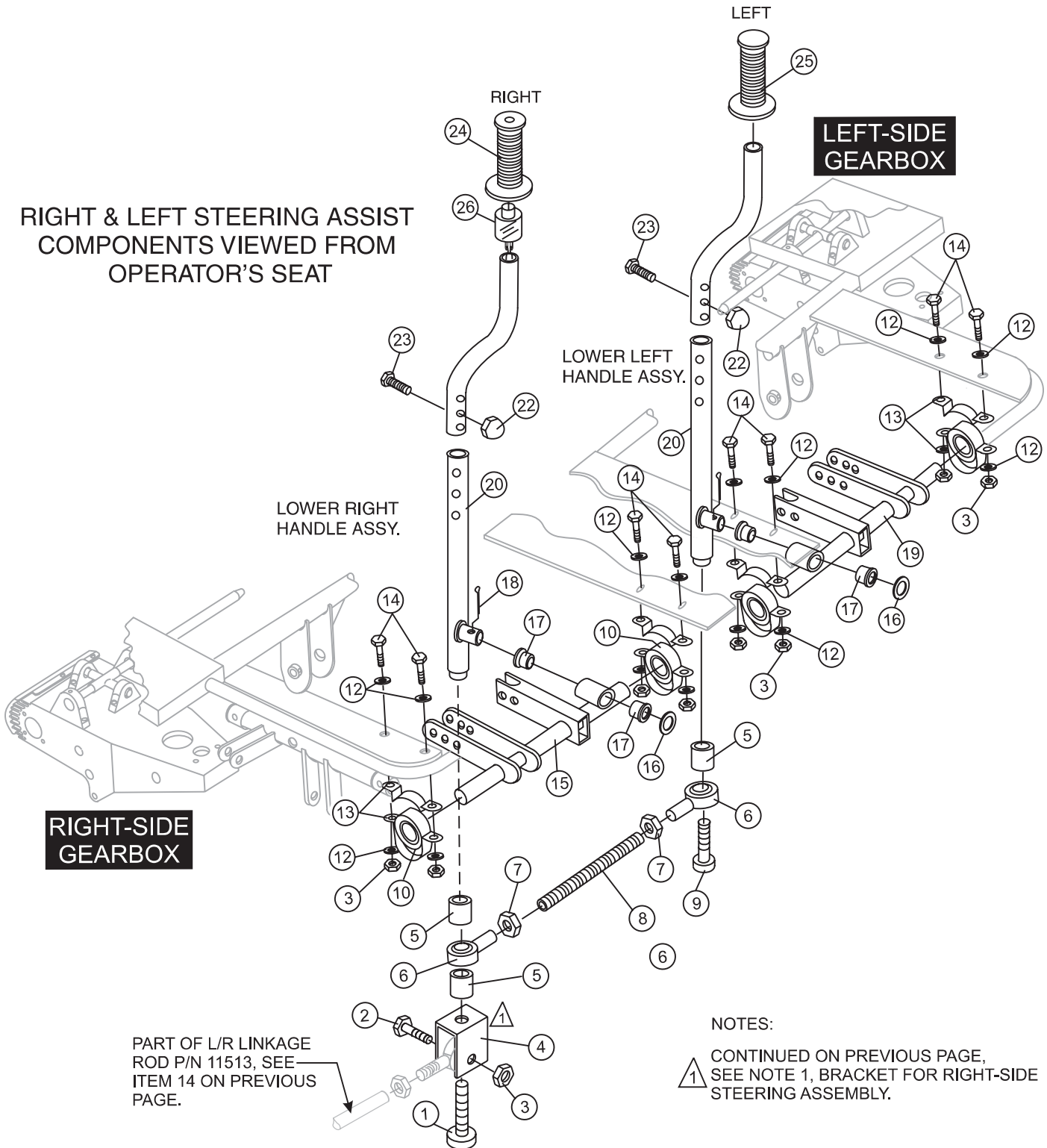
JTN RIDE-ON TROWEL— STEERING ASSIST ASSY. (RT/LT)

STEERING ASSIST ASSY. (RT/LT) 61580 AND ABOVE

<u>NO.</u>	<u>PART NO.</u>	<u>PART NAME</u>	<u>QTY.</u>	<u>REMARKS</u>
1	5228	GREASE FITTING	2	
2	1162 A	LUBRA- CAP	3	
3	2188	SPACER	2	
4	2063	SPHERICAL BEARING	4	RIGHT HAND MALE
5	2199	JAM NUT 3/8-24"	4	
6	2064	SPHERICAL BEARING	4	RIGHT HAND FEMALE
7	10133	LOCK NUT 3/8-16"	4	
8	1284	HHCS 3/8-16 X 1-1/2"	4	
9	3550	ADAPTER PLATE PIN	1	
10	0183	COTTER PIN 1/8 X 1-1/4"	2	
11	0166 A	LOCK WASHER 3/8"	2	
12	1023	HHCS 3/8-16 X 1-1/4"	2	
13	11071	LEVER, STEERING CONTROL	2	
14	11513	ROD, 9-1/2" L/R LINKAGE	1	
15	2219	COTTER PIN	2	
16	11497	SHAFT, L/R MOTION LEVER	1	
17	1665	SCREW, HHC 3/8-16 X 2"	1	
18	EM963105	SCREW, HHC 1/2-13 X 2"	4	REPLACES 6159 A
19	1146	SCREW, FHSC 5/16 X 18 X 1", NYLOC,	2	
20	11142	ROD END, 1/2-20 MALE RH	2	
21	10176	NUT, NYLOC 1/2-13"	4	
22	12625	ASSIST ASSEMBLY	2	
23	11441	RIGHT/LEFT MOTION CONTROL	1	
24	11275	PIN 3/8 X 3" DIA.	2	
25	6014 B	PIN, COTTER 3/32 X 1"	2	
26	0447	WASHER, FLAT SAE 1/2"	2	

JTN RIDE-ON TROWEL—STEERING ASSIST ASSY. (RT/LT)

STEERING ASSIST ASSY. (RT/LT) 61580 AND ABOVE



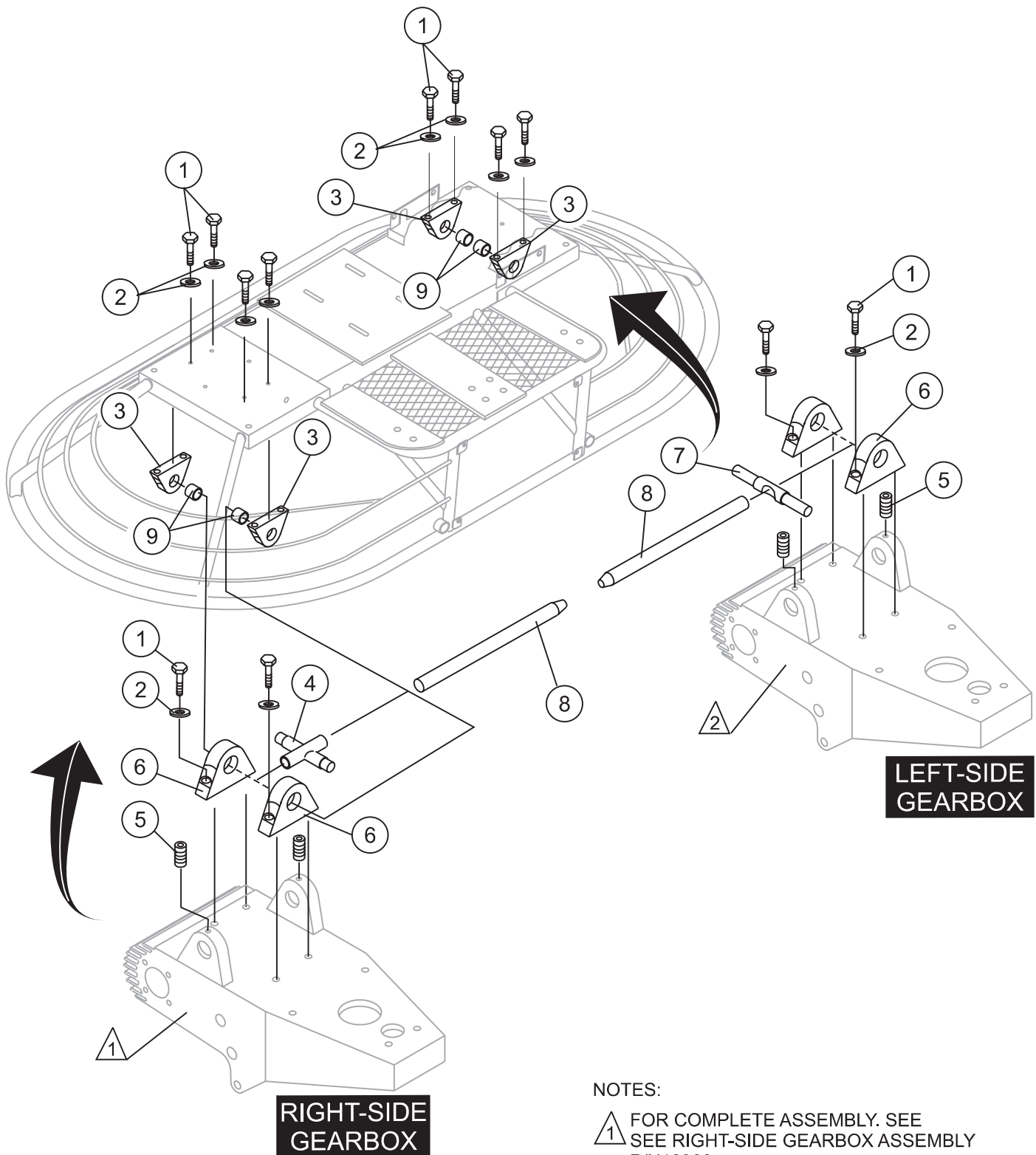
JTN RIDE-ON TROWEL— STEERING ASSIST ASSY. (RT/LT)

STEERING ASSIST ASSY. (RT/LT) 61580 AND ABOVE

<u>NO.</u>	<u>PART NO.</u>	<u>PART NAME</u>	<u>QTY.</u>	<u>REMARKS</u>
1	11089	SHCS 3/8- 16 X 2"	1	
2	1284	HHCS 3/8- 16 X 1.1/2"	1	
3	10133	LOCK NUT 3/8-16	1	
4	11303	BRACKET	1	
5	2196	SPACER	3	
6	2064	SPHERICAL BEARING	2	RIGHT HAND FEMALE
7	2199	JAM NUT 3/8- 24	2	
8	11498	LINKAGE ROD	1	
9	11090	SHCS 3/8- 16 X 1.1/4"	1	
10	11149	BEARING	2	
12	10136	FLAT WASHER 3/8"	4	
13	11138	BEARING HOUSING	4	
14	1023	HHCS 3/8- 16 X 1.1/4"	8	
15	12650	STEERING CON. LS (ASSIST)	1	
16	11265	FLAT WASHER 3/4"	1	
17	12408	BUSHING, GARLOCK 12FDU12	4	
18	2219	COTTER PIN	2	
19	12651	STEERING CON. RS (ASSIST)	1	
20	11079	HANDLE, LOWER	1	
22	2197	ACORN NUT 1/4- 20	1	
23	0424	HHCS 1/4- 20 X 1.1/4"	1	
24	2267	RIGHT-SIDE HAND GRIP	1	
25	0189	LEFT-SIDE HAND GRIP	1	NO OPTIONS
26	2765	RETARDANT SPRAY SWITCH	1	

JTN RIDE-ON TROWEL— GEARBOX PIVOT ASSY.

GEARBOX PIVOT ASSY.



NOTES:

▲ **1** FOR COMPLETE ASSEMBLY. SEE
SEE RIGHT-SIDE GEARBOX ASSEMBLY
P/N10966.

▲ **2** FOR COMPLETE ASSEMBLY. SEE
SEE LEFT-SIDE GEARBOX ASSEMBLY
P/N10967.

JTN RIDE-ON TROWEL— GEARBOX PIVOT ASSY.

GEARBOX PIVOT ASSY.

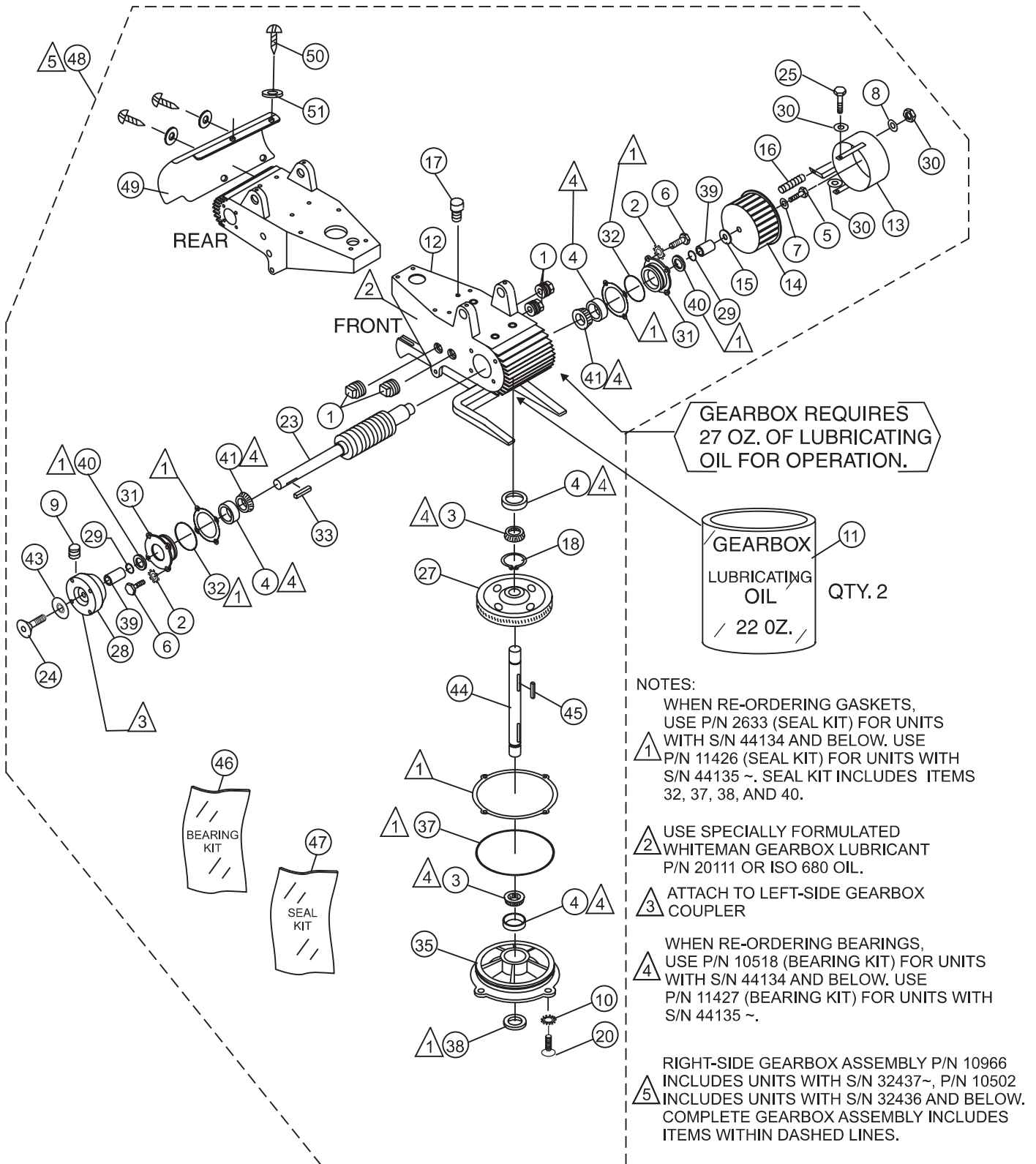
<u>NO.</u>	<u>PART NO.</u>	<u>PART NAME</u>	<u>QTY.</u>	<u>REMARKS</u>
1	1023	HHCS 3/8- 16 X 1.1/4"	12	
2	0166 A	LOCK WASHER 3/8"	12	
3	2079	ROCKER BLOCK ASSY.	4	
4	2044	PIVOT ARM ASSY.	1	
5	10138	SHSS 1/4- 20 X 1/2"	4	
6	10973	ROCKER BLOCK	4	
7	2076	PIVOT SHAFT	1	
8	2824	CONTROL PIVOT TUBE	2	
9	2088	BUSHING	4	

NOTE:

AFTER PRESSING BUSHING ITEM 9 INTO ROCKER BLOCK, REAM TO .752 INCHES \pm .001

JTN RIDE-ON TROWEL— GEARBOX ASSY. (RIGHT-SIDE)

GEARBOX ASSY. (RIGHT-SIDE) WITH 1-1/8 DIA. SHAFT.



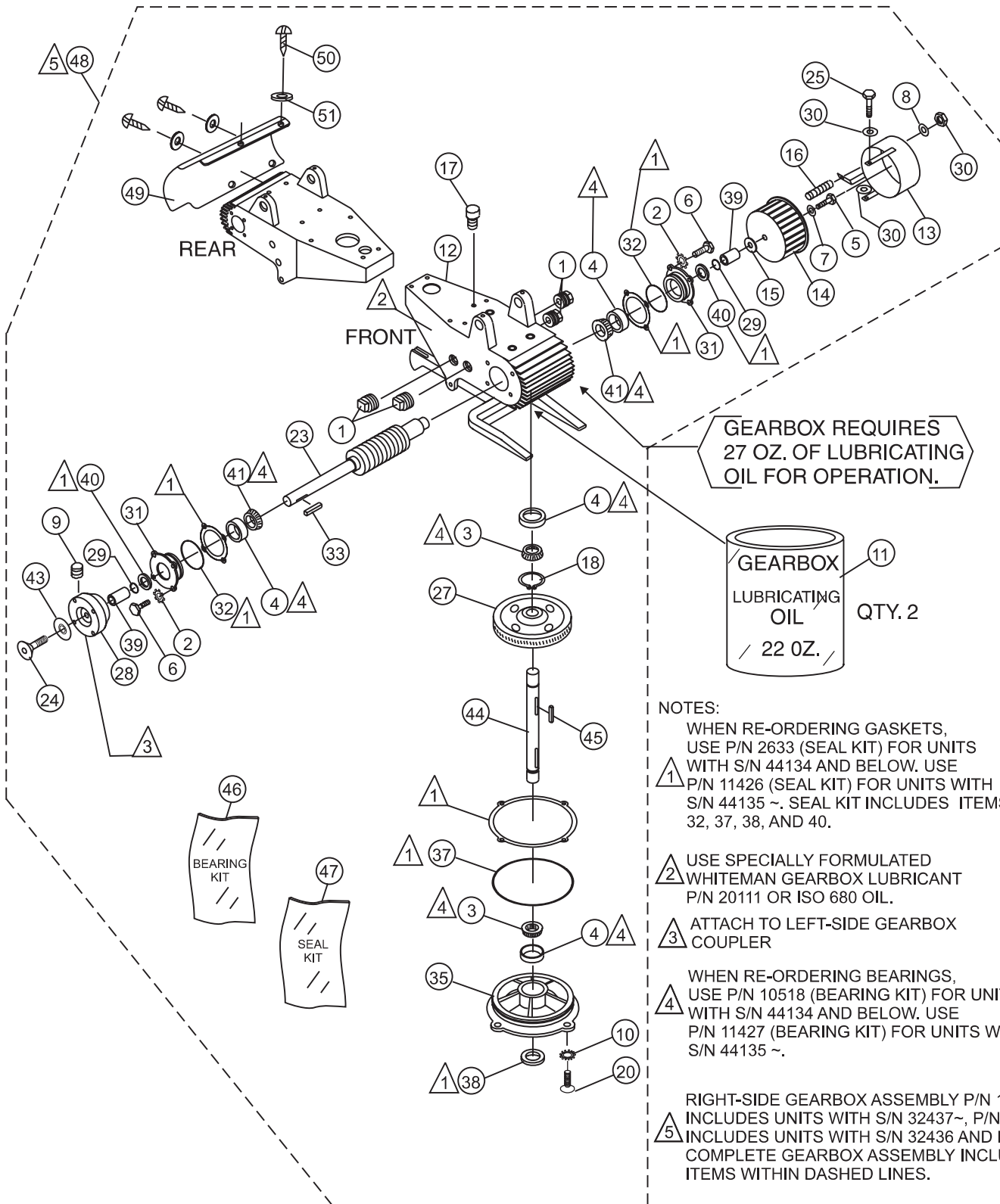
JTN RIDE-ON TROWEL— GEARBOX ASSY. (RIGHT-SIDE)

GEARBOX ASSY. (RIGHT-SIDE) WITH 1-1/8 DIA. SHAFT.

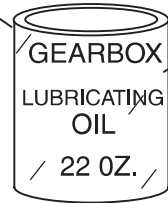
<u>NO</u>	<u>PART NO</u>	<u>PART NAME</u>	<u>QTY.</u>	<u>REMARKS</u>
1%@	0121 A	FITTING, PLUG 3/8MP SQ HEAD	3	
2%	10031	WASHER, COPPER 1/4"	8	
3*%\$@	0232	BEARING, CONE, TIMKEN #1985	2	
4*%\$@	0232 A	BEARING, CUP, TIMKEN #1932	4	
5@	0424	SCREW, HHC 1/4-20 X 1-1/4"	1	
6@	2295	SCREW, HHC 1/4-20 X 1"	8	UP TO S/N 32436
6@	0730	SCREW FHSCS, 5/16-18 X 1"	8	S/N 32437~
7%	10930	WASHER, FLAT, 1/4 SAE	1	
8%	10237	EXT. SHKP WASHER	1	
9%@	10138	SCREW, SHS 1/4-20 X 1/2", N.P.	1	
10%@	10235	WASHER, C/S EXT. SHKP, 5/16	4	
11%@	20111	GEARBOX LUBRICATING OIL (22.OZ. BOTTLE) ..	2	GEARBOX REQUIRES 27 OZ.
12%	10492	GEARBOX (CASE ONLY)	1	S/N 32436 AND BELOW
12%	10800	GEARBOX (CASE ONLY)	1	S/N 32437~
13%	10890	FAN COVER, RIGHT-SIDE	1	
14%	10921	FAN, AAI 3.5 X 1.5 CW ROTATION	1	
15%	10930	WASHER, FENDER, 1/4 X 1-1/4"	1	
16%	10989	STUD, 10-32 X 3/4"	1	
17%@	1132	VENT, AIR	1	
18%@	1138	RING, SNAP, TRUARC 5100-112	1	
20%@	20875	SCREW, FHSC 5/16-18 X 1", NYLOC, NP	4	
23@	10497	RS WORM AND C/SHAFT W/BEARING	1	S/N 39205 AND BELOW
23@	10876	RS WORM AND C/SHAFT W/BEARING	1	S/N 39206- TO 44134
23%	11231	RS WORM AND C/SHAFT W/BEARING	1	S/N 44135 ~
24%@	1146	SCREW, FHSC 3/8-24 X 3/4 PLAIN	1	
25%	19477	HEX SLOTTED WASHER HEAD 10-32 X 1/2"	2	
27%@	2249	GEAR, WORM GEAR, RH	1	
28%@	2030	COUPLER- 7/8" ID	1	
29%@	2115	O-RING, SIZE -022, BUNA-N	2	S/N 44134 AND BELOW
30%	2203	WASHER, FLAT, #10	3	

JTN RIDE-ON TROWEL— GEARBOX ASSY. (RIGHT-SIDE)

GEARBOX ASSY. (LEFT-SIDE) WITH 1-1/8 DIA. SHAFT.



GEARBOX REQUIRES
27 OZ. OF LUBRICATING
OIL FOR OPERATION.



QTY. 2

NOTES:

- 1 WHEN RE-ORDERING GASKETS, USE P/N 2633 (SEAL KIT) FOR UNITS WITH S/N 44134 AND BELOW. USE P/N 11426 (SEAL KIT) FOR UNITS WITH S/N 44135 ~. SEAL KIT INCLUDES ITEMS 32, 37, 38, AND 40.
- 2 USE SPECIALLY FORMULATED WHITEMAN GEARBOX LUBRICANT P/N 20111 OR ISO 680 OIL.
- 3 ATTACH TO LEFT-SIDE GEARBOX COUPLER
- 4 WHEN RE-ORDERING BEARINGS, USE P/N 10518 (BEARING KIT) FOR UNITS WITH S/N 44134 AND BELOW. USE P/N 11427 (BEARING KIT) FOR UNITS WITH S/N 44135 ~.
- 5 RIGHT-SIDE GEARBOX ASSEMBLY P/N 10966 INCLUDES UNITS WITH S/N 32437~, P/N 10502 INCLUDES UNITS WITH S/N 32436 AND BELOW. COMPLETE GEARBOX ASSEMBLY INCLUDES ITEMS WITHIN DASHED LINES.

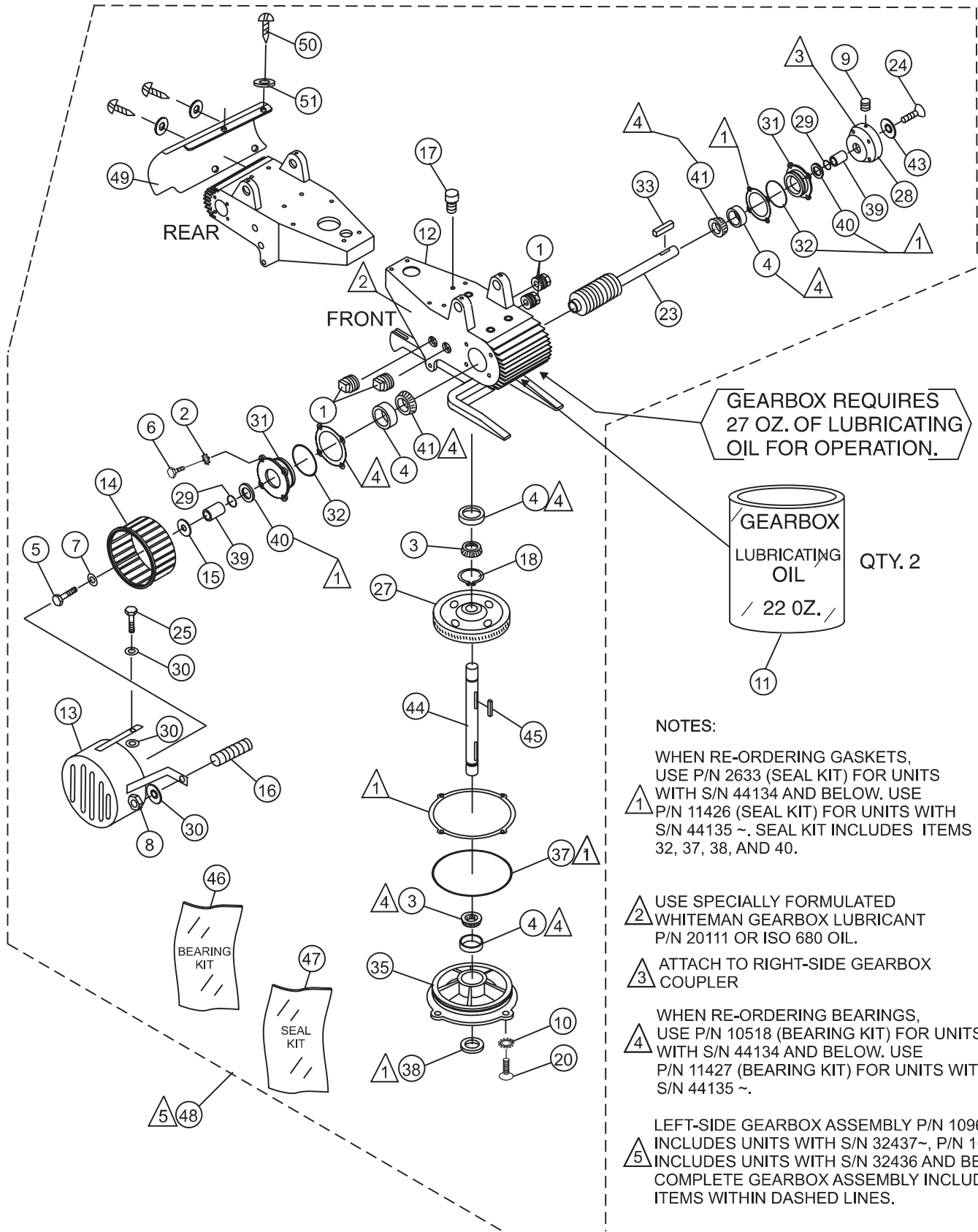
JTN RIDE-ON TROWEL— GEARBOX ASSY. (RIGHT-SIDE)

GEARBOX ASSY. (RIGHT-SIDE) WITH 1-1/8 DIA. SHAFT.

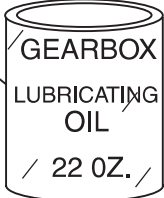
<u>NO</u>	<u>PART NO</u>	<u>PART NAME</u>	<u>QTY.</u>	<u>REMARKS</u>
31@	10499	END CAP	1	S/N 32436 AND BELOW
31%	10498	COUNTERSHAFT FLANGE	2	S/N 32437~
31@	10499	END CAP	1	S/N 32436 AND BELOW
32#%@+	2308	O-RING, 2- 13/1"	2	
33%@	2126	KEY, 1/4 X 1/4 X 13/16"	1	
35%@	1145	PLATE, COVER	1	
37#%@+	1143	O-RING, A-264	1	
38#%@+	10461	SEAL, OIL, 471763	1	
39%	10497	SPACER, 1-1/4 X 1 X 1.375" L.....	2	S/N 44134 AND BELOW
40#@	10460	SEAL, OIL, NATIONAL #471413	2	S/N 32436 AND BELOW
40+%	11417	SEAL, OIL, TCM09142VTB-H24V	2	S/N 32437~
41*%@	19393-002	BEARING, #1986	2	S/N 44134 AND BELOW
41%\$	11318	BEARING, #7205	2	S/N 44135 AND ABOVE
43%@	2037	RETAINER, DRIVEN PULLEY	1	
44%@	2231	MAINSHAFT	1	
45%@	2229	KEY, 5/16 X 1-7/16" HRDND	1	
46@	10518	BEARING KIT (S/N 44134 AND BELOW)	1	INCLUDES ITEMS W/*
46%	11427	BEARING KIT (S/N 44135 AND ABOVE)	1	INCLUDES ITEMS W/\$
47@	2633	SEAL KIT (S/N 44134 AND BELOW)	1	INCLUDES ITEMS W/#
47%	11426	SEAL KIT (S/N 44135 AND ABOVE)	1	INCLUDES ITEMS W/+
48	10502	GEARBOX ASSY. (S/N 32436 AND BELOW)	1	INCLUDES ITEMS W/@
48	10966	GEARBOX ASSY. (S/N 32437~)	1	INCLUDES ITEMS W/%
49%	12982	COVER, GEARBOX COOLING FINS	1	
50%	5031 A	SCREW 1/4-20 X 1/2"	4	
51%	0948	WASHER, FLAT 1/4"	4	

JTN RIDE-ON TROWEL— GEARBOX ASSY. (LEFT-SIDE)

GEARBOX ASSY. (LEFT-SIDE) WITH 1-1/8 DIA. SHAFT.



GEARBOX REQUIRES
27 OZ. OF LUBRICATING
OIL FOR OPERATION.



QTY. 2

NOTES:

- 1 WHEN RE-ORDERING GASKETS, USE P/N 2633 (SEAL KIT) FOR UNITS WITH S/N 44134 AND BELOW. USE P/N 11426 (SEAL KIT) FOR UNITS WITH S/N 44135 ~. SEAL KIT INCLUDES ITEMS 32, 37, 38, AND 40.
- 2 USE SPECIALLY FORMULATED WHITEMAN GEARBOX LUBRICANT P/N 20111 OR ISO 680 OIL.
- 3 ATTACH TO RIGHT-SIDE GEARBOX COUPLER
- 4 WHEN RE-ORDERING BEARINGS, USE P/N 10518 (BEARING KIT) FOR UNITS WITH S/N 44134 AND BELOW. USE P/N 11427 (BEARING KIT) FOR UNITS WITH S/N 44135 ~.
- 5 LEFT-SIDE GEARBOX ASSEMBLY P/N 10967 INCLUDES UNITS WITH S/N 32437~, P/N 10503 INCLUDES UNITS WITH S/N 32436 AND BELOW. COMPLETE GEARBOX ASSEMBLY INCLUDES ITEMS WITHIN DASHED LINES.

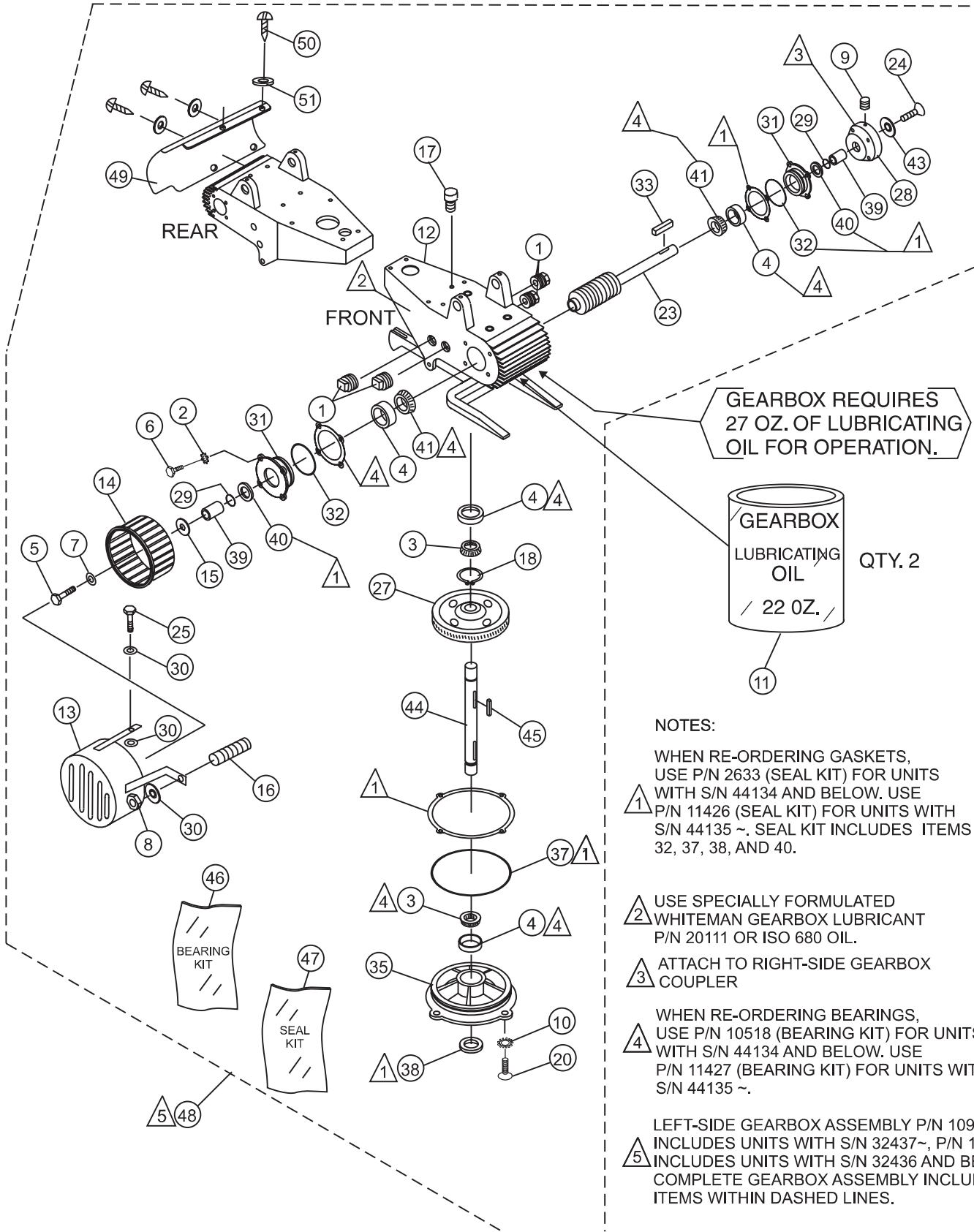
JTN RIDE-ON TROWEL— GEARBOX ASSY. (LEFT-SIDE)

GEARBOX ASSY. (LEFT-SIDE) WITH 1-1/8 DIA. SHAFT.

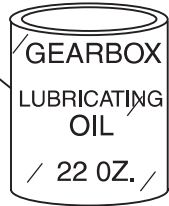
<u>NO</u>	<u>PART NO</u>	<u>PART NAME</u>	<u>QTY.</u>	<u>REMARKS</u>
1%@	0121 A	FITTING, PLUG 3/8MP SQ HEAD	3	
2%	10031	WASHER, COPPER 1/4"	8	
3*%\$@	0232	BEARING, CONE, TIMKEN #1985	2	
4*%\$@	0232 A	BEARING, CUP, TIMKEN #1932	4	
5@	0424	SCREW, HHC 1/4-20 X 1-1/4"	1	
6@	2295	SCREW, HHC 1/4-20 X 1"	8	UP TO S/N 32436
6@	0730	SCREW FHSCS, 5/16-18 X 1"	8	S/N 32437~
7%	10930	WASHER, FLAT, 1/4 SAE	1	
8%	10237	EXT. SHKP WASHER	1	
9%@	10138	SCREW, SHS 1/4-20 X 1/2", N.P.	1	
10%@	10235	WASHER, C/S EXT. SHKP, 5/16	4	
11%@	20111	GEARBOX LUBRICATING OIL (22.OZ. BOTTLE) ..	2	GEARBOX REQUIRES 27 OZ.
12%	10492	GEARBOX (CASE ONLY)	1	S/N 32436 AND BELOW
12%	10800	GEARBOX (CASE ONLY)	1	S/N 32437~
13%	10882	FAN COVER, LEFT-SIDE	1	
14%	10922	FAN, AAI 3.5 X 1.5 CCW ROTATION	1	
15%	10930	WASHER, FENDER, 1/4 X 1-1/4"	1	
16%	10989	STUD, 10-32 X 3/4"	1	
17%@	1132	VENT, AIR	1	
18%@	1138	RING, SNAP, TRUARC 5100-112	1	
20%@	20875	SCREW, FHSC 5/16-18 X 1", NYLOC, NP	4	
23@	10496	LS WORM AND C/SHAFT W/BEARING	1	S/N 39205 AND BELOW
23@	10877	LS WORM AND C/SHAFT W/BEARING	1	S/N 39206- TO 44134
23%	11232	LS WORM AND C/SHAFT W/BEARING	1	S/N 44135 ~
24%@	1146	SCREW, FHSC 3/8-24 X 3/4 PLAIN	1	
25%	19477	HEX SLOTTED WASHER HEAD 10-32 X 1/2"	2	
27%@	2250	GEAR, WORM GEAR, LH	1	
28%@	2030	COUPLER- 7/8" ID	1	
29%@	2115	O-RING, SIZE -022, BUNA-N	2	S/N 44134 AND BELOW
30%	2203	WASHER, FLAT, #10	3	

JTN RIDE-ON TROWEL— GEARBOX ASSY. (LEFT-SIDE)

GEARBOX ASSY. (LEFT-SIDE) WITH 1-1/8 DIA. SHAFT.



GEARBOX REQUIRES
27 OZ. OF LUBRICATING
OIL FOR OPERATION.



QTY. 2

NOTES:

- 1 WHEN RE-ORDERING GASKETS, USE P/N 2633 (SEAL KIT) FOR UNITS WITH S/N 44134 AND BELOW. USE P/N 11426 (SEAL KIT) FOR UNITS WITH S/N 44135 ~. SEAL KIT INCLUDES ITEMS 32, 37, 38, AND 40.
- 2 USE SPECIALLY FORMULATED WHITEMAN GEARBOX LUBRICANT P/N 20111 OR ISO 680 OIL.
- 3 ATTACH TO RIGHT-SIDE GEARBOX COUPLER
- 4 WHEN RE-ORDERING BEARINGS, USE P/N 10518 (BEARING KIT) FOR UNITS WITH S/N 44134 AND BELOW. USE P/N 11427 (BEARING KIT) FOR UNITS WITH S/N 44135 ~.
- 5 LEFT-SIDE GEARBOX ASSEMBLY P/N 10967 INCLUDES UNITS WITH S/N 32437~, P/N 10503 INCLUDES UNITS WITH S/N 32436 AND BELOW. COMPLETE GEARBOX ASSEMBLY INCLUDES ITEMS WITHIN DASHED LINES.

JTN RIDE-ON TROWEL— GEARBOX ASSY. (LEFT-SIDE)

GEARBOX ASSY. (LEFT-SIDE) WITH 1-1/8 DIA. SHAFT.

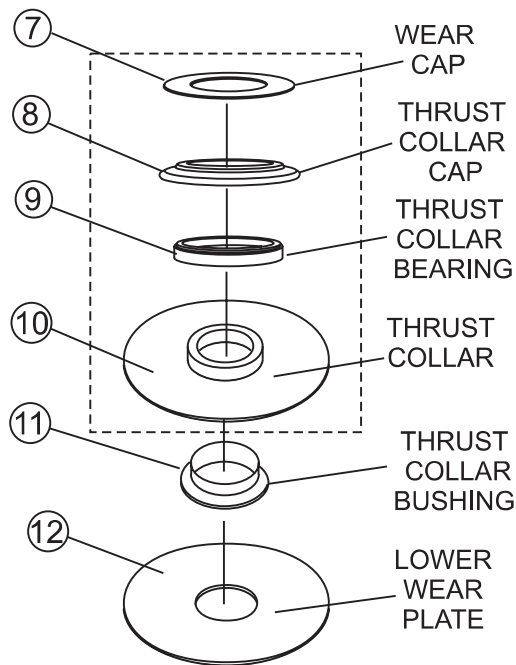
<u>NO</u>	<u>PART NO</u>	<u>PART NAME</u>	<u>QTY.</u>	<u>REMARKS</u>
31@	10499	END CAP	1	S/N 32436 AND BELOW
31%	10498	COUNTERSHAFT FLANGE	2	S/N 32437~
31@	10499	END CAP	1	S/N 32436 AND BELOW
32#%@	2308	O-RING, 2- 13/1"	2	
33%@	2126	KEY, 1/4 X 1/4 X 13/16"	1	
35%@	1145	PLATE, COVER	1	
37#%@	1143	O-RING, A-264	1	
38#%@	10461	SEAL, OIL, 471763	1	
39%	10497	SPACER, 1-1/4 X 1 X 1.375" L	2	S/N 44134 AND BELOW
40#@	10460	SEAL, OIL, NATIONAL #471413	2	S/N 32436 AND BELOW
40+%	11417	SEAL, OIL, TCM09142VTB-H24V	2	S/N 32437~
41*%@	19393-002	BEARING, #1986	2	S/N 44134 AND BELOW
41%\$	11318	BEARING, #7205	2	S/N 44135 AND ABOVE
43%@	2037	RETAINER, DRIVEN PULLEY	1	
44%@	2231	MAINSHAFT	1	
45%@	2229	KEY, 5/16 X 1-7/16" HRDND	1	
46@	10518	BEARING KIT (S/N 44134 AND BELOW)	1	INCLUDES ITEMS W/*
46%	11427	BEARING KIT (S/N 44135 AND ABOVE)	1	INCLUDES ITEMS W/\$
47@	2633	SEAL KIT (S/N 44134 AND BELOW)	1	INCLUDES ITEMS W/#
47%	11426	SEAL KIT (S/N 44135 AND ABOVE)	1	INCLUDES ITEMS W/+
48	10503	GEARBOX ASSY. (S/N 32436 AND BELOW)	1	INCLUDES ITEMS W/@
48	10967	GEARBOX ASSY. (S/N 32437~)	1	INCLUDES ITEMS W/%
49%	12982	COVER, GEARBOX COOLING FINS	1	
50%	5031 A	SCREW 1/4-20 X 1/2"	4	
51%	0948	WASHER, FLAT 1/4"	4	

JTN RIDE-ON TROWEL—THRUST BEARING KIT ASSY.

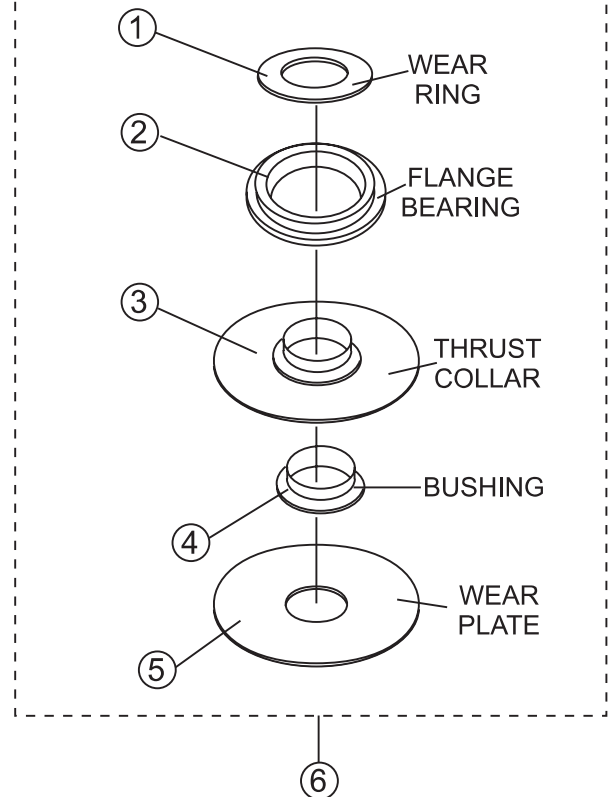
THRUST BEARING KIT ASSEMBLY.

THRUST BEARING KIT No. 10968

OLD STYLE THRUST BEARING NO LONGER USED



NEW STYLE THRUST BEARING



WHEN RE-ORDERING ***MUST*** USE
THRUST BEARING KIT P/N 10968.
OLD STYLE IS NOT AVAILABLE.

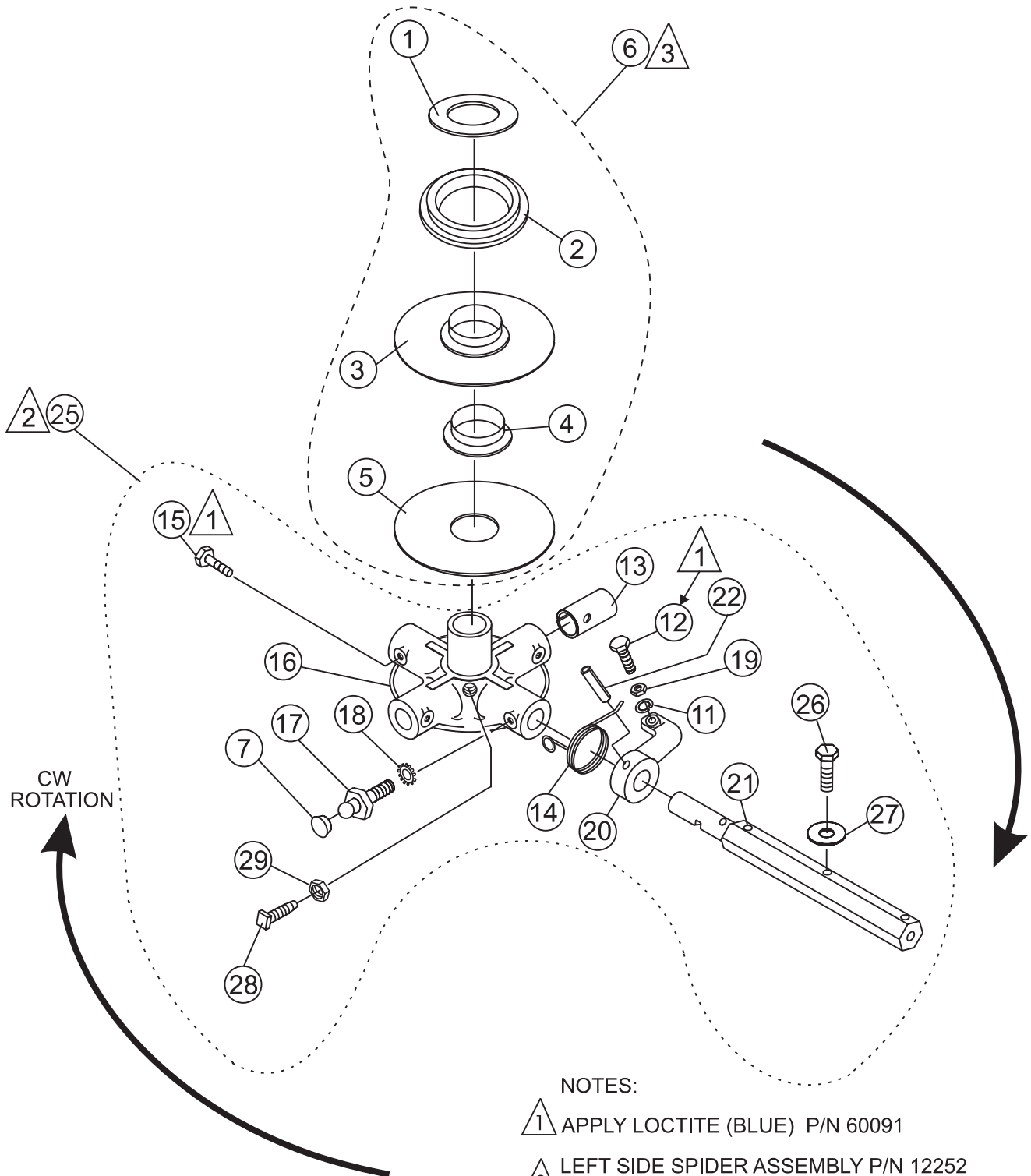
JTN RIDE-ON TROWEL—THRUST BEARING KIT ASSY.

THRUST BEARING KIT ASSEMBLY.

<u>NO.</u>	<u>PART NO.</u>	<u>PART NAME</u>	<u>QTY.</u>	<u>REMARKS</u>
1*	12208	WEAR RING	1	NEW STYLE
2*	12778	FLANGE BEARING	1	NEW STYLE
3*	10793	THRUST COLLAR W/BUSHING	1	NEW STYLE
4*	1471	BUSHING	1	NEW STYLE
5*	1154 A	LOWER WEAR PLATE	1	NEW STYLE
6	10968	THRUST BEARING KIT	1	INCLUDES ITEMS W/*
7	1803	WEAR CAP	1	OLD STYLE
8	1152	THRUST COLLAR CAP	1	OLD STYLE
9	1153	THRUST COLLAR BEARING	1	OLD STYLE
10	1154	THRUST COLLAR	1	OLD STYLE
11	1471	THRUST COLLAR BUSHING	1	OLD STYLE
12	1154 A	LOWER WEAR PLATE	1	OLD STYLE

JTN RIDE-ON TROWEL— SPIDER ASSY. (LEFT-SIDE)

LEFT SIDE SPIDER ASSEMBLY
(VIEW FROM DRIVERS SEAT)



NOTES:

- ① APPLY LOCTITE (BLUE) P/N 60091
- ② LEFT SIDE SPIDER ASSEMBLY P/N 12252
INCLUDES ALL ITEMS WITHIN OUTLINE.
- ③ THRUST BEARING KIT P/N 10968
INCLUDES ALL ITEMS WITHIN OUTLINE.

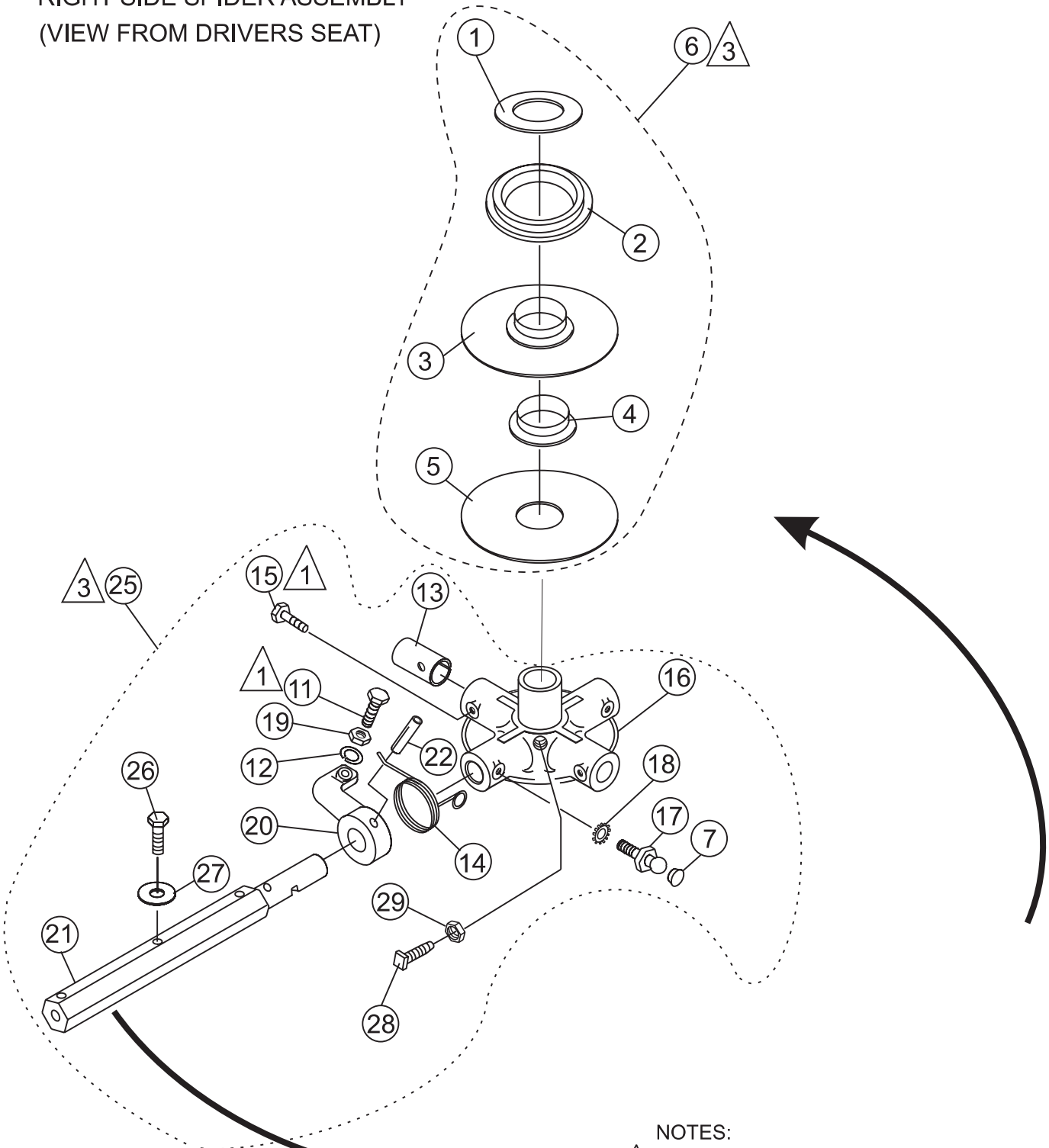
JTN RIDE-ON TROWEL— SPIDER ASSY. (LEFT-SIDE)

4-BLADE SPIDER ASSY. (LEFT-SIDE)

<u>NO</u>	<u>PART NO</u>	<u>PART NAME</u>	<u>QTY.</u>	<u>REMARKS</u>
1*	12208	WEAR RING	1	
2*	12778	FLANGE BEARING	1	
3*	10793	THRUST COLLAR W/BUSHING	2	
4*	1471	BUSHING	1	
5*	1154 A	LOWER WEAR PLATE	1	
6	10968	THRUST BEARING KIT	1	INCLUDES ITEMS W/*
7#	1162 A	CAP, GREASE ZERK, #2 YELLOW	1	
11#	0164 B	WASHER, LOCK 3/8" MED	4	
12#	0166 A	HHC 3/8-16 X 1-1/4 FT.	4	
13#	1157 A	BUSHING	8	
14#	1316	SPRING, L.S. ARM RETURN	4	
15#	11602	SCREW, HHC 3/8-16 X 3/8	4	
16#	12452	PLATE, SPIDER	1	
17#	1322	SCREW, RETAINING	4	
18#	1875	WASHER, INT. SHKP, 3/8	4	
19#	1876	NUT, HEX JAM 3/8-16 CLASS 2B	4	
20#	1163	LEVER, TROWEL RH	4	
21#	2826	ARM, TROWEL EXTENDED 16-1/2"	4	
22#	4164	PIN, ROLL 5/16 X 2, N.P.	4	
25	12252	SPIDER ASSY, LEFT SIDE	1	INCLUDES ITEMS W/#
26#	0105	HHCS 5/16-18 X 1.1/2"	4	
27#	0161 C	LOCK WASHER 5/16"	8	
28	12097	SCREW, SQHS 3/8-16x1-3/4" CONE GD 8	1	
29	1456	NUT, HEX. 3/8-16	1	

JTN RIDE-ON TROWEL— SPIDER ASSY. (RIGHT-SIDE)

RIGHT SIDE SPIDER ASSEMBLY
(VIEW FROM DRIVERS SEAT)



NOTES:

- ① APPLY LOCTITE (BLUE) P/N 60091
- ② RIGHT SIDE SPIDER ASSEMBLY P/N 12251
INCLUDES ALL ITEMS WITHIN OUTLINE.
- ③ THRUST BEARING KIT P/N 10968
INCLUDES ALL ITEMS WITHIN OUTLINE.

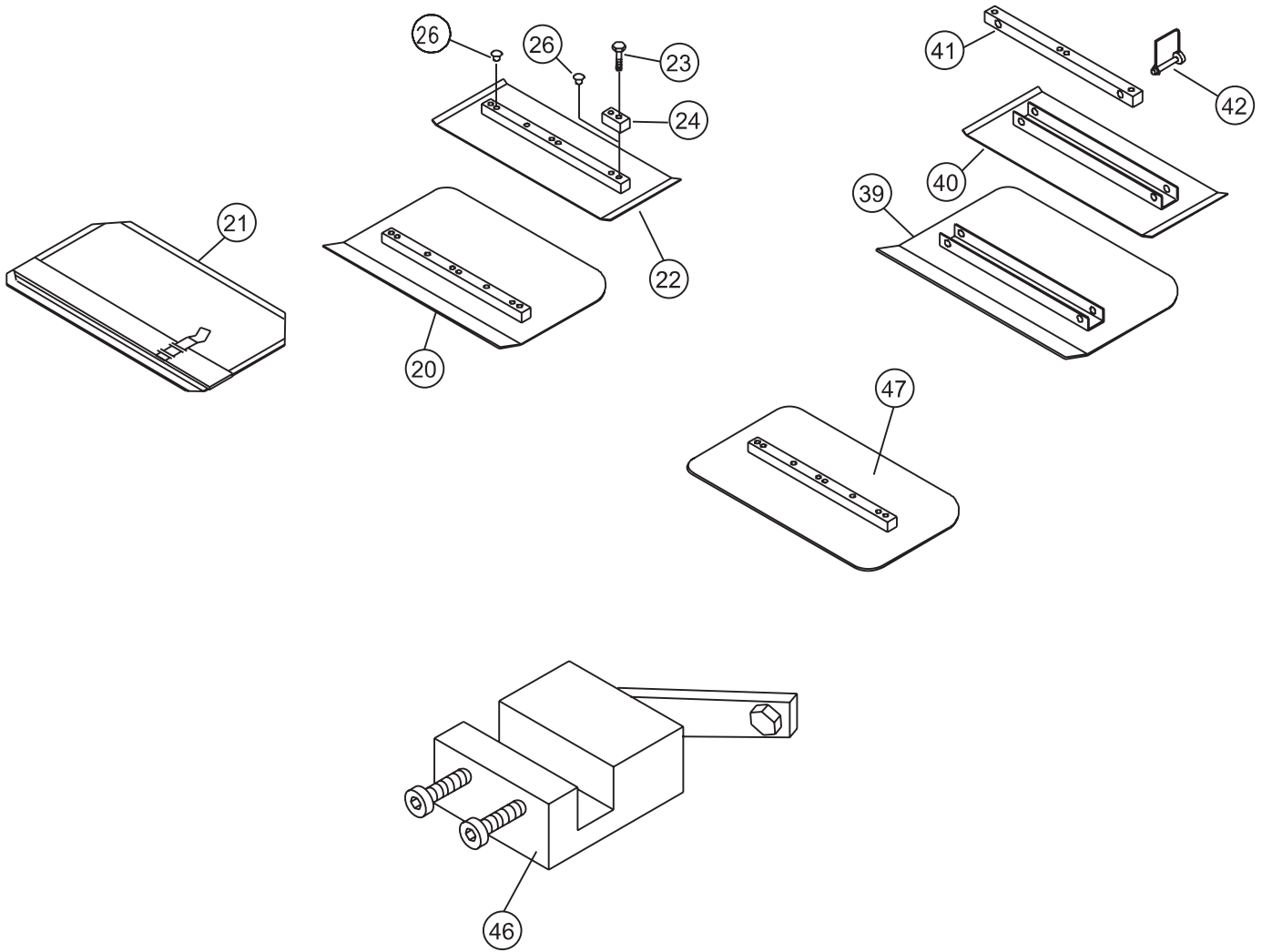
JTN RIDE-ON TROWEL— SPIDER ASSY. (RIGHT-SIDE)

4-BLADE SPIDER ASSY.(RIGHT-SIDE)

<u>NO</u>	<u>PART NO</u>	<u>PART NAME</u>	<u>QTY.</u>	<u>REMARKS</u>
1*	12208	WEAR RING	1	
2*	12778	FLANGE BEARING	1	
3*	10793	THRUST COLLAR W/BUSHING	2	
4*	1471	BUSHING	1	
5*	1154 A	LOWER WEAR PLATE	1	
6	10968	THRUST BEARING KIT	1	INCLUDES ITEMS W/*
7#	1162 A	CAP, GREASE ZERK, #2 YELLOW	1	
11#	0164 B	SCREW, HHC 3/8-16 X 1 1/4 F.T.	4	
12#	0166 A	WASHER, LOCK, 3/8 MED.	4	
13#	1157 A	BUSHING	8	
14#	1317	SPRING, R.S. ARM RETURN	4	
15#	11602	SCREW, HHC 3/8-16 X 3/8	4	
16#	12452	PLATE, SPIDER	1	
17#	1322	SCREW, RETAINING	4	
18#	1875	WASHER, INT. SHKP, 3/8	4	
19#	1876	NUT, HEX JAM 3/8-16 CLASS 2B	4	
20#	1555	LEVER, TROWEL LH	4	
21#	2826	ARM, TROWEL EXTENDED 16-1/2"	4	
22#	4164	PIN, ROLL 5/16 X 2, N.P.	4	
25	12251	SPIDER ASSY, RIGHT SIDE	1	INCLUDES ITEMS W/#
26#	0105	HHCS 5/16-18 X 1.1/2"	4	
27#	0161 C	LOCK WASHER 5/16"	8	
28	12097	SCREW, SQHS 3/8-16x1-3/4" CONE GD 8	1	
29	1456	NUT, HEX. 3/8-16	1	

JTN RIDE-ON TROWEL— BLADES AND ADJ. FIXTURE ASSY.

BLADES & ADJUSTMENT FIXTURE ASSY.



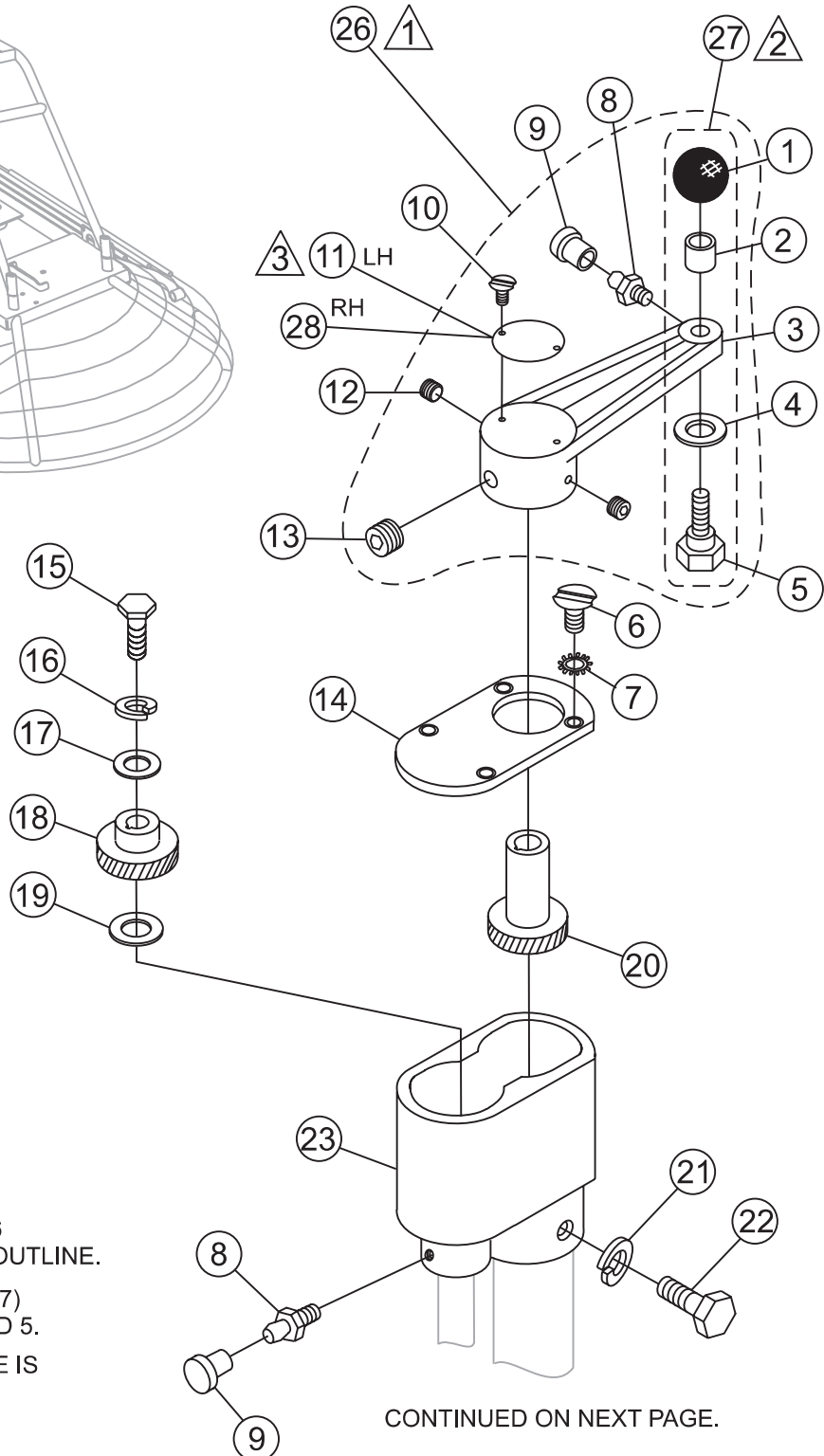
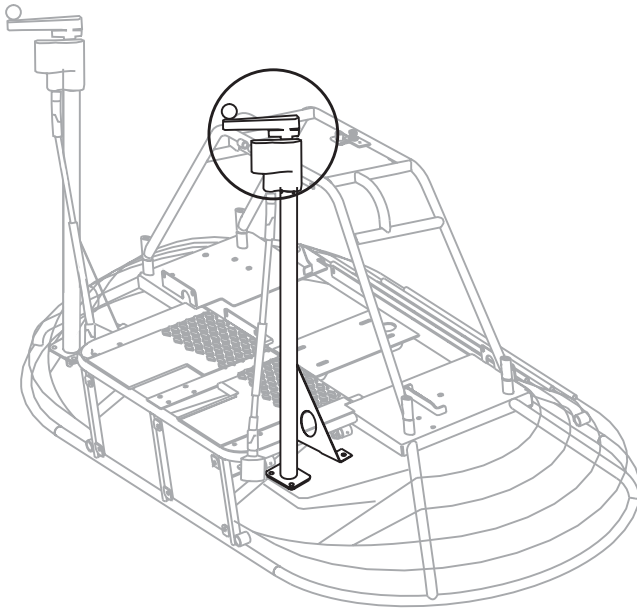
JTN RIDE-ON TROWEL— BLADES AND ADJ. FIXTURE ASSY.

BLADES & ADJUSTMENT FIXTURE ASSY.

<u>NO.</u>	<u>PART NO.</u>	<u>PART NAME</u>	<u>QTY.</u>	<u>REMARKS</u>
20		COMBO FLOAT & FINISH BLADE	4	CONTACT UNIT SALES DEPT./ACCESSORY ITEM
20		ENDURO COMBO FLOAT & FINISH BLADE	4	CONTACT UNIT SALES DEPT./ACCESSORY ITEM
21		FLOAT BLADE	4	CONTACT UNIT SALES DEPT./ACCESSORY ITEM
22		FINISH BLADE	4	CONTACT UNIT SALES DEPT./ACCESSORY ITEM
22		ENDURO FINISH BLADE W/ROTATING	4	CONTACT UNIT SALES DEPT./ACCESSORY ITEM
23	0202	HHCS 5/16-18X1" RING	4	
24	0201	GUARD RING LUG RING	4	
26	1434	TROWEL LUG (FINISH BLADE ONLY)	4	
39		UNIVERSAL COMBO BLADE	4	CONTACT UNIT SALES DEPT./ACCESSORY ITEM
39		ENDURO UNIVERSAL COMBO BLADE	4	CONTACT UNIT SALES DEPT./ACCESSORY ITEM
40		UNIVERSAL FINISH BLADE	4	CONTACT UNIT SALES DEPT./ACCESSORY ITEM
40		ENDURO UNIVERSAL FINISH BLADE	4	CONTACT UNIT SALES DEPT./ACCESSORY ITEM
41		UNIVERSAL MOUNTING BAR	4	CONTACT UNIT SALES DEPT./ACCESSORY ITEM
42		SNAP PIN 1/4"X1.3/4"	8	CONTACT UNIT SALES DEPT./ACCESSORY ITEM
46		TROWEL ARM ADJ. FIXTURE ASSY	1	CONTACT UNIT SALES DEPT./ACCESSORY ITEM
47		REVERSIBLE COMBO BLADE	4	CONTACT UNIT SALES DEPT./ACCESSORY ITEM
49		FLOAT DISC	1	CONTACT UNIT SALES DEPT./ACCESSORY ITEM
50		FLOAT DISC LATCH PIN	4	CONTACT UNIT SALES DEPT./ACCESSORY ITEM

JTN RIDE-ON TROWEL—TWIN PITCH HANDLE ASSY. (LT/RT)

TWIN PITCH CONTROL ASSY. (LEFT AND RIGHT)



- ▲ 1 LEVER ASSEMBLY, ITEM 26 INCLUDES ITEMS WITHIN OUTLINE.
- ▲ 2 KNOB KIT P/N 2737 (ITEM 27) INCLUDES ITEMS 1, 2, 4, AND 5.
- ▲ 3 RIGHT SIDE PITCH HANDLE IS IDENTICAL TO LEFT SIDE PITCH HANDLE UNLESS OTHERWISE NOTED.

CONTINUED ON NEXT PAGE.

JTN RIDE-ON TROWEL—TWIN PITCH HANDLE ASSY. (LT/RT)

TWIN PITCH HANDLE ASSY. (LEFT AND RIGHT)

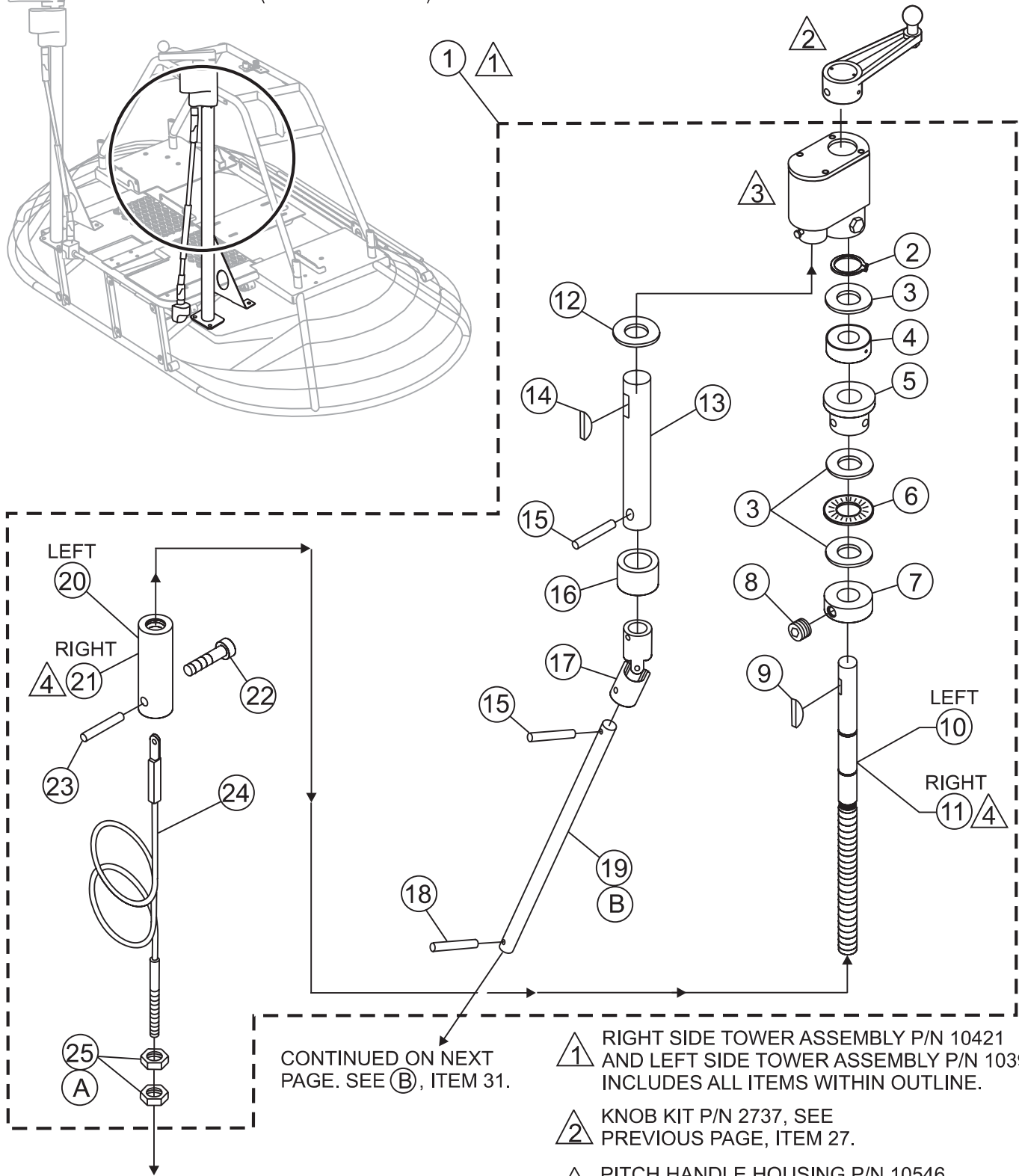
<u>NO</u>	<u>PART NO</u>	<u>PART NAME</u>	<u>QTY.</u>	<u>REMARKS</u>
1 #	4403	CRANK KNOB	1	
2 #	3231	SPACER	1	
3 #	1615	CRANK LEVER	1	
4 #	1733	HARDENED WASHER	1	
5 #	1616	SHOULDER BOLT	1	
6 +%	2620	SCREW, BHC 10 – 24 X 5/8	4	
7	10114	WASHER, EXT. SHKP, #8	4	
8+%	2621	FITTING GREASE	4	
9+%	1162 A	CAP, GREASE ZERK	4	
10 #	4014	SCREW, 2-3/16 P-K TYPE U DRIVE	2	
11	2300	DECAL, AL PITCH, RH	1	
12 #	1528	SCREW, SHSS 1/4 – 20 X 5/16"	2	
13 #	0185	SCREW, SHSS 3/8 – 16 X 3/8"	1	
14 +%	2649	COVER, PITCH CONT HOUSING	1	
15 +%	1579	SCREW, HHC 1/4 – 20 X 1/2	1	
16 +%	0181 B	WASHER, LOCK, 1/4 MED	4	
17 +%	0948	WASHER, FLAT, 1/4 SAE	1	
18 +%	1530	GEAR, SLAVE, TPC	1	
19 +%	1733	WASHER, 1/32 X 1/2 HARDENED	8	
20 +%	1529	GEAR, MASTER, TPC	1	
21 +%	0161 C	WASHER, LOCK 5/16 MED	1	
22 +%	0655	SCREW, HHC 5/16 – 18 X 3/4	1	
23 +%	10546	HOUSING, PITCH CONTROL, 1-3/4	1	
26	1617	LEVER ASSY. , TROWEL ADJUSTMENT ...	1	INCLUDES ITEMS W/#
27	2737	KNOB, KIT	1	INCLUDES ITEMS W/\$
28	2332	DECAL, AL PITCH, LH	1	

NOTE 1: ITEMS WITH + ARE PART OF TWIN PITCH ASSY. LEFT SIDE (P/N 10392)
 ITEMS WITH % ARE PART OF TWIN PITCH ASSY. RIGHT SIDE (P/N 10421)

NOTE 2: INDICATED QUANTITIES ARE FOR ONE PITCH TOWER.
 IF ORDERING FOR TWO PITCH TOWERS DOUBLE THE QUANTITY.

JTN RIDE-ON TROWEL—TWIN PITCH TOWER ASSY. (LT/RT)

TWIN PITCH TOWER ASSY. (LEFT AND RIGHT)



CONTINUED ON NEXT PAGE. SEE (B), ITEM 31.

- ① RIGHT SIDE TOWER ASSEMBLY P/N 10421 AND LEFT SIDE TOWER ASSEMBLY P/N 10392 INCLUDES ALL ITEMS WITHIN OUTLINE.
- ② KNOB KIT P/N 2737, SEE PREVIOUS PAGE, ITEM 27.
- ③ PITCH HANDLE HOUSING P/N 10546 COMPONENTS, SEE PAGE 40, ITEM 23
- ④ RIGHT SIDE TWIN PITCH ASSEMBLY IS IDENTICAL TO LEFT SIDE TWIN PITCH ASSEMBLY UNLESS OTHERWISE NOTED.

CONTINUED ON NEXT PAGE. SEE (A), ITEM 32.

JTN RIDE-ON TROWEL—TWIN PITCH TOWER ASSY. (LT/RT)

TWIN PITCH TOWER ASSY. (LEFT AND RIGHT)

<u>NO</u>	<u>PART NO</u>	<u>PART NAME</u>	<u>QTY.</u>	<u>REMARKS</u>
1 (LT)	10392	TOWER ASSY. , LEFT TPC	1	.. INCLUDES ITEMS W/+
1 (RT)	10421	TOWER ASSY. , RIGHT TPC	1	.. INCLUDES ITEMS W/%
2 +%	10512	RING, SNAP, TRUARC 5160 – 75	1	
3 +%	2170	BEARING, RACE, TORR #TRA 1220	3	
4 +%	1604	BEARING, BALL	1	
5 +%	1612	BEARING, ALUM – PITCH CONTR	1	
6 +%	2169	BEARING, THRUST, TORR #NTA 1220	1	
7 +%	2367	SET COLLAR	1	.. INCLUDES ITEM 8
8 +%	0685	SCREW, SHS 5/16-18 X 5/16	1	
9 +%	0126 B	KEY, WOODRUFF #9	1	
10 +	2010	SHAFT, PITCH CONTROL, LH TPC	1	.. LEFT SIDE ONLY REPLACES 10511
11 %	10510	SHAFT, PITCH CONTROL, RH TPC	1	.. RIGHT SIDE ONLY
12 +%	1733	WASHER, 1/32 X 1/2 HARDENED	8	
13 +%	2007	SHAFT	1	
14 +%	1578	KEY, WOODRUFF, #3	9	.. QTY. INCLUDES USAGE ON BOTH TWIN PITCH ASSEMBLIES, AND MITER BOX SHAFTS.
15 +%	11654	PIN, ROLL 1/8 X 1 PLATED	5	.. QTY. INCLUDES USAGE ON BOTH TWIN PITCH ASSEMBLIES, AND MITER BOX SHAFTS.
16 +%	2311	SPACER, 3/4 X 1/2 X 0.8L	1	
17 +%	1536	U-JOINT, PITCH CONTROL	1	
18 +%	1586	PIN, ROLL 1/8 X 3/4	1	
19 +%	2023	SHAFT, PITCH CONTROL	1	
20 +	10722	SLIDE BLOCK, LH PITCH CONTROL	1	.. LEFT SIDE ONLY
21 %	10721	SLIDE BLOCK, RH PITCH CONTROL	1	.. RIGHT SIDE ONLY
22 +%	10382	BOLT, SHOULDER 3/8 X 3/8 LONG	1	
23 +%	10723	PIN, SPIROL 3/16 X 1 3/8 HD	1	
24 +%	2008	CABLE, PITCH ASSY.	1	
25 +%	1116	NUT, BRASS JAM 5/16 – 18	2	

NOTE 1: ITEMS WITH + ARE PART OF TWIN PITCH ASSY. LEFT-SIDE (P/N 10392)
 ITEMS WITH % ARE PART OF TWIN PITCH ASSY. RIGHT-SIDE (P/N 10421)

NOTE 2: INDICATED QUANTITIES ARE FOR ONE PITCH TOWER.
 IF ORDERING FOR TWO PITCH TOWERS DOUBLE THE QUANTITY.

JTN RIDE-ON TROWEL—TWIN PITCH MITER BOX ASSY. (LT/RT)

TWIN PITCH MITER BOX ASSY. (LEFT AND RIGHT)

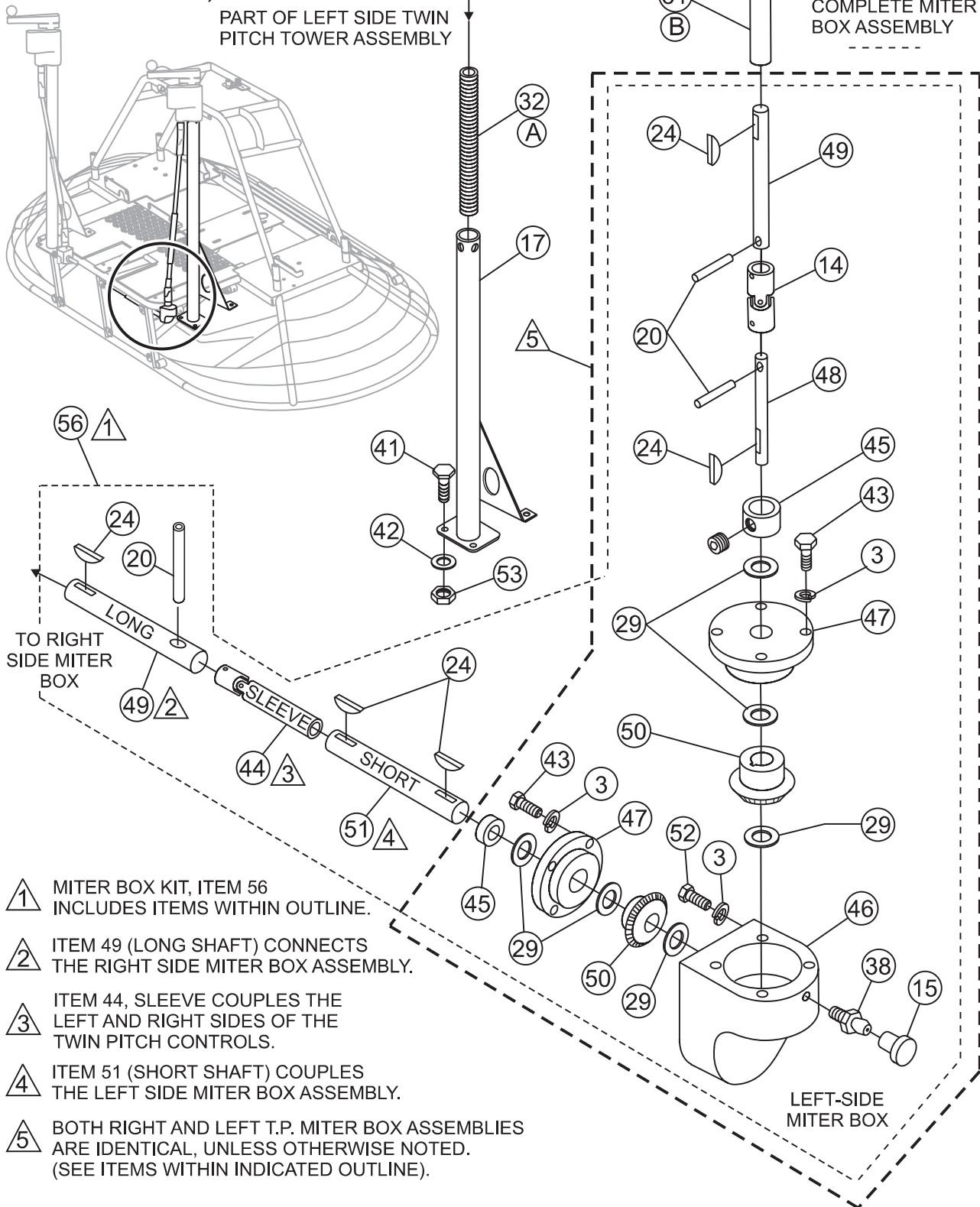
CONTINUED FROM (B), ITEM 19
SEE PREVIOUS PAGE.

CONTINUED FROM (A), ITEM 25
SEE PREVIOUS PAGE.

PART OF LEFT SIDE TWIN
PITCH TOWER ASSEMBLY

TYPICAL BOTH LEFT
AND RIGHT SIDES

COMPLETE MITER BOX
ASSEMBLY



- ① MITER BOX KIT, ITEM 56 INCLUDES ITEMS WITHIN OUTLINE.
- ② ITEM 49 (LONG SHAFT) CONNECTS THE RIGHT SIDE MITER BOX ASSEMBLY.
- ③ ITEM 44, SLEEVE COUPLES THE LEFT AND RIGHT SIDES OF THE TWIN PITCH CONTROLS.
- ④ ITEM 51 (SHORT SHAFT) COUPLES THE LEFT SIDE MITER BOX ASSEMBLY.
- ⑤ BOTH RIGHT AND LEFT T.P. MITER BOX ASSEMBLIES ARE IDENTICAL, UNLESS OTHERWISE NOTED. (SEE ITEMS WITHIN INDICATED OUTLINE).

JTN RIDE-ON TROWEL—TWIN PITCH MITER BOX ASSY. (LT/RT)

TWIN PITCH MITER BOX ASSY. (LEFT AND RIGHT)

<u>NO.</u>	<u>PART NO.</u>	<u>PART NAME</u>	<u>QTY.</u>	<u>REMARKS</u>
3*+%	0181B	WASHER, LOCK 1/4 MED	20	
14*+%	1536	U-JOINT, PITCH CONTROL	2	
15*+%	1162 A	CAP, GREASE ZERK	2	
17	10548	TUBE, PITCH CONTROL	1	
20*+%	1586	PIN ROLL 1/8 x 3/4	11	QTY INCLUDES USAGE ON BOTH TWIN PITCH ASSEMBLIES, AND MITER BOX SHAFTS.
24*+%	1578	KEY, WOODRUFF, #3	9	QTY INCLUDES USAGE ON BOTH TWIN PITCH ASSEMBLIES, AND MITER BOX SHAFTS.
29*+%	1733	WASHER, 1/32 x 1/2 HARDEN	8	
31	2012	SLEEVE, ADJ.-LONG RIDER	1	
32	2156	SPRING, COIL	1	
38*+%	2621	ZERK, GREASE STR 1/4-28	2	
41	0202	SCREW, HHC 5/16-18 x 1	4	
42	0300 B	WASHER, FLAT 5/16 SAE	4	
43*	0730	SCREW, HHC 1/4-20 x 1	8	
44*	2104	SLEEVE W/U JOINT	1	
45*	1577	SET COLLAR, 1/2	2	
46*	1987	MITER BOX, PITCH CONTROL	1	
47*	1988	MITER BOX, BEARING CAP	2	
48*	2021	SHAFT, MITER VERTICAL	1	
49*	2022	SHAFT, MITER	3	QTY INCLUDES USAGE ON BOTH TWIN PITCH ASSEMBLIES, AND MITER BOX SHAFTS.
50*	2062	GEAR, MITER	2	
51*	2821	SHAFT, MITER BOX HORIZ.	1	
52*	4514	SCREW, HHC 1/4-20 x 5/8	4	
53	5283	NUT, NYLOC 5/16-18	4	
56	11655	MITER BOX ASSEMBLY	1	INCLUDES ITEMS W/*

NOTE 1: ITEMS WITH + ARE PART OF TWIN PITCH ASSY. LEFT-SIDE (P/N 10392)
 ITEMS WITH % ARE PART OF TWIN PITCH ASSY. RIGHT-SIDE (P/N 10421)

NOTE 2: INDICATED QUANTITIES ARE FOR ONE PITCH TOWER.
 IF ORDERING FOR TWO PITCH TOWERS DOUBLE THE QUANTITY.

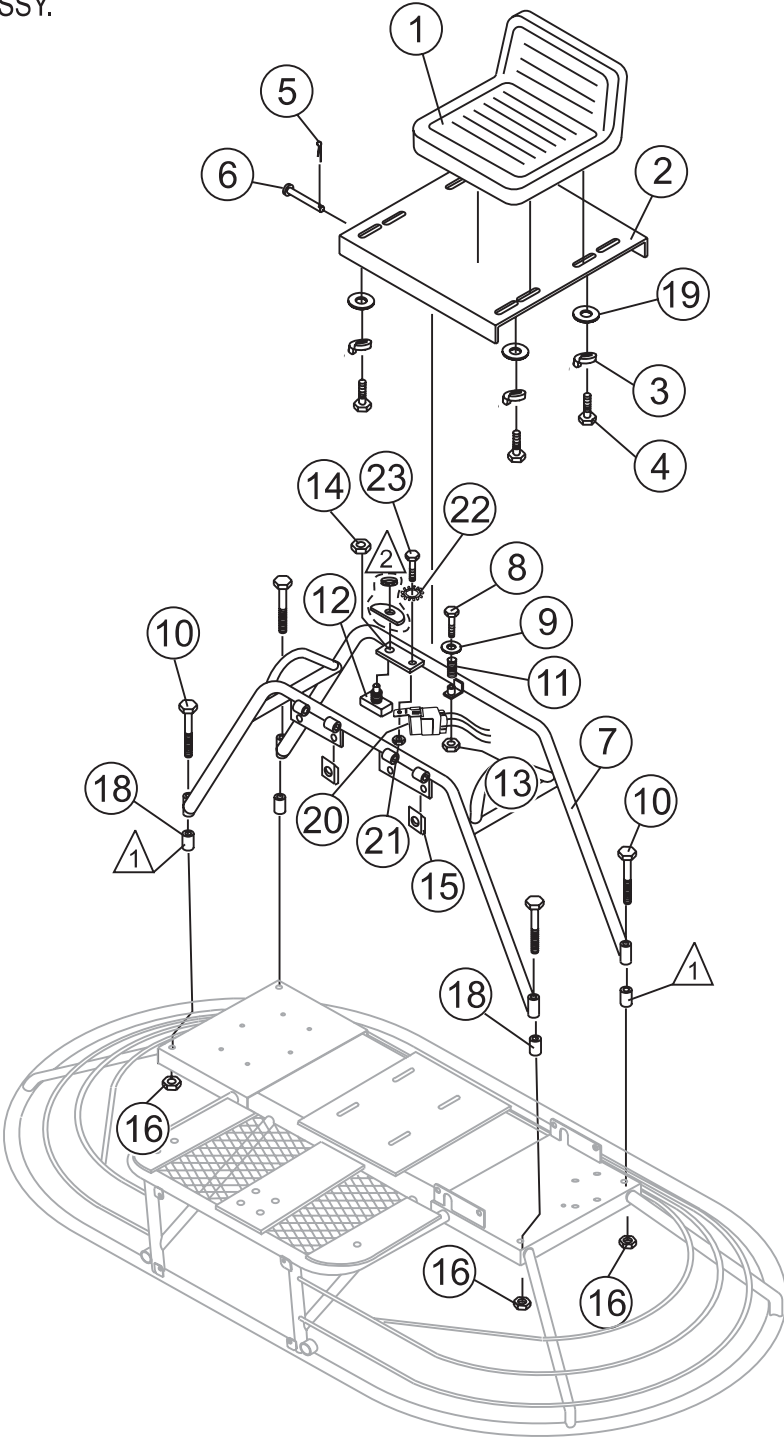
JTN RIDE-ON TROWEL— MAIN FRAME ASSY.

MAIN FRAME ASSY.

<u>NO.</u>	<u>PART NO.</u>	<u>PART NAME</u>	<u>QTY.</u>	<u>REMARKS</u>
21	11064	SPARE BELT A-36 (138 RPM)	2	VANGUARD, AND HONDA
21	2155	SPARE BELT A-37 (120 RPM)	2	VANGUARD ONLY
21	1619	SPARE BELT A-39 (100 RPM)	2	VANGUARD, AND HONDA
25	4514	HHCS 1/4- 20 X 5/8"	6	
26	0948	FLAT WASHER 1/4"	10	
27	2429	SPARE BELT CARRIER	1	
28	0181 B	LOCKWASHER 1/4"	4	
30	0131 A	HHCS 1/4- 20 X 3/4"	6	
33	11016	FUEL PICK UP TUBE	1	
34	10637	MAIN FRAME	1	S/N 46645 AND BELOW
34	11496	MAIN FRAME	1	S/N 46646 ABOVE
35	2712	FUEL CAP	1	
36	11003	FUEL TANK	1	
37	19088	FITTING (INCLUDES FERRUL & NUT)	1	
38	4014	U- DRIVE SCREW 2 X 3/16"	2	
40		SERIAL NUMBER PLATE	1	CONTACT MULTQUIP PARTS DEPT.
44	20943	FRONT PANEL	1	REPLACES P/N 2818

JTN RIDE-ON TROWEL— SEAT FRAME ASSY.

SEAT FRAME ASSY.



NOTES:

- 1
 SPACER P/N 2893, ITEM 18 IS USED ON KOHLER AND HONDA MODELS ONLY.
- 2
 INCLUDED WITH ITEM 12, KILL SWITCH P/N 12005. PANEL NUT P/N 2906 IS REMOVED THIS APPLIES TO UNITS WITH S/N 52146 AND BELOW.

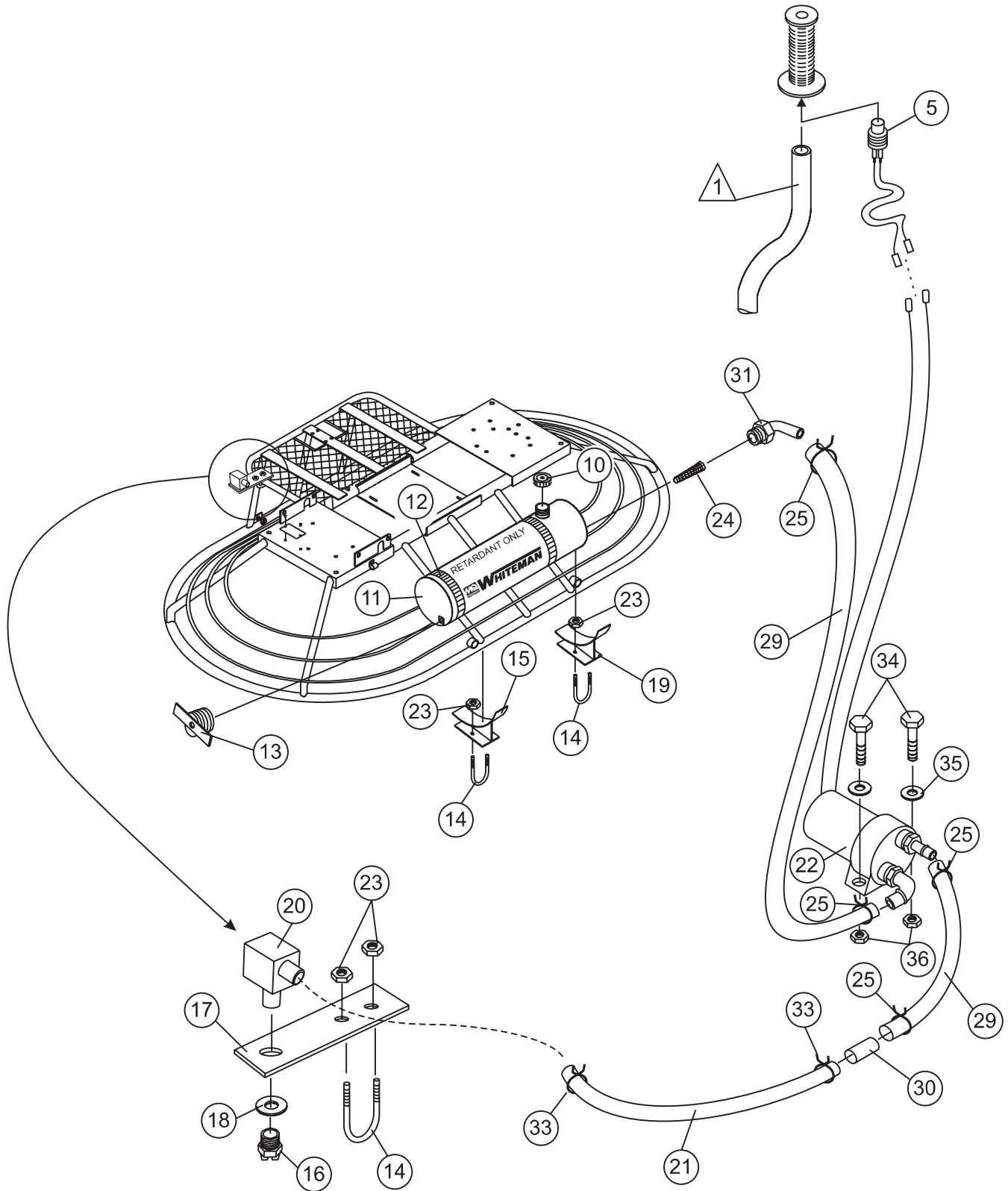
JTN RIDE-ON TROWEL— SEAT FRAME ASSY.

SEAT FRAME ASSY.

<u>NO.</u>	<u>PART NO.</u>	<u>PART NAME</u>	<u>QTY.</u>	<u>REMARKS</u>
1	2351	SEAT	1	
2	2424	SEAT MOUNTING PLATE	1	
3	0161 C	LOCK WASHER 5/16"	4	
4	1237	SHCS 5/16-18 X 7/8"	4	
5	0183	COTTER PIN	2	
6	8081	CLEVIS PIN	2	
7	2889	SEAT FRAME	1	
8	8156	HHCS 3/8- 16 X 2.1/2"	1	
9	4001	FLAT WASHER 3/8"	1	
10	2549	HHCS 1/2- 13 X 3"	4	VANGUARD
10	10306	HHCS 1/2- 13 X 4.1/2"	4	HONDA
11	2585	COIL SPRING	1	
12	2584	KILL SWITCH	1	S/N 52146 AND BELOW
12	12005	KILL SWITCH	1	S/N 52147 AND ABOVE
13	10133	LOCK NUT 3/8- 16	1	
14	2906	NUT, PANEL 3/8 X 32"	1	S/N 52146 AND BELOW
15	10284	CLIP- ON NUT 10-32	2	
16	10176	LOCK NUT 1/2-13	4	
18	2893	SPACER	4	HONDA
19	0300 B	WASHER, FLAT 5/16"	1	
20	12017	RELAY	1	S/N 52147 AND ABOVE
21	10019	NUT, NYLOC 10-32	1	
22	10237	WASHER, EXT. SHKP #10	1	
23	11644	SCREW, HHC 10-32 X 5/8"	1	

JTN RIDE-ON TROWEL— RETARDANT SPRAY TANK ASSY.

RETARDANT SPRAY TANK ASSY. S/N 30058 AND BELOW



1 SEE RIGHT-SIDE STEERING ASSEMBLY, ITEM 3.

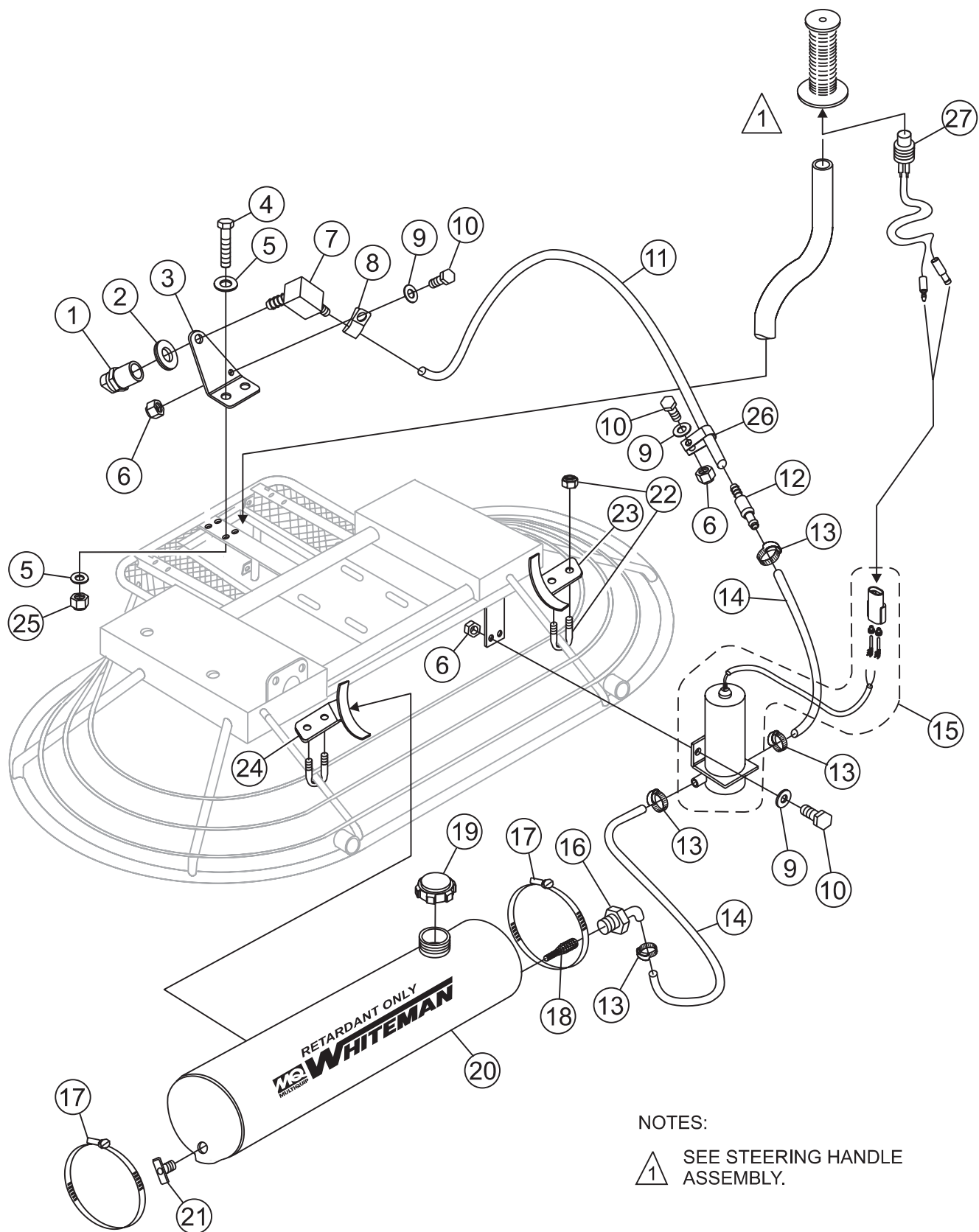
JTN RIDE-ON TROWEL— RETARDANT SPRAY TANK ASSY.

RETARDANT SPRAY TANK ASSY. S/N 30058 AND BELOW

<u>NO.</u>	<u>PART NO.</u>	<u>PART NAME</u>	<u>QTY.</u>	<u>REMARKS</u>
5	11430	SWITCH, RETARDANT SPRAY	1	REPLACES 2765
10	2108	TANK CAP	1	
11	2916	RETARDANT TANK	1	
12	2398	CLAMP	2	
13	2478	DRAIN COCK	1	
14	2399	U- BOLT	2	
15	2887	RIGHT MOUNTING BRACKET	1	
16	392292	SPRAY NOZZLE	1	
17	11222	MOUNTING BRACKET	1	
18	2898	RUBBER WASHER	1	
19	2886	LEFT MOUNTING BRACKET	1	
20	2912	90 DEGREE FITTING	1	
21	2914	HOSE	1	
22		PUMP ASSY.	1	MUST REPLACE WITH NEW STYLE PUMP P/N 12548
23	2656	LOCKNUT 5/16-24"	6	
24	2926	STRAINER	1	
25	2918	HOSE CLAMP	4	
29	2913	LOWER HOSE	1	
30	10022	REDUCER	1	
31	2925	90 DEGREE ELBOW	1	
33	2930	HOSE CLAMP	2	
34	0131A	HHCS 1/4- 20 X 3/4"	2	
35	0948	FLAT WASHER 1/4"	2	
36	10024	LOCK NUT 1/4-20"	2	
37	3233	WASHER, FENDER , 1.5 O.D. X 3/8" I.D.	2	
38	0300 B	WASHER, FLAT 5/16" SAE	4	
39	5283	NUT, NYLOC 5/16-18"	2	

JTN RIDE-ONTROWEL— RETARDANT SPRAY TANK ASSY.

RETARDANT SPRAY TANK ASSY. S/N 30059~



NOTES:

▲ SEE STEERING HANDLE ASSEMBLY.

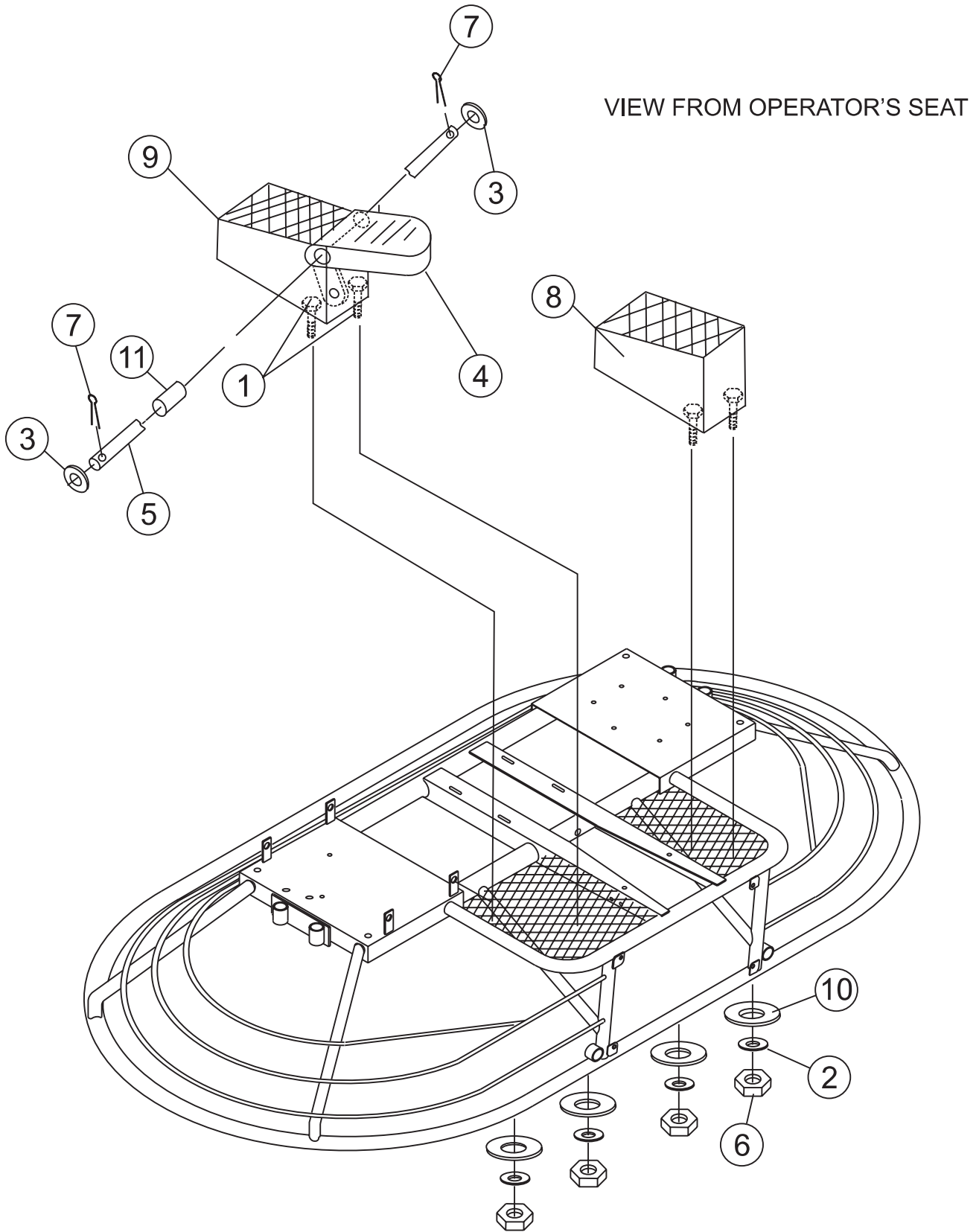
JTN RIDE-ON TROWEL— RETARDANT SPRAY TANK ASSY.

RETARDANT SPRAY TANK ASSY. S/N 30059~

<u>NO.</u>	<u>PART NO.</u>	<u>PART NAME</u>	<u>QTY.</u>	<u>REMARKS</u>
1	392292	NOZZLE, SPRAY	1	
2	2898	WASHER, BONDED NEOPRENE 1 X 1/2	1	
3	11222	MOUNT, SPRAY NOZZLE	1	
4	1023	SCREW, HHC 3/8-16 X 1 1/4	2	
5	10136	WASHER, FLAT 3/8 SAE	4	
6	10024	NUT, NYLOC 1/4-20	4	
7	2912	FITTING, 90 4BARB-1/4FP	1	
8	8128	CLAMP, HOSE SUPPORT 5/16	1	
9	0948	WASHER, FLAT 1/4 SAE	4	
10	0131A	SCREW, HHC 1/4-20 X 3/4	4	
11	2914	HOSE, 1/4 ID.....	1	SOLD IN FOOT LENGTHS
12	10022	FITTING, PLASTIC 6BARB-4BARB	1	
13	2918	CLAMP, HOSE .475 - .536 ID	4	
14	2913	HOSE, 3/8 ID.....	1	SOLD IN FOOT LENGTHS
15	12548	PUMP, SPRAY ASSY. SHURFLO 100-000-21	1	
16	2925	FITTING, PLASTIC 90 6BARB-3/8 MP	1	
17	2398	CLAMP, 6 1/2 HOSE SIZE 96	2	
18	2926	SCREEN, STRAINER	1	
19	2108	CAP, SPRAY TANK	1	
20	2916	TANK, WATER NPT BOSSES	1	
21	2478	DRAIN COCK	1	
22	2399	U-BOLT, 1 ID PLTD W/NUTS	2	
23	2887	MOUNT, TANK LEFT	1	
24	2886	MOUNT, TANK RIGHT	1	
25	10133	NUT, NYLOC 3/8-16	4	
26	8125	CLAMP, HOSE SUPPORT 5/8	1	
27	11430	SWITCH ASSY. , SPRAY	1	

JTN RIDE-ON TROWEL— FOOT PEDAL ASSY.

FOOT PEDALS ASSY.



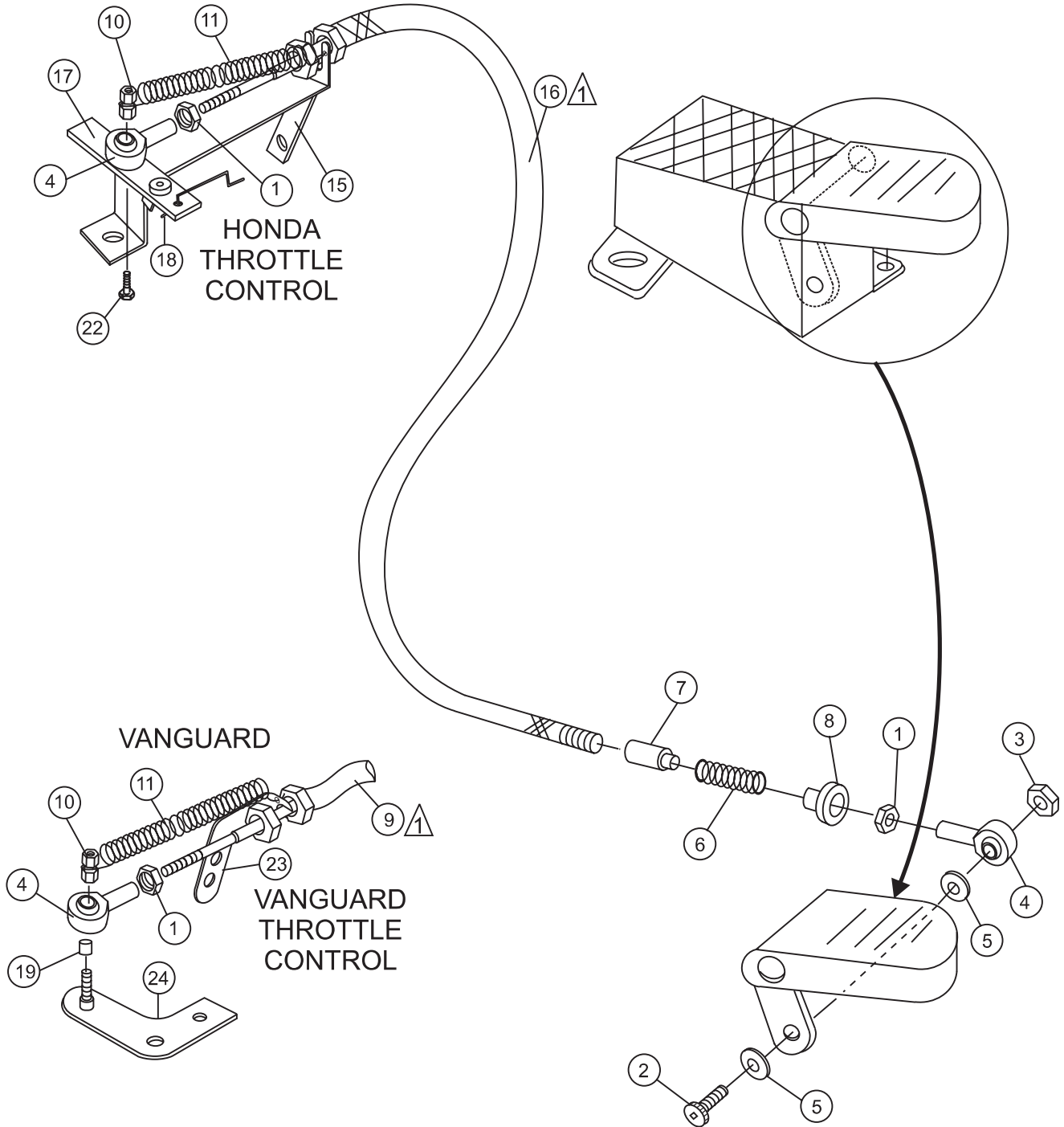
JTN RIDE-ON TROWEL— FOOT PEDAL ASSY.

FOOT PEDALS ASSY.

<u>NO</u>	<u>PART NO</u>	<u>PART NAME</u>	<u>QTY.</u>	<u>REMARKS</u>
1	0202	SCREW, HHC 5/16-18 X 1	4	
2	0300 B	WASHER, FLAT, 5/16" SAE	4	
3	10136	WASHER, FLAT, 3/8" SAE	2	
4	2086	PEDAL, ACCELERATOR	1	
5	2772	PIN, ACC MOUNT	1	
6	5283	NUT, NYLOC 5/16-18"	4	
7	0164 B	PIN, COTTER 3/32 X 1"	2	
8	2773	LEFT SIDE FOOT REST	1	
9	2774	RIGHT SIDE FOOT REST	1	
10	3233	WASHER, FENDER, 1.50.D. X 3/8" I.D.	4	
11	3083	SPACER	1	

JTN RIDE-ON TROWEL—THROTTLE/FOOT PEDAL ASSY.

THROTTLE FOOT PEDAL ASSY.



NOTES:

- ⚠ SEE VANGUARD OR HONDA ENGINE AND CLUTCH ASSY., ITEM 4.

JTN RIDE-ON TROWEL—THROTTLE/FOOT PEDAL ASSY.

THROTTLE FOOT PEDAL ASSY.

<u>NO</u>	<u>PART NO</u>	<u>PART NAME</u>	<u>QTY.</u>	<u>REMARKS</u>
1	0937	NUT, HEX 10-32	2	VANGUARD AND HONDA
2	10018	SCREW, SHC 10-32X1 NO PLATE	1	VANGUARD AND HONDA
3	10019	NUT, NYLOC 10-32	1	VANGUARD AND HONDA
4	2153	ROD END, 10-32 FEMALE RH	2	VANGUARD AND HONDA
5	2203	WASHER, FLAT, #10	2	VANGUARD AND HONDA
6	2753	SPRING, THROTTLE RETURN, LOWER	1	VANGUARD AND HONDA
7	2754	ADAPTOR, THROTTLE RET. SPRING LG.	1	VANGUARD AND HONDA
8	2755	ADAPTOR, THROTTLE RET. SPRING SHORT	1	VANGUARD AND HONDA
9	2124	ENGINE THROTTLE CABLE	1	VANGUARD ONLY
10	2194	THROTTLE NUT	1	VANGUARD AND HONDA
11	2192	THROTTLE SPRING	1	VANGUARD AND HONDA
15	10964	THROTTLE CABLE MTNG. BRACKET	1	HONDA ONLY
16	10568	ENGINE THROTTLE CABLE	1	HONDA ONLY
17	10954	THROTTLE LEVER	1	HONDA ONLY
18	10955	THROTTLE WIRE	1	HONDA ONLY
19	2190	SPACER	1	VANGUARD
22	10018	SHCS 10-32X1"	1	HONDA
23	2162	THROTTLE CABLE MTNG. BRACKET	1	VANGUARD ONLY
24	691028	THROTTLE CONTROL ASSY.	1	VANGUARD ONLY

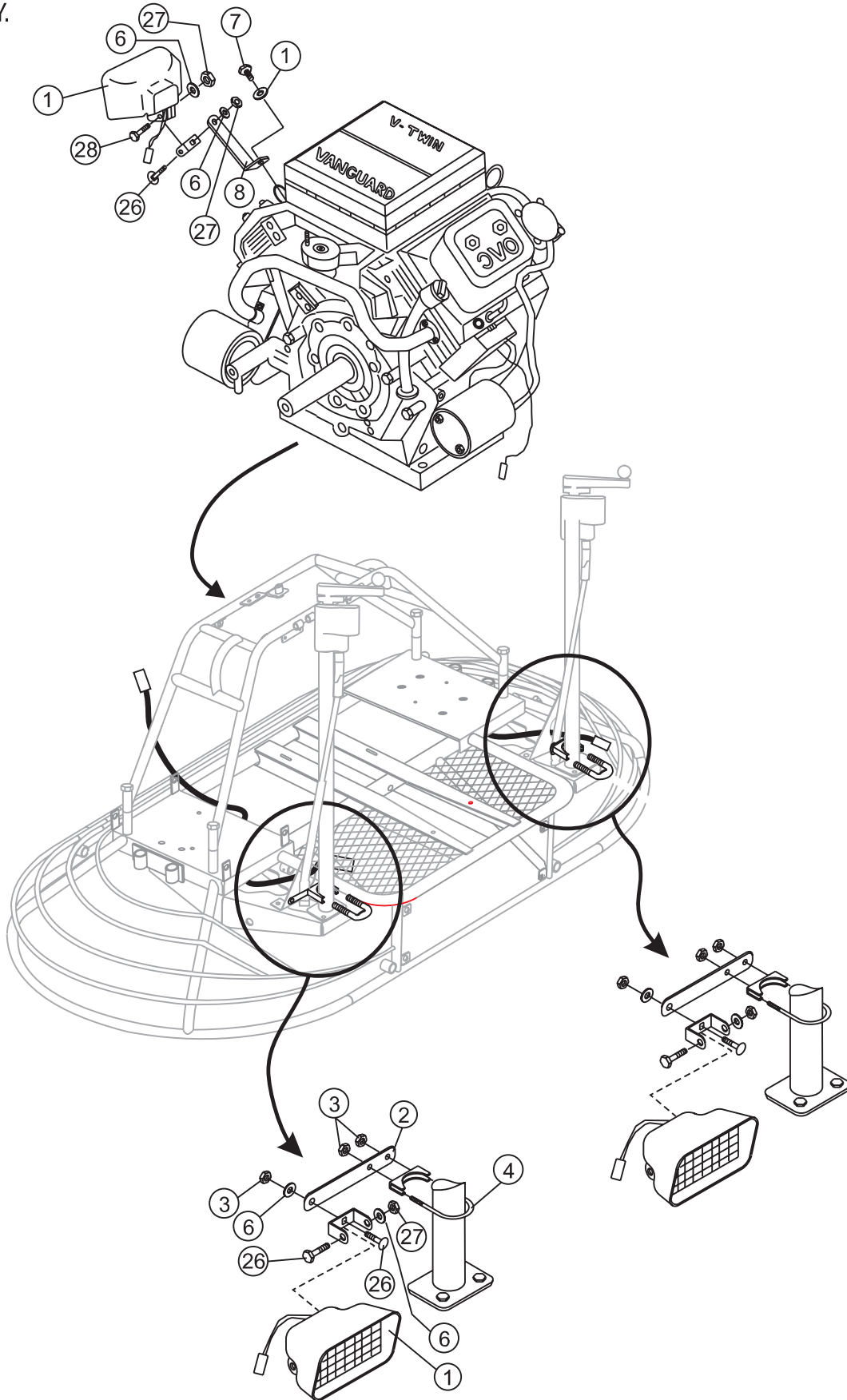
JTN RIDE-ON TROWEL— BATTERY ASSY.

BATTERY ASSY.

<u>NO.</u>	<u>PART NO.</u>	<u>PART NAME</u>	<u>QTY.</u>	<u>REMARKS</u>
1	11105	BATTERY STRAP	1	WITH BATTERY BOX
2	2449	BATTERY BOX	1	
3	1597	NEGATIVE BATTERY CABLE	1	BLACK
4	2484	FRONT BATTERY BRACKET	1	WITH BATTERY BOX
5	2483	REAR BATTERY BRACKET	1	WITH BATTERY BOX
6	2509	WING NUT 1/4- 20	2	
7	10031	EXT. SHKP WASHER 1/4"	2	
8		BATTERY 12V (SHIPPED DRY)	1	GROUP U- 1 PURCHASE FROM LOCAL INTERSTATE DEALER
9	2542	POSITIVE BATTERY CABLE	1	RED
10	0655	HHCS 5/16-18 X 3/4"	4	
11	0300 B	FLAT WASHER 5/16"	4	
31	0949	HEX NUT 1/4-20	2	
32	0181 B	WASHER, LOCK	2	

JTN RIDE-ON TROWEL— LIGHTS ASSY.

LIGHTS ASSY.



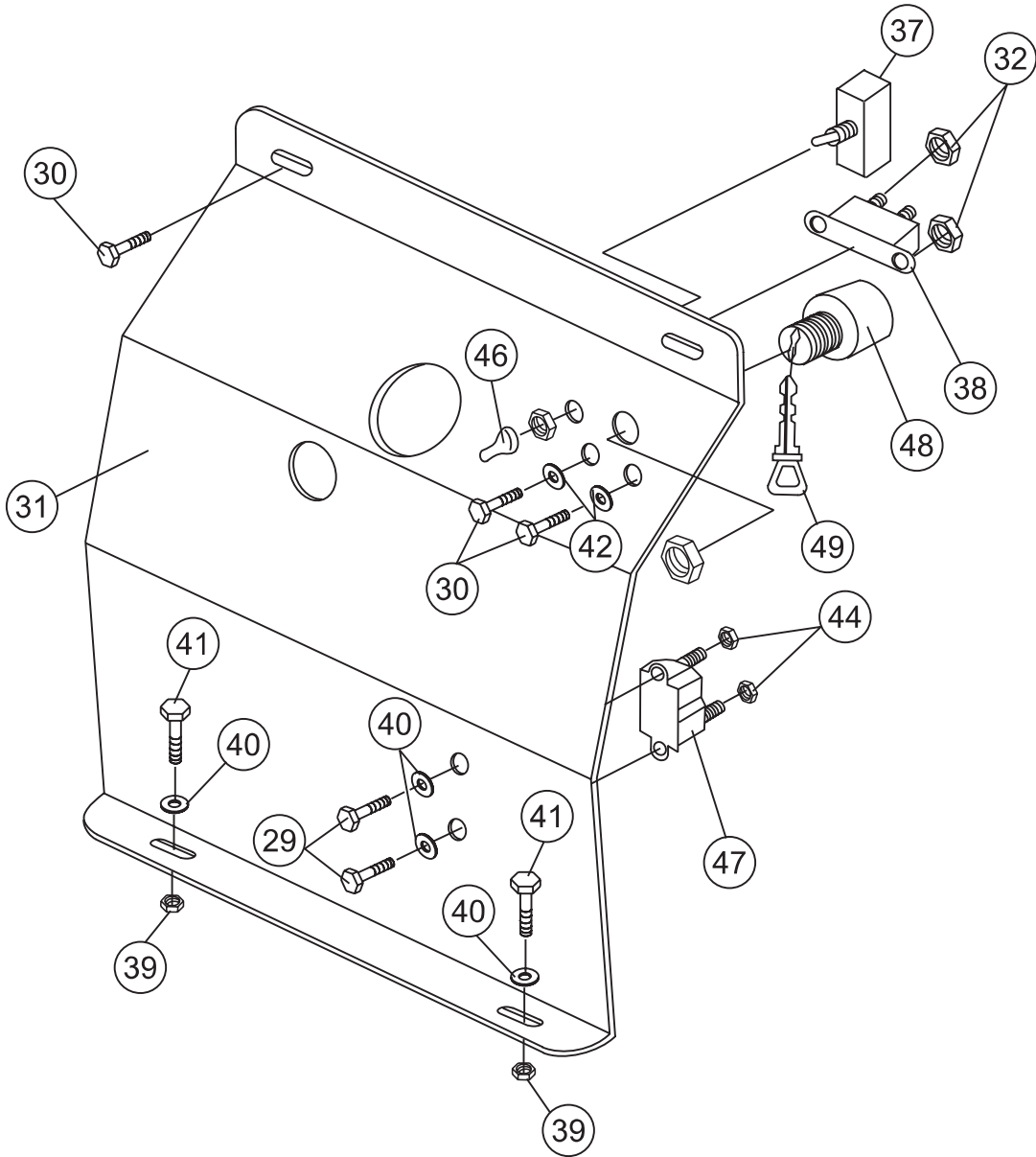
JTN RIDE-ON TROWEL— LIGHTS ASSY.

LIGHTS ASSY.

<u>NO.</u>	<u>PART NO.</u>	<u>PART NAME</u>	<u>QTY.</u>	<u>REMARKS</u>
1	2896	LIGHT & MOUNTING HARDWARE	3	
2	2531	FRONT MOUNTING BRACKET	2	
3	5283	LOCK NUT 5/16- 18	8	
4	2534	CLAMP ASSY.	2	
6	0161 C	LOCK WASHER 5/16"	7	VANGUARD
7	2299	HHCSM 8- 1.25 X 15MM	1	VANGUARD
8	2430	REAR MOUNTING BRACKET	1	
26	0655	HHCS 5/16- 18 X 3/4"	3	
27	0161 D	HEX NUT5/16- 18	6	
28	0300 A	HHCS 5/16- 18 X 2"	3	

JTN RIDE-ON TROWEL— FRONT PANEL ASSY. (VANGUARD)

FRONT PANEL ASSY. (VANGUARD)



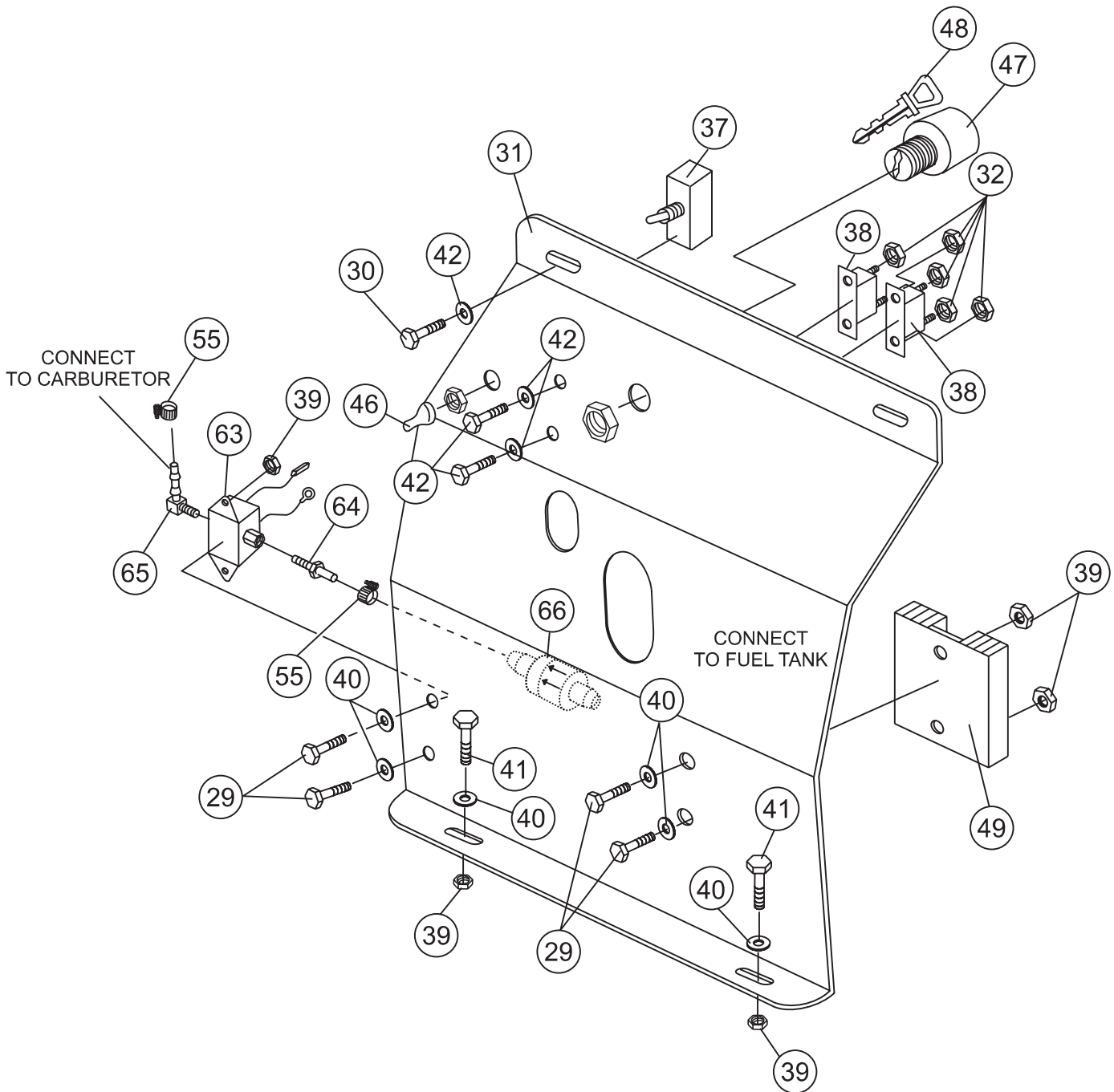
JTN RIDE-ON TROWEL— FRONT PANEL ASSY. (VANGUARD)

FRONT PANEL ASSY. (VANGUARD)

<u>NO.</u>	<u>PART NO.</u>	<u>PART NAME</u>	<u>QTY.</u>	<u>REMARKS</u>
29	0131 A	HHCS 1/4- 20 X 3/4"	2	
30	5065 B	RHMS 10- 32 X 1/2"	4	
31	11957	CONTROL PANEL	1	REPLACES P/N 2890
32	10019	LOCK NUT 10- 32	4	
37	4682	TOGGLE SWITCH	1	OPTIONAL
38	2673	CIRCUIT BREAKER	1	
39	10024	LOCK NUT 1/4- 20	4	
40	0948	FLAT WASHER 1/4"	4	
41	4514	HHCS 1/4- 20 X 5/8"	2	
42	2203	FLAT WASHER #10	2	
44	0949	HEX NUT 1/4"	2	
46	8381	TOGGLE BOOT	1	
47	807829	VOLTAGE REGULATOR	1	
48	10958	IGNITION SWITCH	1	
49	11078	IGNITION KEY	1	

JTN RIDE-ON TROWEL— FRONT PANEL ASSY. (HONDA)

FRONT PANEL ASSY. (HONDA)



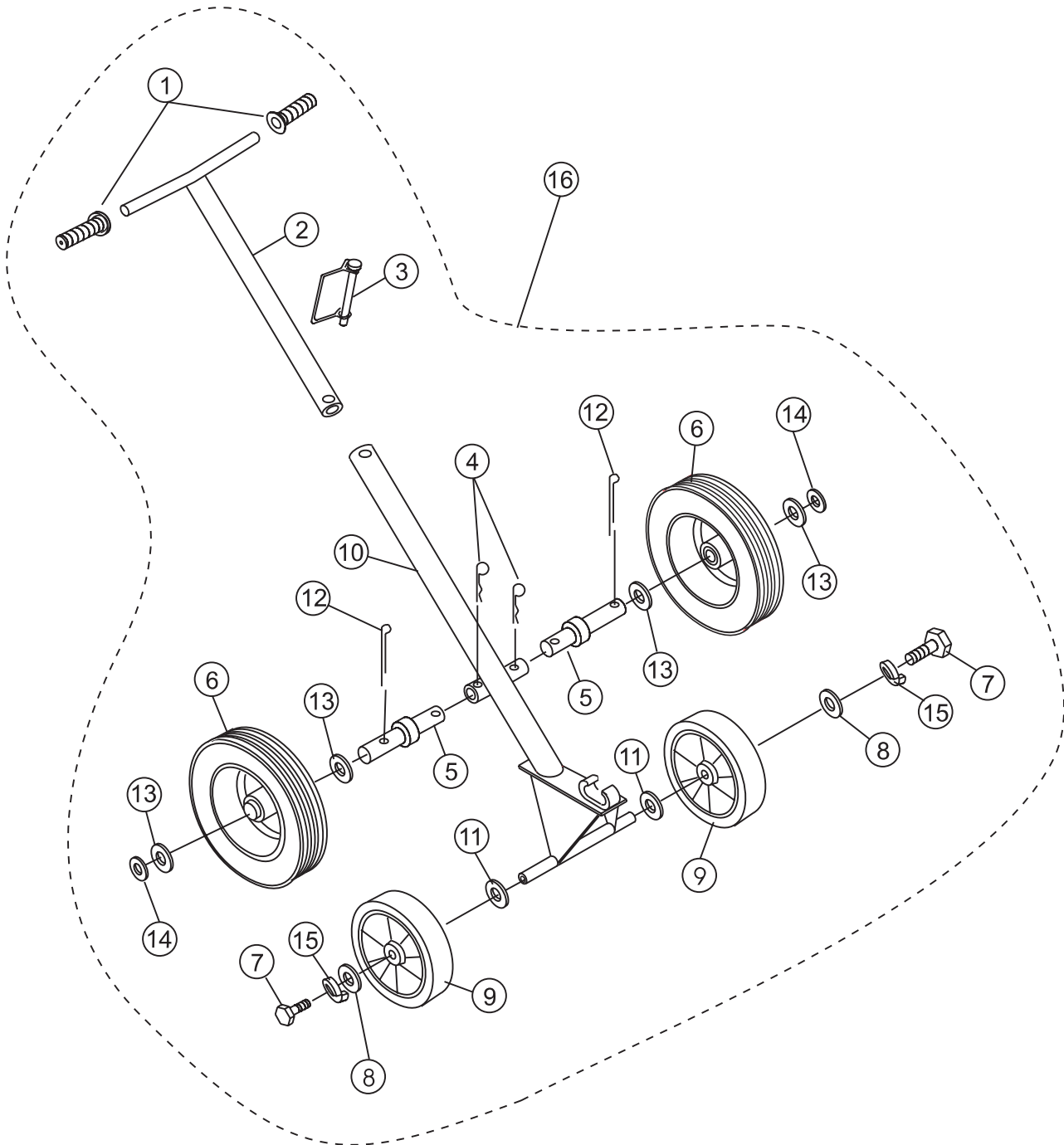
JTN RIDE-ON TROWEL— FRONT PANEL ASSY. (HONDA)

FRONT PANEL ASSY. (HONDA)

<u>NO.</u>	<u>PART NO.</u>	<u>PART NAME</u>	<u>QTY.</u>	<u>REMARKS</u>
29	0730	HHCS 1/4-20 X1"	2	
30	5065 B	RHMS10-32 X 1/2"	6	
31	20339	CONTROL PANEL	1	REPLACES P/N10927
32	10019	LOCK NUT 10- 32	8	
37	4682	LIGHT SWITCH	1	OPTIONAL
38	2673	CIRCUIT BREAKER	2	
39	10024	LOCK NUT 1/4- 20	10	
40	0948	FLAT WASHER 1/4"	8	
41	4514	HHCS 1/4- 20 X 5/8"	2	
42	2203	FLAT WASHER #10	8	
46	8381	TOGGLE BOOT	1	
47	10958	IGNITION SWITCH	1	
48	11078	IGNITION KEY	1	
49	31620Z65003	RECTIFER	1	
55	19473	HOSE CLAMP	4	
63	11099	FUEL PUMP	1	
64	11100	STRAIGHT FITTING	1	
65	11101	90 DEGREE FITTING	1	
66	2346	FUEL FILTER	1	

JTN RIDE-ON TROWEL— E-Z MOVER & LIFT HANDLE ASSY.

E-Z MOVER (EMR2) AND LIFT HANDLE



JTN RIDE-ON TROWEL— E-Z MOVER & LIFT HANDLE ASSY.

E-Z MOVER (EMR2) AND LIFT HANDLE

<u>NO</u>	<u>PART NO</u>	<u>PART NAME</u>	<u>QTY.</u>	<u>REMARKS</u>
1	0189	HAND GRIP	2	
2	2336	UPPER HANDLE	1	
3	1869	SNAP PIN	1	
4	7170	CLIP	2	
5	11684	DOLLY AXLE	2	
6	10440	WHEEL & TIRE	2	
7	0655	SCREW, HHCS 5/16-18 x 3/4"	2	
8	0300 B	FLAT WASHER 5/16"	2	
9	2364	WHEEL	2	
10	10445	FRAME	1	
11	4684	FLAT WASHER 5/8"	2	
12	0183	COTTER PIN	4	
13	10446	FLAT WASHER 3/4"	8	
14	8151	FLAT WASHER 3/4" SAE	8	
15	0161 C	LOCK WASHER 5/16"	2	
16	EMR-1	EZ-MOVER ASSEMBLY	1	CONTACT UNIT SALES DEPT.