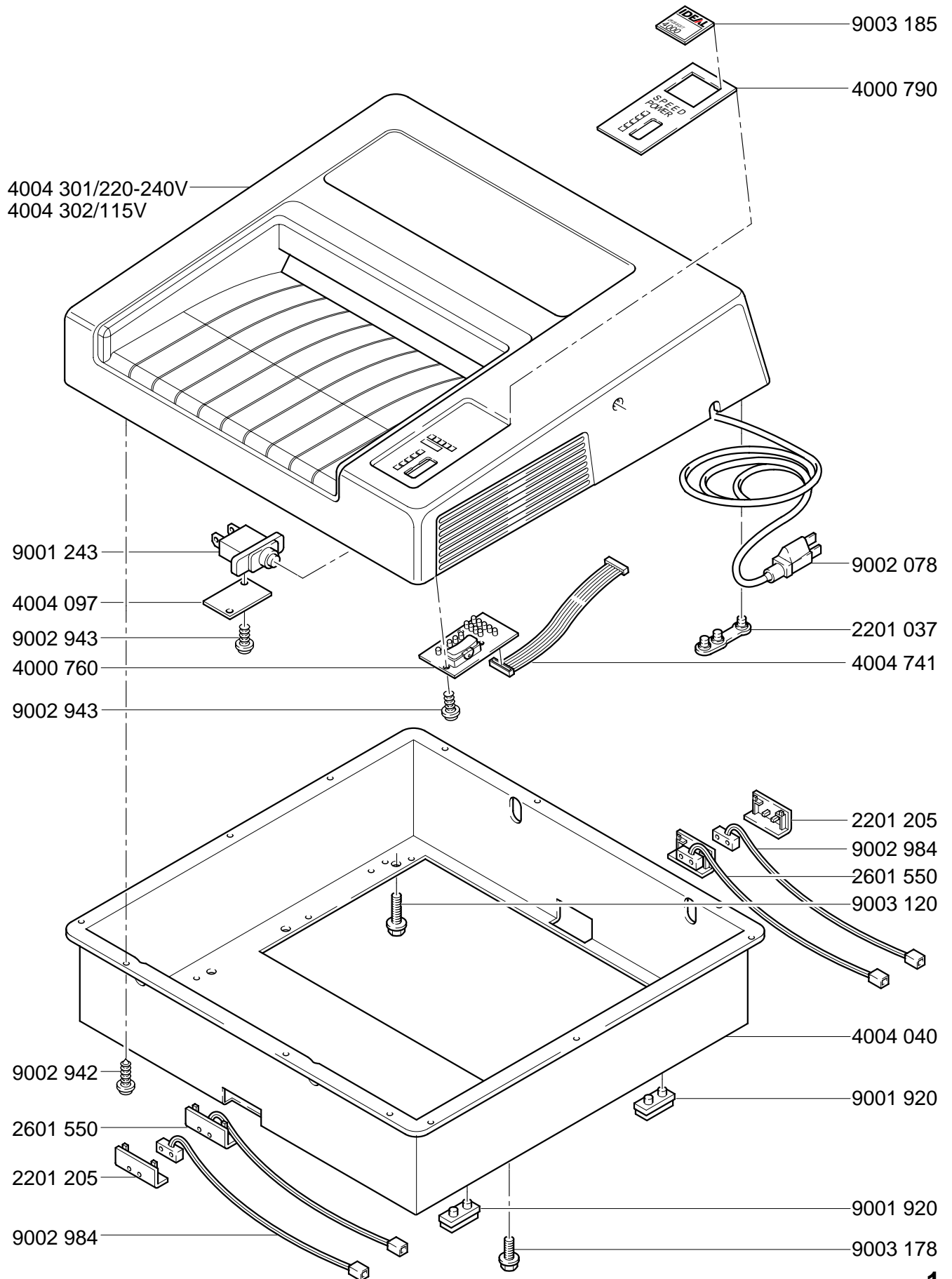
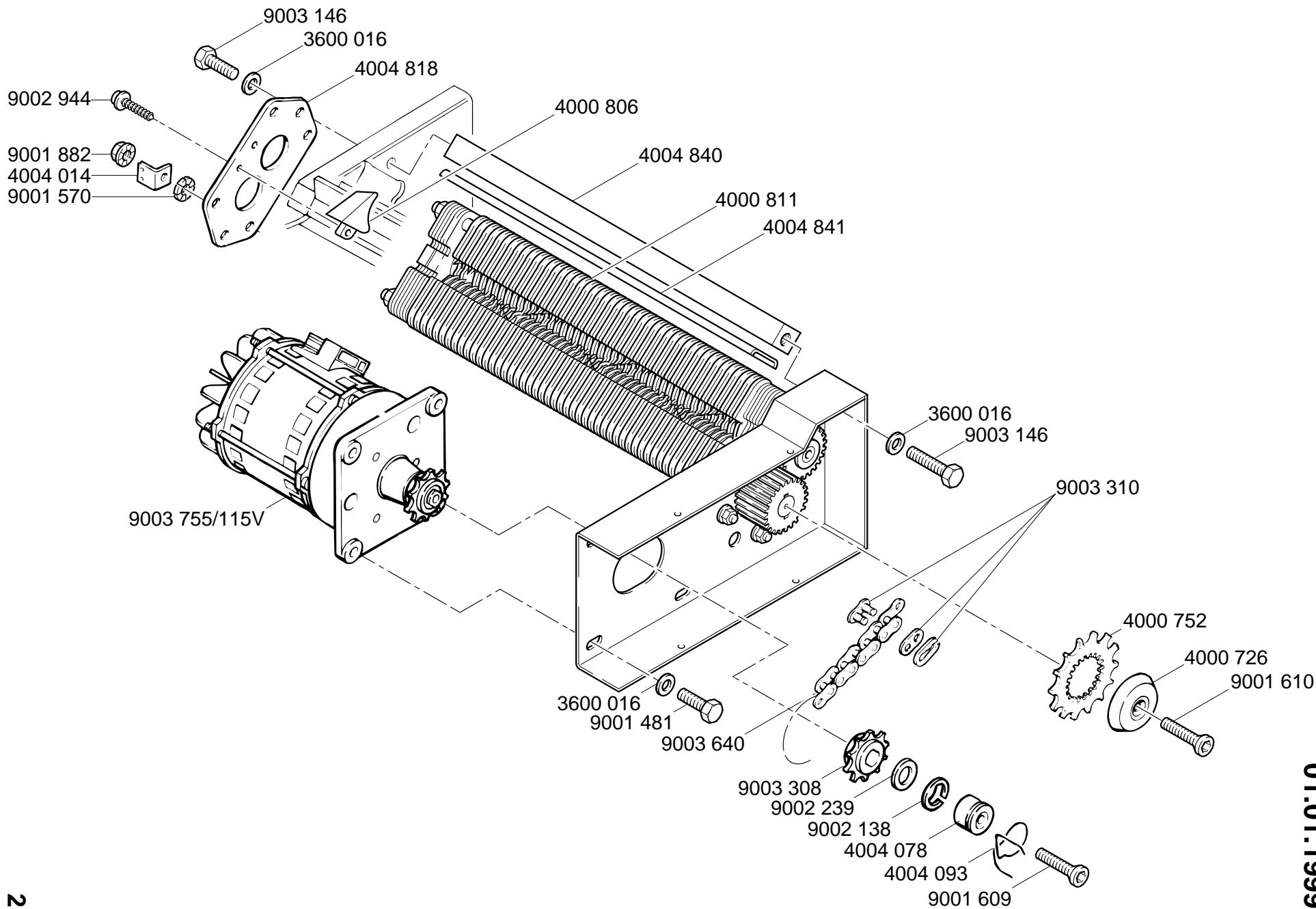
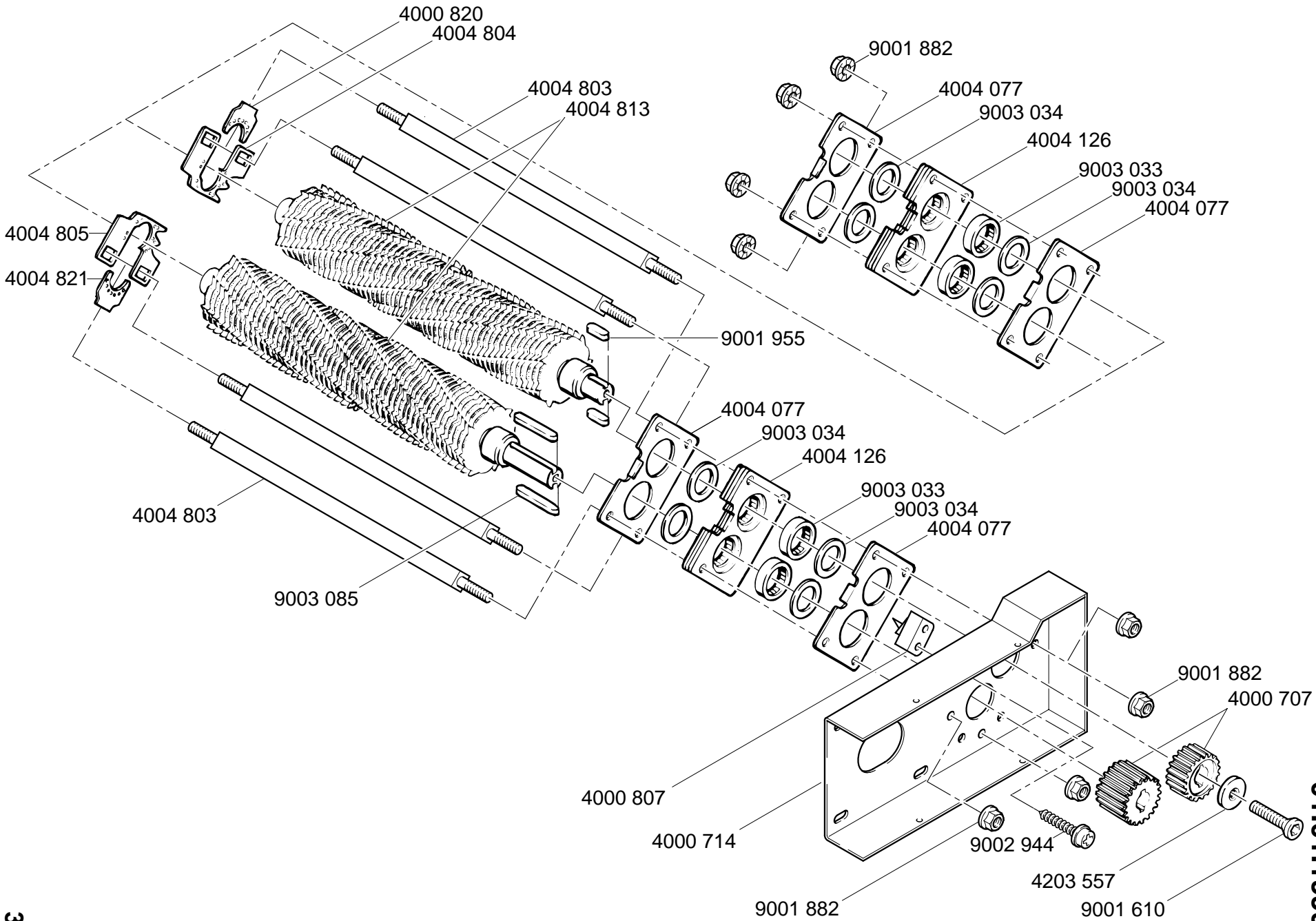


CROSS / CUT 0,8x12mm
Mod.4000 E
 01.01.1999





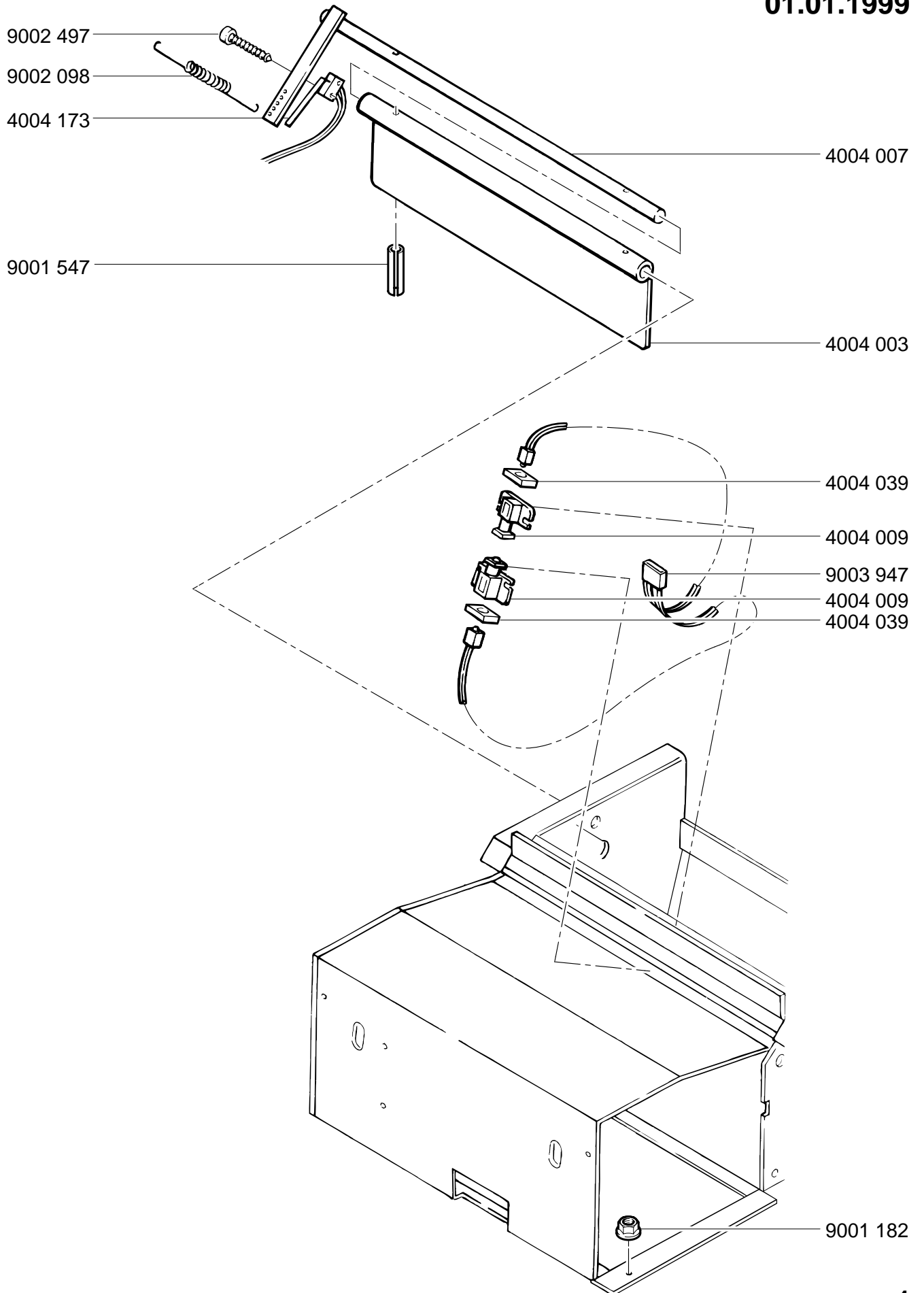
CROSS / CUT 0,8x12mm
Mod. 4000 E
 01.01.1999



CROSS / CUT 0,8x12mm
Mod. 4000 E
 01.01.1999

Mod.4000 E

01.01.1999

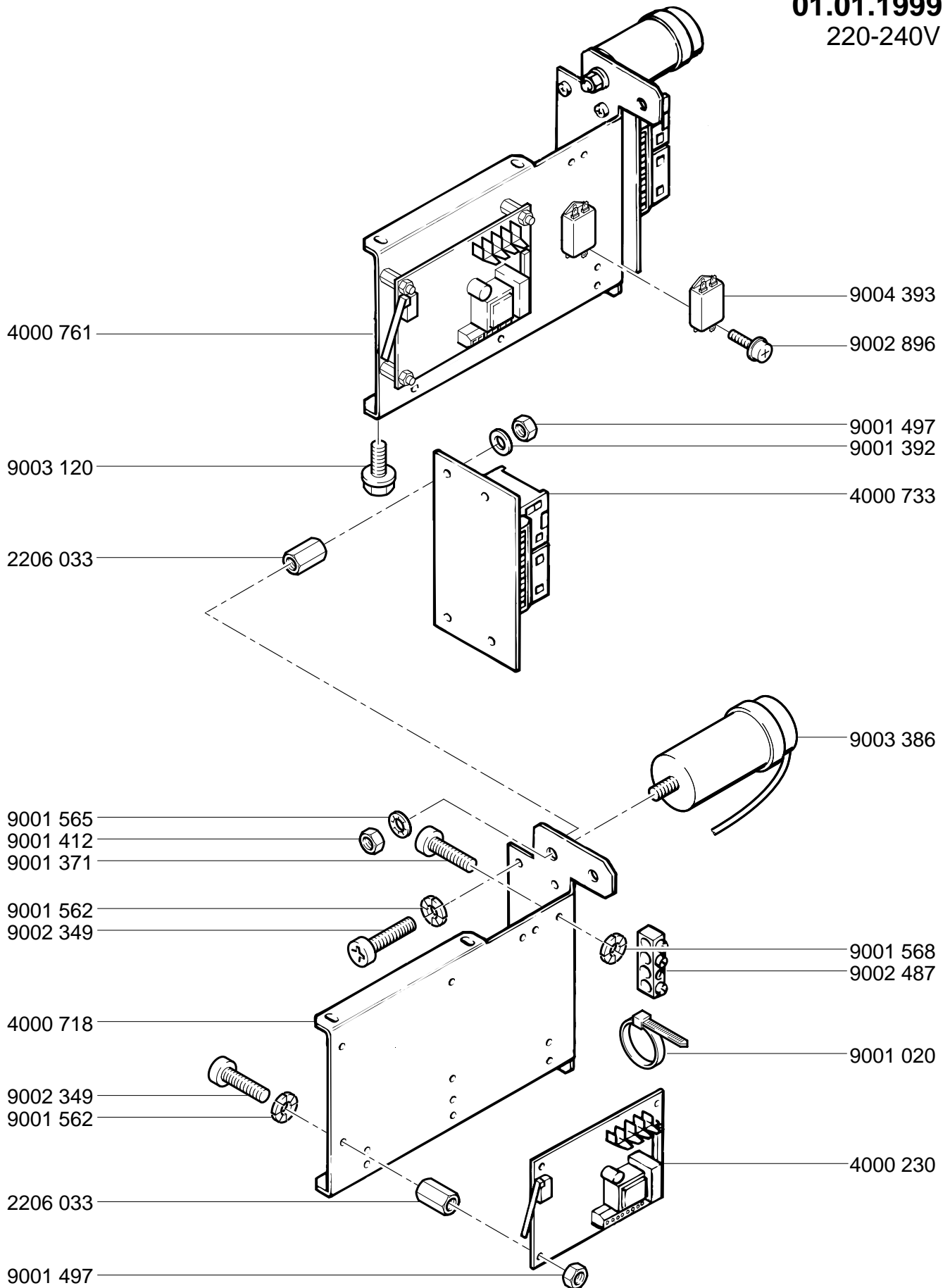


CROSS / CUT 0,8x12mm

Mod.4000 E

01.01.1999

220-240V

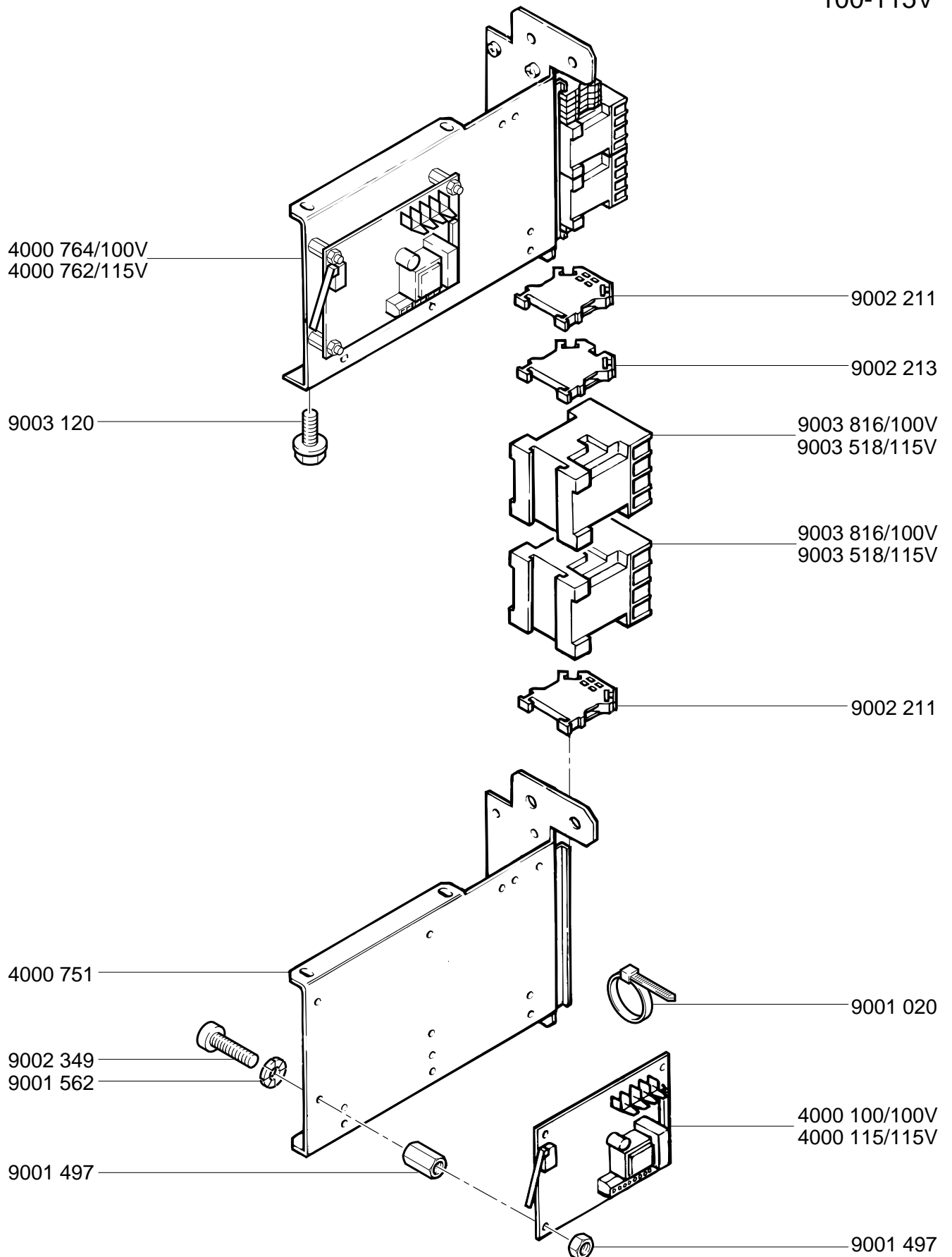


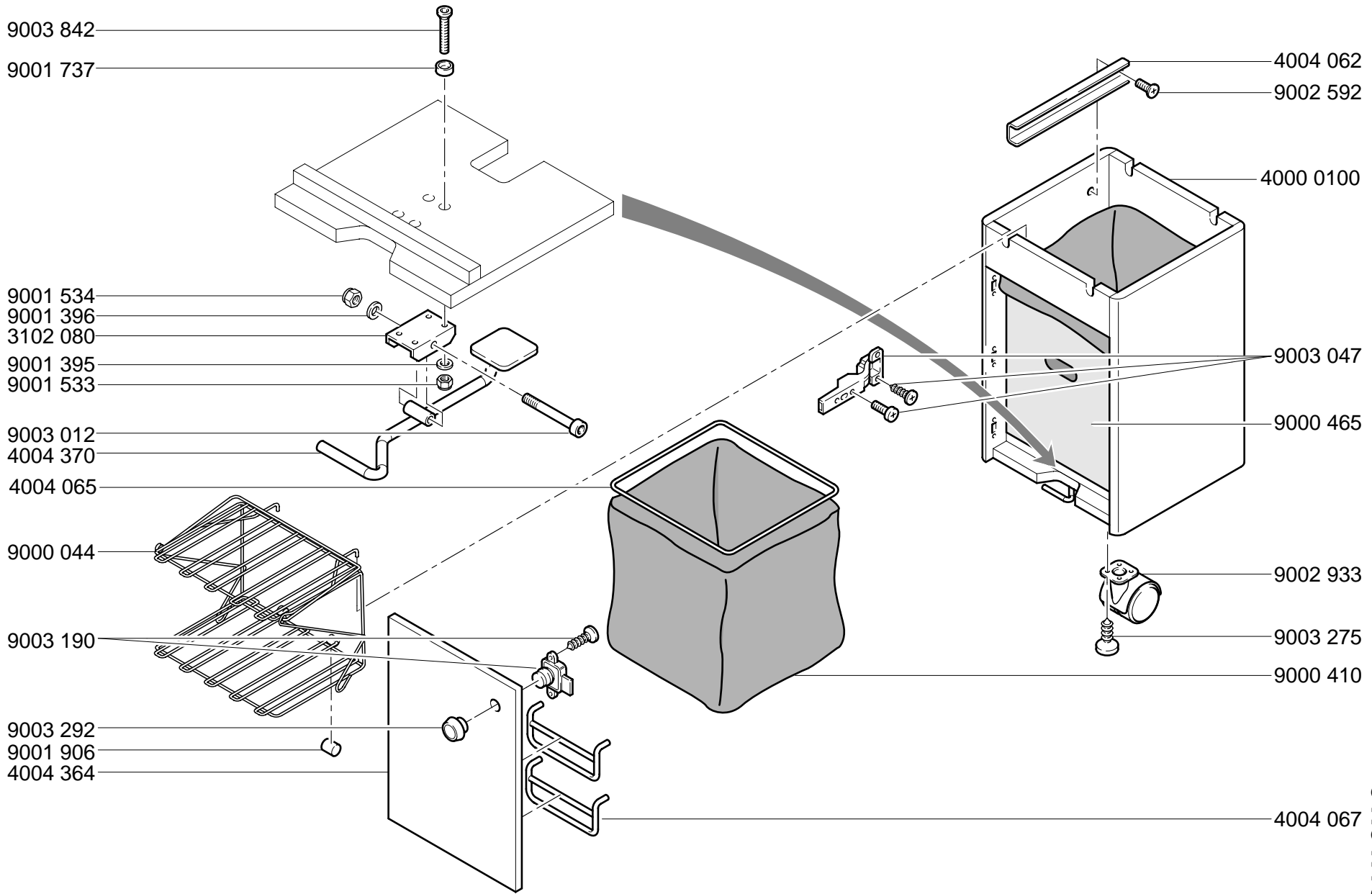
CROSS / CUT 0,8x12mm

Mod.4000 E

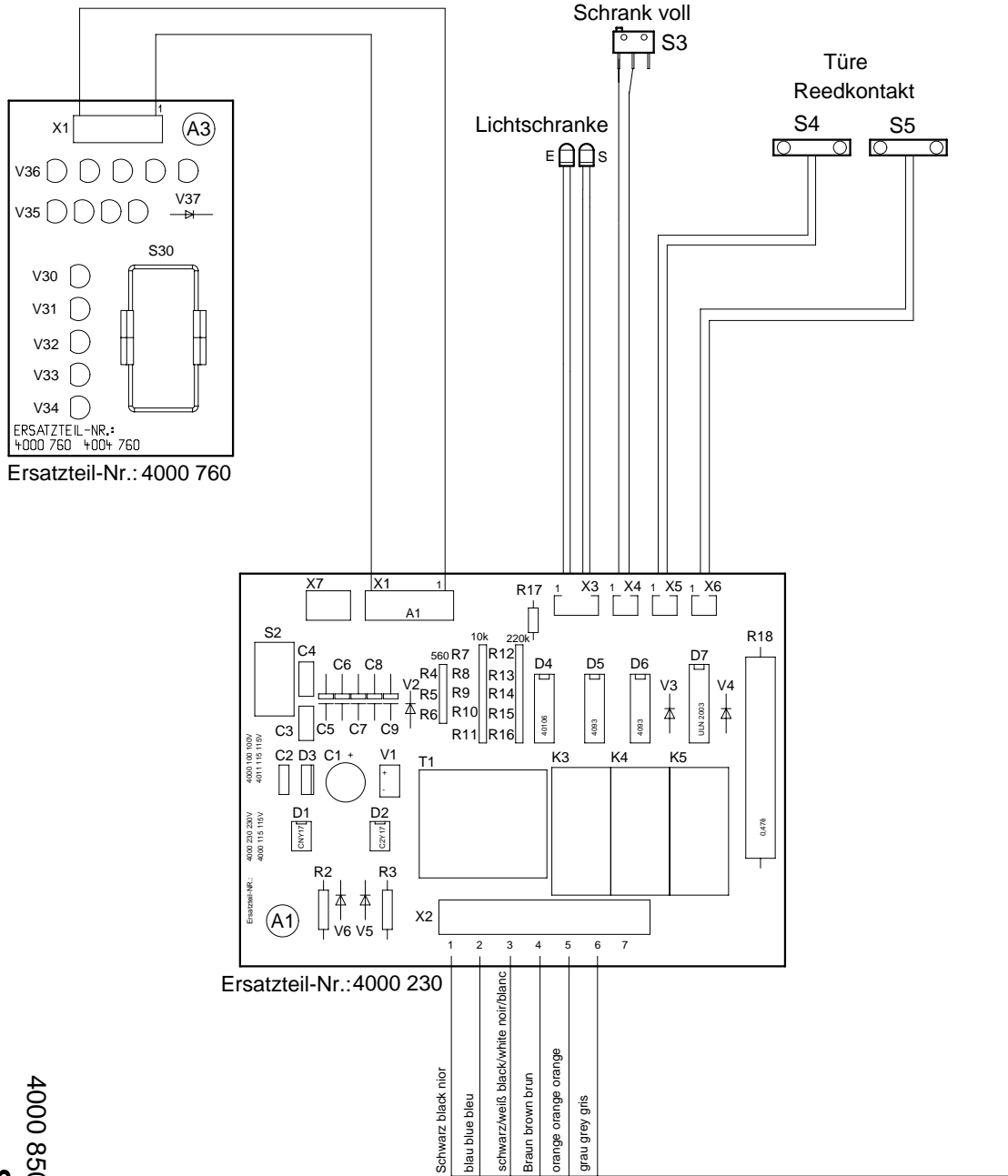
01.01.1999

100-115V

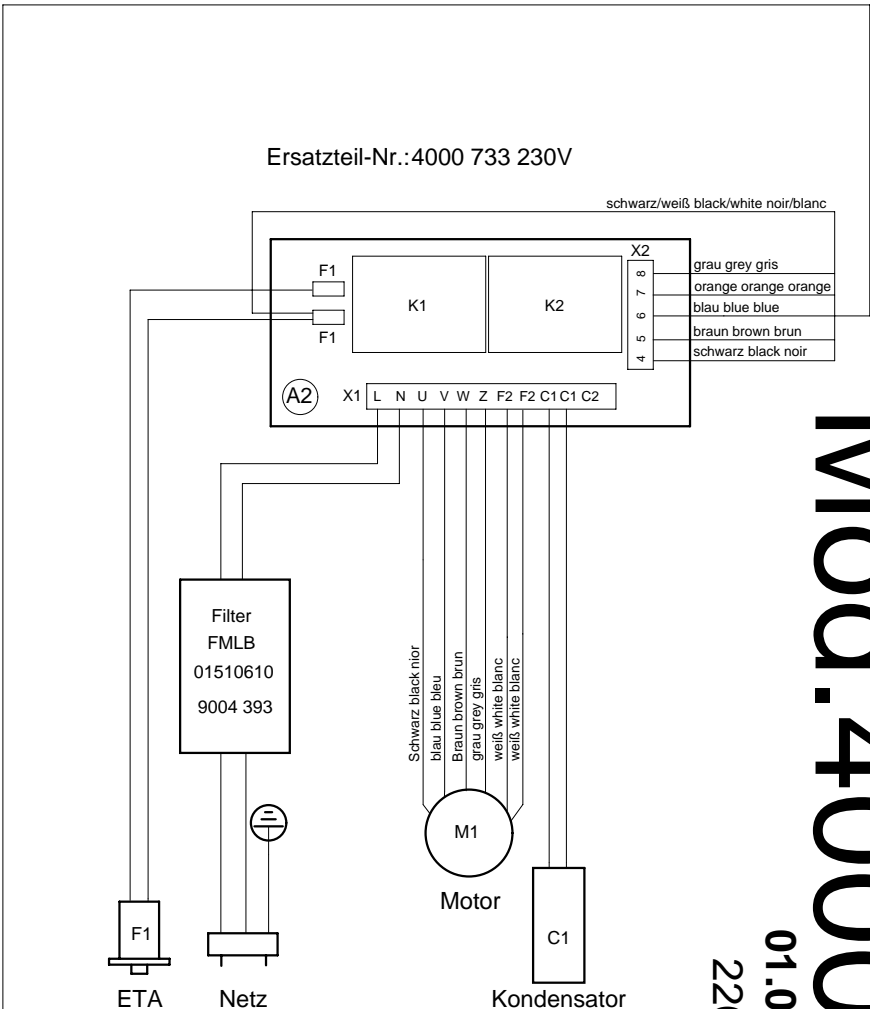




CROSS / CUT
0,8x12mm
Mod. 4000 E
 01.01.1999



Anschlußplan 4000 E CROSS/CUT
Diagramme de branchement 4000 E CROSS/CUT
Conecting diagram 4000 E CROSS/CUT

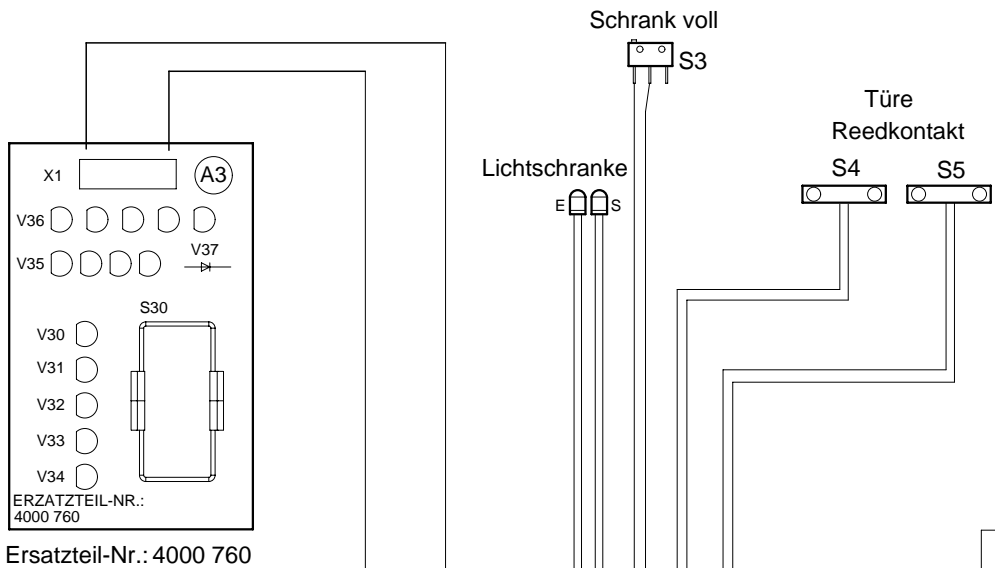


Mod. 4000 E

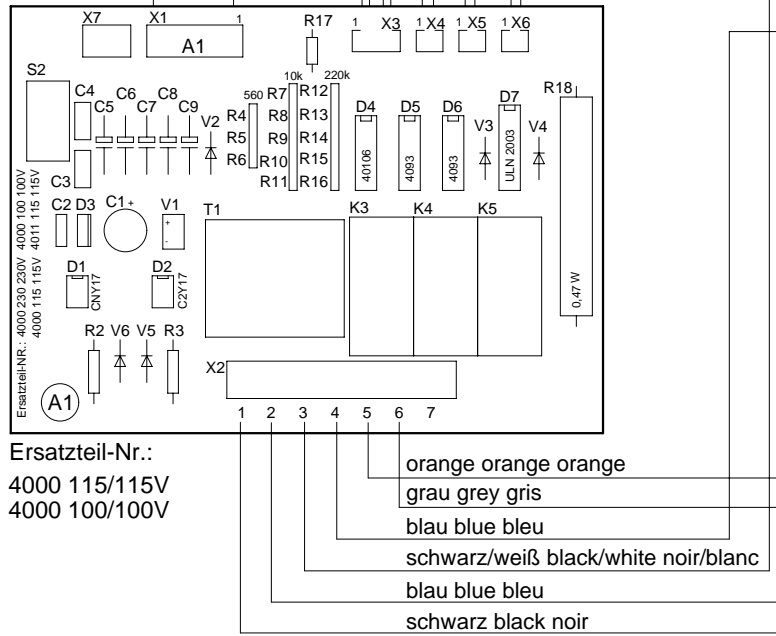
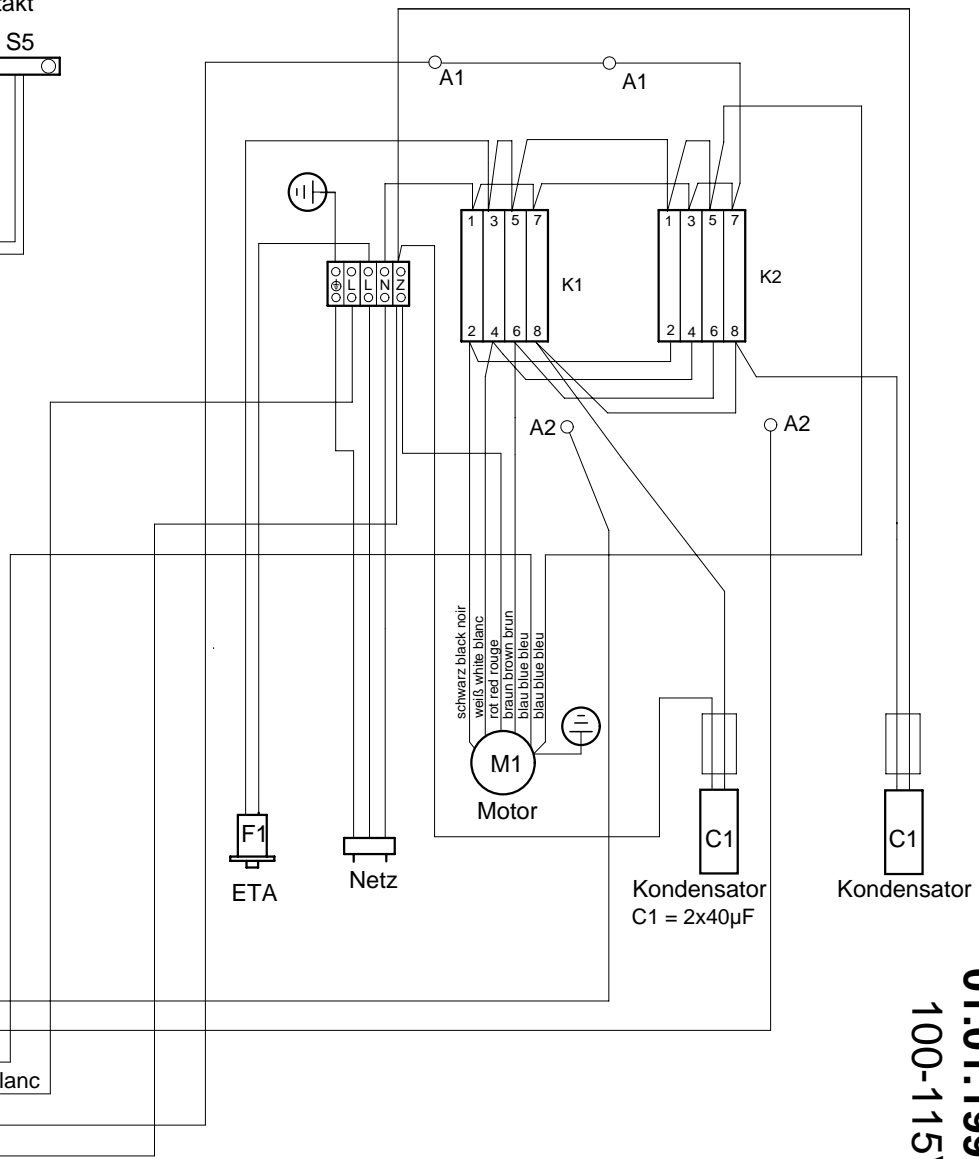
CROSS / CUT 0,8x12mm

01.01.1999

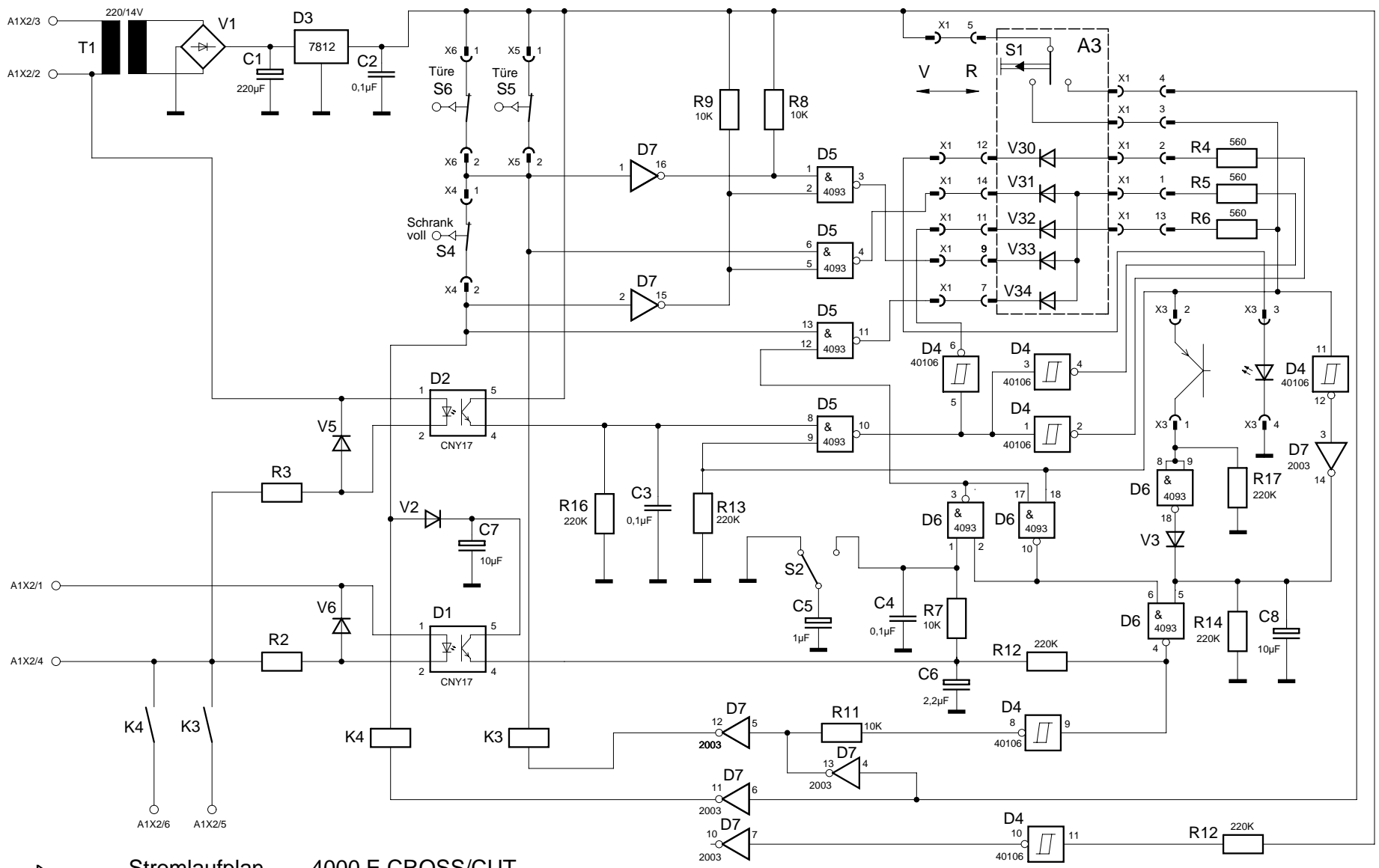
220-240V



Anschlußplan 4000 E CROSS/CUT
 Diagramme de branchement 4000 E CROSS/CUT
 Conecting diagram 4000 E CROSS/CUT



CROSS / CUT 0,8x12mm
Mod. 4000 E
 01.01.1999
 100-115V

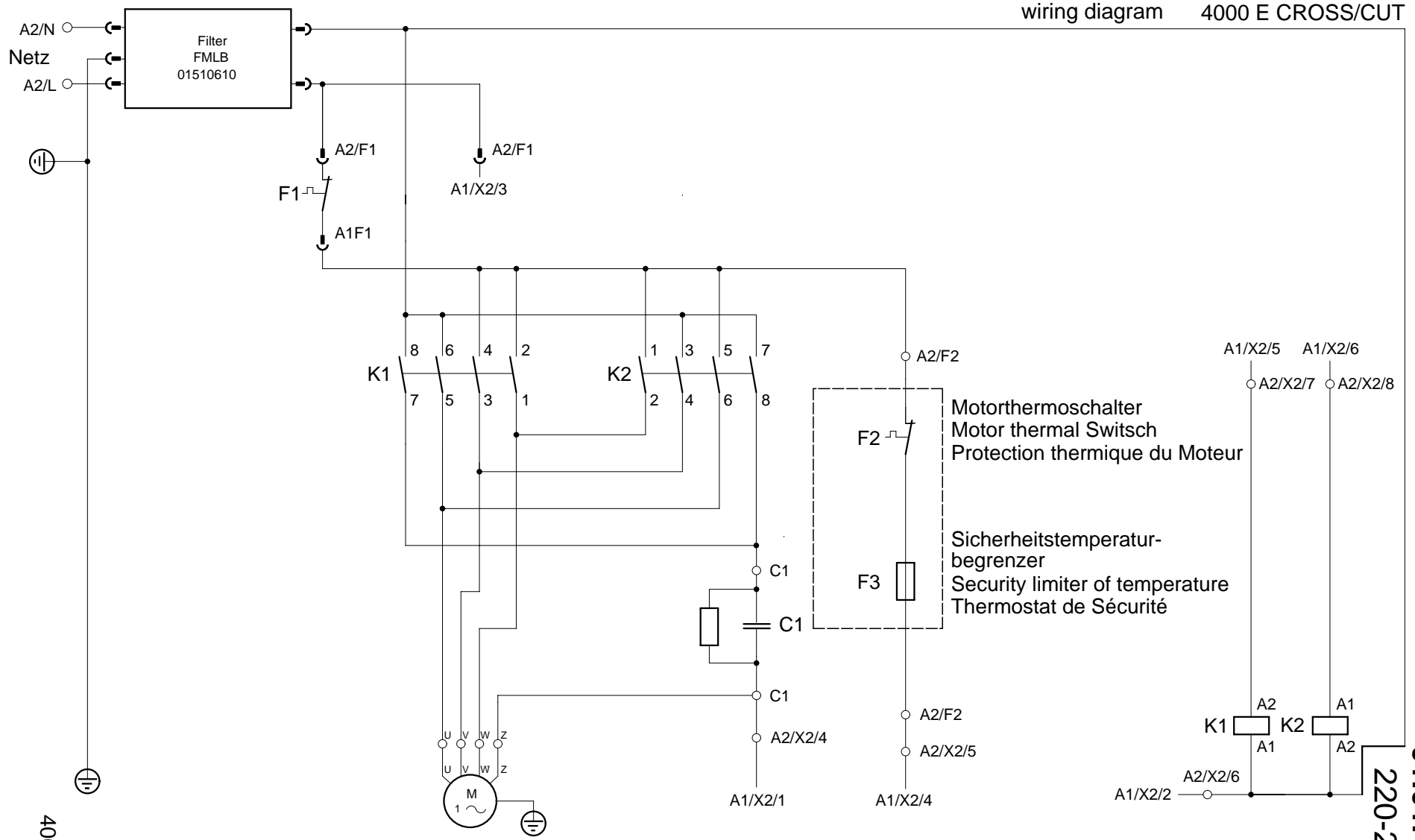


4000 118
10

Stromlaufplan 4000 E CROSS/CUT
 schéma de 4000 E CROSS/CUT
 circuit électrique 4000 E CROSS/CUT
 wiring diagram 4000 E CROSS/CUT

CROSS / CUT 0,8x12mm
Mod. 4000 E
 01.01.1999
 220-240V

Stromlaufplan 4000 E CROSS/CUT
 schéma de 4000 E CROSS/CUT
 circuit électrique 4000 E CROSS/CUT
 wiring diagram 4000 E CROSS/CUT



Mod. 4000 E

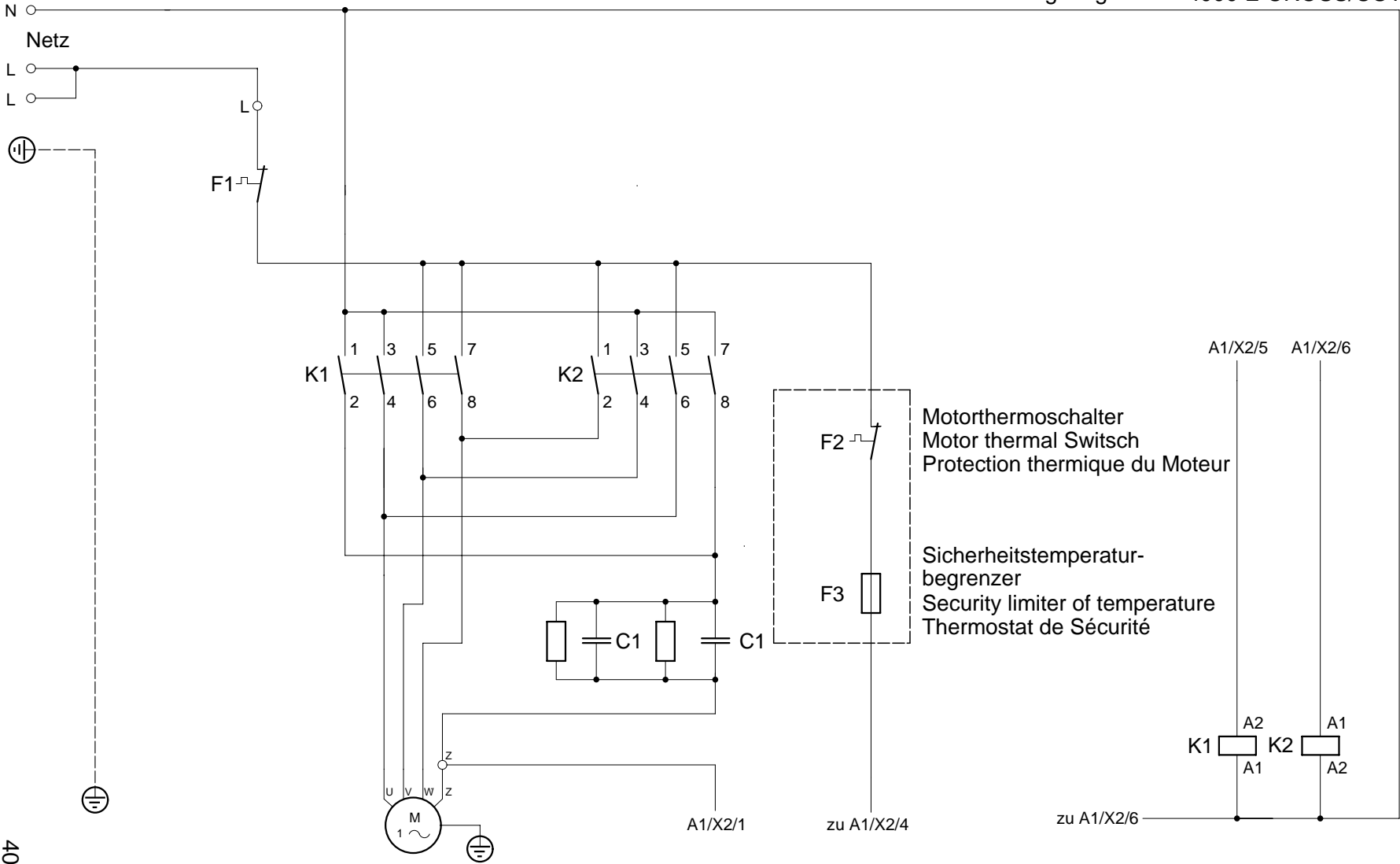
CROSS / CUT 0,8x12mm

01.01.1999

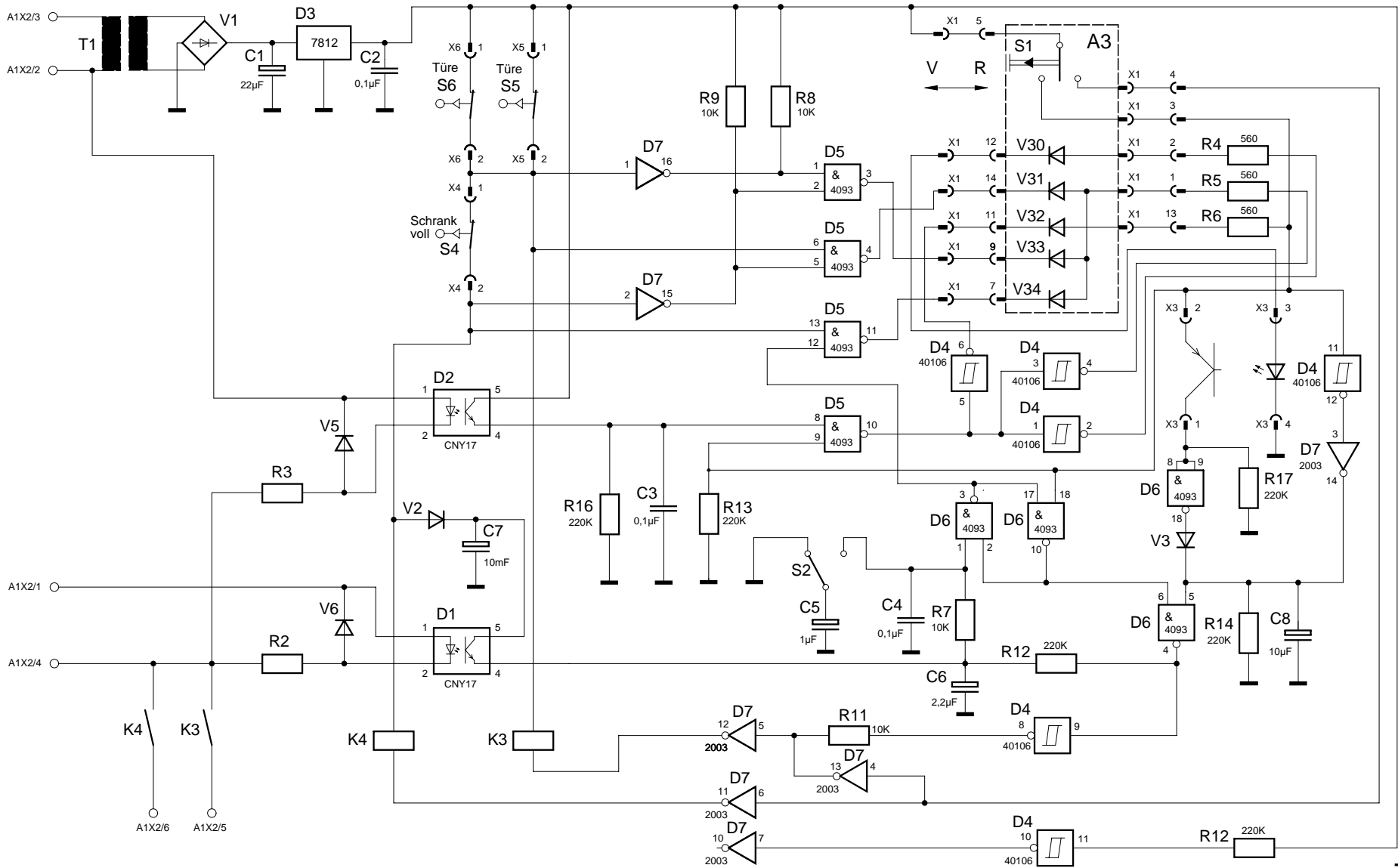
220-240V

4000 851
 11

Stromlaufplan 4000 E CROSS/CUT
 schéma de 4000 E CROSS/CUT
 circuit électrique 4000 E CROSS/CUT
 wiring diagram 4000 E CROSS/CUT



CROSS / CUT 0,8x12mm
Mod. 4000 E
 01.01.1999
 100-115V



100-115V

01.01.1999

Mod. 4000 E

CROSS / CUT 0,8x12mm

4000 124
13

Stromlaufplan 4000 E CROSS/CUT
 schéma de 4000 E CROSS/CUT
 circuit électrique 4000 E CROSS/CUT
 wiring diagram 4000 E CROSS/CUT