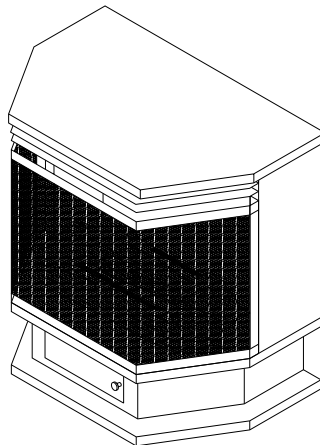


Comfort Glow[®]

VENT-FREE NATURAL GAS FREESTANDING PEDESTAL STOVE SYSTEM OWNER'S OPERATION AND INSTALLATION MANUAL

S26NT
20,000 to 26,000 Btu/Hr
Thermostatically-
Controlled



WARNING: If the information in this manual is not followed exactly, a fire or explosion may result causing property damage, personal injury, or loss of life.

- Do not store or use gasoline or other flammable vapors and liquids in the vicinity of this or any other appliance.
- **WHAT TO DO IF YOU SMELL GAS**
 - Do not try to light any appliance.
 - Do not touch any electrical switch; do not use any phone in your building.
 - Immediately call your gas supplier from a neighbor's phone. Follow the gas supplier's instructions.
 - If you cannot reach your gas supplier, call the fire department.
- Installation and service must be performed by a qualified installer, service agency, or the gas supplier.

WARNING: Improper installation, adjustment, alteration, service, or maintenance can cause injury or property damage. Refer to this manual for correct installation and operational procedures. For assistance or additional information consult a qualified installer, service agency, or the gas supplier.

WARNING: This is an unvented gas-fired heater. It uses air (oxygen) from the room in which it is installed. Provisions for adequate combustion and ventilation air must be provided. Refer to *Air for Combustion and Ventilation* section on page 4 of this manual.

This appliance may be installed in an aftermarket*, permanently located, manufactured (mobile) home, where not prohibited by local codes.

This appliance is only for use with the type of gas indicated on the rating plate. This appliance is not convertible for use with other gases.

*Aftermarket: Completion of sale, not for purpose of resale, from the manufacturer

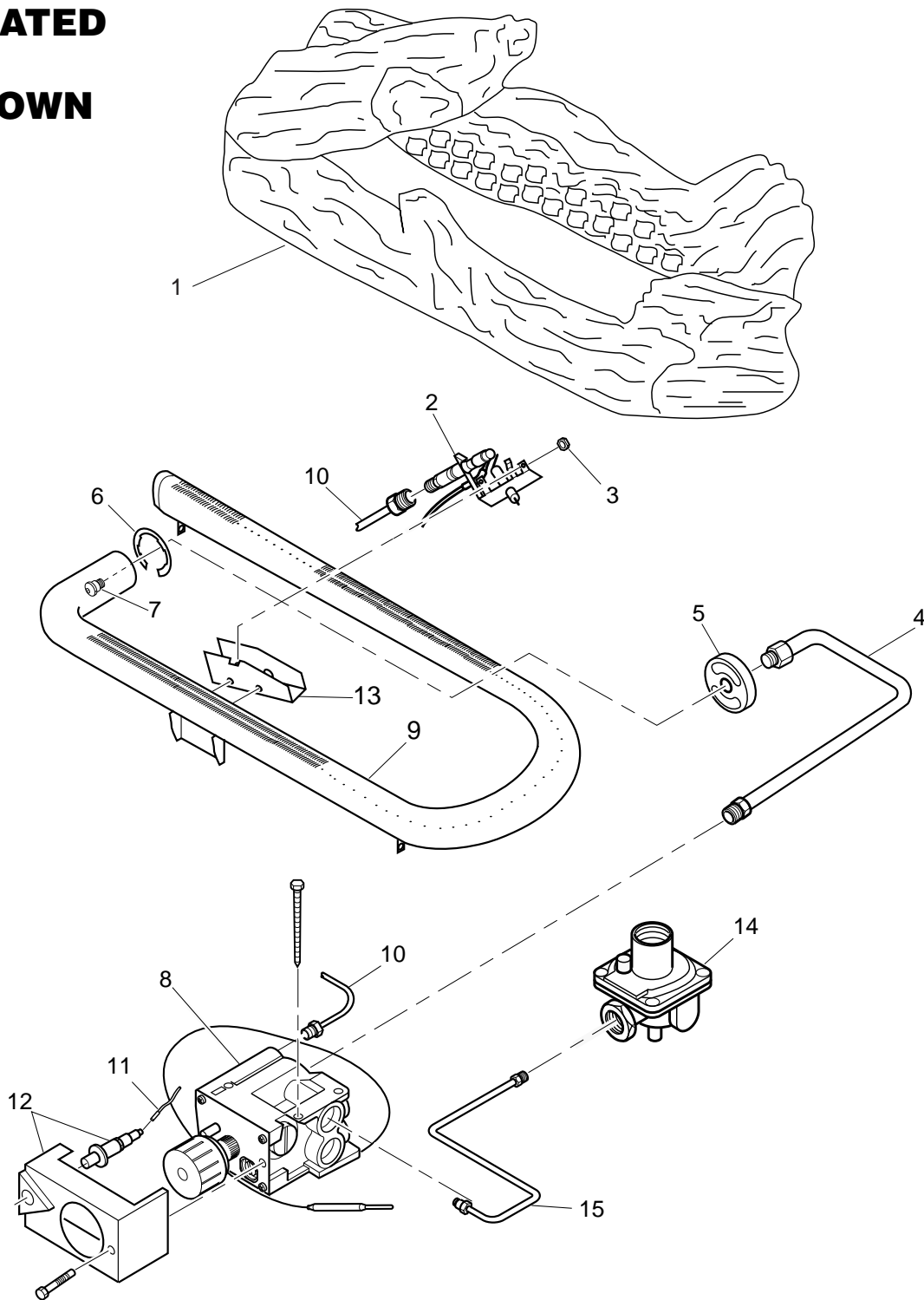
Save this manual for future reference.

Comfort Glow[®]

VENT-FREE NATURAL GAS PEDESTAL STOVE

ILLUSTRATED PARTS BREAKDOWN

S26NT



OWNER'S MANUAL

PARTS LIST

This list contains replaceable parts used in your heater. When ordering parts, follow the instructions listed under *Replacement Parts* on page 22 of this manual.

S26NT

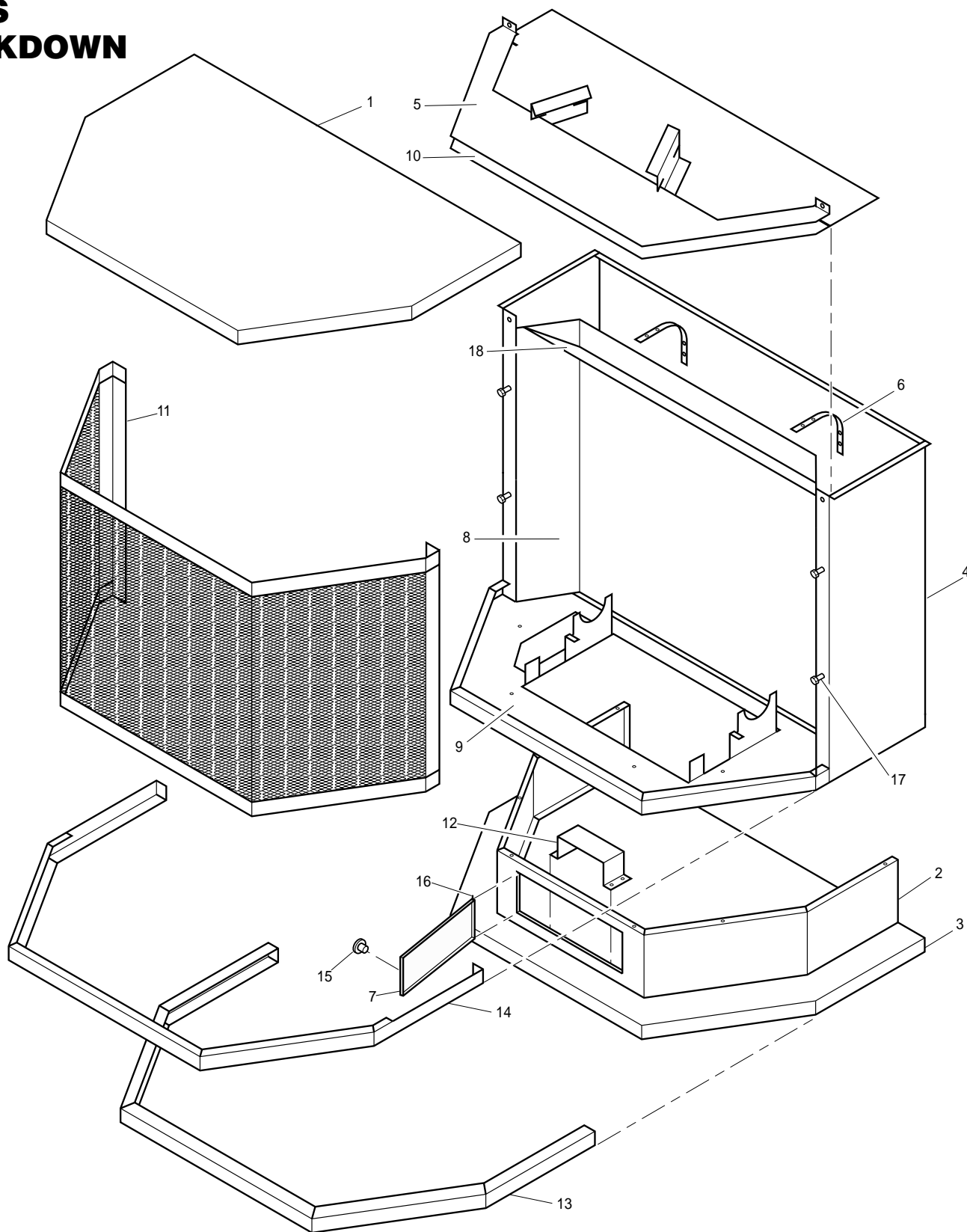
KEY NO.	PART NUMBER	DESCRIPTION	QTY.
1	106039-01	Log Set	1
2	14285-01	ODS Pilot (NG)	1
3	098249-01	ODS Nut	2
4	105973-01	Burner Outlet Tube	1
5	105737-01	Injector Holder	1
6	102843-01	Burner Clip	1
7	099056-27	Burner Orifice Injector	1
8	101329-25	Gas Control Valve	1
9	102980-01	Burner	1
10	099387-09	Pilot Tube	1
11	098271-07	Ignitor Cable	1
12	101381-01	Piezo Ignitor and Cover	1
13	L98515-01	Pilot Shield	1
14	L98303-01	Regulator	1
15	105972-01	Inlet Tube	1
PARTS AVAILABLE — NOT SHOWN			
	100563-01	Warning Plate	1
	101054-01	Lighting Instructions Plate	1

Comfort Glow®

VENT-FREE NATURAL GAS PEDESTAL STOVE

ILLUSTRATED PARTS BREAKDOWN

S26NT



OWNER'S MANUAL

PARTS LIST

This list contains replaceable parts used in your heater. When ordering parts, follow the instructions listed under *Replacement Parts* on page 22 of this manual.

S26NT

KEY NO.	PART NO.	DESCRIPTION	QTY.
1	105666-01	Top Panel, Stove	1
2	105656-01	Pedestal Stove	1
3	105655-01	Stove Base	1
4	105654-01	Stove Back Panel	1
5	105653-01	Louver Panel	1
6	105657-01	Blower Bracket	2
7	105658-01	Door	1
8	105659-01	Firebox Back Panel	1
9	105660-01	Firebox Floor	1
10	105661-01	Firebox Top Assembly	1
11	105970-01	Screen Assembly	1
12	101382-01	Valve Bracket	1
13	105672-01	Brass Trim, Bottom	1
14	105673-01	Brass Trim, Firebox	1
15	106754-01	Knob	1
16	105971-01	Door Hinge	1
17	099230-02	Shoulder Screw	4
18	106020-01	Heat Deflector	1
PARTS AVAILABLE — NOT SHOWN			
	101054-01	Lighting Instructions Plate	1
	100563-01	Warning Plate	1
	104310-10	Information Video	1
	104108-06	Touch-Up Paint Kit (12 oz. can)	1