








BEF320-1A
Operating Manual



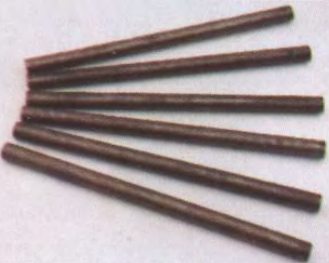
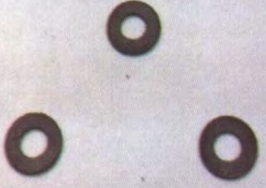

BEF320-1A
Operating Manual



ACCESSORIES

	Part number	Description	Application
	32001	Heavy duty drum complete with T.C.T. cutters and spacers.	Hardened steel cutter with tungsten inserts, for all concrete texturing, scabbling, planing and grooving applications. Removal of bridge deck and car park membranes, heavy industrial contamination, epoxy coatings and road markings. Use on heavy applications for longer life and higher output.
	32002	Heavy duty drum complete with beam flails	Heat treated steel cutter for the removal of paint coatings and laitence from new floors. Also used for removing of grease build ups, dirt and ice deposits, keying and light scabbling of concrete when a "fine textured" surface is required.
	32003	Heavy duty drum complete with milling cutters and spacers.	For the removal of thermoplastic road/runway markings. Very efficient and cost effective with none of the problems associated with burning off thermoplastics. Also for removal of bituminous materials and rubber deposits.
	80800	T.C.T. Cutter: 8 point hardened steel cutter with tungsten carbide insert.	For all concrete texturing scabbling, planing and grooving applications. Removal of bridge deck and car park membranes, heavy industrial contamination, epoxy coatings and road markings. Use on heavy applications for longer life and higher output.
	80120	Beam cutter: Heat treated steel cutter.	For the removal of paint coatings and laitence from new floors. Also used for the removing of grease build ups, dirt and ice deposits, keying and light scabbling of concrete when a "fine textured" surface is required.

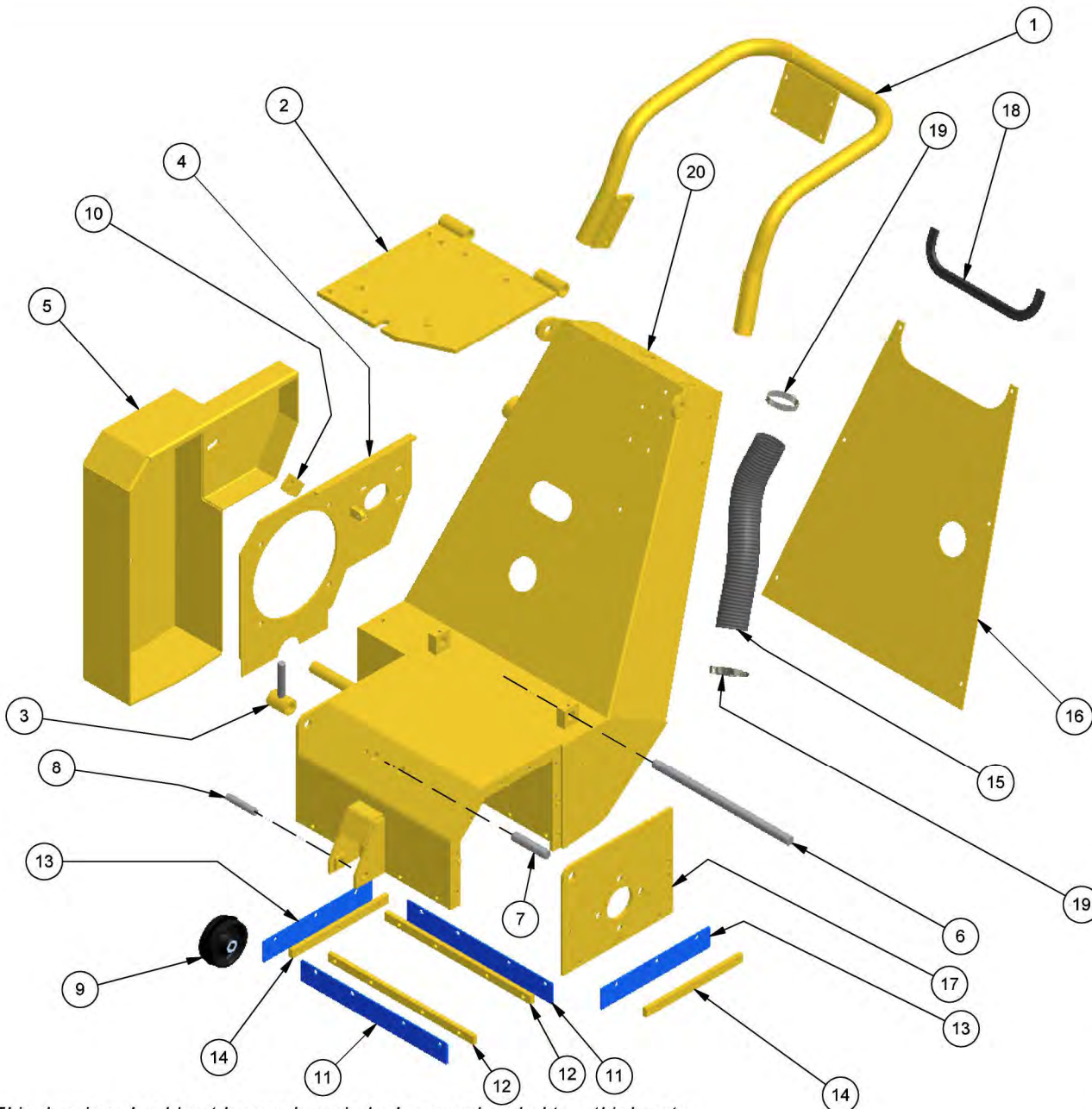
ACCESSORIES

	<p>20mm 80600N</p>	<p>Milling cutter: Tipped with tungsten carbide.</p>	<p>For the removal of thermoplastic road/runway markings, rubber based deposits and cold plastic coatings from asphalt and concrete.</p>
	<p>32000</p>	<p>Heavy duty drum complete with flail shafts.</p>	<p>For use with various cutter configurations.</p>
	<p>32020</p>	<p>Heavy duty flail shaft.</p>	<p>Hardened cutter shaft.</p>
	<p>40240</p>	<p>Spacing washer.</p>	<p>Hardened spacing washer.</p>
	<p>3049</p>	<p>Hardened Bush.</p>	<p>Hardened drum inserts to carry flail shafts.</p>



BEF320-1A
Operating Manual

Spare Parts Breakdown



Parts List			
ITEM	QTY	SPE PART NUMBER	DESCRIPTION
1	1	3002	Handle
2	1	3003	Motor Mounting Plate
3	1	3017	T-Bar
4	1	3031B	Pump Mounting Plate
5	1	3025	Belt Guard
6	1	3024	Swivel Pin
7	1	3018	Swivel Pin (T-Bar)
8	1	3016	Axle
9	1	3015	Front Wheel
10	1	3025A	Guard Support Bracket
11	2	3022	Front/Rear Seal
12	2	3021	Front/Rear Retaining Bar
13	2	3019	Side Seal
14	2	3020	Retaining Bar
15	1	3081	Vac Hose
16	1	3001B	Back Plate
17	1	3058A	Side Plate
18	1	3082	Edging Strip
19	2	HC-60	Hose Clip
20	1	3001	Main Chassis

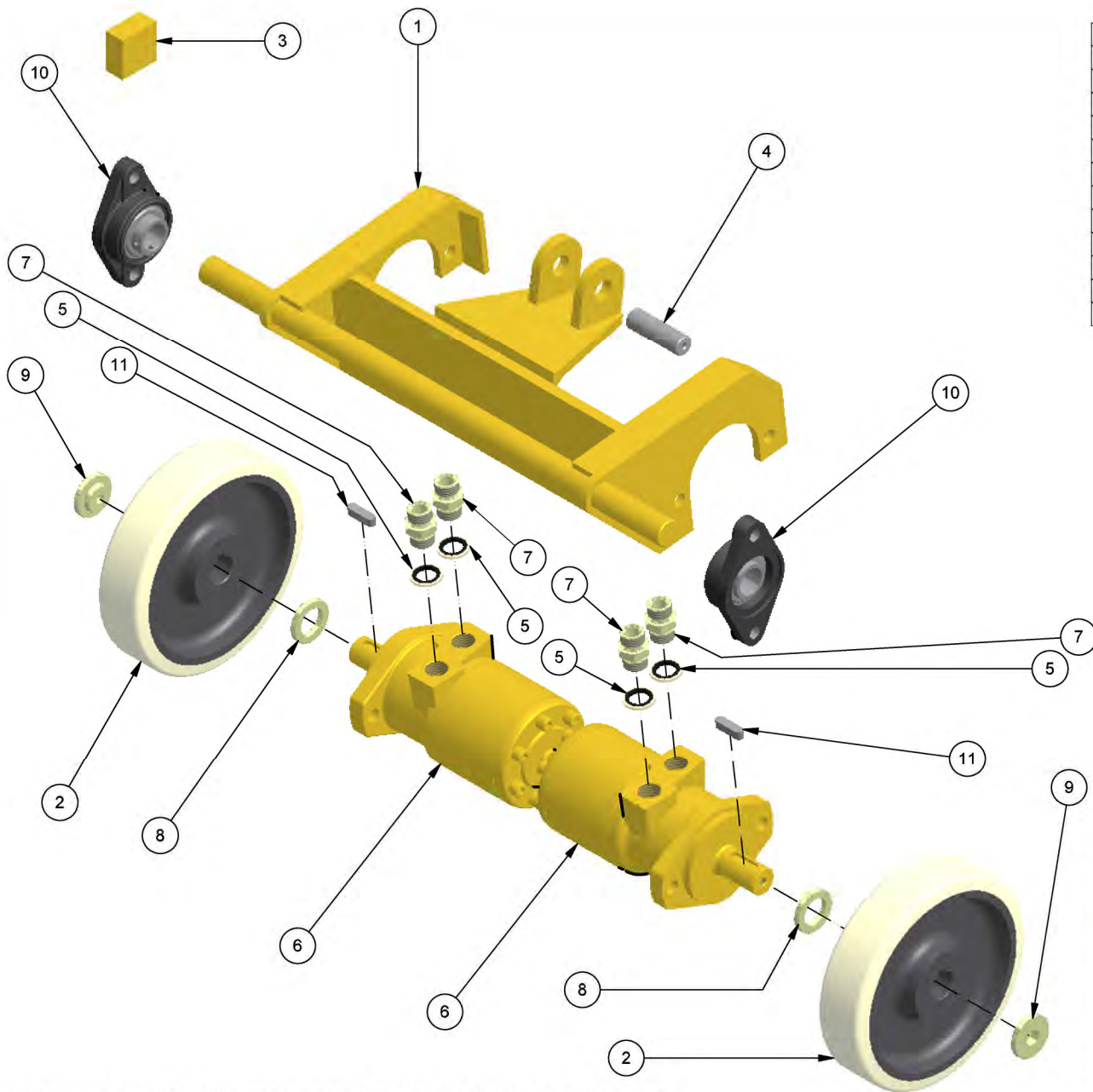
This drawing should not be used, copied, shown or handed to a third party without the prior written consent of SPE International Ltd.



SPE International Limited
 Honeyholes Lane, Dunholme
 Lincoln. LN2 3SU, England
 Tel: +44 (0) 1673 860 709
 or +44 (0) 1673 860 330
 Fax: +44 (0) 1673 861 119
 Web Site: <http://www.spe-int.com>
 E-mail: sales@spe-int.com

THIS DRAWING IS THE CONFIDENTIAL COPYRIGHT
PROPERTY OF SPE INTERNATIONAL LIMITED

Drawn	TITLE Body Components	
D.G.A.		
Checked	Drawing No. BEF-320_Bdy-01	MACHINE BEF 320-1A
P.A.		



Parts List			
ITEM	QTY	SPE PART NUMBER	DESCRIPTION
1	1	3004	Rear Wheel Bracket
2	2	07034	Wheel
3	1	3014A	Bearing Block
4	1	3009	Hyd. Ram Pin
5	4	DW 08	½" Dowty Washer
6	2	09009	Wheel Motor
7	4	ADAPT 003	½" m-m Hyd. Adaptor
8	2	07035A	Spacer Washer
9	2	07035	Hub Cap
10	2	3014	Flange Bearing
11	2	9131	8x30 Parallel Key

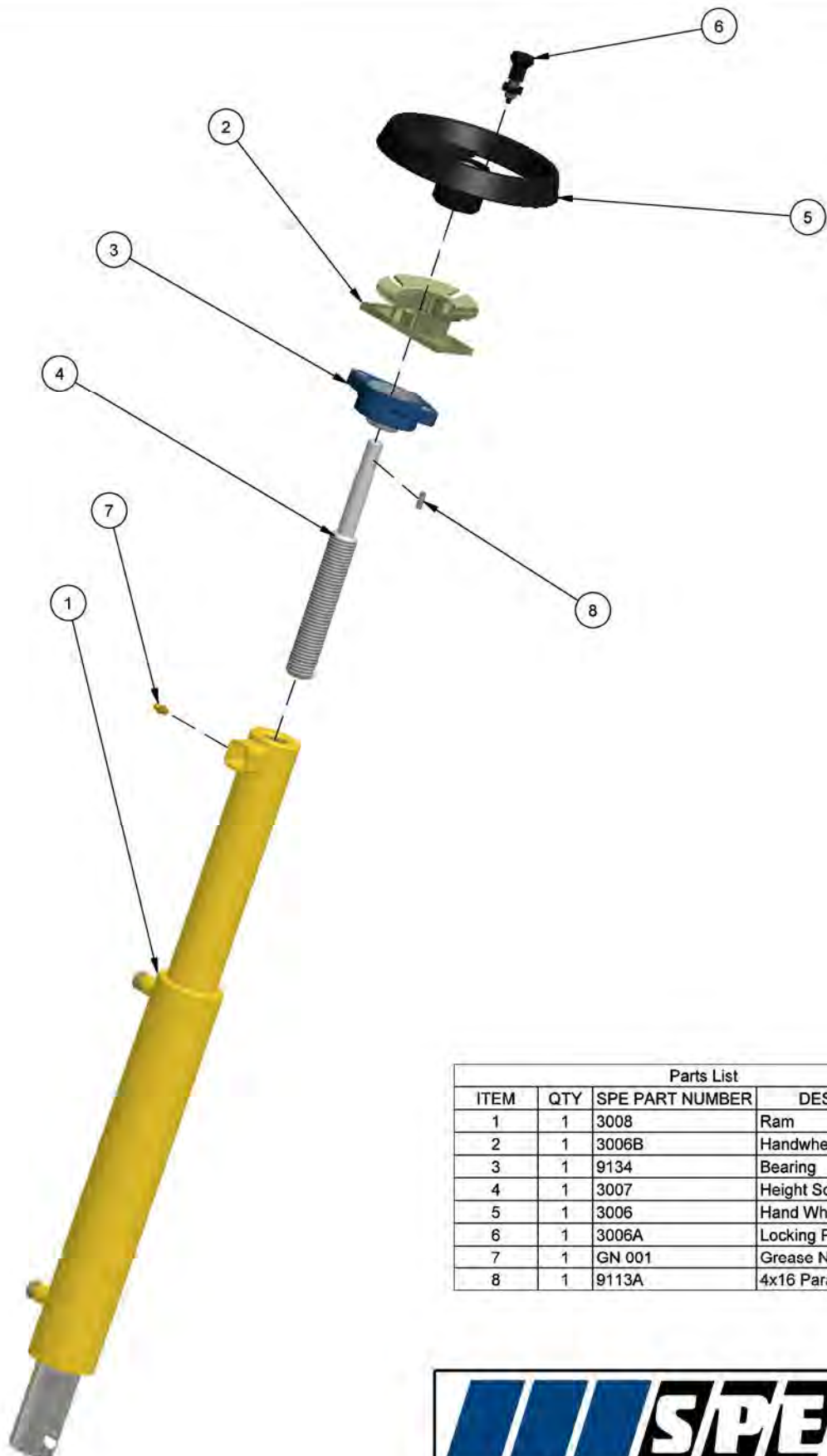

SPE
Surface Preparation Equipment™

SPE International Limited
 Honeyholes Lane, Dunholme
 Lincoln. LN2 3SU, England
 Tel: +44 (0) 1673 860 709
 or +44 (0) 1673 860 330
 Fax: +44 (0) 1673 861 119
 Web Site: <http://www.spe-int.com>
 E-mail: sales@spe-int.com

THIS DRAWING IS THE CONFIDENTIAL COPYRIGHT PROPERTY OF SPE INTERNATIONAL LIMITED

Drawn	TITLE Undercarriage Components	
D.G.A.		
Checked	Drawing No.	MACHINE
P.A.	BEF-320_Unc-01	BEF 320-1A

This drawing should not be used, copied, shown or handed to a third party without the prior written consent of SPE International Ltd.



Parts List			
ITEM	QTY	SPE PART NUMBER	DESCRIPTION
1	1	3008	Ram
2	1	3006B	Handwheel Locking Plate
3	1	9134	Bearing
4	1	3007	Height Screw
5	1	3006	Hand Wheel
6	1	3006A	Locking Plunger
7	1	GN 001	Grease Nipple
8	1	9113A	4x16 Parallel Key

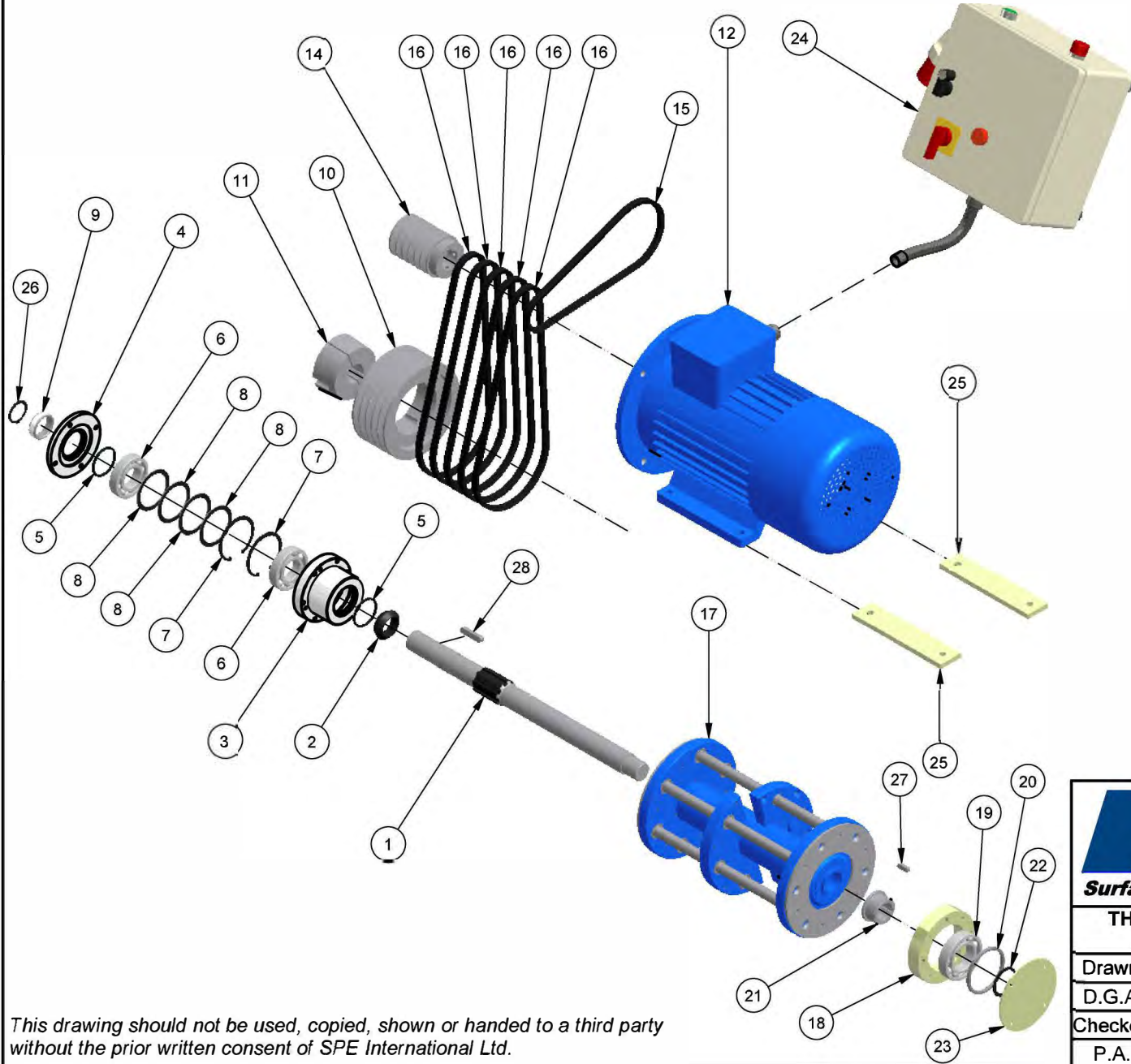
This drawing should not be used, copied, shown or handed to a third party without the prior written consent of SPE International Ltd.



SPE International Limited
 Honeyholes Lane, Dunholme
 Lincoln LN2 3SU, England
 Tel: +44 (0) 1673 860 709
 or +44 (0) 1673 860 330
 Fax: +44 (0) 1673 861 119
 Web Site: <http://www.spe-int.com>
 E-mail: sales@spe-int.com

THIS DRAWING IS THE CONFIDENTIAL COPYRIGHT PROPERTY OF SPE INTERNATIONAL LIMITED

Drawn	TITLE Height Adjuster Components	
D.G.A.		
Checked	Drawing No.	MACHINE
P.A.	BEF-320_HAd-01	BEF 320-1A



Parts List			
ITEM	QTY	SPE PART NUMBER	DESCRIPTION
1	1	3063A	Drive Shaft
2	1	701669	Washer
3	1	701665	Bearing Housing
4	1	701667	Bearing Top
5	2	703044	Lipped Seal
6	2	703063	Bearing
7	2	703060	Int Circlip
8	4	703131	Adjusting Washer - Flat
9	1	701671	Washer
10	1	3047A	Pulley
11	1	08039	Taper Lock Bush [3020 - 38mm]
12	1	3061	Electric Motor
13	1	3033A	6x39 Parallel Key
14	1	3032B	Drive Pulley
15	1	3027	Drive Belt (Hyd Pump)
16	5	11307	Drive Belt
17	1	32000	Drum c/w Flail Shafts
18	1	3066	Bearing Housing
19	1	2137	Bearing
20	1	2034	Support Side Spacer
21	1	3064A	Bearing Insert
22	1	2138	Ext. Circlip
23	1	3057	Bearing Housing End Plate
24	1	3079B	Electric Panel Asmy
25	2	3087	Motor Spacer
26	1	703059	Ext. Circlip
27	1	3065	8x25 Parallel Key
28	1	703154	10x50 Parallel Key

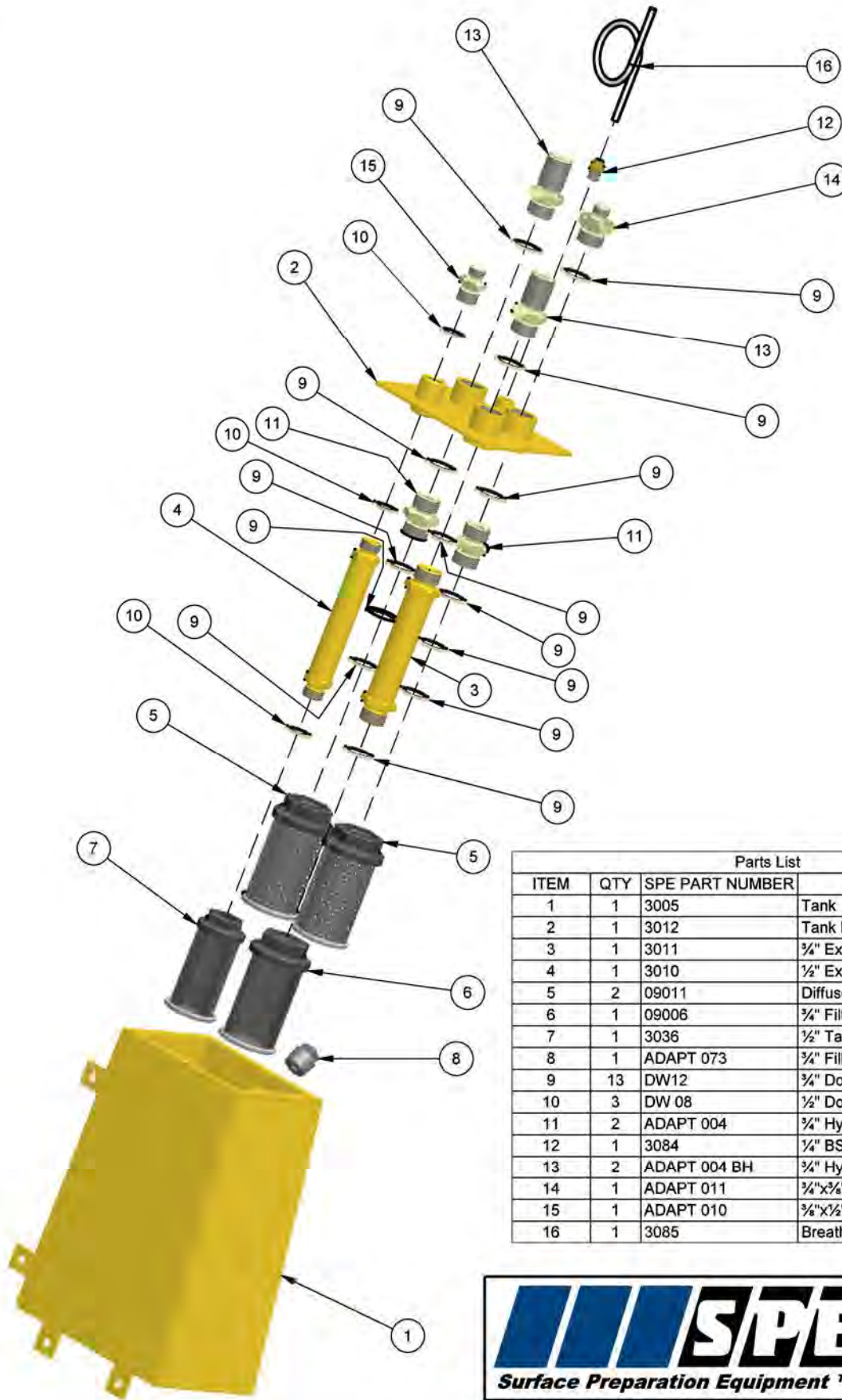


SPE International Limited
 Honeyholes Lane, Dunholme
 Lincoln, LN2 3SU, England
 Tel: +44 (0) 1673 860 769
 or +44 (0) 1673 860 330
 Fax: +44 (0) 1673 861 119
 Web Site: <http://www.spe-int.com>
 E-mail: sales@spe-int.com

**THIS DRAWING IS THE CONFIDENTIAL COPYRIGHT
 PROPERTY OF SPE INTERNATIONAL LIMITED**

Drawn	TITLE Drum Drive Components	
D.G.A.		
Checked	Drawing No.	MACHINE
P.A.	BEF-320_DDr-01	BEF 320-1A

This drawing should not be used, copied, shown or handed to a third party without the prior written consent of SPE International Ltd.



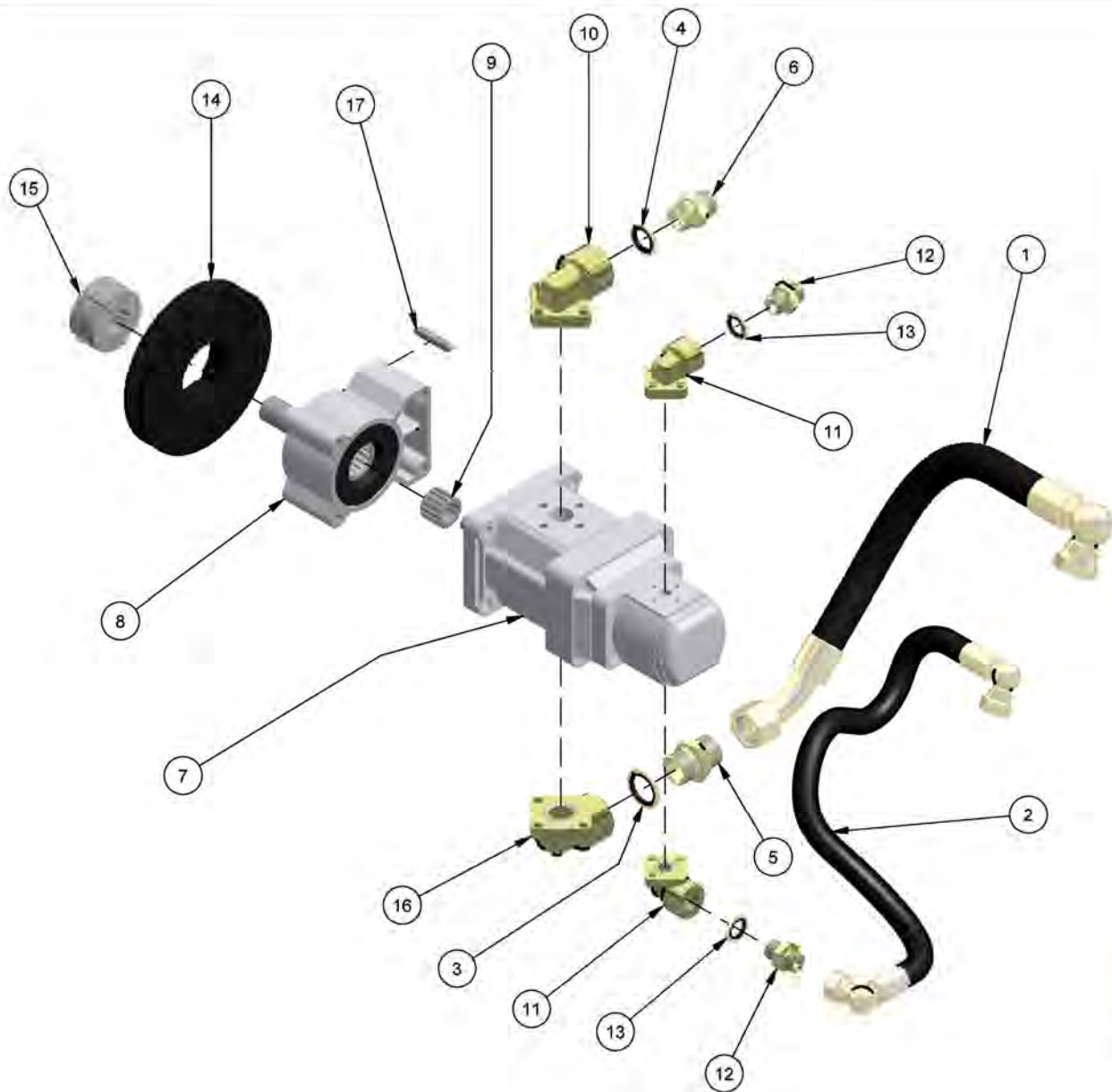
Parts List			
ITEM	QTY	SPE PART NUMBER	DESCRIPTION
1	1	3005	Tank
2	1	3012	Tank Lid
3	1	3011	3/4" Extension Pipe
4	1	3010	1/2" Extension Pipe
5	2	09011	Diffuser
6	1	09006	3/4" Filter
7	1	3036	1/2" Tank Filter
8	1	ADAPT 073	3/4" Filler Plug
9	13	DW12	3/4" Dowty Washer
10	3	DW 08	1/2" Dowty Washer
11	2	ADAPT 004	3/4" Hyd. Connector
12	1	3084	3/4" BSP Flexi-Pipe Connector
13	2	ADAPT 004 BH	3/4" Hyd. Bulkhead Connector
14	1	ADAPT 011	3/4"x3/4" Hyd. Adapter
15	1	ADAPT 010	3/8"x1/2" m-m Hyd. Adaptor
16	1	3085	Breather Pipe

SPE International Limited
 Honeyholes Lane, Dunholme
 Lincoln, LN2 3SU, England
 Tel: +44 (0) 1673 860 709
 or +44 (0) 1673 860 330
 Fax: +44 (0) 1673 861 119
 Web Site: <http://www.spe-int.com>
 E-mail: sales@spe-int.com

THIS DRAWING IS THE CONFIDENTIAL COPYRIGHT PROPERTY OF SPE INTERNATIONAL LIMITED

Drawn	TITLE Hydraulic Tank Components	
D.G.A.		
Checked	Drawing No.	MACHINE
P.A.	BEF-320_HyT-01	BEF 320-1A

This drawing should not be used, copied, shown or handed to a third party without the prior written consent of SPE International Ltd.



Parts List			
ITEM	QTY	SPE PART NUMBER	DESCRIPTION
1	1	3041	Hyd. Pipe, Tank to Pump
2	1	3046	Hyd. Pipe, Tank to Pump
3	1	DW12	3/4" Dowty Washer
4	1	DW 08	1/2" Dowty Washer
5	1	ADAPT 004	3/4" Hyd. Connector
6	1	ADAPT 003	1/2" m-m Hyd. Adaptor
7	1	3035	Tandem Pump
8	1	3033	Load Adapter
9	1	3034	Splined Drive
10	1	3035B	1/2" Port Connector c/w O-Ring
11	2	3035A	3/8" Port Connector c/w O-Ring
12	2	ADAPT 002	3/8" m-m Hyd. Adaptor
13	2	DW 06	3/8" Dowty Washer
14	1	3030	Driven Pulley
15	1	3029	Taper Lock Bush [1610 - 22mm]
16	1	3035C	3/4" Port Connector c/w O-Ring
17	1	3033A	6x39 Parallel Key

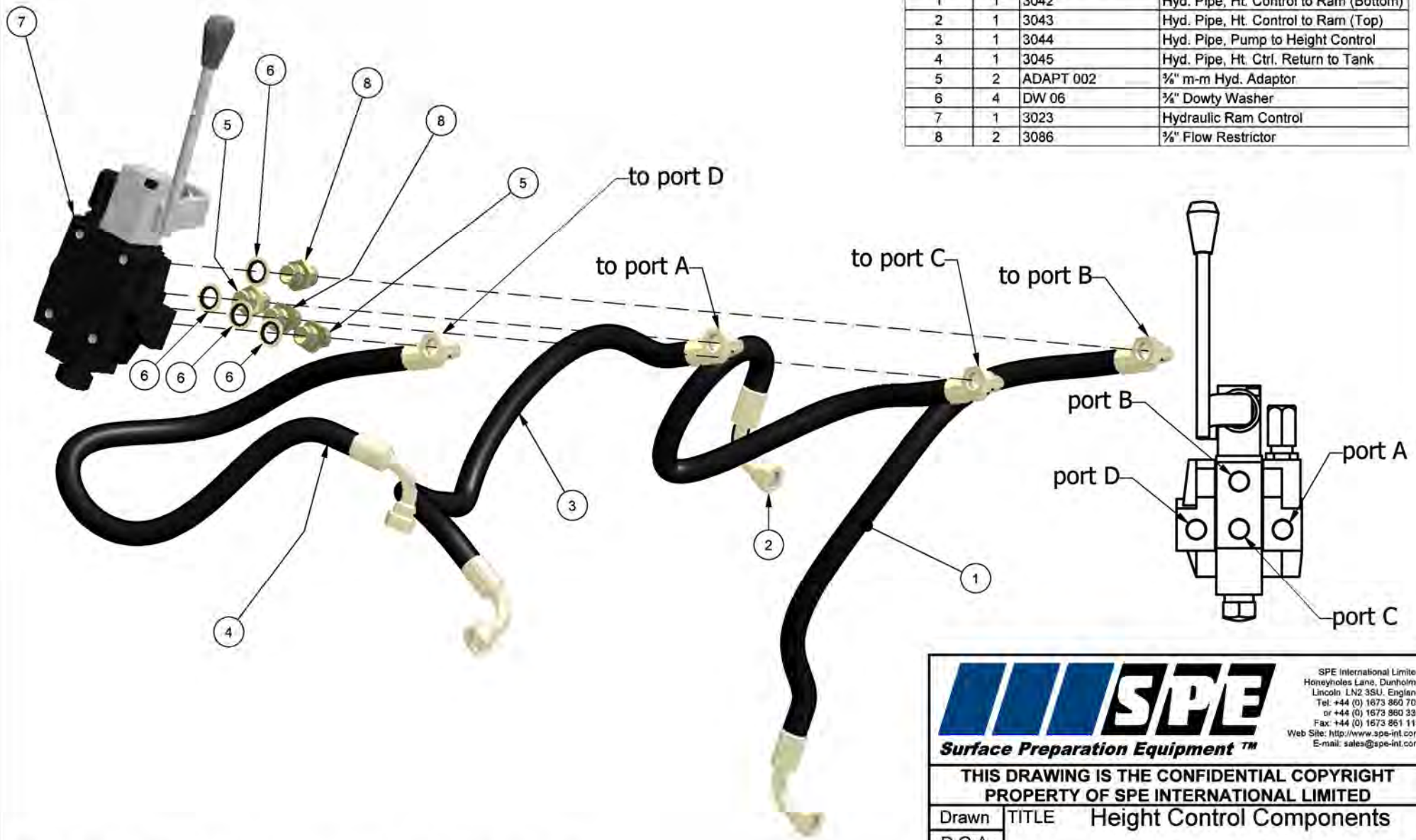

SPE
Surface Preparation Equipment™

SPE International Limited
 Honeyholes Lane, Dunholme
 Lincoln LN2 3SU, England
 Tel: +44 (0) 1673 860 769
 or +44 (0) 1673 860 330
 Fax: +44 (0) 1673 861 119
 Web Site: <http://www.spe-int.com>
 E-mail: sales@spe-int.com

THIS DRAWING IS THE CONFIDENTIAL COPYRIGHT PROPERTY OF SPE INTERNATIONAL LIMITED

Drawn	TITLE Hydraulic Drive Components	
D.G.A.		
Checked	Drawing No.	MACHINE
P.A.	BEF-320_HDr-01	BEF 320-1A

This drawing should not be used, copied, shown or handed to a third party without the prior written consent of SPE International Ltd.



Parts List			
ITEM	QTY	SPE PART NUMBER	DESCRIPTION
1	1	3042	Hyd. Pipe, Ht. Control to Ram (Bottom)
2	1	3043	Hyd. Pipe, Ht. Control to Ram (Top)
3	1	3044	Hyd. Pipe, Pump to Height Control
4	1	3045	Hyd. Pipe, Ht. Ctrl. Return to Tank
5	2	ADAPT 002	3/4" m-m Hyd. Adaptor
6	4	DW 06	3/4" Dowty Washer
7	1	3023	Hydraulic Ram Control
8	2	3086	3/4" Flow Restrictor

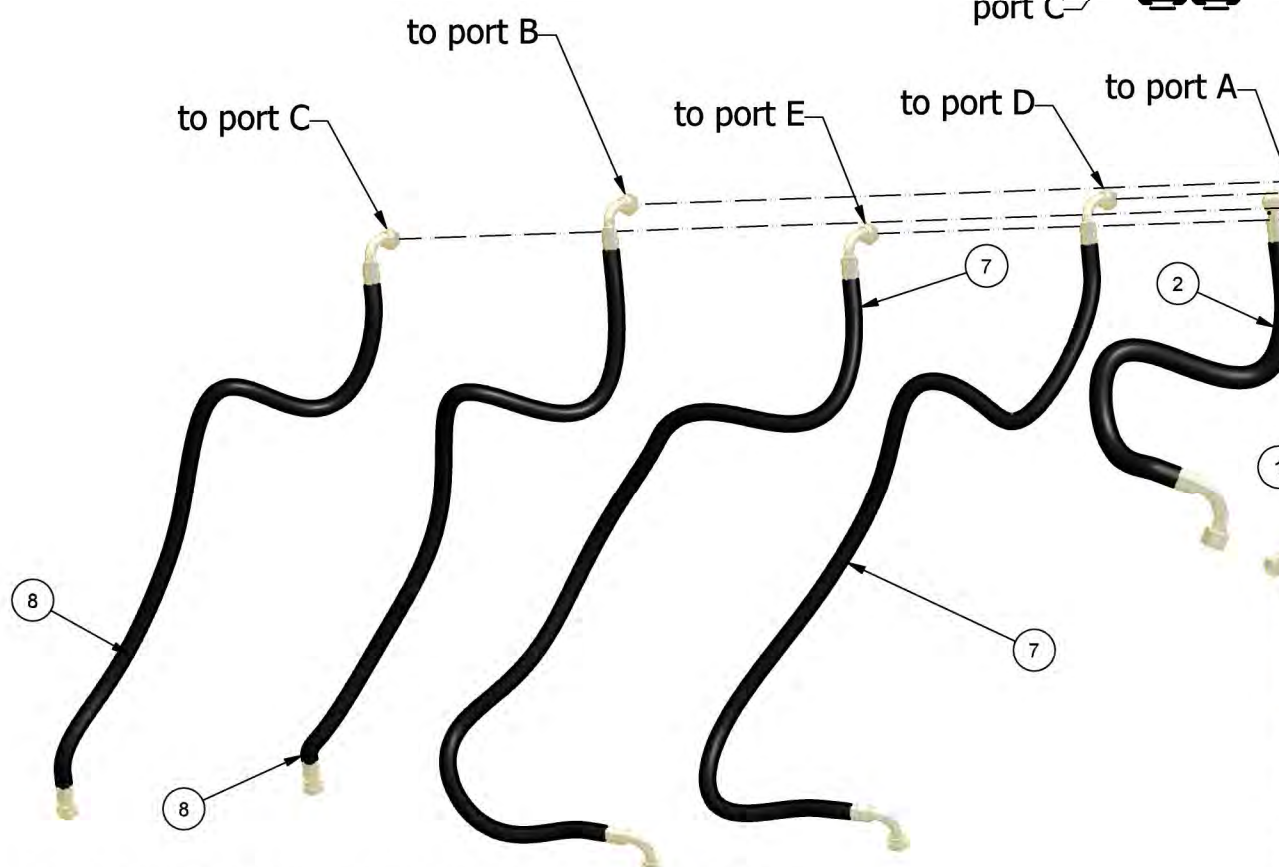
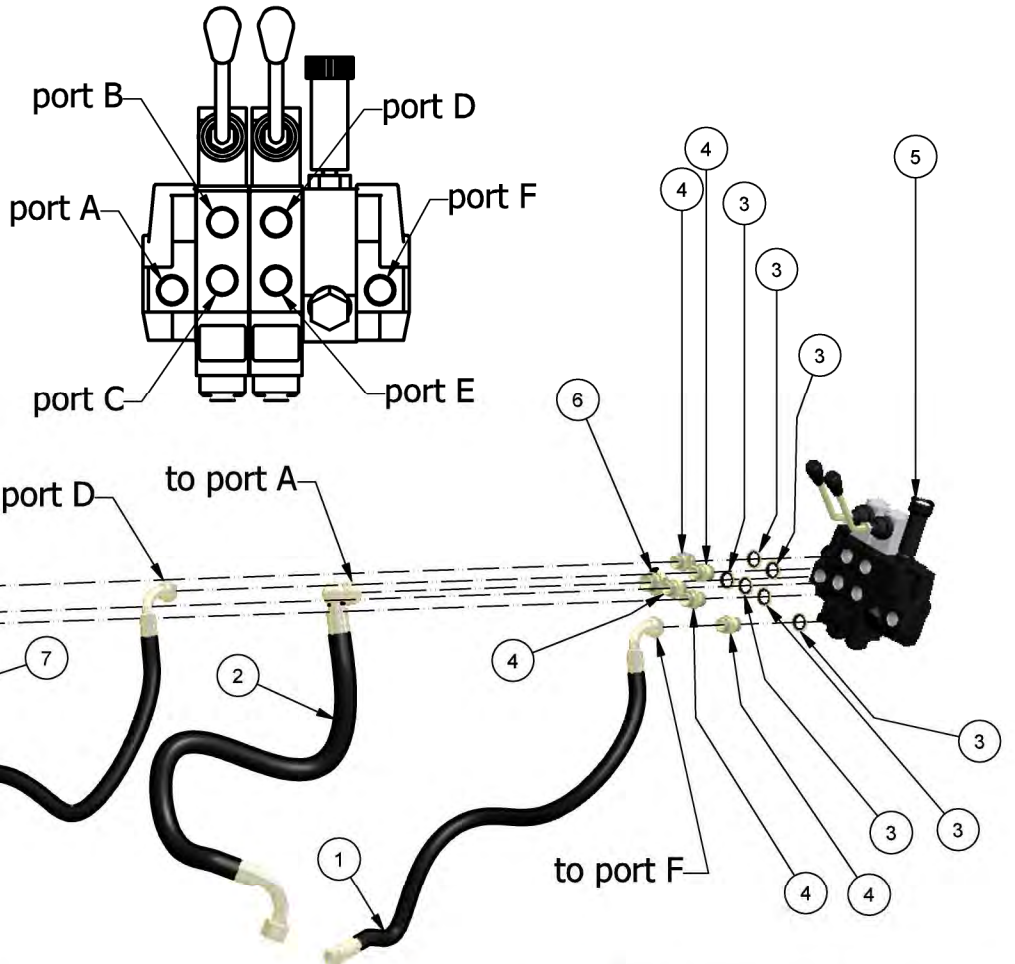
This drawing should not be used, copied, shown or handed to a third party without the prior written consent of SPE International Ltd.

SPE
Surface Preparation Equipment™

SPE International Limited
Honeyholes Lane, Dunholme
Lincoln LN2 3SU, England
Tel: +44 (0) 1673 860 769
or +44 (0) 1673 860 330
Fax: +44 (0) 1673 861 119
Web Site: <http://www.spe-int.com>
E-mail: sales@spe-int.com

THIS DRAWING IS THE CONFIDENTIAL COPYRIGHT PROPERTY OF SPE INTERNATIONAL LIMITED		
Drawn	TITLE	Height Control Components
D.G.A.		
Checked	Drawing No.	MACHINE
P.A.	BEF-320_HCt-01	BEF 320-1A

Parts List			
ITEM	QTY	SPE PART NUMBER	DESCRIPTION
1	1	3039	Hyd. Pipe, Pump to Drive Control
2	1	3040	Hyd. Pipe, Drive Control to Tank
3	6	DW 08	½" Dowty Washer
4	5	ADAPT 003	½" m-m Hyd. Adaptor
5	1	09010	Hydraulic Drive Control
6	1	ADAPT 013	¾"x½" Hyd. Adapter
7	2	3038	Hyd. Pipe, Dv. Ctrl. to L/H Wheel Motor
8	2	3037	Hyd. Pipe, Dv. Ctrl. to R/H Wheel Motor

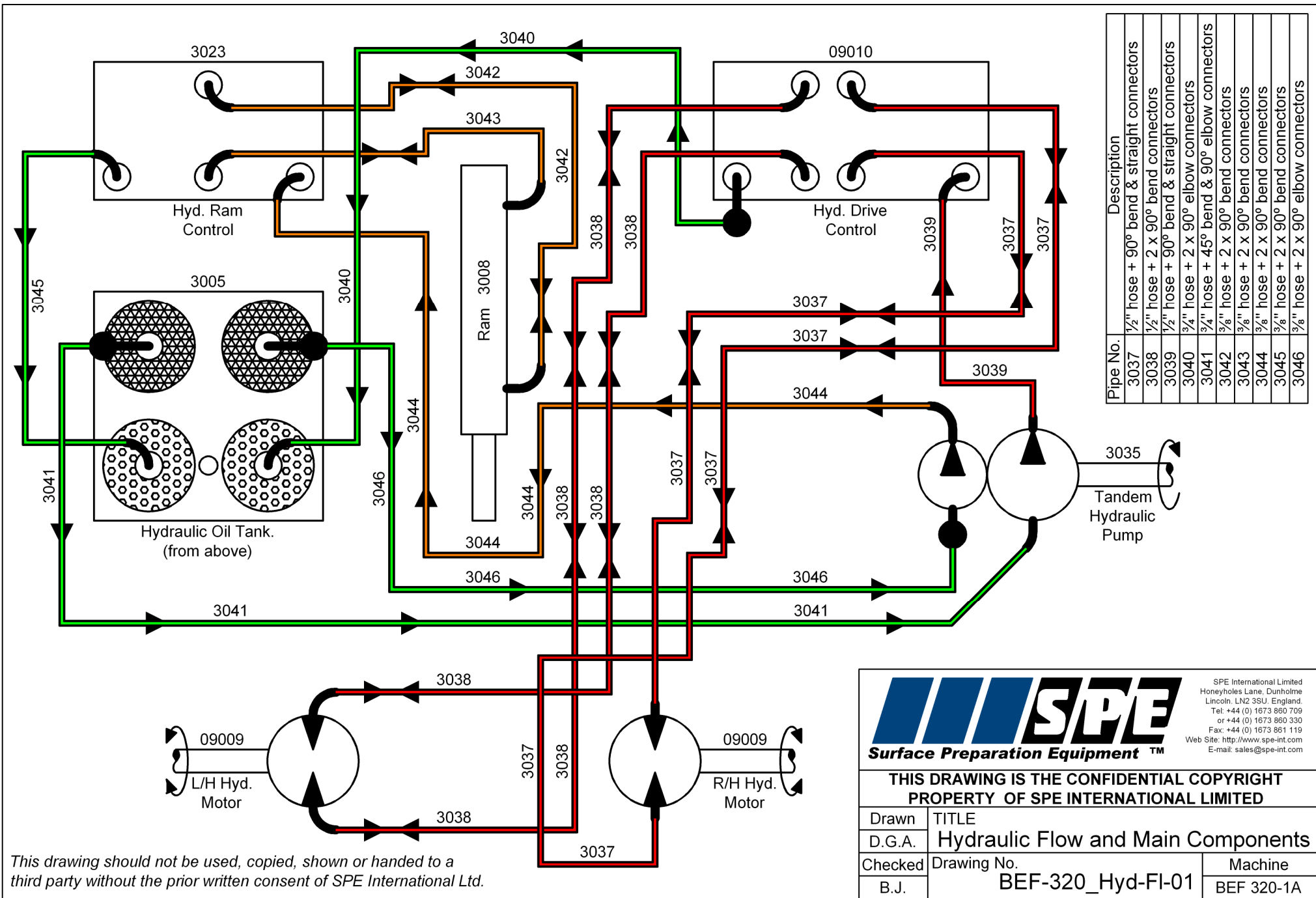


SPE
Surface Preparation Equipment™

SPE International Limited
Honeyholes Lane, Dunholme
Lincoln, LN2 3SU, England
Tel: +44 (0) 1673 860 709
or +44 (0) 1673 860 330
Fax: +44 (0) 1673 861 119
Web Site: <http://www.spe-int.com>
E-mail: sales@spe-int.com

THIS DRAWING IS THE CONFIDENTIAL COPYRIGHT PROPERTY OF SPE INTERNATIONAL LIMITED		
Drawn	TITLE Motor Drive Components	
D.G.A.		
Checked	Drawing No.	MACHINE
P.A.	BEF-320_MDr-01	BEF 320-1A

This drawing should not be used, copied, shown or handed to a third party without the prior written consent of SPE International Ltd.



This drawing should not be used, copied, shown or handed to a third party without the prior written consent of SPE International Ltd.

SPE International Limited
 Honeyholes Lane, Dunholme
 Lincoln LN2 3SU, England.
 Tel: +44 (0) 1673 860 709
 or +44 (0) 1673 860 330
 Fax: +44 (0) 1673 861 119
 Web Site: <http://www.spe-int.com>
 E-mail: sales@spe-int.com

THIS DRAWING IS THE CONFIDENTIAL COPYRIGHT
PROPERTY OF SPE INTERNATIONAL LIMITED

Drawn	TITLE	
D.G.A.	Hydraulic Flow and Main Components	
Checked	Drawing No.	Machine
B.J.	BEF-320_Hyd-FI-01	BEF 320-1A

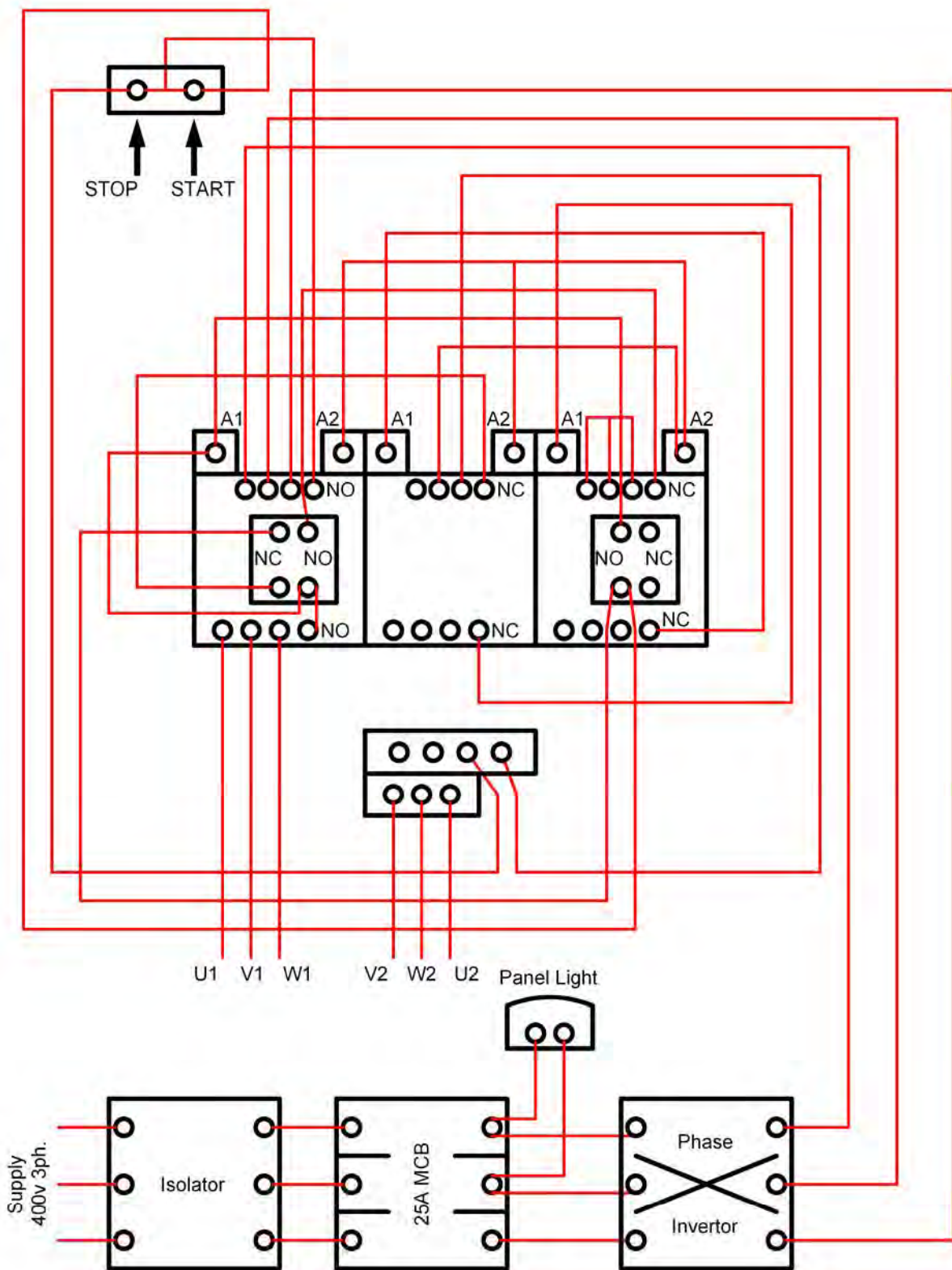


BEF320-1A Operating Manual

BEF320 (B) TYPE PANEL ASSY (PART NO 3079B)

QTY	DESCRIPTION	SPE PART NO.
1	Panel Inc Back Plate (Tempo Pano)	SPE
1	Overload	SPLRD16
1	Star Delta Start Unit	SPE
1	Switch Block (Telemec)	SPZB4BZ101
1	Switch Block (Telemec)	SPZB4BZ102
1	Start Button (Telemec)	SPZB4BA3
1	Start Button (Telemec)	SPZB4BS44
1	Panel Light Lens (Telemec)	SPZB4BV04
1	Panel Lamp	SPZB4BV05
1	Isolator 40Amp (Pettereins)	SPFWA4/3C
1	Trip (Chint)	SP60HD325
1	32A 4Pin Surface Mtd Plug (Walther)	SP630-406
1	Switch	09026/320
1	Gland	9258/200
1	Brass Bush. Nut	608-222
4	Rubber Mounts	9245/320

This drawing should not be used, copied, shown or handed to a third party without the prior written consent of SPE International Ltd.



SPE International Limited
 Honeyholes Lane, Dunholme
 Lincoln, LN2 3SU, England
 Tel: +44 (0) 1673 860 709
 or +44 (0) 1673 860 330
 Fax: +44 (0) 1673 861 119
 Web Site: www.spe-int.com
 E-mail: sales@spe-int.com

THIS DRAWING IS THE CONFIDENTIAL COPYRIGHT PROPERTY OF SPE INTERNATIONAL Ltd.

Drawn	TITLE		Wiring Diagram
D.G.A.			
Checked	Drawing No.	BEF-320_Elec-01	Machine
J.J.			BEF 320-1A



BEF320-1A
Operating Manual

SPECIFICATION SHEET

Specifications	
Type	Electric
Part Number	BEF320-1A
Power Output (hp)	15
Voltage	380/415
Cycles	50
Cutter head speed (rpm)	650
Starter	Star/Delta
Travel speed mtr/min	0-12
Machine Dimensions (mm)	
Length	1230
Width	590
Height	1220
Weight (kg) c/w cutter drum	339
Working width of cutters (mm)	320
Working distance from wall (mm)	40
Hydraulic oil	HM46
Tank capacity	6 litres

ELECTRICAL REQUIREMENTS

Machine	Volts	Plug Size	Cable Size	Max Cable Length	Transformer	Generator
BEF320-1A	380/415	32Amp 4 pin	6.0 4 Core	75 Metres	-	25kva