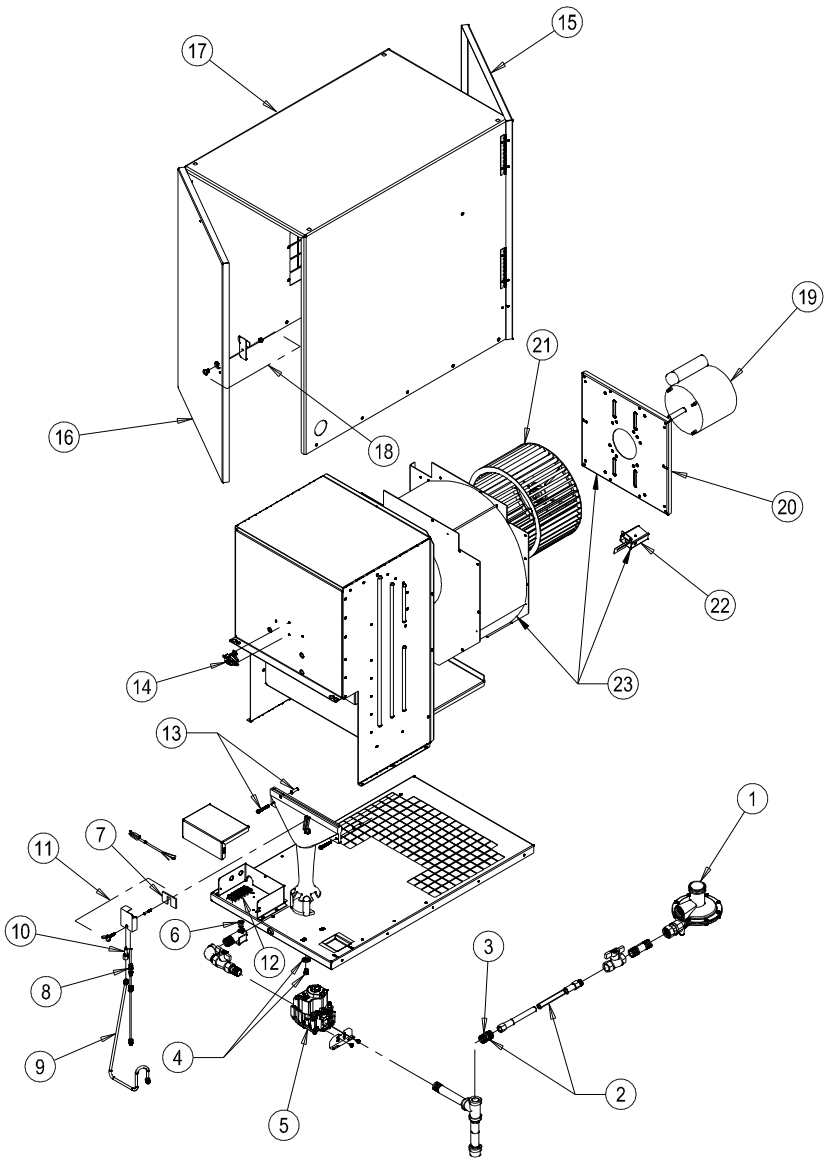


# Service Parts Identification Schematic



## Parts List - AB250

Item	Description	Part Number
1	Regulator, Second Stage (LP Gas)	06553 (1)
	Regulator, Second Stage (Nat. Gas)	24414 (1)
2	Hose, 1/2 in. ID x 10 ft. with adapter	20714 (1)
3	Adapter, hose, 1/2 NPT x 1/2 NPS	25873 (1)
4	Bolt and washer	25866
5	Gas control valve LP gas	521615
	Natural gas	521616
6	Burner orifice, LP gas	570053
	Natural gas	570054
7	Gasket	570461
8	Thermocouple, 22 in.	503497
9	Pilot tubing with compression nuts and sleeves	570661
10	Pilot orifice, LP gas	507829
	Natural gas	506968
11	Pilot assembly with orifice and gasket, LP gas	520264
	Natural gas	520759
12	Terminal strip	570491
13	Burner mounting hardware	570211
14	High limit switch	505566
15	Door, motor end	570062G*
		570062T*
16	Door, burner end	573241G*
		573241T*
17	Case assembly, with doors and latches	570834G*
		570834T*
18	Latch kit, case assembly	570228
19	Motor, 1/3 hp., ball bearing	520169
20	Motor mount	570251
21	Fan wheel	570481
22	Air proving switch	24157
23	Fan housing with air proving switch and motor mount	24167

(1) Accessory - Must be ordered separately.

\*G: Galvanized, T: Tri-Shield (White) material.

Ensure the correct part number and material is selected before ordering.