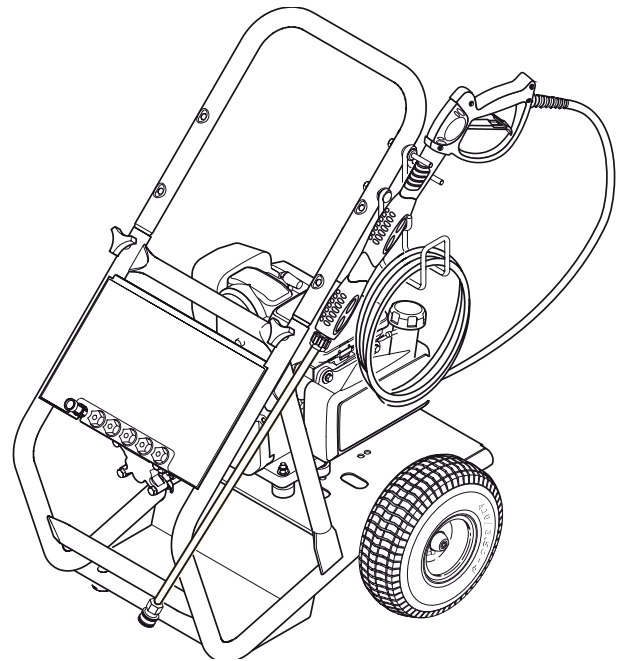
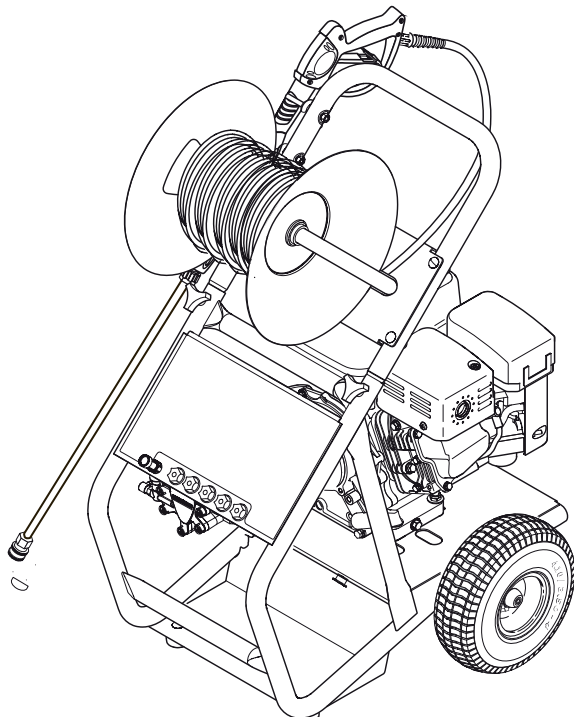


SERVICE MANUAL



MODEL #

KG-252437

KG-262637

KG-313137

KG-403637

ORDER #

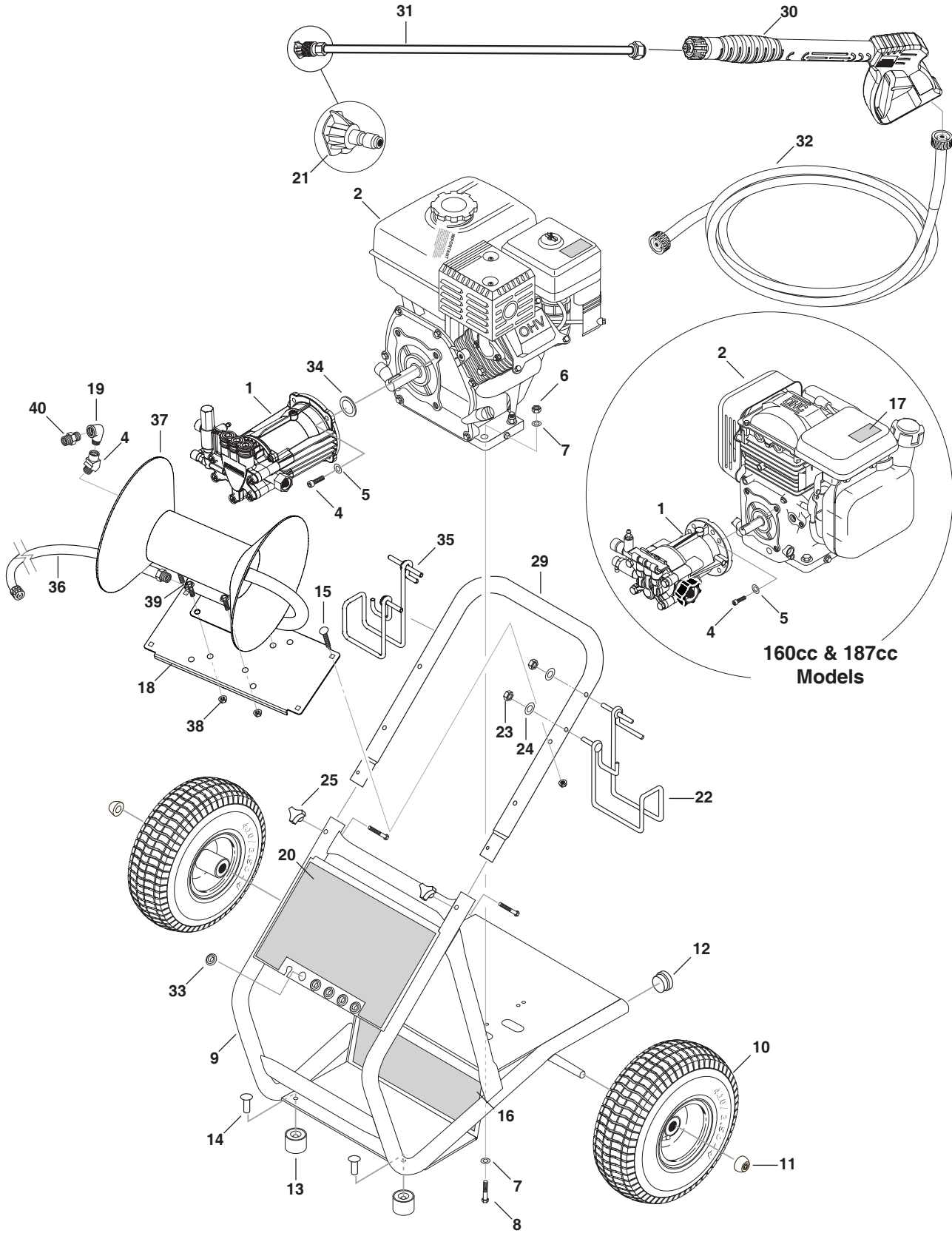
1.107-238.0

1.107-239.0

1.107-240.0

1.107-241.0

EXPLODED VIEW

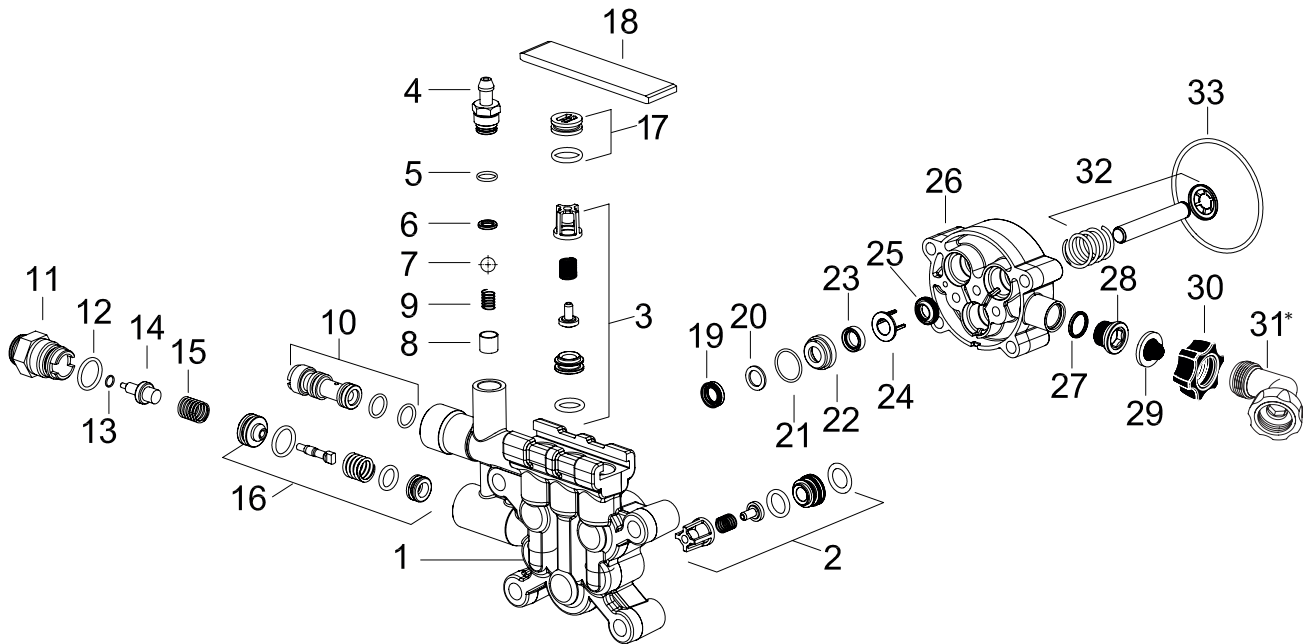


EXPLODED VIEW PARTS LIST

ITEM	PART NO.	DESCRIPTION	QTY	ITEM	PART NO.	DESCRIPTION	QTY
1	See Page 6	Pump, Legacy Axial 2.6 GPM (160cc & 187cc Models)	1	21	9.104-016.0	Q/C Nozzle Kit (0325) (160cc & 187cc Models)	1
	See Page 8	Pump, K4000 (270cc & 389cc Models)	1		9.104-030.0	Q/C Nozzle Kit (040) (389cc Model)	1
2	9.194-015.0	Engine -Honda GC 160 QHA (160cc Model)	1		8.751-357.0	Q/C Nozzle Kit (045) (270cc Model)	1
	8.754-780.0	Honda Engine GC190 (187cc Model)	1	22	9.142-010.0	Hanger Weld Assy 45DEG Left 1 (160cc & 187cc Models)	1
	8.750-680.0	Engine, Honda GX270QAG2 (270cc Model)	1	23	9.802-786.0	Nut, 5/16, Hex, NC	2
	8.750-580.0	Engine, Honda, GX390QA2 (389cc Model)	1	24	9.198-003.0	5/16 Int. L/W .332 ID X .620	2
3	9.197-010.0	1/4-20" Nylon Insert Lock Nut with Flang (270cc & 389cc Models)	4	25	8.767-003.0	1/4-20 Star Knob without logo	2
4	6.965-007.0	5/16-24X1 GR 5 SHCS	4	26	9.196-307.0	1/4-20 x 1-1/2 GR 2 Hex Bolt	2
5	9.802-813.0	Washer, 5/16" Split Ring Lock	4	27	4.862-225.0	▲ Filter chemistry regulation	1
6	9.802-776.0	Nut, 5/16-18, ESNA (160cc & 187cc Models)	4	28	6.388-216.0	▲ Hose DN 5	1
	9.197-003.0	3/8-16 NE Nylon Insert (270cc & 389cc Models)	4	29	9.140-131.0	Powder Coated Handle	1
7	8.718-980.0	Washer, 5/16" Flat (160cc & 187cc Models)	8	30	9.112-017.0	AI5 Gun 4000 PSI	1
	9.198-004.0	3/8 USS F/W Zinc (270cc & 389cc Models)	8	31	9.112-533.0	Lance-AL Quick Connect-Male 3000 PSI	1
8	9.186-010.0	5/16-18 X 1-1/2 GR 5 (160cc & 187cc Models)	4	32	9.162-320.0	HP Hose 50' Rubber DN6/210 (160cc & 187cc Models)	1
	9.186-021.0	3/8-16 X 2 GR 5 (270cc & 389cc Models)	4		9.162-323.0	HP Hose DN8/50'/4000 (270cc & 389cc Models)	1
9	9.115-090.0	Powder Coated Frame	1	33	9.802-064.0	Grommet, Rubber, Nozzle Holder	5
10	8.754-186.0	Qh Wheel Assy, 10" Gray Steel Rim W/Tube	2	34	6.362-612.0	O-Ring seal 24,77x5,33-NBR70 (270cc & 389cc Models)	1
11	9.182-506.0	Cap Black Plastic 5/8"	2	35	9.142-009.0	Hanger Weld Assy 45° (270cc & 389cc Models)	1
12	9.183-001.0	Black, Plug Plastic	2	36	9.162-154.0	H.P. Hose 3FT. 250BAR (270cc & 389cc Models)	1
13	9.183-409.0	Rubber Dampener 5/16" typ A (160cc & 187cc Models)	2	37	9.804-067.0	Hose Reel, EZEE 3/8x100' w/PINLOCK (270cc & 389cc Models)	1
	9.183-405.0	Rubber Dampener 5/16" typ B (270cc & 389cc Models)	2	38	9.802-781.0	Nut, 3/8" NC, Whiz Loc Flange (270cc & 389cc Models)	4
14	9.196-308.0	5/16-18 X 1/2 Carriage Bolt	2	39	9.802-767.0	Screw, 3/8" x 3/4" NC, Whiz Loc Flange (270cc & 389cc Models)	4
15	8.751-142.0	SCR, 1/4-20 X 1.75 Carriage (270cc & 389cc Models)	4	40	8.707-185.0	Nipple, 3/8"MPT X M22, Twist Couple (270cc & 389cc Models)	1
16	5.389-000.0	Warning Label	1			▲ Not Shown	
17	8.751-096.0	Label, Regulation4442.6	1				
18	8.918-645.0	HD Hose Reel Bracket Painted (270cc & 389cc Models)	1				
19	9.802-041.0	Elbow, 3/8" Street, 45° (270cc & 389cc Models)	1				
20	8.753-547.0	Label, KG Series, GC (160cc & 187cc Models)	1				
	8.753-557.0	Label, KG Series, GX (270cc & 389cc Models)	1				

LEGACY AXIAL PUMP EXPLODED VIEW AND PARTS LIST

8.920-004.0



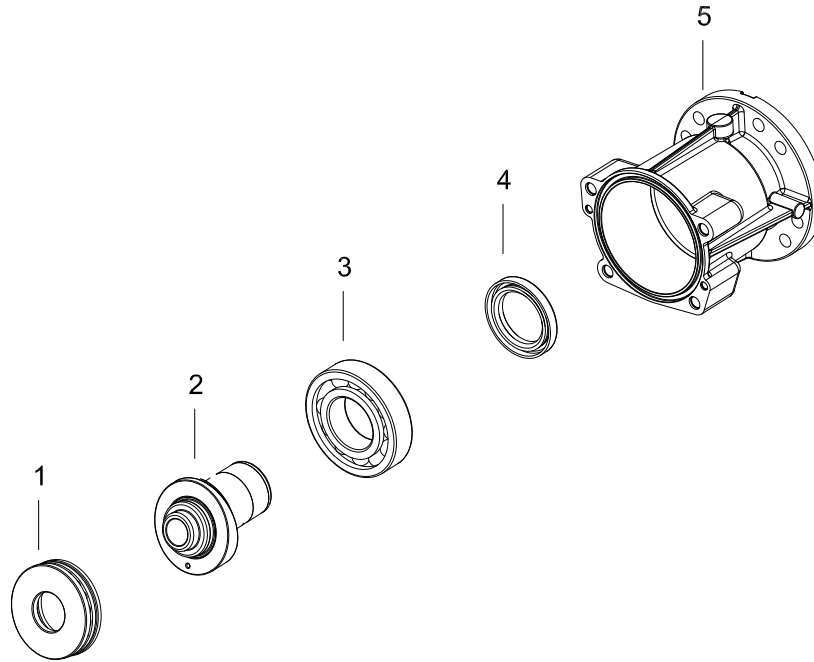
ITEM	PART #	DESCRIPTION	QTY
1	8.762-010.0	Cylinder Head	1
2	9.175-004.0	Valve Assy Horizontal	3
3	2.884-916.0	Valve Complete (Kit 3)	1
4	5.443-448.0	Nipple Chemistry	1
5	6.362-451.0	O-Ring Seal 8.0 x 1.0	1
6	6.362-175.0	O-Ring Seal, 5.28 x 1.78	1
7	7.401-909.0	Sphere 7 G40 - 1.4401	1
8	5.110-714.0	Sleeve	1
9	5.332-258.0	Helical Spring	1
10	9.139-372.0	Nozzle, INS 020/021 Pump	1
11	9.184-018.0	Outlet-Thermal Valve	1
12	6.362-480.0	O-Ring Seal, 12.42 x 1.78	1
13	7.362-507.0	O-Ring Seal 8 x 2 NBR 90	1
14	6.413-403.0	Thermo Valve Tin Coated	1

ITEM	PART #	DESCRIPTION	QTY
15	5.332-290.0	Helical Spring	1
16	9.175-005.0	Unloader Assembly	1
17	4.132-007.0	Drain Plug Replacement	1
18	5.003-062.0	Plate	1
19	9.177-301.0	Hich Pressure Seal	3
20	9.177-310.0	Back Ring	3
21	6.362-833.0	O-Ring Seal 12.5 x 1.73	3
22	9.155-011.0	Housing Low Pressure Seal	3
23	6.363-058.0	Grooved Ring	3
24	9.134-016.0	Spacer	3
25	6.365-393.0	Oil Sealing 12.20x4/6	3
26	9.133-007.0	Piston Guide	1
27	6.362-390.0	O-Ring Seal 15.6 x 1.8	1
28	9.134-019.0	Male Adapter	1
29	9.181-005.0	Filter Seal	1
30	9.154-044.0	Nut, Garden hose connector	1
31	8.751-121.0	◆Gooseneck, Hose Adapter (For pump guard or Filters)	1
32	9.139-370.0	Spare Part List, Piston	1
33	6.362-471.0	O-Ring Seal 80.0x3.0 NBR70	1

◆Not Included

LEGACY AXIAL PUMP EXPLODED VIEW AND PARTS LIST

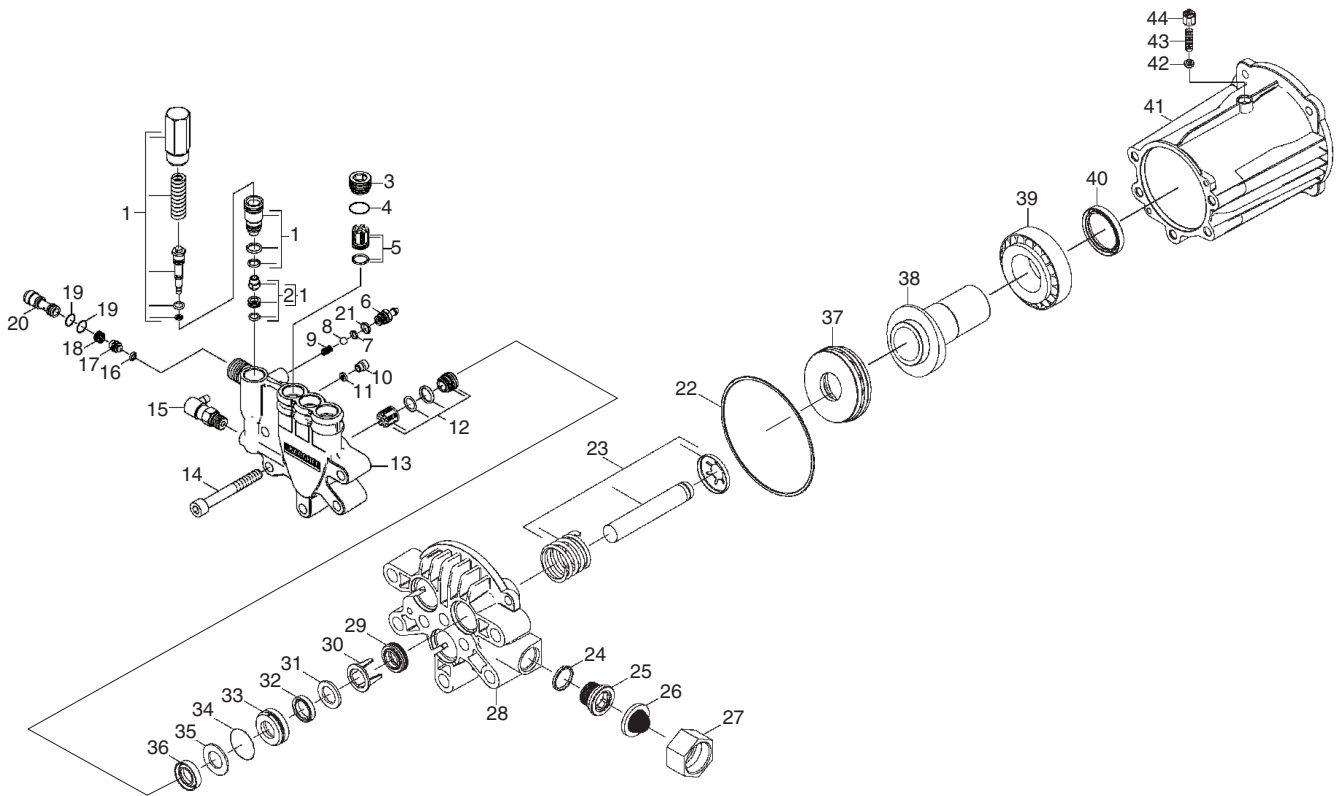
8.920-004.0 Housing View



ITEM	PART #	DESCRIPTION	QTY
1	9.166-016.0	Grooved Ball Bearing	1
2	9.135-018.0	Swash Plate Hor.	1
3	9.165-356.0	Ball Bearing No 6207	1
4	9.177-314.0	Radial Seal 35 x 52 x 7	1
5	9.135-016.0	Oil Housing	1

K4000 PUMP EXPLODED VIEW AND PARTS LIST

9.120-019.0



ITEM	PART NO.	DESCRIPTION	QTY
1	9.175-011.0	Unloader Assy (9.120-019.0) Pump	1
2	9.139-359.0	Spare parts set seat excess-current	1
3	9.154-047.0	Plug M22x1	3
4	6.362-481.0	O-Ring seal 14,0 x 2,0 NBR 80	3
5	2.884-512.0	Valve (Set With 3 pc.)	1
6	5.443-448.0	Nipple chemistry	1
7	6.362-175.0	O-Ring seal 5,28x 1,78	1
8	7.401-908.0	Sphere 7 G300 -1.4301 DIN 5401	1
9	5.332-258.0	Helical spring	1
10	9.154-049.0	Plug M10x1	1
11	9.151-014.0	Rupture Disk, 5000 \PSI, Blue	1
12	9.139-364.0	Spare Part List 019 (Set With 3 pc.)	1
13	9.135-012.0	Cylinder Head-Machined	1
14	7.306-072.0	Cylinder head screw M10X 80-8.8-A3E IS	5
15	9.184-013.0	Thermal Relief Valve	1
16	6.362-851.0	O-Ring seal 4 x 2 NBR 90	1
17	9.184-012.0	Valve Pin-Back Pressure	1
18	9.157-006.0	Spring-Valve Pin	1
19	6.362-384.0	O-Ring seal 9x1,5 - NBR 70 2	1
20	5.769-141.0	Nozzle insert	1
21	6.362-451.0	O-Ring seal 8,0 x 1,0	1
22	6.363-067.0	O-Ring seal 92X2 NBR 70	1

ITEM	PART NO.	DESCRIPTION	QTY
23	9.139-358.0	Spare Part of Piston (Set With 3 pc.)	1
24	6.362-390.0	O-Ring seal 15,6 X 1,78	1
25	9.134-019.0	Male Adapter	1
26	9.181-005.0	Filter Seal-Hose Connector	1
27	9.155-013.0	Female Hose Connector	1
28	9.135-013.0	Piston Guide-4000 psi	1
29	6.365-340.0	Grooved ring 14X22X5/7	3
30	9.182-356.0	Spacer	3
31	9.177-311.0	Back Ring-Low Pressure Seal	3
32	6.365-438.0	Compact seal	3
33	9.155-014.0	Housing-Low Pressure Seal	3
34	6.362-376.0	O-Ring seal 24,0 X 1,5	3
35	9.177-312.0	Back Ring-High Pressure Seal	3
36	9.177-313.0	Seal high pressure	3
37	4.401-096.0	Deep groove ball thrust bearing only for	1
38	9.165-256.0	Swash Plate-Machined	1
39	6.401-225.0	Taper roller bearing 41	1
40	7.367-011.0	Radial shaft seal ring A40x52x7-NBR DIN	1
41	9.135-014.0	Oil Housing-Machined	1
42	5.582-080.0	Valve disc	1
43	5.332-209.0	Helical spring	1
44	5.030-533.0	Moulded part	1