

PARTS LIST MANUAL

8" SCARI-LITE MINI-PLANERS

Model
CPL8-1.5L

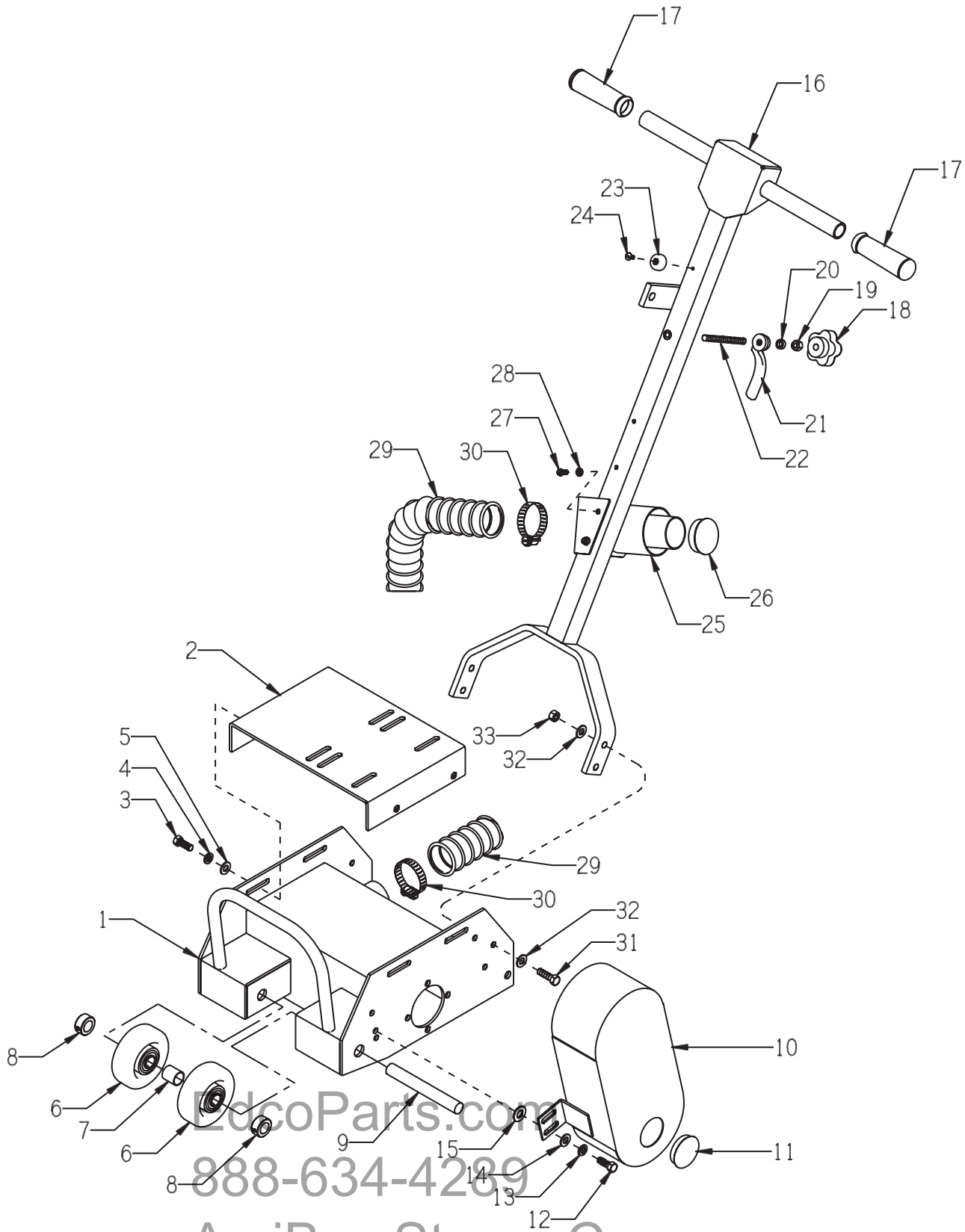


Model
CPL8-5.5H

8" SCARI-LITE MINI-PLANERS

| SKU # | MODEL # | POWER OPTION |
|-------|------------|--|
| 69300 | CPL8-1.5L | LEESON ELECTRIC MOTOR 1.5HP 60Hz 1-PHASE 115/230V |
| 69400 | CPL8-1.75L | LEESON ELECTRIC MOTOR 1.75HP 50Hz 1-PHASE 110/220V |
| 69500 | CPL8-5.5H | HONDA GASOLINE ENGINE MODEL GX160 W/ CYCLONE A.C. |

ILLUSTRATION 1: FRAME GROUPING



EdcoParts.com
888-634-4289
An iBuy Stores Company

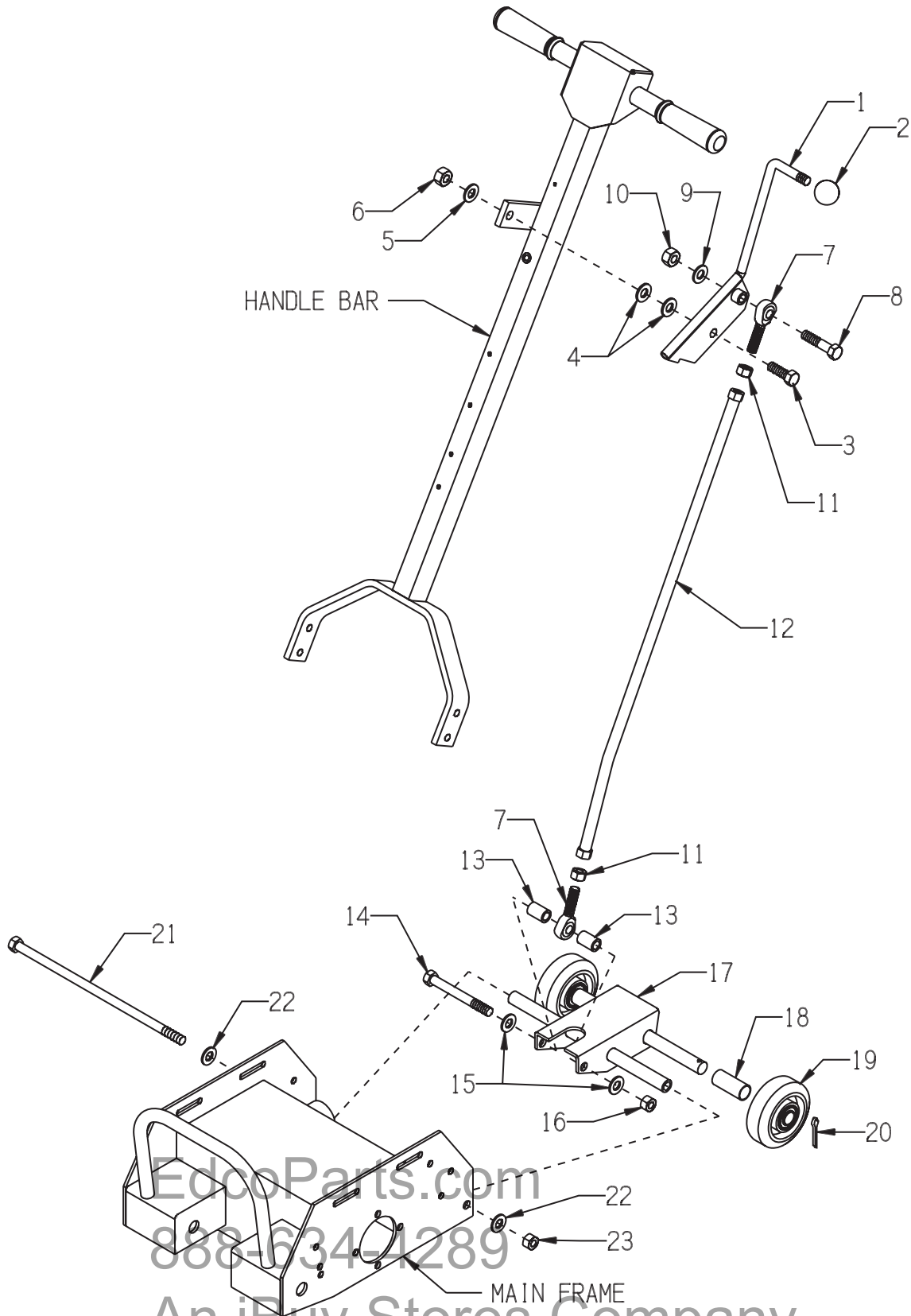
| PARTS LISTING - ILLUSTRATION 1 : FRAME GROUPING | | | |
|---|--------|---|------|
| ITEM # | PART # | DESCRIPTION | QTY. |
| 1 | 66301 | MAIN FRAME | 1 |
| 2 | 66305 | MOUNT, MOTOR/ENGINE | 1 |
| 3 | 10055 | SCREW, CAP 3/8-16 X 1 | 4 |
| 4 | 10811 | WASHER, LOCK 3/8 | 4 |
| 5 | 10025 | WASHER, FLAT 3/8 SAE | 4 |
| 6 | 52001 | WHEEL 4 X 1-1/2 X 3/4"BRG. ALUM./RUBBER | 2 |
| 7 | 52010 | SPACER, FRONT WHEEL 3/4ID X 15/16 | 1 |
| 8 | 10428 | COLLAR, LOCKING 3/4"ID | 2 |
| 9 | 66311 | AXLE, FRONT WHEEL | 1 |
| 10 | 66304 | COVER, BELT | 1 |
| 11 | 65022 | PLUG, HOLE 2" | 1 |
| 12 | 10907 | SCREW, CAP 3/8-16 X 3/4 | 2 |
| 13 | 10811 | WASHER, LOCK 3/8 | 2 |
| 14 | 10025 | WASHER, FLAT 3/8 SAE | 2 |
| 15 | 12230 | CG227 SPACER 1/2"ID (ELECTRIC MODEL ONLY) | 2 |
| 16 | 66303 | HANDLE BAR | 1 |
| 17 | 10608 | GRIP, HAND 1" MODEL AT | 2 |
| 18 | 10923 | KNOB, FLUTED 3/8-16 X 2"DIA. | 1 |
| 19 | 10404 | NUT 3/8-16 | 1 |
| 20 | 10113 | SPACER, STEEL 9/16OD X 3/8ID X 7/32 | 1 |
| 21 | 40044 | NUT, TAIL HANDLE 3/8-16 | 1 |
| 22 | 66314 | ROD, ALLTHREAD 3/8-16 X 4"L | 1 |
| 23 | 52022 | BUMPER, RUBBER 1OD X 3/16ID X 7/16H | 1 |
| 24 | 10830 | SCREW, MACHINE 10-32 X 1/2 | 1 |
| | 10831 | WASHER, LOCK, INT. TOOTH #10 (NOT SHOWN) | 1 |
| 25 | 86347 | BRACKET, MULTI-VAC PORT 2-3" | 1 |
| 26 | 65021 | CAP/PLUG 2" RED PLASTIC, FLANGED | 1 |
| 27 | 10846 | SCREW, CAP STSHW 1/4-20 X 1/2 | 2 |
| 28 | 10038 | WASHER, LOCK 1/4 | 2 |
| 29 | 66313 | HOSE, FLEX 2"ID X 18"L | 1 |
| 30 | 10766 | CLAMP, HOSE, SAE #28, ADJ. TO 2-1/4 | 2 |
| 31 | 10309 | SCREW, CAP 3/8-24 X 1-1/4 | 2 |
| 32 | 10025 | WASHER, FLAT 3/8 SAE | 4 |
| 33 | 10058 | NUT, LOCK 3/8-24 W/NYLON PATCH | 2 |

EcoParts.com

888-634-4289

An iBuy Stores Company

ILLUSTRATION 2 : REAR FORK & CAM LEVER GROUPING



EdcoParts.com

888-634-1289

An iBuy Stores Company

PARTS LISTING - ILLUSTRATION 2 : REAR FORK & CAM LEVER GROUPING

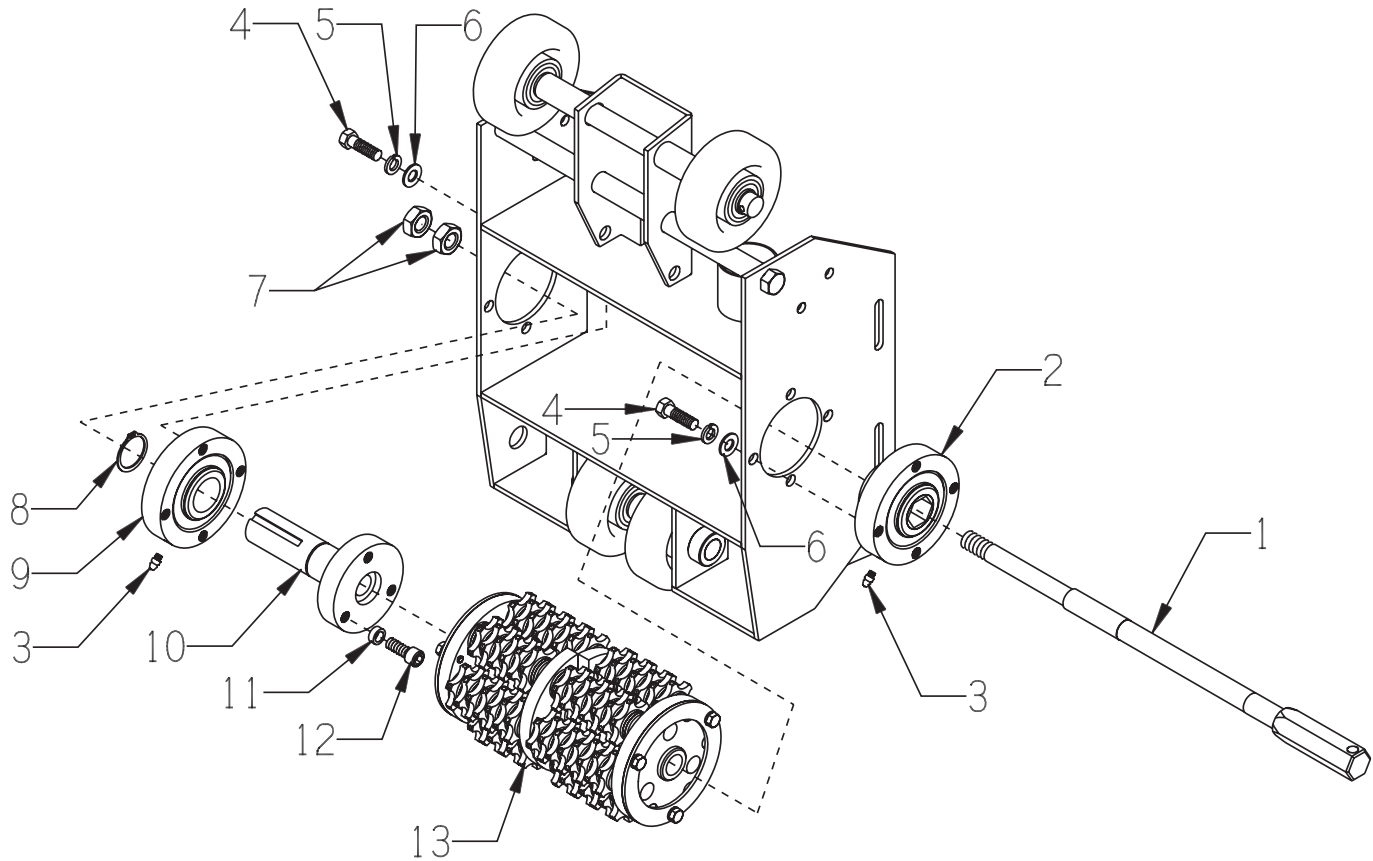
| ITEM # | PART # | DESCRIPTION | QTY. |
|--------|--------|---|------|
| 1 | 66307 | LEVER, CAM | 1 |
| 2 | 14023 | KNOB, BALL 1-3/8 W/ 1/2-13THD, BLK. | 1 |
| 3 | 10308 | SCREW, CAP 1/2-20 X 1-1/2 | 1 |
| 4 | 12230 | CG227 SPACER 1/2"ID | 2 |
| 5 | 10312 | WASHER, FLAT 1/2 SAE | 1 |
| 6 | 10205 | NUT, LOCK 1/2-20 | 1 |
| 7 | 4805 | ROD END, MALE 1/2-20 | 2 |
| 8 | 10347 | SCREW, CAP 1/2-20 X 2-1/4 | 1 |
| 9 | 10312 | WASHER, FLAT 1/2 SAE | 1 |
| 10 | 10154 | NUT, HEX NYLON LOCK 1/2-20 | 1 |
| 11 | 10072 | NUT 1/2-20 | 2 |
| 12 | 66308 | LINKAGE TUBE | 1 |
| 13 | 66306 | SPACER, LINKAGE | 2 |
| 14 | 10386 | SCREW, CAP 1/2-13 X 4-1/2 | 1 |
| 15 | 10312 | WASHER, FLAT 1/2 SAE | 2 |
| 16 | 10154 | NUT, HEX NYLON LOCK 1/2-20 | 1 |
| 17 | 66302 | FORK | 1 |
| 18 | 65005 | SPACER, REAR WHEEL, 2-1/8" | 2 |
| 19 | 52001 | WHEEL 4 X 1-1/2 X 3/4"BRG. ALUM./RUBBER | 2 |
| 20 | 10306 | PIN, COTTER 3/16 X 1-1/2 | 2 |
| 21 | 52014 | SCREW, HEX HD CAP 1/2-13 X 14 | 1 |
| 22 | 10312 | WASHER, FLAT 1/2 SAE | 2 |
| 23 | 10155 | NUT, HEX NYLON LOCK 1/2-13 | 1 |

EdcoParts.com

888-634-4289

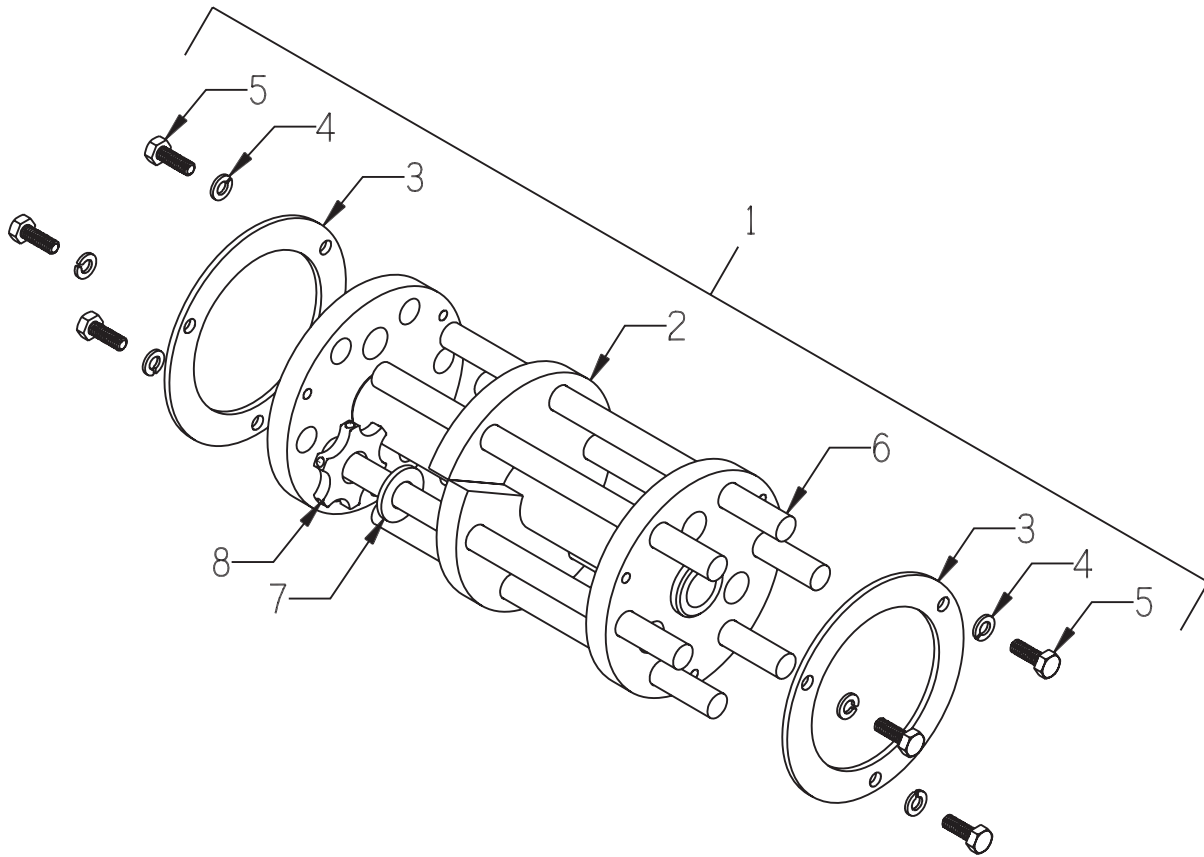
An iBuy Stores Company

ILLUSTRATION 3 : DRUM SHAFT & BEARING GROUPING



| ITEM # | PART # | DESCRIPTION | QTY. |
|--------|--------|---|------|
| 1 | 65037 | DRUM SHAFT 18-3/8"L | 1 |
| 2 | 65057 | BEARING ASSY. COMPLETE, 1"HEX BORE | 1 |
| 3 | 10808 | FITTING, GREASE 1/4-28 STRAIGHT | 2 |
| 4 | 10309 | SCREW, CAP 3/8-24 X 1-1/4 PLATED | 8 |
| 5 | 10811 | WASHER, LOCK 3/8 | 8 |
| 6 | 10025 | WASHER, FLAT 3/8 SAE | 8 |
| 7 | 65039 | NUT, JAM 5/8-11 LEFT-HAND THREAD | 2 |
| 8 | 10873 | RETAINING RING, EXT. 1-1/4" | 1 |
| 9 | 65056 | BEARING ASSY. COMPLETE, 1-1/4"DIA. | 1 |
| 10 | 65038 | DRIVER | 1 |
| 11 | 10114 | SCREW, SKT. HD. CAP 3/8-24 X 2-1/4 | 3 |
| 12 | 10878 | SCREW, SKT. HD. CAP 3/8-24 X 1 | 3 |
| 13 | ----- | CUTTER DRUM ASSY. (REFER TO ILLUSTRATION 4) | 1 |

ILLUSTRATION 4 : CUTTER DRUM ASSEMBLY



| ITEM # | PART # | DESCRIPTION | QTY. |
|--------|--------|---|------|
| 1 | 66309 | DRUM ASSY. COMPLETE, CPL-8 (INCLUDES ITEMS 2-6) | 1 |
| 2 | 66352 | DRUM ONLY | 1 |
| 3 | 66310 | DRUM RETAINING RING | 2 |
| 4 | 10038 | WASHER, LOCK 1/4 | 6 |
| 5 | 10834 | SCREW, CAP 1/4-20 X 1/2 | 6 |
| 6 | 20150 | CP407 SHAFT 1/2 X 8-9/16"L | 6 |
| 7 | 12230 | CG227 SPACER 1/2"ID | * |
| 8 | | CUTTER WHEELS | * |
| | 20156 | CP206T TUNGSTEN CARBIDE 1-3/4"OD X 5/8"ID X 1/4"THK | |
| | 20236 | CP204P POINTED STEEL 1-5/8"OD X 1/2"ID X 1/8"THK | |

*NOTE:

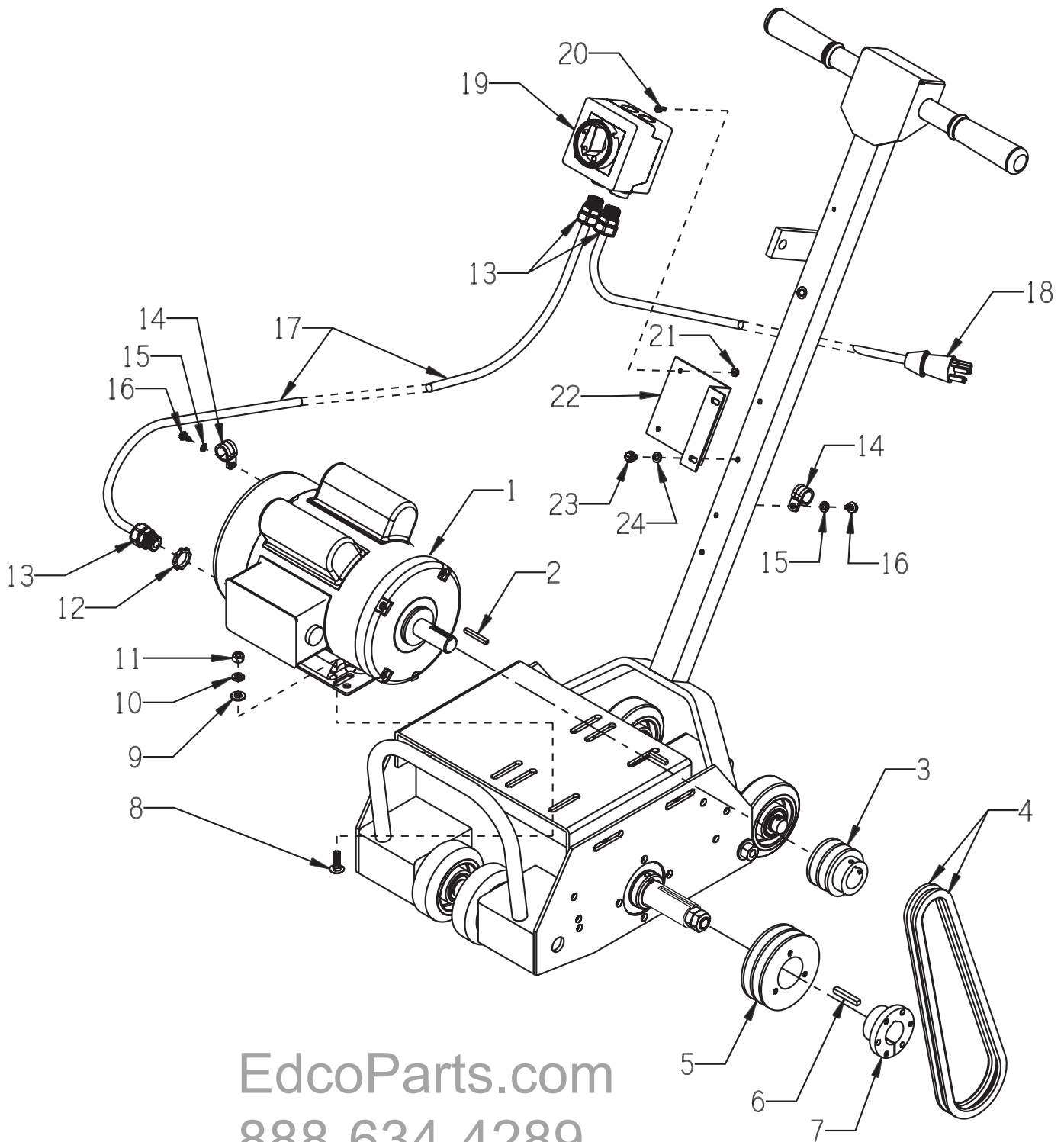
CUTTER WHEELS AND SPACERS ARE NOT INCLUDED WITH THE DRUM ASSEMBLY.
 THE NUMBER OF CUTTER WHEELS AND SPACERS VARY WITH TYPE OF SET-UP USED.
 REFER TO ASSEMBLY INSTRUCTIONS FOR SUGGESTED SET-UPS AND QUANTITIES.

EdcoParts.com

888-634-4289

An iBuy Stores Company

ILLUSTRATION 5: MOTOR & BELT DRIVE GROUPING



EdcoParts.com

888-634-4289

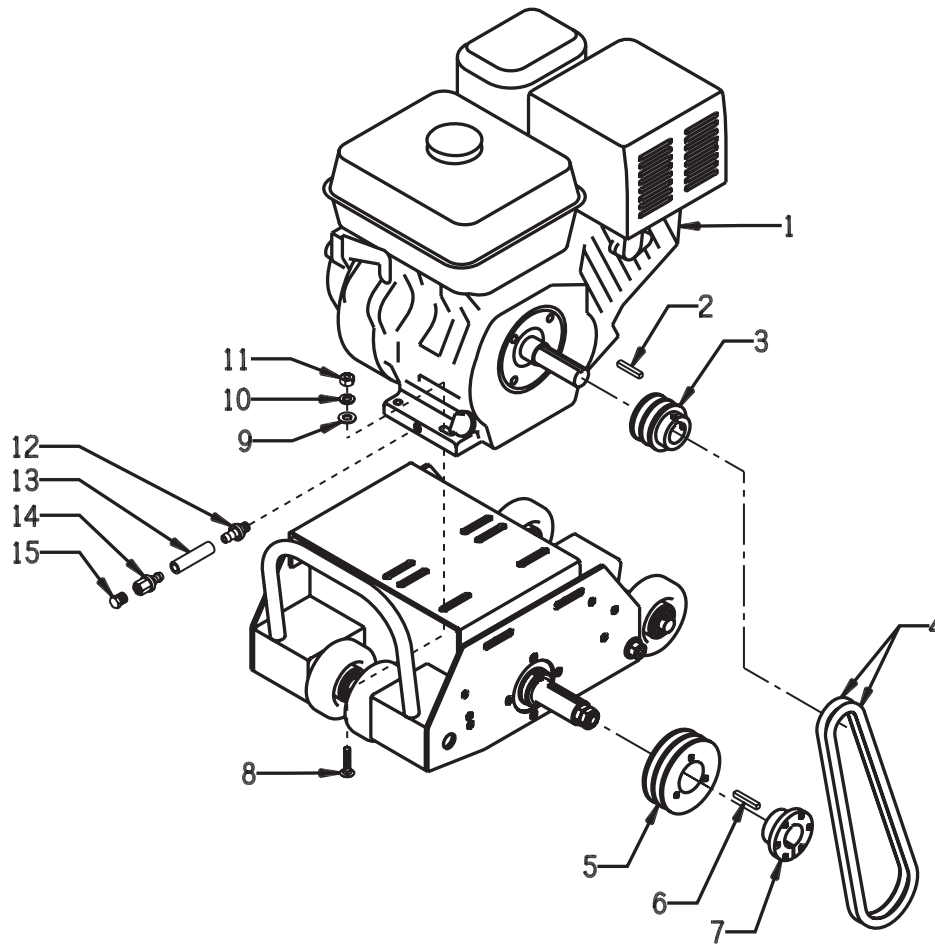
An iBuy Stores Company

PARTS LISTING - ILLUSTRATION 5 : MOTOR & BELT DRIVE GROUPING

| ITEM # | PART # | DESCRIPTION | QTY. |
|--------|--------------|--|----------|
| 1 | 16035 | MOTOR, LEESON 1.5HP-1P-60HZ-1725RPM-115/230V | 1 |
| | | <u>REPLACEMENT PARTS:</u> | |
| | 16178 | CAPACITOR, START, LEESON 003025.15 (500MFD 125V) | 1 |
| | 16159 | CAPACITOR, RUN, LEESON 003014.20 (20MFD 240V) | 1 |
| | 16179 | RESET BUTTON, LEESON 300033.02 (CED2705) | 1 |
| | 16060 | MOTOR, LEESON 1.75HP-1PH-50HZ-1425RPM-110/220V | 1 |
| | | <u>REPLACEMENT PARTS:</u> | |
| | 16191 | CAPACITOR, START, LEESON 003025.11 (650MFD 125V) | 1 |
| | 16183 | CAPACITOR, RUN, LEESON 003025.15 (500MFD 125V) | 1 |
| | 16133 | RESET BUTTON, LEESON 2HP (BRJ42DA) | 1 |
| 2 | ----- | KEY 3/16"SQ. (INCLUDED W/ MOTOR) | 1 |
| 3 | 66315 | SHEAVE 2.5"OD X 2GR.A X 7/8"BORE (1.50HP 60Hz MOTOR) | 1 |
| | 66316 | SHEAVE 3.0"OD X 2GR.A X 7/8"BORE (1.75HP 50Hz MOTOR) | 1 |
| 4 | 10253 | BELT AX-27 (1.50HP 60Hz MOTOR) | 2 |
| | 10252 | BELT AP-26 (1.75HP 50Hz MOTOR) | 2 |
| 5 | 65045 | SHEAVE 4.05"OD X 2GR.A X SH (1.50HP 60Hz MOTOR) | 1 |
| | 66317 | SHEAVE 3.0"OD X 2GR.A X 1-1/4"B (1.75HP 50Hz MOTOR) | 1 |
| 6 | 40317 | KEY 1/4SQ X 1-5/8 | 1 |
| 7 | 10505 | BUSHING, SHEAVE SH X 1-1/4"BORE (1.50HP 60Hz MOTOR) INCLUDES HARDWARE NOT SHOWN | 1 |
| 8 | 10918 | BOLT, CARRIAGE 5/16-18 X 3/4 | 4 |
| 9 | 10213 | WASHER, FLAT 5/16 SAE | 4 |
| 10 | 10801 | WASHER, LOCK 5/16 | 4 |
| 11 | 10054 | NUT 5/16-18 | 4 |
| 12 | 10790 | CONDUIT LOCK NUT 1/2 NP | 1 |
| 13 | 40066 | STRAIN RELIEF 1/2NPT X .350-.450" | 3 |
| 14 | 11690 | CLAMP, LOOM, 3/8" | 2 |
| 15 | 10831 | WASHER, LOCK, INT. TOOTH #10 | 2 |
| 16 | 10877 | SCREW, CAP STSHW 10-24 X 1/2 | 2 |
| 17 | 77045 | WIRE HARNESS 12/3 X 42"LOA | 1 |
| *18 | 86422 | CORD W/ PLUG, 25FT. POWER | 1 |
| 19 | 77043 | SWITCH, ROTARY CAM ON/OFF, LOVATO | 1 |
| 20 | 11663 | SCREW, MACHINE 8-32 X 1/2 | 4 |
| 21 | 10462 | NUT, KEPS 8-32 | 4 |
| 22 | 77042 | BRACKET, LOVATO ROTARY CAM SWITCH | 1 |
| 23 | 10846 | SCREW, CAP STSHW 1/4-20 X 1/2 | 2 |
| 24 | 10038 | WASHER, LOCK 1/4 | 2 |

*NOTE: POWER CORD INCLUDES A STRAIGHT BLADE PLUG FOR 115V ONLY.
OTHER POWER OPTIONS DO NOT INCLUDE A PLUG WITH THE POWER CORD.

ILLUSTRATION 6 : ENGINE & BELT DRIVE GROUPING



| ITEM # | PART # | DESCRIPTION | QTY. |
|--------|--------|--|------|
| 1 | 40387 | ENGINE, HONDA GX160U1-QXC9 CYCLONE AIR CLEANER | 1 |
| 2 | ----- | KEY 3/16SQ (INCLUDED W/ ENGINE) | 1 |
| 3 | 10559 | SHEAVE 2.5"OD X 2GR.A X 3/4"BORE | 1 |
| 4 | 10259 | BELT AP-29 | 2 |
| 5 | 65045 | SHEAVE 4.05"OD X 2GR.A X SH | 1 |
| 6 | 40317 | KEY 1/4SQ X 1-5/8 | 1 |
| 7 | 10505 | BUSHING, SHEAVE SH X 1-1/4"BORE (INCLUDES HARDWARE NOT SHOWN) | 1 |
| 8 | 10817 | BOLT, CARRIAGE 5/16-18 X 1-1/2 F.T | 4 |
| 9 | 10213 | WASHER, FLAT 5/16 SAE | 4 |
| 10 | 10801 | WASHER, LOCK 5/16 | 4 |
| 11 | 10054 | NUT 5/16-18 | 4 |
| 12 | 11541 | BARB, PUSH-ON 3/8 HOSE X10MM X 1.25 | 1 |
| 13 | 56116 | HOSE, PUSH-ON 3/8"ID X 3"L | 1 |
| 14 | 11544 | BARB, PUSH-ON 3/8 HOSE X 1/4FPT | 1 |
| 15 | 10776 | PIPE PLUG 1/4 NPT (BRASS) | 1 |