

P/N 725,035M REV. E 03/2010



OTL Report No. 116-F-32-5

Direct-Vent

MODELS

Millivolt Models

SSDVST-CNM-B
SSDVPF-CNM-B

Electronic Models

SSDVST-CNE-B
SSDVPF-CNE-B

Ce manuel d'installation est disponible en français, simplement en faire la demande. Numéro de la pièce 725,035CF

WARNING AVERTISSEMENT

**HOT GLASS WILL
CAUSE BURNS.**

**DO NOT TOUCH GLASS
UNTIL COOLED.**

**NEVER ALLOW CHILDREN TO
TOUCH GLASS.**



**UNE SURFACE VITRÉE CHAUDE PEUT
CAUSER DES BRÛLURES.**

**LAISSER REFROIDIR LA SURFACE
VITRÉE AVANT D'Y TOUCHER.**

**NE PERMETTEZ JAMAIS À UN ENFANT
DE TOUCHER LA SURFACE VITRÉE.**

WARNING: If the information in these instructions is not followed exactly, a fire or explosion may result causing property damage, personal injury or death.

- Do not store or use gasoline or other flammable vapors and liquids in the vicinity of this or any other appliance.

- WHAT TO DO IF YOU SMELL GAS

- Do not try to light any appliance.
- Do not touch any electrical switch; do not use any phone in your building.
- Immediately call your gas supplier from a neighbor's phone. Follow the gas supplier's instructions.
- If you cannot reach your gas supplier, call the fire department.

- Installation and service must be performed by a qualified installer, service agency or the gas supplier.

**INSTALLER: Leave this manual with the appliance.
CONSUMER: Retain this manual for future reference.**

**INSTALLATEUR: Laissez cette notice avec l'appareil.
CONSOMMATEUR: Conservez cette notice pour consultation ultérieure.**

AVERTISSEMENT: Assurez-vous de bien suivre les instructions données dans cette notice pour réduire au minimum le risque d'incendie ou d'explosion ou pour éviter tout dommage matériel, toute blessure ou la mort.

- Ne pas entreposer ni utiliser d'essence ni d'autres vapeurs ou liquides inflammables dans le voisinage de cet appareil ou de tout autre appareil.

- QUE FAIRE SI VOUS SENTEZ UNE ODEUR DE GAZ:

- Ne pas tenter d'allumer d'appareil.
- Ne touchez à aucun interrupteur. Ne pas vous servir des téléphones se trouvant dans le bâtiment où vous trouvez.
- Appelez immédiatement votre fournisseur de gaz depuis un voisin. Suivez les instructions du fournisseur.
- Si vous ne pouvez rejoindre le fournisseur de gaz, appelez le service des incendies.

- L'installation et l'entretien doivent être assurés par un installateur ou un service d'entretien qualifié ou par le fournisseur de gaz.

ACCESSORY COMPONENTS

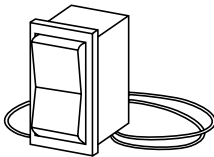
PRODUCT REFERENCE INFORMATION			
Cat. No.	Model	Ship Wt.	Ship. Volume
H3335	SSDVPF-CNM	270 lbs	52W x 27D x 44 1/2H (36.2 cu.ft.)
H3336	SSDVPF-CNE	270 lbs	52W x 27D x 44 1/2H (36.2 cu.ft.)
H3333	SSDVST-CNM	282 lbs	52W x 27D x 44 1/2H (36.2 cu.ft.)
H3334	SSDVST-CNE	282 lbs	52W x 27D x 44 1/2H (36.2 cu.ft.)



Digital Wall Thermostat

The wall thermostat kit provides temperature control for optimum comfort.

Wall Thermostat, Millivolt		
Cat. No.	Model No.	Description
H4635	DWTK	Wall Thermostat Kit, White



Unit-Mountable Rocker Switch

This rocker switch kit can be installed directly in the gas valve mounting bracket (millivolt gas valve equipped fireplaces) to provide On/Off operation in lieu of a wall switch.

Rocker Switch Kit		
Cat. No.	Model No.	Description
80L41	FRS	Rocker Switch Kit

(ref. Form # 750,037M)



Standard Remote Control System

The Model RCL (Standard) Remote Control System, features a simplistic OFF/ON control function for the fireplace. This model includes a hand-held transmitter, a remote receiver with wall-mount cover plate and all hardware required to install the unit. The remote receiver can be wall or hearth mounted.

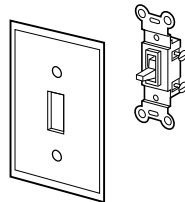
The transmitter has ON and OFF functions that are activated by pressing either button on the face of the transmitter. When a button on the transmitter is pressed, a signal light illuminates briefly to verify that a signal has been sent.

The Model RCL is designed to operate with all millivolt ignition systems, as well as electronic ignition systems. It may be installed with use for either natural gas or propane gas appliances. The RCL offers ease of installation and allows you to execute on-off commands to the fireplace effortlessly with one simple motion.

The Model RCL comes complete with detailed operating instructions.

Remote Control Kit, Standard		
Cat. No.	Model No.	Description
H0249	RCL	Remote Control System (Standard)

(ref. Form # 750,127M)



OFF/ON Wall Switch Kit

The OFF/ON wall switch kit may be used to control the operation of the fireplace burner or blower. Install the OFF/ON wall switch in a convenient location near the fireplace.

White Wall Switch Kit		
Cat. No.	Model No.	Description
85L87	FWSK	OFF/ON Wall Switch Kit



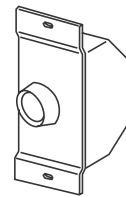
Deluxe Remote Control System

The Model RCL-T (Deluxe) Remote Control System has all of the features of the standard system along with an added easy to read LCD screen which presents access to many enhancements, including; battery power level indicator, timer, mode of operation, thermostatic display including room temperature in either metric or English units, flame indicator and clock. Fully programmable, the Model RCL-T allows for virtual command over nearly all operational and temperature variables, using the hand held remote control transmitter.

The Model RCL-T (Deluxe) remote control system is installed in the same manner as the standard system, may be operated with electronic and millivolt systems with either natural gas or propane gas. The RCL-T comes complete with detailed operating instructions.

Remote Control Kit, Deluxe		
Cat. No.	Model No.	Description
H0251	RCL-STAT	Remote Control System (Deluxe)

(ref. Form # 750,129M)



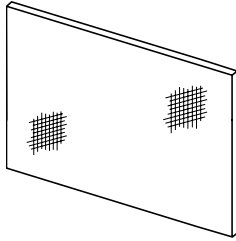
Variable Speed Wall Switch

Provides variable speed control if optional blower kit is purchased.

Variable Speed Wall Switch		
Cat. No.	Model No.	Description
045571H	VSWS	Variable Speed Switch

NOTE: DIAGRAMS & ILLUSTRATIONS ARE NOT TO SCALE.

ACCESSORY COMPONENTS (CONTINUED)

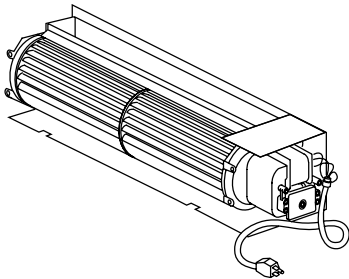


Barrier Screen Panel Kits		
Cat. No.	Model No.	Models Where Used
26M49	HG40M	40 inch Wide Glass Door
98K74	HG24	24 Inch Wide Glass Door

(ref. Form # 750,101M)

Barrier Screen Panel Kit

This easy to install optional screen panel installs over the standard glass enclosure panel to prevent contact with the hot glass surface. These screen panels cannot be used in conjunction with the arch door kits or door frame kits.



Forced Air Blower Kits		
Cat. No.	Model No.	Description
80L84	FBK-100	Blower, Standard (single speed)
80L85	FBK-200	Blower, Variable Speed (w/wall-mounted switch)
80L86	FBK-250	Blower, Variable Speed (w/unit-mounted switch)
94L89	FBK-100-36	Blower, Standard, 36 Pack
94L90	FBK-200-36	Blower Kit - Variable Speed with Wall Switch 36 Pack
H0543	FBK-250-36	Blower Kit - Variable Speed with Thermo Snap Switch 36 Pack

(ref. Form # 750,028M & 750,029M)

Forced Air Kit

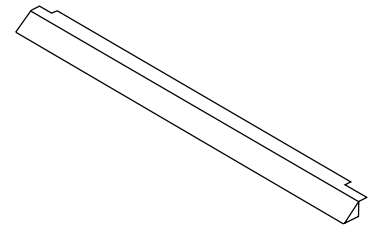
The FBK-100 blower provides constant velocity forced air circulation. The FBK-200 assembly with variable speed, wall-mountable switch provides variable speed forced air circulation. The FBK-250 assembly with variable speed unit-mountable switch, also provides variable speed forced air circulation.

Note: Door & Trim Kits are for 1 side only

Eyebrow Hood Kits				
Polished Brass		Brushed Stainless		Where Used
Cat. #	Model	Cat. #	Model	
98K28	EB24PB	88L47	EB24BS	24"
96K68	EB40PB	88L50	EB40BS	40"

* These hood kits replace the standard hood that comes with these fireplaces.

(ref. Form #504,142M)

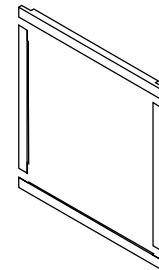


Polished Brass & Brushed Stainless Hood Kits

Attractive hoods are available in two styles. These hoods are designed to be fitted to the glass viewing sides of the appliance. In addition to providing an aesthetically pleasing appearance to your appliance installation, the hood reduces heat effects to decorative mantles and finish materials located above the fireplace opening. The hood kit replaces the standard hood that comes with these appliances and snaps into place. These kits can be retrofitted to previously installed appliances.

4 Piece Door Trim Kits				
Polished Brass		Brushed Stainless		Where Used
Cat. #	Model	Cat. #	Model	
26M83	4DFK40PB	26M86	4DFK40BS	40"

(ref. Form # 750,098M)



Door Frame Kits

A decorative door frame kit is available for use with these appliances. It is designed to attach directly to the front face of the appliance at the four edges of the glass enclosure panel resulting in the appearance of a picture frame.

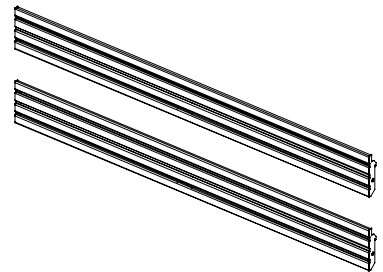
* Assembled 8-Piece Louver Kits				
Polished Brass		Brushed Stainless		Where Used
Cat. #	Model	Cat. #	Model	
H1530	LKE-600B	H1531	LKE-600BS	24"
*H1526	LK-600B	*H1527	LK-600BS	40"

(ref. Form # 750,166M)

* Superior Nameplate Logo, 56L93, is not included.

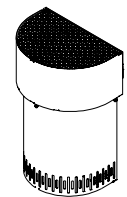
Polished Brass and Brushed Stainless Louvers Kits

These kits include a top 4-louver assembly and a bottom 4-louver assembly. They provide a touch of elegance. These kits can be retrofitted to previously installed appliances.

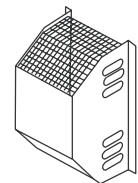


Termination Guard Kits (all models)		
Cat. No.	Model No.	Description
H5820	4.5HTSK	Termination Shroud
87L02	SV4.5HGS	Termination Guard, Deluxe
17M52	SV4.5HGS-1	Termination Guard, Square

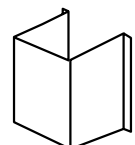
Termination Shroud
(ref. Form # 750,246M)



Deluxe Termination
(ref. Form # 750,055M)



Square Termination
(ref. Form # 750,109M)



Termination Guard Kits

The vent termination guards may be used to cover the vent termination on the exterior of the home to minimize exposure to the hot surface of the termination.

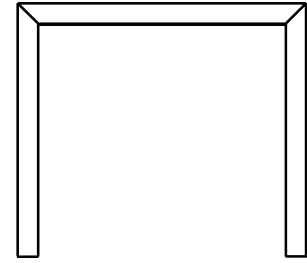
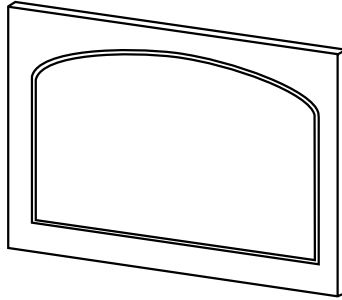
NOTE: DIAGRAMS & ILLUSTRATIONS ARE NOT TO SCALE.

ACCESSORY COMPONENTS (CONTINUED)

Arch Door Kit - Polished Brass		
Cat. No.	Model	Where Used
80L95	ADKE-60B	24"
80L93	ADK-6/60B	40"

Arch Door Kit - Brushed Stainless Steel		
Cat. No.	Model	Where Used
81L05	ADKE-60P	24"
81L03	ADK-6/60P	40"

(ref. Form # 750,021M)



3 Piece Trim Kit (SSDVST only)		
Cat. No.	Model No.	Description
96K22	TK40PB3	40" Polished Brass
H1816	TK40BS3	40" Brushed Stainless
H4823	TK40C3	40" Black

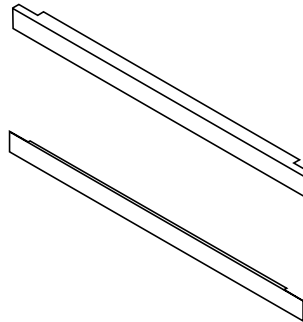
(ref. Form # 750,147M)

Arch Door Kits

The arch door kits are easy to install and do not require hardware to attach them to the standard door frame. The decorative arch kits can not be used in conjunction with the screen panel kit.

2- Piece Door Frame Kits				
Polished Brass		Brushed Stainless		Where Used
Cat. #	Model	Cat. #	Model	
26M94	DTKE-6B	26M95	DTKE-6BS	24"
19M89	DTK-6B	19M90	DTK-6BS	40"

(ref. Form # 750,098M)



2-Piece Door Trim Kits

These kits are designed to attach directly to the front face of the fireplace at the top and bottom edges of the glass enclosure panel.

Touch-Up Paint Kits (all models)		
Cat. No.	Model No.	Description
90L73	TPK-B	Touch-Up Paint (Black)

(ref. Form # 750,050M)

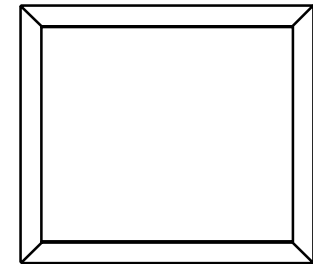
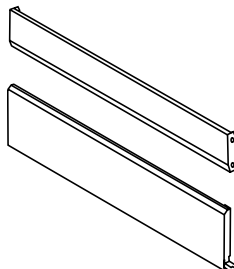


Touch-Up Paint Kit

Repair of minor scratches and discoloration of the appliance painted surfaces may be accomplished with the touch-up paint kit.

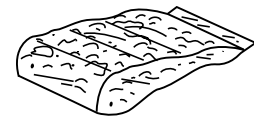
Radiant Panel Kits		
Cat. #	Model	Where Used
80L79	CFPKE60	24"
80L77	CFPK-6/60	40"

(ref. Form # 750,030M)



4 Piece Trim Kit (SSDVST only)		
Cat. No.	Model No.	Description
96K18	TK40PB4	40" 4 Piece Finish Trim Kit, Polished Brass

(ref. Form # 750,147M)



Decorative Firebox Accessories (all models)		
Cat. No.	Model No.	Description
88L53	FGE	Bag of Glowing Embers (1 oz. rockwool)
80L42	FDVS	Bag of Decorative Volcanic Stone

(FDVS ref. Form #750,010M)

Bag of Glowing Embers

Bag of Volcanic Stone

Replacement ember materials or volcanic stone are available for use with these appliances. Order kits as part of the periodic maintenance of the appliance.

REPLACEMENT PARTS LIST

MISC. COMPONENTS				
Item	Cat.No	Description	Qty.	Where Used
1a	98K95	Hood, Black - 24 in.	1	SSDVPF
1b	97K52	Hood, Black - 40 in.	2	All Models
2a	H3437	Upper Louver Panel, Black - 24 in.	1	SSDVPF
2b	H3377	Upper Louver Panel, Black - 40 in.	2	All Models
3a	H3725	Glass Enclosure Assembly - 24 in.	1	SSDVPF
3b	H3724	Glass Enclosure Assembly - 40 in.	2	All Models
4a	H3438	Lower Louver Panel, Black - 24 in.	1	SSDVPF
4b	H3380	* Lower Louver Panel, Black - 40 in.	2	All Models
5	56L93	Nameplate Logo (Brand)	2	All Models
6	69L62	Log Set	1	All Models
7	88L53	Bag of Glowing Gas Embers	1	All Models
8	80L42	Bag of Decorative Volcanic Stone	2	All Models
10a	H4865	Main Burner Set, Rear	1	All Models
10b	H4866	Main Burner Set, Front	1	All Models
11	19L51	Gasket, Burner Tray Mounting	1	All Models
12	43K85	Gasket, Venturi Tube Mounting (per burner)	1	All Models
13a	74L92	Venturi Tube / Air Shutter, Rear	1	All Models
13b	60L40	Venturi Tube / Air Shutter, Front	1	All Models
14	69L21	Latch, Glass Enclosure Panel	4(ST) & 6 (PF)	All Models
16	H4897	Burner Adjustment Rod	1	All Models
17	93L32	Flex Gas Line Connector, FFGC	1	All Models

* Superior Nameplate Logo, 56L93, is sold separately.

Contact an Authorized LHP dealer to obtain any of these parts. Never use substitute materials. Use of non-approved parts can result in poor performance and safety hazards.

(MV) MILLIVOLT - GAS COMPONENTS				
Item	Cat.No	Description	Qty.	Where Used
30	H6209	Gas Valve - SIT, Natural Gas	1	SSDVST-NM
30	88J53	Gas Valve - SIT, Propane	1	SSDVST-PM
31	10K86	Piezo Igniter	1	SSDVST-NM & SSDVST-PM
32	69L17	Pilot Assembly, Natural Gas	1	SSDVST-NM
32	69L18	Pilot Assembly, Propane	1	SSDVST-PM
33	60J79	Pilot Generator	1	SSDVST-NM & SSDVST-PM
34	74L57	Thermocouple	1	SSDVST-NM & SSDVST-PM
35	74L56	Pilot Tube	1	SSDVST-NM & SSDVST-PM
36	74L58	Electrode And Cable	1	SSDVST-NM & SSDVST-PM
37	60J80	Orifice, Burner, Natural Gas, #44 (.086")	2	All NG Models
37	19L52	Orifice, Propane, #55 (.052")	2	All LP Models

(E) ELECTRONIC - GAS COMPONENTS				
Item	Cat.No	Description	Qty.	Where Used
40	62L18	Gas Valve - Honeywell, Electronic, Natural Gas	1	SSDVST-NE
40	62L19	Gas Valve - Honeywell, Electronic, Propane	1	SSDVST-PE
41	62L14	Pilot Assembly, Electronic, Natural Gas	1	SSDVST-NE
41	62L15	Pilot Assembly, Electronic, Propane	1	SSDVST-PE
42	42J32	Transformer, Electronic	1	SSDVST-NE (& PE)
43	87L54	Igniter Assembly (Kit)	1	SSDVST-NE (& PE)
45	H4867	Pilot Tube, Electronic	1	SSDVST-NE (& PE)
37	60J80	Orifice, Burner, Natural Gas, #44 (.086")	2	All NG Models
37	19L52	Orifice, Propane, #55 (.052")	2	All LP Models

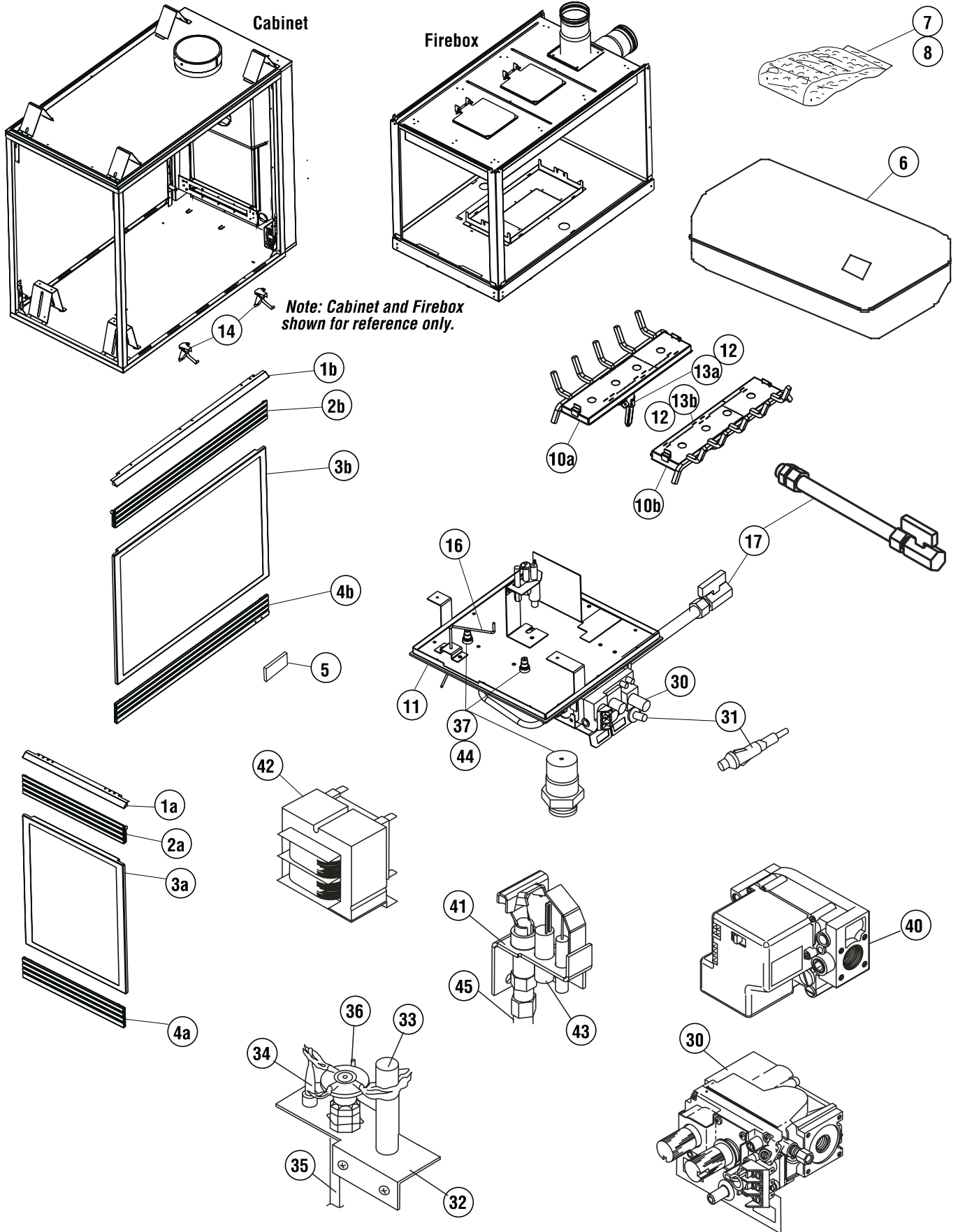
WARNING

Failure to position the parts in accordance with these diagrams or failure to use only parts specifically approved with this appliance may result in property damage or personal injury.

AVERTISSEMENT

Risque de dommages ou de blessures si les pièces ne sont pas installées conformément à ces schémas et ou si des pièces autres que celles spécifiquement approuvées avec cet appareil sont utilisées.

REPLACEMENT PARTS DIAGRAMS



Note: Cabinet and Firebox shown for reference only.

NOTE: DIAGRAMS & ILLUSTRATIONS ARE NOT TO SCALE.