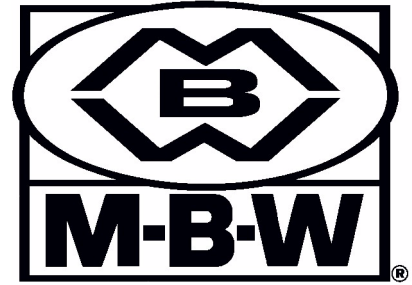


OPERATOR'S SAFETY AND SERVICE MANUAL



VIBRATION SUPPRESSOR & ERGOTAMP

This manual covers the following serial numbers
and higher for each model listed:

VS77.....1110500
VS77M.....1110500
ErgoTamp....2110258



PROBLEM SOLVING TECHNOLOGIES

MBW, Inc.
250 Hartford Rd • PO Box 440
Slinger, WI 53086-0440
Phone: (262) 644-5234
Fax: (262) 644-5169
Email: mbw@mbw.com
Website: www.mbw.com

MBW (UK) Ltd.
Units 2&3 Cochrane Street
Bolton BL3 6BN
England, UK
Phone: 44 (0) 01204 387784
Fax: 44 (0) 01204 387797
E-mail: mbwuk@btinternet.com

MBW FRANCE S.A.R.L.
Z.A. d'Outreville
5 Rue Jean Baptiste Néron,
60540 BORNEL
France
Phone: +33 (0) 3 44 07 15 96
Fax: +33 (0) 3 44 07 41 28
Email: mbwfrance@free.fr

L18678 / 4.13k
©MBW, Inc. 2013
Printed in the USA

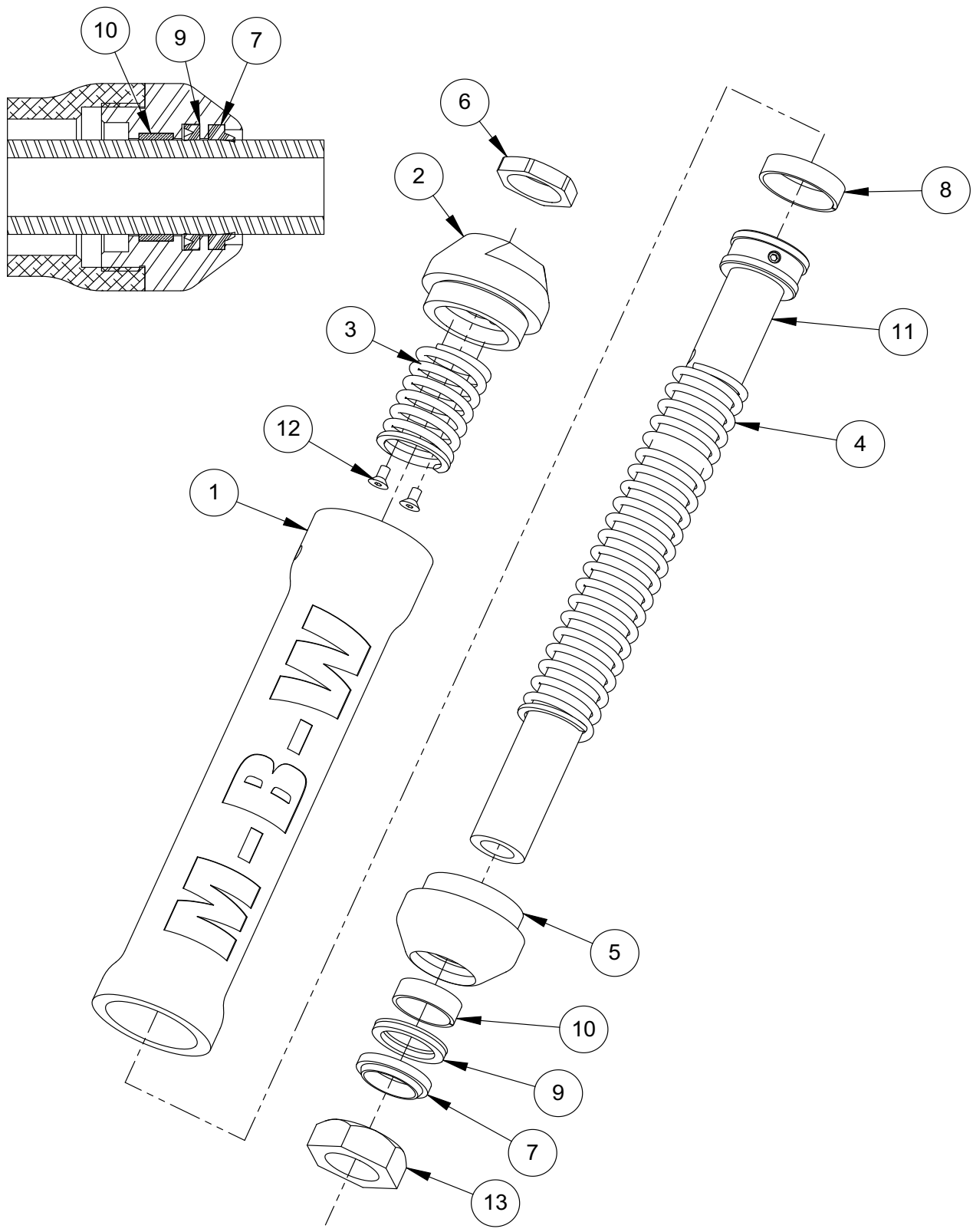
SPECIFICATIONS



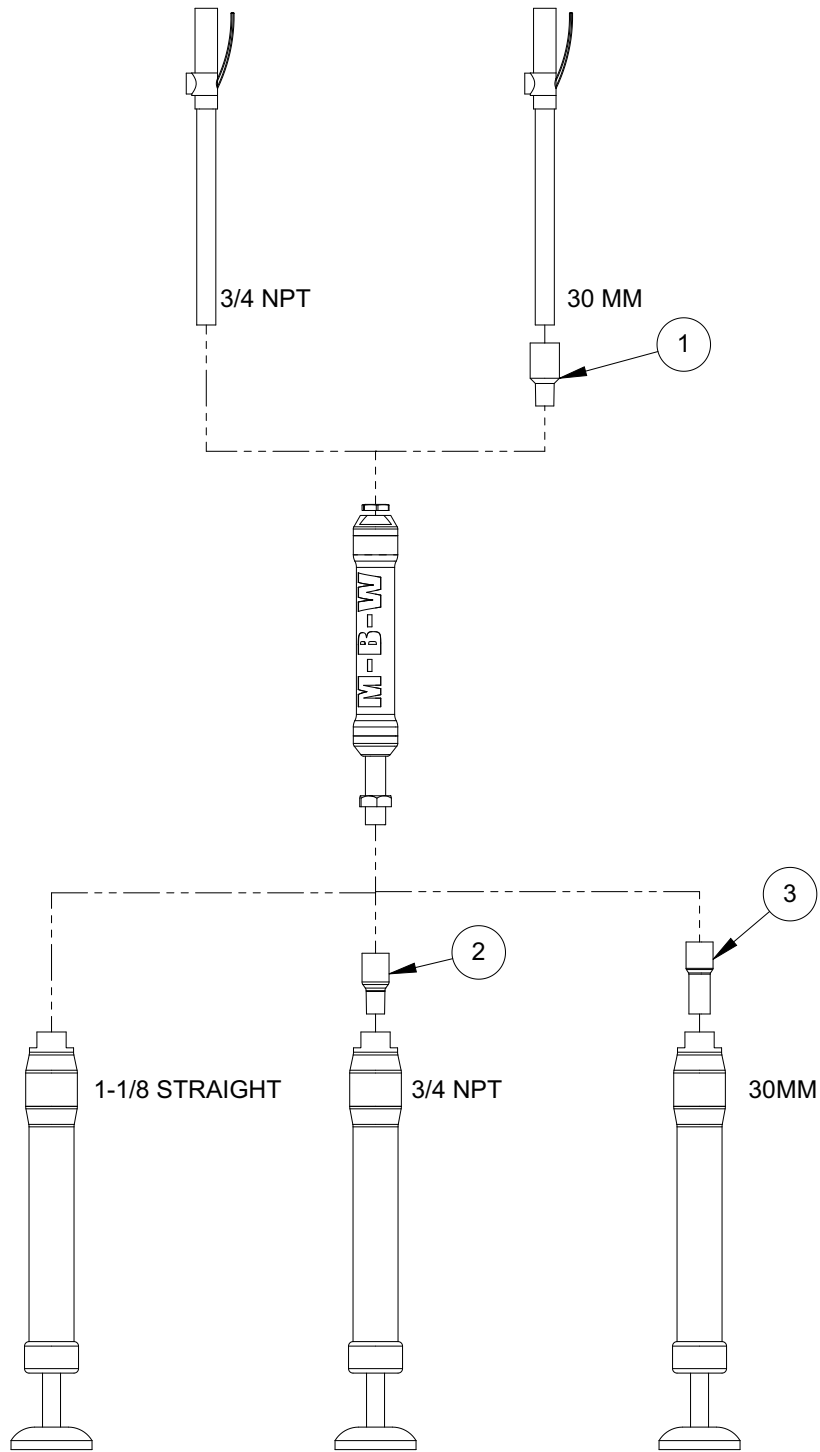
	VS77	Ergo-Tamp	Pole-Tamp
Operating Weight	6.8 lb (3.1 kg)	48 lb (22 kg)	38 lb (17 kg)
Length	17 in (43 cm)	56 in (142 cm)	
Foot Diameter	--	6.0 in (15 cm)	
Maximum Pressure	140 psi (965 KPa)	90 psi (620 KPa)	
Air Consumption	--	38.5 cfm (1.1 m ³ /m)	
Vibration Isolation	up to 77%*		None
Blows per Minute	--	800 @ 90 PSI	

Specifications subject to change without notice

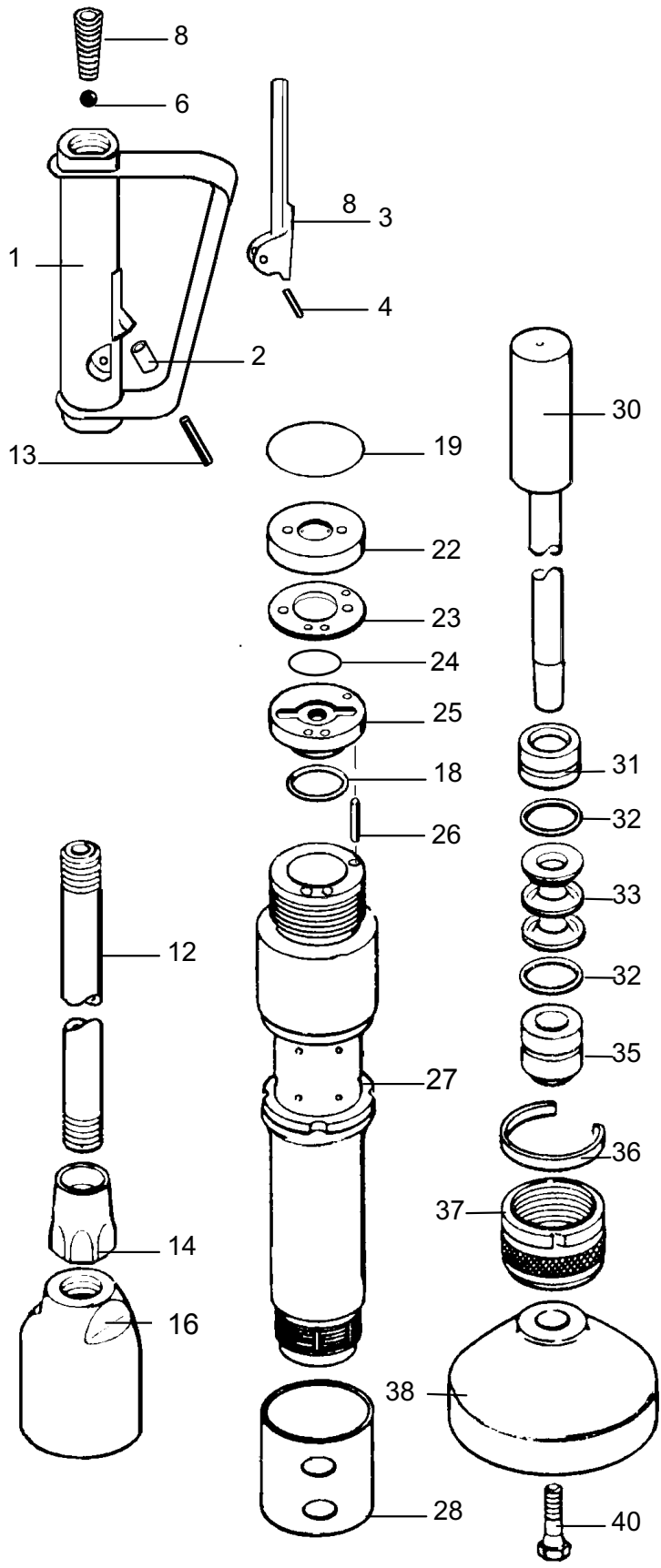
* Under ideal conditions, actual vibration isolation may vary with compactor type and compaction conditions



Vibration Suppressor Assembly



Threaded Adapters



Tamper Assembly

ITEM	PART NO.	DESCRIPTION	QTY
1.	PT6501G	THROTTLE BODY, BARE (WITH GUARD)	1
2.	PT6502G	PUSH PIN BUSHING	1
3.	PT6503	THROTTLE LEVER	1
4.	PT6504	THROTTLE LEVER FULCRUM PIN	1
6.	PT6446	THROTTLE BALL	1
8.	PT6139G	THROTTLE BALL SPRING	1
12.	PT6512	CONNECTING PIPE	1
	PT6512S	CONNECTING PIPE, SHORT (FOR USE WITH VIBRATION SUPPRESSOR)	1
13.	PT6513G	PUSH PIN	1
14.	PT6514	CONNECTING PIPE NUT	1
16.	PT6516G	BACK HEAD	1
18.	PT6518	LOWER VALVE BLOCK O-RING	1
19.	PT6519G	UPPER VALVE BLOCK O-RING	
22.	PT6522G	UPPER VALVE BLOCK	1
23.	PT6523G	CENTER PLATE	1
24.	PT6524G	VALVE DISC	1
25.	PT6525G	LOWER VALVE BLOCK	1
26.	PT6526G	VALVE DOWEL PIN	2
27.	PT6527G	BARREL	1
28.	PT6528	EXHAUST DEFLECTOR (STEEL)	1
30.	PT6530	PLUNGER	1
31.	PT6531	UPPER GUIDE BUSHING	1
32.	PT6532	GUIDE BUSHING O-RING	1
33.	PT6533	PLUNGER PACKING SET	1
35.	PT6535	LOWER GUIDE BUSHING	1
36.	PT6536	PACKING NUT LOCK CLIP	1
37.	PT6537	PACKING NUT	1
38.	PT6538	6" MALLEABLE IRON BUTT	1
40.	PT6540	CLAMP SCREW	1
	PT6500G	THROTTLE BODY, COMPLETE (WITH GUARD)	
	PT6528R	EXHAUST DEFLECTOR (RUBBER)	
	PT6539	KIDNEY SHAPED POLE SHOE	