

# OPERATION AND PARTS MANUAL



## **Reversible Plate Compactor** *Mikasa* **Model** **MVH-702DRSC**

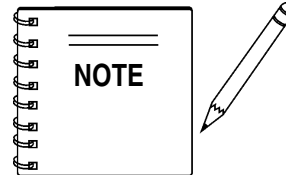
Revision #1 (12/17/03)

## MQ MIKASA MVH-702DRSC- REVERSIBLE PLATE COMPACTOR

Proposition 65 Warning .....	2
Here's How To Get Help .....	3
Table Of Contents .....	4
Parts Ordering Procedures .....	5
Safety Message Alert Symbols .....	6-7
Rules for Safe Operation .....	8-9
Operation and Safety Decals .....	10-11
Dimensions and Specifications .....	12
Features .....	13
Compactor Components .....	14-15
Remote Control Components (Body) .....	16-17
Remote Control Components (Transmitter) .....	18-19
Before Start-up .....	20
Battery Charging .....	21
Operation .....	22-23
Loading and Unloading .....	24
Maintenance .....	25
Troubleshooting .....	26-29
Block Diagram .....	30
Receiver Wiring Diagram .....	31
Valve Control Diagram .....	32
Explanation Of Code In Remarks Column .....	34
Suggested Spare Parts .....	35

## PARTS ILLUSTRATIONS

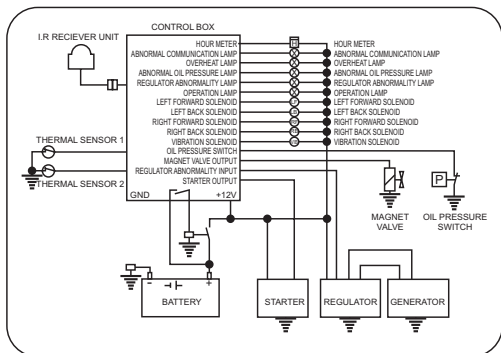
Nameplate and Decals .....	36-37
Vibrating Plate Assembly .....	38-39
Vibrator Assembly .....	40-41
Cover Assembly .....	42-45
Engine Assembly .....	46-47
Hydraulic System Assembly .....	48-51
Electric Device .....	52-55
Terms and Conditions Of Sale — Parts .....	56



***Specification and part number are subject to change without notice.***

# MVH-702DRSC — OPERATION AND SAFETY DECALS

Figure 1 displays the operation and safety decals as they appear on the compactor. Should any of these decals become damaged or unreadable, contact the Multiquip Parts Department for a replacement set.



P/N: 920109700

**⚠ CAUTION**

- 1) Transmitter must be fully charged before using.
- 2) Charge Transmitter for initial use and after prolonged storage.
- 3) Solar collectors only maintain battery charge.
- 4) See Operations Manual for charging details.

Set Main switch on Control box to "OFF" position to avoid battery drain

NPA-951

P/N:TBD

**Shell Tellus Oil**  
**45**

NPA-748

P/N: 920108810

**⚠ FOR EMERGENCY**

Pull the knob until engine stops completely

NPA-921

P/N: 920109800

995.133.4

P/N: TBD

**⚠ CAUTION**  
**⚠ ATTENZIONE**  
**⚠ ATENÇÃO**  
**⚠ PRECAUCION**

- \* Read operator's manual carefully before use.
- \* Lire le manuel attentivement avant utilisation.
- \* Bitte lesen Sie vor Inbetriebnahme der Maschine die Bedienungsanleitung sorgfältig durch.
- \* Prima dell'uso leggere attentamente il manuale.
- \* Lee com atenção o manual de instruções antes de usar.
- \* Leer detenidamente el manual de instrucciones antes de usar la maquina.

NPA-769

P/N: 920108350



P/N: 920100920

P/N: 920209020

<b>⚠ DANGER FUEL</b>  <small>Operate only in well-ventilated area</small>	<b>⚠ DANGER FUEL</b>  <small>Do not stand next to machine while lifting</small>	<b>⚠ DANGER FUEL</b>  <small>Use caution while operating</small>
<b>⚠ DANGER FUEL</b>  <small>Fire Risk</small>	<b>⚠ WARNING DUST</b>  <small>Wear eye protection</small>	<b>⚠ WARNING NOISE</b>  <small>Wear ear protection</small>
<b>⚠ WARNING DUST</b>  <small>Operate only in well-ventilated area</small>	<b>⚠ WARNING DUST</b>  <small>Do not stand next to machine while lifting</small>	<b>⚠ WARNING NOISE</b>  <small>Use caution while operating</small>

NPA-922

P/N: 920109770



P/N: 920101580

**MVH-702**

P/N: 920109550

**MVH-702**

P/N: 920109840

**MAIN SWITCH**

NPA-930

P/N: 920109750

Figure 1a. Operation and Safety Decals

# MVH-702DRSC — OPERATION AND SAFETY DECALS

Figure 1 displays the operation and safety decals as they appear on the compactor. Should any of these decals become damaged or unreadable, contact the Multiquip Parts Department for a replacement set.

**CAUTION**

- Read owner's instruction manual before operating or servicing this machine.
- The machine consists of the engine located in front, and the aluminum hydraulic oil tank in rear. The operator should stand 7 feet (2m) away from to operate the machine. When operating the plate while standing in front of the machine please note that the travel controls will function in the opposite direction.
- The remote control operation is restricted to a narrower area the further you are from the machine. The transmitter should be pointed more directly toward the machine.
- In case for emergency such as the failure of the transmitter, pull Emergency Stop Lever located on the machine immediately and wait until the engine stops completely.
- The remote control operation is not available in the following cases and the vibration stops automatically in operation.
  - The case A: Operator stands within approx. 3 feet (1m) distance, to operate machine.
  - The case B: Operator stands approx. 60 feet (10m) or farther from the machine, to operate approx. 40 feet (12m) far in the direct rays of the sun). These distances may vary.
  - The Case C: Operator stops sending control signals for more than one second.
- In the case that several machines are operating in the same area, each machine should be transmitting on a different infra-red channel.
- A flashing light of the transmitter blinks during normal operation. A voltage drop of the transmitter battery will cause the flashing light to alternate between on and off.
- Hang-up the transmitter away from the machine for safety sake.
- In operation with remote cable, do not pull out the cable strongly or run over it with the machine.
- Keep the transmitter away from the machine for safety sake.
- To avoid excessive dust contamination of air cleaner, water may be used for dust control in high dust areas.
- To finish operation, be sure to switch off the main switch on receiver and press the emergency stop button on transmitter.
- When storing outside, keep the machine covered from the rain and always keep the transmitter indoors.

NPA-919

P/N: 920109780

**OPERATIONAL CAUTION**

- Starting engine by electric starter
  - Ensure that the start switch is set at Cell-Start position and move main switch to "ON" position.
  - Do not run starter longer than 10 seconds to avoid overheating.
  - Warmup the engine without load for 3 to 5 minutes.
- Manually starting engine
  - Ensure that the start switch is set at Crank-Start position, and move main switch to "ON" position.
  - Warm up the engine without load for 3 to 5 minutes.
- To stop engine
  - Move stop switch to "OFF" position after running at idle for 3 to 5 minutes.

If engine does not stop properly, push the throttle lever next to the oil filter until it comes to a completely stop, which takes approximately 15 seconds.

After operation is completed, move both control switches of machine and controller to the "OFF" position

**MONITOR LAMP LIST**

No.	Contents	No.	Contents
1	LEFT FORWARD	7	STOP
2	LEFT BACK	8	RECEPTION
3	RIGHT FORWARD	9	CHARGE
4	RIGHT BACK	10	OIL PRESSURE
5	START	11	OVERHEAT
6	VIBRATION	12	SWITCH OFF

NPA-903

P/N: 920109710

**CAUTION**

**NR. (RECEIVING FAILURE LIGHT)**  
The remote control operation is restricted to a narrower area the further you are from the machine. If the operative signals do not reach the plate properly, RECEIVING FAILURE LIGHT is immediately on and will stop the plate vibration automatically (the engine will continue running)

**OP. (OIL PRESSURE (ENGINE) FAILURE LIGHT)**  
If the engine oil is low or the hydraulic oil pump is out of order, OIL PRESSURE FAILURE LIGHT is on and will stop the engine automatically

**RE.(REGULATOR FAILURE LIGHT)**  
If the alternator and regulator in engine are out of order, REGULATOR FAILURE LIGHT is on, but the machine is operative. Be sure to check them after operation

**OH.(E/G OVERHEAT LIGHT)**  
If the engine is continuously overloaded or if the air element is plugged due to excessive dust, the machine E/G OVERHEAT LIGHT will light to notify of an engine overheat. To correct, run the machine without vibration about 5 minutes or stop the engine for cleaning air element. If this is not done the machine will stop vibration automatically and continue to run without vibration for cooling the engine. The vibrator will not start again until the engine temperature reaches and acceptable level.

NPA-951

P/N:920109790

**OPERATIONAL CAUTION**

- Operating multiple machines on a jobsite  
Each machine has a remote control channel setting, both in the plate and in the transmitter. To assure proper operation the channel numbers must match between the machine and the transmitter. When using more than one machine at the same jobsite, each machine and accompanying transmitter must be set at a different channel number than the other machines but each machine should still match its transmitter.
- Air filter service  
a. If air cleaner element is clogged, the over-heat lamp will come on.  
b. Clean up or replace the cleaner element immediately. Otherwise, machine vibration will stop automatically and will not start its vibration again until the engine has enough time to cool down.

SIGNAL CHANNEL → NPA-908

BATTERY CHARGE INLET ← NPA-907

P/N: 920109720

**MVH-RC**

NPA-908

P/N: 920209080

**DIESEL FUEL ONLY**

NPA-927

P/N: 920102710

**HYDRAULIC OIL ONLY**

NPA-628

P/N: 920109810

**OPEN**

← NPA-922

P/N: 920209310

**MAIN SWITCH**

NPA-904

P/N: 920109750

SIGNAL BATTERY CHARGE

VIBRATION SWITCH ON OFF

MAIN SWITCH EMERGENCY STOP

ENGINE SWITCH START STOP

Mikasa MVH-906

P/N: 920109730

**SAFETY GOGGLES**

NPA-333

P/N: 920203330

**SAE 10W-40 Motor Oil**

NPA-740

P/N: 920209230

**OH RE OP NR**

NPA-925

P/N: 920209250

Figure 1b. Operation and Safety Decals

# MVH-702DRSC — SUGGESTED SPARE PARTS

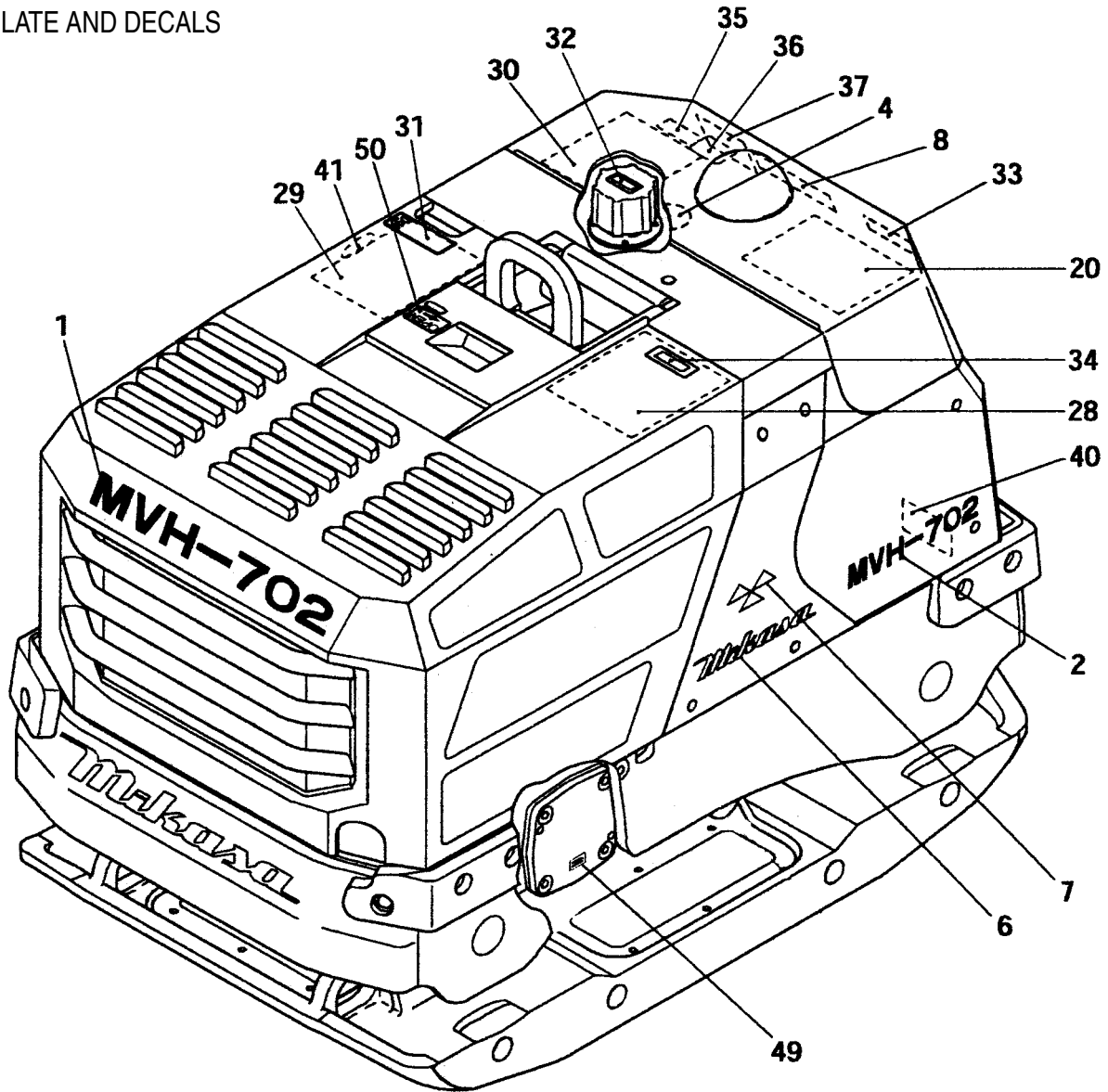
## MQ MIKASA MVH-702DRSC REVERSIBLE PLATE COMPACTOR

*1 to 3 Units*

<u>Qty.</u>	<u>P/N</u>	<u>Description</u>
3 .....	954001910 .....	OIL FILTER, HYDRAULIC
3 .....	954001920 .....	SUCTION, OIL FILTER HYDRAULIC
1 .....	954001900 .....	CAP, WITH BREATHER

# MVH-702DRSC COMPACTOR — NAMEPLATE AND DECALS

## NAMEPLATE AND DECALS



TRANSMITTER	RECEIVER

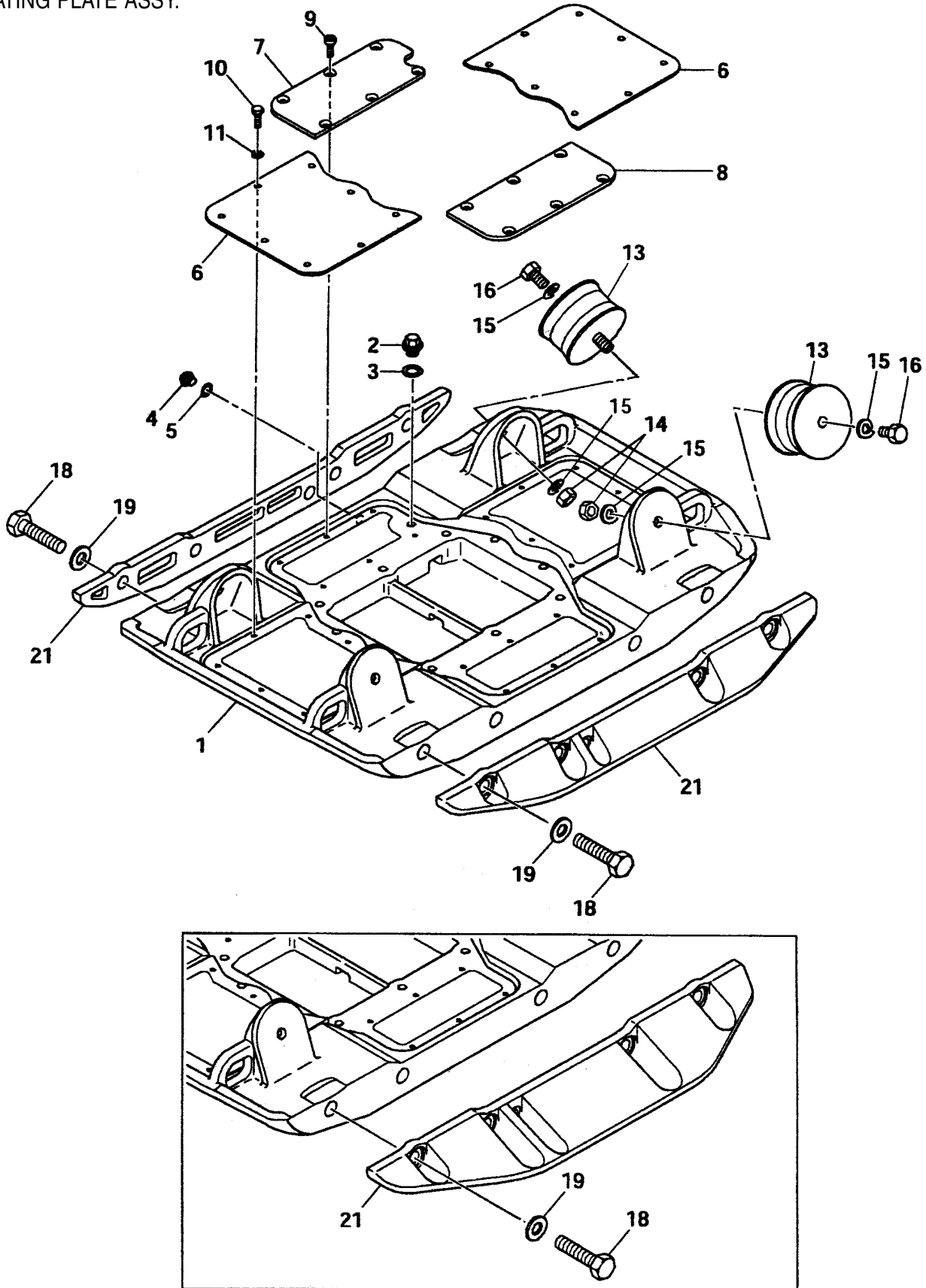
# MVH-702DRSC COMPACTOR — NAMEPLATE AND DECALS

## NAMEPLATE AND DECALS

<u>NO.</u>	<u>PART NO.</u>	<u>PART NAME</u>	<u>QTY.</u>	<u>REMARKS</u>
1	920109840	MODEL- MVH- 702 (350) DECAL	1	
2	920109550	MODEL- MVH- 702 DECAL	2	
3	920209080	CONTROLLER MVH- RC DECAL .....	1 .....	NPA-908
4	920203330	EAR PROTECTION LABEL .....	1 .....	NPA-333
6	920101580	MIKASA MARK 200MM DECAL	1	
7	920100920	MIKASA MARK DECAL	2	
8	920209250	WARNING LAMP DECAL .....	1 .....	NPA-925
20	920209010	DIAGRAM DECAL .....	1 .....	NPA-901
21	920209020	RECEIVER MONITOR LAMP DECAL .....	1 .....	NPA-901
22	920209030	MONITOR LAMP OPERATION DECAL .....	1 .....	NPA-903
23	920209040	MAIN SWITCH DECAL .....	1 .....	NPA-904
25	920209060	TRANSMITTER CONTROL DECAL .....	1 .....	NPA-906
26	920209070	TRANSMITTER CAUTION DECAL .....	1 .....	NPA-907
28	920209190	9-UP WARNING DECAL .....	1 .....	NPA-923
29	920209230	CAUTION OPERATION RULES .....	1 .....	NPA-919
30	920209310	CAUTION LAMP DECAL .....	1 .....	NPA-951
31	920209210	EMERGENGY STOP DECAL .....	1 .....	NPA-921
32	920209280	HYDRAULIC OIL DECAL .....	1 .....	NPA-922
33	920209300	MAIN SWITCH DECAL .....	1 .....	NPA-930
34	920209270	DIESEL FUEL DECAL .....	1 .....	NPA-927
35	920108810	SHELL TELLUS OIL 45 DECAL .....	1 .....	NPA-748
36	920108350	CAUTION READ MANUAL DECAL .....	1 .....	NPA-769
37	920209510	CAUTION TRANSMITTER CHARGE .....	1 .....	NPA-951
41	920209020	MULTIQUIP CARSON, CALIF. DECAL	1	
49	920209230	SAE10W-40 DECAL	1	
50	920209310	OPEN DECAL .....	1 .....	NPA-922

# MVH-702DRSC COMPACTOR — VIBRATING PLATE ASSY.

VIBRATING PLATE ASSY.



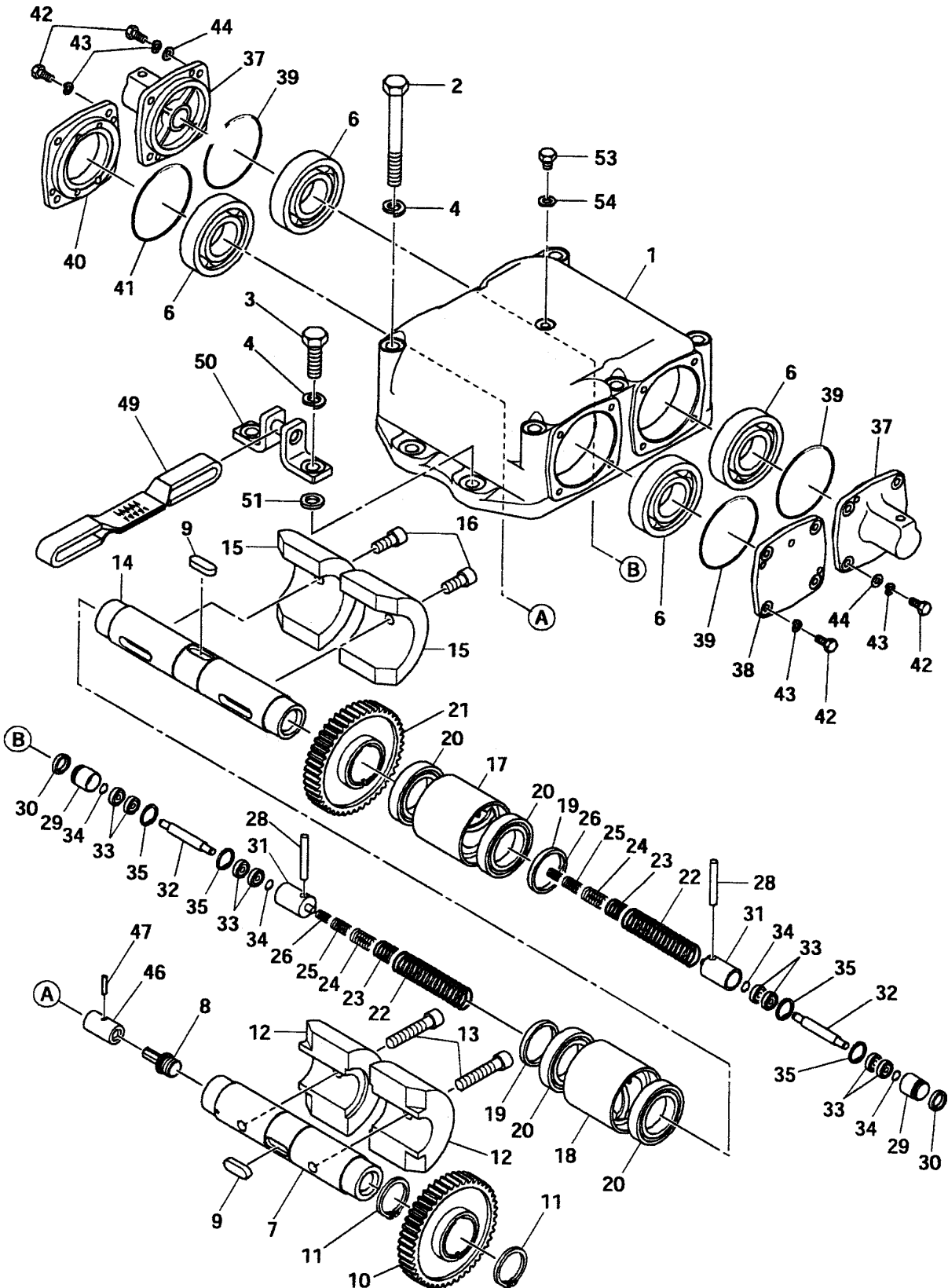
# MVH-702DRSC COMPACTOR — VIBRATING PLATE ASSY.

## VIBRATING PLATE ASSY.

<u>NO.</u>	<u>PART NO.</u>	<u>PART NAME</u>	<u>QTY.</u>	<u>REMARKS</u>
1	462116380	VIBRATING PLATE	1	
2	953405840	DRAIN PLUG M18(H)	1	
3	953402930	COPPER PACKING 19 X30 X1	1	
4	953400270	PLUG 1/4X14 10L	1	
5	953405260	PACKING 1/4 (CU)	1	
6	462340050	PLATE (F&R)	2	
7	462340060	PLATE (RIGHT)	1	
8	462340070	PLATE (LEFT)	1	
9	009120407	SUNK HEAD BOLT 10X 20 T	12	
10	001221020	BOLT 10 X 20 T	16	
11	030210250	WASHER, LOCK M10	16	
13	930413001	SHOCK ABSORBER 130- 80H	4	
14	020318150	NUT M18	4	
15	030218460	WASHER, LOCK M18	8	
16	001221835	BOLT 18 X 35 T	4	
18	001222452	BOLT 24 X 60 T	8	
19	030224590	WASHER, LOCK M24	8	
21	462116480	EXTENSION PLATE (75)	2	
21	462116490	EXTENSION PLATE (150) .....	2 .....	OPTION

# MVH-702DRSC COMPACTOR — VIBRATOR ASSY.

VIBRATOR ASSY.



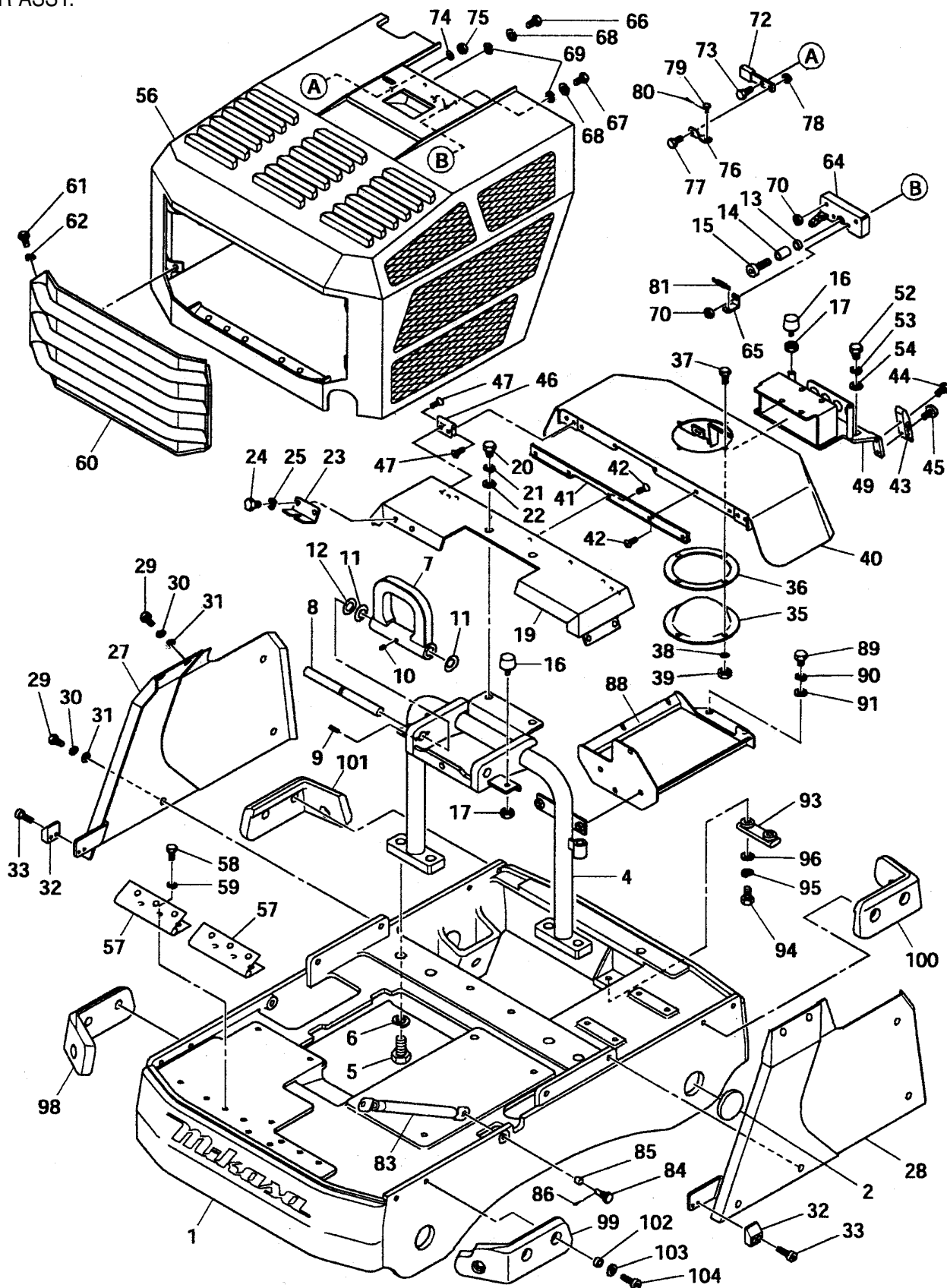
# MVH-702DRSC COMPACTOR — VIBRATOR ASSY.

## VIBRATOR ASSY.

<u>NO.</u>	<u>PART NO.</u>	<u>PART NAME</u>	<u>QTY.</u>	<u>REMARKS</u>
1	462116390	VIBRATOR CASE	1	
2	001221876	BOLT 18 X 180 T	6	
3	001221855	BOLT 18 X 75	4	
4	030218460	WASHER, LOCK M18	10	
6	047920100	ROLLER BEARING NJ311C4	4	
7	462215570	ROTARY DRIVE SHAFT	1	
8	462454560	SPLINE MOTOR DRIVE SHAFT	1	
9	951406600	KEY 16 X 10 X 46 RR	2	
10	462340080	DRIVE GEAR	1	
11	080200600	STOP RING S- 60	2	
12	462340100	ECCENTRIC DRIVE ROTOR	2	
13	462454900	SCT HEAD BOLT 16 X 80 P1.5	2	
14	462215580	ROTARY DRIVE SHAFT	1	
15	462340110	ECCENTRIC DRIVE ROTOR	2	
16	009120307	SCT HEAD BOLT 16 X 35 P1.5	2	
17	462340120	CAM RING 180(R)	1	
18	462340130	CAM RING 180(L)	1	
19	952406460	COLLAR 60 X 70 X 8	2	
20	040306012	BEARING 601203	4	
21	462340090	DRIVE GEAR /MVH-702	1	
22	462454590	SPRING (1) 30- 126L	2	
23	462454600	SPRING (2) 24- 126L	2	
24	462454610	SPRING (3) 19- 126L	2	
25	462454620	SPRING (4) 15- 126L	2	
26	462454630	SPRING (5) 11- 126L	2	
28	025510075	KNOCK PIN 10 X 75	2	
29	455435051	22.4D PISTON	2	
30	455010070	PACKING USH- 22.4 X 30 X 5	2	
31	462340140	CAM RING PISTON	2	
32	462340150	PISTON ROD	2	
33	042506000	BEARING 6000ZZSG	8	
34	080200100	STOP RING S- 10	4	
35	080100260	STOP RING R- 26	4	
37	462215590	CYLINDER	2	
38	462340160	BEARING COVER	1	
39	050101150	O- RING G- 115	3	
40	462340170	MOTOR FLANGE	1	
41	050101200	O- RING G- 120	1	
42	001211030	BOLT 10 X 30 H	16	
43	030210250	WASHER, LOCK M10	16	
44	031110160	WASHER, FLAT M10	8	
46	462454640	SPLINE JOINT /MVH- 702	1	
47	025406030	SPRING PIN 6 X 30	1	
49	462340290	SAFETY BELT /MVH- 702	2	
50	462340180	SPRING HOOK /MVH- 702	2	
51	952406470	COLLAR 19 X 33 X 5	4	
53	001201216	BOLT 12 X 16	1	
54	031112230	WASHER, FLAT M12	1	

# MVH-702DRSC COMPACTOR — COVER ASSY.

COVER ASSY.



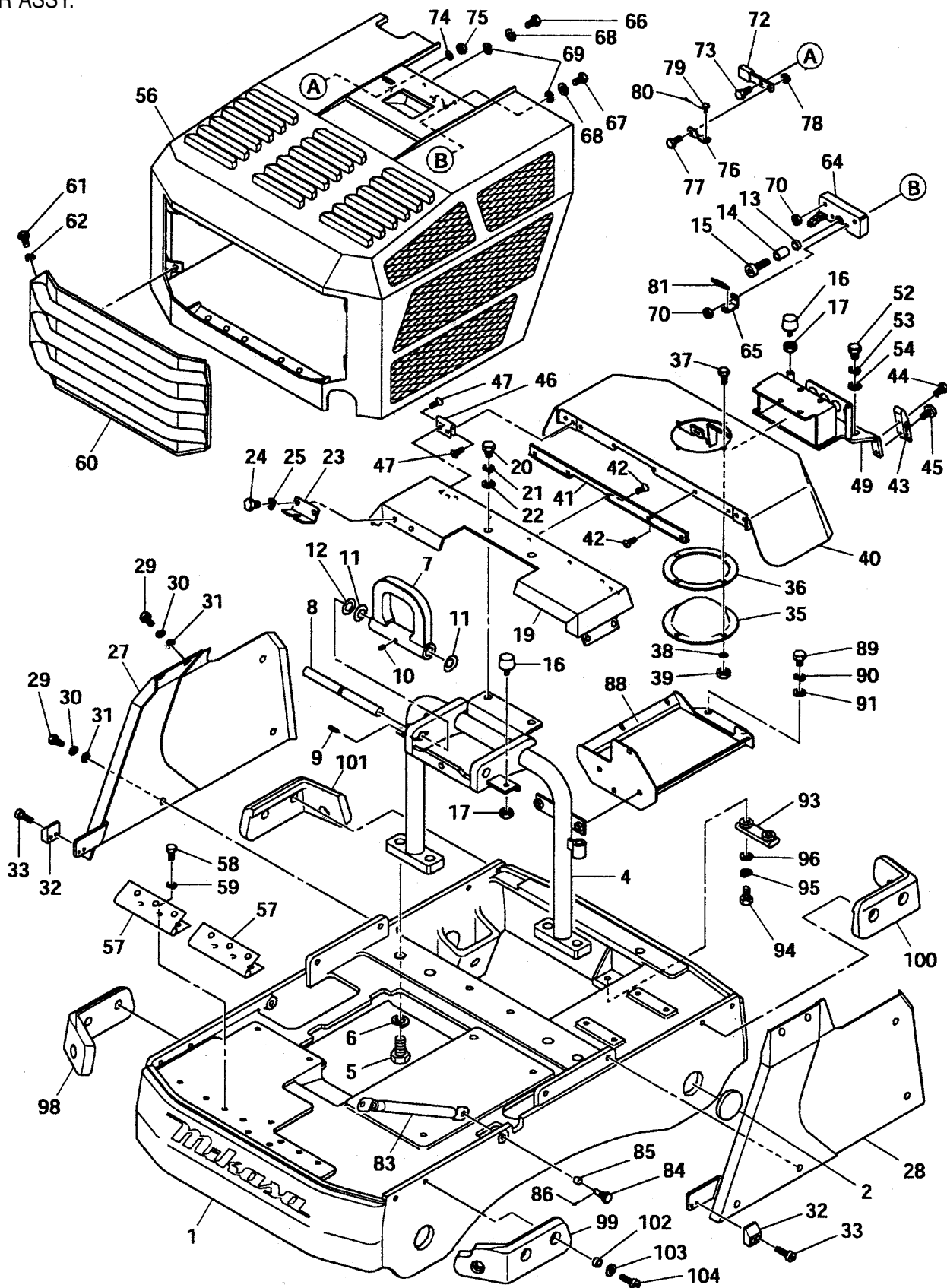
# MVH-702DRSC COMPACTOR — COVER ASSY.

## COVER ASSY.

<u>NO.</u>	<u>PART NO.</u>	<u>PART NAME</u>	<u>QTY.</u>	<u>REMARKS</u>
1	462116400	BASE	1	
2	953010020	PLUG	4	
4	462215600	HOOK FRAME	1	
5	001221850	BOLT 18 X 50 T	4	
6	030218460	WASHER, LOCK M18	4	
7	462340190	HOOK	1	
8	462454650	FIXING HOOK SHAFT	1	
9	099206020	SOCKET HEAD SCREW 6 X 20 T	2	
10	099206010	SOCKET HEAD SCREW 6 X 10	1	
11	032118300	CONICAL SPRING WASHER M18	2	
12	031118260	WASHER, FLAT M18	1	
13	952406640	COLLAR 12.5 X 18 X 7	1	
14	462010010	INNER RACE/ FIR121725	1	
15	001521245	SOCKET HEAD BOLT 12 X 45 T	1	
16	939010170	RUBBER STOPPER	4	
17	020308060	NUT M8	4	
19	462215610	UPPER CENTER COVER 1		
20	001221225	BOLT 12 X 25 T	2	
21	030212300	WASHER, LOCK M12	2	
22	031112230	WASHER, FLAT M12	2	
23	462454660	CABLE STAY	1	
24	001220815	BOLT 8 X 15 T	2	
25	030208200	WASHER, LOCK M8	2	
27	462116460	RIGHT SIDE COVER	1	
28	462116470	LEFT SIDE COVER	1	
29	001221020	BOLT 10 X 20 T	12	
30	030210250	WASHER, LOCK M10	12	
31	031110160	WASHER, FLAT M10	12	
32	462454720	F. COVER SUPPORT	2	
33	001520615	SOCKET HEAD BOLT 6 X15 T	4	
35	462340200	COVER	1	
36	462455130	RUBBER SPACER	1	
37	001220620	BOLT 6 X 20 T	4	
38	952406480	WASHER 6 X16 X1.6	4	
39	022720607	NYLON NUT M6, H=6.6	4	
40	462215640	REAR COVER	1	
41	462215620	RUBBER HINGE	1	
42	092006015	FLAT HEAD SCREW 6 X15	10	
43	462010030	FASTENER (C- 1321)	2	
44	001520510	SOCKET HEAD BOLT 5 X 10 T	4	
45	091004010	SCREW 4X10	4	
46	462010040	HINGE (B- 1224)	2	
47	092005012	SCREW 5X 12	8	
49	462215650	STAY	1	
52	001220820	BOLT 8X20 T	2	
53	030208200	WASHER, LOCK M8	2	

# MVH-702DRSC COMPACTOR — COVER ASSY. (CONT.)

COVER ASSY.



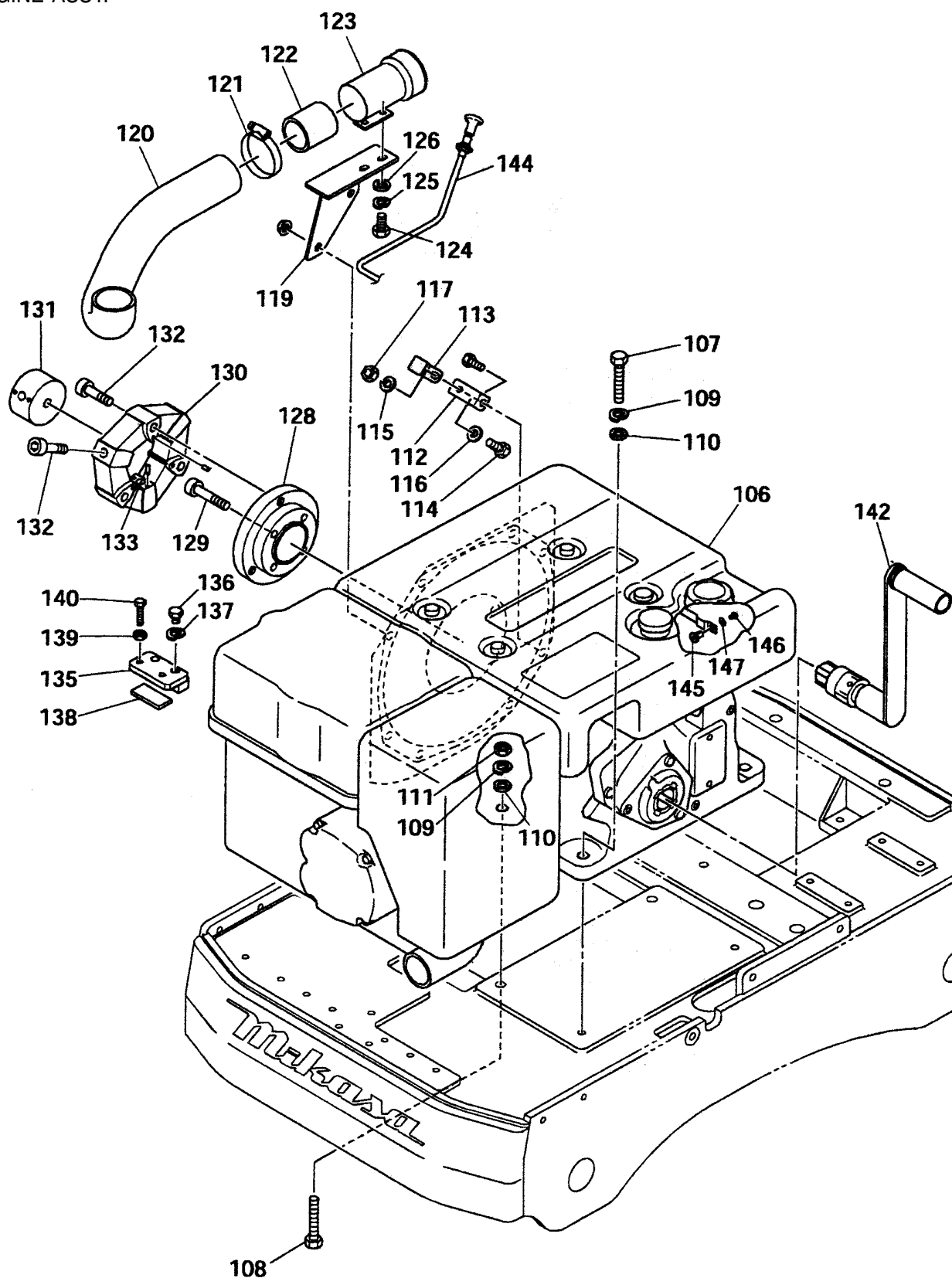
# MVH-702DRSC COMPACTOR — COVER ASSY. (CONT)

## COVER ASSY.

<u>NO.</u>	<u>PART NO.</u>	<u>PART NAME</u>	<u>QTY.</u>	<u>REMARKS</u>
54	031108160	WASHER, FLAT M8	2	
56	462116410	FRONT COVER	1	
57	462010050	HINGE (B- 801- 1)	2	
58	001221025	BOLT 10X25 T	12	
59	030210250	WASHER, LOCK M10	12	
60	462215660	FRONT GRILL	1	
61	001220815	BOLT 8 X15 T	4	
62	030208200	WASHER, LOCK M8	4	
64	462010060	LOCKING DEVICE (C- 873- 2R)	1	
65	462454680	SPRING HOOK	1	
66	001220630	BOLT 6 X 30 T	3	
67	001220635	BOLT 6 X35 T	1	
68	030206150	WASHER, LOCK M6	4	
69	031106100	WASHER, FLAT M6	4	
70	020306050	NUT M6	4	
72	462454690	LEVER	1	
73	001220825	BOLT 8 X25 T	1	
74	032208180	CONICAL SPRING WASHER M8	1	
75	020308060	NUT M8	1	
76	462454700	TENSION BAR	1	
77	001220615	BOLT 6 X15 T	1	
78	020306050	NUT M6	1	
79	462454710	PIN	1	
80	025910060	SNAP PIN /SSP- 6	1	
81	462454910	TENSION SPRING	1	
83	462010070	DAMPER (KMF120- 20D)	2	
84	462455140	DAMPER PPIN	2	
85	952406660	COLLAR 9X 12X 11	2	
86	025910100	SNAP PIN /SSP- 10	4	
88	462340230	BRACKET (C. UNIT)	1	
89	001220820	BOLT 8X 20 T	4	
90	030208200	WASHER, LOCK M8	4	
91	031108160	WASHER, FLAT M8	2	
93	462454780	SLING BRACKET	2	
94	001221040	BOLT 10X 40 T	4	
95	030210250	WASHER, LOCK M10	4	
96	031110160	WASHER FLAT M10	4	
98	462215680	RUBBER BUMPER (A)	1	
99	462215690	RUBBER BUMPER (B)	1	
100	462215700	RUBBER BUMPER (C)	1	
101	462215710	RUBBER BUMPER (D)	1	
102	952406530	COLLAR 11X 17.5X 8	12	
103	031112230	WASHER, FLAT M12	12	
104	009110018	SCT. HEAD BOLT 10X 20 P1.5	12	

# MVH-702DRSC COMPACTOR — ENGINE ASSY.

ENGINE ASSY.



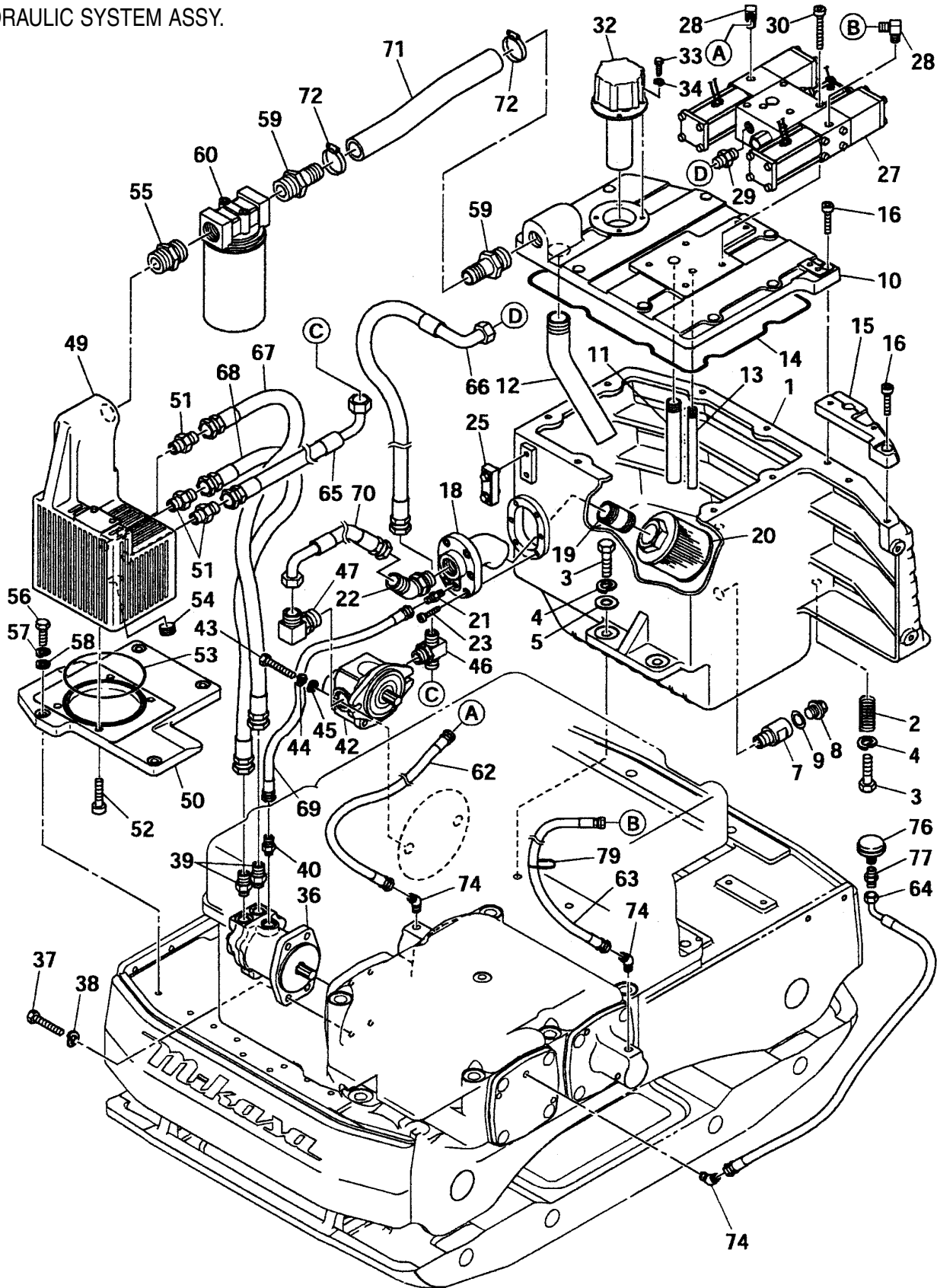
# MVH-702DRSC COMPACTOR — ENGINE ASSY.

## ENGINE ASSY.

<u>NO.</u>	<u>PART NO.</u>	<u>PART NAME</u>	<u>QTY.</u>	<u>REMARKS</u>
106	918400700	ENGINE AY FARYMANN- 43F	1	
107	001221251	BOLT 12X 55 T	2	
108	001221252	BOLT 12X 60 T	2	
109	030212300	WASHER, LOCK M12	4	
110	031112230	WASHER, FLAT M12	4	
111	020312100	NUT M12	2	
112	462454580	HOSE STAY /MVH- 702	1	
113	954494239	CLAMP SA120- 18	1	
114	001220620	BOLT 6X 20 T	1	
115	030206150	WASHER, LOCK M6	1	
116	031106100	WASHER, FLAT M6	1	
117	020306050	NUT M6	1	
119	462215670	INTAKE BRACKET	1	
120	462340210	AIR CLEANER HOSE	1	
121	954406570	CLAMP (AH- 705)	2	
122	462454730	CYCLONE JOINT	1	
123	462010080	CYCLONE CLEANER	1	
124	001220615	BOLT 6X 15 T	2	
125	030206150	WASHER, LOCK M6	2	
126	031106100	WASHER, FLAT M6	2	
128	462340220	COUPLING	1	
129	001521045	SOCKET HEAD BOLT 10X 45 T	4	
130	462340310	RUBBER COUPLING	1	
131	462340320	CYLINDER HUB	1	
132	001521235	SOCKET HEAD BOLT 12X 35 T	6	
133	025405010	SPRING PIN 5X 10	6	
135	462454740	C. HANDLE CLAMP PLATE	1	
136	001221040	BOLT 10X 40 T	2	
137	030210250	WASHER, LOCK M10	2	
138	462454750	C. HANDLE SPONGE	1	
139	020308060	NUT M8	2	
140	001220830	BOLT 8X 30 T	2	
142	462010020	CRANK HANDLE	1	
144	462340300	CABLE	1	
145	462454670	WIRE STOPPER	1	
146	091004010	SCREW 4X 10	1	
147	031108160	WASHER, FLAT M8	1	

# MVH-702DRSC COMPACTOR — HYDRAULIC SYSTEM ASSY.

HYDRAULIC SYSTEM ASSY.



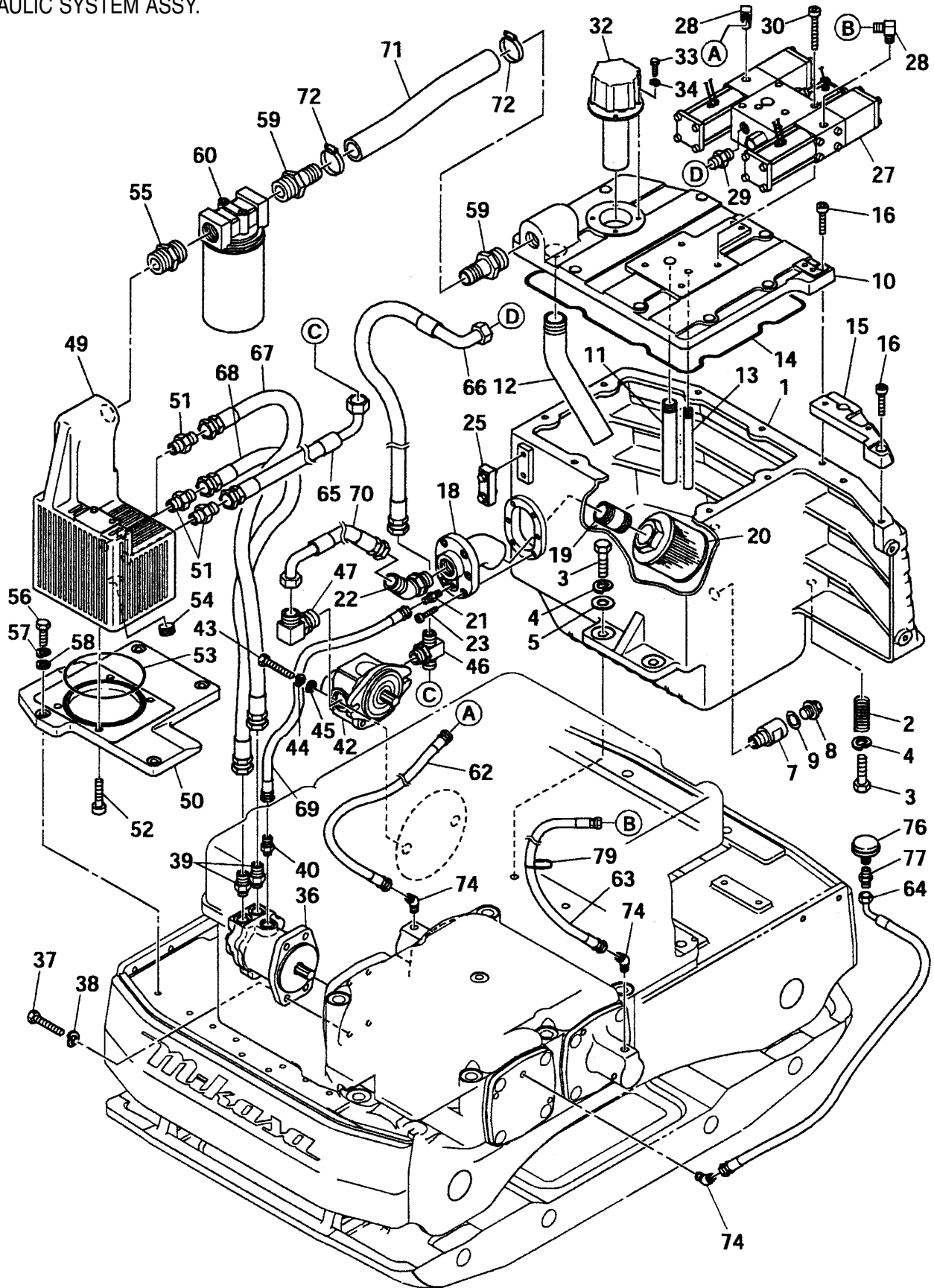
# MVH-702DRSC COMPACTOR — HYDRAULIC SYSTEM ASSY.

## HYDRAULIC SYSTEM ASSY.

<u>NO.</u>	<u>PART NO.</u>	<u>PART NAME</u>	<u>QTY.</u>	<u>REMARKS</u>
1	462116420	OIL TANK	1	
2	959010441	HELI- SERT M14X2D	2	
3	001221445	BOLT 14X45 T	4	
4	030214350	WASHER, LOCK M14	4	
5	031114260	WASHER, FLAT M14	2	
7	462454790	OIL DRAIN JOINT	1	
8	953405840	DRAIN PLUG M18 (H)	1	
9	953402930	COPPER PACKING 19X30X1	1	
10	462116430	OIL TANK COVER	1	
11	462454810	RETURN PIPE 1/2" -150L	1	
12	462454820	RETURN PIPE 1"	1	
13	462454830	RETURN PIPE 1/4" -150L	1	
14	050703870	O- RING D3870G	1	
15	462215720	BRACKET BASE	1	
16	009110019	SOCKET HEAD BOLT 10X30	11	
18	462340240	FILTER FLANGE	1	
19	462454800	FITTING PT1- 70L	1	
20	954001920	SUCTION FILTER	1	
21	954010020	CONNECTOR PT, PF1/4	1	
22	954002100	ELBOW (45) PF3/4	1	
23	001520825	SOCKET HEAD BOLT 8X25 T	6	
25	959010170	OIL GAUGE	1	
27	462215730	HYDRAULIC VALVE UNIT	1	
28	501011540	ELBOW 90 DEG. 1/4	2	
29	551010530	ADAPTER 1/2 1009- 08	1	
30	009110021	SOCKET HEAD BOLT 10X75	4	
32	954001900	CAP, W/ BREATHER	1	
33	001220615	BOLT 6X15 T	4	
34	030206150	WASHER, LOCK M6	4	
36	462340250	MOTOR OIL (MSF10- 10- 3)	1	
37	001221030	BOLT 10X30 T	4	
38	030210250	WASHER, LOCK M10	4	
39	954001860	ADAPTER PF1/2- 3/8	2	
40	505013030	UNION BP- 1/4	1	
42	462340260	PUMP GEAR (YP15A)	1	
43	001221030	BOLT 10X30 T	2	
44	030210250	WASHER, LOCK M10	2	
45	952406540	WASHER 10X22X3.2	2	
46	954002070	JOINT PF1/2	1	
47	954002080	ELBOW PF3/4	1	
49	462116440	SUB OIL TANK	1	

# MVH-702DRSC COMPACTOR — HYDRAULIC SYSTEM ASSY. (CONT.)

HYDRAULIC SYSTEM ASSY.



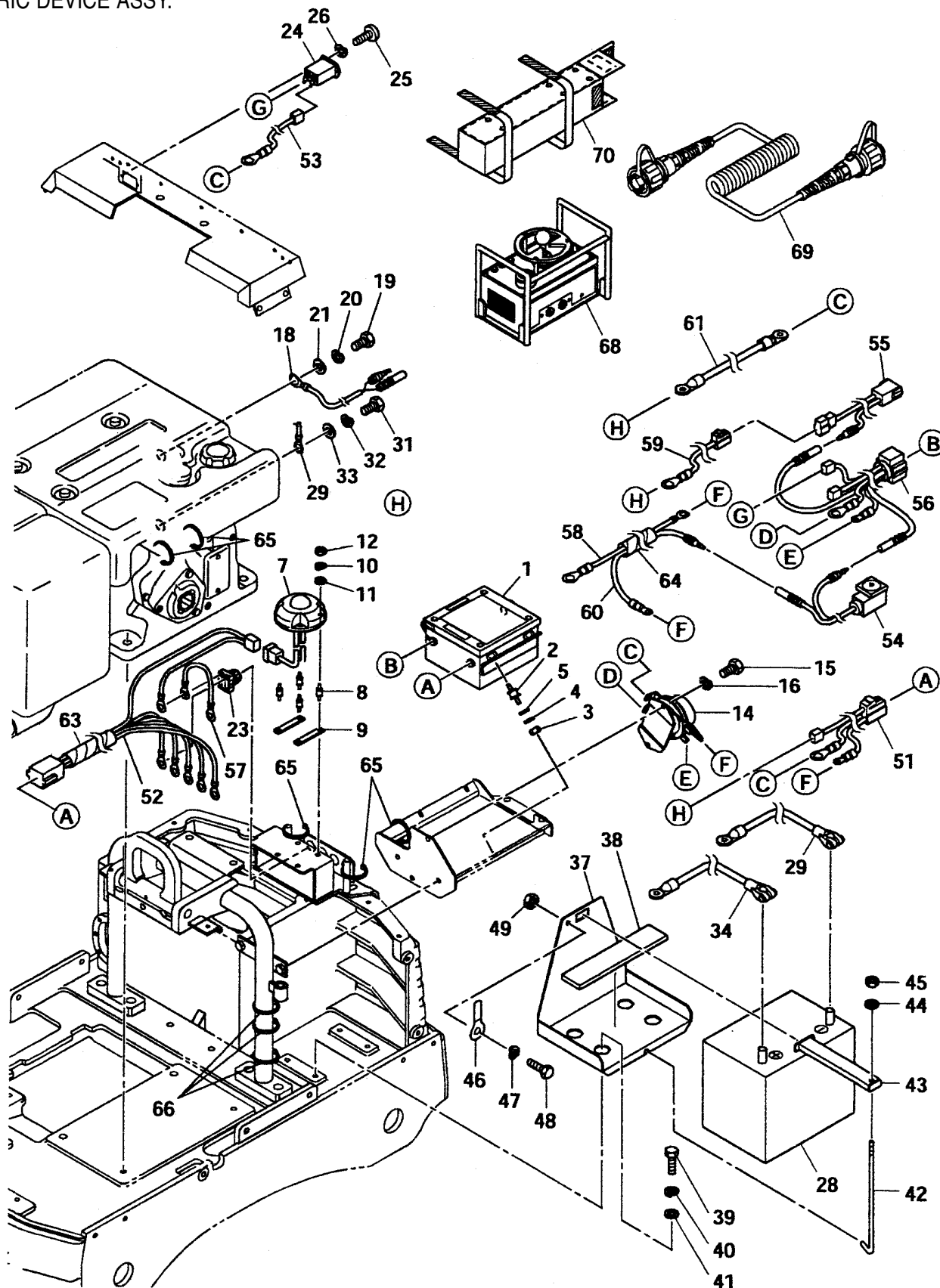
# MVH-702DRSC COMPACTOR — HYDRAULIC SYSTEM ASSY. (CONT.)

## HYDRAULIC SYSTEM ASSY.

<u>NO.</u>	<u>PART NO.</u>	<u>PART NAME</u>	<u>QTY.</u>	<u>REMARKS</u>
50	462116450	SUB OIL TANK BASE	1	
51	551010530	ADAPTER 1/2 1009- 08	3	
52	001521025	SOCKET HEAD BOLT 10X25 T	4	
53	050101200	O-RING G- 120	1	
54	954002050	SOCKET HEAD PLUG PT1/2	1	
55	954002040	FITTING PT1(H)	1	
56	001221035	BOLT 10X35 T	4	
57	030210250	WASHER, LOCK M10	4	
58	031110160	WASHER, FLAT M10	4	
59	954002060	PIPE SLEEVE PT1- 26D- 82L	2	
60	954001910	OIL FILTER (CP08- 175)	1	
62	954001990	OIL HOSE 1/4- 810L	1	
63	954002000	OIL HOSE 1/4- 900L	1	
64	954002950	OIL HOSE 1/4- 1005- 470	1	
65	954001940	OIL HOSE 1/2- 1005- 295	1	
66	954001930	OIL HOSE 1/2- 1005- 395	1	
67	954001960	OIL HOSE 1/2- 1005- 370	1	
68	954001970	OIL HOSE 1/2- 1005- 310	1	
69	954002610	OIL HOSE 1/4- 1005- 350L	1	
70	954002010	OIL HOSE 3/4- 1005- 285	1	
71	954002020	OIL HOSE #25- 310L	1	
72	954406580	BAND AH- 1038	2	
74	954010200	ELBOW 45 DEG. PF1/4- PT1/4	3	
76	954001890	VIBRATOR BREATHER	1	
77	954010020	CONNECTOR PT, PF1/4	1	
79	511010040	CLAMP TC- 300	1	

# MVH-702DRSC COMPACTOR — ELECTRIC DEVICE ASSY.

ELECTRIC DEVICE ASSY.



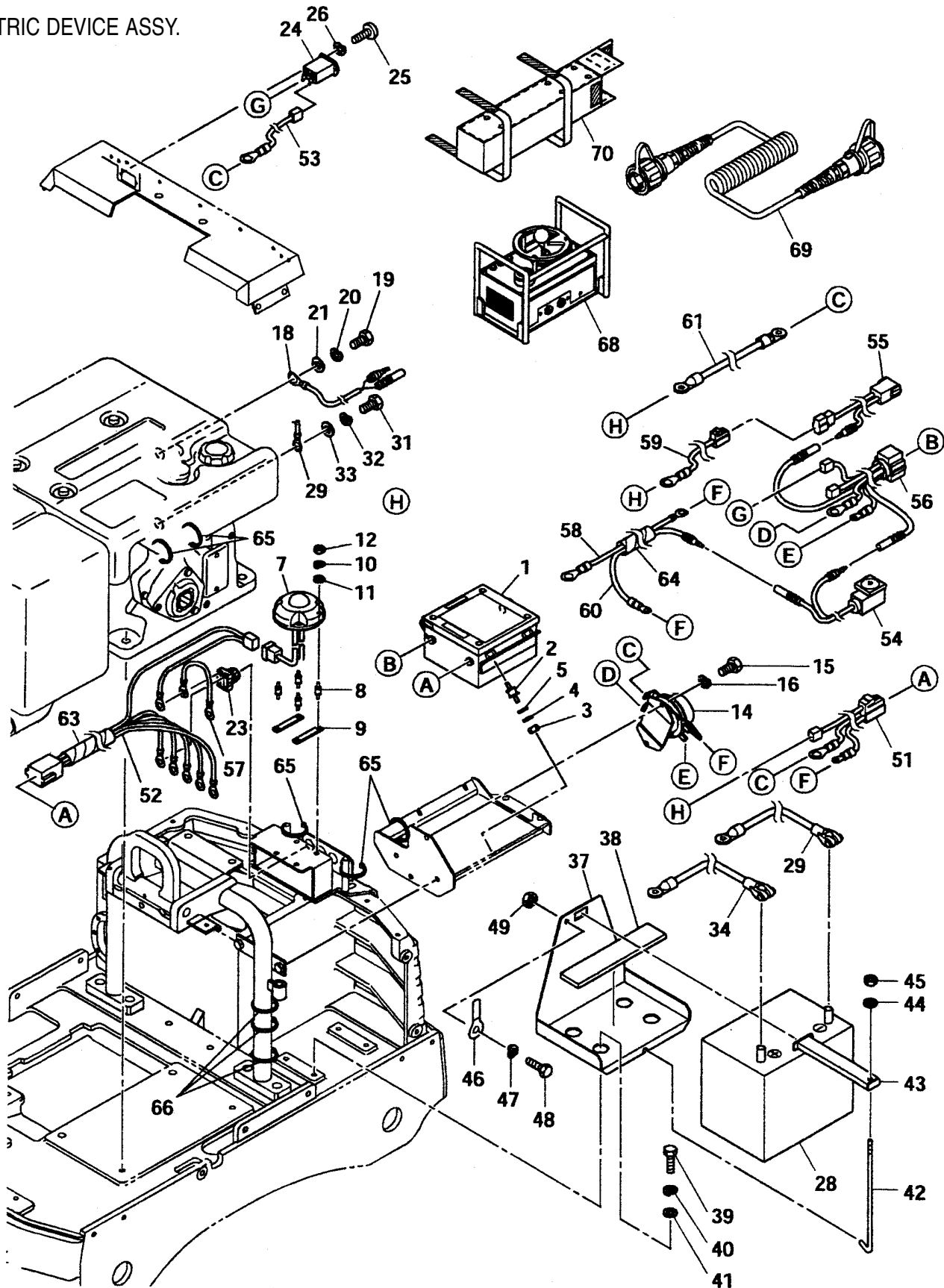
# MVH-702DRSC COMPACTOR — ELECTRIC DEVICE ASSY.

## ELECTRIC DEVICE ASSY.

<u>NO.</u>	<u>PART NO.</u>	<u>PART NAME</u>	<u>QTY.</u>	<u>REMARKS</u>
1	462340660	RECIEVER	1	
2	930402021	SHOCK ABSORBER	4	
3	020306050	NUT M6	8	
4	030206150	WASHER, LOCK M6	8	
5	031106100	WASHER, FLAT M6	8	
7	462340530	FLASHING LAMP(RECEIVING)	1	
8	930601220	SHOCK ABSORBER KA- 12	4	
9	462454880	NUT PLATE	2	
10	030205130	WASHER, LOCK M5	4	
11	031105080	WASHER, FLAT M5	4	
12	020305040	NUT M5	4	
14	462340270	BATTERY RELAY 2	1	
15	001220820	BOLT 8X20 T	2	
16	030208200	SW M8	2	
18	462340520	OVER HEAT SENSOR	1	
19	001221020	BOLT 10X20 T	1	
20	030210250	WASHER, LOCK M10	1	
21	031110160	WASHER, FLAT M10	1	
23	462455120	LED LAMP (LU22)	4	
24	955406560	HOUR METER 85000 (HOBBS)	1	
25	091003512	SCREW 3.5X12	2	
26	030203580	WASHER, LOCK M3.5	2	
28	955010013	BATTERY 75D23R	1	
29	462454870	BATTERY TERMIN AL (-) W /CORD	1	
31	001221020	BOLT 10X20 T	1	
32	030210250	WASHER, LOCK M10	1	
33	031110160	WASHER, FLAT M10	1	
34	462454860	BATTERY TERMINAL (+) W /CORD	1	
37	462340280	BATTERY BASE	1	
38	456447600	RUBBER PLATE 50X240X10	2	
39	001221020	BOLT 10X20 T	4	
40	030210250	WASHER, LOCK M10	4	
41	031110160	WASHER, FLAT M10	4	
42	462454840	BATTERY BOLT	1	
43	462454850	BATTERY HOLDER	1	
44	031108160	WASHER, FLAT M8	1	
45	022710809	NYLON NUT M8	1	
46	0566000170	CLAMP	1	
47	030208200	WASHER, LOCK M8	1	
48	001220815	BOLT 8X15 T	1	
49	020308060	NUT M8	1	

# MVH-702DRSC COMPACTOR — ELECTRIC DEVICE ASSY. (CONT.)

ELECTRIC DEVICE ASSY.



# MVH-702DRSC COMPACTOR — ELECTRIC DEVICE ASSY. (CONT.)

## ELECTRIC DEVICE ASSY.

<u>NO.</u>	<u>PART NO.</u>	<u>PART NAME</u>	<u>QTY.</u>	<u>REMARKS</u>
51	462340480	HARNESS (PS)	1	
52	462340510	HARNESS (LED, F. LAMP)	1	
53	462340470	HARNESS (HOUR METER)	1	
54	462340460	HARNESS (MAGNET VALVE)	1	
55	462340500	HARNESS (REGU.- GENERATOR)	1	
56	462340490	HARNESS (ENGINE, RECEIVER)	1	
57	462455100	HARNESS (LED)	3	
58	462455090	HARNESS (RELAY EARTH)	1	
59	462455110	HARNESS (STARTER, REGULATOR)	1	
60	462455080	HARNESS (MAG. VALVE /JOINT)	1	
61	462454890	HARNESS (RELAY- ELECT. MOTOR)	1	
63	959021821	SPIRAL TUBE 6D- 120L	2	
64	959021814	SPIRAL TUBE 6D- 200L	1	
65	507010110	CLAMP TC- 200	6	
66	511010040	CLAMP TC- 300	3	
68	462340670	TRANSMITTER	1	
69	462340540	CONTROL CABLE	1	
70	462340450	CABLE BAG	1	