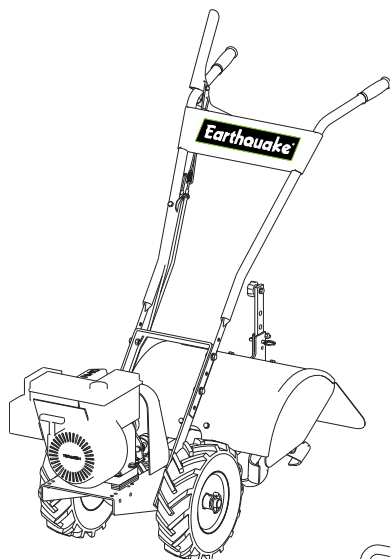


Earthquake®

CRT ROTOTILLERS OPERATORS MANUAL

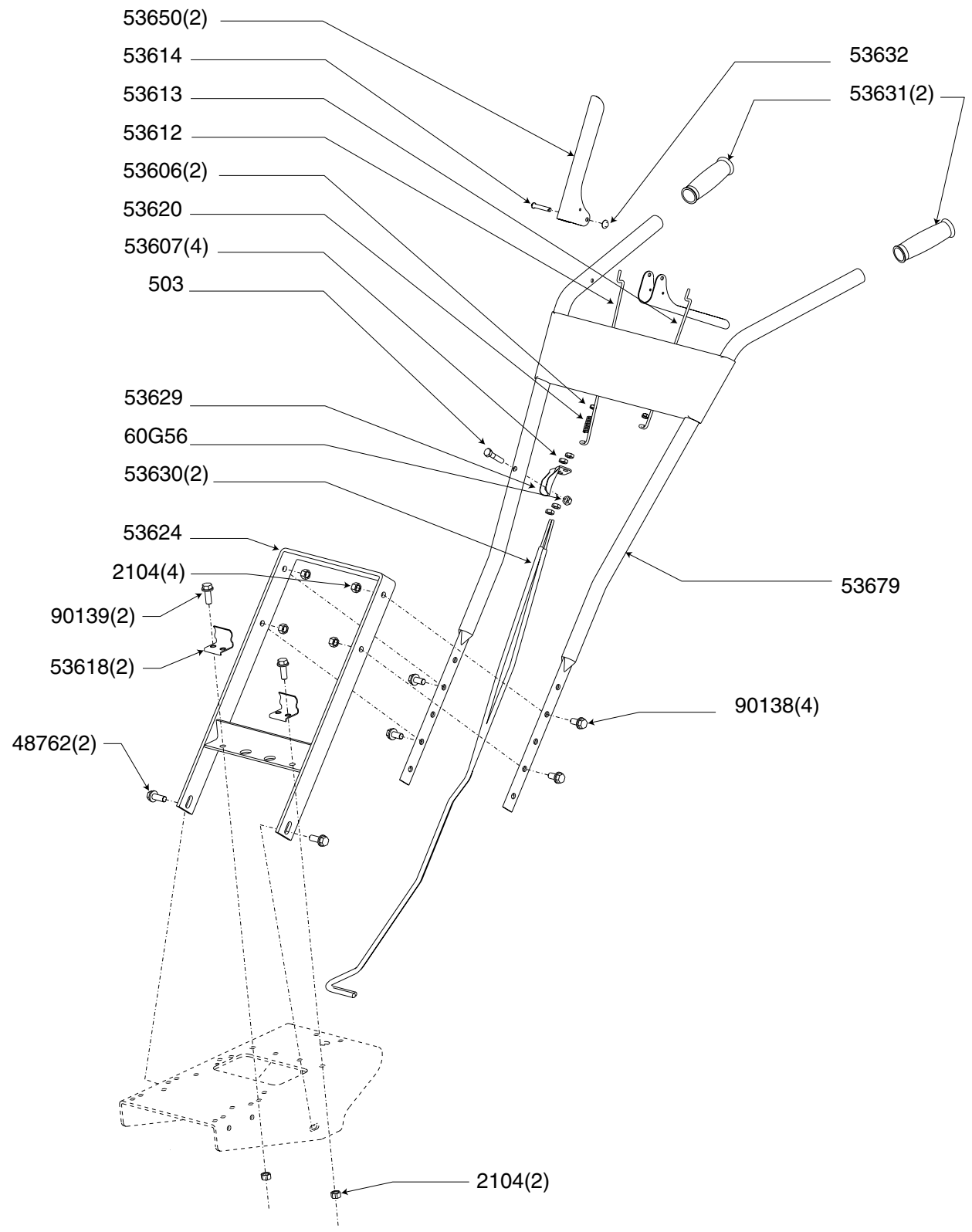


**5055
BRIGGS & STRATTON
4-CYCLE 206CC
8.50 FT-LBS GROSS TORQUE**



**6065VE
VIPER ELECTRIC
4-CYCLE, 196 CC**

CRT HANDLEBAR PARTS



CRT HANDLEBAR PARTS LIST

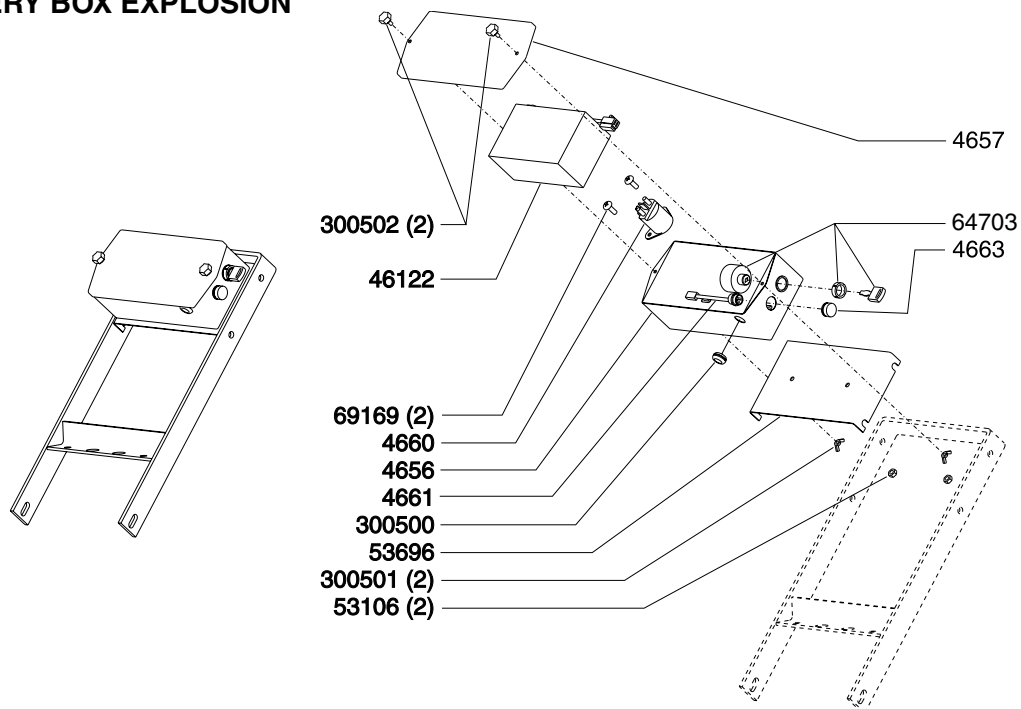
PART #	DESCRIPTION	QTY.
2104	Nut Hex Two-Way 3/8-16	6
48762	Bolt 3/8-16 x 1" Carriage	2
503	Bolt 5/16-24x1" HH GR5	1
53606	Nut-Nyloc, #10	2
53607	Nut-Jam, 5/16-24	4
53612	Link 11-5/8" long	1
53613	Link 9-1/2" long	1
53614	Pin Clevis 1/4 x 1-1/2"	1
53618	Belt Guard Clip	2
53620	Spring Compression Forward Arm	1
53624	Handlebar Mount Weldment	1
53629	Cable Mount Bracket	1
53630	Cable - Rear Tine 39" Sheath	2
53631	Grip Handlebar 1" ID Flangeless	2
53632	Nut Push 1/4"	1
53650	Lever Control Rear Tine	2
53679	Handlebar Weldment	1
60G56	Nut-Bi-Way Lock, 5/16-18	1
90138	Bolt 3/8-16 x 3/4 Serrated Flange	4
90139	Bolt 3/8-16 x 1"	2

6065VE ELECTRICAL PARTS LIST

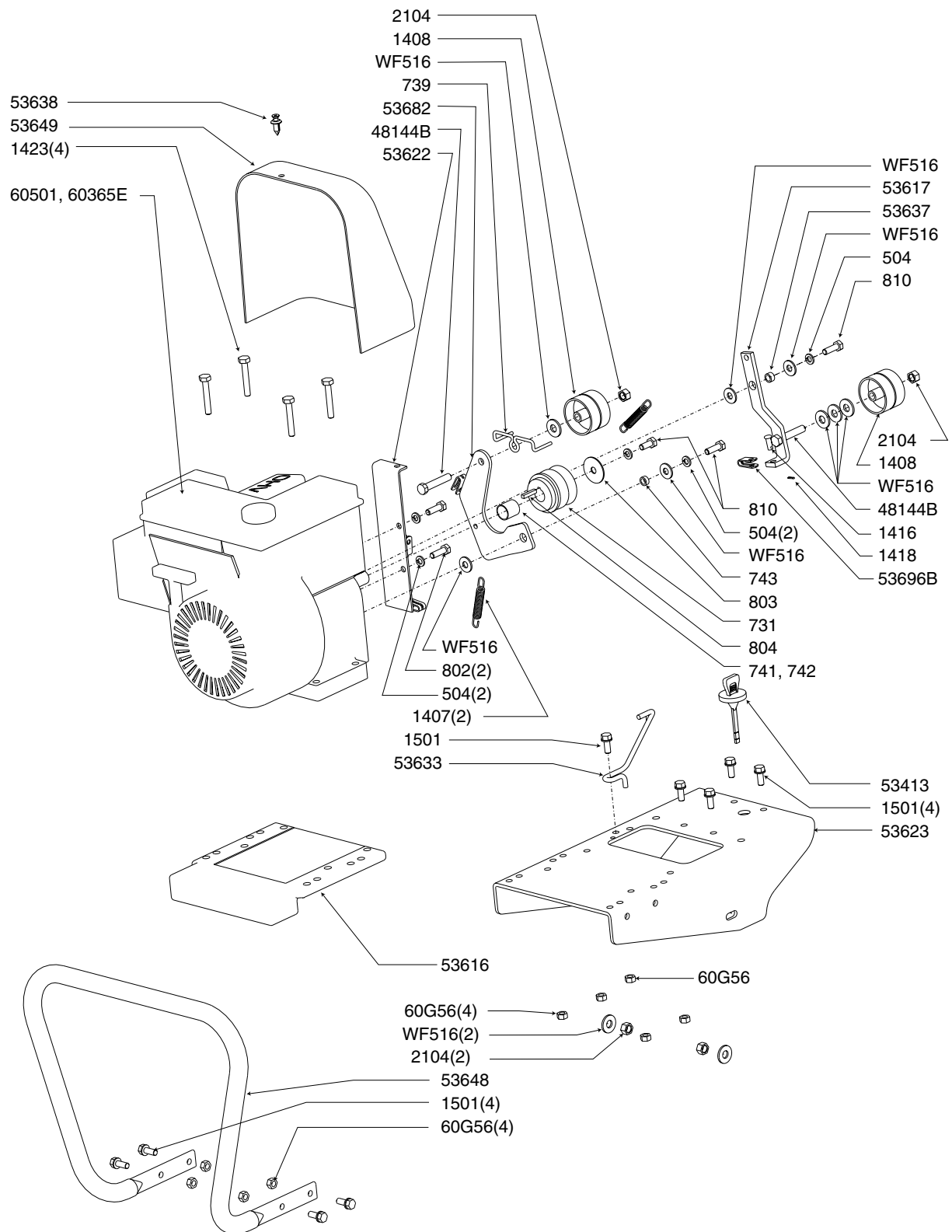
PART #	DESCRIPTION	QTY.
300500	Grommet, 1/2" ID	1
300501	Nut, Wing M5 x .8	2
300502	Screw, Thumb M5 x .8	2
300503	Wiring Harness (not shown)	1
46122	Battery, 12-Volt 7-Amp	1
4656	Battery Box	1
4657	Cover, Battery Box	1
4660	Solenoid	1
4661	Charger Pigtail	1
4663	Cap, Charger Pigtail	1
4681	Battery Charger (not shown)	1
53106	Nut, Bi-Way Lock 1/4-20	2
53696	Support, Battery Box	1
64703*	Switch, Key	1
69169	Bolt, Phillips Truss Hd 1/4-20 x 3/4"	2
53705	Electrical Pack Assembly w/Charger (not shown)	1

* On Model 6065VE the key switch is located on the engine.

6065VE BATTERY BOX EXPLOSION



CRT MOTOR MOUNT PARTSN

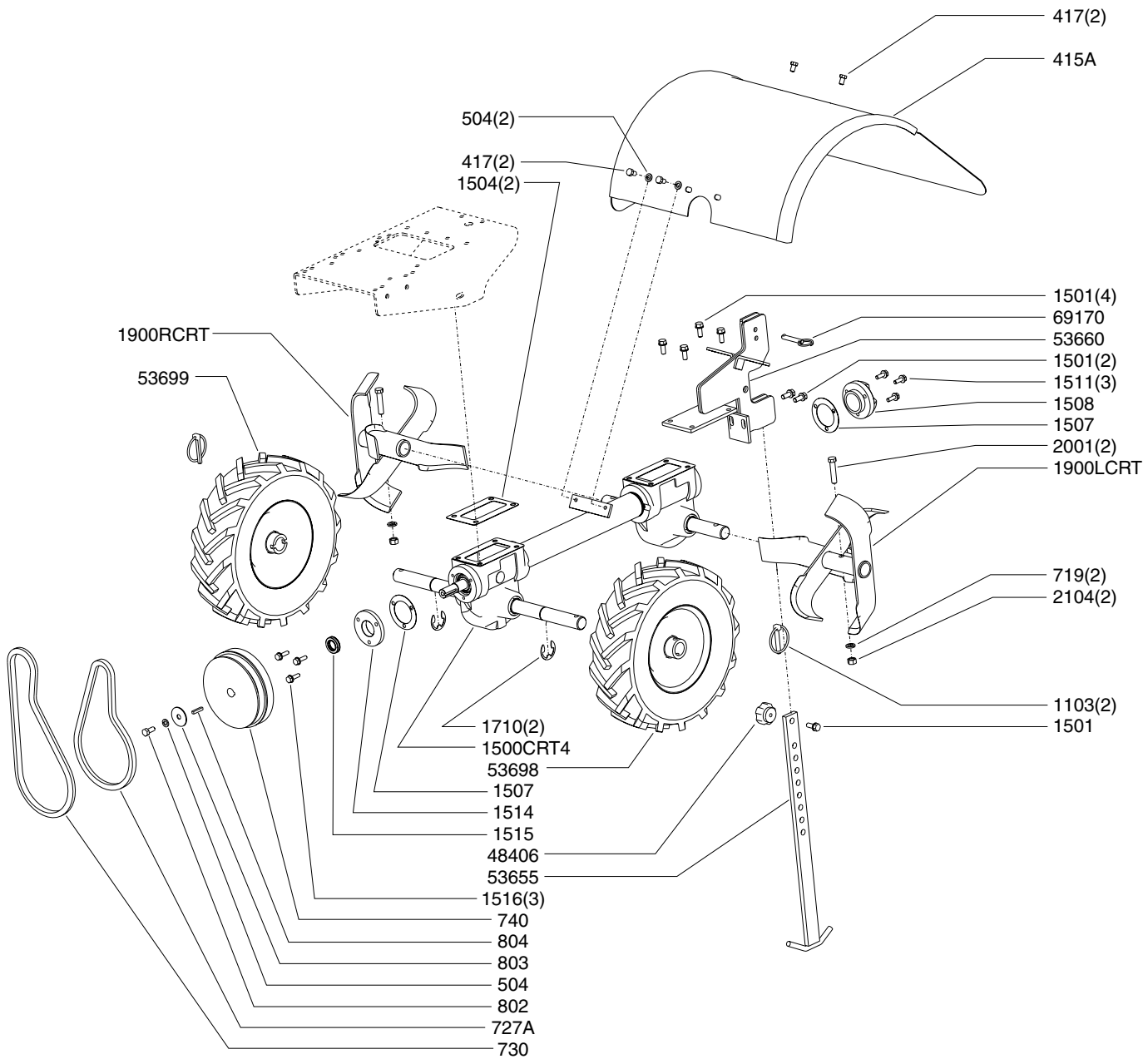


CRT MOTOR MOUNT PARTS LIST

PART #	DESCRIPTION	QTY.
1407	Forward Arm Spring	2
1408	Forward Pulley Idler	2
1416	Clevis Pin	1
1418	Cotter Pin 5/64" x 1/2"	1
1423	Bolt 5/16-18 x 2"	4
1501	Bolt 5/16-18 x 3/4"	9
2104	Nut 3/8-16	4
48144B	Bolt 3/8-16 x 2"	2
504	Lock Washer Spring 5/16"	5
53413	Dip Stick	1
53596B	Clevis Yoke Zinc Plated	1
53616	Spacer, Engine Weight Block	1
53617	Forward Arm	1
53622	Cable Pull Weldment	1
53623	Motor Mount	1
53633	Belt Guide	1
53637	Forward Arm Bushing	1
53638	Plastic Push-in Rivet	1

PART #	DESCRIPTION	QTY.
53648	Bumper Guard (6065VE)	1
53649	Belt Guard	1
53682	Reverse Tine Weldment	1
60365E	Engine, Viper Electric 196 CC (6065VE)	1
60501	Engine, Briggs & Stratton 206 CC, 8.50 ft-lbs Gross Torque	1
60G56	Nut Bi-Way Lock 5/16-18	9
731	Two Groove Pulley 3/4"	1
739	Reverse Belt Guide	1
741	Spacer, Drive Pulley .900" (6065VE)	1
742	Spacer, Drive Pulley .550"	1
743	Reverse Arm Bushing	1
802	Bolt 5/16-24 x 3/4"	2
803	Washer 5/16" x 1-1/2"	1
804	Key 3/16" x 1"	1
810	Bolt 5/16-24 x 1"	3
WF516	Flat Washer 5/16"	10

CRT TINES & HOOD PARTS

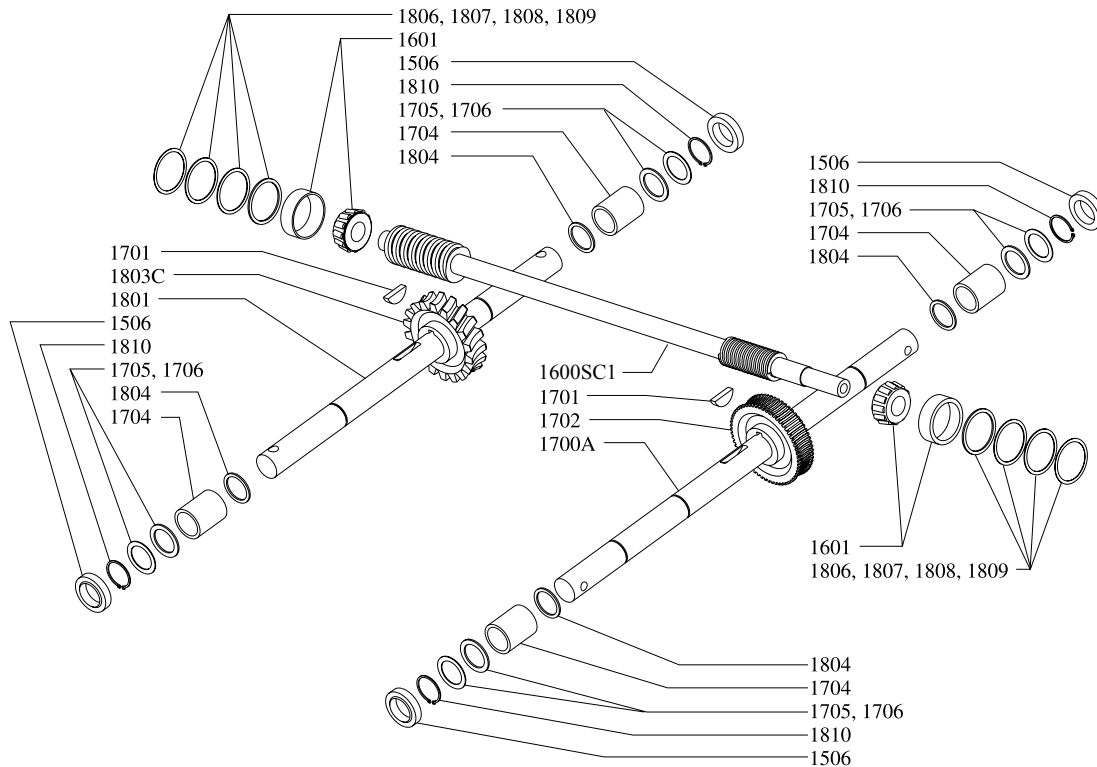


CRT TINES & HOOD PARTS LIST

PART #	DESCRIPTION	QTY.
1103	Lock Pin 5/16" x 1-3/4"	2
1500CRT4	Transmission Assembly, Lock Pin	1
1501	Bolt 5/16-18 x 3/4"	7
1504	Gasket, Transmission	2
1507	Gasket, Bearing Cap	2
1508	Rear Bearing Cap	1
1511	Bolt 1/4-20 x 7/8"	3
1514	Front End Cap	1
1515	Seal Oil Drive Shaft	1
1516	Bolt 1/4-20 x 3/4"	3
1710	External Snap Ring	2
1900LCRT	Left Tine Set	1
1900RCRT	Right Tine Set	1
2001	Bolt 3/8-16 x 1-3/4"	2
2104	Nut, Bi-Way Lock 3/8-16	2
417	Bolt 5/16-18 x 1/2" HH GR5	4

PART #	DESCRIPTION	QTY.
48406	Black Knob 5/16-18	1
504	Lock Washer Spring 5/16"	3
415A	Hood Assembly	1
53655	Drag Weldment	1
53660	Tail Mount Depth Regulator	1
53698	Wheel, Left Lock Pin	1
53699	Wheel, Right Lock Pin	1
69170	Detent Pin 5/16 x 2" Zinc	1
719	Spring Washer 3/8"	2
727A	Forward Belt	1
730	Reverse Belt	1
740	Pulley, Two Groove Transmission	1
802	Bolt 5/16-24 x 3/4"	1
803	Washer 5/16" x 1-1/2"	1
804	Key 3/16" x 1"	1

CRT WHEEL & TILLER SHAFT PARTS & PARTS LIST



PART #	DESCRIPTION	QTY.
1500CRT4	Transmission Complete, Lock Pin	1
1506	Seal-Tiller Housing	4
1600SC1	Main Drive Shaft, CRT Short	1
1601	Bearing-Tapered (Includes Cone & Race)	2
1700A	Wheel Shaft Assembly, Lock Pin	1
1701	Key 1/4" x 1"	2
1702	Gear-Worm, Brass, 61 Tooth, Wheel Shaft	1
1703	Shim Set-Axle Spacer Kit (not shown)	4
1704	Bushing	4
1705	Shim, 1.375 OD x .062" thick, (as required.)	4
1706	Shim, 1.375 OD x .030" thick, (as required.)	2

PART #	DESCRIPTION	QTY.
1801	Tine Shaft	1
1803C	Gear-Worm, Brass, 30 Tooth, LH, Tiller Shaft	1
1804	Spacer, 1.250" x 1.000" x .062" thick	4
1805	Shim Set-Bearing Cap (not shown)	2
1806	Shim, 1.750 OD x .062" thick, (as required.)	6
1807	Shim, 1.750 OD x .030" thick, (as required.)	2
1808	Shim, 1.750 OD x .015" thick, (as required.)	2
1809	Shim, 1.750 OD x .010" thick, (as required.)	2
1810	Snap Ring-Retainer, Internal	4
494	Casting, Tiller Transmission	1