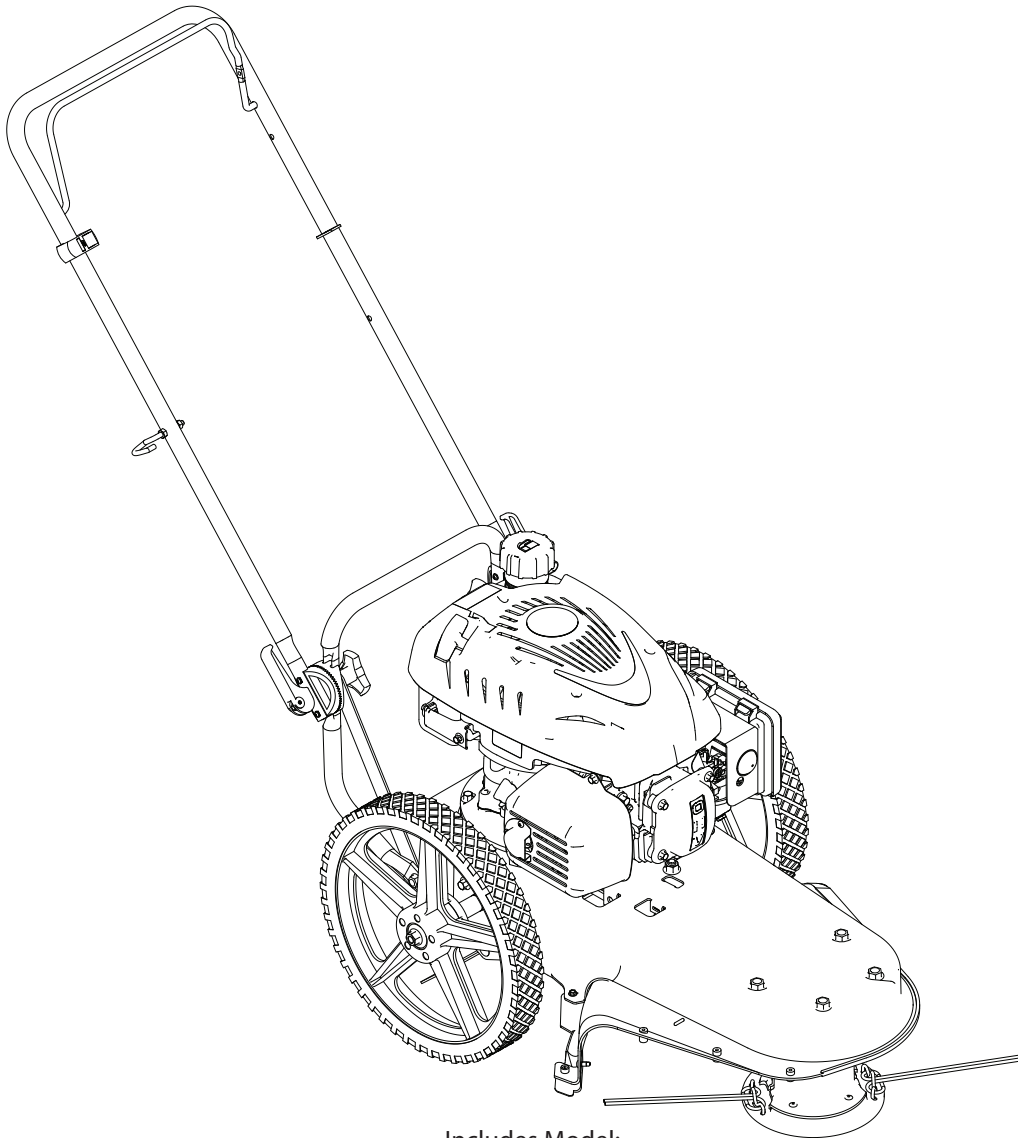



FIELDS EDGE™
STRING MOWERS

Operator's Manual
String Mower M200

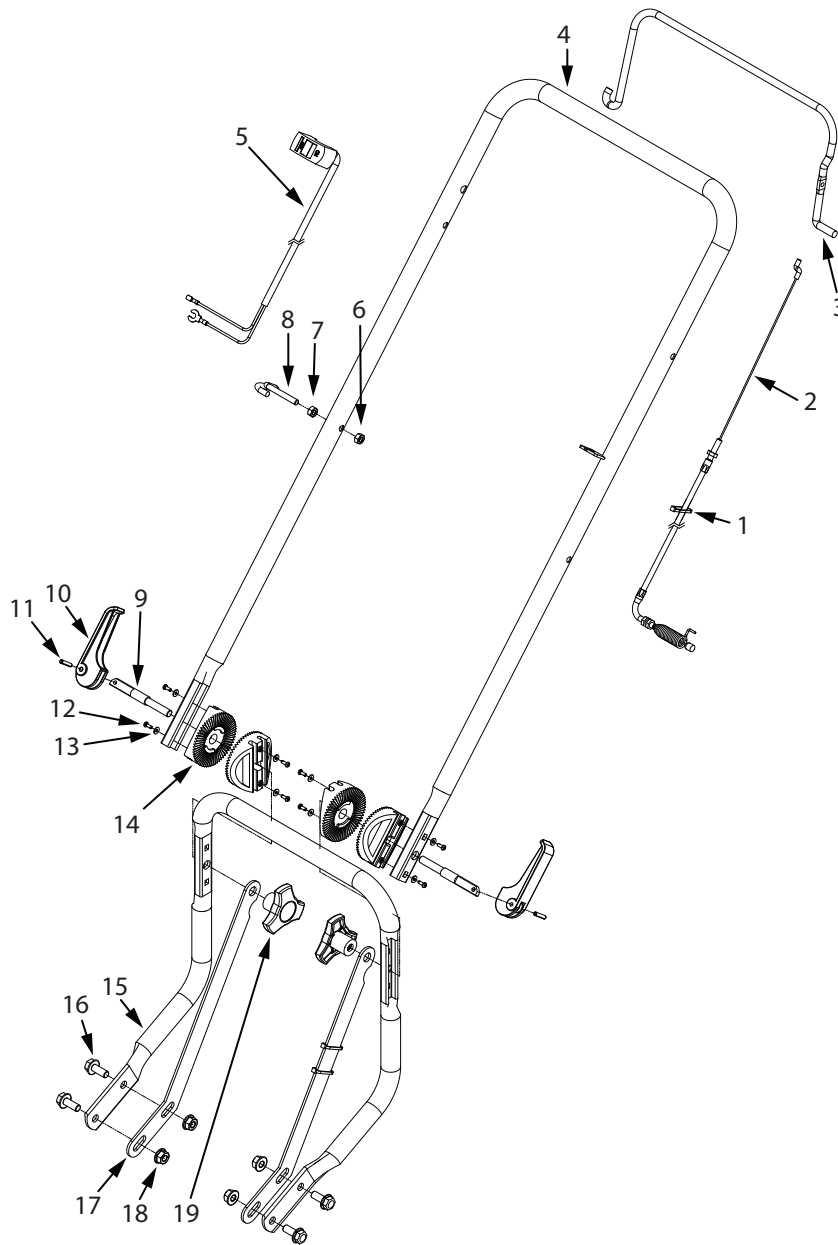
SN



Includes Model:
M200



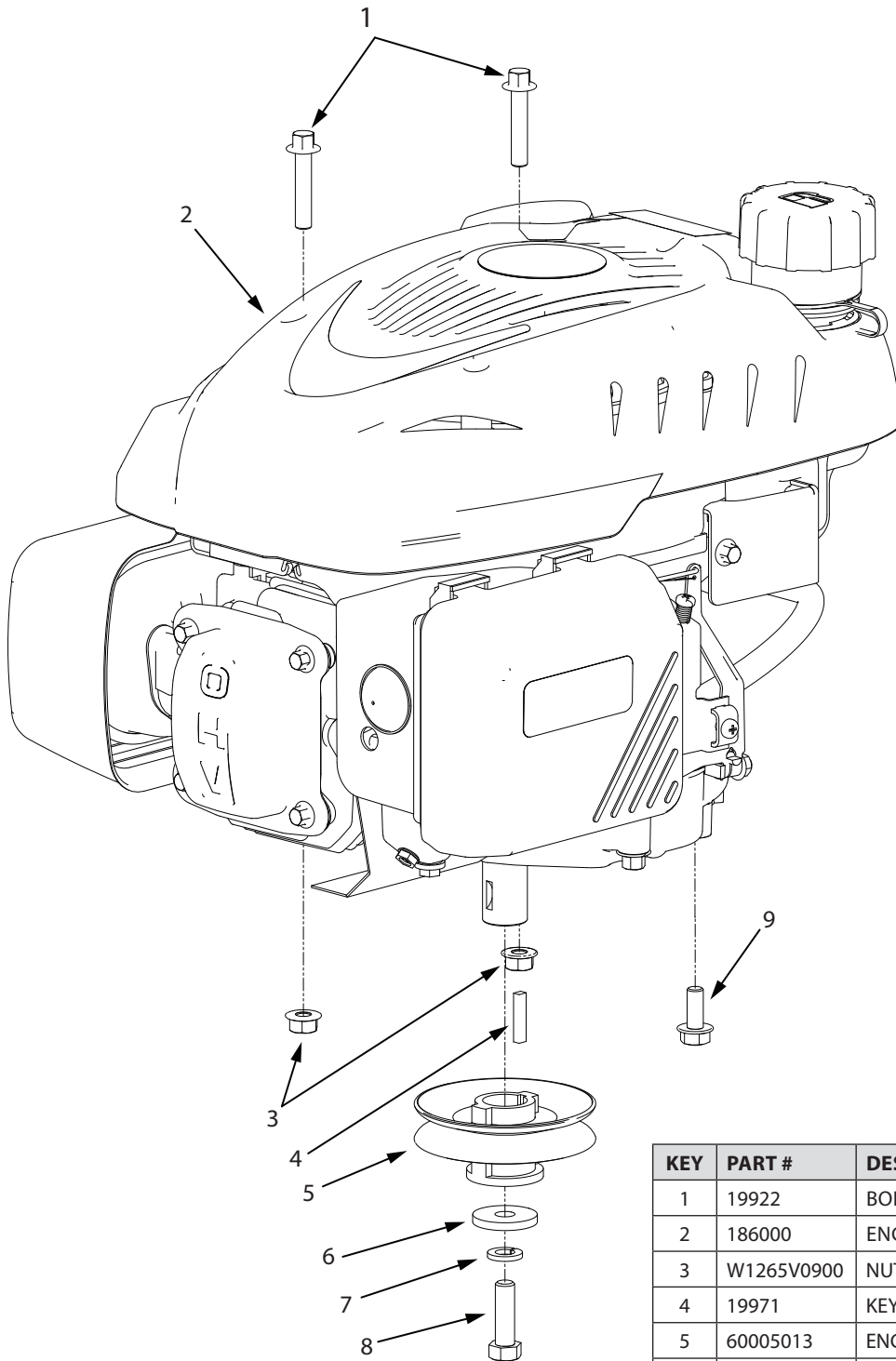
P/N: 22230
ECN: 10789
REV1: 03/27/2015
© 2015 Ardisam, Inc.
All Rights Reserved

PARTS BREAKDOWN
Handlebars


KEY	PART #	DESCRIPTION	QTY.
1	106	ZIP TIE 5.75 INCH BLACK	3
2	17257	CLUTCH CABLE STRING MOWER	1
3	17528	CONTROL LEVER	1
4	17526	UPPER HANDLEBAR	1
5	17471	ON/OFF SWITCH STRING MOWER	1
6	W1265V0913	NUT M6 X 10 NYLOC	1
7	19939	NUT M6 X 1.0 HEX	1
8	19902	ROPE GUIDE M6 X 1.0 OPEN EYE	1
9	16311	HANDLE ADJUST BOLT M8	2
10	19972	CAM LEVER BLACK	2

KEY	PART #	DESCRIPTION	QTY.
11	19973	RIVET M4 X 20	2
12	16397	SCREW M3 X 10 PHILIPS	8
13	16360	WASHER M3 X 0.8 THICK	8
14	19912	HANDLE PIVOT BLACK	1
15	19941	LOWER HANDLEBAR	4
16	19945	BOLT M8 X 1.25 X 20 HEX	1
17	18893	HANDLEBAR BRACE STRING MOWER	4
18	64132	NUT M8 X 1.25	2
19	13601	KNOB M8 THREE STAR BLACK	4

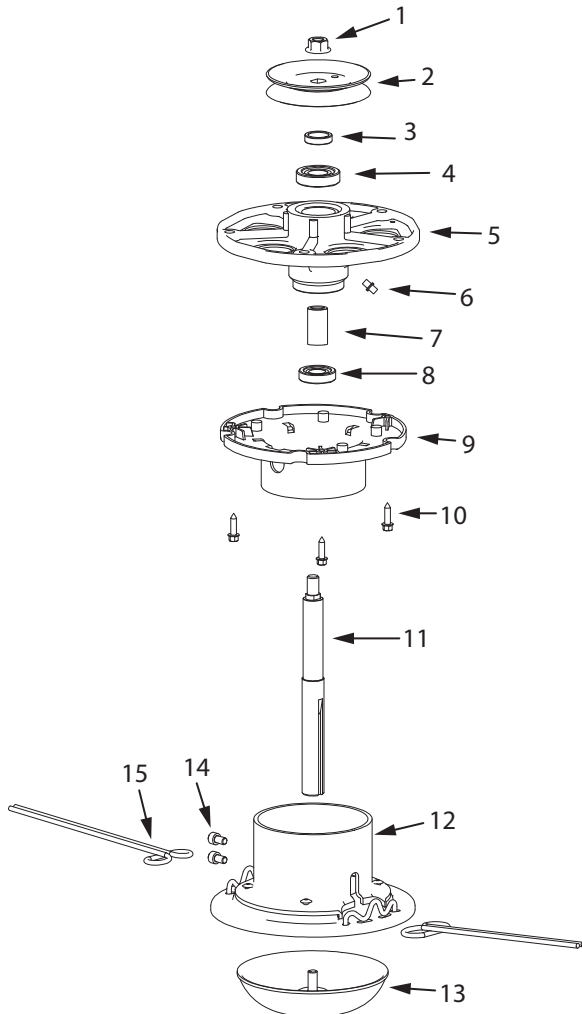
Engine and Pulley Attachment



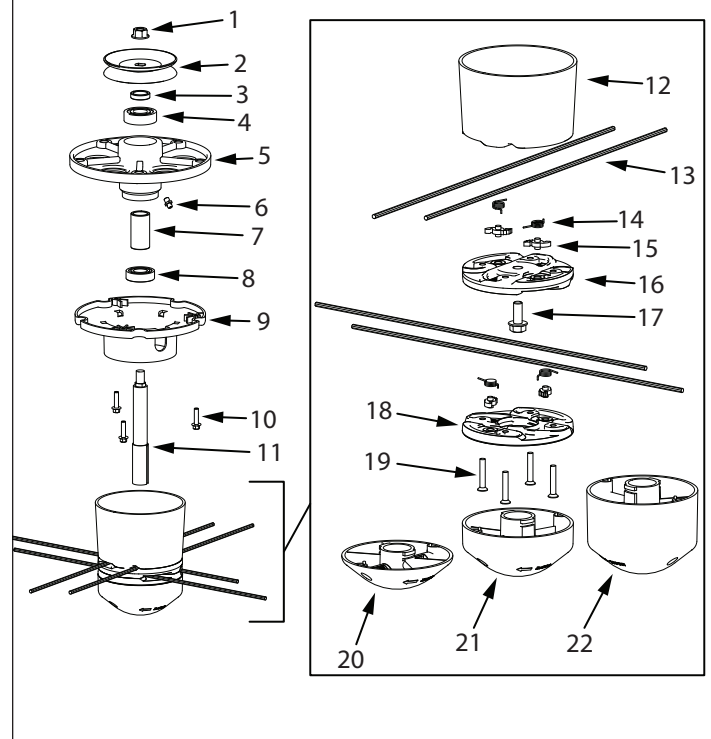
KEY	PART #	DESCRIPTION	QTY.
1	19922	BOLT M8 X 1.25 X 40 HEX	2
2	186000	ENGINE 173CC VIPER VERTICAL	1
3	W1265V0900	NUT M8 X 1.25 NYLOC	2
4	19971	KEY 4 X 4 X 20 MM	1
5	60005013	ENGINE PULLEY	1
6	331040	FLAT WASHER 10 X 32 X 4 MM	1
7	1916965	WASHER 3/8 INCH SPRING LOCK	1
8	1426	BOLT 3/8-16 X 1-1/4 HEX	1
9	19945	BOLT M8 X 1.25 X 20 HEX	1

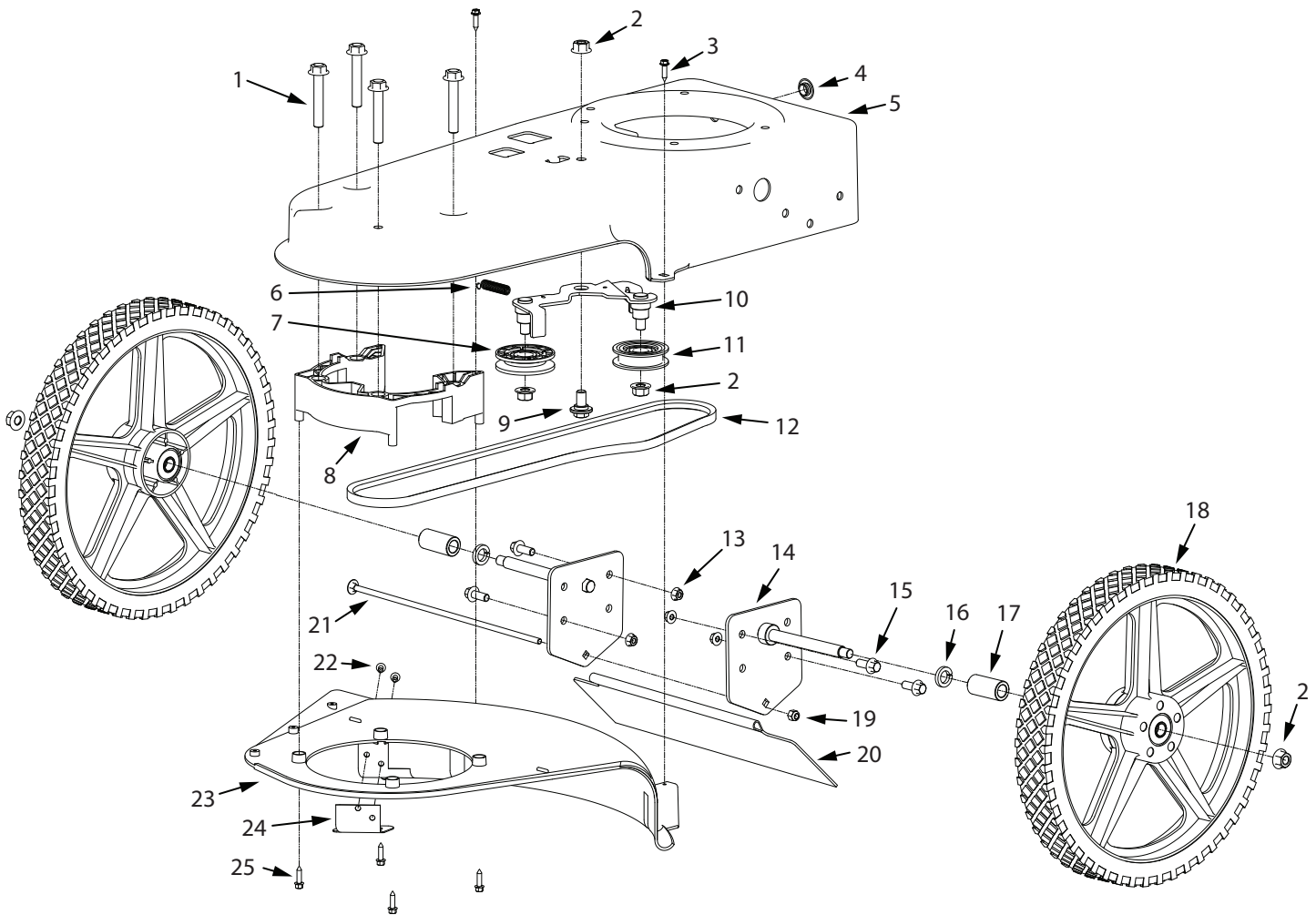
Mower Head - Standard Version

KEY	PART #	DESCRIPTION	QTY.
1	16903	NUT M10 X 1.5 X 14 NYLOC HEX FLANGE	1
2	16595	PULLEY ASSEMBLY STRING MOWER	1
3	19925	SPACER M17.5 X 23.5 X 6	1
4	19966	BEARING 17 X 40 X 12 MM	1
5	16317	HOUSING JACKSHAFT STRING MOWER	1
6	16598	GREASE FITTING M6 X 1.0	1
7	19960	SPACER JACKSHAFT STRING MOWER	1
8	19959	BEARING 17 X 35 X 10 MM	1
9	16337	WEED WRAP STRING MOWER	1
10	16799	BOLT M5 X 0.08 X 20 HEX	3
11	19928	JACKSHAFT M10 X 1.5 STRING MOWER	1
12	19924	CUTTER HEAD AND WRAP ASSEMBLY	1
13	19923	HEIGHT GUIDE ASSEMBLY	1
14	19919	BOLT M6 X 1.0 X 10 SOCKET HEAD	2
15	21884	KIT LINE 0.155 INCH STRING MOWER	1


Mower Head - Slide-Through Version

KEY	PART #	DESCRIPTION	QTY.
1	16903	NUT M10 X 1.5 X 14 NYLOC HEX FLANGE	1
2	16595	PULLEY ASSEMBLY STRING MOWER	1
3	19925	SPACER M17.5 X 25.5 X 6	1
4	19966	BEARING 17 X 40 X 12 MM	1
5	16317	HOUSING JACKSHAFT STRING MOWER	1
6	16598	GREASE FITTING M6 X 1.0	1
7	19960	SPACER JACKSHAFT STRING MOWER	1
8	19959	BEARING 17 X 35 X 10 MM	1
9	16337	WEED WRAP STRING MOWER	1
10	16799	BOLT M5 X 0.08 X 20 HEX	3
11	16321	JACKSHAFT STRING MOWER	1
12	16662	WEED HEAD TOP STRING MOWER	1
13	16849	KIT LINE 4MM STRING MOWER	1
14	16670	SPRING WEED HEAD STRING MOWER	4
15	16669	CAM WEED HEAD STRING MOWER	4
16	16663	WEED HEAD MID-LEVEL STRING MOWER	1
17	19945	BOLT M8 X 1.25 X 20 HEX	1
18	16664	WEED HEAD BOTTOM STRING MOWER	1
19	16817	BOLT M5 X 0.08 X 30 PHILIPS	4
20	16665	BUMP HEAD 1 STRING MOWER	1
21	16666	BUMP HEAD 2 STRING MOWER	1
22	16668	BUMP HEAD 3 STRING MOWER	1



Base Unit


KEY	PART #	DESCRIPTION	QTY.
1	19927	BOLT M10 X 1.5 X 60 HEX	4
2	16903	NUT M10 X 1.5 X 13 NYLOC	5
3	16889	SCREW 4.8 X 1.6 X 20 MM PHILIPS	2
4	19944	BUSHING M12 X 23 RUBBER	1
5	60005058	DECK FRAME	1
6	60005008	EXTENSION SPRING 1.5 INCH LONG	1
7	19968	"V" PULLEY AND BEARING	1
8	16318	SPACER JACKSHAFT STRING MOWER	1
9	19936	BOLT M10 X 1.5 X 20 HEX SHLDR	1
10	19932	IDLER BRACKET ASSEMBLY	1
11	19934	PULLEY 3L AND BEARING	1
12	60005003	BELT 3L 45.5 (18.75)	1

KEY	PART #	DESCRIPTION	QTY.
13	16400	NUT M8 X 1.0 NYLOC	4
14	19938	AXLE AND BRACKET ASSEMBLY	2
15	19945	BOLT M8 X 1.25 X 20 HEX	4
16	18898	WASHER M14 X 22 X 3.8 SPRING LOCK	2
17	19904	WHEEL SPACER 14 X 22 X 43 MM	2
18	18773	KIT WHEEL & BEARINGS	2
19	W1265V0913	NUT M6 X 1.0 NYLOC	1
20	60005018	TRAILING SHIELD 13.28 V	1
21	19937	BOLT M6 X 1.0 X 285 CARRIAGE	1
22	19953	RIVET M5 X 10 PHILIPS HEX	2
23	60005021	SHIELD MOWER BLACK	1
24	16540	CUTTER LINE STRING MOWER	1
25	19931	SCREW M5 X 3 X 15 PHILIPS	4