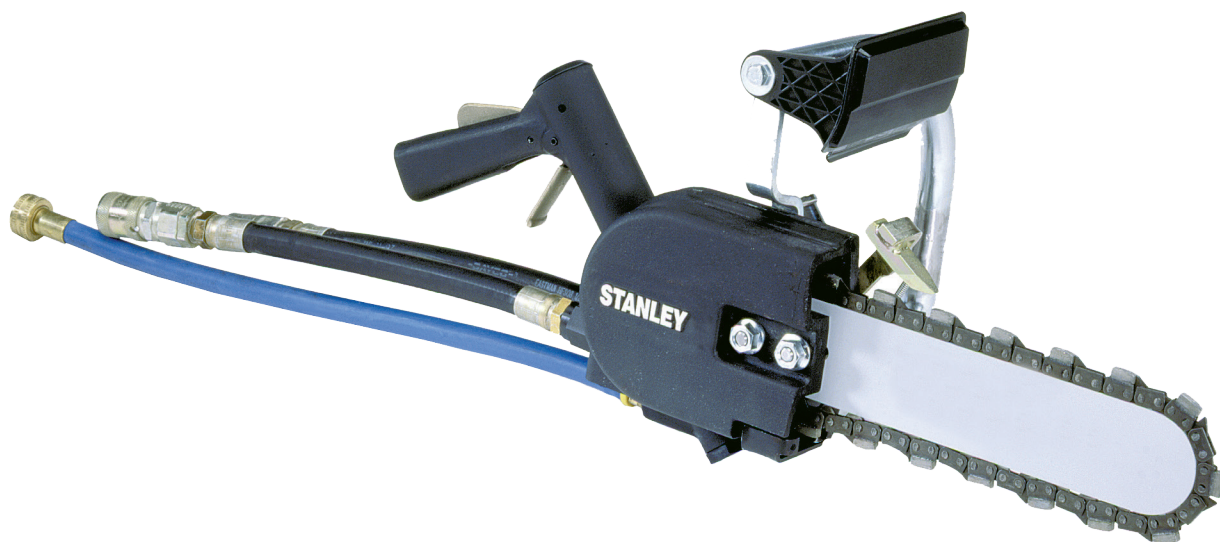


STANLEY®

DS06 HYDRAULIC DIAMOND SAW



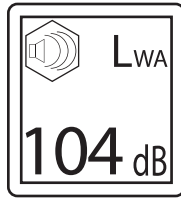
USER MANUAL
Safety, Operation and Maintenance



TOOL STICKERS & TAGS



11206
Circuit C Decal (5-GPM Models)
11207
Circuit D Decal (8-GPM models)



81438
Sound Level Decal



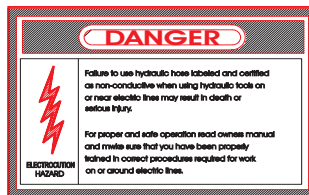
28323
CE Decal



73659
Name Tag Decal
(5-GPM Models)



28409
Composite Decal



12412
Warning Sticker-Electrical



74806
Name Tag Decal
(8-GPM Models)

NOTE:
THE INFORMATION LISTED ON THE STICKERS SHOWN, MUST BE LEGIBLE AT ALL TIMES.
REPLACE DECALS IF THEY BECOME WORN OR DAMAGED. REPLACEMENTS ARE AVAILABLE FROM YOUR LOCAL STANLEY DISTRIBUTOR.

The safety tag (P/N 15875) at right is attached to the tool when shipped from the factory. Read and understand the safety instructions listed on this tag before removal. We suggest you retain this tag and attach it to the tool when not in use.

DANGER

1. FAILURE TO USE HYDRAULIC HOSE LABELED AND CERTIFIED AS NON-CONDUCTIVE WHEN USING HYDRAULIC TOOLS ON OR NEAR ELECTRICAL LINES MAY RESULT IN DEATH OR SERIOUS INJURY.
BEFORE USING HOSE LABELED AND CERTIFIED AS NON-CONDUCTIVE ON OR NEAR ELECTRICAL LINES BE SURE THE HOSE IS MAINTAINED AS NON-CONDUCTIVE. THE HOSE SHOULD BE REGULARLY TESTED FOR ELECTRIC CURRENT LEAKAGE IN ACCORDANCE WITH YOUR SAFETY DEPARTMENT INSTRUCTIONS.
2. A HYDRAULIC LEAK OR BURST MAY CAUSE OIL INJECTION INTO THE BODY OR CAUSE OTHER SEVERE PERSONAL INJURY.
 - A. **DO NOT** EXCEED SPECIFIED FLOW AND PRESSURE FOR THIS TOOL. EXCESS FLOW OR PRESSURE MAY CAUSE A LEAK OR BURST.
 - B. **DO NOT** EXCEED RATED WORKING PRESSURE OF HYDRAULIC HOSE USED WITH THIS TOOL. EXCESS PRESSURE MAY CAUSE A LEAK OR BURST.
 - C. CHECK TOOL HOSE COUPLERS AND CONNECTORS DAILY FOR LEAKS. **DO NOT** FEEL FOR LEAKS WITH YOUR HANDS. CONTACT WITH A LEAK MAY RESULT IN SEVERE PERSONAL INJURY.

IMPORTANT

READ OPERATION MANUAL AND SAFETY INSTRUCTIONS FOR THIS TOOL BEFORE USING IT.

USE ONLY PARTS AND REPAIR PROCEDURES APPROVED BY STANLEY AND DESCRIBED IN THE OPERATION MANUAL.

TAG TO BE REMOVED ONLY BY TOOL OPERATOR.

SEE OTHER SIDE

DANGER

- D. **DO NOT** LIFT OR CARRY TOOL BY THE HOSES. **DO NOT** ABUSE HOSE. **DO NOT** USE KINKED, TORN OR DAMAGED HOSE.
3. **MAKE SURE** HYDRAULIC HOSES ARE PROPERLY CONNECTED TO THE TOOL BEFORE PRESSURING SYSTEM. SYSTEM PRESSURE HOSE MUST ALWAYS BE CONNECTED TO TOOL "IN" PORT. SYSTEM RETURN HOSE MUST ALWAYS BE CONNECTED TO TOOL "OUT" PORT. REVERSING CONNECTIONS MAY CAUSE REVERSE TOOL OPERATION WHICH CAN RESULT IN SEVERE PERSONAL INJURY.
4. **DO NOT** CONNECT OPEN-CENTER TOOLS TO CLOSED-CENTER HYDRAULIC SYSTEMS. THIS MAY RESULT IN LOSS OF OTHER HYDRAULIC FUNCTIONS POWERED BY THE SAME SYSTEM AND/OR SEVERE PERSONAL INJURY.
5. **BYSTANDERS** MAY BE INJURED IN YOUR WORK AREA. **KEEP BYSTANDERS CLEAR** OF YOUR WORK AREA.
6. **WEAR HEARING, EYE, FOOT, HAND AND HEAD PROTECTION.**
7. **TO AVOID PERSONAL INJURY OR EQUIPMENT DAMAGE, ALL TOOL REPAIR MAINTENANCE AND SERVICE MUST ONLY BE PERFORMED BY AUTHORIZED AND PROPERLY TRAINED PERSONNEL.**

IMPORTANT

READ OPERATION MANUAL AND SAFETY INSTRUCTIONS FOR THIS TOOL BEFORE USING IT.

USE ONLY PARTS AND REPAIR PROCEDURES APPROVED BY STANLEY AND DESCRIBED IN THE OPERATION MANUAL.

TAG TO BE REMOVED ONLY BY TOOL OPERATOR.

SEE OTHER SIDE

SAFETY TAG P/N 15875 (Shown smaller than actual size)

SPECIFICATIONS

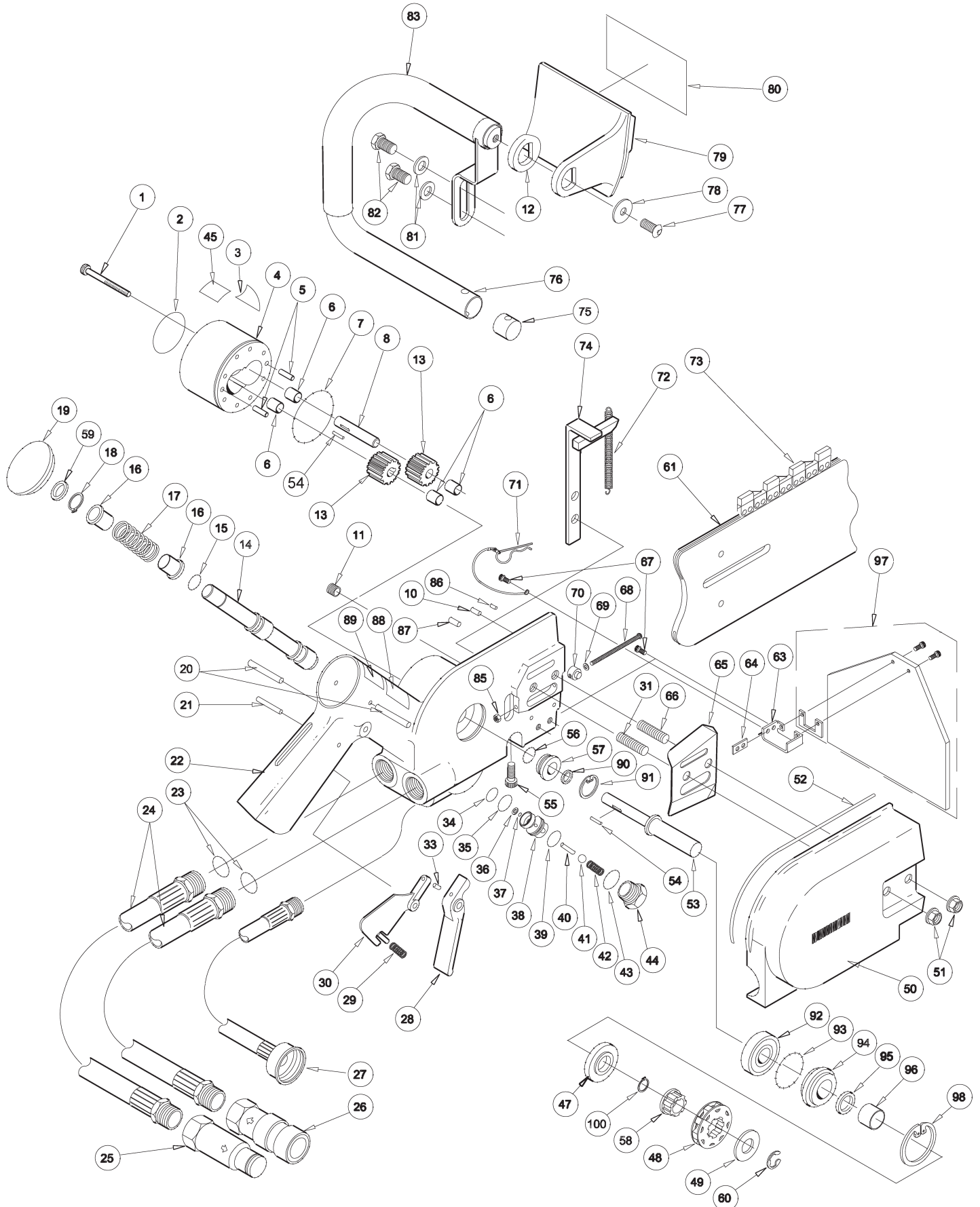
| | |
|----------------------------|---|
| Cutting Depths..... | 13 inches/33 cm |
| Bar Lengths..... | 13 inch/33 cm |
| Chain Type..... | 3/8 inch pitch with 21 diamond segments |
| Maximum Back Pressure..... | 250 psi/17 bar |
| Input Flow Range | |
| 5 GPM model..... | 4–6 GPM/15–23 LPM |
| 8 GPM model..... | 7–9 GPM/26–34 LPM |
| Input Pressure..... | 2000 psi/140 bar |
| Weight (without bar)..... | 14 lbs/6 kg |
| Length (without bar)..... | 14.3 inches/36 cm |
| Width..... | 9 inches/23 cm |
| Lubrication/Cooling..... | Internal Water Channels in Bar |
| Porting..... | -8 SAE O-ring |
| Connection..... | EHTMA/HTMA Flush Face |
| Hose Whips..... | Yes |
| Chain Speed | |
| 5 GPM model..... | 4600 fpm/23.4 m/s |
| 8 GPM model..... | 5000 fpm/25.4 m/s |

| SOUND POWER AND VIBRATION DECLARATION | |
|---|------------------------|
| Measured A-weighted sound power level, Lwa (ref. 1pW) in decibels | 103.98 dBA |
| Measured A-weighted sound pressure level, Lpa (ref. 20 µPa) at operator's position, in decibels | 95.99 dBA |
| Uncertainty, Kpa, in decibels | 3.39 dBA |
| Values determined according to noise test code given in ISO 15744, 11203 and 3744. | |
| NOTE: The sum of a measured noise emission value and its associated uncertainty represents an upper boundary of the range of values which is likely to occur in measurements. | |
| Measured vibration emission value: a (Trigger Handle) | 9.9 m/sec ² |
| Measured vibration emission value: a (Non-Trigger Handle) | 5.7 m/sec ² |
| Uncertainty: K | 1.9 m/sec ² |
| Values determined according to ISO 5349-1, 5349-2 | |

ACCESSORIES

| | |
|---|--------------------------|
| Chain Repair Spinner..... | 20857 |
| Diamond Chain Repair Breaker..... | 20858 |
| Diamond Chain Service Kit..... | (sub P/N 20857 or 20858) |
| Diamond Chain Butterfly Repair Kit..... | 20859 |
| 13 inch Bar, Sprocket Nose..... | 35037 |
| Ultra-25, Diamond Chain for 13 inch Bar..... | 56799 |
| Pinnacle-25, Diamond Chain for 13 inch Bar..... | 56800 |
| Water Flow Meter, 0-7 GPM..... | 60859 |
| Water Pump, 12 VDC, DC Plug..... | DCP30100 |
| Water Pump, 12 VDC, Battery Clips..... | DCP30101 |

DS06 PARTS ILLUSTRATION



DS06 PARTS LIST

| ITEM | PART NO. | QTY | DESCRIPTION |
|------|----------|-----|---|
| 1 | 00753 | 8 | SHCS 10-24 UNC x 1-1/4 |
| 2 | 73659 | 1 | NAME TAG (5-GPM MODELS) |
| | 74806 | | NAME TAG (8-GPM MODELS) |
| 3 | 11207 | 1 | CIRCUIT D DECAL (8-GPM MODEL) |
| | 11206 | | CIRCUIT C DECAL (5-GPM MODEL) |
| 4 | 07652 | 1 | REAR GEAR HOUSING ASSY (INCL ITEMS 5-6, 8-GPM MODEL ONLY) |
| | 07834 | 1 | REAR GEAR HOUSING ASSY (INCL ITEMS 5-6, 5-GPM MODEL ONLY) |
| 5 | 00289 | 2 | DOWEL PIN |
| 6 | 04041 | 4 | BUSHING |
| 7 | 00020 | 1 | O-RING |
| 8 | 07612 | 1 | IDLER SHAFT |
| 9 | — | — | NO ITEM |
| 10 | 32190 | 1 | PIVOT PIN |
| 11 | 00961 | 1 | PIPE PLUG |
| 12 | 73583 | 1 | HAND GUARD SPACER |
| 13 | 04106 | 2 | DRIVE GEAR (8-GPM MODEL ONLY) |
| | 07832 | 2 | DRIVE GEAR (5-GPM MODEL ONLY) |
| 14 | 32207 | 1 | ON/OFF VALVE |
| 15 | 07626 | 1 | O-RING |
| 16 | 07609 | 2 | SPRING WASHER |
| 17 | 34119 | 1 | SPRING |
| 18 | 04512 | 1 | RETAINING RING, 1/2 EX |
| 19 | 07625 | 1 | PLUG BUTTON |
| 20 | 17668 | 2 | ROLL PIN |
| 21 | 07624 | 1 | ROLL PIN, 3/16 x 1 |
| 22 | 73656 | 1 | VALVE HANDLE ASSY (INCL ITEMS 6, 31, 66) |
| 23 | 01605 | — | O-RING (SUPPLIED W/ ITEM 24) |
| 24 | 01652 | 2 | PIGTAIL HOSE ASSY |
| 25 | 03973 | 1 | MALE COUPLER |
| 26 | 03972 | 1 | FEMALE COUPLER |
| 27 | 33443 | 1 | WATER HOSE ASSY |
| 28 | 58879 | 1 | TRIGGER |
| 29 | 07602 | 1 | SPRING |
| 30 | 34105 | 1 | SAFETY CATCH |
| 31 | 32197 | 1 | STUD (SUPPLIED W/ ITEM 22) |
| 32 | — | — | NO ITEM |
| 33 | 00072 | 1 | ROLL PIN |
| 34 | 07627 | 1 | O-RING |
| 35 | 00074 | 1 | O-RING |
| 36 | 33488 | 1 | SELF-LOCKING RETAINING RING |
| 37 | 05632 | 1 | O-RING |
| 38 | 58970 | 1 | WATER VALVE SLEEVE |
| 39 | 01403 | 1 | O-RING |

| ITEM | PART NO. | QTY | DESCRIPTION |
|------|----------|-----|---|
| 40 | 33380 | 1 | PIN |
| 41 | 36259 | 1 | STEEL BALL, 3/8" DIA. |
| 42 | 32188 | 1 | SPRING |
| 43 | 04052 | 1 | O-RING |
| 44 | 32189 | 1 | SEAL CAP |
| 45 | 28323 | 1 | CE DECAL |
| 46 | — | — | NO ITEM |
| 47 | 38898 | 1 | SEAL SPACER |
| 48 | 09098 | 1 | SPROCKET |
| 49 | 41765 | 1 | WASHER |
| 50 | 73658 | 1 | CHAIN GUARD |
| 51 | 32203 | 2 | NUT |
| 52 | 35181 | 1 | CORD STOCK, 3/16" DIA. |
| 53 | 43690 | 1 | MOTOR SHAFT (SEE ITEM #60 FOR SERIAL NO. BREAK) |
| 54 | 04044 | 2 | NEEDLE ROLLER |
| 55 | 02688 | 1 | SHCS 5/16 -18 UNC x 3/4 |
| 56 | 60804 | 1 | O-RING |
| 57 | 19215 | 1 | SEAL BACK-UP WASHER |
| 58 | 43689 | 1 | SPROCKET ADAPTER |
| 59 | 58969 | 1 | WIPER SEAL |
| 60 | 66299 | 1 | SPIRAL RETAINER RING |
| 61 | — | — | SAW BAR (SEE ACCESSORIES) |
| 62 | — | — | NO ITEM |
| 63 | 32196 | 1 | FLAP MOUNT |
| 64 | 33219 | 1 | SPACER |
| 65 | 32192 | 1 | CHAIN GUIDE PLATE |
| 66 | 32245 | 1 | STUD (SUPPLIED W/ ITEM 22) |
| 67 | 58968 | 2 | SHCS 1/4 -20 UNC x 5/8 |
| 68 | 02687 | 1 | MACHINE SCREW |
| 69 | 32191 | 1 | STAT-O-SEAL |
| 70 | 32198 | 1 | BAR ADJUSTMENT NUT |
| 71 | 33481 | 1 | WALL WALKER CLEVIS PIN |
| 72 | — | — | SPRING (INCL W/ ITEM 74) |
| 73 | — | — | CHAIN (SEE ACCESSORIES) |
| 74 | 32206 | 1 | WALL WALKER |
| 75 | 02649 | 1 | HANDLE BAR RETAINER |
| 76 | 33229 | 1 | HANDLE WELDMENT |
| 77 | 33260 | 1 | BHCS 1/4 -20 x .625 ZINC |
| 78 | 33261 | 1 | FENDER WASHER |
| 79 | 73582 | 1 | HAND GUARD |
| 80 | 12412 | 1 | ELECTRICAL WARNING DECAL |
| 81 | 12175 | 2 | WASHER |
| 82 | 33454 | 2 | HHCS 5/16 -18 x 5/8 ZINC |
| 83 | 33263 | 1 | HANDLE GRIP |

DS06 PARTS LIST

| ITEM | PART NO. | QTY | DESCRIPTION |
|------|----------|-----|------------------------------|
| 84 | — | — | NO ITEM |
| 85 | 17134 | 1 | NUT, 1/4 -20 HHD LT SST |
| 86 | 31614 | 1 | SPIROL PIN |
| 87 | 30635 | 1 | SPIROL PIN, 5/16 × 7/8 |
| 88 | 28409 | 1 | COMPOSITE DECAL (CE) |
| 89 | 81438 | 1 | SOUND POWER LEVEL DECAL (CE) |
| 90 | 00173 | 1 | QUAD RING |
| 91 | 04856 | 1 | RETAINING RING |
| 92 | 35965 | 1 | BEARING |
| 93 | 00621 | 1 | O-RING |
| 94 | 38897 | 1 | SEAL WASHER |
| 95 | 39070 | 1 | V-RING |
| 96 | 38700 | 1 | SEAL RING |
| 97 | 65797 | 1 | FLAP KIT DS06 |
| 98 | 07324 | 1 | RETAINING RING |
| 99 | 37793 | 1 | EXTENSION SPRING ANCHOR |
| 100 | 41764 | 1 | RETAINING RING |
| | | | |
| | | | |
| | 33360 | 1 | SEAL KIT |