

FIGURE 1 - MK-5010S SUPERMATIC BLOCK SAW 60 HZ/230V P/N 166929

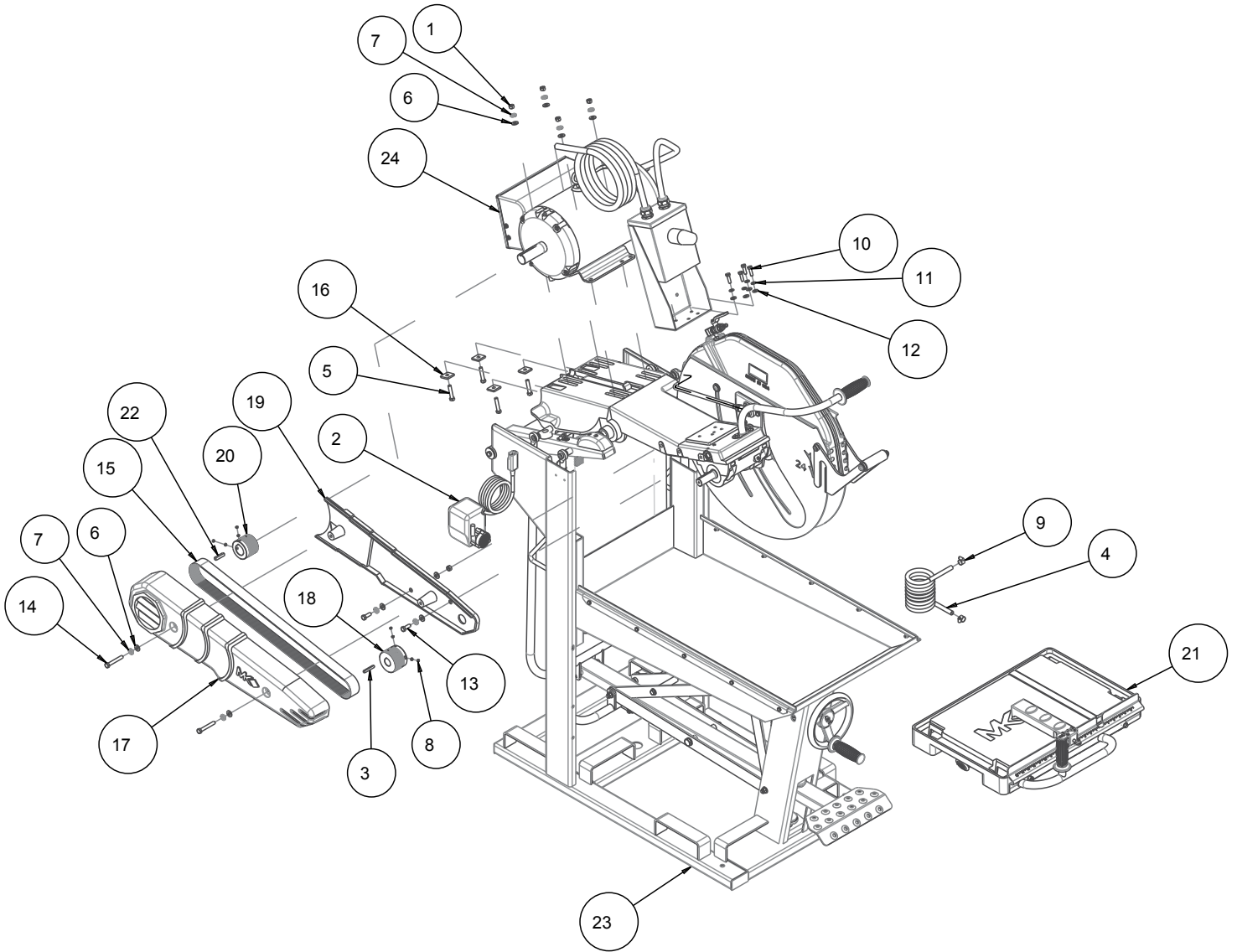


FIGURE 1 - MK-5010S SUPERMATIC BLOCK SAW 60 HZ/230V P/N 166929

ITEM	DESCRIPTION	PART #	QTY
1	NUT, HEX, 3/8-16	101188	5
2	ASSY, PUMP, 300GPH 230V 50HZ/60HZ	114769-MK	1
3	KEY, 1/4 SQR X 1-3/4	150796	1
4	HOSE, WATER VINYL, 3/8 X 1/2 (72.0")	150845	1
5	SCREW, HEX HD, 3/8-16 X 1-3/4	150920	4
6	WASHER, FLAT, SAE, 3/8	150923	9
7	WASHER, LOCK, SPLIT, 3/8	150925	8
8	SCREW, SET, CUP PT, 5/16-18 X 3/16	151167	8
9	CLAMP, HOSE, 5/8	151198	2
10	SCREW, HEX HD, 5/16-18X1	151743	4
11	WASHER, LOCK, SPLIT, 5/16	151747	4
12	WASHER, FLAT, SAE, 5/16	151754	4
13	SCREW, HEX HD CAP, 3/8-16 X 1	152507	2
14	BOLT, 3/8-16 X 2-1/2 HEX HEAD TAP	155589	2
15	BELT, 16J610	156551	1
16	WASHER, SQR, 7/16 X 1-1/4 X 3/16	157567	4
17	CSTG, 5000 OUTER BELT GRD-COMP	159954	1
18	PULLEY, 16J25 X 1-3/8 BORE	161135	1
19	CASTING, INNER BLT GRD-COMP	162516	1
20	PULLEY, 16J25 X 1-3/8 BORE	165795	1
21	ASSY, TABLE, DELUXE	165991	1
22	KEY, 5/16 SQR X 1-1/2	167581	1
23	ASSY, BASE, HVY DTY SUPERMATIC	172446-S	1
24	ASSY, MTR, 10HP 230V 1PH 1715RPM, L3712T	172447	1

FIGURE 5 - MK-5000 ASSY, BASE, HEAVY DUTY SUPERMATIC P/N 172446-S

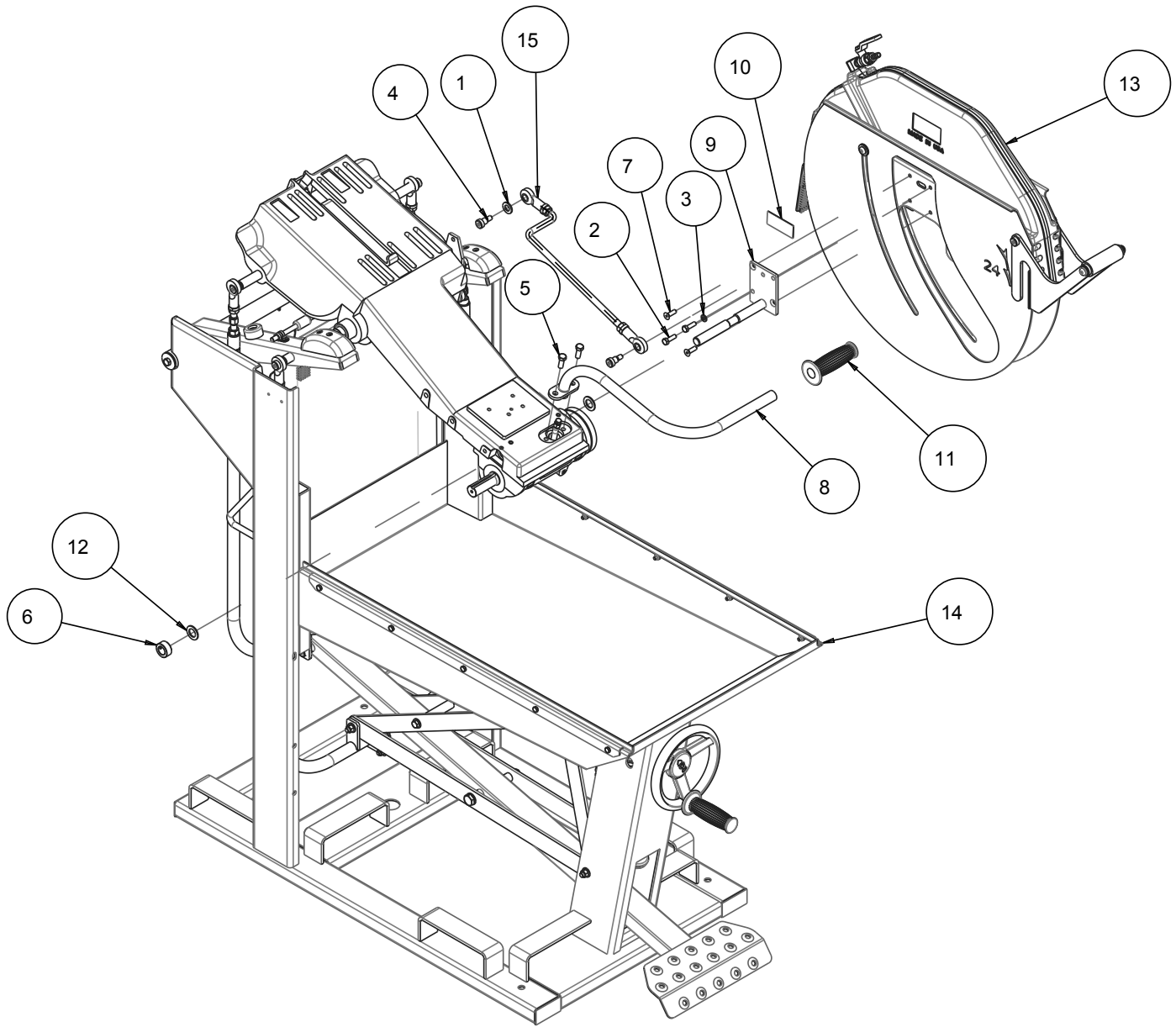
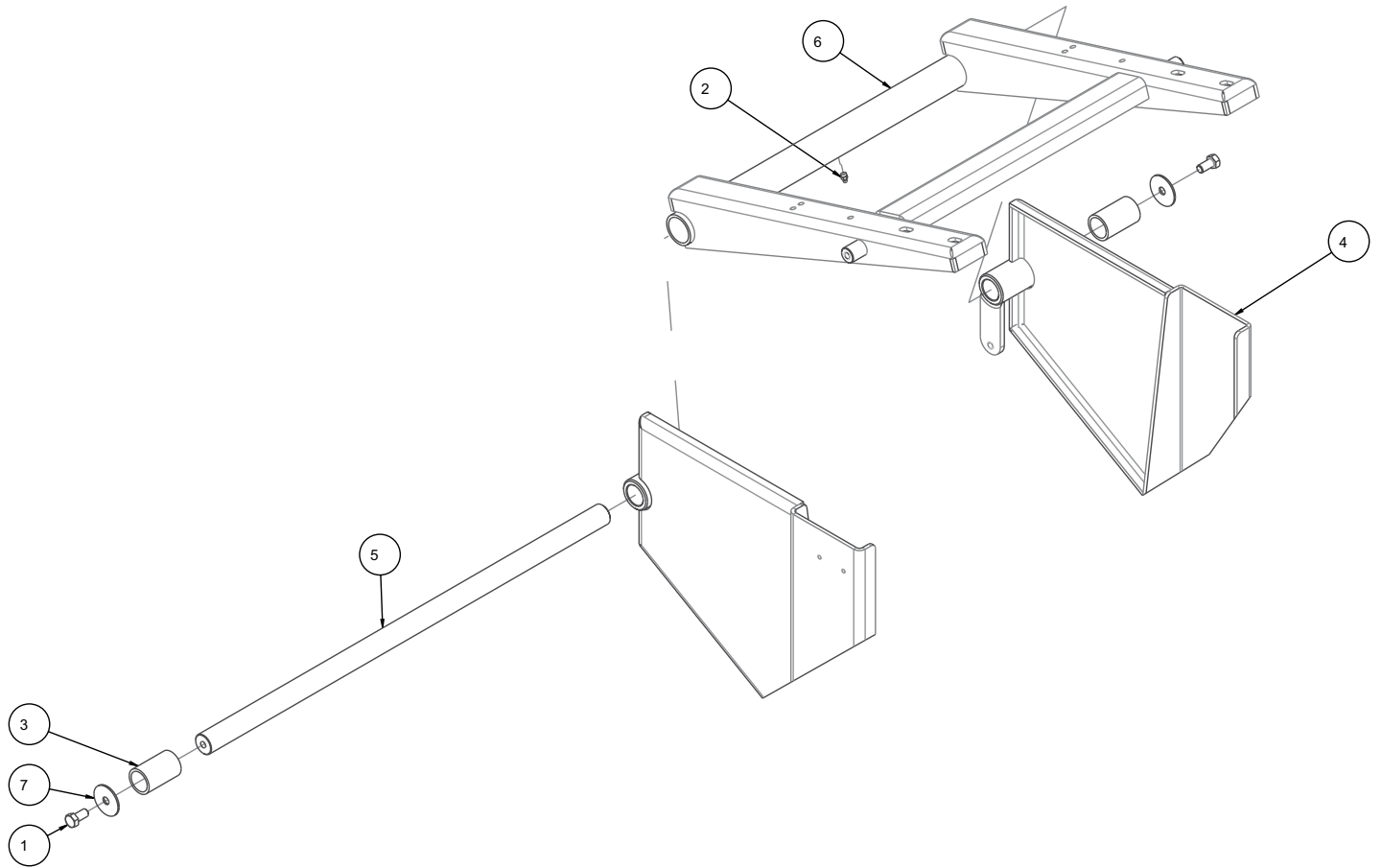


FIGURE 5 - MK-5000 ASSY, BASE, HEAVY DUTY SUPERMATIC P/N 172446-S

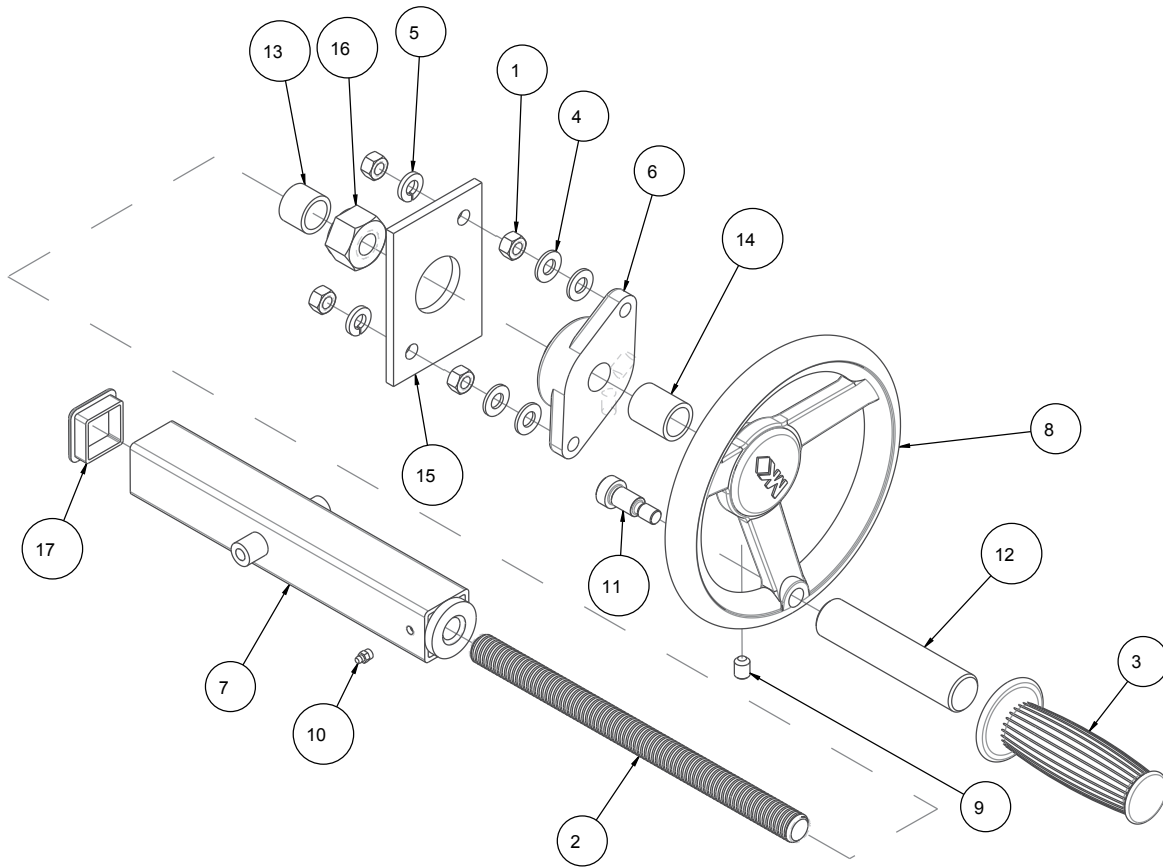
ITEM	DESCRIPTION	PART #	QTY
1	WASHER, 1/2 SAE FLAT	150924	1
2	SCREW, HEX HD, 5/16 -18 X 1	151743	2
3	WASHER, LOCK, SPLIT, 5/16	151747	1
4	SCREW, SHOULDER, 1/2 X 1/2	151753	2
5	SCREW, HEX HD CAP, 3/8-16 X 1	152507	2
6	COLLAR, SET, 3/4"	153814	1
7	SCREW, 5/16-18 X 1.0 FLAT HEAD SOCKET	155552	2
8	HANDLE, CUTTING HEAD MK5000 24"	155613	1
9	SHAFT, BLADE GUARD PIVOT	155886	1
10	TAG, SERIAL NUMBER, BLANK	157500-RW	1
11	GRIP, HANDLE 7/8 ID	158608	1
12	WASHER, FLAT, PLAS, .75 X1.25 X .080	160827	2
13	ASSY, BLADE, GUARD, DLX 24"	165994-24	1
14	ASSY, BASE, HVY DTY PARENT	172446	1
15	ASSY, ARM, FRONT	172538	1

FIGURE 6 - MK-5000 ASSY, BLOCK SAW ELEVATOR ARM P/N 154629



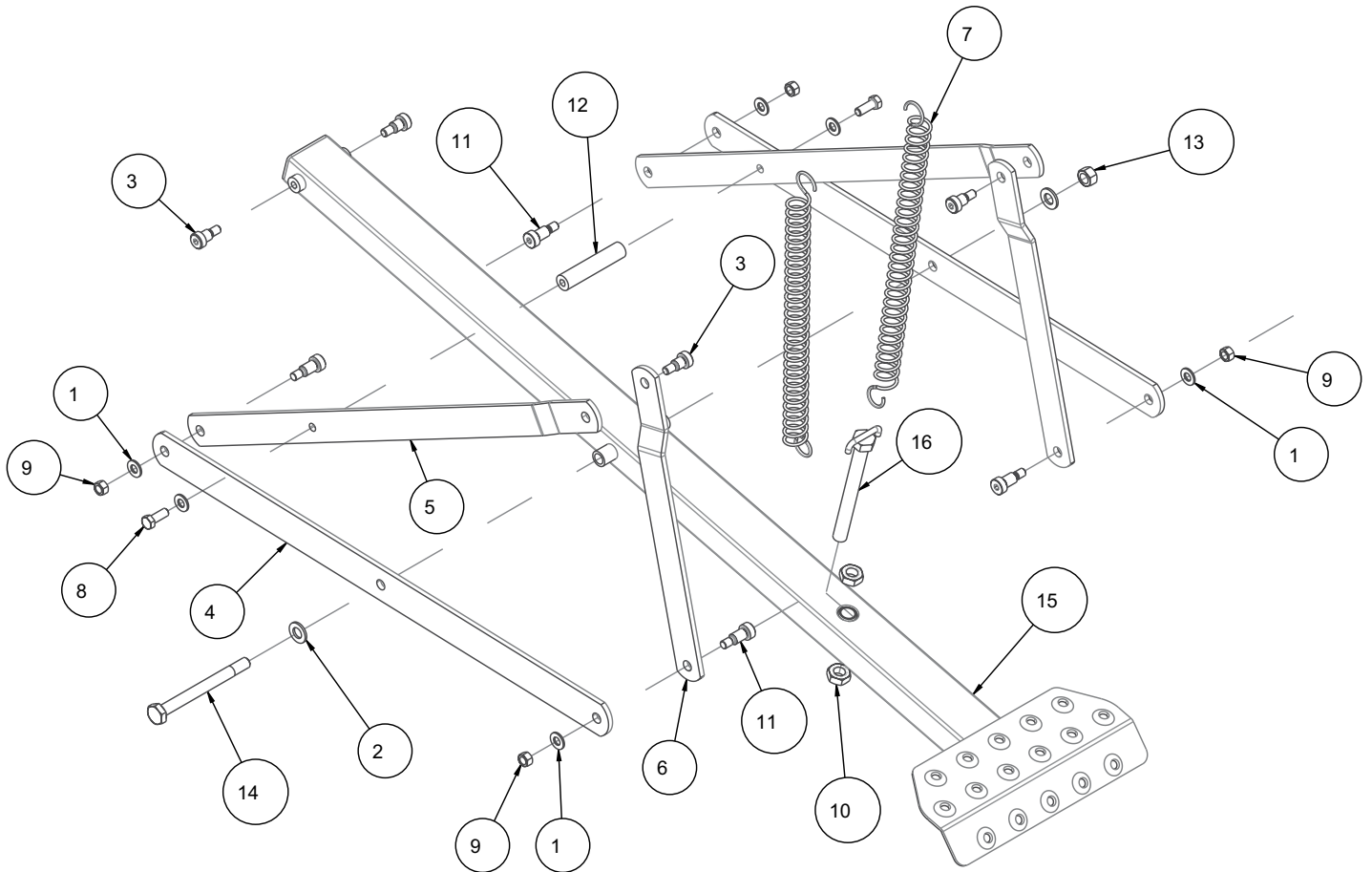
ITEM	DESCRIPTION	PART #	QTY
1	SCREW, HEX, 3/8 - 16 X 3/4	153527	2
2	FITTING, 1/4 - 28 GREASE	153852	1
3	BEARING, 1 X 1-1/4 X 2 MSI MK-5000	154571	2
4	WELDMENT, FRAME	155541	1
5	PIVOT SHAFT, ELEV. ARM	155880	1
6	WELDMENT, ELEVATION ARM MK5000	156285	1
7	WASHER, FENDER, 3/8 ID X 1-1/2 OD	158523	2

FIGURE 7 - MK-5000 ASSY, BLOCK SAW DEPTH CONTROL P/N 154629



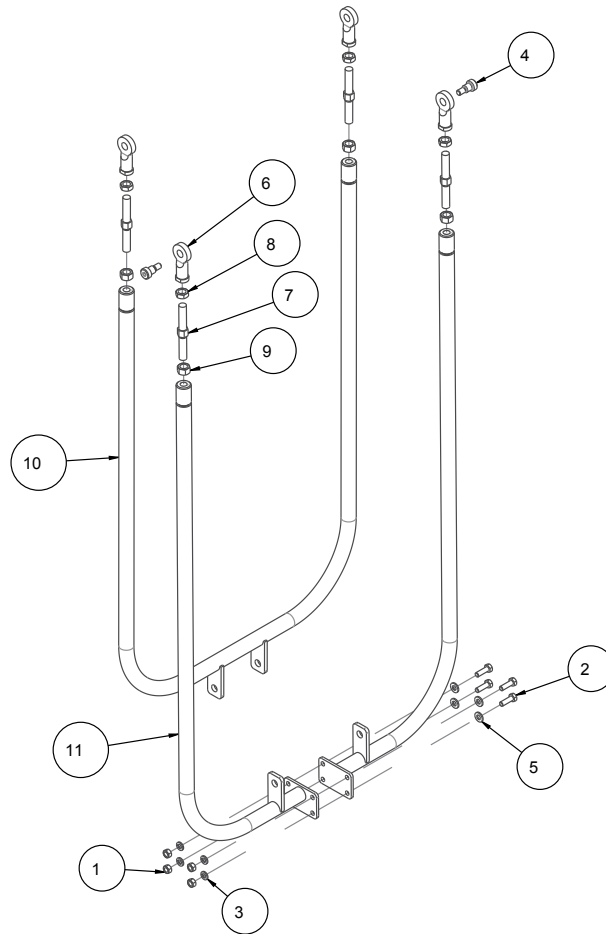
ITEM	DESCRIPTION	PART #	QTY
1	NUT, HEX, 3/8 - 16	101188	4
2	SCREW, 3/4-6 DEPTH CONTROL	150840	1
3	GRIP, HANDLE, 1.0 ID	150842	1
4	WASHER, FLAT, SAE, 3/8	150923	4
5	WASHER, LOCK, SPLIT, 3/8	150925	2
6	BEARING, 3/4 ID FLANGE (COMP)	152025	1
7	ADJ SHAFT TUBE	152116	1
8	CRANK WHEEL, 3/4-6-PLASTIC COMP	153646	1
9	SCREW, SET, SOC, CUPT, 3/8-16 X 1/2	153710	1
10	FITTING, 1/4-28 GREASE	153852	1
11	SCREW, SHLDR, SOC HD, 1/2 X 3/4	156177	1
12	HANDLE, CRANK WHEEL	156236	1
13	SPACER, ADJ. SHAFT	156249	1
14	SPACER, DEPTH FEED WHEEL	156250	1
15	SUPPORT PLATE, BEARING	156278	1
16	NUT, ACME, STANDARD 3/4-6	158227	1
17	PLUG, SQUARE, 1- 1/2-10-14	161165	1

FIGURE 8 - MK-5000 ASSY, BLOCK SAW FOOTPEDAL P/N 154629



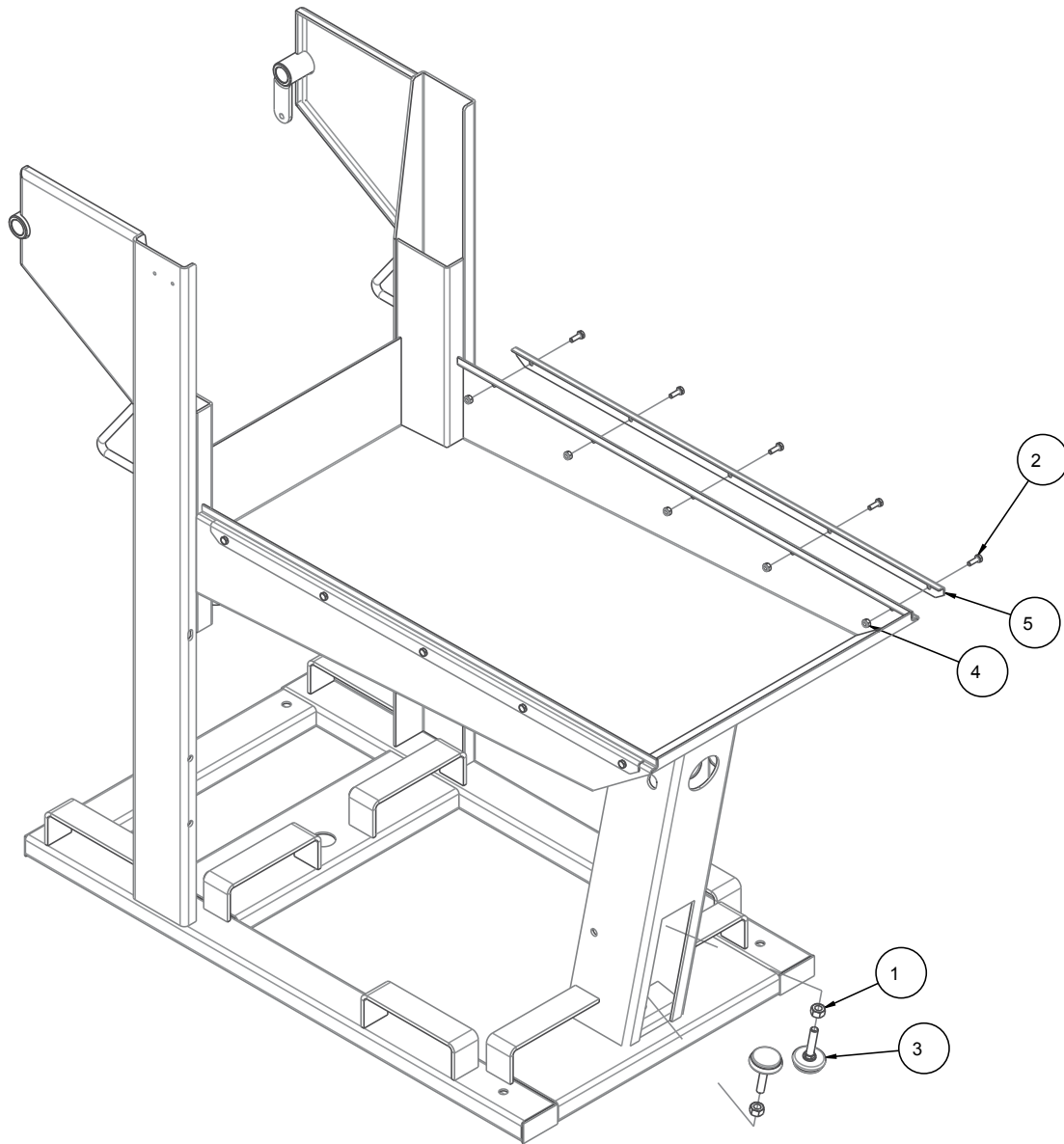
ITEM	DESCRIPTION	PART #	QTY
1	WASHER, FLAT, SAE, 3/8	150923	6
2	WASHER, 1/2 SAE FLAT	150924	2
3	SCREW, SHOULDER, 1/2 X 1/2	151753	4
4	LINKAGE, PEDAL HORIZONTAL	152112	2
5	LINKAGE, PEDAL DIAGONAL	152113	2
6	LINKAGE, PEDAL VERTICAL	152114	2
7	SPRING, FOOT PEDAL MK5000	152115	2
8	SCREW, HEX HD CAP, 3/8-16 X 1	152507	2
9	NUT, 3/816 HEX CENTERLOCK	153522	4
10	NUT, HEX AM 5/8-11 UNC	155603	2
11	SCREW, SHLDR, SOC HD, 1/2 X 3/4	156177	4
12	PEDAL, SHAFT TIE	156259	1
13	NUT, 1/2-13 CENTERLOCK HEX	156279	1
14	SCREW, HEX HD CAP 1/2-13 X 5-1/2	158526	1
15	PEDAL, FOOT & BAR	160139	1
16	HOOK BOLT, WELDMENT, ASSY	160141	1

FIGURE 9 - MK-5000 ASSY, BLOCK SAW LINKS P/N 154629



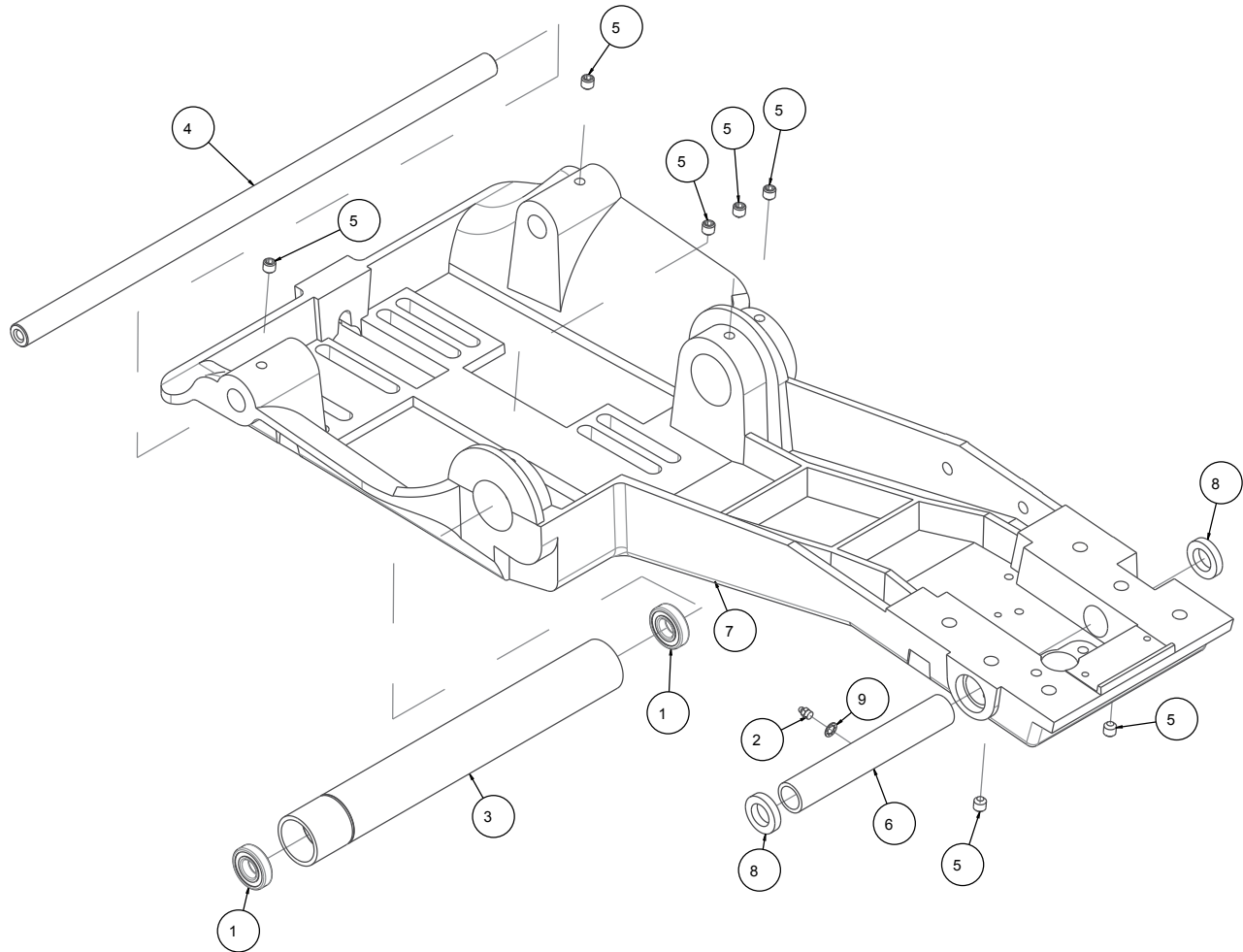
ITEM	DESCRIPTION	PART #	QTY
1	NUT, HEX, 5/16-18	101196	4
2	SCREW, HEX HD, 5/16-18X1	151743	4
3	WASHER, LOCK, SPLIT, 5/16	151747	4
4	SCREW, SHOULDER, 1/2 X 1/2	151753	2
5	WASHER, FLAT, SAE, 5/16	151754	4
6	JOINT, SPHERICAL FEM. 1/2-20RH	154387	4
7	SCREW, ADJUSTMENT	154433	4
8	NUT, JAM, 1/2-20	154460	4
9	JAM NUT 1/2-20 (LH)	154461	4
10	LINK, REAR CONNECTING	156252	1
11	LINK, FRONT CONNECTING	156253	2

FIGURE 10 - MK-5000 ASSY, BLOCK SAW FRAME RAILS P/N 154629



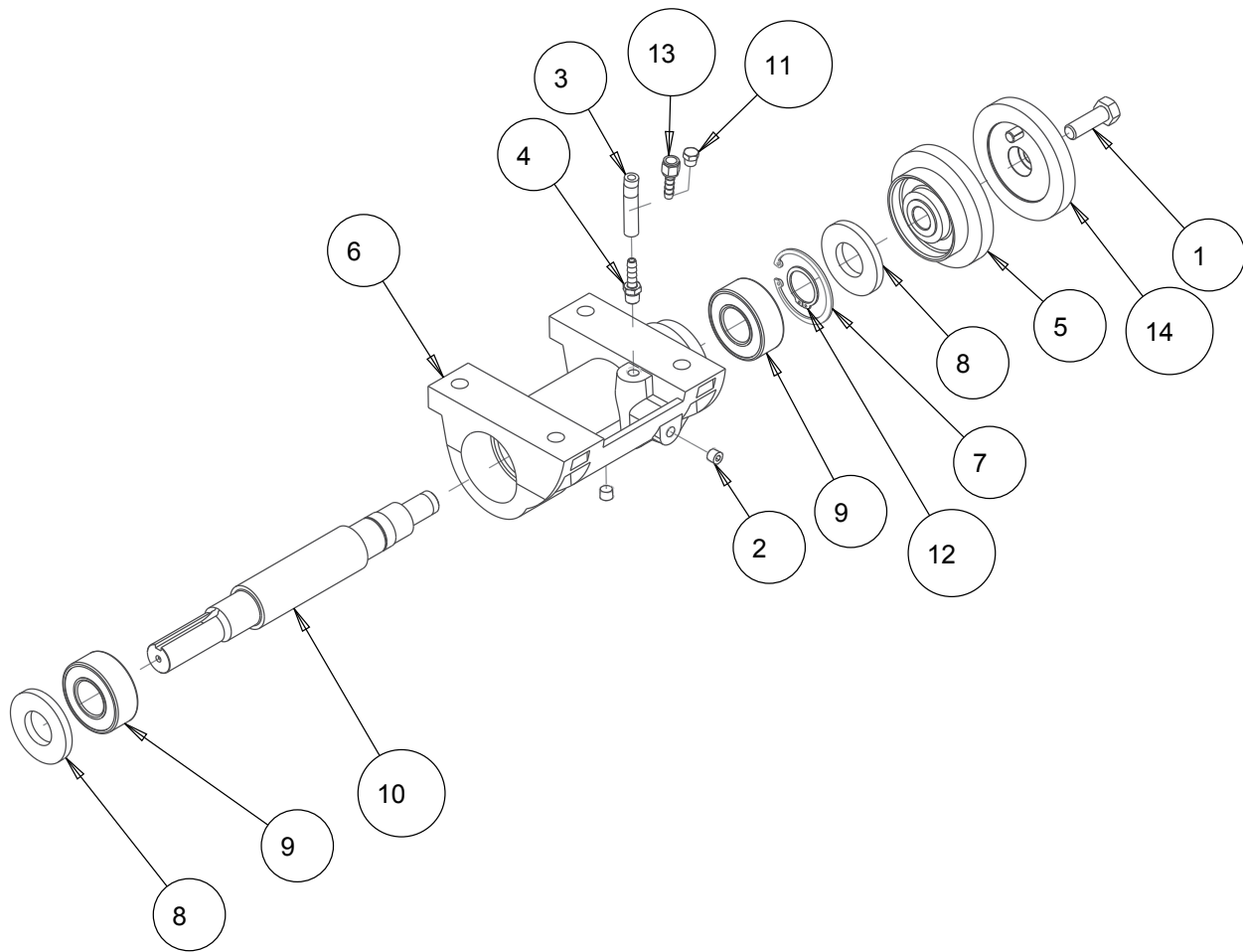
ITEM	DESCRIPTION	PART #	QTY
1	NUT, HEX, 1/2-13	151282	2
2	SCREW, HEX HD, 1/4-20 X 3/4	152370	10
3	BUMPER, 1-1/2 DIA. X 1/2 -13 X 3 STUD	158605	2
4	NUT, HEX, NYLK, 1/4 -20	159857	10
5	LINER, RAIL	166934	2

FIGURE 11 - ASSY, CUTTING HEAD P/N 162546



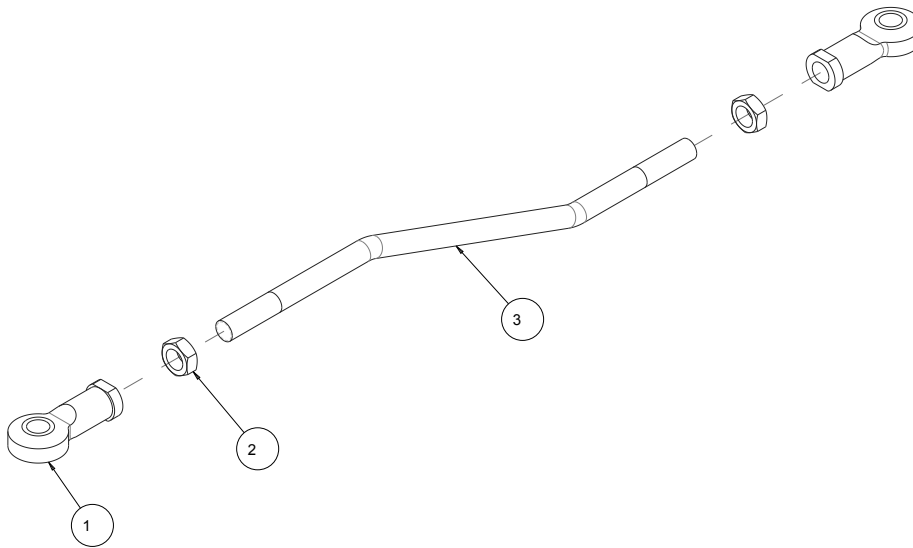
ITEM	DESCRIPTION	PART #	QTY
1	BEARING, CUTTING HD PIV	140004	2
2	FITTING, 1/4-28 GREASE	153852	1
3	HOUSING, PIVOT SHAFT	154827	1
4	SHAFT, DEPTH ADJUST	154932	1
5	SCREW, 3/8 -16 X 3/8 SOCKET HEAD SET, CUP POINT	160713	7
6	HOUSING, SHAFT, CUTTING HEAD	160830	1
7	CASING, CUT, HD, HVY DTY, COMP	160885	1
8	SEAL, 3/4 X 1-1/4 X 1/4	162489	2
9	WASHER, LOCK, IT, 1/4	162490	1

FIGURE 12 - MK-5000 ASSY, HD ARBOR P/N 170951



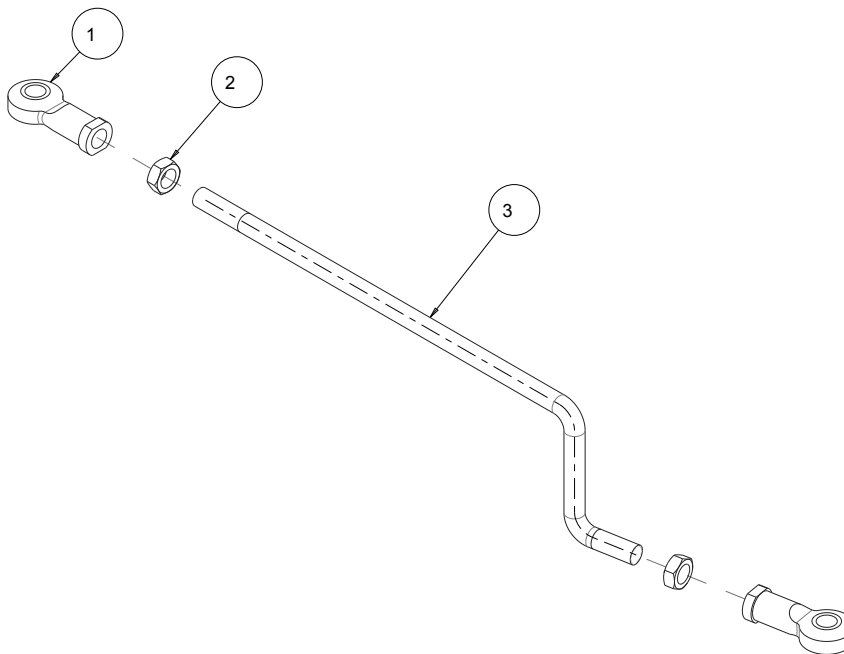
ITEM	DESCRIPTION	PART #	QTY
1	SCREW, HEX HD 1/2-20X1-1/4	152122	1
2	PLUG, 1/8NPT HEX SOCKET	152472	2
3	HOSE, 1/4 FUEL, 6"	154163	1
4	FITTING, 1/8 MNPT X 1/4 BARB	155809	1
5	FLANGE, INNER, MASONRY, 4"	161305	1
6	CASTING, SHAFT HOUSING - COMP	170944	1
7	RING, RET, INT, 65MM	170945	1
8	SEAL, OIL, 30MM X 62MM X 7MM	170946	2
9	BEARING, 30X62X23.8, D-ROW BALL	170947	2
10	SHAFT, HD ARBOR	170948	1
11	BREATHER, 1/8 FNPT	170949	1
12	RING, RET, EXT, 30MM	170950	1
13	FITTING, 1/8 FNPT X 1/4 BARB	171019	1
14	ASSY, FLANGE, OUTER, 4: MASONRY	171252	1

FIGURE 13 - MK-5000 ASSY, ARM, REAR P/N 172537



ITEM	DESCRIPTION	PART #	QTY
1	JOINT, SPHERICAL FEM. 1/2-20RH	154387	2
2	NUT, JAM, 1/2-20	154460	2
3	ARM, REAR CONNECTING	158563	1

FIGURE 14 - MK-5000 ASSY, ARM, FRONT P/N 172538



ITEM	DESCRIPTION	PART #	QTY
1	JOINT, SPHERICAL FEM. 1/2-20RH	154387	2
2	NUT, JAM, 1/2-20	154460	2
3	LINK ROD, BLADE GUARD	158564	1

FIGURE 15 - ASSY, BLADE, GUARD, DLX 24" P/N 165994-24

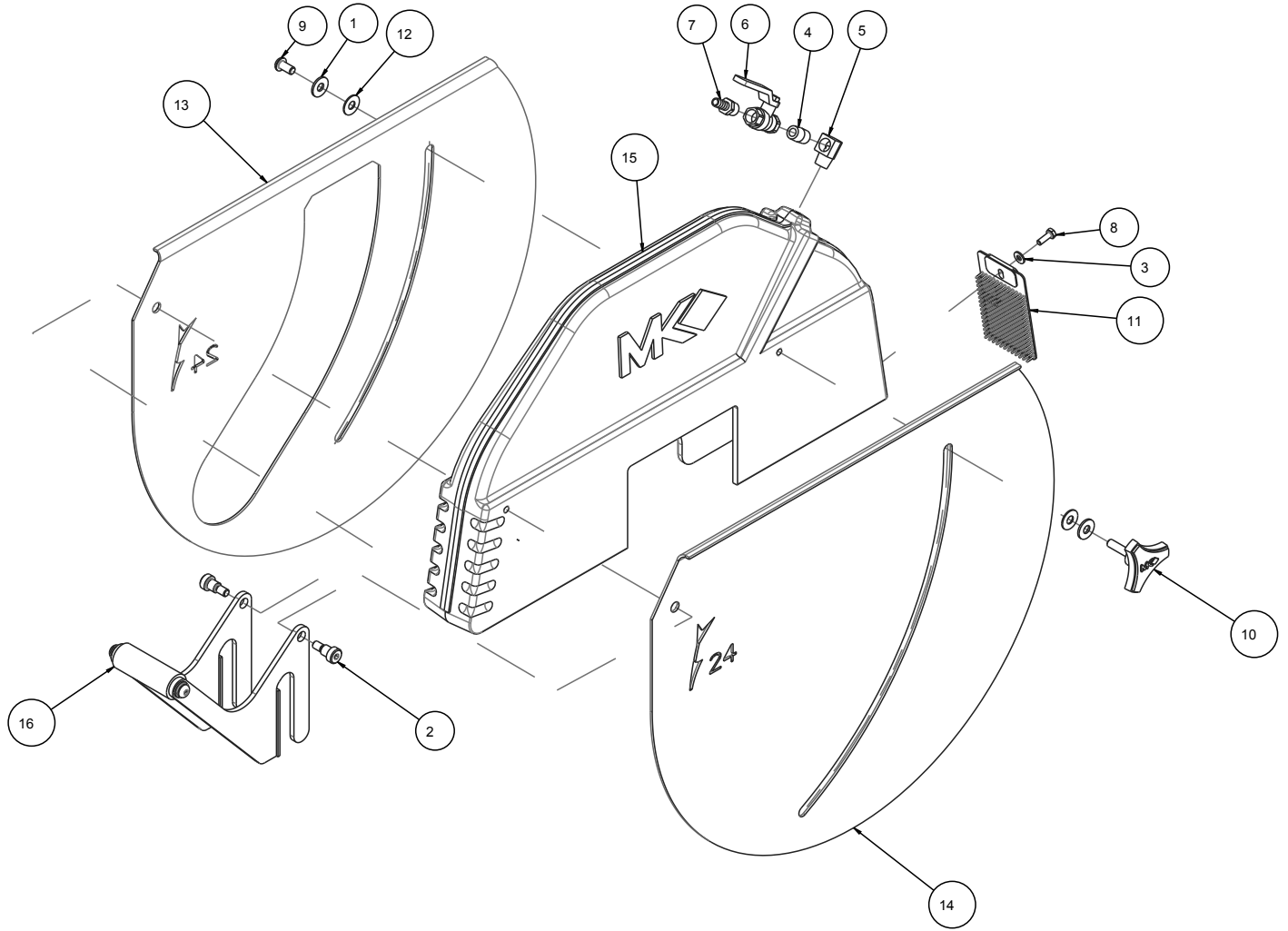


FIGURE 15 - ASSY, BLADE, GUARD, DLX 24" P/N 165994-24

ITEM	DESCRIPTION	PART #	QTY
1	WASHER, FLAT, USS, 3/8	101360	2
2	SCREW, SHOULDER, 1/2 X 1/2	151753	1
3	WASHER, FLAT, SAE, 1/4	151915	1
4	NIPPLE, 3/8 MNPT X CLOSE	152073	1
5	ELBOW, STREET, 3/8 NPT X 90, BRASS	152074	1
6	VALVE, BALL 3/8"	152075	1
7	FITTING, 3/8 MNPT X 3/8 BARB	152076	1
8	SCREW, HEX HD, 1/4-20 X 3/4	152370	1
9	SCREW, BTN HD 3/8-16 X 3/4 SOCK	156635	1
10	KNOB, TRI PLASTIC MK-660 1-1/2	156770-02	1
11	GUARD, SPLASH	160310	1
12	WASHER, 1 X 13/32 X 06 PLASTIC	162625	2
13	GUARD, BLADE, LOWER, LEFT	165798	1
14	GUARD, BLADE, LOWER, RIGHT	165799	1
15	CASTING, BLD GRD 24" DLX COMP	165807	1
16	ASSY, HANDLE, LOWER GUARD	165993	1

FIGURE 16 - MK-5000 ASSY, TABLE DELUXE P/N 165991

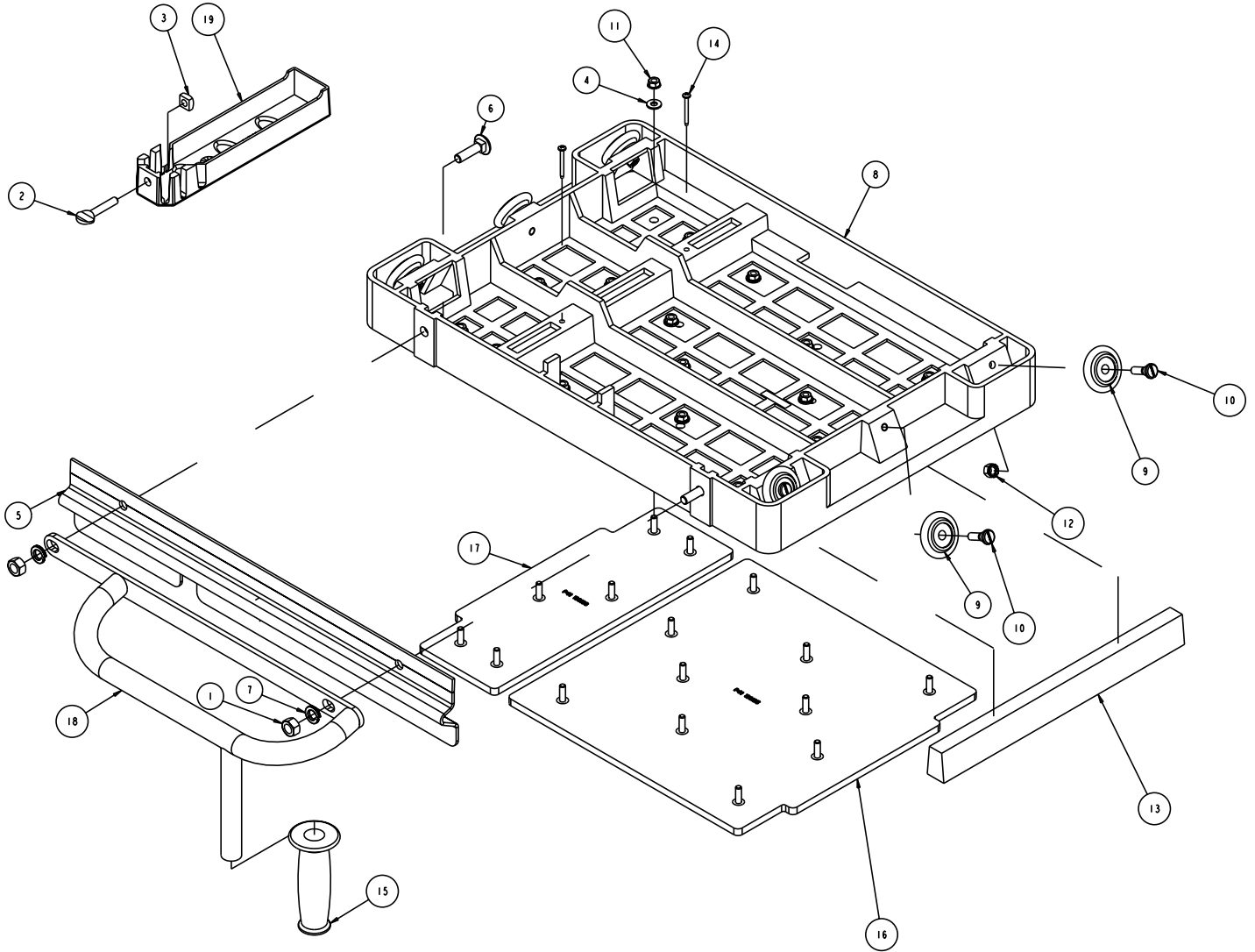
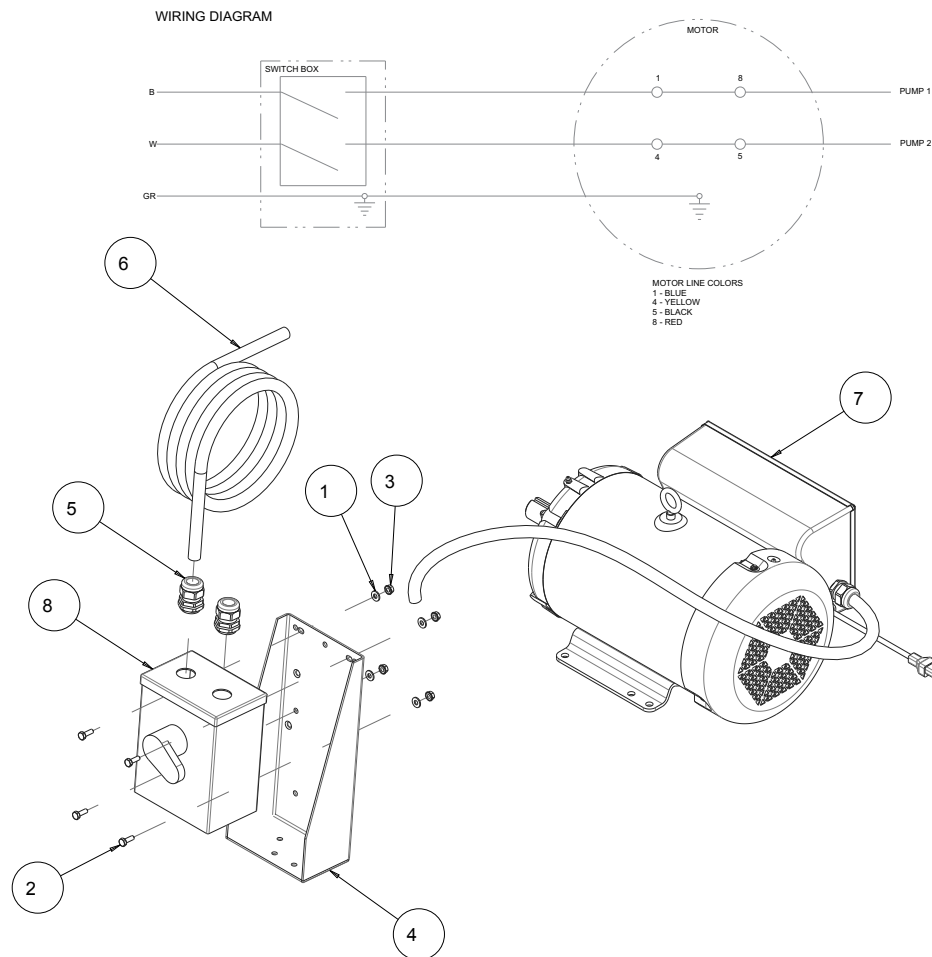


FIGURE 16 - MK-5000 ASSY, TABLE DELUXE P/N 165991

ITEM	DESCRIPTION	PART #	QTY
1	NUT, HEX 7/16-14	150922	2
2	SCREW, THUMB 5/16-18X1-1/2	151155	1
3	NUT, SQUARE 5/16-18	151156	1
4	WASHER, FLAT, SAE, 1/4	151915	16
5	RULE, FRONT, STOP	152126	1
6	BOLT, CARR. 7/16 - 14 X 1-1/4	152423	2
7	WASHER, LOCK, SPLIT 7/16	152424	2
8	CASTING, 5000, TABLE-COMP	152455	1
9	WHEEL, ROLLER MK5000, MK1080	152493	6
10	STUD, ROLLER WHEEL	152494	6
11	NUT, HEX, W/WSHR, 1/4-20	153941	16
12	NUT, HEX, TW, 5/16-18	153942	4
13	WOOD STRIP, TABLE INSERT	157748	1
14	SCREW, #8 X 1-1/2 FLAT HD PHIL	158157	2
15	GRIP, HANDLE 7/8 ID	158608	1
16	MAT, MK-5000 TABLE-LG	160165	1
17	MAT, MK-5000 TABLE-SM	160166	1
18	HANDLE, TABLE	165990-L	1
19	CASTING, SQUARING ARM-COMP	231276	1

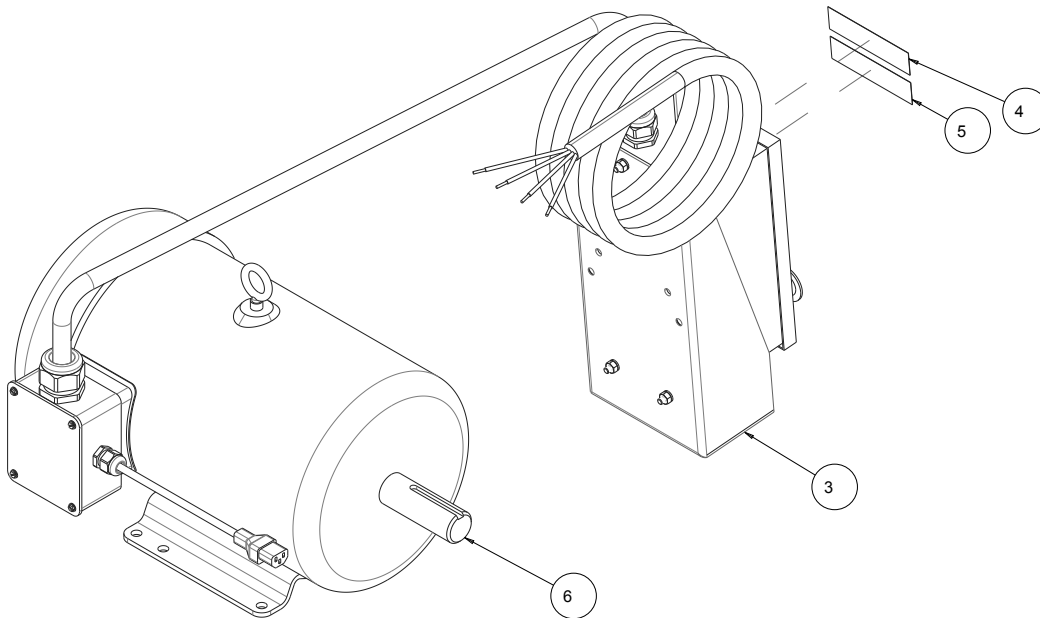
FIGURE 17 - MK-5000 ASSY, MOTOR, 10HP 230V1 PH 1725RPM L3712T P/N 172447



PULLEY REFERENCE TABLE FOR 10HP MOTOR				
BLD GRD	PULLEY P/N	DESCRIPTION	ARBOR PULLEY	DESCRIPTION
14"	165796	PULLEY, 16J31 X 1-3/8 BORE	160365	16J18 X 1 BORE
20"	165796	PULLEY, 16J31 X 1-3/8 BORE	161135	16J28 X 1 BORE
24"	165795	PULLEY, 16J25 X 1-3/8 BORE	161135	16J28 X 1 BORE

ITEM	DESCRIPTION	PART #	QTY
1	WASHER, FLAT, SAE, 1/4	151915	4
2	SCREW, HEX HD, 1/4-20X3/4	152370	4
3	NUT, HEX, TW, 1/4-20	153941	4
4	BRACKET, SWITCH MTG	156492	1
5	CONNECTOR, CORD, LTF21	160675	2
6	CORD, ELEC, 8/3 SOOW (4.5 FT)	166275	1
7	CORD, ELEC, 8/3 SOOW (10.5 FT)	166275	1
8	MTR, 10HP 230V 60HZ 1 PH 1725RPM-COMP	172554	1
9	SWITCH, 60A/10HP/240V W/ENCL-COMP	172560	1

FIGURE 18 - MK-5000 ASSY, MOTOR, 10HP 460V 3 PH 1725RPM, EM3714T P/N 172448



ITEM	DESCRIPTION	PART #	QTY
1	COIL, STARTER 240V	156209	1
2	ELEMENT, HEATER 25.6-27A 3/SET	160722	1
3	ASSEMBLY, SWITCH, 3-PHASE	162470	1
4	LABEL, 230V	168652	1
5	LABEL, THREE PHASE	168655	1
6	MTR, 10PH 208-230/460V 3PH 1725RPM, -COMP	172556	1

FIGURE 19 - MK-5010T WIRING DIAGRAM P/N 172448

