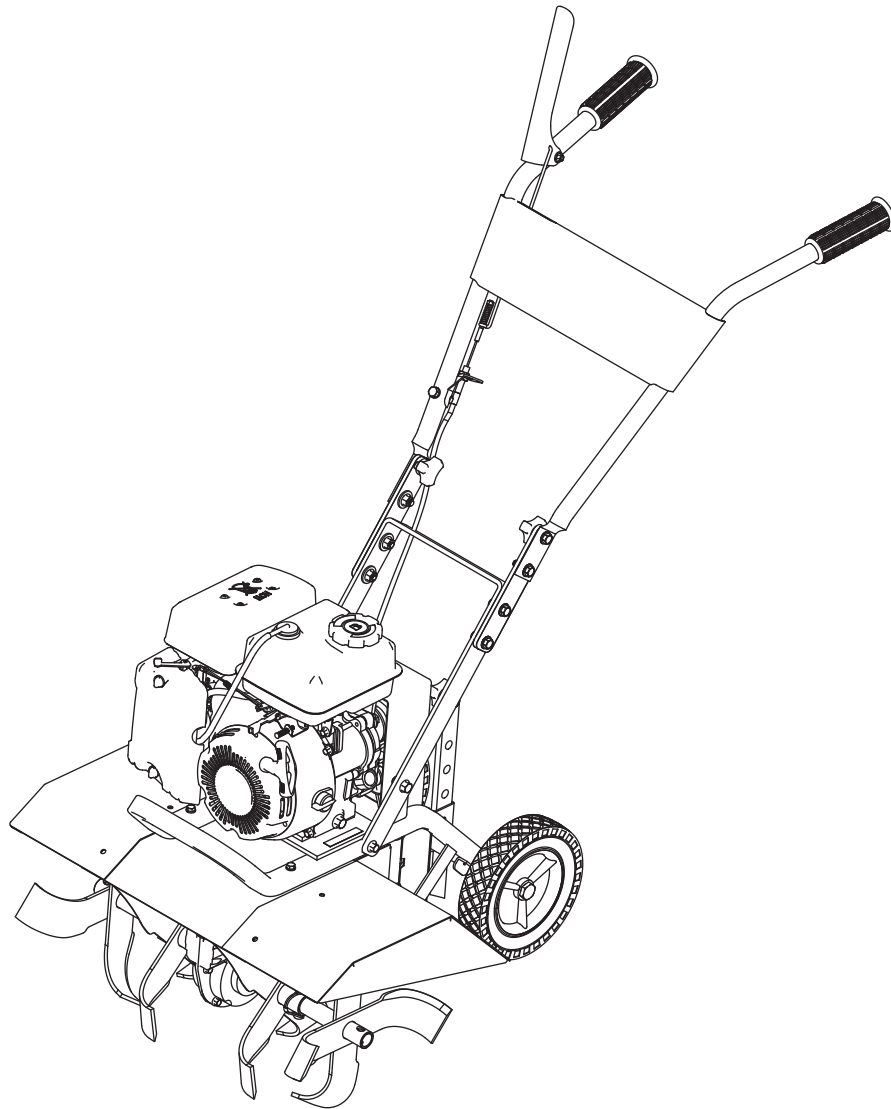



Earthquake[®]
POWERED CHORE EQUIPMENT

Operator's Manual
Original Operating Instructions

VECTOR[™]
Compact Tiller



Product Numbers:

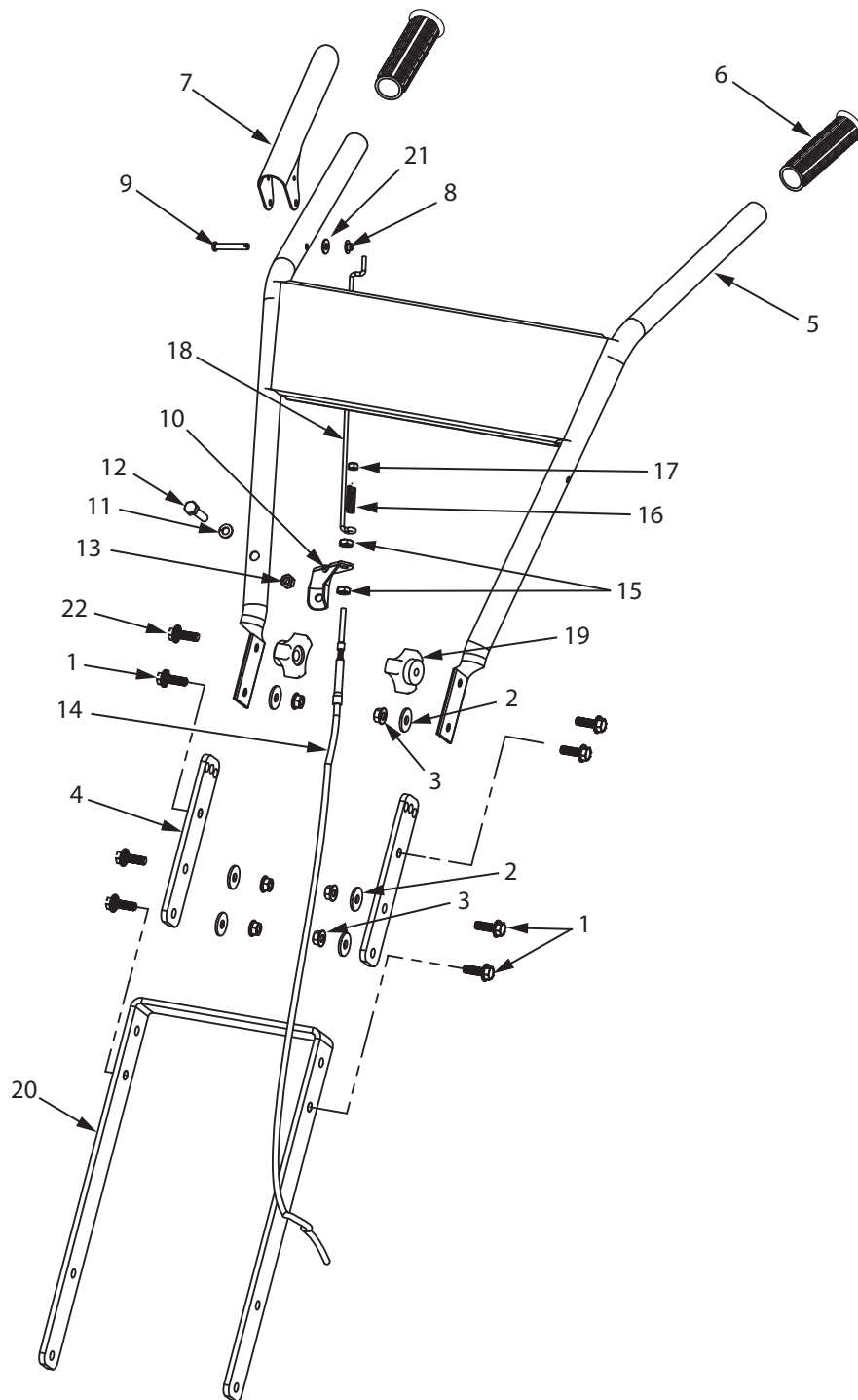
26750

14318 (CE)



P/N: 22693
ECN:10868
REV1: 06/22/15
© 2015 Ardisam, Inc.
All Rights Reserved

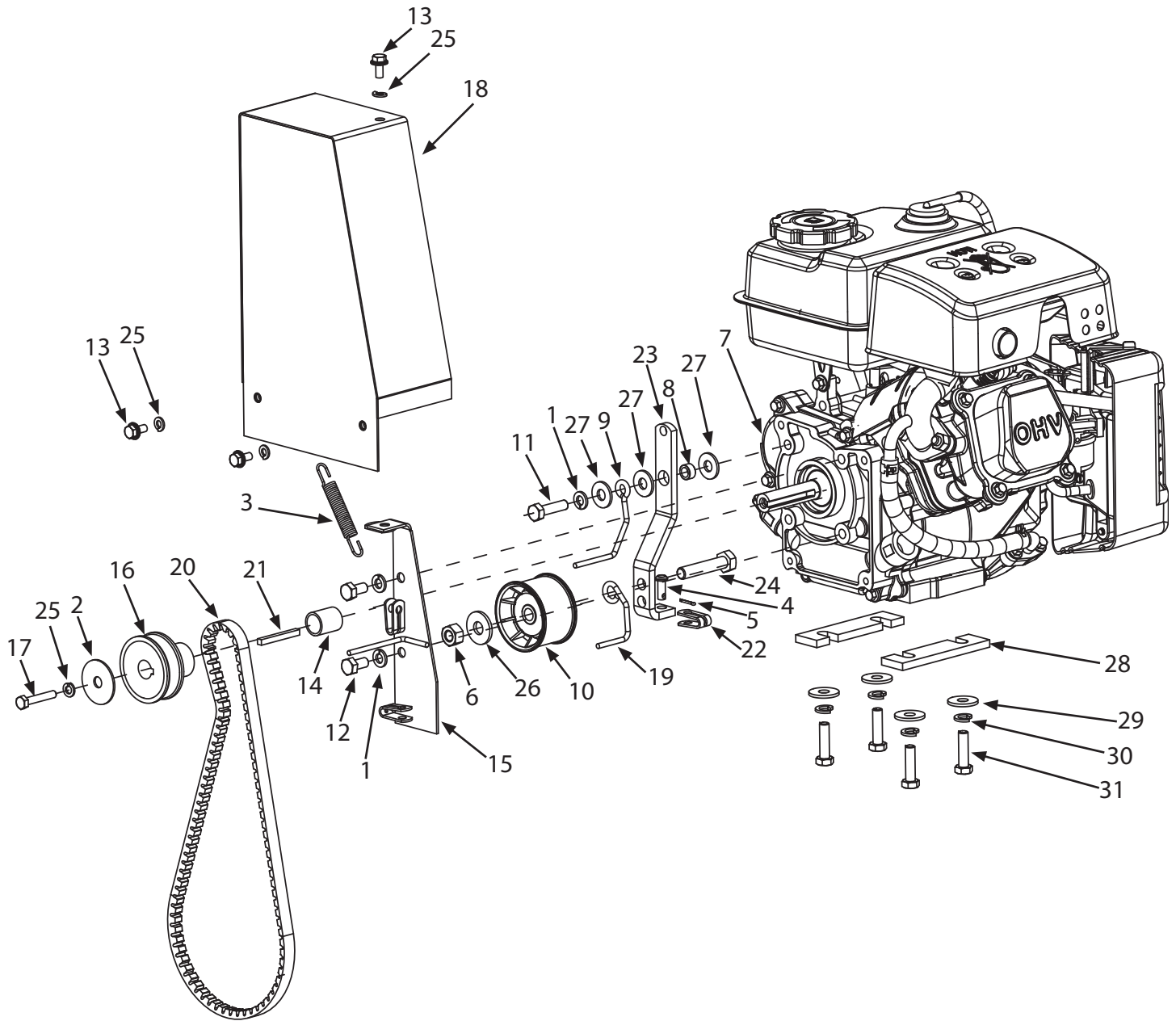
ILLUSTRATED PARTS BREAKDOWN - Handlebar Assembly



ILLUSTRATED PARTS BREAKDOWN - Handlebar Assembly

ITEM #	PART #	DESCRIPTION	QTY.
1	18135	BOLT M8 X 1.25 X 25 HEX HEAD	6
2	3245	WASHER M8 24 X 2.2MM	6
3	64132	NUT M8 X 1.25 HEX HEAD	6
4	18011	STRAP HANDLE BAR MIDDLE	2
5	13811	WELDMENT, HANDLEBAR	1
6	13833	HANDLEBAR GRIP 1 IN ID	2
7	53650	LEVER CONTROL	1
8	3248	NUT M5 X 0.8 NYLOCK	1
9	13159	BOLT 60D X 32 SHLDR M5 X 7MM HEX HEAD	1
10	53629	BRACKET CABLE MOUNT	1
11	504	LOCKWASHER-SPRING 5/16"	1
12	12770	BOLT M8 X 1.25 X 40MM HEX HEAD	1
13	13508	NUT M8 1.0	1
14	13822	CABLE FT PULLEY 787MM SHEATH	1
15	4620	JAM NUT M8 X 1.25	2
16	53620	SPRING COMPRESSION FORWARD ARM	1
17	IN58	NUT 5M X 0.8 NYLOCK	1
18	11397	LINK 260MM LONG	1
19	13601	KNOB M8 THREE STAR	2
20	18010	HANDLEBAR LOWER STRAP	1
21	3308	WASHER FLAT M5 5.3 X 10 X 1.0	1
22	13906	BOLT M8 X 1.25 X 20 HEX HEAD	2

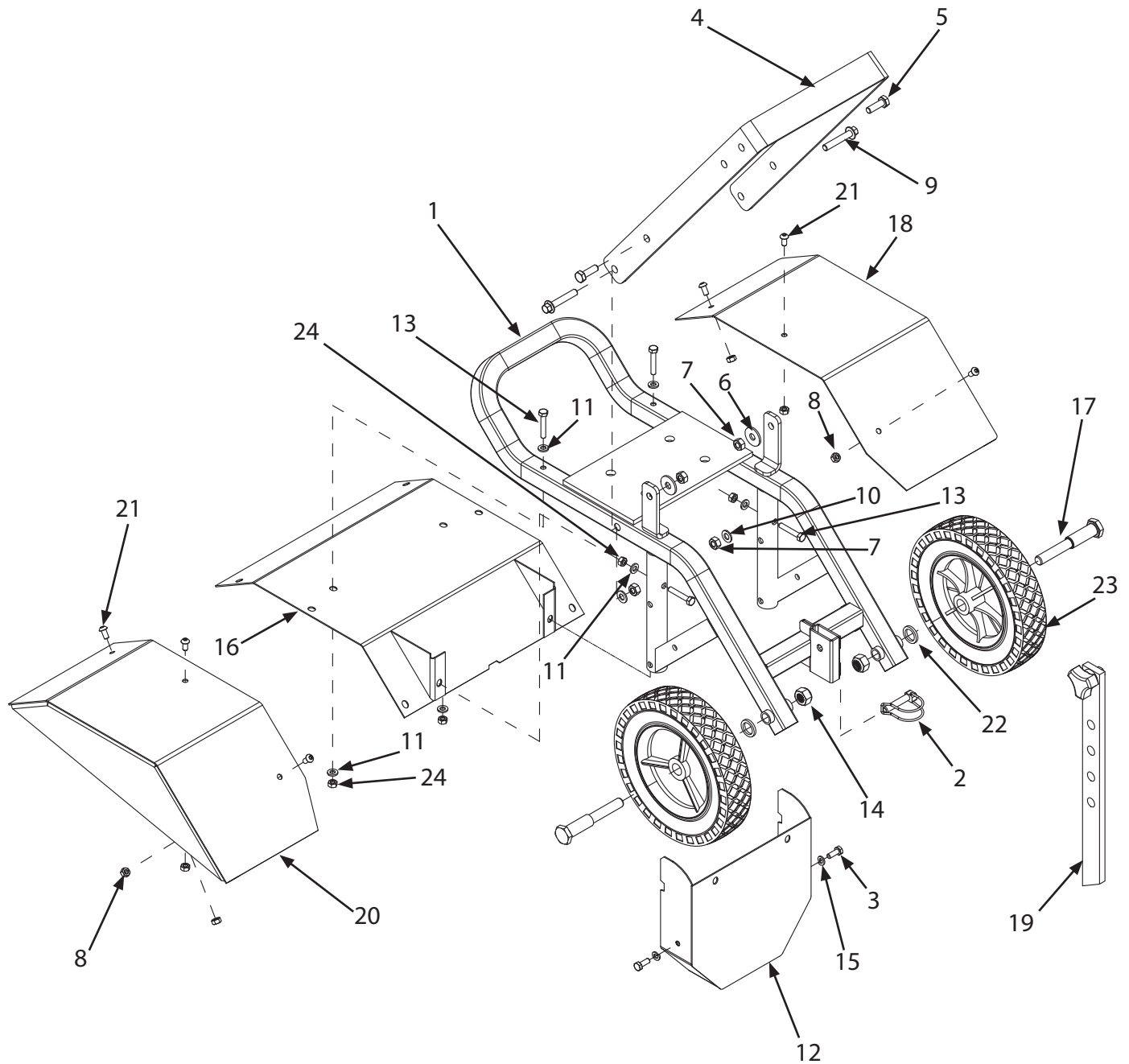
ILLUSTRATED PARTS BREAKDOWN - Engine Assembly



ILLUSTRATED PARTS BREAKDOWN - Engine Assembly

ITEM #	PART #	DESCRIPTION	QTY.
1	504	LOCKWASHER SPRING 5/16IN	3
2	803	WASHER 5/16ID X 1-1/2OD IN FLAT 16 GA	1
3	1407	SPRING FORWARD ARM	1
4	1416	PIN CLEVIS 6.3 X 16.8 MM	1
5	1418	PIN COTTER SIZE 2	1
6	3235	NUT M10 X 1.5 LOCK"	1
7	13276	ENGINE R100 99CC EPA III	1
8	13791	BUSHING 8.3 X 12.4 X 6.65 MM	1
9	14030	GUIDE BELT VECTOR	1
10	17354	PULLEY IDLER 55MM X 10.5MM X 33MM	1
11	17983	BOLT M8 X 1.25 X 30 HEX HEAD	1
12	17984	BOLT M8 X 1.25 X 16 HEX HEAD	2
13	19895	BOLT M6 X 1.0 X 12 HEX HEAD	3
14	18008	BUSHING 16.4 X 20 X 23.8MM	1
15	18015	WELDMENT CABLE GUIDE PLATE	1
16	18022	PULLEY SINGLE GROOVE 16MM ID	1
17	18104	BOLT M6 X 1.0 X 35 HEX HEAD	1
18	18129	WELDMENT GUARD PULLEY TOP	1
19	22563	WIREFORM BELT CATCH	1
20	22694	BELT V 4L 12X 876 TOOTH	1
21	38397	KEY 3/16IN X 1.75IN	1
22	53596B	YOKE ZINC PLATED CLEVIS	1
23	53617	ARM FORWARD	1
24	332033	BOLT M10 X 1.5 X 50 HEX HEAD	1
25	W1200116	WASHER M6 X 1.5 SPRINGLOCK	4
26	W1200126	WASHER M10 X 28 X 2.8	1
27	WF516	WASHER 5/16" ZN	3
28	18043	SHIM .25 IN ENGINE MOUNT	2
29	3245	WASHER M8 X 24 X 2.2MM	4
30	W1200114	WASHER M8 X 1.9 SPRING LOCK	4
31	18134	BOLT M8 X 1.0 X 35 HEX HEAD	4

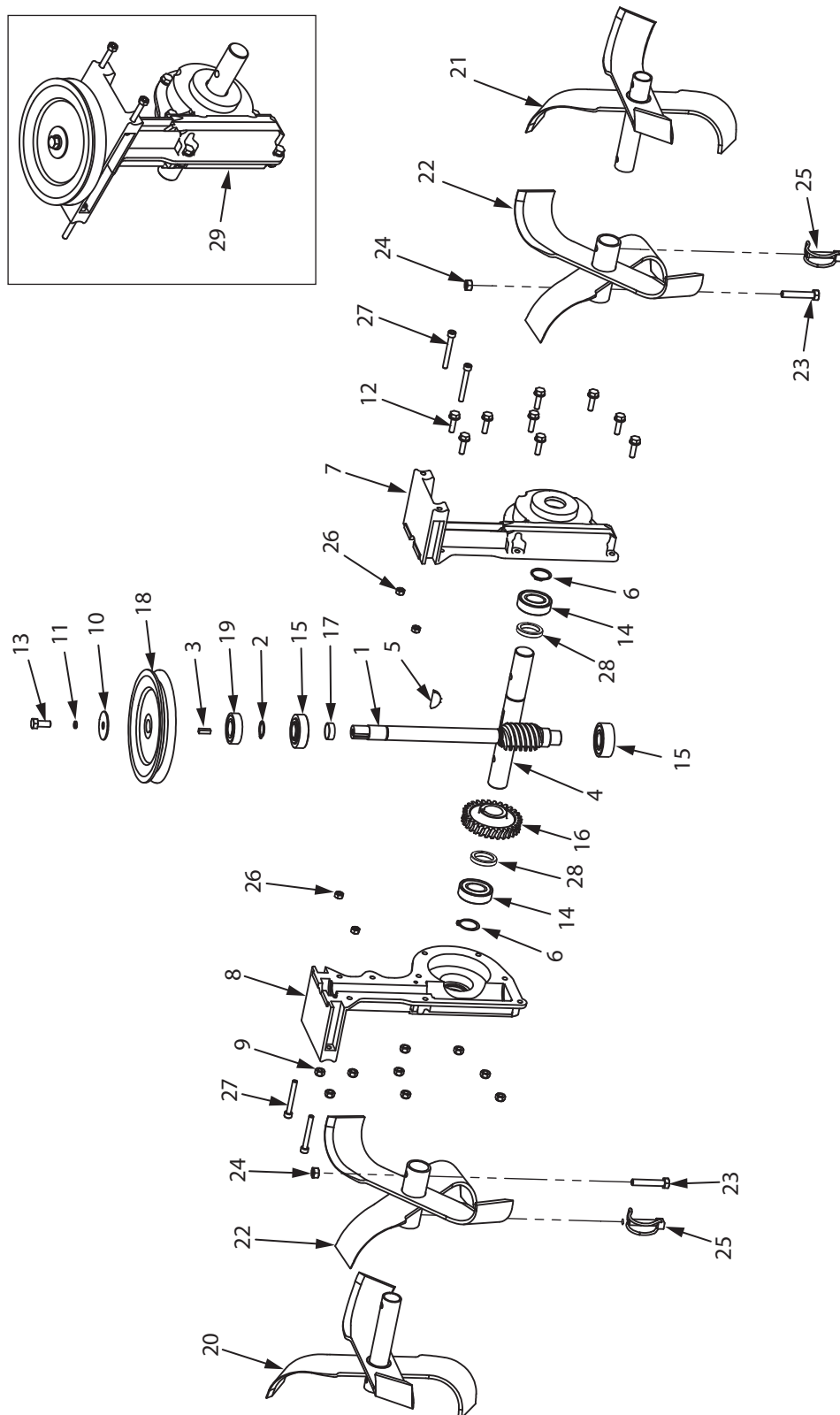
ILLUSTRATED PARTS BREAKDOWN - Chassis Assembly



ILLUSTRATED PARTS BREAKDOWN - Chassis Assembly

ITEM #	PART #	DESCRIPTION	QTY.
1	18004	WELDMENT VECTOR FRAME	1
2	18039	PIN LOCK 8 X 40MM	1
3	92776	BOLT M6 X 1.0 X 20 HEX HEAD	2
4	18010	HANDLEBAR LOWER STRAP	1
5	W1265V0904	BOLT M8 X 1.25 X 20 HEX HEAD	2
6	3245	WASHER M8 8.4 X 24 X 2.2MM	2
7	3252	NUT M8 X 1.25 HEX HEAD	4
8	W1265V0913	NUT M6 X 1.0 NYLOCK	6
9	3247	BOLT M8 X 1.25 X 45 HEX HEAD	2
10	400024	WASHER FLAT M8 X 16 X 1.6	2
11	W1200117	WASHER M6 X 13 X 1.75	6
12	18123	WELDMENT GUARD PULLEY LOWER	1
13	18103	BOLT M6 X 1.0 X 40 HEX HEAD	4
14	331052	NUT M12 X 1.75 NYLOCK	2
15	W1200116	WASHER M6 X 1.5	2
16	18119	WELDMENT SHIELD TINE MIDDLE	1
17	10513	BOLT M12 X 1.5 X 96 HEX HEAD SHOULDER M15.7 X 42	2
18	18118	WELDMENT SHIELD TINE RIGHT	1
19	18131	ASSEMBLY DRAG STAKE	1
20	18116	WELDMENT SHIELD TINE LEFT	1
21	18058	BOLT M6 x 1.0 x 12 BUTTON HEAD	6
22	10517	WASHER 16 ID X 25 OD X 2.5MM	2
23	15856	WHEEL 8ID X 5/8ID IN RUBBER GRAY	2
24	14109	NUT M6 X 1.0 NYLOCK	4

ILLUSTRATED PARTS BREAKDOWN - Transmission Assembly



ILLUSTRATED PARTS BREAKDOWN - Transmission Assembly

ITEM #	PART #	DESCRIPTION	QTY.
1	13610	WORM DRIVESHAFT 20MM OD	1
2	8924	RING RETAINING EXTERNAL 3/4 INCH	1
3	17989	KEY 5 X 5 X 20 MM	1
4	13612	TINE SHAFT 25MM OD 8MM KEY FT	1
5	17990	KEY 6 X 10 X 25MM HALF MOON	1
6	1810	SNAP RING 1" EXTERNAL	2
7*	-----	CASTING ALUMINUM FT RIGHT SIDE	1
8*	-----	CASTING ALUMINUM FT LEFT SIDE	1
9	13599	NUT M6 X 1.0 NYLOCK	9
10	803	WASHER 5/16"ID X 1-1/2"OD FLAT 16 GA.	1
11	1916965	WASHER 1/4" SPRING LOCK	1
12	13600	BOLT M6 X 1.0 X 25 HEX HEAD	9
13	W1265V0904	BOLT M8 X 1.25 X 20 HEX HEAD	1
14	13902	BEARING BALL 25MM ID	2
15	3220	BEARING TAPERED ROLLING 30204 20 X 47 X 15.2 MM	2
16	13615	GEAR BRASS 25MM ID 6MM KEY	1
17	13590	BUSHING 26 X 20.22 X 6.6MM	1
18	13619	PULLEY TRANS SINGLE GROOVE	1
19	3309	BEARING 6004 2RS	1
20	13905	OUTSIDE TINE RIGHT	1
21	13904	OUTSIDE TINE LEFT	1
22	13903	INSIDE TINE	2
23	3316	BOLT M8 x 1.25 x 45 HEX HEAD	2
24	400023	NUT M8 NYLOCK	2
25	18039	PIN LOCK 8 X 40MM	2
26	4650	NUT M6 X 1.0 NYLOCK	4
27	18103	BOLT M6 X 1.0 X 40 HEX HEAD	4
28	14421	SPACER 25 X 35 X 5.43MM	2
29	13586	ASSEMBLY COMPLETE TRANS	1

* Right and left castings sold as complete transmission 13586 Assembly only.