



# HONDA LOG SPLITTER

## Operation Manual

BE-LS22TL6505GO  
BE-LS28TL65065GX  
BE-LS34TL6509GX



### WARNING

This product contains lead, a chemical known to the State of California to cause birth defects or other reproductive harm. **Wash your hands after handling this product.**



### WARNING

The engine exhaust from this product contains chemicals known to the State of California to cause cancer and birth defects or other reproductive harm.



### WARNING

This product contains chemicals known to the State of California to cause cancer and birth defects or other reproductive harm.



## TABLE OF CONTENTS

---

### **Introduction**

- 4** Using the Operator's Manual

### **Product Identification**

- 5** Record Identification Numbers
- 6** Receipt and Inspection

### **Safety**

- 7** Safety Instructions
- 7** Hazard Symbols and Meanings
- 8** Training Safety
- 9** Preoperation Safety
- 10** Operation Safety
- 12** Operator Zone
- 13** Maintenance Safety
- 14** Fire Prevention
- 15** Towing Safety

### **Assembly**

- 17** Unpacking
- 19** Assembling

### **Set-Up**

- 28** Gas and Oil Fill-Up
- 28** Tire Pressure
- 28** Preparing the Log Splitter
- 30** Features and Controls

### **Operation**

- 32** Starting and Stopping the Engine
- 32** Operating Positions
- 33** Using Control Handle
- 34** Splitting the Wood
- 35** Operation Tips



**36** Transporting

### **Maintenance**

**37** Engine

**37** Tire Pressure

**37** Hose Clamps

**37** Hydraulic Filter

**37** Flexible Pump Coupler

**38** Hydraulic Fluid

**38** Beam and Splitting Wedge

**39** Off-Season Storage

### **Troubleshooting**

**40** Troubleshooting Chart

### **Specifications**

**41** Technical Specs

### **Diagram**

**42** Diagram

### **Parts List**

**43** Parts List



## INTRODUCTION

---



**Attention: Read through the complete manual prior to the initial use of your compressor.**

### **Using the Operator's manual**

Thank you for purchasing a BE Log Splitter. Your machine is designed for long life, dependability, and the top performance you demand! Please take time now to read through this manual so you better understand the machine's operation, maintenance and safety precautions.

Everyone who operates this machine must read and understand this manual. The time you take now will prolong your machine's life and prepare you for its safe operation. Enjoy the exceptional performance of your BE Log Splitter, the industry leader!

The manufacturer reserves the right to make improvements in design and/or changes in specifications at any time without incurring any obligation to install them on units previously sold.



## **Record Identification Numbers**

### **LOG SPLITTER**

If you need to contact an Authorized Dealer or Customer Service line (1-866-850-6662) for information on servicing, always provide the product model and identification numbers.

You will need to locate the model and serial number for the machine and record the information in the places provided below.

**Date of Purchase:**

**Dealer Name:**

**Dealer Phone:**

### **Product Identification Numbers**

**Model Number:**

**Serial Number:**



### **Receipt and Inspection**

Before signing the delivery receipt, inspect for damage and missing parts. If damage or missing parts are apparent, make the appropriate notation on the delivery receipt, then sign the receipt. Immediately contact the carrier for an inspection. All material must be held in the receiving location for the carrier's inspection. Delivery receipts that have been signed without a notation of damage or missing parts are considered to be delivered "clear." Subsequent claims are then considered to be concealed damage claims. Settle damage claims directly with the transportation company.

If you discover damage after receiving the air compressor (concealed damage), the carrier must be notified within 15 days of receipt and an inspection must be requested by telephone with confirmation in writing. On concealed damage claims, the burden of establishing that the compressor was damaged in transit reverts back to the claimant.


Read the compressor nameplate to verify it is the model ordered, and read the motor nameplate to verify it is compatible with your electrical conditions. Make sure electrical enclosures and components are appropriate.

## Save these Instructions

### SAFETY RULES



This is the safety alert symbol. It is used to alert you to potential personal injury hazards. Obey all safety messages that follow this symbol to avoid possible injury or death.

The safety alert symbol (  ) is used with a signal word (DANGER, CAUTION, WARNING), a pictorial and/or a safety message to alert you to hazards.













**DANGER** WILL cause DEATH, SEVERE INJURY or substantial property damage.

**WARNING CAN** cause DEATH, SEVERE INJURY or substantial property damage.

**CAUTION** WILL or CAN cause MINOR INJURY or property damage.

**NOTICE** indicates a situation that could result in equipment damage. Follow safety messages to avoid or reduce the risk of injury or death.

### Hazard Symbols and Meanings

			
EXPLOSION	FIRE	ELECTRIC SHOCK	TOXIC FUMES
			
KICKBACK	HOT SURFACE	WEAR EYE PROTECTION	SLIPPERY
			
FALL	FLUID INJECTION	MOVING PARTS	READ MANUAL



### TRAINING SAFETY

1. Read, understand, and follow all instructions on the machine and in the manual(s) before attempting to assemble and operate. Keep this manual in a safe place for future and regular reference and for ordering replacement parts.
2. Be familiar with all controls and their proper operation. Know how to stop the machine and disengage them quickly.
3. Never allow children under 18 years of age to operate this machine. Children 16 and over should read and understand the instructions and safe operation practices in this manual and on the machine and be trained and supervised by an adult.
4. Never allow adults to operate this machine without proper instruction.
5. Many accidents occur when more than one person operates the machine. No helper is allowed to assist in stacking logs.
6. Keep bystanders, pets, and children at least 25 feet from the machine while it is in operation.
7. Never allow anyone to ride on this machine.
8. Never transport cargo on this machine.
9. Hydraulic log splitters develop high fluid pressures during operation. Fluid escaping through a pin hole opening can penetrate your skin and cause blood poisoning, gangrene, or death. Give attention to the following instructions at all times:
  - a. Do not check for leaks with your hand.
  - b. Do not operate machine with frayed, kinked, cracked, or damaged hoses, fittings, or tubing.
  - c. Stop the engine and relieve hydraulic system pressure by cycling the valve control lever from forward to reverse several times while engine is not running; returning to neutral before repairing or adjusting fittings, hoses, tubing, or other system components.
  - d. Do not adjust the pressure settings of the pump or valve.
10. Leaks can be detected by passing cardboard or wood, while wearing protective gloves and safety glasses, over the suspected area. Look for discoloration of cardboard or wood.
11. If injured by escaping fluid, see a doctor immediately. Serious infection or reaction can develop if proper medical treatment is not administered immediately.
12. Keep the operator zone and adjacent area clear for safe, secure footing.
13. If your machine is equipped with an internal combustion engine and is intended for use near any unimproved forest, brush, or grass covered land, the engine exhaust should be equipped with a spark arrestor. Make sure you comply with applicable local, state, and federal codes. Take appropriate firefighting equipment with you.

 **WARNING**

- NEVER use this log splitter for any purpose other than splitting wood. It is designed for this use only. Any other use can cause serious injury or death.

**PREOPERATION SAFETY**

1. BEFORE operating this log splitter, make sure that you wear safety gear such as goggles or safety glasses, steel toed shoes and tight fitting gloves (without loose cuffs or draw strings). Always wear a protective hearing device when operating this log splitter.
2. NEVER wear loose clothing or jewelry that can be caught by moving parts of the log splitter. Keep clothing and hair away from all moving parts when operating this log splitter.
3. Check all safety guards and shields to be sure they are in the proper position. Never operate with safety guards, shields, or other protective features removed.
4. Make sure machine is on a flat, dry, solid ground before operating.
5. ALWAYS operate your log splitter in an open area. (Exhaust fumes contain carbon monoxide which can be deadly when inhaled.)
6. ALWAYS operate your log splitter in daylight or under good artificial light.
7. ALWAYS operate your log splitter on level ground. (Operating on a slope could cause the log splitter to roll over or logs to fall off.)
8. ALWAYS block wheels to prevent unintended movement.
9. ALWAYS lock beam in either the horizontal or vertical position.
10. ALWAYS keep the work area clean. Remove split wood around the log splitter immediately so that you don't stumble over it.
11. Check all nuts, bolts and hydraulic fittings are tight to be sure the equipment is in a safe working condition.
12. Both ends of the log should be cut as square as possible to help prevent the log from riding out of the splitter during operation. Do not split logs greater than 25 inches in length. Uneven logs (e.g. knotted, curved, etc.) should not be used.
13. ALWAYS check the oil level before you start the log splitter.
14. Do not allow familiarity with tools to make you careless. Remember that a careless fraction of a second is sufficient to inflict serious injury.

**⚠ WARNING**

- The operation of any power tool can result in foreign objects being thrown into your eyes, which can result in severe eye damage. Before beginning power tool operation, always wear safety goggles or safety glasses with side shields and, when needed, wear a full face shield and earplugs. We recommend a Wide Vision Safety Mask for use over eyeglasses or standard safety glasses with side shields. Always use eye protection which is marked to comply with ANSI Z87.1.

**OPERATION SAFETY**

1. **BEFORE** starting this machine, review the safe instructions in the manual. Failure to follow these rules may result in serious injury to the operator or bystanders.
2. **NEVER** leave this machine unattended with the engine running.
3. **DO NOT** operate machine while under the influence of alcohol, drugs, or medication.
4. **NEVER** allow anyone to operate this machine without proper instruction.
5. **ALWAYS** operate this machine with all safety equipment in place and working. Make sure all controls are operating properly for safe operation.
6. When loading a log, always place your hands on the side of the log, not on the ends, and never use your foot to help stabilize a log. Failure to do so, may result in crushed or amputated fingers, toes, hand, or foot.
7. **NEVER** use your foot, a rope or any extension device to operate the control lever on the valve. Only use hand.
8. Use only your right hand to operate the controls. **WARNING!** When stabilizing log with left hand, remove your hand when the wedge just contacts the log or serious injury may occur.
9. For logs which are not cut square, the least square end of the log should be placed toward the beam and wedge, and the square end placed toward the end plate.
10. When splitting in the vertical position, stabilize the log before moving the control handle. Split as follows:
  - a. Place log on the end plate and turn until it leans against the beam and is stable.
  - b. When splitting extra-large or uneven logs, the log must be stabilized with wooden shims or split wood placed between the log and end plate or ground
11. **NEVER** place hands or feet between the log and splitting wedge during forward or reverse stroke as this could result in serious injury or death. **NEVER** attempt to load the log splitter when the ram or wedge is in motion.

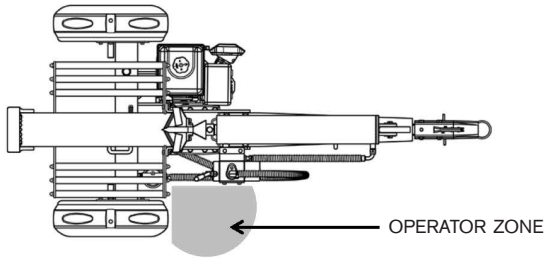


12. ALWAYS keep fingers away from any cracks that open in the log while splitting. They can quickly close and pinch or amputate your fingers.
13. Keep your work area clean. Immediately remove split wood around the machine so you do not stumble over it.
14. NEVER straddle or step over the log splitter during operation.
15. NEVER reach or bend over the log splitter to pick up a log.
16. NEVER try to split two logs on top of each other. NEVER try to cross split a log.
17. NEVER operate your log splitter when it is in poor mechanical condition or in need of repair.
18. NEVER touch the muffler and other hot areas of the engine during operation. Wait until the engine cools down.
19. NEVER tamper with the engine to run it at excessive speeds. The maximum engine speed is preset by the manufacturer and is within safety limits. Refer to the engine owner's manual for your particular log splitter.
20. NEVER move the log splitter while the engine is running. Shut off the engine if you are leaving the log splitter, even for a short period of time.
21. ALWAYS be careful when moving or lifting the log splitter. Get assistance if it feels too heavy to move by yourself.

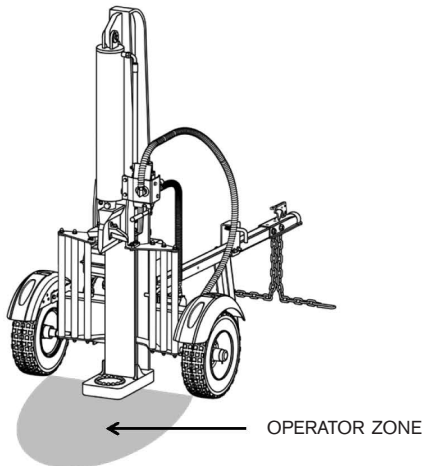
**OPERATOR ZONE****⚠ WARNING**

- **ONLY** operate the log splitter from the operator zone as shown in the diagram. The operator has the safest and most efficient access to the control valve and the beam in this location. Failure to operate the log splitter in this position can result in serious injury or death.

**Horizontal Operating Position:** Stand on the control lever side of the log splitter and stabilize log as shown.



**Vertical Operating Position:** Stand in front of the log splitter and stabilize log as shown.





## MAINTENANCE SAFETY

1. Stop the engine, disconnect the spark plug and ground it against the engine before cleaning, or inspecting the machine. NEVER perform any service or repair on your log splitter without first removing the spark plug wire.
2. Stop the engine and relieve hydraulic system pressure by cycling the valve control lever from forward to reverse several times while engine is not running; returning to neutral before repairing or adjusting fittings, hoses, tubing, or other system components.
3. ALWAYS perform all recommended maintenance procedures before using your log splitter.
4. ALWAYS check the level of hydraulic oil and engine oil before operation.
5. ALWAYS periodically check that all nuts, bolts, screws, hydraulic fittings and hose clamps are tight to be sure equipment is in safe working condition.
6. ALWAYS replace all damaged or worn parts immediately with original equipment manufacturer's (O.E.M.) parts only. Use of parts which do not meet the original equipment specifications may lead to improper performance and compromise safety.
7. The hydraulic system of your log splitter requires careful inspection along with the mechanical parts. Be sure to replace frayed, kinked, cracked or otherwise damaged hydraulic hoses or hydraulic components.
8. NEVER check for leaks of hydraulic fluid with your hand. Fluid escaping from a small hole can be almost invisible. Escaping fluid under pressure can have sufficient force to penetrate skin causing **SERIOUS INJURY** or even **DEATH**. Leaks can be safely detected by passing a piece of cardboard over the suspected leak and looking for discoloration.
9. NEVER remove the cap from the hydraulic tank or reservoir while the log splitter is running. The tank could contain hot oil under pressure which could result in serious injury.
10. NEVER adjust the hydraulic valve. The pressure relief valve on your log splitter is preset at the factory. Only a qualified service technician should perform this adjustment.
11. ALWAYS seek professional medical attention immediately if injured by escaping hydraulic fluid. Serious infection or reaction can develop if proper medical treatment is not administered immediately.
12. ALWAYS be sure to relieve all pressure by shutting off the engine and moving the valve control handle back and forth should it become necessary to loosen or remove any hydraulic fitting.

**⚠ WARNING**

- NEVER alter your log splitter in any manner. Such alterations may cause your log splitter to be unsafe and will void the warranty.
- According to the Consumer Products Safety Commission (CPSC) and the U.S. Environmental Protection Agency (EPA), this product has an Average Useful Life of seven (7) years, or 130 hours of operation. At the end of the Average Useful Life have the machine inspected annually by an authorized service dealer to ensure that all mechanical and safety systems are working properly and not worn excessively. Failure to do so can result in accidents, injuries or death.

**FIRE PREVENTION**

1. ALWAYS take a Class B fire extinguisher with you when operating this log splitter in dry areas.
2. NEVER operate your log splitter near a flame or spark or smoke during operation. Extinguish all cigarettes, cigars, pipes, and other sources of ignition. Hydraulic oil and gasoline are flammable and can explode.
3. To avoid personal injury or property damage use extreme care in handling gasoline. Gasoline is extremely flammable and the vapors are explosive.
4. ALWAYS store gasoline in an approved, tightly sealed container, and keep away from heating appliances. Store the container in a cool, dry place.
5. When gasoline is spilled on yourself or your clothes which can ignite, wash your skin and change clothes immediately.
6. NEVER refuel the gas tank while the engine is hot or running. Allow the engine to cool before refueling.
7. ONLY refuel your log splitter in a clear area with no gas fumes or spilled gas. Never fuel machine indoors.
8. Never overfill the fuel tank. Fill tank to no more than 1/2 inch below bottom of filler neck to provide space for fuel expansion.
9. If gasoline is spilled out, wipe it off the engine and equipment and move machine to another area. Wait five (5) minutes before starting the engine.
10. ALWAYS replace the gas cap securely. Never remove gas cap while the engine is hot or running.
11. To prevent fires, clean debris and chaff from the engine and muffler areas.
12. Allow machine to cool at least ten (10) minutes before storing.
13. ALWAYS drain the fuel tank prior to storage to avoid the potential fire hazard.
14. Never store the machine or fuel container inside where there is an open flame, spark or pilot light as on a water heater, space heater, furnace, clothes dryer or other gas appliances.

15. If the engine is equipped with a spark arrester muffler, clean and inspect it regularly according to manufacturer's instructions. Replace if damaged.

 **WARNING**

**SPARK ARRESTOR**

- This log splitter is equipped with an internal combustion engine and should not be used on or near any unimproved forest-covered, brush-covered or grass-covered land unless the engine's exhaust system is equipped with a spark arrester meeting applicable local or state laws (if any). If a spark arrester is used, it should be maintained in effective working order by the operator. In the state of California, a spark arrester is required by law. Other states have similar laws. Federal laws apply on federal lands. A spark arrester muffler is optional and available as an accessory at your nearest engine dealer. Always check the legal requirements in your area.

**TOWING SAFETY**

1. NEVER carry any cargo or wood on your log splitter.
2. NEVER allow anyone to sit or ride on your log splitter.
3. ALWAYS turn the fuel shut off valve on the engine to the "OFF" position before towing the log splitter. Failure to do so may result in flooding the engine.
4. ALWAYS confirm coupler tightness each time before towing and after towing 50 miles.
5. ALWAYS check before towing to make sure that the log splitter is correctly and securely attached to the towing vehicle and that the safety chains are secured to the hitch or bumper of the vehicle with enough slack to allow turning. Always use a Class I, 2" ball with this log splitter.
6. NEVER exceed weight capacity of ball or load limits of coupler. ALWAYS replace ball or coupler if damaged.
7. NEVER exceed 45 mph when towing your log splitter. Towing the log splitter at speeds higher than 45 mph could result in loss of control, damage to the equipment, or serious injury or death. Adjust towing speed for terrain and conditions.
8. ALWAYS be careful when backing up with your log splitter in tow. It could jackknife.
9. ALWAYS allow for added length of your log splitter when turning, parking, and crossing intersections and in all driving situations.
10. ALWAYS use safety chains when towing your log splitter.
11. Be extra cautious when towing over rough terrain, especially railroad crossings, and avoid sharp turns and steep angles when towing your log splitter.



## SAFETY

---

12. Never attempt to move this machine over hilly or uneven terrain without a tow vehicle or adequate help.
13. ALWAYS disconnect your log splitter from the towing vehicle before operating it.
14. ALWAYS check all local and state regulations regarding towing, licensing, and lights before towing your log splitter. This machine should not be towed on any street, highway or public road without checking the existing federal, state, or local vehicle requirements. Any licensing or modifications such as taillights, etc., needed to comply, is the sole responsibility of the purchaser. If a "Statement of Origin" is required in your state, see your local dealer.
15. See Transporting the Log Splitter section in this manual for proper towing instructions once all federal, local, or state requirements are met.

## Assembly

### UNPACKING

#### WARNING

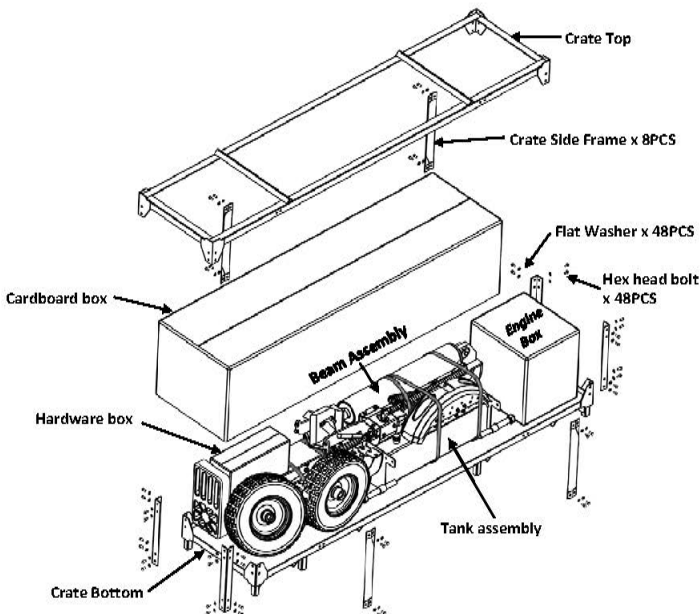
- Use extreme caution unpacking this machine. Some components are very heavy and will require additional people or mechanical handling equipment.

- All references in this manual to the left or right side and front or back of the log splitter are from the operating position only. Exceptions, if any, will be specified.

Unpacking tools needed:

1. Wrench 14mm
2. Scissors or knife
3. Pry bar or claw hammer

**STEP 1:** Use a 14mm wrench to remove all the bolts and washers on the metal crate, put aside the packing top and side frames, then remove the cardboard box.





## ASSEMBLY

---

**STEP 2:** Remove all loose parts included in the container, e.g. operator's manual, wheels, hardware box and engine box.

**STEP 3:** Use scissors or a knife to cut and remove the straps securing the parts to the beam or tank assembly, including fenders, tongue assembly, log tray & log dislodger assemblies, then put aside these parts for assembly.

- DO NOT remove the strap securing the hydraulic hoses assemblies to the beam at this time, until you do the assembly procedure of the hoses.

**STEP 4:** Use a pry bar or claw hammer to remove the plywood splinters securing the beam and tank assemblies on the crate bottom. Take out the two assemblies.

**STEP 5:** Inspect all component assemblies, parts and accessories according to the packing list attached in this manual. Make sure all items listed in the packing list are included, and of no shipping damage.

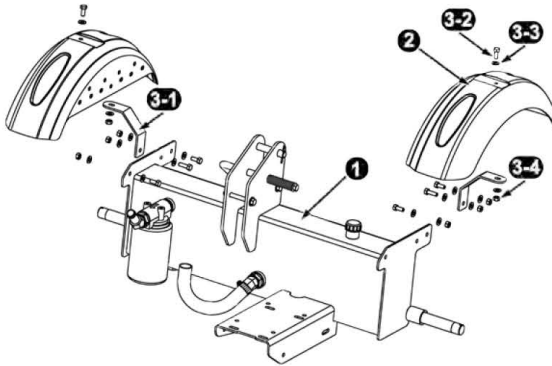
If any parts are damaged or missing, please call the authorized service dealer for assistance.

- DO NOT discard the packing materials until you have carefully inspected and satisfactorily operated the tool.

**ASSEMBLING**

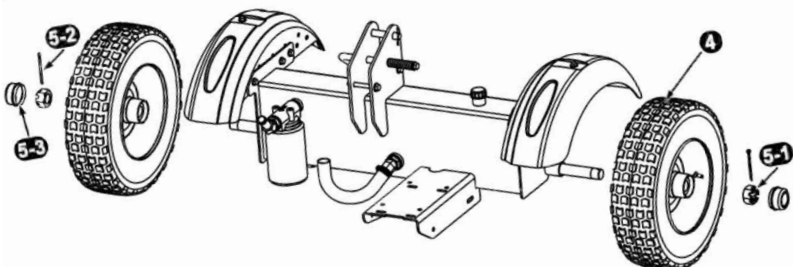
- Due to the weight / size of the log splitter, it's recommended that two or more adults be present to assist with the assembling.

**STEP 1:** Assemble the fenders to the reservoir assembly.



REF #	DESCRIPTION	QTY
1	Reservoir tank assembly	1
2	Fender	2
3	Hardware kit #1(not shown) Including:	1
3-1	Fender support	2
3-2	Hex head bolt / M8 x 25	8
3-3	Flat washer / M8	16
3-4	Lock nut / M8	8

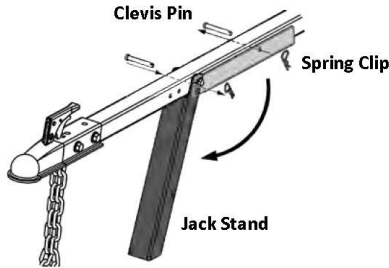
**STEP 2:** Attach the two wheels to the tank assembly wheel spindles.



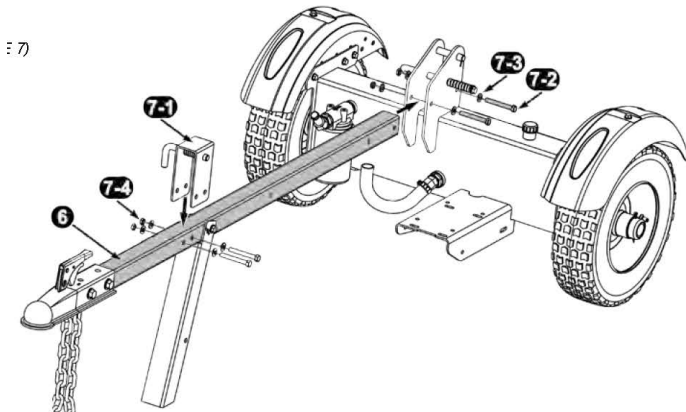
REF #	DESCRIPTION	QTY
4	Road-Speed Tire and Wheel	2
5	Hardware Kit #2 (not shown) Including:	1
5-1	Castle nut / 1-14	2
5-2	Split Pin / Ø4 x 35	2
5-3	Hub cap	2

**STEP 3:** Attach the tongue and jack stand assembly to the reservoir assembly.

1. Remove the spring clip (Ø3) and clevis pin (Ø6 x 50) from the jack stand on the tongue, and then pivot the jack stand towards the ground into the operating position. Secure the jack stand in position with the clevis pin and spring clip just removed.



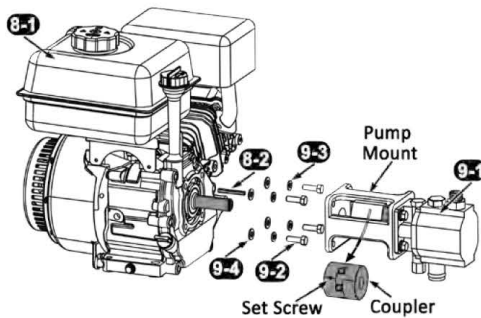
2. Attach the horizontal beam lock to the tongue, and then attach the tongue to the reservoir assembly.



REF #	DESCRIPTION	QTY
6	Tongue & Jack stand assembly	1
7	Hardware Kit #3 (not shown) Including:	1
7-1	Horizontal beam lock	1
7-2	Hex head bolt / M10 x 80	4
7-3	Flat washer / M10	8
7-4	Lock nut / M10	4

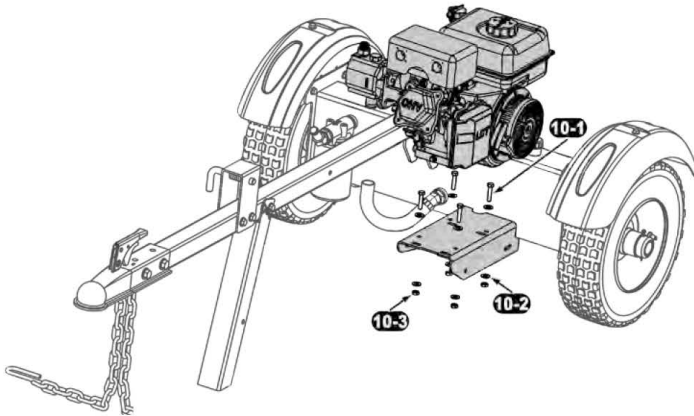
**STEP 4:** Assemble the pump assembly to the engine.

1. Loosen the set screw on the coupler at the engine side.
2. Place the engine shaft key into the slot on the engine shaft.
3. Insert the engine shaft into the center hole of coupler, pivoting the pump assembly to ensure the engine shaft key to fit in the slot of the coupler center hole. Then tighten the set screw just loosened.
4. Rotate the engine shaft to align the fixing holes on both pump mount and engine, and ensure the open side of the pump mount facing down as shown in the illustration below, then screw on the hardware and tighten.



REF #	DESCRIPTION	QTY
8	Engine assembly (in engine box, not shown) Including:	1
8-1	Engine	1
8-2	Engine shaft key	1
9	Hardware Kit #4 (not shown) Including:	1
9-1	Two stage pump assembly	1
9-2	Hex head bolt / 5/16-24	4
9-3	Spring washer / 5/16	4
9-4	Flat washer / 5/16	4

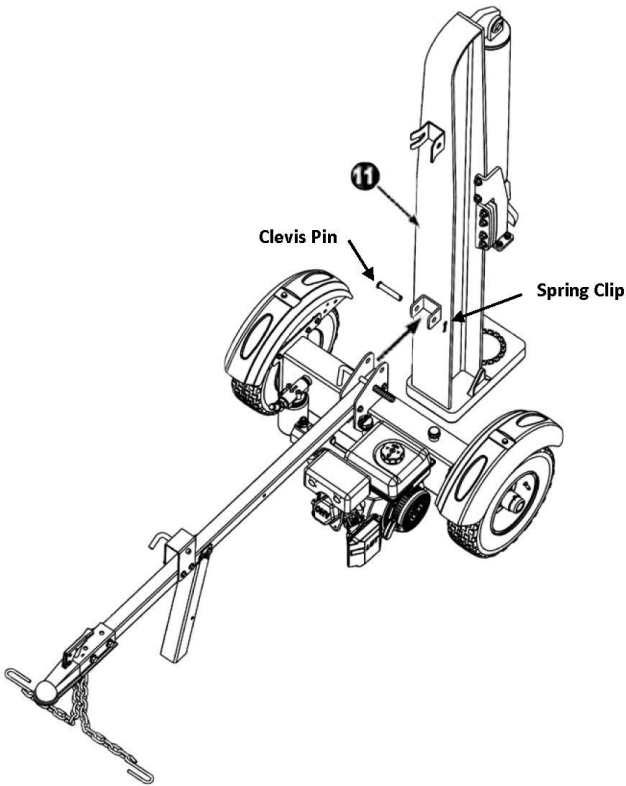
**STEP 5:** Attach the engine assembly to the engine mount plate on the reservoir assembly.



REF #	DESCRIPTION	QTY
10	Hardware kit #5 (not shown) Including:	1
10-1	Hex head bolt / M8 x 40	4
10-2	Flat washer / M8	8
10-3	Lock nut / M8	4

**STEP 6:** Assemble the beam.

1. Stand the beam up on end. Two or more people may be needed for this step to ensure safety. Make sure that the beam is stable and on a level surface.
2. Remove the clevis pin and spring pin from the tank brackets. Roll the tongue/ tank assembly into position between the two tabs on the beam. Slide the clevis pin through the aligned holes and lock in place with the spring clip.

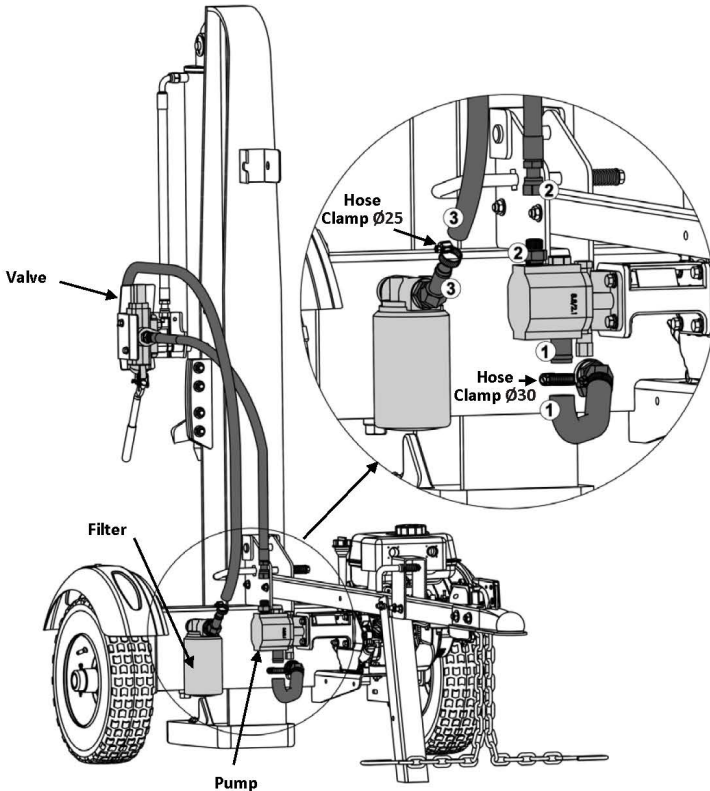


REF #	DESCRIPTION	QTY
11	Beam assembly	1

<b>WARNING</b>
<ul style="list-style-type: none"> <li>Take extra care when raising and lowering the beam as it is fairly heavy. Having a second person assist with raising or lowering the beam is recommended. Be sure to keep hands away from any possible pinch points.</li> </ul>

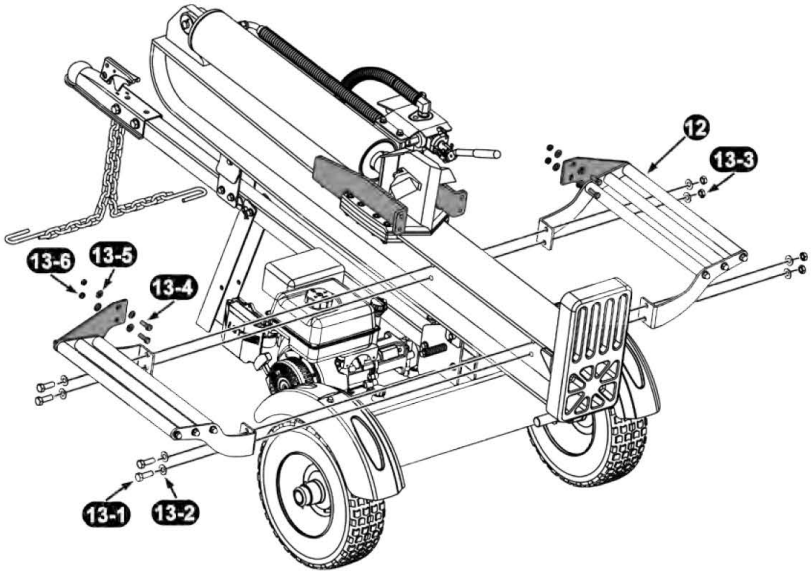
**STEP 7:** Connect the open ends of the hydraulic hoses to their corresponding fittings. There are three hydraulic hoses listed below, each of them has one end fixed on the link part assembly at the manufacturer's field, the other open end needs you to attach. For clear view of the hydraulic hoses, the hose protective springs are not shown in the illustration below.

1. Oil suction hose /  $\varnothing 25 \times 310$  mm, labeled as 1, comes from the tank. Loosen the hose clamp /  $\varnothing 30$  on the open end of this hose, then connect the hose to the fitting on the bottom of the pump, which is labeled of a same 1. Tighten the hose clamp.
2. Pump / Valve connecting hose /  $\varnothing 19 \times 900$ mm, labeled as 2, comes from the bottom of the valve. Screw the open end of this hose onto the fitting on top of the pump, which is labeled of a same 2.
3. Oil return hose /  $\varnothing 19 \times 1500$ mm, labeled as 3, comes from the top of the valve. Loosen the hose clamp /  $\varnothing 25$  on the open end of this hose, then connect the hose to the fitting on the filter, which is labeled of a same 3. Tighten the hose clamp.



**STEP 8:** Assemble the log dislodger and log tray.

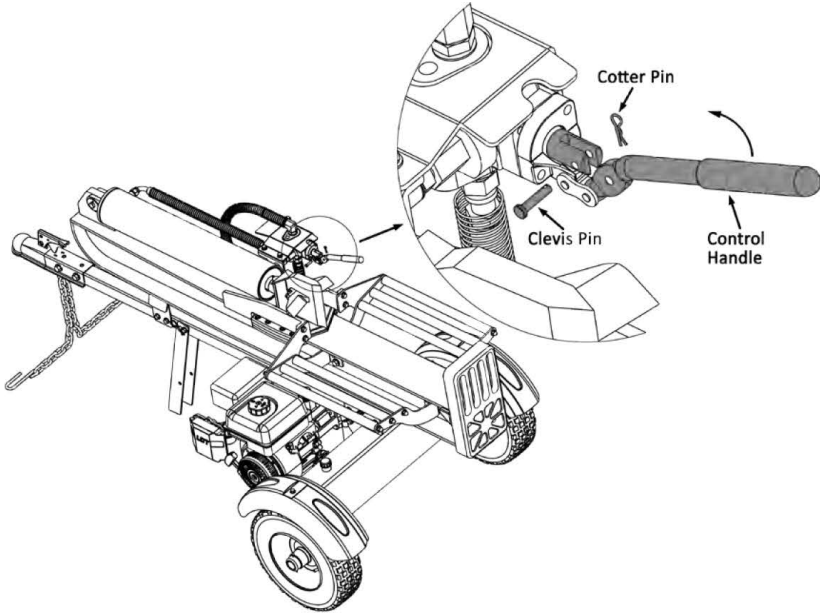
1. Attach the log tray to the beam, and log dislodger to its link part (see highlighted parts in illustration below). You could perform this procedure when the beam is horizontal or vertical position.



REF #	DESCRIPTION	QTY
12	Log tray & Log dislodger assembly	2
13	Hardware Kit #6 (not shown) Including:	1
13-1	Hex head bolt / M12 x 45	4
13-2	Flat washer / M12	8
13-3	Lock nut / M12	4
13-4	Hex head bolt / M10 x 35	4
13-5	Flat washer / M10	8
13-6	Lock nut / M10	4

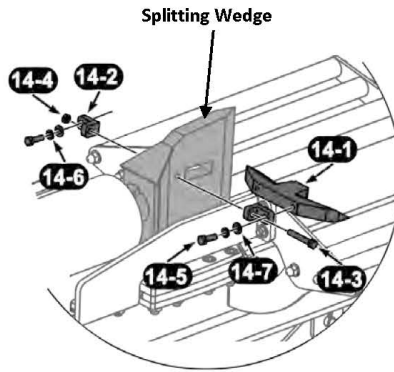
**STEP 9:** Assemble the control handle. The control handle is shipped hanging from the valve on the handle link.

1. Remove the clevis pin and bow-tie cotter pin from the control handle.
2. Rotate the control handle into the operating position and secure with the clevis pin and bow-tie cotter pin removed in step above.



**STEP 10:** If your log splitter doesn't include a cross wedge, while you buy one separately, please refer to following instructions to assemble the cross wedge.

1. Insert the cross wedge to the rectangular hole on the splitting wedge.
2. Align the holes on the cross wedge, splitting wedge and the L-shape support, then secure the hardware included in the cross wedge package.



REF #	DESCRIPTION	QTY
14	Cross wedge assembly package (not shown), including	1
14-1	Cross wedge	1
14-2	L-shape support	2
14-3	Hex head bolt / M8 x 55	1
14-4	Lock nut / M8	1
14-5	Hex head bolt / M8 x 25	2
14-6	Spring washer / M8	2
14-7	Flat washer / M8	2

## Set-Up

### GAS AND OIL FILL-UP

Service the engine with gasoline and oil as instructed in the engine manual packed with your log splitter. Read the instructions carefully.

#### **WARNING**

- Use extreme care when handling gasoline. Gasoline is extremely flammable and the vapors are explosive. Never fuel the machine indoors or while the engine is hot or running.

- Your log splitter is shipped with motor oil in the engine. You **MUST** check the oil level before operating. Be careful not to overfill. Gasoline can be added to the engine when the log splitter is in either the horizontal or vertical position. However, it may be easier when the splitter is in the vertical position.

### TIRE PRESSURE

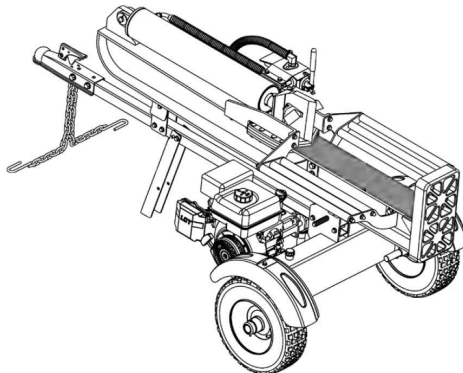
The max recommended operating pressure is 30 psi. Under any circumstances do not exceed the manufacturer's recommended psi. Maintain equal pressure on all tires.

#### **WARNING**

- Excessive pressure when seating beads may cause tire/rim assembly to burst with force sufficient to cause serious injury.

### PREPARING THE LOG SPLITTER

1. Lubricate the beam area (where the splitting wedge will slide) with engine oil. Do not use grease.
2. Fill hydraulic oil before your initial use.



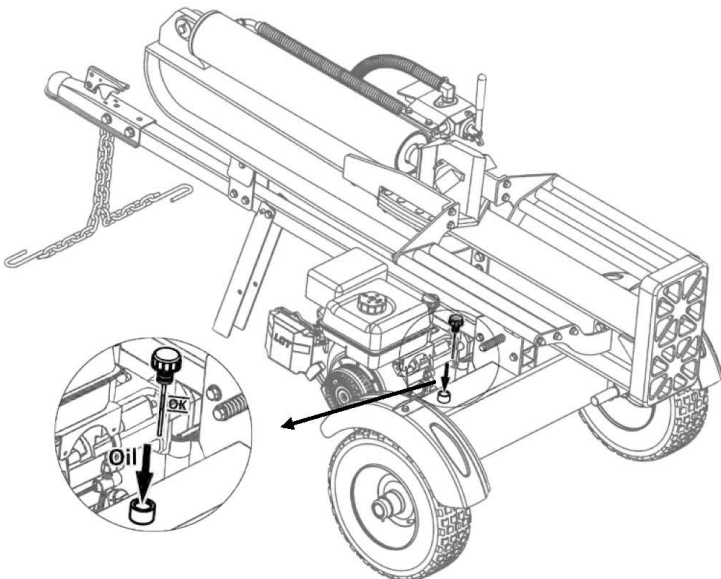
- The log splitter is shipped without hydraulic fluid in the reservoir. Use the hydraulic oil your dealer provides, or buy the hydraulic oil recommended below.
- Approved fluids include Shell Tellus® S2 M 32 Hydraulic Fluid, Dexron® III / Mercon® automatic transmission fluid, Pro-Select™ AW-32 Hydraulic Oil or 10WAW-ISO viscosity grade 32 hydraulic oil. It is not recommended that fluids be mixed, to top off the reservoir tank during initial set-up use Shell Tellus® S2 M 32 Hydraulic Fluid only.

3. However, you **MUST** check the fluid level before each operating. If not filled, proceed with the following steps:
- 1) Remove the vented reservoir dipstick, which is located in front of the engine on top of the reservoir tank.

**⚠ WARNING**

- Much of the original fluid has been drawn into the cylinder and hoses. Make certain to refill the reservoir to prevent damage to the hydraulic pump. **DO NOT** overfill.

- 2) Check the fluid level using the dipstick.



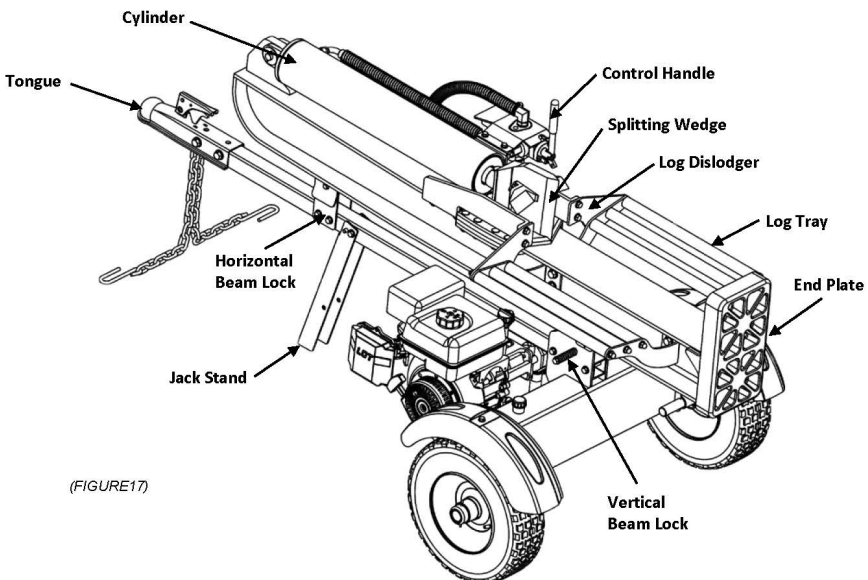
- 3) Replace the vented dipstick securely, tightening it until the top of the threads are flush with top of the pipe.
- 4) Disconnect the spark plug and prime the pump by pulling the recoil starter as far as it will go. Repeat approximately 10 times.
- 5) Reconnect the spark plug wire and start the engine, following instructions in the Engine Operator's manual.
- 6) Use the control handle to engage the wedge to the farthest extended position. Then retract the wedge.

▪ Failure to refill the tank will void the splitter's warranty.

- 7) Refill the tank as specified on the dipstick if necessary.
- 8) Extend and retract the wedge 12 complete cycles to remove any trapped air in the system (the system is "self-bleeding").
- 9) Refill the reservoir within the range marked on the dipstick if necessary.

▪ Some fluid may overflow from the vent plug as the system builds heat and the fluid expands and seeks a balanced level.

## FEATURES AND CONTROLS



(FIGURE17)

- This Operator's Manual covers several models. Log splitter features may vary by model. Not all features in this manual are applicable to all log splitter models and the log splitter depicted may differ from yours.

## **ENGINE CONTROLS**

See the Engine Operator's Manual for the location and function of the controls on the engine.

## **BEAM LOCKS**

These two locks, as their name suggests, are used to secure the beam in the horizontal or the vertical position. The vertical beam lock is located next to the engine. The horizontal beam lock is located on the beam support latch bracket.

## **CONTROL HANDLE**

The control handle has three positions; Forward, Neutral and Reverse. See the Operation section for instructions.

## **SPLITTING WEDGE**

The wedge is used to split the wood.

## **LOG DISLODGER**

The log dislodger is designed to remove any partially split wood from the wedge. This may occur while splitting large diameter wood or freshly cut wood.

## **LOG TRAY**

The log tray is designed to catch the log after it is split.

## **TONGUE**

The tongue is used to attach to a towing vehicle for transportation.

## **END PLATE**

The end plate holds the log in place while the wedge splits the log.

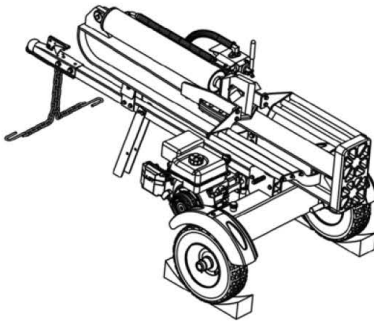
## Operation

### STARTING & STOPPING THE ENGINE

Refer to the Engine Operator's manual packed with your log splitter for instructions on starting and stopping the engine.

### OPERATING POSITIONS

1. Place the log splitter on flat, dry, solid ground.
2. Block the front and back of both wheels.



3. Place the beam in either the horizontal or vertical position and lock into place.

**WARNING**

- Take extra care when raising and lowering the beam as it is fairly heavy. Having a second person assist with raising or lowering the beam is recommended. Be sure to keep hands away from any possible pinch points.

4. To place the beam in the Vertical Position proceed as follows:

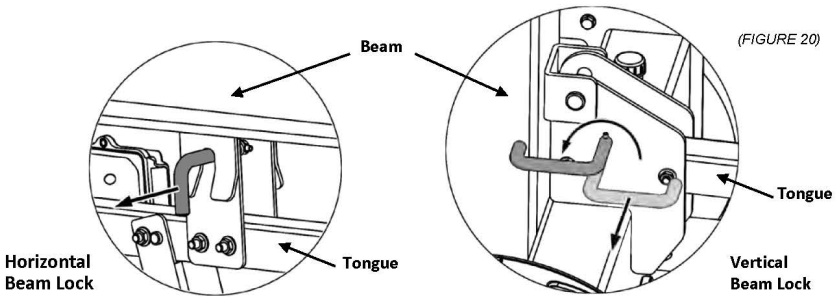
**WARNING**

- Always use the log splitter in the vertical position when splitting heavy logs.

- 1) Pull the horizontal beam lock out to release the beam and pivot the beam to the vertical position.
- 2) To lock the beam in the vertical position, pull out the vertical beam lock and rotate it to secure the beam.

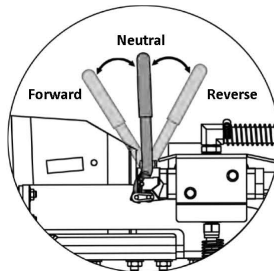
5. To place the beam in the Horizontal Position proceed as follows:

- 1) Pull the vertical beam lock out and rotate it down. Pivot the beam to the horizontal position.
- 2) The horizontal beam lock is self-locking. The spring loaded lock will snap into place when the beam is lowered into position.



### USING CONTROL HANDLE

The control handle has three positions.



**FORWARD:** To split wood. Move the control handle to the FORWARD position to move wedge toward the log to split.

- The control handle will return to the NEUTRAL position as soon as the handle is released (FORWARD position only), and the wedge stops moving forward.

**NEUTRAL:** To stop wedge. Release the control handle or move the lever to the NEUTRAL position to stop the wedge movement.

**REVERSE:** To return the wedge. Move the control handle to the REVERSE position, the wedge returns automatically toward the cylinder. When the wedge is fully retracted, the control handle returns to the NEUTRAL position automatically.

Do not hold the handle in the REVERSE position when fully retracted.

**⚠ WARNING**

- If the control handle on your log splitter is not functioning properly, **STOP USE IMMEDIATELY** and contact an authorized service dealer.
- Do not attempt to service, repair or replace control valve. Contact an authorized service dealer.
- Do not attempt to adjust or modify the control valve or the hydraulic system from its original settings or manufacturer in any way.

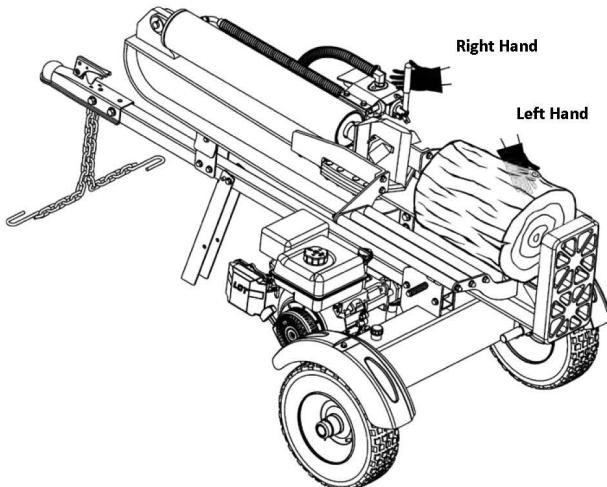
**SPLITTING THE WOOD**

1. Start the engine as instructed in the Engine Operator's manual included with the log splitter.
2. Place the log against the end plate and only split the wood in the direction of the grain.
3. To stabilize the log, place your left hand on the side of the log opposite the beam as shown.

**⚠ WARNING**

- Never place a hand on the ends of the log, between the log and the end plate or the log and the splitting wedge.
- Only one operator permitted. The adult who loads and stabilizes the log, must be the person who operates the control handle.

4. Move the control handle to the forward position to split the wood.
5. Remove left hand from the side of the log once wedge just contacts the log. Continue moving control handle forward to split the log.
6. Release the control handle to stop the wedge movement.
7. Move the control handle to the reverse position to return the wedge.



8. Remove partially split wood from wedge.
  - 1) Move the control handle to the REVERSE position until the wedge is fully retracted to allow split wood portion to contact the log dislodger.

 **WARNING**

- Never remove partially split wood from the wedge with your hands. Fingers may become trapped between the split wood.

- 2) Once removed from the wedge with the log dislodger, split the wood from the opposite end or in another location.

### OPERATION TIPS

1. Use clean fluid and check the fluid level regularly.
2. Use an approved hydraulic fluid. Approved fluids include Shell Tellus® S2 M 32 Hydraulic Fluid, Dexron® III/Mercon® automatic transmission fluid, Pro-Select™ AW-32 Hydraulic Oil or 10WAW-ISO viscosity grade 32 hydraulic oil.

- It is recommended that fluids not be mixed.

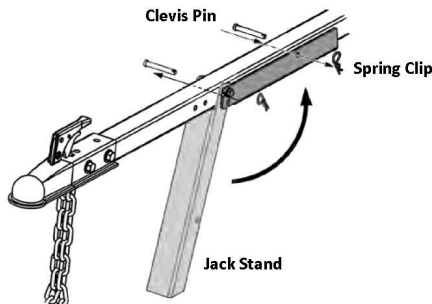
3. Use a filter (clean or replace regularly).
4. Use a breather cap on fluid reservoir.
5. Make sure the pump is mounted and aligned properly.
6. Use a flexible “spider” type coupling between the engine and pump drive shafts.
7. Keep the hoses clear and unblocked.
8. Bleed the air out of the hoses before operating.
9. Flush and clean the hydraulic system before restarting after servicing.
10. Use “pipe dope” on all hydraulic fittings.
11. Allow time for the engine to warm-up before splitting wood.
12. Prime the pump before the initial start-up by turning over the engine with the spark plug disconnected (if not already done at factory).
13. Split wood along the grain (lengthwise) only.

**NEVER**

1. Use when fluid is below 20° F or above 150° F.
2. Use a solid engine / pump coupling.
3. Operate through relief valve for more than 5 seconds.
4. Attempt to adjust the unloading or relief valve settings.
5. Operate with air in hydraulic system.
6. Use teflon tape on hydraulic fittings.
7. Attempt to cut wood across the grain.
8. Attempt to remove partially split wood from the wedge with your hands.  
Fully retract the wedge to dislodge wood with log dislodger.

**TRANSPORTING**

1. Lower the beam to its horizontal position. Make certain the beam is locked securely with the horizontal beam lock.
2. Change the jack stand to transporting position.
  - 1) Remove the spring clip and clevis pin from the jack stand.
  - 2) Support the tongue and pivot the jack stand up against the tongue.
  - 3) Secure with the spring clip and clevis pin previously removed.



3. Attach the coupler hitch to a class I or higher 2" ball on the towing vehicle latch securely.
  - 1) If the coupler hitch does not fit on the ball, turn the adjustment nut one turn counter-clockwise.
  - 2) If the coupler hitch is too loose on the ball, turn the adjustment nut one turn clockwise. Then recheck and adjust accordingly.
4. Connect the safety chains to the towing vehicle.

**⚠ WARNING**

- Do not tow faster than 45mph and check the local, state and federal requirements before towing on any public road.

- Use caution when backing up, using a spotter outside the vehicle is recommended.

## Maintenance

### WARNING

- Do not make any adjustments without first stopping the engine, disconnecting the spark plug wire and grounding it against the engine. Always wear safety glasses during operation or while performing any adjustments or repairs.

### ENGINE

Refer to the Engine Operator's manual packed with your log splitter for all engine maintenance.

- When draining oil from the engine on this log splitter, shield the hoses from any oil that may run down the frame and drip onto the hoses. Thoroughly wipe any residual oil off the log splitter and hoses after completing service.

### TIRE PRESSURE

The max recommended operating pressure is 30 PSI. Do not, under any circumstances, exceed the manufacturer's recommended psi. Maintain equal pressure on all tires.

### WARNING

- Excessive pressure when seating beads may cause the tire/rim assembly to burst with force sufficient to cause serious injury. Refer to the sidewall of the tire for the recommended pressure.

### HOSE CLAMPS

Check the clamps on the return hose before each use and check the clamps on the suction hose once a season.

### HYDRAULIC FILTER

Change the hydraulic filter every 50 hours of operation. Use only a 10 micron hydraulic spin-on filter, or buy from an authorized dealer. Order part # 51 in Exploded Diagram.

### FLEXIBLE PUMP COUPLER

The flexible pump coupler, located between the pump and the engine shaft, has a nylon "spider" insert. Over time, the insert will harden and deteriorate. If you detect vibration or noise coming from the area between the engine and the pump contact an authorized dealer. Change a new coupler immediately (refer to the pump assembly, if the coupler fails completely, you will experience a loss of hydraulic power.

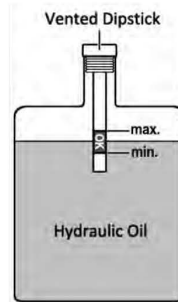
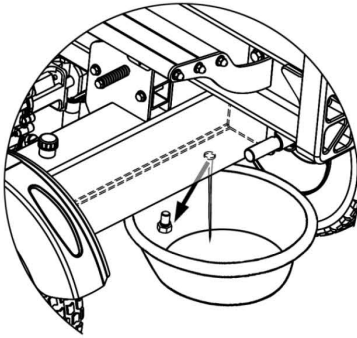
### HYDRAULIC FLUID

Check the hydraulic fluid level in the log splitter reservoir tank before each use. Maintain the fluid level within the range specified on the dipstick at all times.

Change the hydraulic fluid in the reservoir every 100 hours of operation. The filter should also be changed with each hydraulic fluid change.

Follow the steps below:

1. Place a suitable oil collection container under the tank.
2. Disconnect the oil drain screw from the bottom of the reservoir tank.
3. Allow the fluid to drain into the container.



5. After draining, screw on the oil drain screw and tighten.
6. Refill the reservoir tank.
7. Maintain the fluid level within the range specified on the dipstick at all times.

- When checking the fluid, always make sure to tighten the dipstick until the top of the threads are flush with the top of the pipe.
- Always dispose of any used hydraulic fluid and engine oil at approved recycling centers only. Contaminants in the fluid may damage the hydraulic components. Flushing the reservoir tank and hoses with kerosene whenever service is performed on the tank, hydraulic pump or valve is recommended.


### BEAM AND SPLITTING WEDGE

Lubricate top, sides and bottom of the beam and where it comes into contact with the splitting wedge with engine oil before each use.

If the wedge becomes dull or nicked, it can be sharpened.

**OFF-SEASON STORAGE**

If the log splitter will not be used for more than 30 days, prepare it for storage as follows:

 <b>WARNING</b>
<ul style="list-style-type: none"> <li>▪ Never store the machine with fuel in the fuel tank inside of building where fumes may reach an open flame or spark, or where ignition sources are present such as hot water and space heaters, furnaces, clothes dryers, stoves, electric motors, etc.</li> </ul>

1. Refer to the Engine Operator's manual packed with your log splitter for information on the off-season storage of the engine.
2. Clean the log splitter thoroughly.

<ul style="list-style-type: none"> <li>▪ The use of pressure washers or a garden hose to clean the splitter is not recommended. They may cause damage to the bearings or the engine. The use of water will result in a shortened life and reduce serviceability.</li> </ul>
---

3. Wipe the machine with an oiled rag to prevent rust, especially on the wedge and the beam.
4. Store the log splitter in a clean, dry area. Do not store it next to corrosive materials, such as fertilizer.

<ul style="list-style-type: none"> <li>▪ If storing in an unventilated or metal storage shed, be certain to rustproof the equipment by coating it with a light oil or silicone.</li> </ul>
--



### Troubleshooting

#### TROUBLESHOOTING CHART

Problem	Cause	Solution
Cylinder rod will not move	<ol style="list-style-type: none"><li>1. Broken drive shaft.</li><li>2. Shipping plugs left in hydraulic hoses.</li><li>3. Set screws in coupling not adjusted properly.</li><li>4. Loose shaft coupling.</li><li>5. Gear sections damaged.</li><li>6. Damaged relief valve.</li><li>7. Hydraulic lines blocked.</li><li>8. Incorrect oil level.</li><li>9. Damaged control valve.</li><li>10. Blocked control valve.</li></ol>	<ol style="list-style-type: none"><li>1. See authorized service dealer.</li><li>2. Disconnect hydraulic hoses, remove shipping plugs, and reconnect hoses.</li><li>3. See authorized service dealer.</li><li>4. Correct engine/pump alignment as necessary.</li><li>5. See authorized service dealer.</li><li>6. See authorized service dealer.</li><li>7. Flush and clean hydraulic system.</li><li>8. Check oil level.</li><li>9. See authorized service dealer.</li><li>10. Flush and clean hydraulic system</li></ol>
Slow cylinder shaft speed while extending and retracting	<ol style="list-style-type: none"><li>1. Gear sections damaged.</li><li>2. Excessive pump inlet vacuum.</li><li>3. Slow engine speed.</li><li>4. Damaged relief valve.</li><li>5. Incorrect oil level.</li><li>6. Contaminated oil.</li><li>7. Control valve leaking internally.</li><li>8. Internally damaged cylinder.</li></ol>	<ol style="list-style-type: none"><li>1. See authorized service dealer.</li><li>2. Make certain pump inlet hoses are clear and unblocked. use short, large diameter inlet hoses.</li><li>3. See authorized service dealer.</li><li>4. See authorized service dealer.</li><li>5. Check oil level.</li><li>6. Drain oil, clean reservoir and refill.</li><li>7. See authorized service dealer.</li><li>8. See authorized service dealer</li></ol>
Leaking Cylinder	<ol style="list-style-type: none"><li>1. Worn seals.</li><li>2. Scored cylinder.</li></ol>	<ol style="list-style-type: none"><li>1. See authorized service dealer.</li><li>2. See authorized service dealer.</li></ol>
Wood will not split or wood splits too slowly	<ol style="list-style-type: none"><li>1. Small gear section damaged.</li><li>2. Pump check valve leaking.</li><li>3. Excessive pump inlet vacuum.</li><li>4. Incorrect oil level.</li><li>5. Contaminated oil.</li><li>6. Control valve leaking internally.</li><li>7. Overloaded cylinder.</li><li>8. Internally damaged cylinder.</li></ol>	<ol style="list-style-type: none"><li>1. See authorized service dealer.</li><li>2. See authorized service dealer.</li><li>3. Make certain pump inlet hoses are clear and unblocked.</li><li>4. Check oil level.</li><li>5. Drain oil, clean reservoir and refill.</li><li>6. See authorized service dealer.</li><li>7. Do not attempt to split wood against the grain.</li><li>8. See authorized service dealer.</li></ol>
Leaking pump shaft seal	<ol style="list-style-type: none"><li>1. Broken drive shaft.</li><li>2. Engine/pump misalignment.</li><li>3. Gear sections damaged.</li><li>4. Damaged shaft seal.</li><li>5. Plugged oil breather.</li></ol>	<ol style="list-style-type: none"><li>1. See authorized service dealer.</li><li>2. Correct alignment as necessary.</li><li>3. See authorized service dealer.</li><li>4. See authorized service dealer.</li><li>5. Make certain reservoir is properly vented.</li></ol>
Wedge continues to move forward when control handle is released	<ol style="list-style-type: none"><li>1. Damaged control valve</li></ol>	<ol style="list-style-type: none"><li>1. See authorized service dealer.</li></ol>
Control handle does not return to neutral when released from forward position	<ol style="list-style-type: none"><li>1. Hydraulic fluid too cold.</li><li>2. Hydraulic fluid too thick.</li><li>3. Hydraulic fluid contaminated.</li><li>4. Damaged control valve.</li></ol>	<ol style="list-style-type: none"><li>1. Warm up engine.</li><li>2. Replace hydraulic fluid.</li><li>3. Replace hydraulic fluid.</li><li>4. See authorized service dealer.</li></ol>



## Specifications

### TECHNICAL SPECS

Model	BE-LS22TL6505GC	BE-LS28TL65065GX	BE-LS34TL6509GX
Engine	160cc HONDA GC160	196cc HONDA GX200	270cc HONDA GX270
Pump	Two-Stage, 9 gpm	Two-Stage, 11 gpm	Two-Stage, 16 gpm
Cylinder (Bore x Stroke)	4 in. x 24 in.	4.5 in. x 24 in.	5 in. x 24 in.
Maximum Splitting Force	22 Tons*	28 Tons*	34 Tons*
Hydraulic Pressure	3400 psi*	3450 psi*	3500 psi*
Maximum Log Length	25 in.	25 in.	25 in.
Wedge Height	8 in.	8 in.	8 in.
Cycle Time	Forward	8 Seconds*	8 Seconds*
	Reverse	5 Seconds*	5 Seconds*
Wheels	16 x 4.8 x 8 in.	16 x 4.8 x 8 in.	16 x 4.8 x 8 in.
Net Weight	518 lbs	551 lbs	633 lbs

\*Tonnage and cycle times may vary dependent upon mechanical and environmental conditions.



**If you need assistance with the assembly  
or operation of your Log Splitter please call**

**1-866-850-6662**

**1-866-850-6662**

**Si vous avez besoin d'assistance avec  
l'assemblage ou l'opération de ce Fenduses à  
bois, s'il vous plaît appelez le**



**Spécifications**
**SPÉCIFICATIONS TECHNIQUES**

Modèle	BE-LS22T16505GC	BE-LS28T165065GX	BE-LS34T16509GX
Moteur	160cc HONDA GC160	196cc HONDA GX200	270cc HONDA GX270
Pompe	À deux étages, 9 gpm	À deux étages, 11 gpm	À deux étages 16 gpm
Verin (alésage x Course)	4 po. x 24 po.	4,5 po. x 24 po.	5 po. x 24 po.
Force de traction maximale	22 Tonnes*	28 Tonnes*	34 Tonnes*
La pression hydraulique	3400 psi*	3450 psi*	3500 psi*
Longueur maximale du bois	25 po.	25 po.	25 po.
Hauteur de filtre en coin	8 po.	8 po.	8 po.
	Temps de cycle	8 Secondes*	8 Secondes*
marche		vers l'avant	8 Secondes*
	Roues	arrière	5 Secondes*
16 x 4,8 x 8 po.		16 x 4,8 x 8 po.	16 x 4,8 x 8 po.
Poids net	518 lbs	551 lbs	633 lbs

\*Tonnage et du cycle peut varier dépendant de conditions environnementales et mécaniques.

Problème.	Cause	Solution
La tige du vérin ne bouge pas.	1. Arbre d'entraînement cassé. 2. Les bouchons d'expédition gauche dans les flexibles hydrauliques. 3. Vis de réglage en coupleage n'est pas réglée correctement. 4. Accouplement de l'arbre d'essers. 5. Sections d'engrenage endommagé. 6. Clapet de décharge endommagé. 7. Conduites hydrauliques bouchées. 8. Niveau d'huile incorrect. 9. Soupape de commande endommagé. 10. Soupape de commande bloquée.	1. Voir fournisseur de services agréé. 2. Débrancher les flexibles hydrauliques, retirez les bouchons d'expédition, et rebranchez les flexibles. 3. Voir fournisseur de services agréé. 4. Corriger l'alignement moteur/pompe si nécessaire. 5. Voir fournisseur de services agréé. 6. Voir fournisseur de services agréé. 7. Rincer et nettoyer le circuit hydraulique. 8. Vérifier le niveau d'huile. 9. Voir fournisseur de services agréé. 10. Rincer et nettoyer le système hydraulique
Vitesse de l'arbre lent des vérins alors que l'extension et la rétraction.	1. Sections d'engrenage endommagé. 2. Aspiration d'entrée de pompe excessif. 3. Régime moteur lent. 4. Clapet de décharge endommagé. 5. Niveau d'huile incorrect. 6. L'huile contaminée. 7. Fuite interne de distributeur. 8. À l'interne le vérin endommagé.	1. Voir fournisseur de services agréé. 2. Faire certains flexibles d'entrée de la pompe sont clairs et débouqué, courts, les Durit d'entrée de grand diamètre. 3. Voir fournisseur de services agréé. 4. Vérifier le niveau d'huile. 5. Vidanger l'huile, nettoyer le réservoir et le remplir. 6. Voir fournisseur de services agréé. 7. Voir fournisseur de services agréé. 8. Voir le concessionnaire de service autorisé
Vérin qui fuit.	1. Joints usés. 2. À marqué le vérin.	1. Voir fournisseur de services agréé. 2. Voir fournisseur de services agréé.
Le bois ne divise pas ou bois divise trop lentement.	1. Petit pignon la section endommagée. 2. Fuite du clapet antiretour de la pompe. 3. Aspiration d'entrée de pompe excessif. 4. Niveau d'huile incorrect. 5. L'huile contaminée. 6. Fuite interne de distributeur. 7. Vérin surchargés. 8. À l'interne le vérin endommagé.	1. Voir fournisseur de services agréé. 2. Voir fournisseur de services agréé. 3. Faire certains flexibles d'entrée de la pompe sont clairs et débouqué. 4. Vérifier le niveau d'huile. 5. Vidanger l'huile, nettoyer le réservoir et le remplir. 6. Voir fournisseur de services agréé. 7. Ne pas tenter de fendre du bois contre le grain. 8. Voir fournisseur de services agréé.
Fuite du joint de l'arbre de la pompe.	1. Arbre d'entraînement cassé. 2. Moteur/mauvais alignement de la pompe. 3. Sections d'engrenage endommagé. 4. Joint d'arbre endommagé. 5. Rempillard d'huile bouché.	1. Voir fournisseur de services agréé. 2. Corriger l'alignement si nécessaire. 3. Voir fournisseur de services agréé. 4. Voir fournisseur de services agréé. 5. Faire certains réservoir est correctement ventilé.
Wedge continue d'aller de l'avant quand le levier de commande est relâché.	1. Distributeur endommagés	1. Voir fournisseur de services agréé.
Poignée de commande ne revient pas au neutre lorsqu'il est relâché de la position de marche avant.	1. Le liquide hydraulique est trop froid. 2. Le liquide hydraulique est trop épais. 3. Le liquide hydraulique contaminé. 4. Soupape de commande endommagé.	1. Réchauffer le moteur. 2. Remplacez le liquide hydraulique. 3. Remplacez le liquide hydraulique. 4. Voir fournisseur de services agréé.

## TABLEAU DE DÉPANNAGE

### Dépannage

- Si elle est remise dans un hangar de stockage métallique ou non ventilé, être certain de l'équipement par revêtement invincible avec une huile légère ou de la silicone.

3. Essuyer l'appareil avec un chiffon huile pour éviter la rouille, en particulier sur le filtre en coin et le faisceau.
4. Stocker la fenduse dans une zone propre et sèche. Ne le rangez pas en regard des matières corrosives, telles que les engrais.

- l'utilisation de rondelles de pression ou d'un boyau d'arrosage pour nettoyer le séparateur n'est pas recommandé. Ils peuvent causer des dégâts sur les roulements ou le moteur. L'utilisation de l'eau entraînera une vie raccourcie et réduire la facilité de maintenance.

1. Se reporter au livret d'entretien du moteur emballées avec votre fenduses à bois pour plus d'informations sur le stockage hors saison du moteur.
2. Nettoyer la fenduse soigneusement.

- Never store the machine with fuel in the fuel tank inside of building where fumes may reach an open flame or spark, or where ignition sources are present such as hot water and space heaters, furnaces, clothes dryers, stoves, electric motors, etc.

### AVERTISSEMENT

Si la fenduse ne sera pas utilisée pendant plus de 30 jours, pour la préparer pour le stockage comme suit :

### REMISAGE EN FIN DE SAISON

ENTRETIEN

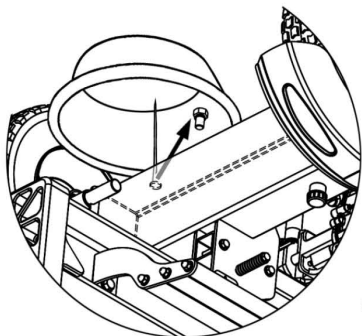


Lubrifier dessus, côtés et en bas de la poutre et où elle entre en contact avec l'un coin à fendre avec de l'huile moteur avant chaque utilisation. Si le filtre en coin devient terre ou égratigné, il peut être aiguisés. If the wedge becomes dull or nicked, it can be sharpened.

## FAISCEAU ET UN COIN À FENDRE

- Lors de la vérification du liquide, toujours s'assurer de serrer la jauge d'huile jusqu'à ce que le dessus des filetages soient au ras du haut du tuyau.
- Toujours se débarrasser de tout le fluide hydraulique et l'huile moteur au niveau des centres de recyclage agréée seulement. Contaminants dans le liquide risque d'endommager les composants hydrauliques. Le ringage du réservoir et les flexibles avec du kérosène lorsque l'entretien est effectué sur le réservoir, pompe hydraulique ou un distributeur n'est recommandé.

5. Après avoir vidangé l'huile, visser la vis de vidange et la serrer.
6. Remplir le réservoir.
7. Maintenir le niveau de liquide dans la plage spécifiée sur la jauge en tout temps.



3. Laisser le liquide s'écouler dans le récipient.
2. Débrancher la vis de vidange d'huile de la partie inférieure de son réservoir.
1. Placer un conteneur de collecte d'huile adéquate sous le changement de liquide hydraulique. Suivez les étapes ci-dessous :  
Remplacement du fluide hydraulique dans le réservoir toutes les 100 heures de fonctionnement. Le filtre doit également être changé à chaque spécifié sur la jauge en tout temps.  
avant chaque utilisation. Maintenir le niveau de liquide dans la plage vérifier le niveau de liquide hydraulique dans le réservoir séparateur bois

## LE LIQUIDE HYDRAULIQUE

l'expérience d'une perte de puissance hydraulique. l'ensemble de la pompe, si le coupleur échoue complètement, vous ferez agréer. Modifier un nouvel accouplement immédiatement (consulter la zone entre le moteur et la pompe, contacter un concessionnaire et se détériorer. Si vous détectez de vibration ou de bruit venant de moteur, à un nylon "spider" insérer. Au fil du temps, l'insertion se durcit le flexible de raccord de pompe, situé entre la pompe et l'arbre du

### FLEXIBLE COUPLEUR DE LA POMPE

# 51 en diagramme éclaté. draulique, ou acheter chez un concessionnaire agréé. Commande pièce- tionnement. Utiliser uniquement un filtre de 10 microns filtre vissable hy- Changer le filtre à huile hydraulique toutes les 50 heures de fonc-

### FILTRE HYDRAULIQUE

Vérifier les colliers sur le flexible de retour avant chaque utilisation et véri- fier les colliers sur la durit d'aspiration une fois par saison.

### COLLIERS DE FLEXIBLE

- Une pression excessive peut causer des pertes en installant le pneu/ jante d'éclater avec force suffisante pour provoquer des blessures graves. Reportez-vous à la paroi latérale du pneu pour la pression préconisée.

### AVERTISSEMENT

La pression de fonctionnement maximale recommandée est de 30 PSI. Ne jamais, en aucune circonstance, dépasser le fabricant de psi. Maintenir une pression égale sur tous les pneus.

### LA PRESSION DES PNEUS

- Lors de la vidange de l'huile du moteur sur CetteFenduses à bois, protéger les flexibles venant de l'huile qui peut couler le châssis et goutte à goutte sur les flexibles. Essuyer soigneusement toute huile résiduelle off La fenduse et flexibles une fois l'entretien terminé.

Se reporter au livret d'entretien du moteur emballées avec votreFend- uses à bois pour tous d'entretien du moteur.

### MOTEUR

- Ne pas faire tous les ajustements sans d'abord arrêter le moteur, en débranchant le fil de bougie d'allumage et de mise à la masse par rapport à la motorisation. Toujours porter des lunettes de sécurité pendant le fonctionnement ou pendant l'exécution de tout réglage ou réparation.

### AVERTISSEMENT

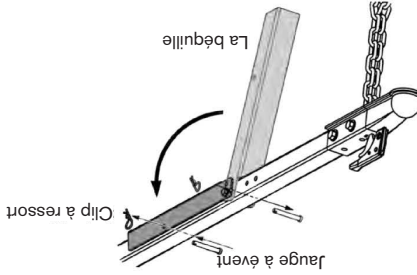
## Entretien

- Faites preuve de prudence lors de la sauvegarde, à l'aide d'un observateur à l'extérieur du véhicule est recommandé.

- Ne pas remorquer à plus de 45km/h et vérifier le local, étatique et exigences fédérales avant le remorquage sur une route publique.

## AVERTISSEMENT

4. Brancher les chaînes de sécurité au véhicule de remorquage. conséquence.  
de réglage d'un tour dans le sens horaire. Puis reverifier et ajuster en  
(2) Si le coupleur est trop lâche d'attelage sur la bille, tourner l'écran  
réglage d'un tour dans le sens antihoraire.  
(1) Si le coupleur ne s'adapte pas d'attelage sur la bille, tourner l'écran de  
véhicule de remorquage bloquer fermement.
3. Fixer l'attelage à accouplement à une classe 1 ou supérieure 2 bille sur le



1. Abaisser le faisceau à sa position horizontale. S'assurer que le faisceau est correctement bloqué avec la poutre horizontale verrouiller.  
2. Modifier la chandelle à transporter position.  
3. Retirer le collier à ressort et l'axe de chape de la chandelle.  
4. soutenir le timon et faire pivoter la béquille vers le haut contre le timon.  
5. Fixer avec l'attache-ressort et l'axe de chape préalablement retiré.

## LE TRANSPORT

1. Utilisation lorsque le liquide est en dessous de 20 °F ou au-dessus de 150° F.
2. Utiliser un accouplement de pompe/moteur solide.
3. Fonctionner à travers le clapet de décharge pendant plus de 5 secondes.
4. Essayez de régler les paramètres de clapet de décharge ou de déchargement.
5. Faire fonctionner avec de l'air dans le circuit hydraulique.
6. Utiliser de la bande TEFELON sur tous les raccords hydrauliques.
7. Tentative de couper du bois dans l'ensemble du grain.
8. Tenter de déposer partiellement bois depuis le split cale avec vos mains. Rétractez complètement le filtre en coin à déloger le bois avec dislodger Bois.

JAMAIS

3. Utiliser un filtre (nettoyer ou remplacer régulièrement).
4. Utiliser un bouchon de reniflard sur le réservoir de fluide.
5. Assurez-vous que la pompe est montée et correctement alignée.
6. Utiliser un flexible Accouplement de type "spider" entre le moteur et les arbres d'entraînement de la pompe.
7. Conserver les flexibles clair et débloqué.
8. Purger l'air des flexibles avant le fonctionnement.
9. Rincer et nettoyer le système hydraulique avant de redémarrer après l'entretien.
10. Utiliser "tuyau shift" sur tous les raccords hydrauliques.
11. Laisser le moteur de vous échauffer avant de fendre le bois.
12. Amorçage de la pompe avant le démarrage initial en tournant le moteur avec la bougie débranchée (si pas déjà fait à l'usine).
13. Fendez le bois le long du grain (longitudinalement) uniquement.

▪ Il est recommandé que les liquides pas être mélange.

- hydraulique.
- d'huile hydraulique 10WAW-grade de viscosité ISO 32 de l'huile liquide de transmission automatique, Pro-Select™ AW-32 ou Shell Tellus® S2 M 32 Liquide Hydraulique, Dexron® III/MERCON®
1. Utiliser un liquide propre et vérifier régulièrement le niveau de liquide.
  2. Utiliser un fluide hydraulique approuvés. Liquides approuvés incluent:
- 2) Une fois retirés de la cale avec le bois dislodger, fendre le bois provenant de l'extrémité opposée ou dans un autre emplacement.

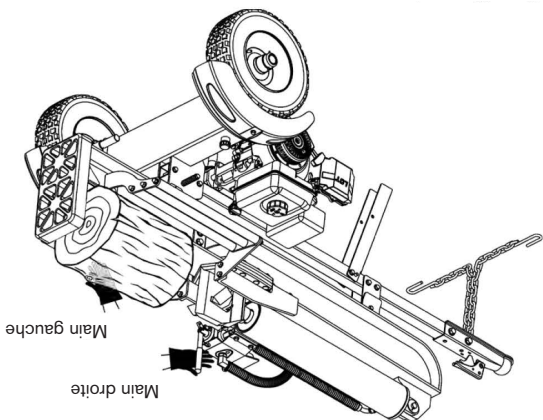
### CONSEILS DE FONCTIONNEMENT

▪ Ne jamais retirer partiellement bois fendu de la cale avec vos mains. Les doigts peuvent se coincer entre les bois fendu.

### AVERTISSEMENT

8. Déposer partiellement bois fendu de la cale.
- 1) Déplacer la poignée de commande sur la position de marche arrière jusqu'à ce que le filtre en coin est complètement rétracté pour permettre à bois fendu partie dislodger pour contacter le bois.





4. Déplacer la poignée de commande en position de marche avant pour fendre le bois.
5. Dépose de la partie latérale gauche du bois une fois wedge entre juste en contact avec le bois. Continuer à déplacer vers l'avant de la poignée de commande pour fractionner le bois.
6. Relâcher le levier de commande pour arrêter le mouvement du filtre en coin.
7. Déplacer la poignée de commande sur la position de marche arrière pour revenir le filtre en coin.

- Ne jamais mettre la main sur les extrémités du bois, entre le bois et la plaque d'extrémité ou le bois et le un coin à fendre.
- un seul opérateur autorisé. L'adulte qui charge et stabilise le bois, doit être la personne qui exploite de la poignée de commande.

### AVERTISSEMENT

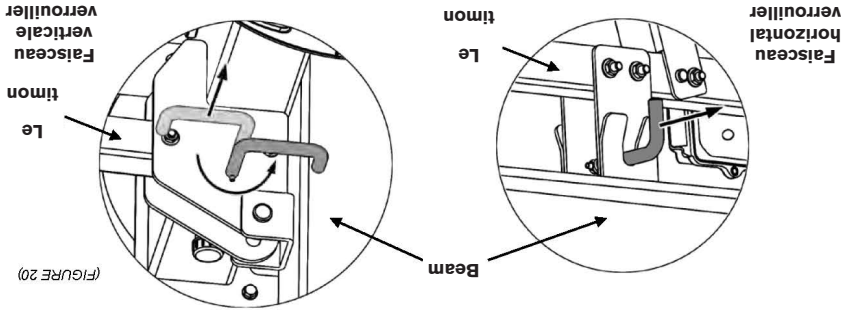
1. Démarrer le moteur comme indiqué dans le livret d'entretien du moteur inclus avec la fenduse.
2. Placer le bois contre la plaque d'extrémité et seulement fendre le bois dans le sens du grain.
3. Pour stabiliser le bois, placez votre main gauche sur le côté du bois en face le faisceau comme illustre.

### FENDRE LE BOIS

- Si la poignée de commande sur votre Fenduses à bois ne fonctionne pas correctement, arrêtez immédiatement d'utiliser l'appareil et contactez un fournisseur de services agréé.
- N'essayez pas de réparer, réparer ou remplacer le distributeur. Contacter un concessionnaire agréé.
- Ne pas tenter d'adapter ou de modifier le distributeur ou le système hydraulique de ses paramètres d'origine ou le fabricant de toute façon.

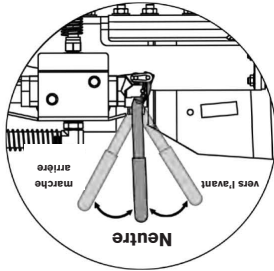
### AVERTISSEMENT

5. Placer le faisceau dans la position horizontale, procédez comme suit :
  1. Tirez le faisceau vertical de lock-out et le faire pivoter vers le bas.
  2. Faire pivoter le faisceau à la position horizontale.
  3. La poutre horizontale de verrouillage est auto-bloquant. Le verrou à ressort s'enclenche lorsque le faisceau est abaissé en position.



### A LAIDE DE POIGNÉE DE COMMANDE

La poignée de commande a trois positions.



**Avant** : pour fendre du bois. Déplacer la poignée de commande en position de marche avant pour déplacer chariot vers le bois à Split.

- La poignée de commande doit revenir en position neutre dès que le levier est relâché (position marche avant uniquement), et le filtre en coin s'arrête de bouger vers l'avant.

**Neutre**: de la cale de blocage. Relâcher le levier de commande ou déplacer le levier à la position neutre pour arrêter le mouvement du filtre en coin. **Inverser** : pour retourner le filtre en coin. Déplacer la poignée de commande sur la position de **MARCHE ARRIÈRE**, le filtre en coin retourne automatiquement vers le vérin. Lorsque le filtre en coin est complètement rétracté, la poignée de commande retourne automatiquement à la position neutre. Ne pas maintenir le levier en position de marche arrière lorsqu'elle est entièrement rétractée.

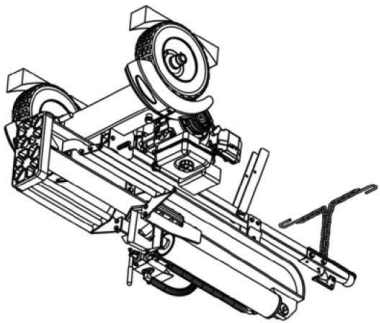
## Fonctionnement

### À PARTIR DE & L'ARRÊT DU MOTEUR

Se reporter au livret d'entretien du moteur emballées avec votreFenduses à bois pour obtenir des instructions sur le démarrage et l'arrêt du moteur.

### POSITIONS DE FONCTIONNEMENT

1. Placez la fenduse sur plate, sèche, masse solide.
2. Calez l'avant et l'arrière des deux roues.



3. Placer le faisceau dans l'une ou l'autre de l'horizontale ou à la verticale et le verrouiller en place.

### AVERTISSEMENT

- Prenez des précautions supplémentaires en montée et descente de l'âge comme il est assez lourd. Avoir l'aide d'une deuxième personne avec soulevant ou abaissant le faisceau est recommandé; Veillez à garder les mains à l'écart des points à risque de pincement éventuelles.

4. Placer le faisceau dans la position verticale, procédez comme suit :

### AVERTISSEMENT

- Utilisez toujours la fenduse en position verticale lors du fractionnement de lourdes billes.

- 1) Tirez le faisceau horizontal de lock-out pour libérer le faisceau et pivoter le faisceau à la position verticale.
- 2) pour verrouiller le faisceau dans la position verticale, tirez le faisceau vertical de blocage et faites-le pivoter pour fixer le faisceau.

La plaque d'extrémité détient le bois en place tandis que le filtre en coin fractionne le bois.

### LA PLAQUE D'EXTRÉMITÉ

La langue est utilisée pour fixer à un véhicule de remorquage pour les transports.

### LE TIMON

Le bois le bac est conçu pour récupérer le bois après il est fractionné.

### LOG BAC

The log dislodger est conçu afin de supprimer les éléments partiellement bois fendu du filtre en coin. Cela peut se produire pendant le fractionnement de grand diamètre ou du bois Le bois fraîchement coupé.

### LOG DISLODGER

le filtre en coin est utilisée pour fendre le bois.

### UN COIN À FENDRE

La poignée de commande a trois positions; marche avant, neutre et marche arrière. Voir le chapitre Utilisation pour plus d'instructions.

### POIGNÉE DE COMMANDE

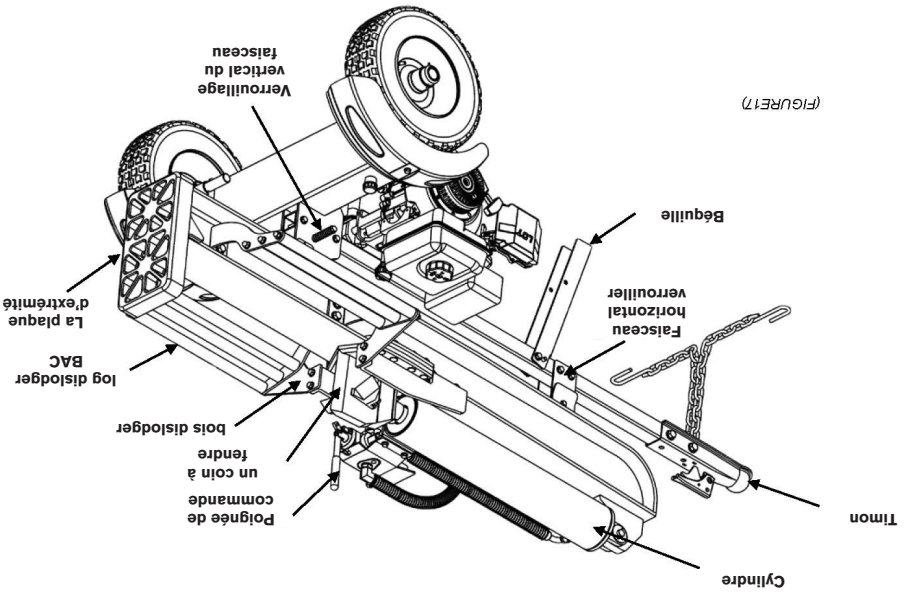
ces deux verrous, comme leur nom l'indique, sont utilisés pour fixer le faisceau dans la position horizontale ou Position verticale. Le verrouillage vertical du faisceau est situé près du moteur. La poutre horizontale de verrouillage est situé sur la poutre du support du loquet..

### VERROUILLAGES DE GLISSIÈRE

Voir le livret d'entretien du moteur pour l'emplacement et la fonction des commandes sur le moteur.

### COMMANDES DU MOTEUR

- Ce livret d'entretien couvre plusieurs modèles. Fenduse les fonctions peuvent varier selon le modèle. Toutes les fonctionnalités ne sont pas dans ce manuel sont applicables à tous les modèles et l'fenduse fenduse représenté peuvent différer de la vôtre.



(FIGURE 17)

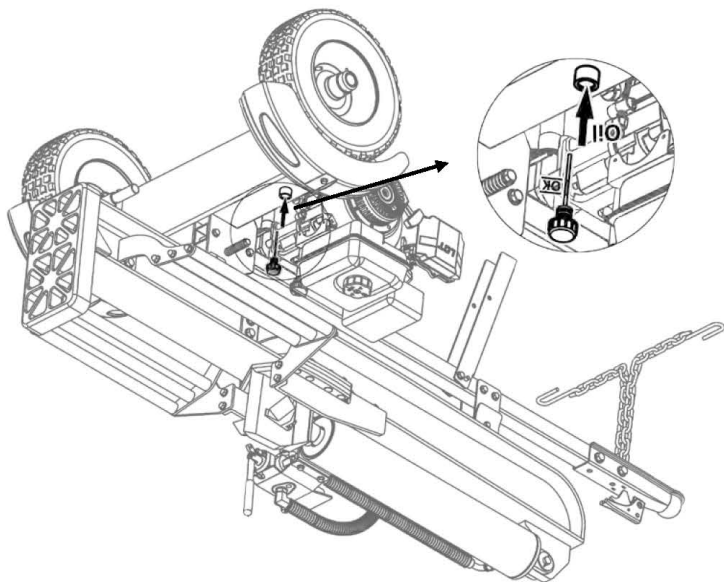
## FNCTIONS ET COMMANDES

- Une partie du liquide risque de déborder du bouchon-évent comme le système construit la chaleur et le liquide se détend et vise un niveau équilibré

- 8) Étendre et rétracter le filtre en coin 1 2 cycles complets pour éliminer l'air emprisonné dans le système (le système est "auto-purge").
- 9) Remplir le réservoir dans la plage indiquée sur la jauge de niveau d'huile si nécessaire.

- L'omission de remplir le réservoir annulera la garantie du doubleur de gamme.

- 3) Remplacer la jauge à évent de manière sécurisée, serrant jusqu'à ce que le haut des filetages sort de niveau avec le haut du tuyau.
- 4) Débrancher la bougie d'allumage et l'armorage de la pompe en tirant le démarreur manuel aussi loin que possible. Répétez environ 10 fois.
- 5) Rebrancher le fil de bougie d'allumage et démarrer le moteur en suivant les instructions dans le livret d'entretien du moteur.
- 6) Utiliser la poignée de commande pour engager le filtre en coin dans la position d'extension de commande pour éloigner le plus possible. Puis rétracter le filtre en coin.
- 7) Remplissez le réservoir comme indiqué sur la jauge de niveau d'huile si nécessaire.



2) Vérifier le niveau de liquide à l'aide de la jauge.

■ Une grande partie de l'original de liquide a été aspiré dans le vérin et les flexibles. Veillez à remplir le réservoir afin d'éviter d'endommager la pompe hydraulique. Ne pas trop remplir.

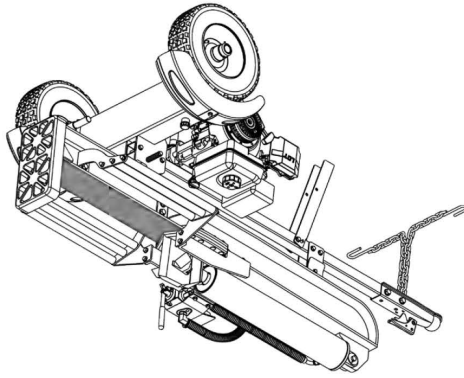
### ⚠ AVERTISSEMENT

3. Toutefois, vous devez vérifier le niveau de liquide avant de chaque exploitation. Si elles ne sont pas remplies, procéder avec les étapes suivantes :

1) Déposer la jauge du réservoir à évent, qui est situé à l'avant du moteur sur le dessus de son réservoir.

■ La fendeuse est livrée sans huile hydraulique dans le réservoir. Utiliser de l'huile hydraulique votre concessionnaire fournit, ou acheter de l'huile hydraulique recommandée ci-dessous.

■ liquides approuvés incluent Shell Tellus® S2 M 32 Liquide hydraulique, Dexron® III / MERCON® liquide de transmission automatique, Pro-Select™ AW-32 ou d'huile hydraulique 10WAW- grade de viscosité ISO 32 de l'huile hydraulique. Il n'est pas recommandé que les fluides sont mitigés, et pour couronner le réservoir pendant la configuration initiale utilisez Shell Tellus® S2 M 32 Fluide hydraulique uniquement.



1. Graisser la zone de la traverse (où l'un coin à fendre glissera) avec de l'huile moteur. Ne pas utiliser de graisse.
2. Remplissage d'huile hydraulique avant votre première utilisation.

### PRÉPARER LA FENDEUSE

- Une pression excessive peut causer des pertes lorsque le portage d'étanchéité pneu/jante d'éclater avec force suffisante pour provoquer des blessures graves.

### ⚠ AVERTISSEMENT

la pression de fonctionnement maximale recommandée est de 30 psi. En aucun cas, ne peut dépasser le fabricant de psi. Maintenir une pression égale sur tous les pneus.

### LA PRESSION DES PNEUS

- Votre fendeuses à bois est expédiée avec de l'huile moteur dans le moteur. Vous devez vérifier le niveau d'huile avant d'utiliser. Veillez à ne pas trop remplir. L'essence peut être ajoutée au moteur lorsque la fendeuse est soit dans la position horizontale ou verticale. Toutefois, il peut être plus facile quand le séparateur est en position verticale.

- User d'extrême prudence lors de la manipulation de l'essence. L'essence est un produit extrêmement inflammable et les vapeurs sont explosifs. Ne jamais allumer la machine à l'intérieur ou lorsque le moteur est chaud ou en marche.

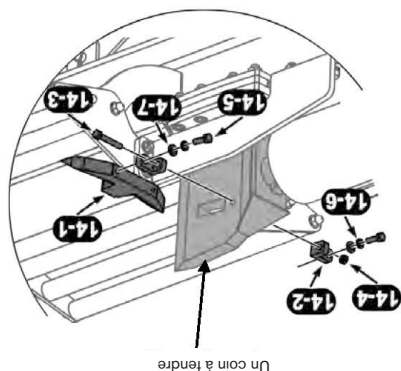
### ⚠ AVERTISSEMENT

Service de remplissage d'huile moteur avec de l'essence et l'huile, selon les instructions dans le manuel de moteur emballées avec votre fendeuses à bois. Lire attentivement les instructions.

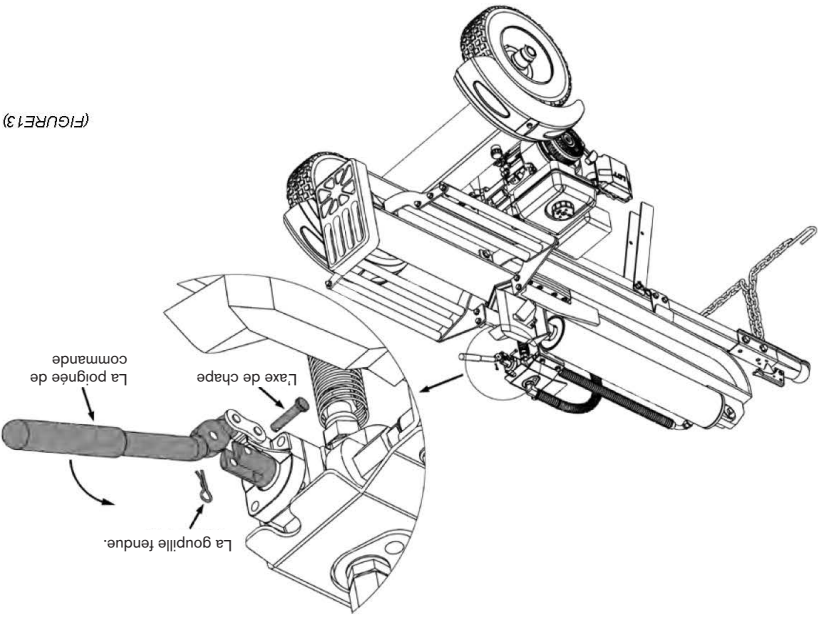
### GAZ ET PÉTROLE REMPLISSAGE

### Configurere

REF #	DESCRIPTION	QTÉ
14	Croix package d'assemblage du filtre en coin (non illustré), y compris	1
14-1	la croix	1
14-2	en forme de coin L'appui	2
14-3	vis à tête hexagonale M8 x 55 et	1
14-4	écrou de blocage /	1
14-5	vis à tête hexagonale M8 / M8 x 25	2
14-6	rondelle ressort / M8	2
14-7	Rondelle plate /M8	2



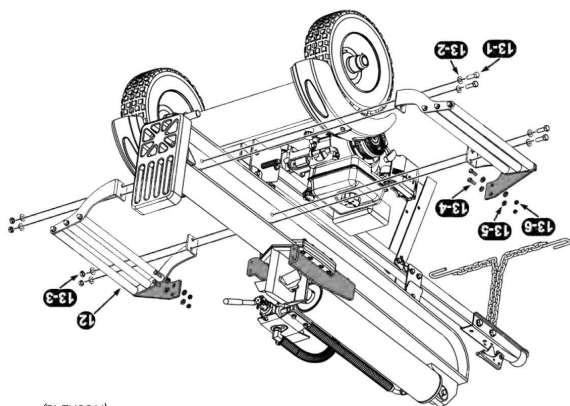
- ETAPE 10 :** Si votre bois séparateur ne pas inclure une croix Wedge, tandis que vous achetez séparément, veuillez vous référer aux instructions suivantes pour assembler la cale transversale.
1. Insérer la cale transversale pour le trou rectangulaire sur la un coin à fendre.
  2. Alignez les trous de la cale transversale, un coin à fendre et le L-Shape, puis sécuriser le support matériel inclus dans le paquet de filtre en coin transversal.



(FIGURE 13)

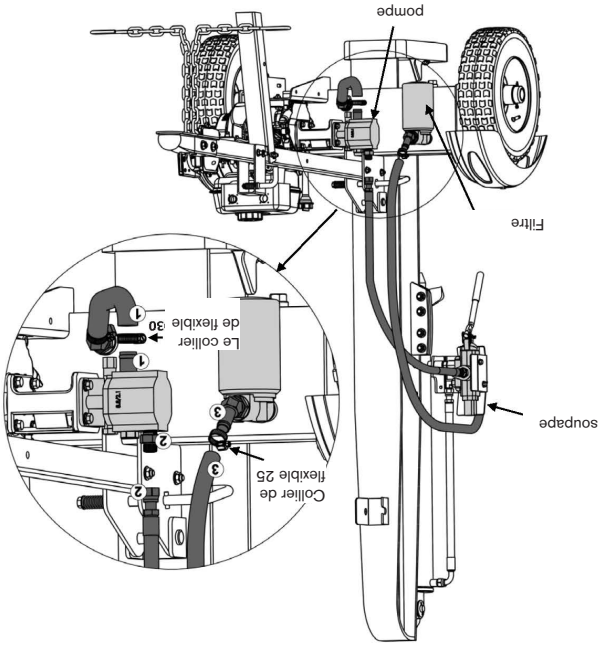
- ETAPE 9 :** Monter la poignée de commande. La poignée de commande est expédiée la pendaison de la valve sur la poignée link.
1. Déposer l'axe de chape et la goupille fendue Bow tie de la poignée de commande.
  2. Faire tourner la poignée de commande en position de fonctionnement et le fixer avec l'axe de chape et la goupille fendue Bow tie retirés à l'étape ci-dessus.

REF #	DESCRIPTION	QTÉ
12	Bois & dislodger	2
13	Kit matériel de montage #6 (non illustré) y compris:	1
13-1	boulon à tête hexagonale M12 x 45 et	4
13-2	la rondelle plate et	8
13-3	l'écrou de blocage M12 /	4
13-4	boulon à tête hexagonale M12 / M10 x 35,	4
13-5	rondelle plate M10	8
13-6	écrou de blocage M10	4



(FIGURE 12)

- ETAPE 7 :** Connecter les extrémités ouvertes des flexibles hydrauliques à raccords correspondants. Il y a trois flexibles hydrauliques énumérés ci-dessous, chacun d'eux a une extrémité fixe sur le lien partie assemblée au champ du fabricant, de l'autre extrémité ouverte doit vous permettre d'y rattacher. Pour vue claire des flexibles hydrauliques, les ressorts de protection de flexible ne sont pas affichées dans l'illustration.
1. Flexible d'aspiration d'huile / Ø25 x 310 mm, étiquetés de 1, provient de la citerne. Desserrer le collier de flexible / Ø30 sur l'extrémité ouverte du flexible, puis brancher le flexible sur le raccord, sur la partie inférieure de la pompe, qui est libellée d'une même 1. Serrer le collier de flexible.
  2. Pompe/Soupape flexible de liaison / Ø19 x 900mm, étiquetés de 2, provient du bas de la soupape. Visser l'extrémité ouverte du flexible sur le raccord situé sur le dessus de la pompe, qui est libellée d'une même 2.
  3. Flexible de retour d'huile / Ø19 x 1500mm, étiqueté comme 3, vient d'en haut de la soupape. Desserrer le collier de flexible / Ø25 sur l'extrémité ouverte du flexible, puis brancher le flexible sur le raccord sur le filtre, qui est libellée d'une même 3. Serrer le collier de flexible.



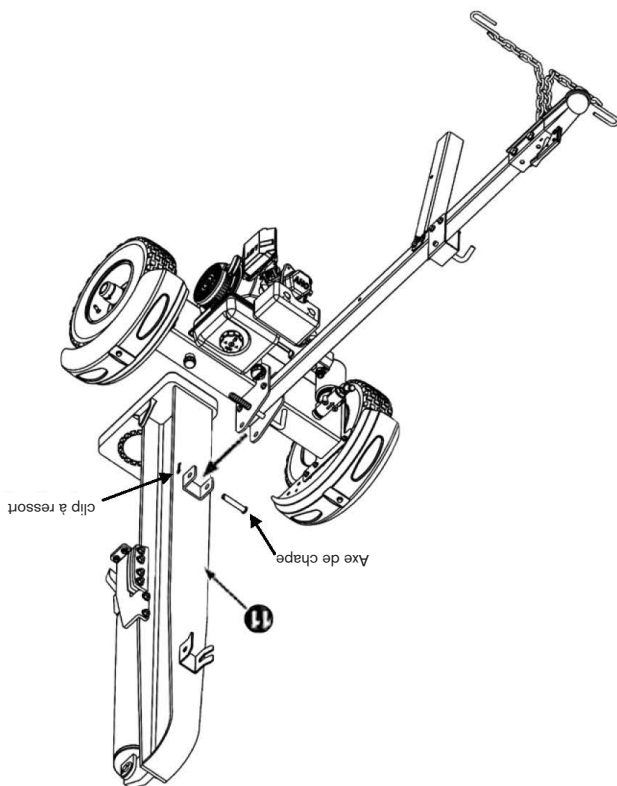
**ETAPE 7 : Connecter les extrémités ouvertes des flexibles hydrauliques à raccords correspondants.** Il y a trois flexibles hydrauliques énumérés ci-dessous, chacun d'eux a une extrémité fixée sur le lien partie assemblée au champ du fabricant, de l'autre extrémité ouverte doit vous permettre d'y rattacher. Pour une vue claire des flexibles hydrauliques, les ressorts de protection de flexible ne sont pas affichés dans l'illustration ci-dessous.

1. Flexible d'aspiration d'huile / Ø25 x 310 mm, étiquetés de 1, provient de la citerne. Desserrez le collier de flexible / Ø30 sur l'extrémité ouverte du flexible, puis branchez le flexible sur le raccord, sur la partie inférieure de la pompe, qui est libellée d'une même 1. Serrez le collier de flexible.
2. Pompe/Soupape flexible de liaison / Ø19 x 900mm, étiquetés de 2, provient du bas de la soupape. Vissez l'extrémité ouverte du flexible sur le raccord situé sur le dessus de la pompe, qui est libellée d'une même 2.
3. Flexible de retour d'huile / Ø19 x 1500mm, étiqueté comme 3, vient d'en haut de la soupape. Desserrez le collier de flexible / Ø25 sur l'extrémité ouverte du flexible, puis branchez le flexible sur le raccord sur le filtre, qui est libellée d'une même 3. Serrez le collier de flexible.

• Prenez des précautions supplémentaires en montée et descente de l'age comme il est assez lourd. Avoir l'aide d'une deuxième personne avec soulevant ou abaissant le faisceau est recommandé. Veillez à garder les mains à l'écart des points à risque de pincement éventuelles.

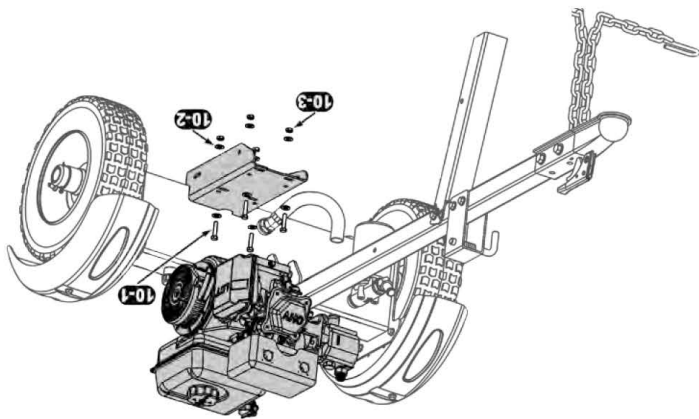
### ⚠ AVERTISSEMENT

REF #	DESCRIPTION	QTE
11	Beam assembly	1



**ETAPE 6 :** monter le faisceau.  
 1. Stand le faisceau jusqu'à la fin. Deux personnes ou plus peut être nécessaire pour cette étape pour assurer la sécurité. Assurez-vous que le faisceau est stable et sur une surface plane.  
 2. Déposer l'axe de chape et la goupille élastique de supports du réservoir. Faites rouler la langue/ Ensemble du réservoir en position entre les deux languettes sur le faisceau. Faites glisser l'axe de chape à travers les trous alignés et verrouiller en place avec le collier à ressort.

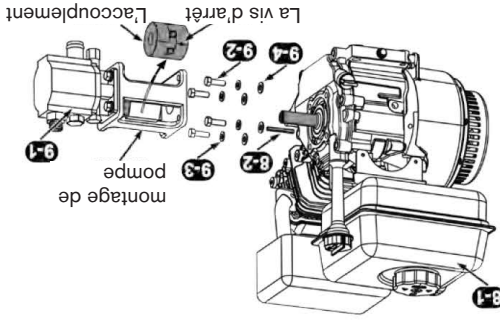
REF #	DESCRIPTION	QTE
10	Kit matériel #5 (non illustré) y compris :	1
10-1	boulon à tête hexagonale M8 x 40 et	4
10-2	la rondelle plate et	8
10-3	l'écrou de blocage M8 / M8	4



**ETAPE 5 :** fixez le moteur sur la plaque de montage du moteur sur le réservoir.

REF #	DESCRIPTION	QTÉ
8	Ensemble moteur (dans compartiment moteur, non illustré) y compris :	1
8-1	le moteur	1
8-2	Clavette d'arbre du moteur	1
9	Kit matériel #4 (non illustré), y compris :	1
9-1	Ensemble pompe à deux étapes le	1
9-2	boulon à tête hexagonale /	4
9-3	Rondelle élastique 5/16-24 / 5/16	4
9-4	Rondelle plate / 5/16	4

21

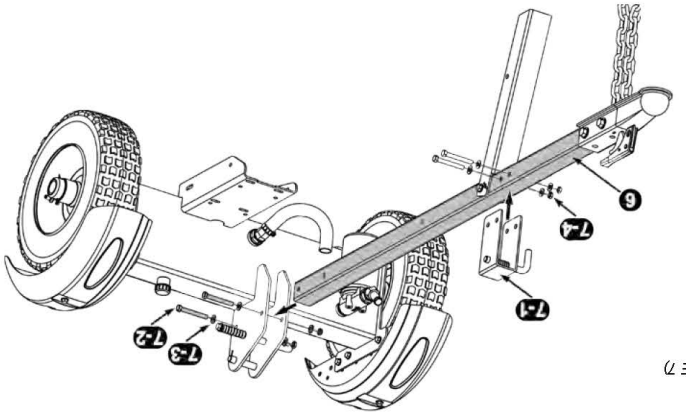


- ETAPE 4:** Assemblage de la pompe pour le moteur.
- Desserrer la vis de réglage sur le coupleur côté moteur.
  - Mettre en place le moteur côté de l'arbre dans le logement de l'arbre du moteur.
  - Insérer l'arbre du moteur dans l'orifice central du raccord, pivotant la pompe assemblée pour assurer l'arbre de moteur côté de montage dans la fente du coupleur du trou central. Serrez ensuite la vis de réglage juste desserrée.
  - Faites pivoter l'arbre du moteur pour aligner les trous de fixation sur les deux support de pompe et le moteur, et assurer l'ouverture du support de la pompe vers le bas, comme indiqué dans l'illustration ci-dessous, puis le visser sur le matériel de fixation et serrez.

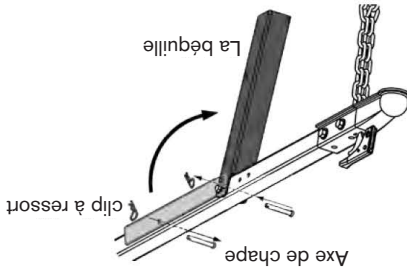
REF #	DESCRIPTION	QTÉ
6	Le timon	1
7	Kit matériel de montage de béquille #3 (non illustré) y compris :	1
7-1	faisceau horizontal verrouiller	1
7-2	le boulon à tête hexagonale M10 x 80 et	4
7-3	la rondelle plate et	8
7-4	l'érou de blocage M10 / M10	4



ASSEMBLÉE



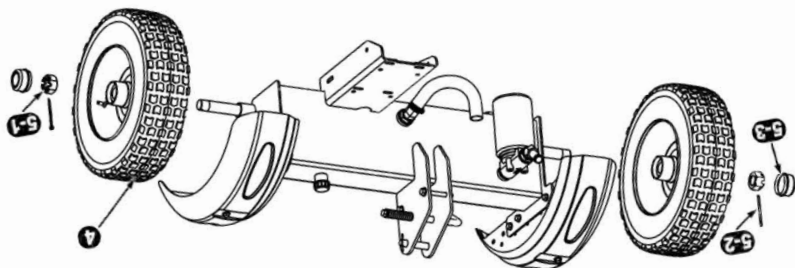
2. Attacher le faisceau horizontal butée à la maternelle, puis fixer le timon à l'ensemble du réservoir.



1. Retirer le collier à ressort (Ø3) et l'axe de chape (Ø6 x 50) de la béquille sur le timon, puis faites pivoter la béquille en position avec l'axe de chape et le clip que vous venez de retirer.

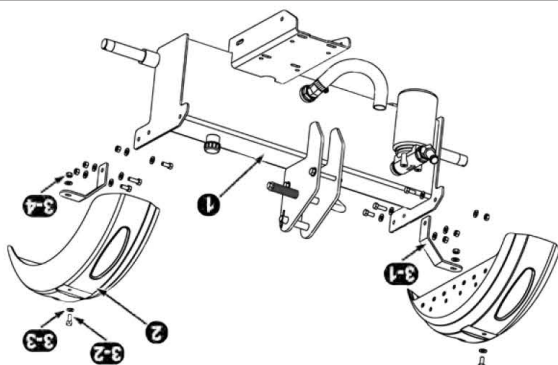
**ÉTAPE 3 :** Fixer le timon et jack ensemble statif au réservoir assemblée.

REF #	DESCRIPTION	QTÉ
4	Pneu et roue Road-Speed	2
5	Kit matériel #2 (non illustré) y compris :	1
5-1	l'érou crénelé / 1-14	2
5-2	GOUPILE FENDUE / Ø4 x 35	2
5-3	Chapeau de moyeu	2



**ETAPE 2 :** Fixer les deux roues à l'ensemble de réservoir de fusées de roue.

REF #	DESCRIPTION	QTE
1	Réservoir assemblée	1
2	L'aile	2
3	Kit de matériel d'aile #1 (non illustré) y compris le:	1
3-1	Support D'aile	2
3-2	Boulon à tête hexagonale / M8 x 25	8
3-3	Rondelle plate / M8	16
3-4	L'érou de blocage / M8	8



**ETAPE 1 :** monter les ailes à l'ensemble du réservoir.

- En raison du poids / taille de laFenduses à bois, il est recommandé que deux adultes ou plus est présent pour aider avec l'assemblage.

## ASSEMBLAGE

ASSEMBLÉE



- Ne pas jeter les emballages jusqu'à ce que vous ayez soigneusement inspectés et exploités de façon satisfaisante l'outil.

**ÉTAPE 4 :** Utilisez une barre-levier ou marteau fendu pour retirer la fixation du faisceau de contreplaqué écharde et ensembles de réservoir bas sur la caisse. Retirer les deux assemblées.

**ÉTAPE 5 :** inspection de tous les composants, pièces et accessoires en fonction de la liste de collage jointe à ce manuel. Assurez-vous que tous les éléments répertoriés dans la liste d'emballage sont inclus, et d'aucun dégât pendant l'expédition. Si des pièces sont endommagées ou manquantes, veuillez appeler le revendeur de service agréé pour obtenir de l'aide.

- Ne pas enlever la sangle fixant les flexibles hydrauliques assemblées à la poutre à ce moment, jusqu'à ce que vous ne la procédez d'assemblage des flexibles.

**ÉTAPE 2 :** Retirez toutes les pièces amovibles inclus dans le conteneur, p. ex. le manuel de l'opérateur, roues, matériel et compartiment moteur.

**ÉTAPE 3 :** Utilisez des ciseaux ou un couteau pour couper et enlever les sangles fixant les pièces à la poutre ou Ensemble de réservoir, y compris les ailes, timon, bac bois &AMP; assemblages dislodger bois, puis mettre de côté ces pièces pour l'assemblage.

**AVERTISSEMENT**

▪ Faire preuve d'extrême prudence déballage de cette machine. Certains composants sont très lourds et exigera d'autres personnes ou de l'équipement de maintenance mécanique.

▪ Toutes les références dans ce manuel à gauche ou à droite et avant ou arrière de la fenduse sont de la position de fonctionnement uniquement. Des exceptions, le cas échéant, seront précisées.

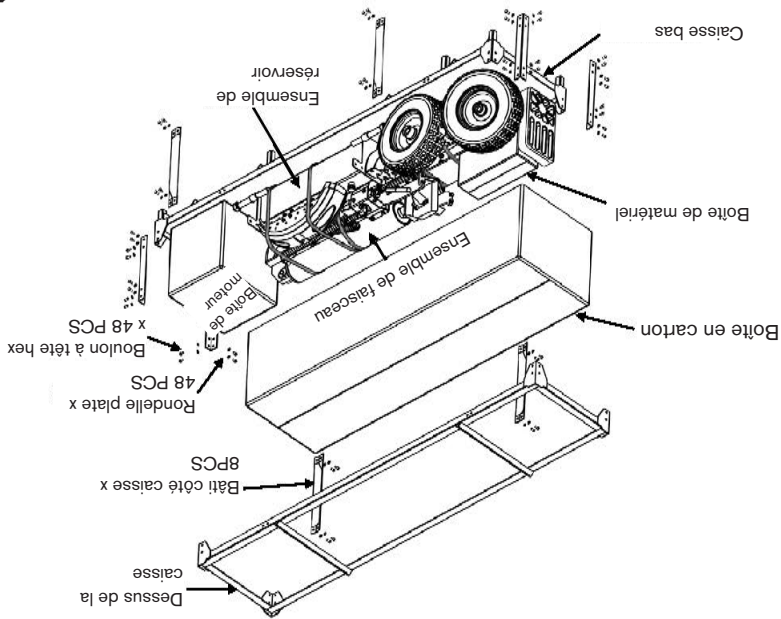
Outils de décompression nécessaires :

1. Clé 14mm

2. Des ciseaux ou un couteau

3. Pied-de-biche ou un marteau à panne fendue

**ÉTAPE 1 :** Utiliser une clé plate de 14 mm, retirer toutes les vis et les rondelles sur la caisse en métal, mettre de côté l'emballage haut et cadres latéraux, puis déposer la boîte en carton.




10. Toujours utiliser des chaînes de sécurité lors du remorquage de votreFenduses à bois.
11. Être très prudent lors du remorquage sur terrain accidenté, surtout des voies ferrées, et évitez les virages serrés et les angles abrupts lors du remorquage de votreFenduses à bois.
12. Ne jamais essayer de déplacer la machine sur un terrain accidenté ou vallonné sans un véhicule de remorquage ou une aide appropriée.
13. Déconnectez toujours votre fenduse à partir du véhicule tracteur avant de l'utiliser.
14. Vérifiez toujours toutes les réglementations locales et nationales concernant le remorquage, octroi de licences, et les lumières avant de remorquer votreFenduses à bois. Cette machine ne doit pas être remorqué sur toute rue, route ou de la voie publique sans contrôle de l'actuel régime fédéral, étatique ou locale Exigences du véhicule. Un système de licences ou des modifications telles que feux arrière, etc., nécessaires pour se conformer, est de la seule responsabilité de l'acheteur. Si une "déclaration d'origine" est nécessaire dans votre état, reportez-vous à votre concessionnaire local.
15. Voir Transport La fenduse la section de ce manuel pour les instructions de remorquage approprié une fois que tous les gouvernements fédéral, locaux ou les exigences de l'état sont remplies.



1. Ne jamais transporter une cargaison ou bois sur votreFenduses à bois.
2. Ne jamais permettre à quiconque de s'asseoir ou ride sur votreFenduses à bois.
3. Toujours tourner la vanne d'arrêt de carburant sur le moteur à la position "ARRET" avant de procéder au remorquage de laFenduses à bois. L'omission de le faire peut résulter en inonder le moteur.
4. Toujours confirmer l'étaanchéité du coupleur à chaque fois avant de remorquage et après le remorquage de 50 miles.
5. Toujours vérifier avant de procéder au remorquage de s'assurer que la fenduse est correctement et fermement attachée à la véhicule de remorquage et que les chaînes de sécurité sont fixés à l'attelage ou du bouclier du véhicule avec suffisamment de mou pour permettre de tourner. Toujours utiliser une classe 1, 2 " ball avec cetteFenduses à bois.
6. Ne jamais dépasser la capacité en poids de balle ou les limites de charge du raccord. Toujours remplacer la bille ou un coupleur si endommagé.
7. Ne jamais dépasser 45 km/h lors du remorquage de votreFenduses à bois. Remorquage de la fenduse à une vitesse supérieure à 45 mph peut entraîner une perte de contrôle, endommager l'équipement ou des blessures graves ou la mort. Régler la vitesse de remorquage pour des reliefs et des conditions.
8. Toujours faire attention lors de la sauvegarde avec votreFenduses à bois en remorque. Il pourrait jactkknite.
9. Toujours autoriser pour augmenter la longueur de votre fenduse lors d'un virage, parking, et traversant les intersections et dans toutes les conditions de conduite.

## SÉCURITÉ DU REMORQUAGE

 <b>AVERTISSEMENT</b>	<p>PARÉ-ÉTINCELLES</p> <p>CetteFenduses à bois est équipé d'un moteur à combustion interne et ne doit pas être utilisé sur ou près d'une forêt non améliorées, couvertes de broussailles ou couvertes de terre couverte de graminées à moins que le système d'échappement du moteur est équipé d'un pare-étincelles réunion ou locales applicables les lois d'Etat (le cas échéant). Si un pare-étincelles est utilisé, il devrait être maintenu en ordre de travail efficace par l'opérateur. Dans l'état de Californie, un pare-étincelles est exigé par la loi. D'autres Etats ont adopté des lois semblables. Les lois fédérales s'appliquent sur les terres fédérales. Un silencieux pare-étincelles est facultatif et disponible comme accessoire à votre concessionnaire de moteur le plus proche. Vérifiez toujours les exigences légales dans votre région.</p>
---	--

15. Si le moteur est équipé d'un silencieux pare-étincelles, le nettoyer et l'inspecter régulièrement conformément aux instructions du fabricant. La remplacer si elle est endommagée.



1. Prenez toujours un extincteur de classe B avec vous lors d'un fonctionnement CetteFenduses à bois dans les zones sèches.
2. Ne jamais faire fonctionner votre fenduse à proximité d'une flamme ou d'étincelles ou de fumée pendant le fonctionnement. Éteindre toutes les cigarettes, les cigares, les pipes, et d'autres sources d'ignition. L'huile hydraulique et de l'essence sont inflammables et peuvent exploser.
3. Pour éviter les blessures ou les dommages à la propriété Utilisez un soin extrême dans la manutention de l'essence. L'essence est un produit extrêmement inflammable et les vapeurs sont explosifs.
4. Toujours stocker l'essence dans un récipient hermétique, approuvé, et tenir loin des appareils de chauffage. Conserver le récipient dans un endroit frais et sec.
5. Lorsque l'essence s'est déversé sur vous-même ou vos vêtements qui peuvent s'enflammer, laver la peau immédiatement et changer de vêtements.
6. Ne jamais faire le plein du réservoir de gaz lorsque le moteur est chaud ou en marche. Laissez refroidir le moteur avant le ravitaillage en carburant.
7. Seulement ravitailler votreFenduses à bois dans une zone dégagée avec aucun des émanations de gaz ou gaz renversé. Jamais à l'intérieur de la machine de carburant.
8. Ne jamais trop remplir le réservoir de carburant. Remplir le réservoir à pas plus de 1/2 de pouce sous le bas de la goulotte de remplissage à carburant de fournir l'espace pour l'expansion.
9. Si l'essence est débordé, essuyez-le moteur et l'équipement et déplacer la machine vers une autre zone. Patientez cinq (5) minutes avant de démarrer le moteur.
10. Remplacer systématiquement le bouchon à essence solidement. Ne jamais déposer la casquette du gaz alors que le moteur est chaud ou en marche.
11. Pour éviter les incendies, éliminer les débris et les menues pailles provenant du moteur et zones de silencieux.
12. Laisser la machine refroidir pendant au moins dix (10) minutes avant de le ranger.
13. Toujours vidanger le réservoir de carburant avant le stockage pour éviter le risque d'incendie.
14. Ne jamais stocker la machine ou le récipient de carburant à l'intérieur ou il y a une flamme nue ou d'étincelle, veilleuse comme sur un chauffe-eau, appareils de chauffage, sèche linge ou d'autres appareils au gaz.

## LA PRÉVENTION DES INCENDIES

- Modifier JAMAIS votre fenduse de toute manière. De telles altérations peuvent la cause de votre fenduse à être dangereux et annulera la garantie.
- Selon la Consumer Products Safety Commission (CPSC) et l'Environmental Protection Agency (EPA), ce produit a une durée de vie moyenne de sept (7) ans, ou 130 heures de opération. À la fin de la durée de vie moyenne que la machine inspecté annuellement par un distributeur autorisé de service pour assurer que tous les systèmes mécaniques et de sécurité fonctionnent correctement et pas usés excessivement. Ne pas le faire peut entraîner des accidents, des blessures ou la mort.

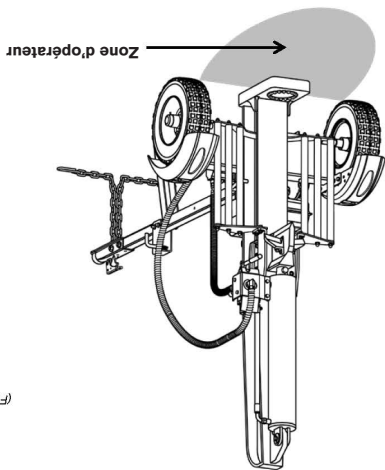
### AVERTISSEMENT

## SÉCURITÉ DE MAINTENANCE

1. Arrêter le moteur, débrancher la bougie d'allumage et de la terre contre la machine. NE JAMAIS effectuer tout service ou de réparation sur votre fenderuse sans d'abord retirer le susciteur fil de la bougie.
2. Arrêter le moteur et soulager la pression du système hydraulique par le vélo levier de commande de la vanne d'avant en arrière à plusieurs reprises pendant que le moteur ne fonctionne pas; retournant au neutre avant de réparer ou ajuster les raccords, tuyaux, tubes, ou d'autres composants du système.
3. Toujours effectuer toutes les procédures d'entretien recommandées avant en utilisant votre fenderuse à bois.
4. Toujours vérifier le niveau d'huile hydraulique et l'huile de moteur avant opération.
5. TOUJOURS vérifier régulièrement que tous les écrous, boulons, vis, hydraulique raccords et colliers de serrage sont serrés pour être sûr que l'équipement est en sécurité Condition de travail.
6. Toujours remplacer les pièces usées ou endommagées immédiatement avec l'original (O.E.M.) les pièces du fabricant de matériel seulement. L'utilisation de pièces qui ne pas conformes aux spécifications d'équipement d'origine peuvent conduire à une mauvaise la performance et la sécurité de compromis.
7. Le système hydraulique de votre fenderuse à bois nécessite une inspection minutieuse ainsi que les pièces mécaniques. Veillez à remplacer effiloché, entortillé, fissuré ou endommagé des tuyaux hydrauliques ou hydrauliques composants.
8. Vérifiez JAMAIS des fuites de fluide hydraulique avec votre main. Fluide échapper à partir d'un petit trou peut être presque invisible. Echapper fluide sous pression peut avoir suffisamment de force pour pénétrer la peau causant BLESSURES GRAVES ou même la mort. Les fuites peuvent être détectées en toute sécurité par passant un morceau de carton sur la fuite suspectée et la recherche de décoloration.
9. NE JAMAIS retirer le bouchon du réservoir hydraulique ou réservoir tandis que le diviseur est en cours d'exécution. Le réservoir peut contenir de l'huile chaude sous pression ce qui pourrait entraîner des blessures graves.
10. Ne jamais régler la valve hydraulique. La soupape de décharge de pression sur votre fenderuse à bois est réglée en usine. Seul un technicien qualifié devrait effectuer ce réglage.
11. Toujours consulter un médecin immédiatement si blessé par une fuite de liquide hydraulique. Une infection ou une réaction grave peut se développer si un traitement médical approprié est pas administré immédiatement.
12. Assurez-vous toujours pour soulager toute pression en coupant le moteur et en déplaçant la poignée de commande de soupape d'avant en arrière, il devrait devenir nécessaire pour desserrer ou retirer tout raccord hydraulique.

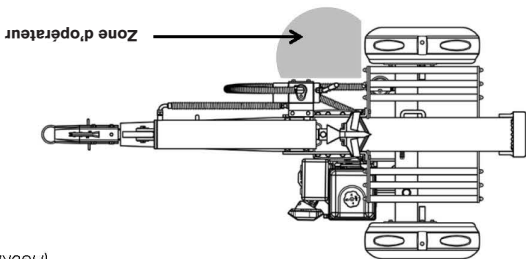


SÉCURITÉ



(FIGURE 2)

**Position verticale de fonctionnement:** Tenez-vous devant la fenduse et stabiliser bois comme indiqué.



(FIGURE 1)

**Horizontal Position de fonctionnement:** Tenez-vous sur le côté du levier de contrôle de la fenduse à bois et stabiliser bois comme indiqué.

- Ne fonctionnent que la fenduse de la zone de l'opérateur comme indiqué dans le diagramme. L'opérateur dispose de l'accès le plus sûr et le plus efficace au soupape de commande et du faisceau à cet endroit. Tout manquement d'exploiter le bois séparateur dans cette position peut entraîner des blessures graves ou la mort.

### AVERTISSEMENT


### ZONE DE L'OPÉRATEUR

11. NE JAMAIS placer les mains ou les pieds entre le bois et la plaque d'extrémité ou au sol cours avant ou arrière course car cela pourrait entraîner des blessures graves ou la mort. NE JAMAIS essayer de charger la fenduse lorsque la RAM ou fenduse garde les doigts loin de toutes les fissures qui ouvrent dans le bois tandis que le fractionnement. Ils peuvent fermer rapidement et de pincer ou de sectionner doigts.
13. Gardez votre espace de travail propre. Retirer immédiatement bois fendu autour la machine de sorte que vous ne trebûche pas sur elle.
14. Ne jamais chevaucher ou enjamber la fenduse pendant le fonctionnement.
15. jamais atteindre ou se pencher sur la fenduse de ramasser un bois.
16. essai de ne jamais séparer deux journaux sur le dessus de l'autre. NE JAMAIS tenter de traverser diviser un bois.
17. Ne faites jamais fonctionner la Fenduses à bois quand il est en mauvaise mécanique condition ou dans le besoin de réparation.
18. Ne jamais toucher le silencieux et d'autres zones chaudes du moteur pendant opération. Attendre que le moteur refroidisse.
19. Ne jamais toucher au moteur de fonctionner à des vitesses excessives. La vitesse maximale du moteur est prééglé par le fabricant et se trouve limites de sécurité. Reportez-vous au manuel du propriétaire du moteur pour votre particulier fenduse à bois.
20. Ne jamais déplacer la fenduse alors que le moteur est en marche. Arrêter le moteur si vous quittez la fenduse, même pour une courte période de temps.
21. Toujours être prudent lors du déplacement ou de la levée de la fenduse. Obtenir l'assistance si elle se sent trop lourd à déplacer par vous-même.



1. Avant de commencer cette machine, consulter les instructions de sécurité dans le manuel. Ne pas respecter ces règles peut entraîner des blessures graves à la opérateur ou des tiers.
2. Ne laissez jamais cette machine sans surveillance avec le moteur en marche.
3. Ne pas utiliser la machine sous l'influence d'alcool, de médicaments, ou de médicaments.
4. Ne JAMAIS laisser personne de faire fonctionner cette machine sans bon instruction.
5. TOUJOURS cette machine avec tous les équipements de sécurité en place et de travailler. Assurez-vous que toutes les commandes fonctionnent correctement pour assurer la sécurité opération.
6. Lors du chargement d'un bois, placez toujours vos mains sur le côté du bois, pas sur les extrémités, et ne jamais utiliser votre pied pour aider à stabiliser un bois. Echéec de le faire, peut entraîner des doigts écrasés ou amputés, les mains, ou pied.
7. Ne JAMAIS utiliser votre pied, une corde ou tout autre dispositif d'extension pour faire fonctionner le levier de commande sur la vanne. Utilisez uniquement la main.
8. Utilisez uniquement de votre main droite pour actionner les commandes. ATTENTION! Quand stabiliser connecter avec la main gauche, retirez votre main lorsque le coin juste contacts le bois ou des blessures graves peuvent se produire.
9. Pour les journaux qui ne sont pas coupée à angle droit, la fin des moindres carrés du bois doit être placé vers le faisceau et le coin, et le bout carré placé en direction de la plaque d'extrémité.
10. Lors du fractionnement en position verticale, de stabiliser le bois avant de déménager la poignée de commande. Répartit comme suit:
  - a. Placez la bûche sur la plaque et tournez jusqu'à ce qu'il se penche sur la poutre et est stable.
  - b. Lors du fractionnement journaux extra-large ou irréguliers, le bois doit être stabilisée avec des cales en bois ou bois fendu

## Sécurité de fonctionnement

 <b>AVERTISSEMENT</b>
<ul style="list-style-type: none"> <li>▪ L'utilisation de tout outil électrique peut entraîner des objets étrangers étant projetés dans les yeux, ce qui peut entraîner de graves lésions oculaires. Avant l'utilisation d'outils motorisés, toujours porter des lunettes de sécurité ou des lunettes avec écrans latéraux et, au besoin, porter un masque facial intégral et des bouchons d'oreilles. Nous recommandons un masque large de sécurité Vision pour l'utilisation lunettes plus ou des lunettes de sécurité avec écrans latéraux. Toujours utiliser des lunettes de protection qui est marqué de se conformer à la norme ANSI Z87.1.</li> </ul>

- PRÉPARATION SÉCURITÉ**
1. Avant d'utiliser cet fendeur à bois, assurez-vous que vous portez la sécurité engins tels que des lunettes ou des lunettes de sécurité à embout d'acier, des chausssures et étanche) des gants de montage (sans revers en vrac ou dessiner des chaînes). Toujours porter un dispositif de protection auditive lors de l'utilisation de cette fendeur à bois.
  2. **NE JAMAIS** porter de vêtements ni de bijoux qui peuvent être pris en déplaçant parties de la fendeur. Gardez les vêtements et les cheveux loin de tout déplacement pièces lors de l'utilisation de cette fendeur à bois.
  3. Vérifiez que tous les gardes de sécurité et des boucliers pour être sûr qu'ils sont dans la bonne la position. Ne faites jamais fonctionner avec des gardes de sécurité, des boucliers, ou autre protection les fonctionnalités supprimées.
  4. Assurez-vous que la machine est sur une surface plane, sèche, la terre ferme avant d'utiliser.
  5. Faites toujours fonctionner votre fendeur à bois dans une zone ouverte. (Gaz d'échappement contient du monoxyde de carbone qui peut être mortel en cas d'inhalation.)
  6. Faites toujours fonctionner votre fendeur à jour ou à la bonne artificielle lumière.
  7. Faites toujours fonctionner votre fendeur à bois sur un terrain plat. (Fonctionnement sur un pente pourrait causer la fendeur à bûches ou rouler sur le point de tomber.)
  8. Toujours bloquer les roues pour éviter tout mouvement involontaire. Toujours verrouiller faisceau soit dans la position horizontale ou verticale.
  10. **TOUJOURS** garder la zone de travail propre. Retirer bois fendu autour de la fendeur immédiatement afin que vous ne tombez pas sur elle.
  11. Vérifiez tous les écrous, boulons et raccords hydrauliques sont serrés pour être sûr que la l'équipement est dans une condition de travail sécuritaire.
  12. Les deux extrémités du tronc doivent être coupés aussi carrée que possible pour aider empêcher le bois de monter sur le séparateur pendant le fonctionnement. Ne pas fendre des bûches de plus de 25 pouces de longueur. Trumes irrégulières (par exemple nous, courbe, etc.) ne devrait pas être utilisé.
  13. Toujours vérifier le niveau d'huile avant de démarer la fendeur. Ne pas laisser la familiarité avec l'outil faire oublier la prudence. Appelez-vous qu'une fraction de seconde d'inattention suffit pour entraîner des blessures graves

• N'utilisez jamais cette fendeuses à bois pour toute fin autre que fendre le bois. Il est conçu pour cet usage uniquement. Toute autre utilisation peut provoquer des blessures graves ou la mort.

**AVERTISSEMENT**



1. Lire, comprendre et suivre toutes les instructions sur la machine et dans le manuel (s) avant de tenter d'assembler et à utiliser. Garde ça manuel dans un endroit sûr pour référence future et régulière et pour commander les pièces détachées.
2. Se familiariser avec toutes les commandes et leur bon fonctionnement. Savoir comment arrêter la machine et désengager rapidement.
3. Ne laissez jamais les enfants de moins de 18 ans à utiliser la machine. Les enfants de 16 ans et plus doivent lire et comprendre les instructions et les pratiques d'exploitation sécuritaires dans ce manuel et sur la machine et être formés et supervisés par un adulte.
4. Ne jamais permettre aux adultes de faire fonctionner cette machine sans instruction appropriée.
5. De nombreux accidents se produisent lorsque plus d'une personne exploite la machine. Aucune aide est autorisée pour aider à remplir les journaux.
6. Garder les badauds, enfants et animaux domestiques, au moins 25 pieds de la machine pendant qu'il est en fonctionnement.
7. Ne laissez jamais personne monter sur cette machine.
8. Ne jamais transporter une cargaison sur cette machine.
9. Fenduses hydrauliques développent hautes pressions de fluide pendant le fonctionnement. Les fuites de liquides à travers une ouverture de trou d'épingle peut pénétrer votre peau et causer un empoisonnement du sang, la gangrène, ou la mort. Accorder une attention à la en suivant les instructions à tout moment:
- A. Ne pas vérifier les fuites avec la main.
- B. Ne pas faire fonctionner la machine avec effiloché, déformé, fissuré ou endommagé tuyaux, raccords, ou le tube.
- C. Arrêter le moteur et soulager la pression du système hydraulique par le vélo levier de commande de la vanne d'avant en arrière à plusieurs reprises pendant que le moteur ne fonctionne pas; retournant au neutre avant de réparer ou de réglage raccords, tuyaux, tubes, ou d'autres composants du système.
- D. Ne pas ajuster les réglages de pression de la pompe ou valve. Les fuites peuvent être détectées en faisant passer en carton ou en bois, tout en portant des gants de protection et des lunettes de sécurité, plus de la zone suspecte. Regardez pour la décoloration de carton ou de bois.
11. Si blessure par une fuite, consultez immédiatement un médecin. Sériouse infection ou une réaction peuvent se développer si un traitement médical approprié est pas administré immédiatement.
12. Gardez la zone de l'opérateur et la zone adjacente clair pour sûr, sécuritaire pied.
13. Si votre machine est équipée d'un moteur à combustion interne et est destinés à être utilisés à proximité d'une forêt en friche, broussailles ou d'herbe couverte la terre, l'échappement du moteur doit être équipé d'un pare-étincelles. Assurez-vous que vous conformez aux réglementations locales, étatiques et fédérales codes. Prenez matériel d'incendie approprié avec vous.

## LA SÉCURITÉ DE LA FORMATION

SÉCURITÉ



Conservez ces instructions

Règles de sécurités



Voici le symbole d'alerte de sécurité. Il est utilisé pour vous prévenir de risques potentiels de blessure corporelle.  
Observer toutes les consignes de sécurité suivant ce symbole afin d'éviter des blessures éventuels ou la mort.

Le symbole d'alerte de sécurité (▲) est utilisé avec un mot d'alerte (Danger, Avertissement, Attention), une illustration et/ou un message de sécurité pour vous avertir de danger.

**DANGER** indique un risque entraînant de grave blessure voir la mort s'il n'est pas évité.

**ATTENTION** indique un risque pouvant entraîner de grave blessure voir la mort s'il n'est pas évité.

**AVERTISSEMENT** indique un risque qui pourrait entraîner des blessures mineures à moyennes s'il n'est pas évité.

**AVIS** indique une situation qui pourrait résulter des bris matériels.  
Veuillez suivre les messages de sécurités afin d'éviter ou de réduire les dangers potentielles de blessure ou de mort.

Symboles de danger et leurs significations

<p>CHUTE</p>	<p>INJECTION DE LIQUIDE</p>	<p>PIÈCES À ROTATION</p>	<p>LIRE LE MANUEL</p>
<p>CONTRECROUP</p>	<p>SURFACE CHAUD</p>	<p>PORTER DES LUNETTES DE PROTECTION</p>	<p>SOL GLISSANT</p>
<p>EXPLOSION</p>	<p>INCENDIES</p>	<p>ELECTROCUTION</p>	<p>VAPEURS TOXIQUE</p>

## Réception Et Inspection

Avant de signer le reçu de livraison, inspecter les dommages et les pièces manquantes. En cas de dommages ou de pièces manquantes sont apparents, faire la notation appropriée sur le reçu de livraison, puis signer le reçu. Contactez immédiatement le support pour une inspection. Tout le matériel doit être maintenu dans la réception emplacement pour l'inspection du transporteur. Les accusés de réception qui ont été signés sans une notation de dommage ou de pièces manquantes sont considérées être livrés réclamations ultérieures "clair", sont alors considérés être caché demandes d'indemnisation. Régler les réclamations de dommages directement avec le compagnie de transport. Si vous constatez des dommages après avoir reçu le compresseur d'air (caché dommages), le transporteur doit être notifiée dans les 15 jours de la réception et un l'inspection doit être demandé par téléphone avec confirmation par écrit. Sur réclamations pour dommages cachés, le fardeau d'établir que le compresseur a été endommagé pendant le transport revient au demandeur. Lire la plaque signalétique du compresseur pour vérifier qu'il est le modèle commandé, et lire la plaque signalétique du moteur pour vérifier qu'il est compatible avec votre électrique conditions. Assurez-vous que les enceintes et les composants électriques sont appropriée.



### Enregistrement du numéro d'identification

#### Fendusesse à bois

Si vous devez contacter un distributeur autorisé ou la ligne de service aux consommateurs (1-866-850-6662) pour informations ou services, toujours fournir le numéro de modèle du produit et les numéros d'identification.

Vous devrez trouver le numéro de modèle et le numéro de série pour la machine et l'inscrire à l'endroit fourni ici-bas.

#### Date d'achat:

#### Nom du distributeur:

#### Numéro de téléphone du distributeur:

#### Numéros d'identification du produit

#### Numéro de modèle :

#### Numéro de série :



Attention: Lisez le manuel d'instruction en entier avant l'utilisation initiale de votre génératrice.



## Mode d'emploi du manuel d'utilisation

Nous vous remercions de l'achat d'un BEFendeuses à bois. Votre machine est conçue pour la longue vie, la fiabilité et la performance supérieure que vous exigez! S'il vous plaît prendre le temps maintenant de lire ce manuel afin de mieux comprendre le exploitation, d'entretien et de sécurité les précautions de la machine.

Tout le monde qui fonctionne cette machine doit lire et comprendre ce manuel. Le temps que vous prenez aujourd'hui permettra de prolonger la vie de votre machine et vous préparer pour son fonctionnement en toute sécurité. Profitez de la performance exceptionnelle de BE votreFendeuses à bois, le leader de l'industrie!

Le fabricant se réserve le droit d'apporter des améliorations dans la conception et / ou des changements dans les spécifications à tout moment sans encourir aucune obligation de les installer sur les unités déjà vendues.

<b>43</b>	Liste des pièces
<b>42</b>	diagramme Schéma
<b>41</b>	Spécifications Caractéristiques techniques
<b>40</b>	Dépannage Tableau de dépannage
<b>39</b>	D'entreposage hors saison
<b>38</b>	Beam et Wedge Fractionnement
<b>38</b>	Fluide hydraulique
<b>37</b>	Dixible Pompe Coupler
<b>37</b>	Filter hydraulique
<b>37</b>	Colliers de serrage
<b>37</b>	Pression des pneus
<b>37</b>	Engine
	<b>Entretien</b>
<b>36</b>	Transport
<b>35</b>	Conseils d'utilisation
<b>34</b>	Fendre le bois

<b>Introduction</b>	4	Utiliser le manuel de l'opérateur
<b>Identification du Produit</b>	5	Numéros Identification de l'enregistrement
	6	Réception et l'inspection sécurité
<b>Sécurité</b>	7	Consignes de sécurité
	7	Symboles de danger et significations
	8	Sécurité Formation
	9	Sécurité Preoperation
	10	Sécurité d'exploitation
	12	Zone de l'opérateur
	13	Entretien Sécurité
	14	Prévention des incendies
	15	Sécurité de remorquage Assemblée
<b>Assemblée</b>	17	Déballage
	19	Assemblage
<b>Installer</b>	28	Gaz et pétrole Fill-Up
	28	Pression des pneus
	28	Réparation de laFenduseses à bois
	30	Fonctions et commandes
<b>Opération</b>	32	Démarrage et arrêt du moteur
	32	Positions de fonctionnement
	33	En utilisant la poignée de commande



# HONDA FENDEUSES À BOIS

Guide de l'utilisateur

BE-LS22TL6505GO  
BE-LS28TL65065GX  
BE-LS34TL6509GX



**AVERTISSEMENT**



Ce produit contient du plomb, un produit chimique reconnu par l'état de la Californie comme pouvant causer le cancer, des malformations congénitales ou d'autres problèmes de reproduction. **Lavez-vous les mains après avoir manipulé ce produit.**

**AVERTISSEMENT**



Les gaz d'échappement de ce produit contiennent des produits chimiques reconnus par l'état de la Californie comme pouvant causer le cancer, des malformations congénitales ou d'autres problèmes de reproduction.

**AVERTISSEMENT**



Ce produit contient des produits chimiques reconnus par l'état de la Californie comme pouvant causer le cancer, des malformations congénitales ou d'autres problèmes de reproduction.