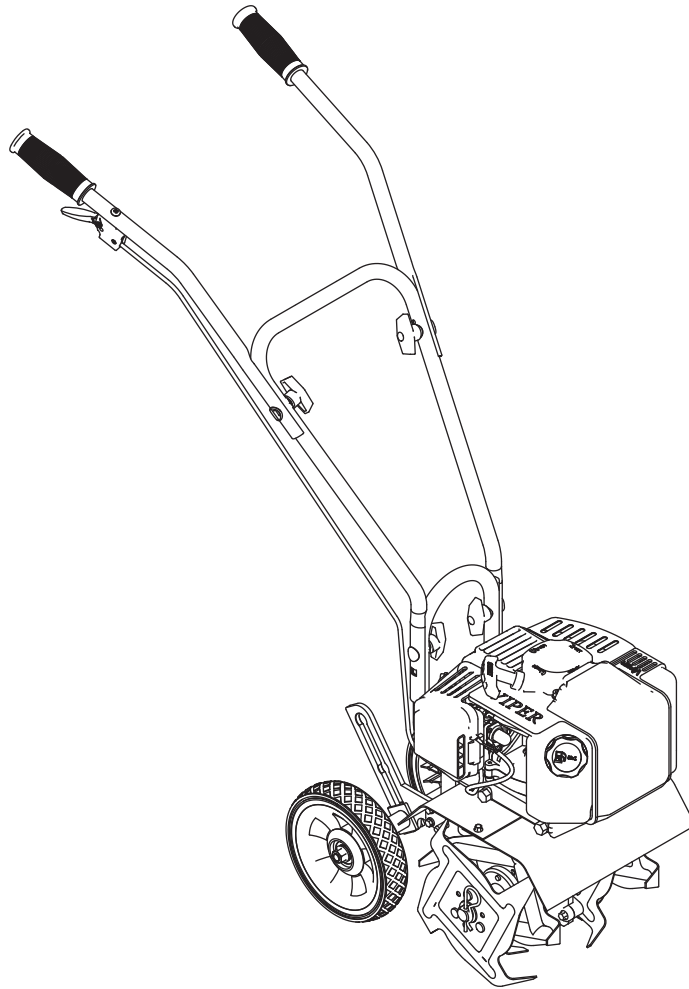



Earthquake[®]
POWERED CHORE EQUIPMENT

Operator's Manual
Original Operating Instructions
MC43
2-Cycle Cultivator

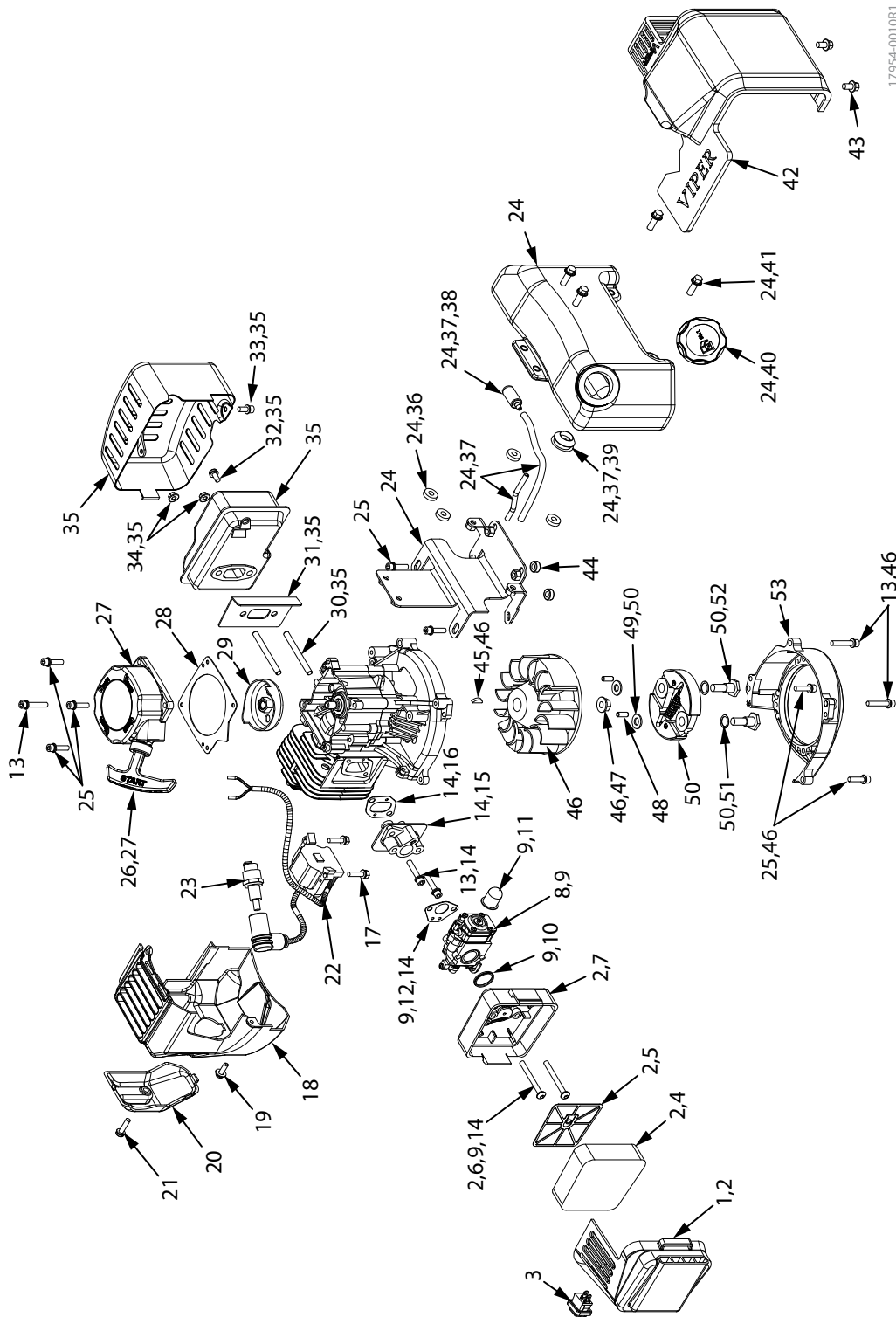


Includes Model:
MC43



P/N: 17954
ECN: 10609
REV2: 10/10/14
© 2014 Ardisam, Inc.
All Rights Reserved

ILLUSTRATED PARTS BREAKDOWN - Engine Assembly



ILLUSTRATED PARTS BREAKDOWN - Engine Assembly

ITEM NO.	PART NO.	DESCRIPTION	QTY.
1	3004158	AIR FILTER COVER	1
2	15230	KIT AIR FILTER ASSEMBLY	1
3	1021	ROCKER SWITCH	1
4	3004156	FOAM ELEMENT AIR FILTER BLOCK	1
5	3004157	AIR FILTER REINFORCEMENT FRAME	1
6	15209	BOLT M5 X 52 WITH WASHER	2
7*	3004150	AIR FILTER BASE ASSEMBLY	1
8	15261	CARBURETOR 43CC NO TAMP	1
9	11334	KIT CARBURETOR REPLACEMENT	1
10	300481	CARBURETOR O-RING	1
11	3004109	CARBURETOR PRIMER BULB	1
12	300479	CARBURETOR GASKET	1
13	17952	BOLT M5 X 28 WITH WASHER	5
14	11205	KIT INTAKE MANIFOLD	1
15	300478	WINDPIPE INTAKE	1
16	300476	GASKET INTAKE	1
17	300335	BOLT M5 X 20 HEX HEAD WITH WASHER	2
18	300482	ENGINE SHROUD RED	1
19	10887	BOLT M5 X 16 BUTTON HEAD WITH WASHER	1
20	300483	ENGINE SHROUD CAP END BLACK	1
21	300439	BOLT M5 X 20 BUTTON HEAD WITH WASHER	1
22	300472	IGNITION COIL PE140F-110 AMP	1
23	BM6A	SPARK PLUG	1
24 (a)	10683	KIT GAS TANK	1
25	17946	BOLT M5 X 20 WITH WASHER	7
26	3004121	RECOIL HANDLE	1
27	300430	RECOIL ASSEMBLY	1
28	300429	RECOIL SPACER PLATE	1
29	300491	RECOIL CLUTCH CUP	1
30	300493	STUD M6 X 62	2

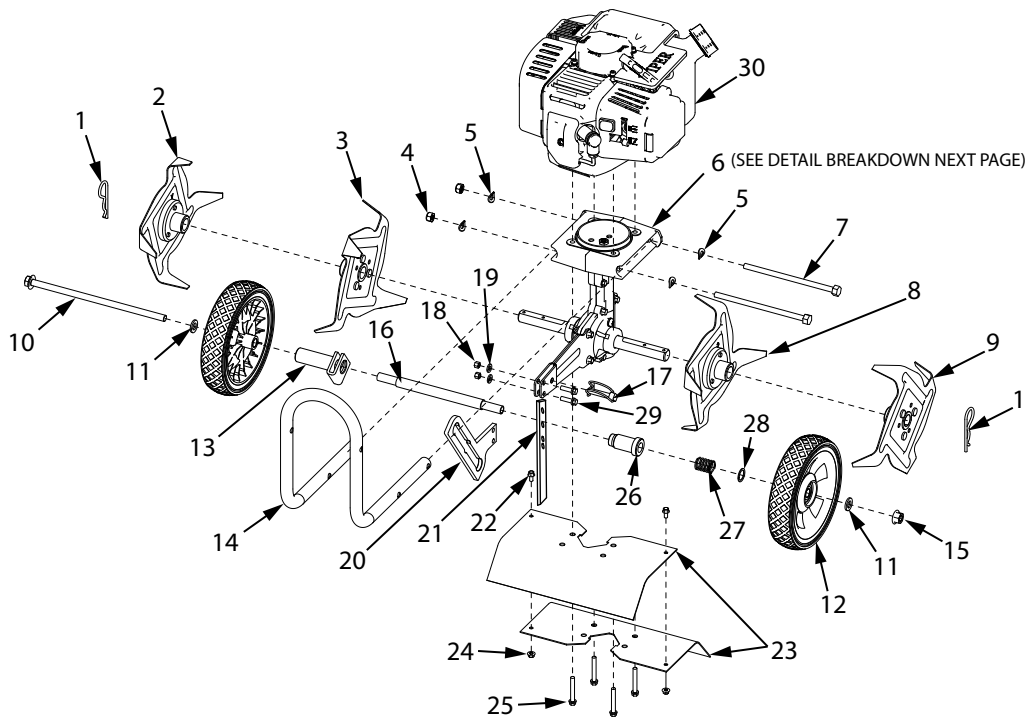
ITEM NO.	PART NO.	DESCRIPTION	QTY.
31	300475	GASKET MUFFLER HEAT SHIELD	1
32	300471	BOLT M5 X 12 WITH WASHER	1
33	17888	BOLT M5 X 12 SOCKET HEAD WITH WASHER	1
34	300492	NUT M6 X 1 HEX FLANGE	2
35	11197	KIT MUFFLER STRAIGHT EJECTION	1
36	11190	SPACER M5 X 4 NYLON	4
37 (b)	3004105	KIT FUEL LINE TWO HOLE GROMMET	1
38	3004103	FUEL FILTER	1
39	300494	GROMMET TWO HOLE	1
40	11936	GAS CAP TWO WAY SELF VENTING	1
41	4647	BOLT M6 X 18 HEX FLANGE	4
42	15105	GAS TANK SHROUD BLACK	1
43	300336	BOLT M6 X 10 HEX FLANGE	2
44	11189	SPACER M5 X 5	2
45	300338	KEY WOODRUFF 3 X 5 X 12	1
46	11209	KIT FLYWHEEL	1
47	300337	NUT M8 X 1.25 HEX FLANGE	1
48	300467	DOWEL PIN 5 X 12	2
49	300462	WASHER 15.8 X 8.4 X 1.6	2
50	11235	KIT CLUTCH	1
51	300449	WAVE WASHER 10 X 15 X 0.25	2
52	300450	BOLT M8 X 25 SHOULDER 10	2
53	300487	FLYWHEEL SHROUD	1
-	15075	ENGINE 43CC MINI CULTIVATOR	1
-	3004114	KIT CARBURETOR REPAIR	1
-	KITTU101	KIT TUNE UP	1

*Air filter assembly includes: air filter base, choke lever bolt, two choke lever washers, nylock choke lever nut, choke lever, and choke paddle.

(a) Gas tank kit includes: gas tank, gas cap, two-hole grommet, fuel line hose, primer line hose, and fuel filter.

(b) These parts are available as part of fuel line repair kit. Fuel line repair kit includes: two-hole grommet, fuel line hose, primer line hose, and fuel filter.

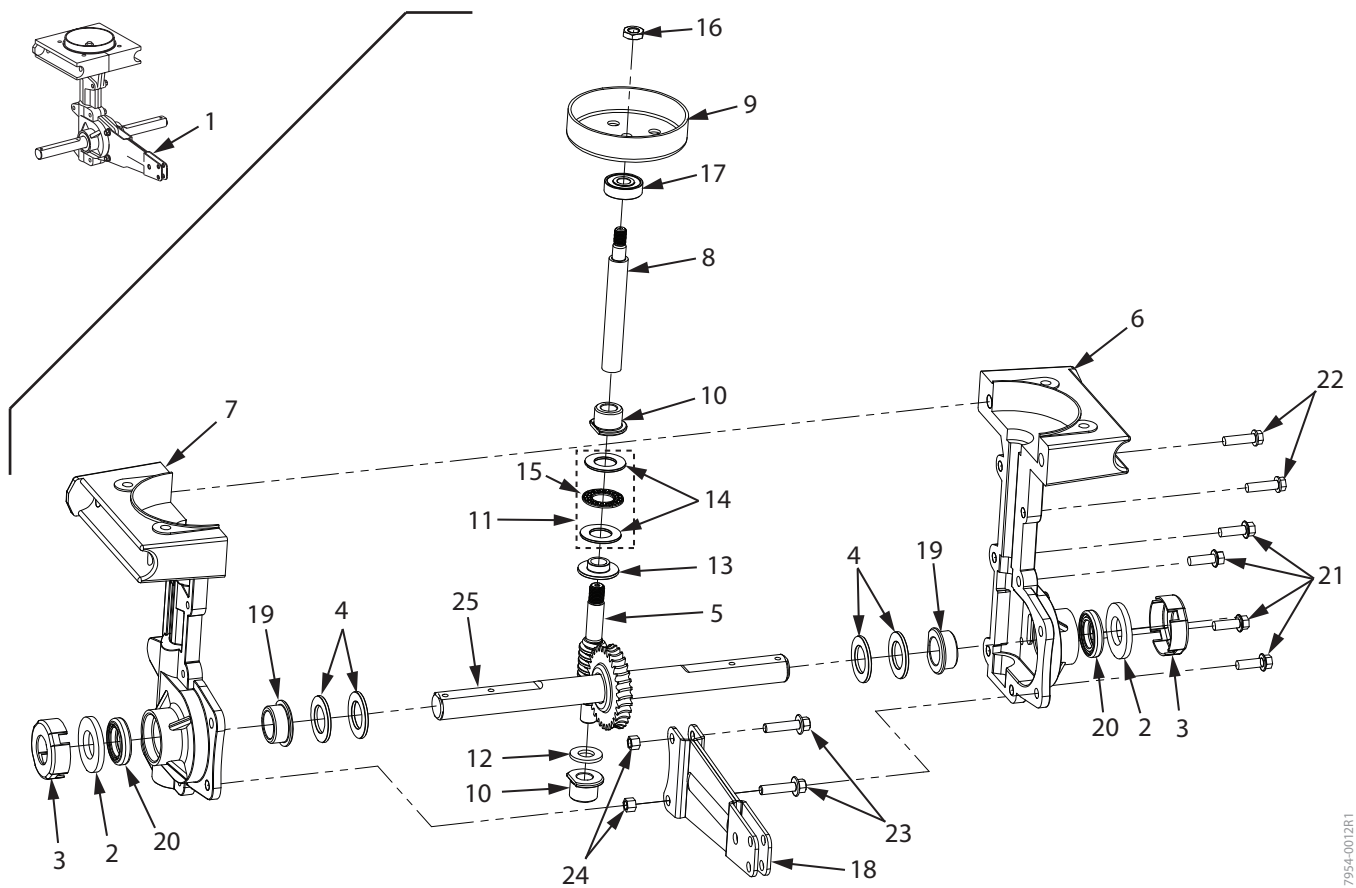
ILLUSTRATED PARTS BREAKDOWN - Hood & Tines Parts Explosion



ITEM NO.	PART NO.	DESCRIPTION	QTY.
1	4652	HAIR PIN, 5/8-3/4 COTTER	2
2	4601	TINE "A" RIGHT OUTSIDE	1
3	4603	TINE "B" RIGHT INSIDE	1
4	400023	NUT M8 NYLOCK	2
5	4641	WASHER M8 CURVED ZINC	4
6	46138	TRANSMISSION ASSEMBLY	1
7	46141	BOLT M8-1.25 X 155MM ZN P-T	2
8	4602	TINE "C" LEFT INSIDE	1
9	4604	TINE "D" LEFT OUTSIDE	1
10	17171	BOLT M10-1.5 X 231 HHF GR8.8 YL ZN P-T	1
11	2431	WASHER, 10MM NARROW FLAT	2
12	4634	WHEEL 180 X 38MM DIAMOND TREAD WHITE HUB	2
13	4678	GUIDE, WHEEL TUBE	1
14	15104	HANDLEBAR LOWER MC NO BATTERY BOX HOLES	1
15	4629	NUT M10 X 1.5 CENTER LOCK HEX HD	1
16	4674	WHEEL TUBE	1

ITEM NO.	PART NO.	DESCRIPTION	QTY.
17	18039	PIN LOCK 8MM X 40MM PIPE SAFETY PIN	1
18	4650	NUT M6 X 1.0 FLANGED HEX HD	2
19	W1200117	WASHER M6 X 13 X 1.75 FLAT ZN	2
20	4673	WHEEL HOLDER	1
21	4600	DRAG STAKE	1
22	4691	BOLT, M4 X 0.7 X 10MM PHILLIPS PAN HD	2
23	46146	TINE SHIELD	2
24	400020	NUT M5 X 0.8 TOPLCK HHF GR 8.8 ZN	2
25	4625	BOLT, M6 X 1.0 X 42MM FLANG HEX HD	4
26	4684	TUBE, WHEEL LOCK	1
27	4685	SPRING, WHEEL LOCK	1
28	13230	WASHER 21MM X 16MM X 1MM	1
29	46142	BOLT M6 X 1.0 X 15MM FLANG HEX HD	2
30	15075	ENGINE MC43 VIPER MANUAL START	1

ILLUSTRATED PARTS BREAKDOWN - Transmission Parts Explosion



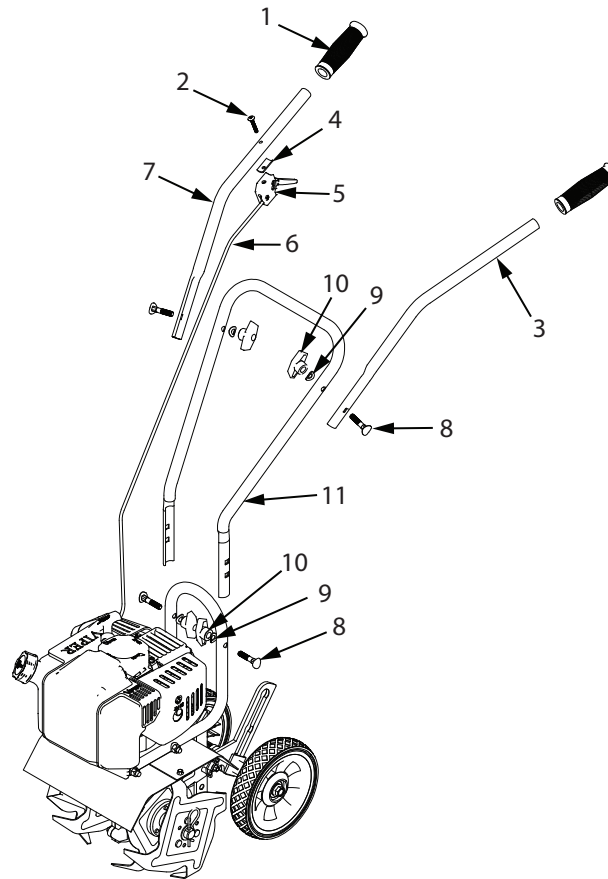
17954-0012R1

ITEM NO.	PART NO.	DESCRIPTION	QTY.
1	46138	TRANSMISSION ASSEMBLY	1
2	4606	WASHER, FIBER	2
3	46144	DUST CAP	2
4	4610	SHIM, TINE SHAFT	4
5	4613	WORM SPUD	1
6	46135	TRANSMISSION CASTING, RIGHT	1
7	46136	TRANSMISSION CASTING, LEFT	1
8	46137	DRIVE SHAFT	1
9	300414	CLUTCH DRUM	1
10	4614	BUSHING, DRIVE SHAFT	2
11	4615	THRUST BEARING ASSEMBLY	1
12	4616	SPACER, BUSHING	1
13	4617	REDUCER, THRUST BEARING	1
14*	4618	WASHER, THRUST	2

ITEM NO.	PART NO.	DESCRIPTION	QTY.
15*	4619	THRUST BEARING CAGE WASHER	1
16	4620	NUT, JAM M8	1
17	4623	BALL BEARING, 9MM	1
18	4633	ARM WHEEL/DRAG STAKE MOUNT	1
19	4645	BUSHING, TINE SHAFT	2
20	4646	SEAL, TINE SHAFT	2
21	4647	BOLT, FLG HEX HD M6 X 1.0 X 18MM	4
22	4648	BOLT, FLG HEX HD M6 X 1.0 X 22MM	2
23	4649	BOLT, FLG HEX HD M6 X 1.0 X 24MM	2
24	4650	NUT, FLANGED HEX HD M6	2
25	4651	TINE GEAR & SHAFT ASSEMBLY	1

* ORDER THRUST BEARING ASSEMBLY KIT 4615

ILLUSTRATED PARTS BREAKDOWN - Mc43 Handlebar Parts Explosion



17954-0013RT

ITEM NO.	PART NO.	DESCRIPTION	QTY.
1	4639	GRIP, HANDLEBAR	2
2	4814	BOLT, PHILLIPS TRUSS HD ZN 10-24 X 1-1/4	1
3	4690	HANDLEBAR, UPPER LEFT	1
4	12633	RUBBER PAD	1
5	4809	TRIGGER ASSEMBLY, SHORT THROW W/O CABLE	1
6	14645	THROTTLE CABLE	1
7	4689	HANDLEBAR, UPPER RIGHT	1
8	4642	BOLT, HANDLE CLAMP	4
9	4641	WASHER	4
10	4640	NUT, T-HANDLE	4
11	4693	HANDLEBAR, MIDDLE	1