

Earthquake®

GROUNDBREAKING POWER EQUIPMENT

Illustrated Parts Breakdown
Illustration des pièces détachées

K32™

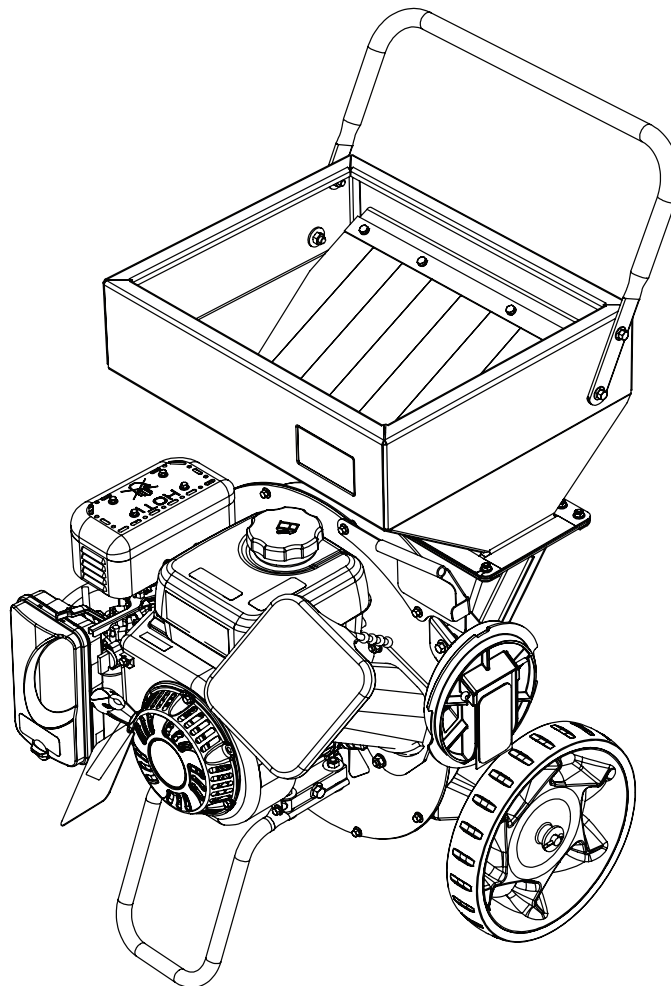
Viper® 212cc Chipper Shredder

**Model Number, Numéros de modèle :
33968**

ENGLISH

FRANÇAIS

S/N

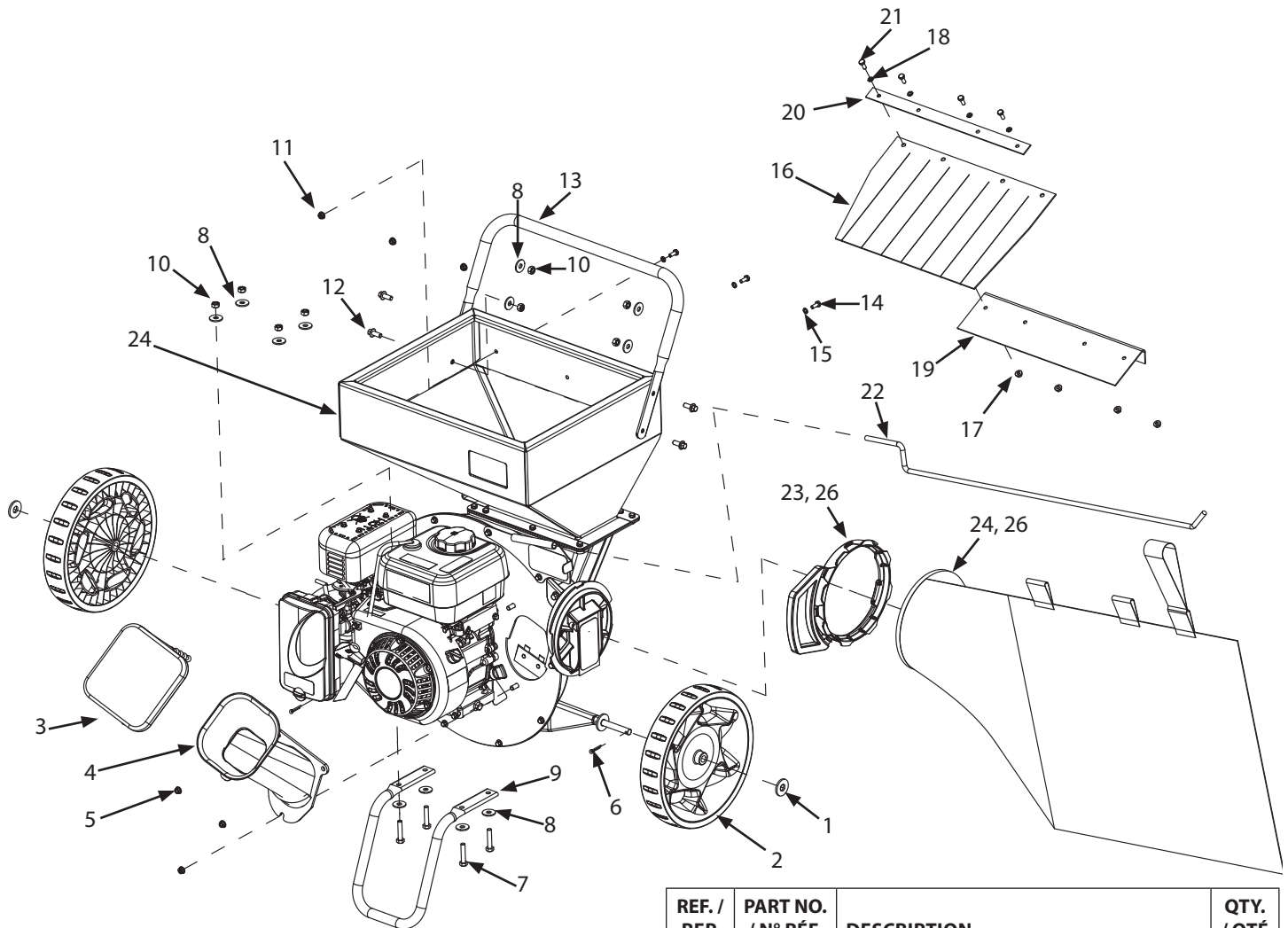


© 2020 Ardisam
All Rights Reserved
Tous droits réservés
P/N: 35292
ECN: 12913
REV 1: 05/08/2020



THIS INSTRUCTION BOOKLET CONTAINS IMPORTANT SAFETY INFORMATION. PLEASE READ AND KEEP FOR FUTURE REFERENCE.
CE LIVRET D'INSTRUCTIONS CONTIENT DES INFORMATIONS IMPORTANTES SUR LA SÉCURITÉ. VEUILLEZ LE LIRE ET LE CONSERVER POUR TOUTE CONSULTATION EXTÉRIEURE.

ILLUSTRATED PARTS BREAKDOWN / ILLUSTRATION DES PIÈCES DÉTACHÉES - Main Explosion

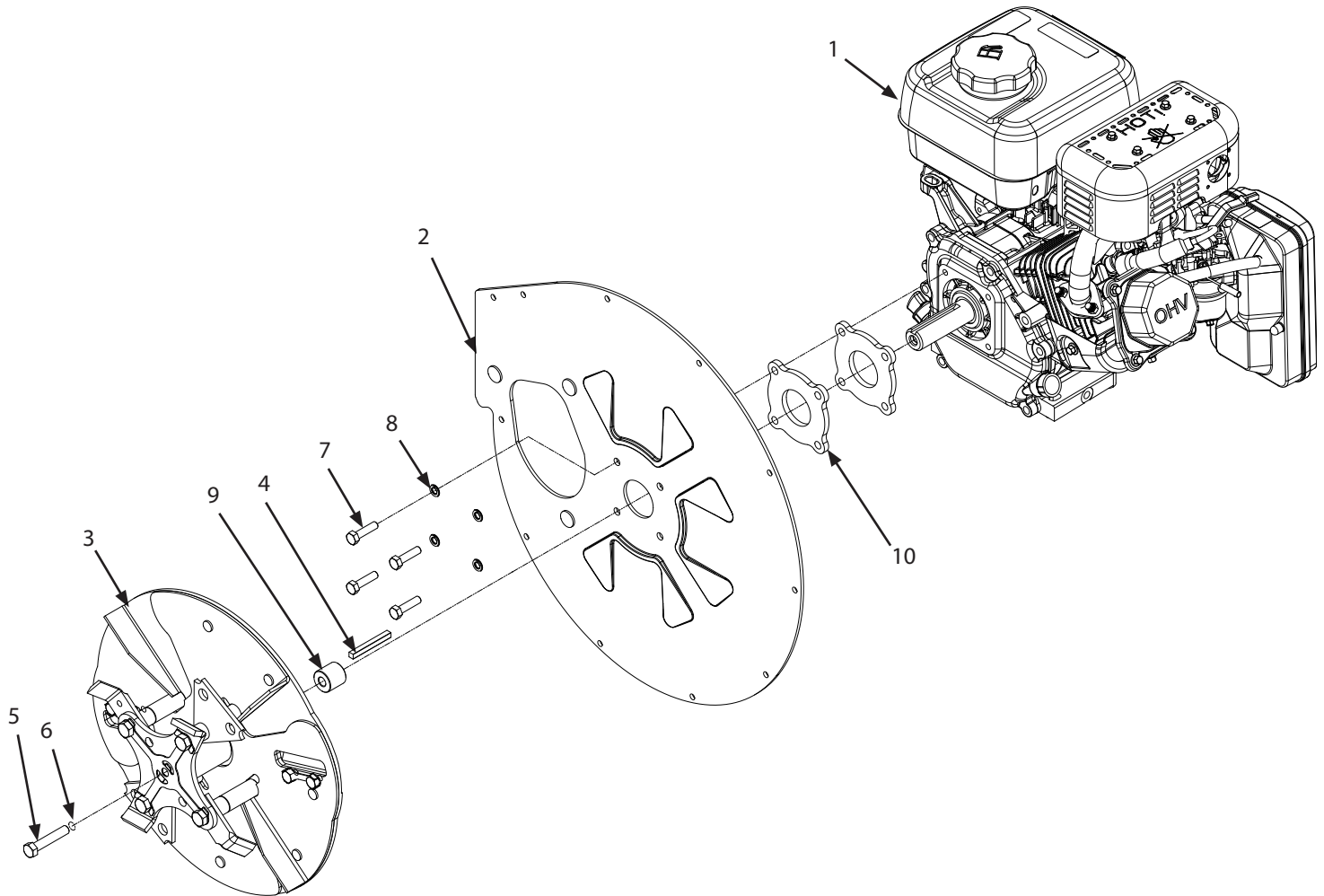


REF. / REP.	PART NO. / N° RÉF.	DESCRIPTION	QTY. / QTÉ
1	50175	WASHER 12MM	2
2	35618	CHIPPER WHEEL 11X 2	2
3	23681	CONE COVER	1
4	34507	WELDMENT CHIPPER CONE	1
5	16400	NUT M8 X 1.25 HSF NYLOC GR8.8 ZN	8
6	22097	COTTER PIN HAIRPIN 2MM X 50MM	2
7	12770	BOLT M8 X 1.25 X 40 MM 88 ZN	4
8	20143	WASHER M8 X 16 X 1.6 FLAT ZN	12
9	23680	KICKSTAND CHIPPER	1
10	W1256V0900	NUT M8 X 1.25 HNYLK GR8.8 ZN	8
11	14109	NUT M6 X 1.0 HHFNLYK GR8.8 ZN	3
12	20818	BOLT M8 X 1.25 X 16 HHSF GR8.8 ZN	4

REF. / REP.	PART NO. / N° RÉF.	DESCRIPTION	QTY. / QTÉ
13	27709	HANDLEBAR CHIPPER	1
14	670890	BOLT M6 X 1.0 X 16 HH GR8.8 ZN	3
15	18130	WASHER M6 X 1.5 SPRCLK ZN	3
16	1095100	GUARD HOPPER 10.25 X 1.00 X 0.10 BLACK	1
17	14109	NUT M6 X 1.0 HHFNLYK GR8.8 ZN	4
18	18130	WASHER M6 X 1.5 SPRCLK ZN	4
19	27717	FLANGE HOPPER GUARD	1
20	22110	RETAINER HOPPER GUARD	1
21	67089	BOLT M6 X 1.0 X 16 HH GR 8.8 ZN	4
22	35623	ROD BAG SUPPORT	1
23	35630	CONNECTOR BAG	1
24	23679	BAG CHIPPER 840MM X 560MM	1
25*	---	CHIPPER ASSEMBLY	---
26	36634	ASSEMBLY BAG CONNECTOR KIT	1

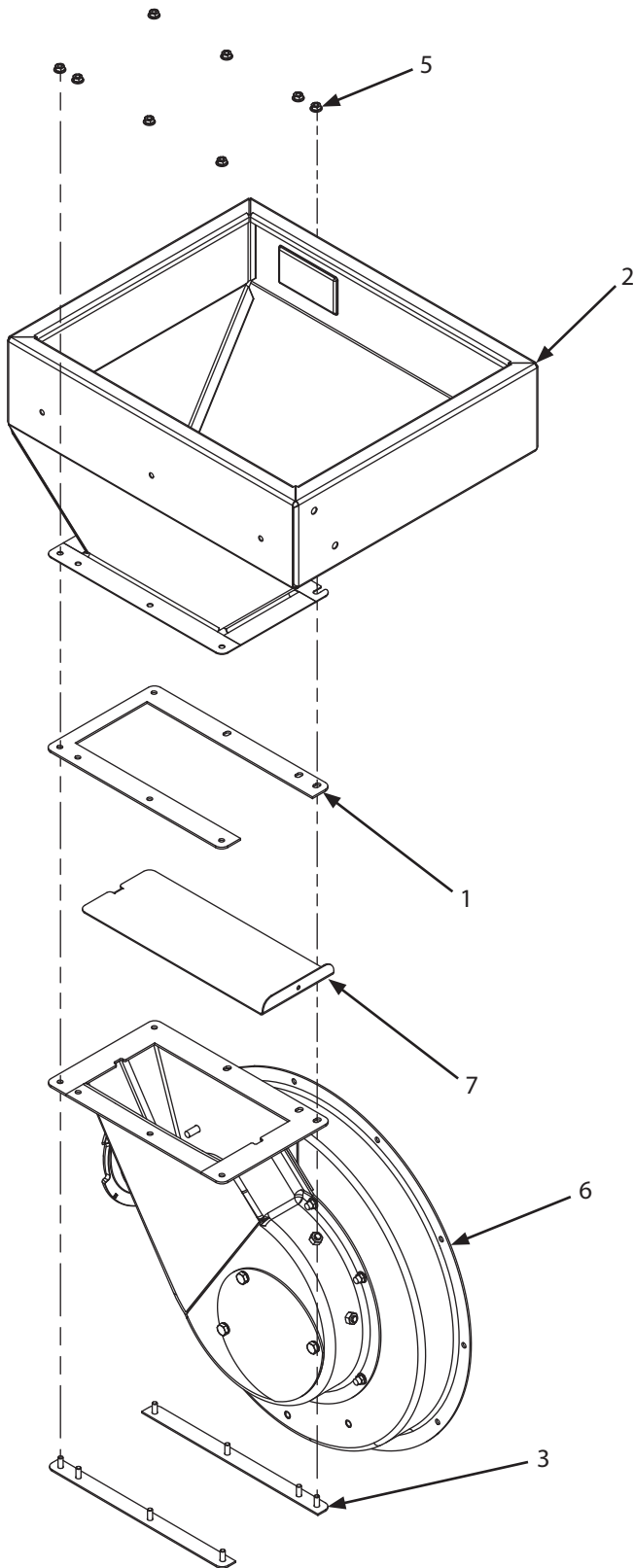
*Item shown for illustrative purposes only.

ILLUSTRATED PARTS BREAKDOWN / ILLUSTRATION DES PIÈCES DÉTACHÉES - Engine and Rotor Assembly



REF. / REP.	PART NO. / N° RÉF.	DESCRIPTION	QTY. / QTÉ
1	24129	ENGINE HRZ 1 IN SHAFT 212CC VPR R210 EPA3	1
2	23685	WELDMENT PLATE ENGINE	1
3	21959	ASSEMBLY ROTOR HAMMERS AND KNIVES METRIC	1
4	905100	KEY 1/4 SQ X 2-1/4 PARALLEL PLN	1
5	30608	BOLT 3/8 X 24 X 2 HH GR10.9 FT	1
6	1916965	WASHER LOCK SPRING 3/8	1
7	813	BOLT 5/16-24 X 1-1/4 HH GR8.8 ZN	4
8	21640	WASHER M8 SPRLK ZN	4
9	1713200	SPACER .41 X 1.00 X .95 THK STEEL	1
10	22848	SPACER ENGINE R210	2

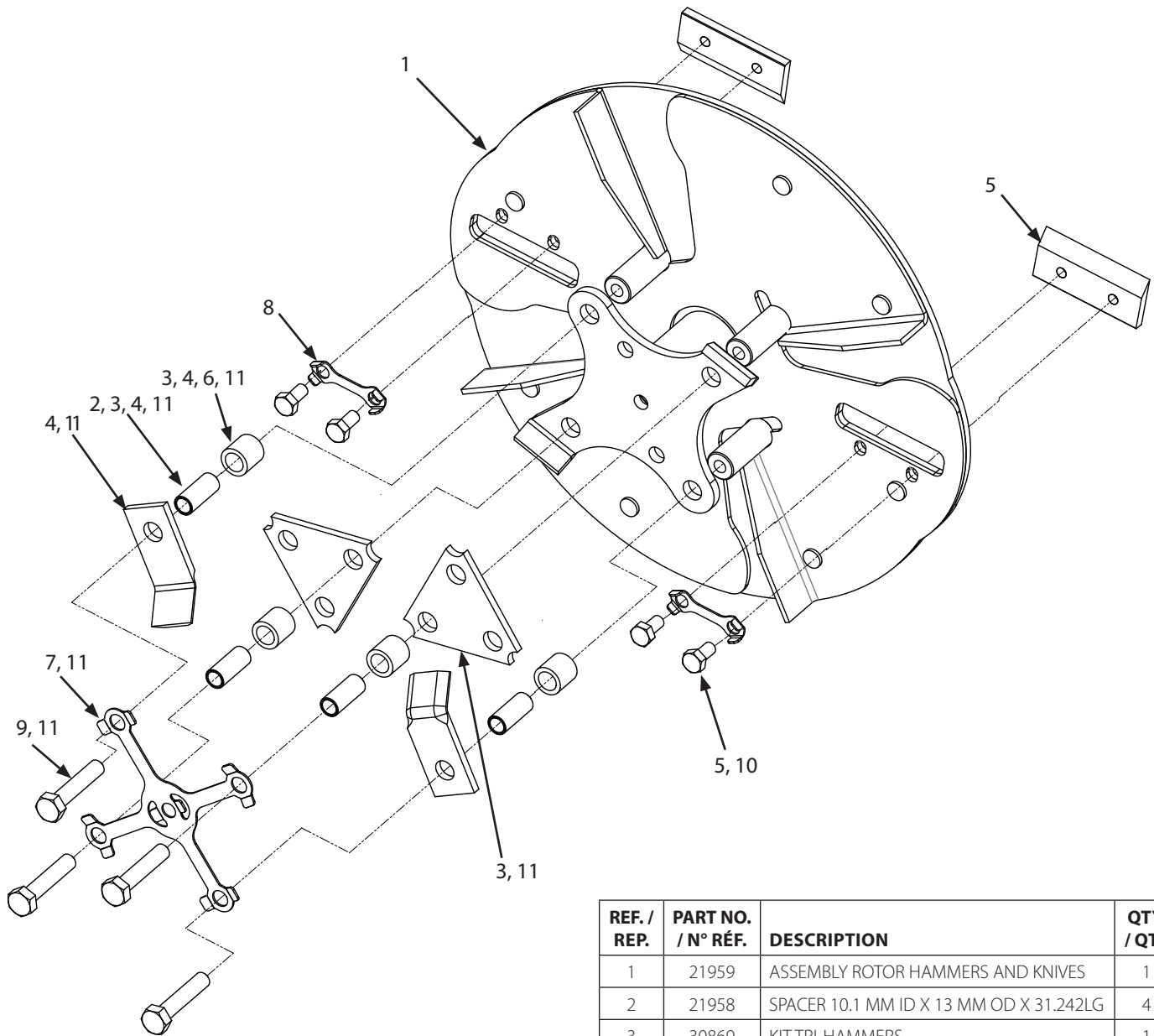
ILLUSTRATED PARTS BREAKDOWN / ILLUSTRATION DES PIÈCES DÉTACHÉES - Hopper Group



REF. / REP.	PART NO. / N° RÉF.	DESCRIPTION	QTY. / QTÉ
1	27774	SHIM	1
2	37221	WELDMENT CHIPPER HOPPER	1
3	36446	STUD PLATE	2
5	14109	NUT M6 X 1.0 HFNYLK GR8.8	8
6*	---	CHIPPER HOUSING GROUP	---
7	23687	DAMPER	1

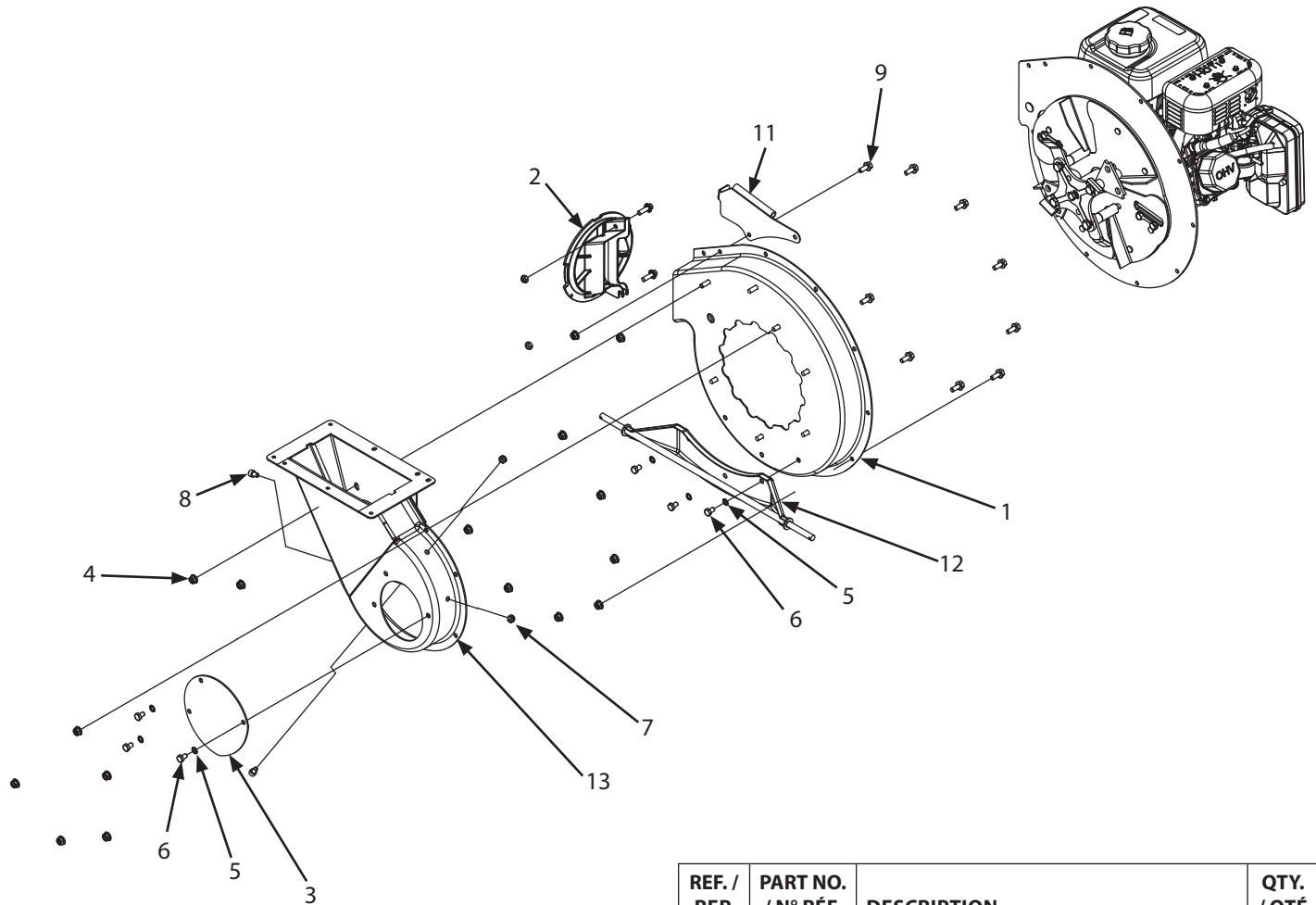
* Item shown for illustrative purposes only.

ILLUSTRATED PARTS BREAKDOWN / ILLUSTRATION DES PIÈCES DÉTACHÉES - Rotor Group Assembly



REF. / REP.	PART NO. / N° RÉF.	DESCRIPTION	QTY. / QTÉ
1	21959	ASSEMBLY ROTOR HAMMERS AND KNIVES	1
2	21958	SPACER 10.1 MM ID X 13 MM OD X 31.242LG	4
3	30869	KIT TRI-HAMMERS	1
4	30868	KIT J-HAMMERS	1
5	30867	KIT LOCKING PLATE	1
6	22166	SPACER 13 MM ID X 19 MM OD X 18.745 LG	4
7	30507	PLATE LOCKING ROTOR	1
8	30508	PLATE LOCKING KNIVES	2
9	30583	BOLT M10-1.5 X 50 MM HH GR10.9 F-T	4
10	30584	BOLT M8 X 1.25 X 16 MM HH GR10.9 F-T	4
11	30940	KIT ROTOR COMPLETE	1

ILLUSTRATED PARTS BREAKDOWN: Chipper Housing Assembly



REF. / REP.	PART NO. / N° RÉF.	DESCRIPTION	QTY. / QTÉ
1	23683	WELDMENT HOUSING ROTOR	1
2	21936	ASSEMBLY BAG CONNECTOR KIT	1
3	23684	COVER ROTOR HOUSING	1
4	34553	NUT M8	16
5	21640	WASHER M8 SPRING LOCK ZINC	6
6	3241	BOLT M8 X 1.25 12 HHCS GR8.8 ZN	6
7	W1265V0900	NUT M8 X 1.25 HNYLK GR8.8 ZN	2
8	23956	BOLT M8 X 1.25 X 12 SHCS GR8.8 ZN F-T	2
9	16880	BOLT M8-1.25 X 25 SFH GR8.8 ZN F-T	2
11	27778	WELDMENT BAG SUPPORT	1
12	27777	WELDMENT AXLE MOUNT CHIPPER	1
13	23682	WELDMENT CHIPPER BACK COVER	1
14*	---	ENGINE AND ROTOR GROUP	---

*Item shown for illustrative purposes only.