



HEARTH PRODUCTS

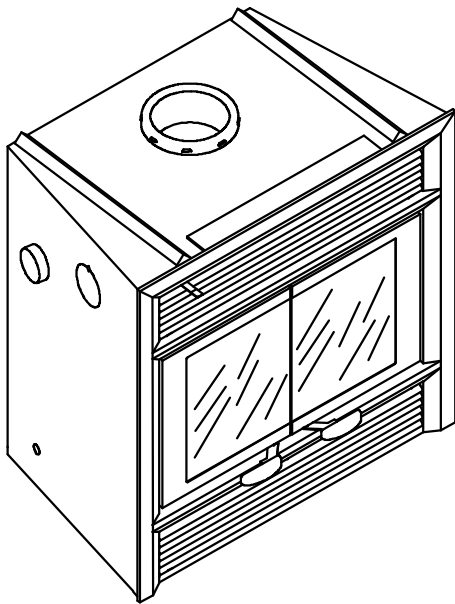
INSTALLATION AND OPERATION INSTRUCTIONS

Solana™

EPA Low-Mass Wood-burning Fireplace Phase 2 Qualified

43" Wood-Burning Fireplaces

P/N 506023-07 REV. B 06/2010



MODELS

SOLANA-BK
SOLANA-BN



This installation manual will enable you to obtain a safe, efficient and dependable installation of your fireplace system. Please read and understand these instructions before beginning your installation.

Do not alter or modify the fireplace or its components under any circumstances. Any modification or alteration of the fireplace system, including but not limited to the fireplace, chimney components and accessories, may void the warranty, listings and approvals of this system and could result in an unsafe and potentially dangerous installation.

Lennox Hearth Products wood-burning fireplaces are designed for use as a supplemental heater. They are not intended for continuous use as a primary heat source.

SAVE THESE INSTRUCTIONS FOR FUTURE REFERENCE

	<p>! WARNINGS</p> <ul style="list-style-type: none"> Hot! Do not touch! The glass and surfaces of this appliance will be hot during operation and will retain heat for a while after shutting off the appliance. Severe burns may result. Carefully supervise children in the same room as appliance.

! WARNINGS	
<ul style="list-style-type: none"> The fireplace cannot be operated without doors or firescreens. Consult your dealer to select the correct replacement door(s) or firescreen(s). Important! To assure proper alignment of glass doors: Install this fireplace in a square and plumb condition, using shims as necessary at sides and/or bottom. Install the fireplace only as described in these instructions. 	

 Intertek	<p>Listed to standards: ULC-S610 & UL-127 ASTM 2558 Report No. 192-5237</p>
---------------------	--

 NATIONAL FIREPLACE INSTITUTE NFI CERTIFIED www.nficertified.org	<p>We recommend that our woodburning hearth products be installed and serviced by professionals who are certified in the U.S. by the National Fireplace Institute® (NFI) as NFI Woodburning Specialists or who are certified in Canada by Wood Energy Technical Training (WETT).</p>
---	--



REPLACEMENT PARTS LIST - SOLANA™

Item #	Description	Cat. No.
1	Refractory Baffle	PR-SR2028
2	Back Refractory	PR-SR2027
3	Right Side Refractory	PR-SR2025D
4	Left Side Refractory	PR-SR2025G
5	Bottom Refractory	PR-SR1722
6	Front Refractory Ash Lip	PR-SR2026
7	Log Support Grate	H7706
8	Top Louver	PR-SR15P
9	Bottom Louver	PR-SR15P
10	Louver Hinges	PR-PIVOT
11	Rigid Firescreen (Right)	PR-PARETIND-1
12	Rigid Firescreen (Left)	PR-PARETING-1
13	Black Door (Left)	H7708
14	Black Door (Right)	H7707
15	Brushed Nickel Plated Door (Left)	H7710
16	Brushed Nickel Plated Door (Right)	H7709
17	Wooden Handle	PR-SAC83
18	Touch-up Paint, Aerosol, Black Metallic SBMB6309	70K99

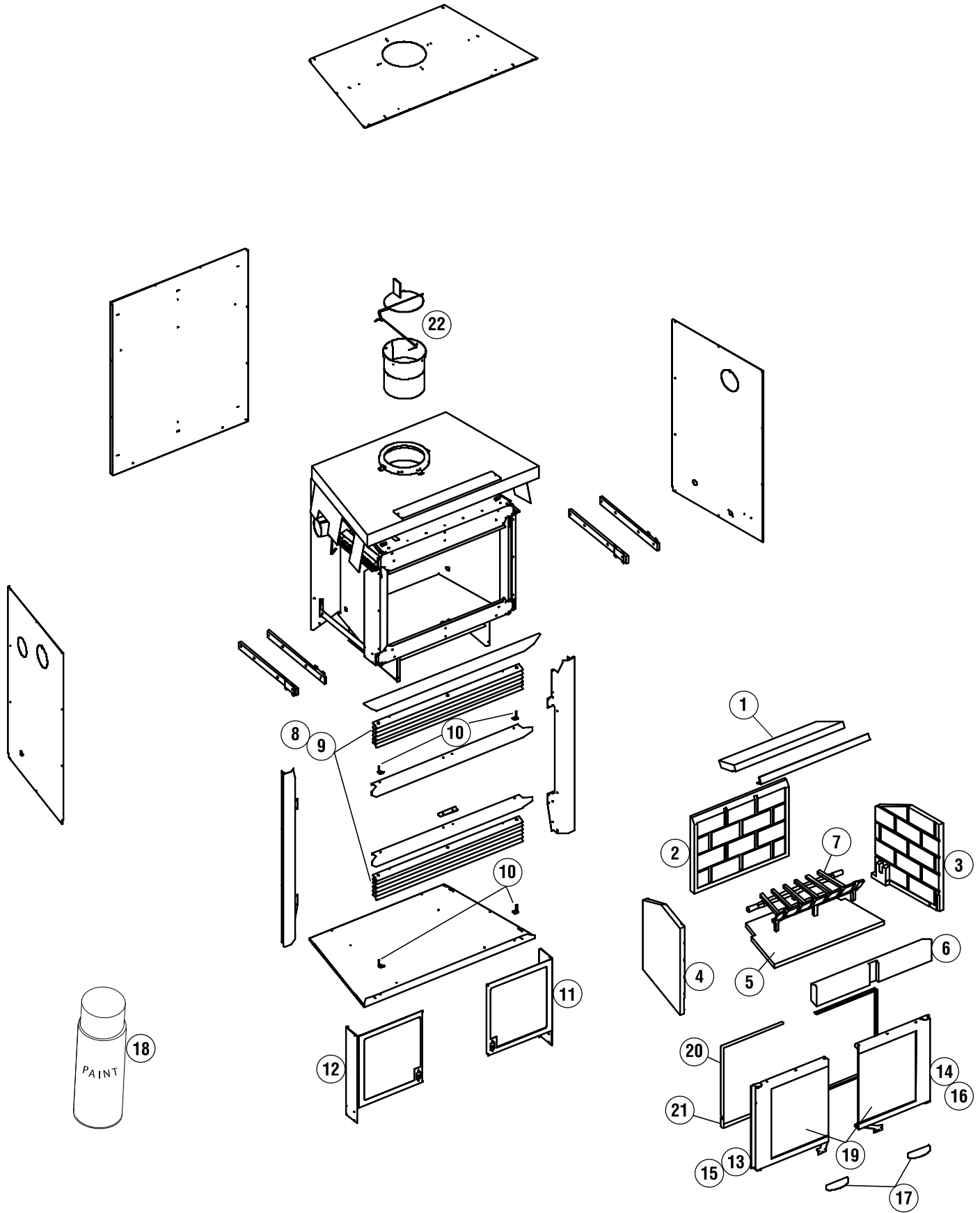
Item #	Description	Cat. No.
19	Ceramic Glass Panel	PR-VC10
---	Thermostatic Disc Control, Blower	VTU
20	Door Gasket, 31" <i>see note below</i> ❶	PR-COGR2035
21	Door Gasket, 16" <i>see note below</i> ❶	PR-COGR2035A
---	Horizontal Glass Gasket (for black doors)	PR-SR1685A
---	Vertical Glass Gasket (for black doors)	PR-SR1685B
---	Upper Glass Gasket (for nickel plated doors) ❷	PR-ISO2938
---	Side Glass Gasket (for nickel plated doors) ❷	PR-ISO2939
---	Lower Glass Gasket (for nickel plated doors) ❷	PR-ISO2750
22	Damper (plate, pivot, rod and counter-weight)	PR-SR2798

❶ *Note: To order the complete gasket set to seal one door, order 1 each P/N PR-COGR2035 (31") and 1 each P/N PR-COGR2035A (16").*

❷ *Note: To order a complete gasket set to seal one glass on a nickel plated door, order one each P/N PR-ISO2938, P/N PR-ISO2939 and P/N PR-ISO2750.*

Contact an Authorized Lennox Hearth Products dealer to obtain any of these parts. Never use substitute materials not approved by Lennox Hearth Products. Use of non-approved parts can result in poor performance and safety hazards.

REPLACEMENT PARTS - SOLANA™



NOTE: DIAGRAMS & ILLUSTRATIONS ARE NOT TO SCALE.