

PARTS MANUAL

MANUAL DE REPUESTOS
MANUEL DE PIÈCES DÉTACHÉES
MANUALE DEI COMPONENTI

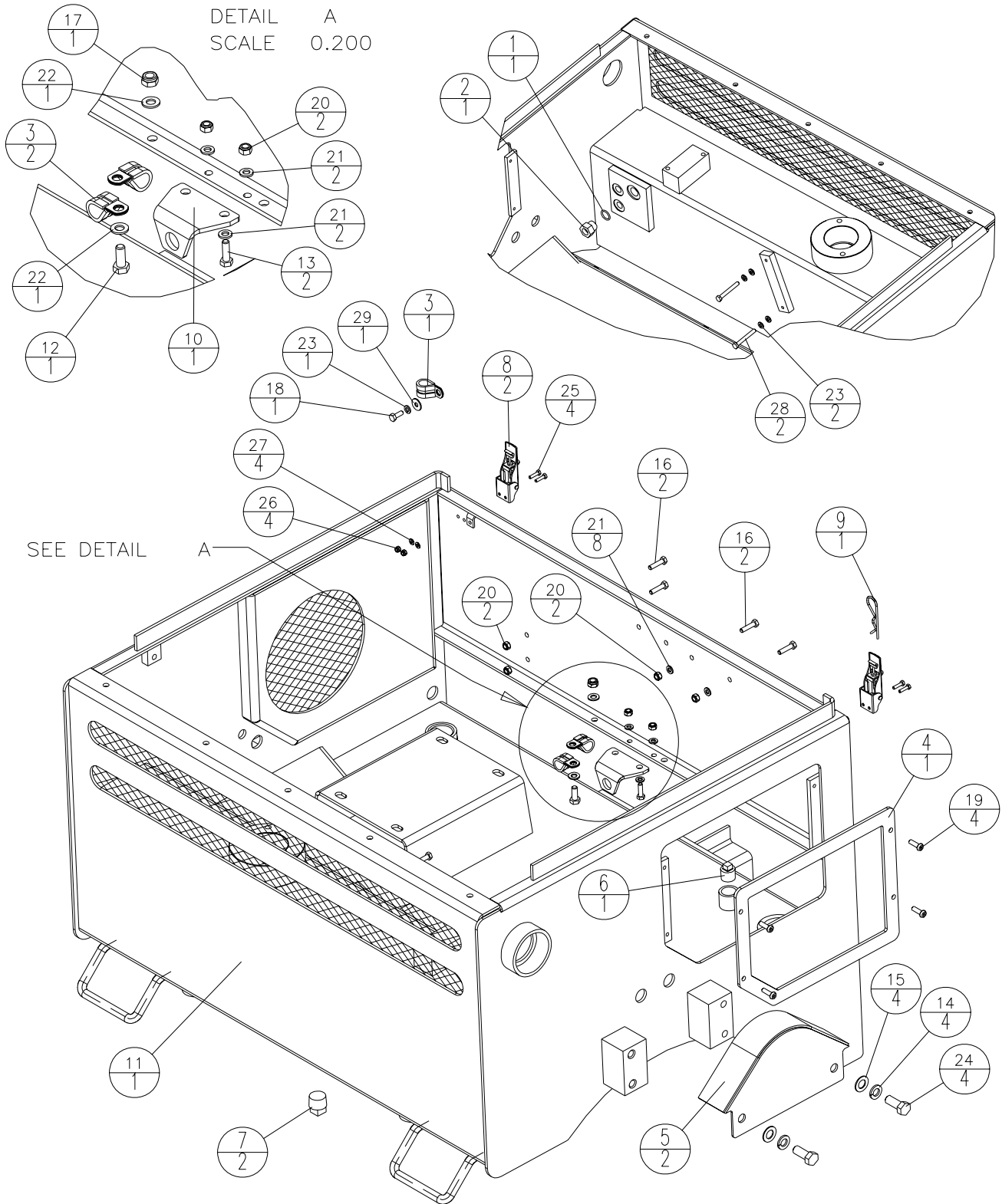


WolfPac™ Vibratory Asphalt Roller

Model: WP3100 (Gas)
Modelos: WP3100 (Gas)
Modeles: WP3100D (Diesel)
Modelli:

WOLFPAC 3100



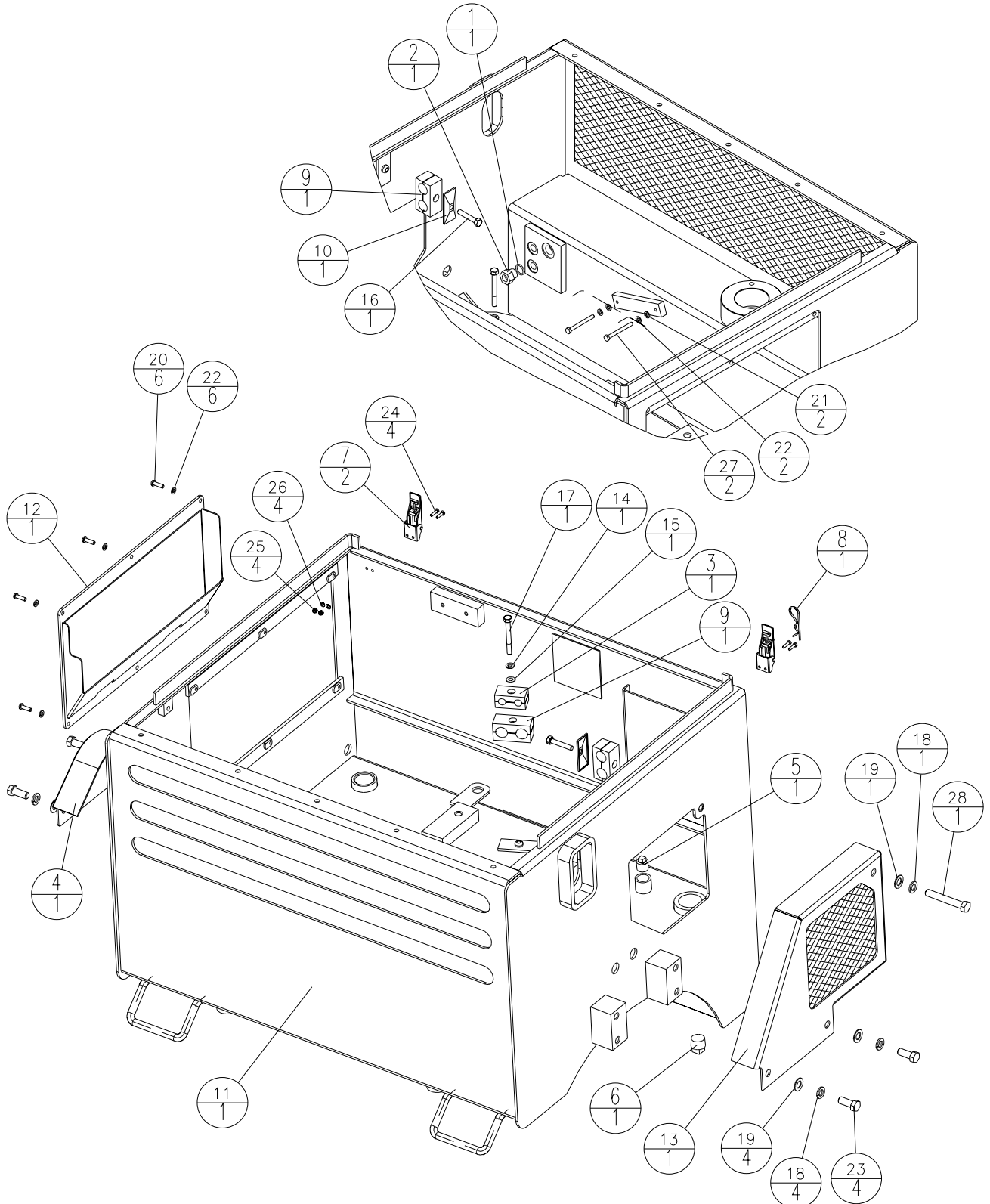




FRONT FRAME WP3100

Item	Part No.	Qty	Description	Descripción	Description	Descrizione
1	32299	1	O-Ring 5/8 ID x 3/32 Dia			
2	32300	1	Gauge Sight Oil			
3	35448	3	Clamp 5/8 Rubber Loop			
4	43608	1	Panel Weld Front LH			
5	43668	2	Weld Side Cover			
6	46107	1	Plug 1/2 NPT SQ HD Blk			
7	46774	2	Plug 3/4 NPT Magnetic SQ HD			
8	47373	2	Latch Draw Lockable			
9	47381	1	Hairpin 3/8-3/4 .093 ZN			
10	50119	1	Bracket Cable			
11	50867-2	1	Weld Frame Front			
12	80406	1	Screw HHCS M8-1.25 x 20 8.8 ZN			
13	80758	2	Screw HHCS M6-1 x 20 8.8 ZN			
14	80805	4	Washer WSHRL M12 Split ZN			
15	80807	4	Washer WSHR Flat M12 x 24 ZN			
16	80811	4	Screw HHCS M6-1 x 25 8.8 ZN			
17	80817	1	Nut NUTNY M8-1.25 ZN			
*18	80836	1	Screw HHCS M6-1 x 16 8.8 ZN			
*19	80847	4	Screw BHSCS M6-1 x 16 8.8 ZN			
20	80851	6	Nut NUTNY M6-1 ZN			
21	80856	12	Washer WSHR Flat M6 x 12 ZN			
22	80857	2	Washer WSHR Flat M8 x 16 ZN			
23	80860	3	Washer WSHRL M6 Split ZN			
*24	80873	4	Screw HHCS M12-1.75 x 30 10.9 ZN			
25	80877	4	Screw HHCS M4-.7 x 16 8.8 ZN			
26	80878	4	Nut NUTNY M4-0.7 ZN			
27	80880	4	Washer WSHR Flat M4 x 9 ZN			
*28	80881	2	Screw HHCS M6-1 x 50 8.8 ZN			
29	81181	1	Washer WSHR Flat M6 x 18 ZN			

* Use Loctite 262

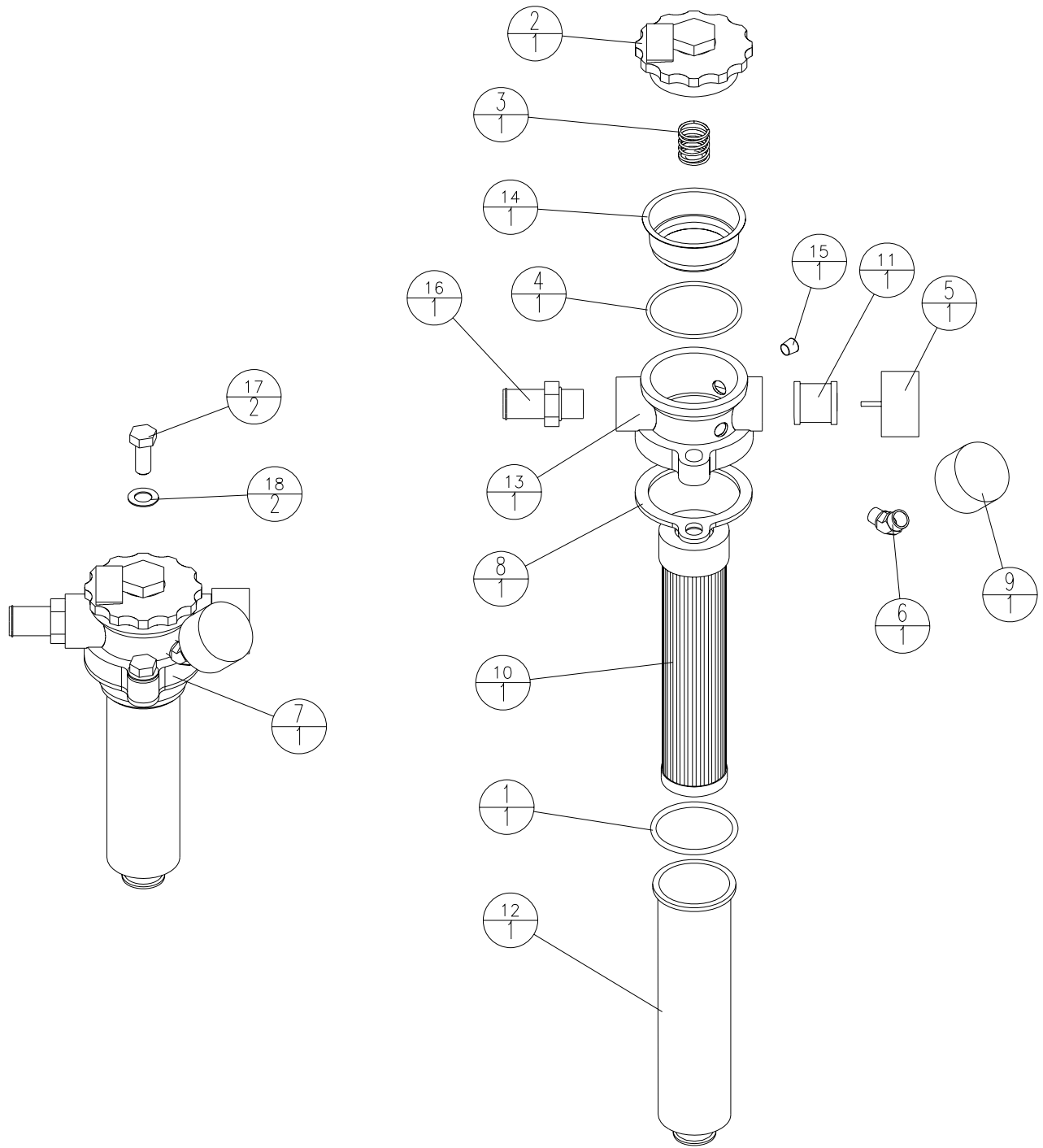




FRONT FRAME WP3100D

Item	Part No.	Qty	Description	Descripción	Description	Descrizione
1	32299	1	O-Ring 5/8 ID x 3/32 Dia			
2	32300	1	Gauge Sight Oil			
3	37529	1	Clamp Twin .500 in Tube			
4	43668	1	Weld Side Cover			
5	46107	1	Plug 1/2 NPT SQ HD Blk			
6	46774	1	Plug 3/4 NPT Magnetic SQ HD			
7	47373	2	Latch Draw Lockable			
8	47381	1	Hairpin 3/8-3/4 .093 ZN			
9	47455	2	Clamp Split Dual Hose 21.3 21.3			
10	47456	1	Cover Plate Dual Hose			
11	50875-2	1	Weld Frame Front WP3100D			
12	50338-2	1	Weld Cover Inlet Radiator WP310D			
13	50342-2	1	Weld Cover Pump WP3100D			
14	80086	1	Screw HHCS M6-1 x 20 8.8 ZN			
15	80348	1	Washer WSHR WROT 5/16 ZN			
*16	80475	1	Screw HHCS 5/16-18 x 1 3/4 GR5 ZN			
*17	80480	1	Screw HHCS 5/16-18 x 2 3/4 GR5 ZN			
18	80805	5	Washer WSHRL M12 Split ZN			
19	80807	5	Washer WSHR Flat M12 x 24 ZN			
*20	80847	6	Screw BHSCS M6-1 x 16 8.8 ZN			
21	80856	2	Washer WSHR Flat M6 x 12 ZN			
22	80860	8	Washer WSHRL M6 Split ZN			
*23	80873	4	Screw HHCS M12-1.75 x 30 10.9 ZN			
24	80877	4	Screw HHCS M4-.7 x 16 8.8 ZN			
25	80878	4	Nut NUTNY M4-0.7 ZN			
26	80880	4	Washer WSHR Flat M4 x 9 ZN			
*27	81111	2	Screw HHCS M6-1 x 60 8.8 ZN			
*28	81198	1	Screw HHCS M12-1.75 x 80 8.8 ZN			

* Use Loctite 262



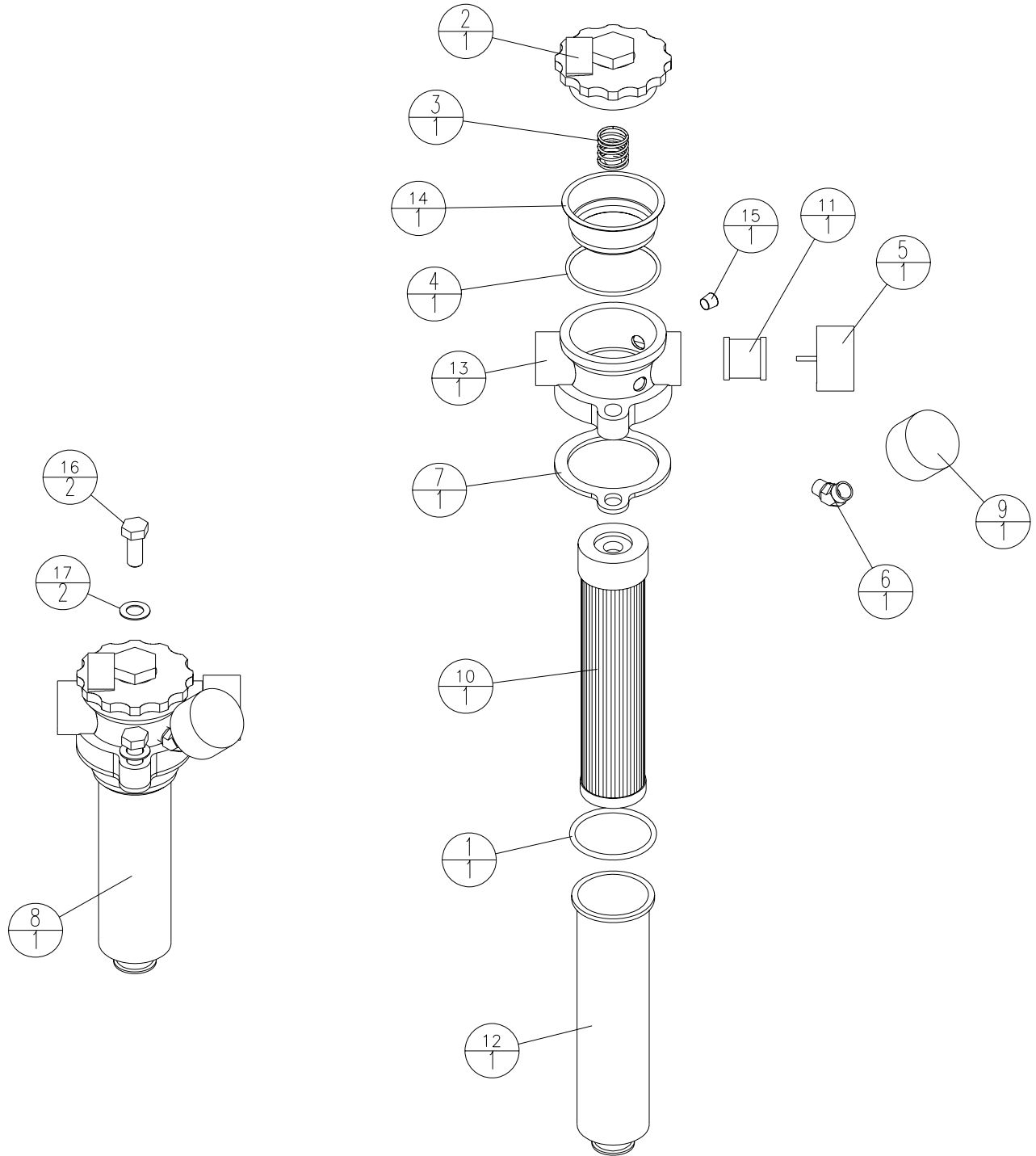


IN-TANK FILTER WP3100

Item	Part No.	Qty	Description	Descripción	Description	Descrizione
+1	32457	1	O-Ring Bowl Hyd Filter			
+2	32458	1	Cover Only Filter			
+3	32459	1	Spring Hyd Filter			
+4	32460	1	O-Ring Cover Hyd Filter			
+5	32461	1	Cover Breather			
+6	32462	1	Ftg EL 45 1/8MPT x 1/8FPT			
7	32463	1	Kit Filter In-Tank WP3100			
+8	32464	1	Gasket Hyd Filter			
+9	36987	1	Gauge Hyd Filter Indicator			
+10	36988	1	Element Hyd Filter 10M			
+11	36989	1	Element Air Breather 10M			
+12	36997	1	Bowl Filter			
+13	36998	1	Housing Head Filter			
+14	36999	1	Guard Splash Filter			
+15	46011	1	Plug 1/8 NPT Hex Soc Blk			
+16	47580	1	Ftg Hyd 3/4OR x 3/4 Hose			
*17	80618	2	Screw HHCS M10 -1.25 x 25 8.8 ZN			
18	80876	2	Washer WSHR M10 Curved ZN			

*Use Loctite 262

+ Included with 32463 Kit Filter In-Tank WP3100



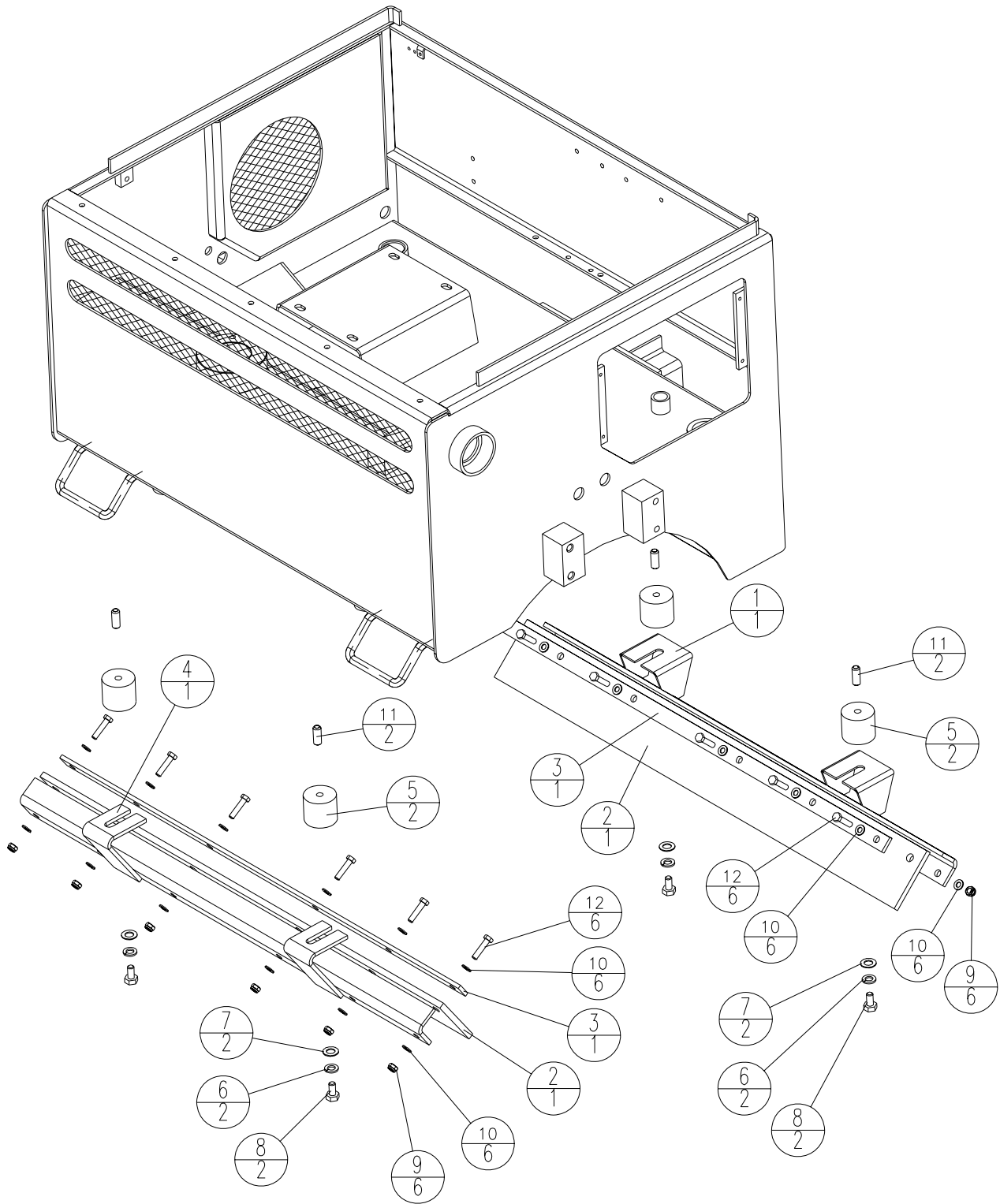


IN-TANK FILTER WP3100D

Item	Part No.	Qty	Description	Descripción	Description	Descrizione
+1	32457	1	O-Ring Bowl Hyd Filter			
+2	32458	1	Cover Only Filter			
+3	32459	1	Spring Hyd Filter			
+4	32460	1	O-Ring Cover Hyd Filter			
+5	32461	1	Cover Breather			
+6	32462	1	Ftg EL 45 1/8MPT x 1/8FPT			
+7	32464	1	Gasket Hyd Filter			
8	32528	1	Kit Filter In-Tank WP3100D			
+9	36987	1	Gauge Hyd Filter Indicator			
+10	36988	1	Element Hyd Filter 10M			
+11	36989	1	Element Air Breather 10M			
+12	36997	1	Bowl Filter			
+13	36998	1	Housing Head Filter			
+14	36999	1	Guard Splash Filter			
+15	46011	1	Plug 1/8 NPT Hex Soc Blk			
*16	80618	2	Screw HHCS M10-1.25 x 25 8.8 ZN			
17	80876	2	Washer WSHR M10 Curved ZN			

*Use Loctite 262

+ Included with 32428 Kit Filter In-Tank WP3100D

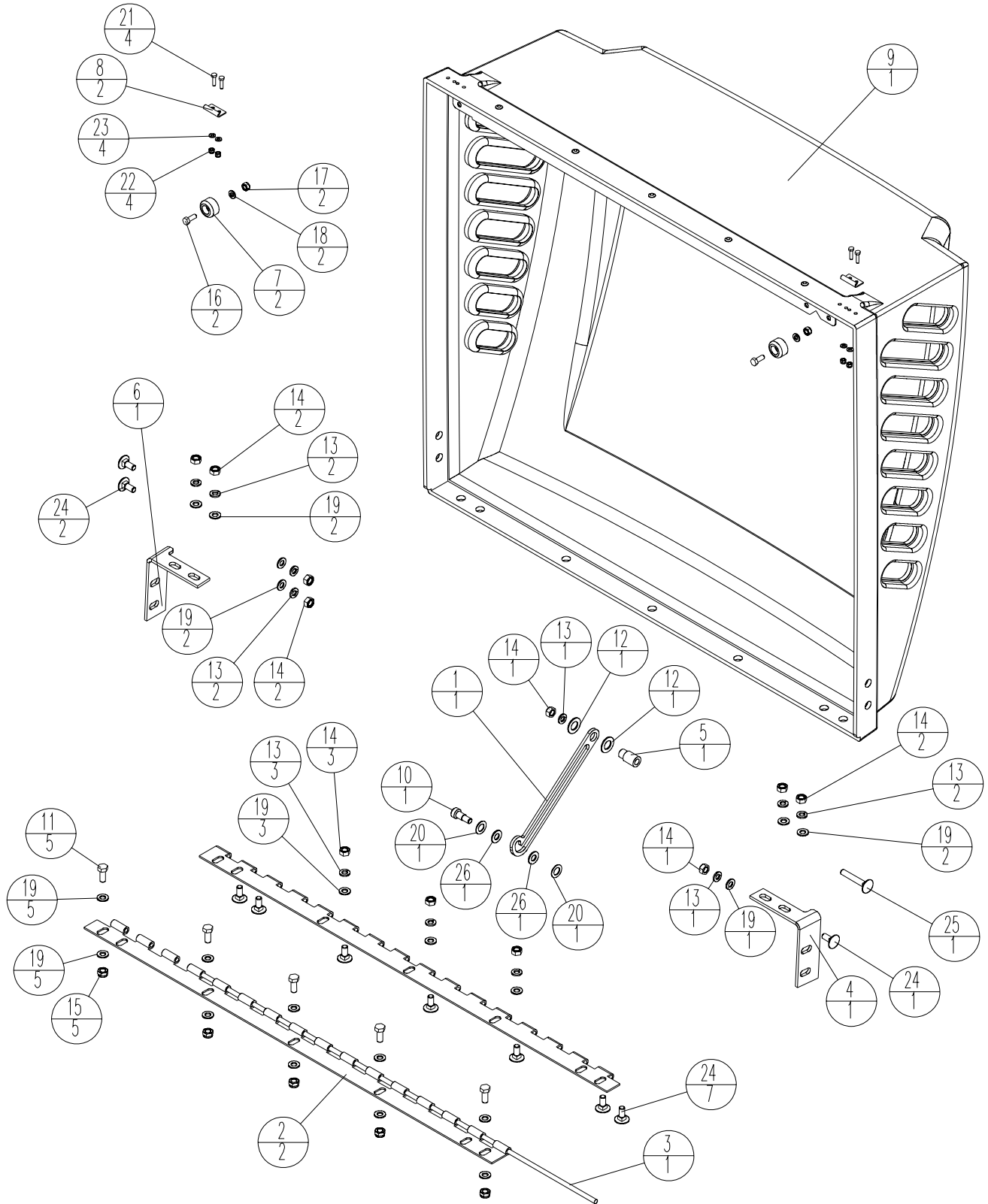




FRONT SCRAPERS WP3100, WP3100D

Item	Part No.	Qty	Description	Descripción	Description	Descrizione
1	43587-2	1	Weld Scraper Inner			
2	43591	2	Scraper 3/8 x 4 x 35,50			
3	43596-2	2	Backer Scraper			
4	43597-2	1	Weld Scraper Outer			
5	47382	4	Shockmount			
6	80805	4	Washer WSHRL M12 Split ZN			
7	80807	4	Washer WSHR Flat M12 x 24 ZN			
*8	80808	4	Screw HHCS M12-1.75 x 20 8.8 ZN			
9	80817	12	Nut NUTNY M8-1.25 ZN			
10	80857	24	Washer WSHR Flat M8 x 16 ZN			
*11	80874	4	Screw SHSS M12-1.75 x 30 45H ZN			
12	80892	12	Screw HHCS M8-1.25 x 35 8.8 ZN			

*Use Loctite 262

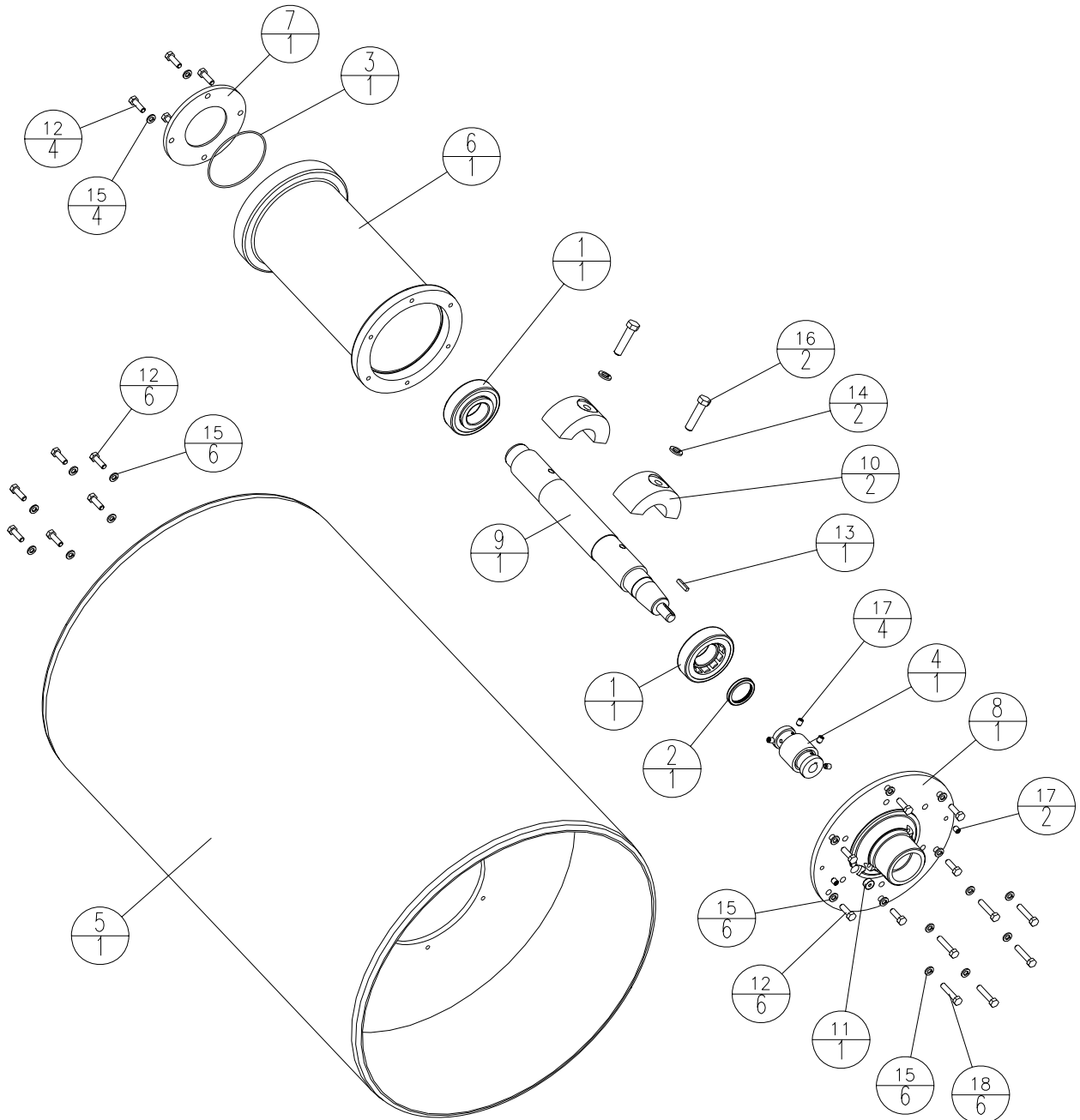




HOOD WP3100, WP3100D

Item	Part No.	Qty	Description	Descripción	Description	Descrizione
1	39700-2	1	Link Guide Hood			
2	39701-2	2	Hinge Leaf 1 x 32			
3	39702	1	PIN SST ¼ OD x 31.75 LG			
4	39708-2	1	Bracket Hood Pivot RH			
5	39736-2	1	Spacer Hood Link			
6	39755-2	1	Bracket Hood Pivot LH			
7	41016	2	Bumper Rbr 1 x 9/16			
*8	47374	2	Keeper Draw Lockable			
9	50757	1	Subasm Hood Plastic			
10	80285	1	Bolt SHSHB 3/8 x ½ Blk			
*11	80406	5	Screw HHCS M8-1.25 x 20 8.8 ZN			
12	80807	2	Washer WSHRL M12 x 24 Split ZN			
13	80812	11	Washer WSHRL M8 Split ZN			
14	80814	11	Nut NUTFX M8-1.25 ZN			
15	80817	5	Nut NUTNY M8-1.25 ZN			
16	80836	2	Screw HHCS M6-1 x 16 8.8 ZN			
17	80851	2	Nut NUTNY M6-1 ZN			
18	80856	2	Washer WSHR Flat M6 x 12 ZN			
19	80857	20	Washer WSHR Flat M8 x 16 ZN			
20	80876	2	Washer WSHR M10 Curved ZN			
21	80877	4	Screw HHCS M4-7 x 16 8.8 ZN			
22	80878	4	Nut NUTNY M4-0.7 ZN			
23	80880	4	Washer WSHR Flat M4 x 9 ZN			
24	80958	10	CRBLTM M8-1.25 x 20 ZN			
25	80959	1	CRBLTM M8-1.25 x 50 4.6 ZN			
26	80960	2	Washer WSHR 3/8ID x ¾OD x .06Thk Nylon			

*Use Loctite 262

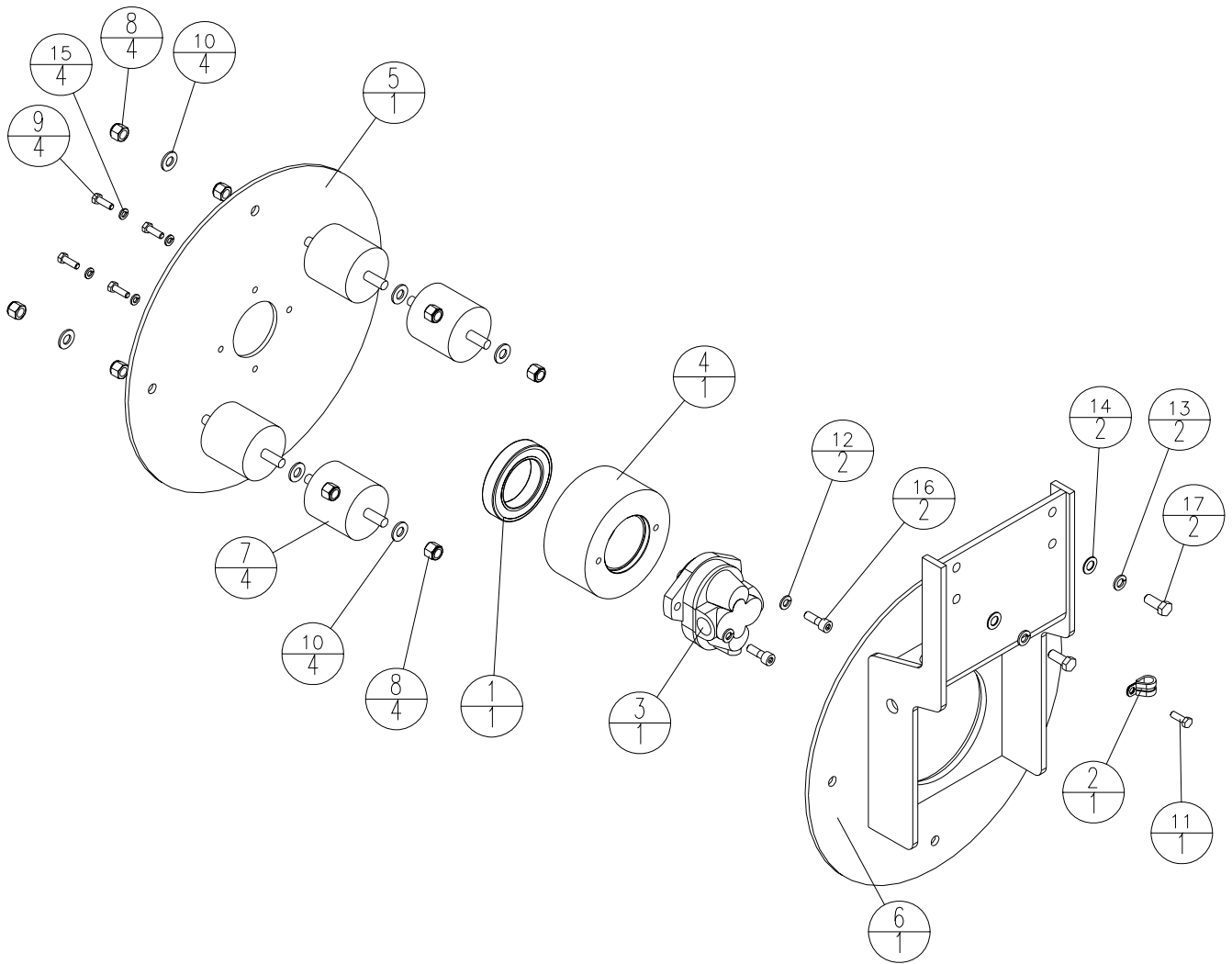




FRONT DRUM/ECCENTRIC WP3100, WP3100D

Item	Part No.	Qty	Description	Descripción	Description	Descrizione
1	32279	2	Bearing Roller			
2	32291	1	Seal Lip 1.50 ID x 1.878 OD			
3	32292	1	O-Ring 4.00 ID x 3/32 CS			
4	41014	1	Coupling ASM Eccentric			
5	43556-2	1	Drum Weld /Machine Front			
6	43560	1	Eccentric Tube Mach			
7	43561	1	Cap Ecc. Hsg LH			
8	43562	1	Cap Bearing Front RH Mach			
9	43567	1	Shaft Eccentric			
10	43568	2	Weight Eccentric WP3100			
11	46732	1	Plug 3/8 NPT Hex Soc Blk			
*12	80087	16	Screw HHCS M8-1.25 x 25 8.8 ZN			
13	80595	1	Key SQ 3/16 x 1			
14	80805	2	Washer WSHRL M12 Split ZN			
15	80812	22	Washer WSHRL M8 Split ZN			
*16	80844	2	Screw HHCS M12-1.75 x 50 8.8 ZN			
17	80868	6	Screw SHSS M8 x 10 Blk			
*18	80869	6	Screw HHCS M8-1.25 x 40 8.8 ZN			

*Use Loctite 262

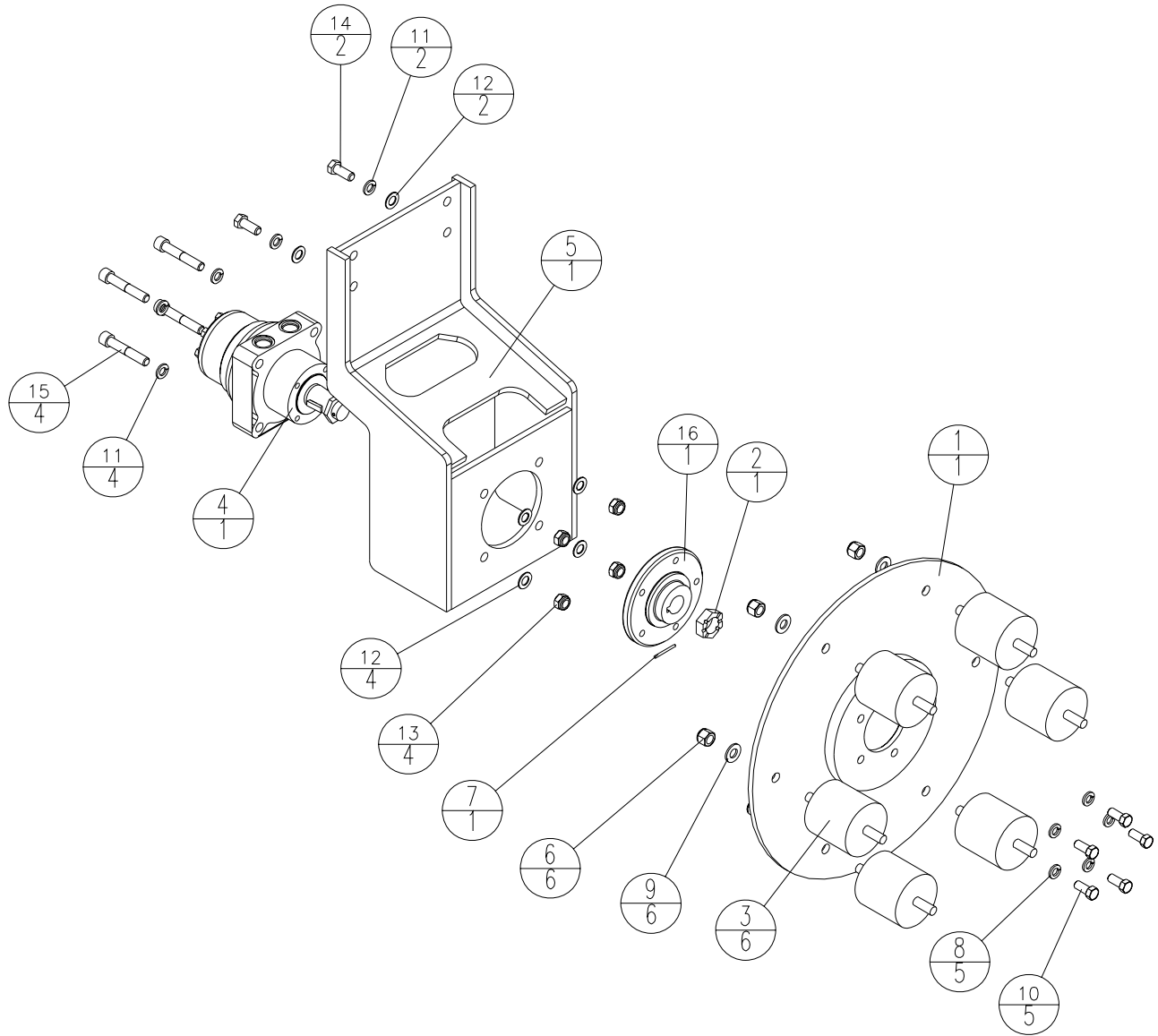




FRONT HANGER ECCENTRIC WP3100, WP3100D

Item	Part No.	Qty	Description	Descripción	Description	Descrizione
1	32280	1	Bearing Ball 2.7559 ID x 4.3307 OD			
2	35448	1	Clamp 5/8 Rubber Loop			
3	39810	1	Motor Eccentric w/Drain			
4	43557-2	1	Housing Drum Bearing			
5	43564-2	1	Plate S-Mount Front RH			
6	43579-2	1	Weld Hanger Front RH			
*7	47368	4	Shockmount 78 Duro			
8	80051	8	Nut NUTNY 1/2-13 ZN			
*9	80087	4	Screw HHCS M8-1.25 x 25 8.8 ZN			
10	80343	8	Washer WSHR SAE 1/5 ZN			
*11	80802	1	HWHST M8-1.25 x 25 TY-D ZN			
12	80804	2	Washer WSHRL M10 Split ZN			
13	80805	2	Washer WSHRL M12 Split ZN			
14	80807	2	Washer WSHR Flat M12 x 24 ZN			
15	80812	4	Washer WSHRL M8 Split ZN			
*16	80872	2	Screw SHSS M10-1.5 x 30 8.8 ZN			
*17	80873	2	Screw HHCS M12-1.75 x 30 10.9 ZN			

*Use Loctite 262

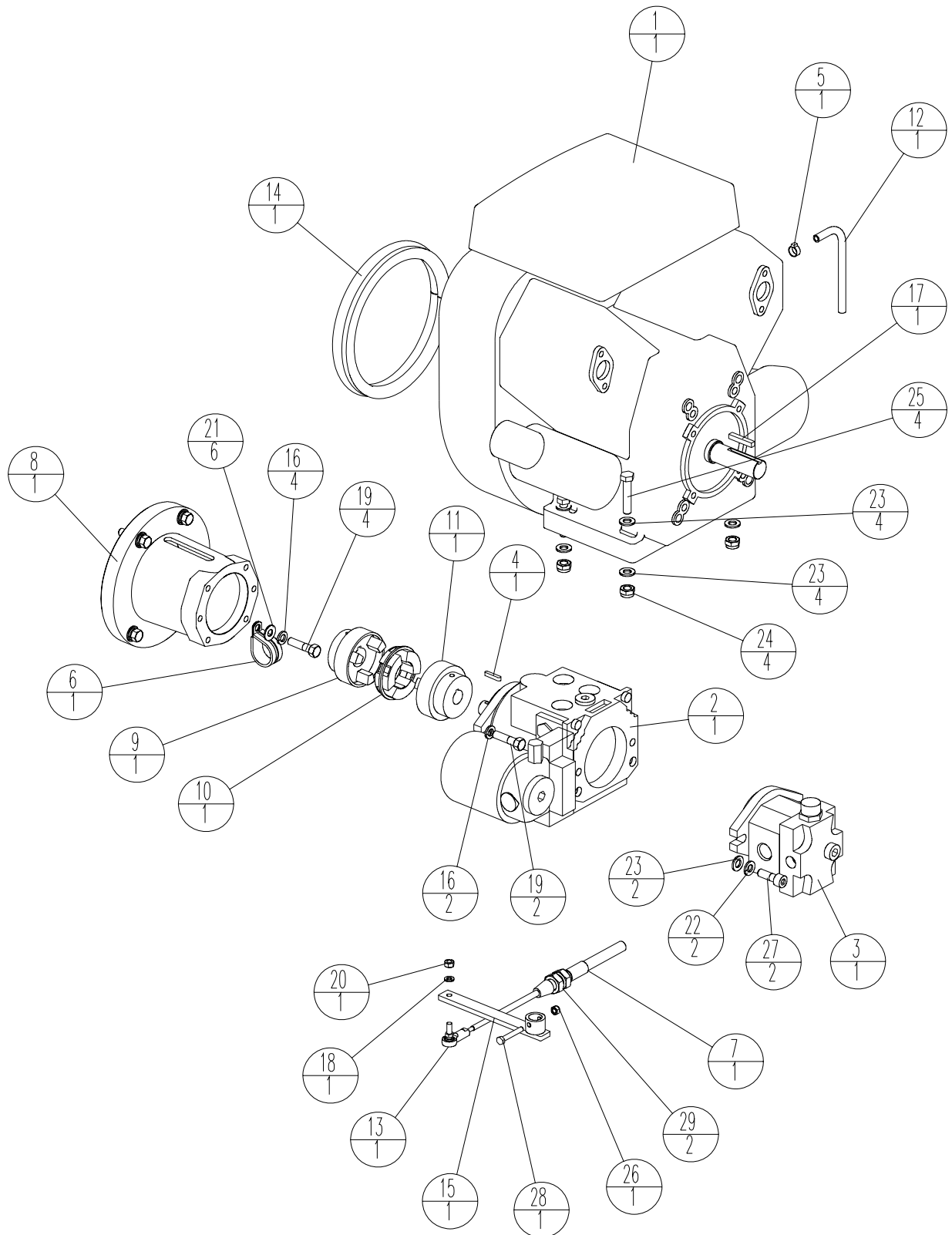




FRONT HANGER DRIVE WP3100, WP3100D

Item	Part No.	Qty	Description	Descripción	Description	Descrizione
1	43683-2	1	Weld Drive Plate Front LH			
2	46729	1	Nut 1-20			
*3	47368	6	Shockmount 78 Duro			
4	50122	1	Motor Hyd Geroter 15.14CIR 2500PSI			
5	50131-2	1	Weld Hanger LH Front			
6	80051	6	Nut NUTNY 1/2-13 ZN			
*7	80316	2	PINCT 1/8 x 1-1/2 ZN			
8	80335	5	Washer WSHRL 7/16 Med Split ZN			
*9	80343	6	Washer WSHR SAE 1/2 ZN			
10	80594	5	Screw HHCS 7/16-20 x 1 GR5 ZN			
*11	80805	6	Washer WSHRL M12 Split ZN			
12	80807	6	Washer WSHR Flat M12 x 24 ZN			
13	80830	4	Nut NUTNY M12-1.75 ZN			
14	80873	2	Screw HHCS M12-1.75 x 30 10.9 ZN			
15	80945	4	Screw SHCS M12-1.75 x 70 8.8 ZN			
16	43551R	1	Hub Wheel Motor Mach.			

*Use Loctite 262

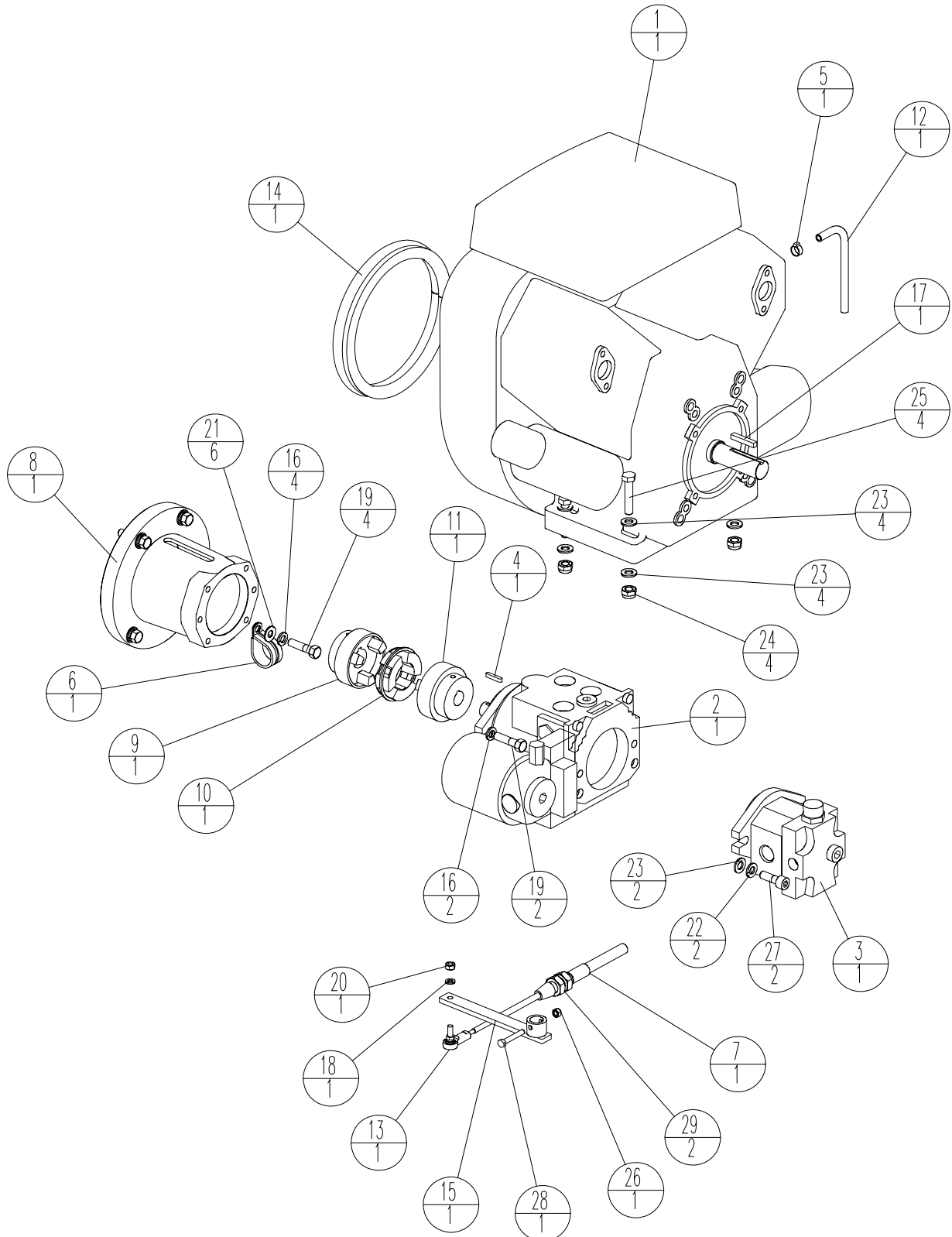




POWER PACK 18 HP HONDA

Item	Part No.	Qty	Description	Descripción	Description	Descrizione
1	30348	1	Engine 18 HP Honda			
2	32532	1	Pump Piston Hyd			
2a	32530	1	Pump Piston+Gear			
3	32533	1	Pump Gear+Divider			
4	32701	1	Key Bondioli .188			
5	34089	1	Clamp Hose #4 SST			
6	36732	1	Clamp Loop 1.25			
7	38602	1	Cable Fwd/Rvs			
8	39093	1	Adaptor Pump/Motor			
9	39094	1	Coupling 1 ID x ¼ Key			
10	39096	1	Insert Coupling			
11	39646	1	Coupling .75 ID x .188 Key			
12	46186	1	Hose ¼ Low Pressure			
13	50114	1	Rod End .25			
14	50123	1	Seal 7.08in RS-132			
15	50773-2	1	Weld Lever Pump			
16	80058	6	Washer WSHRL 3/8 Med Split ZN			
17	80061	1	Key SQ ¼ x 1.50 Class 1 Pln			
18	80116	1	Washer WSHRL ¼ Med Split ZN			
19	80176	6	Screw HHCS 3/8-16 x 1 ½ GR2 ZN			
20	80237	1	Nut NUTFX ¼-28 ZN			
21	80342	6	Washer WSHR SAE 3/8 ZN			
22	80804	2	Washer WSHRL M10 Split ZN			
23	80806	10	Washer WSHR Flat M10 x 20 ZN			
24	80833	4	Nut NUTNY M10-1.5 ZN			
*25	80838	4	Screw HHCS M10-1.5 x 50 8.8 ZN			

*Loctite 262

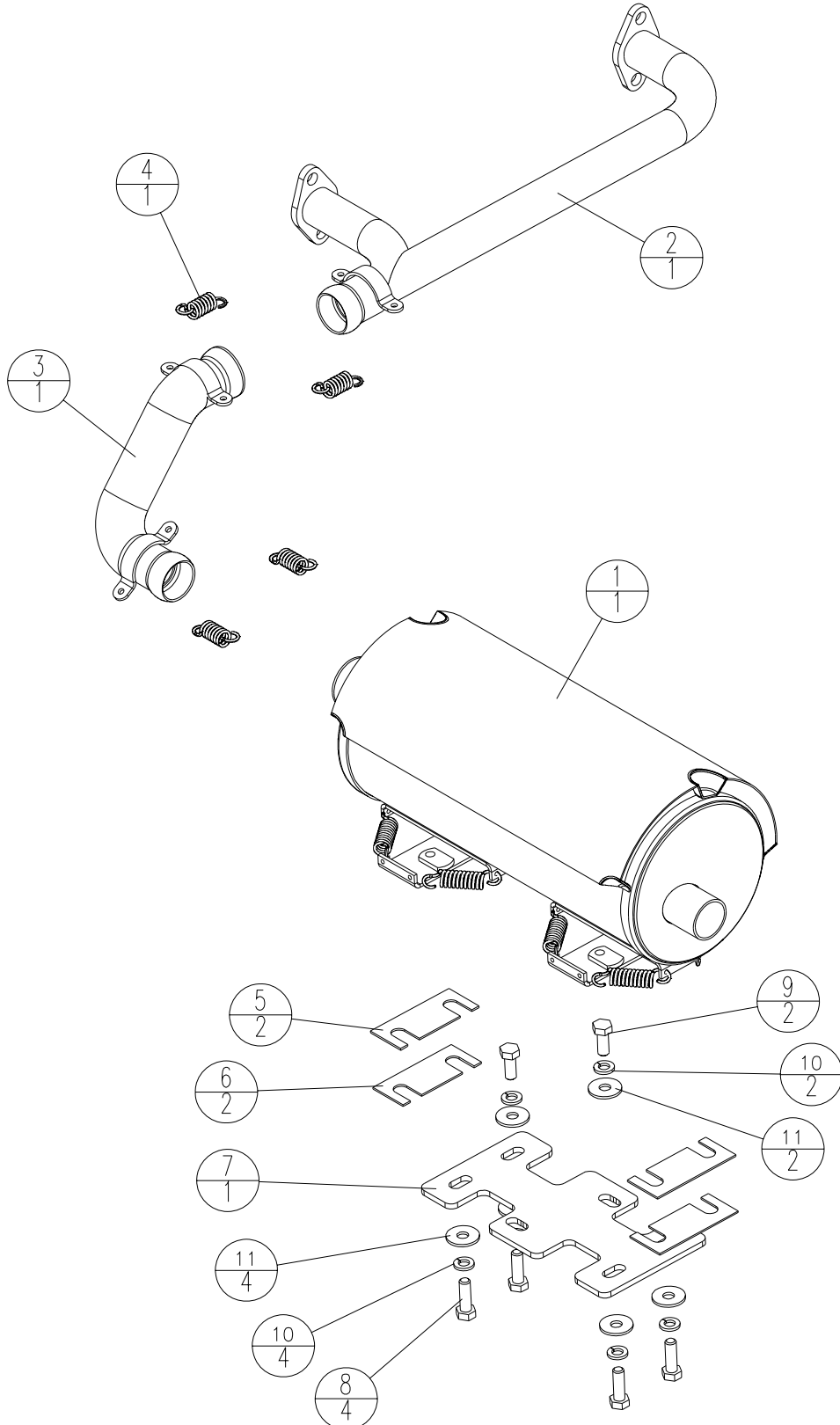




POWER PACK 18 HP HONDA

Item	Part No.	Qty	Description	Descripción	Description	Descrizione
26	80851	1	Nut NUTNY M6-1 ZN			
*27	80872	2	Screw SHCS M10-1.5 x 30 8.8 ZN			
*28	80947	1	Screw HHCS M6-1 x 40 8.8 ZN			
29	81094	2	Nut NUTFX 5/8-18 ZN			

*Loctite 262

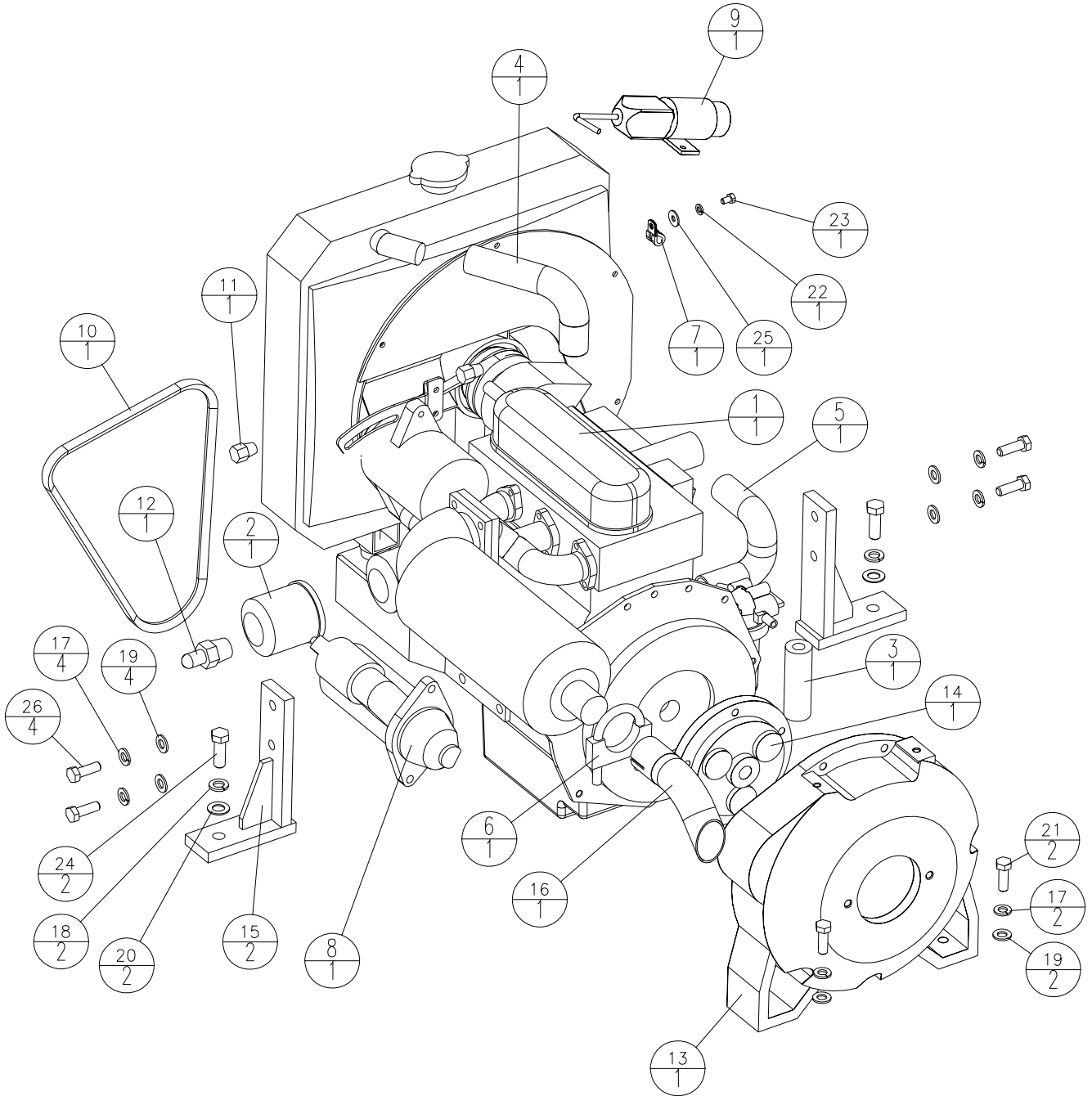




EXHAUST HONDA

Item	Part No.	Qty	Description	Descripción	Description	Descrizione
1	31345	1	Muffler GX610			
2	31346	1	Manifold GX610			
3	31347	1	Elbow Muffler GX610			
4	31348	1	Set Spring Muffler			
5	45896-2	2	Shim Muffler 16GA			
6	45897-2	2	Shim Muffler 11GA			
7	45898-2	1	Plate Mount Muffler			
*8	80087	4	Screw HHCS M8-1.25 x 25 8.8 ZN			
*9	80406	2	Screw HHCS M8-1.25 x 20 8.8 ZN			
10	80812	6	Washer WSHRL M8 Split ZN			
11	80813	6	Washer WSHR Flat M8 x 24 ZN			

*Use Loctite 262

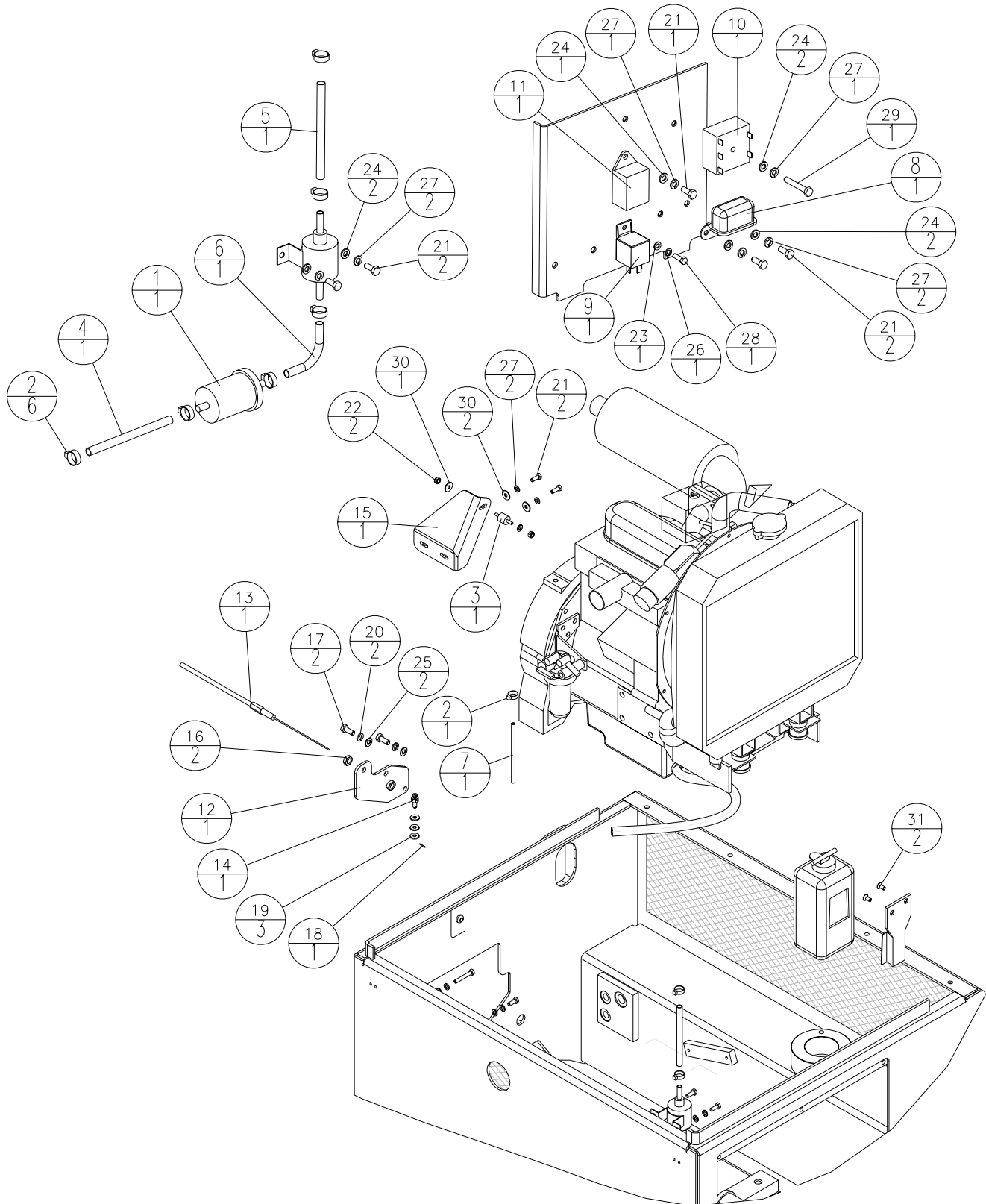




POWER PACK KUBOTA WP3100D

Item	Part No.	Qty	Description	Descripción	Description	Descrizione
1	30429	1	Engine Kubota 20HP Diesel			
2	31369	1	Oil Filter			
3	31371	1	Element Filter Fuel			
4	31373	1	Water Pipe Upper			
5	31374	1	Water Pipe Lower			
6	36779	1	Clamp, Pipe Muffler 1-1/2			
7	39509	1	Clamp 3/8 Rubber Loop			
8	48565	1	Starter 12VDC			
9	48566	1	Stop Solenoid			
10	48567	1	Belt Fan Radiator			
11	48568	1	Themoswitch			
12	48569	1	Oil Switch			
13	48570	1	Housing Hayes Pump-Motor			
14	48572	1	Coupling Hayes Pump-Motor			
15	50335-2	2	Weld Bracket Mounting Engine			
16	50403-2	1	Tailpipe Exhaust Kubota			
17	80804	6	Washer WSHRL M10 Split ZN			
18	80805	2	Washer WSHRL M12 Split ZN			
19	80806	6	Washer WSHR Flat M10 x 20 ZN			
20	80807	2	Washer WSHR Flat M12 x 24 ZN			
*21	80815	2	Screw HHCS M10-1.5 x 30 8.8 ZN			
22	80860	1	Washer WSHRL M6 Split ZN			
*23	80865	1	Screw HHCS M6-1 x 10 8.8 ZN			
*24	81029	2	Screw HHCS M12-1.75 x 35 10.9 Blk ZN			
25	81181	1	Washer WSHR Flat M6 x 18 ZN			
*26	81199	4	Screw HHCS M10-1.25 x 30 8.8 ZN			

*Use Loctite 262

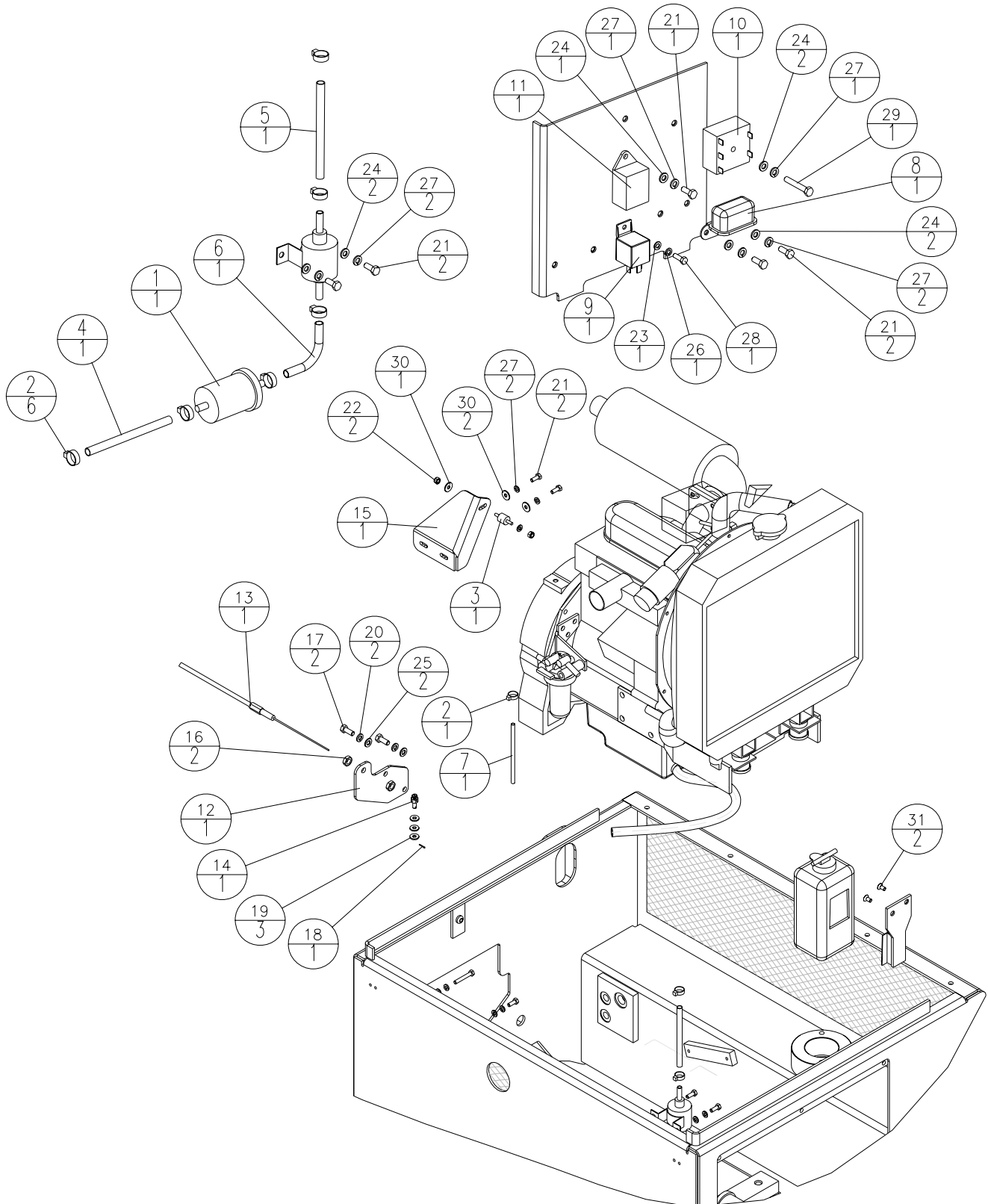




ELECTRIC PANEL/ENGINE COMPONENT WP3100D

Item	Part No.	Qty	Description	Descripción	Description	Descrizione
1	31370	1	Filter Fuel Inline			
2	34089	7	Clamp Hose #4 SST			
3	4/442	1	Isolator Cooler			
4	47633	1	Hose Fuel 5/16in ID 32.25in.			
5	47634	1	Hose Fuel 5/16in ID 11.00in.			
6	47635	1	Hose Fuel 5/16in ID 3.25in.			
7	47636	1	Hose Fuel 3/16in ID 47.5in.			
8	48364	1	Relay Power Pack 12VDC			
9	48401	1	Relay 70A			
10	48571	1	Relay Shutdown 12VDC 2 Sec			
11	48573	1	Timer Preheat Lamp			
12	50392	1	Plate Cable Throttle			
13	50402	1	Cable Throttle Kubota			
14	50413	1	Pivot Cable Stop			
15	50419	1	Weld Bracket Support Radiator			
16	80243	2	Nut NTEFXJ 3/8-24 ZN			
*17	80406	2	Screw HHCS M8-1.25 x 20 8,8 ZN			
18	80448	1	PINCT 1/6 x 1/2 ZN			
19	80571	3	Washer WSHR 1/4 SAE ZN			
20	80812	2	Washer WSHRL M8 Split ZN			
*21	80836	7	Screw HHCS M6-1 x 16 8,8 ZN			
22	80851	2	Nut NUTNY M6-1 ZN			
23	80855	1	Washer WSHR Flat M5 x 10 ZN			
24	80856	7	Washer WSHR Flat M6 x 12 ZN			
25	80857	2	Washer WSHR Flat M8 x 16 ZN			

*Use Loctite 262

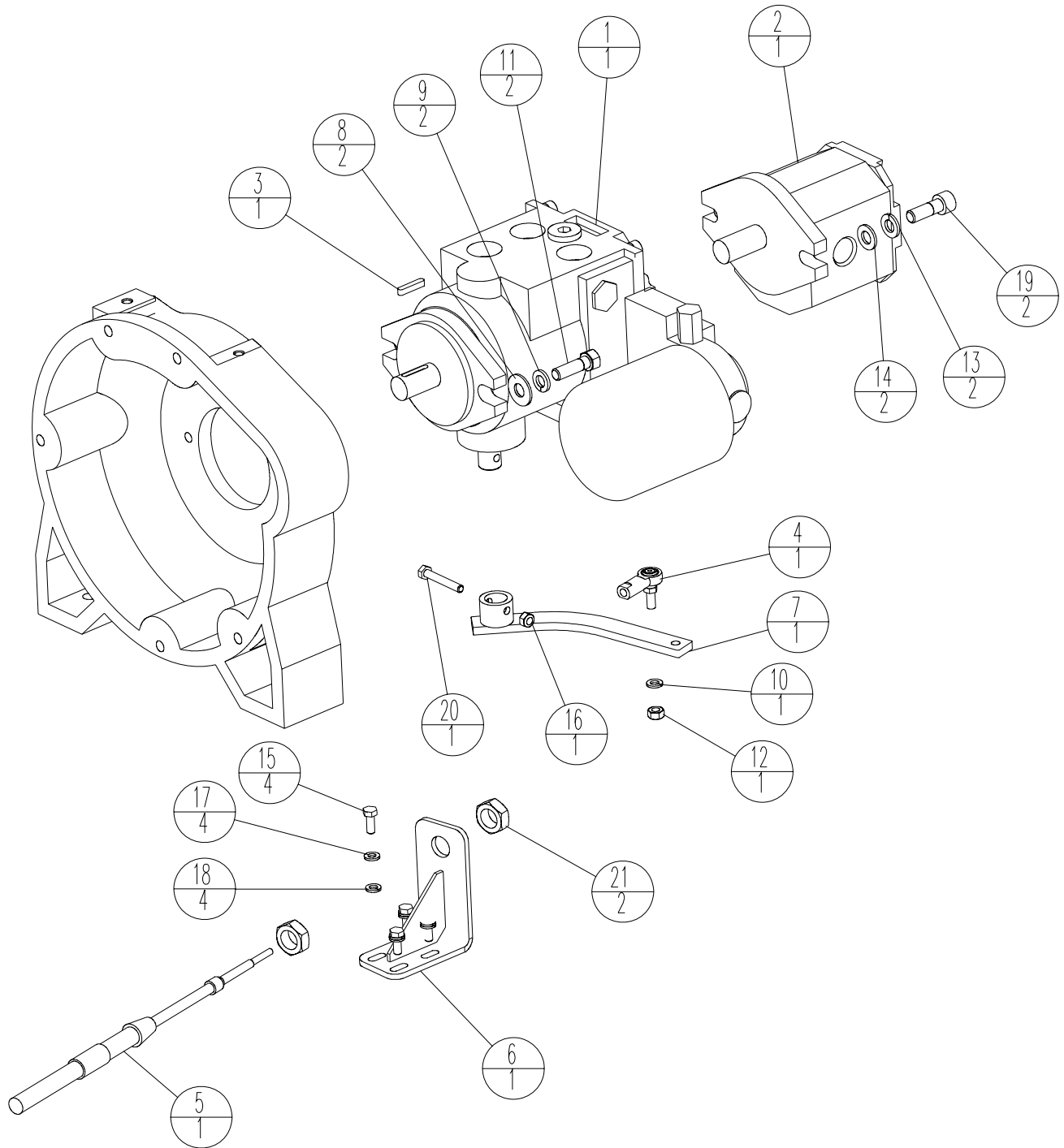




ELECTRIC PANEL/ENGINE COMPONENT WP3100D

Item	Part No.	Qty	Description	Descripción	Description	Descrizione
26	80859	1	Washer WSHRL M5 Split ZN			
27	80860	8	Washer WSHRL M6 Split ZN			
*28	80889	1	Screw HHCS M5-.8 x 16 8.8 ZN			
*29	80947	1	Screw HHCS M6-1 x 40 8.8 ZN			
30	81181	3	Washer WSHR Flat M6 x 18 ZN			
31	81197	2	Screw FHSCS M6-1 x 12 10.9 Blk			

*Use Loctite 262

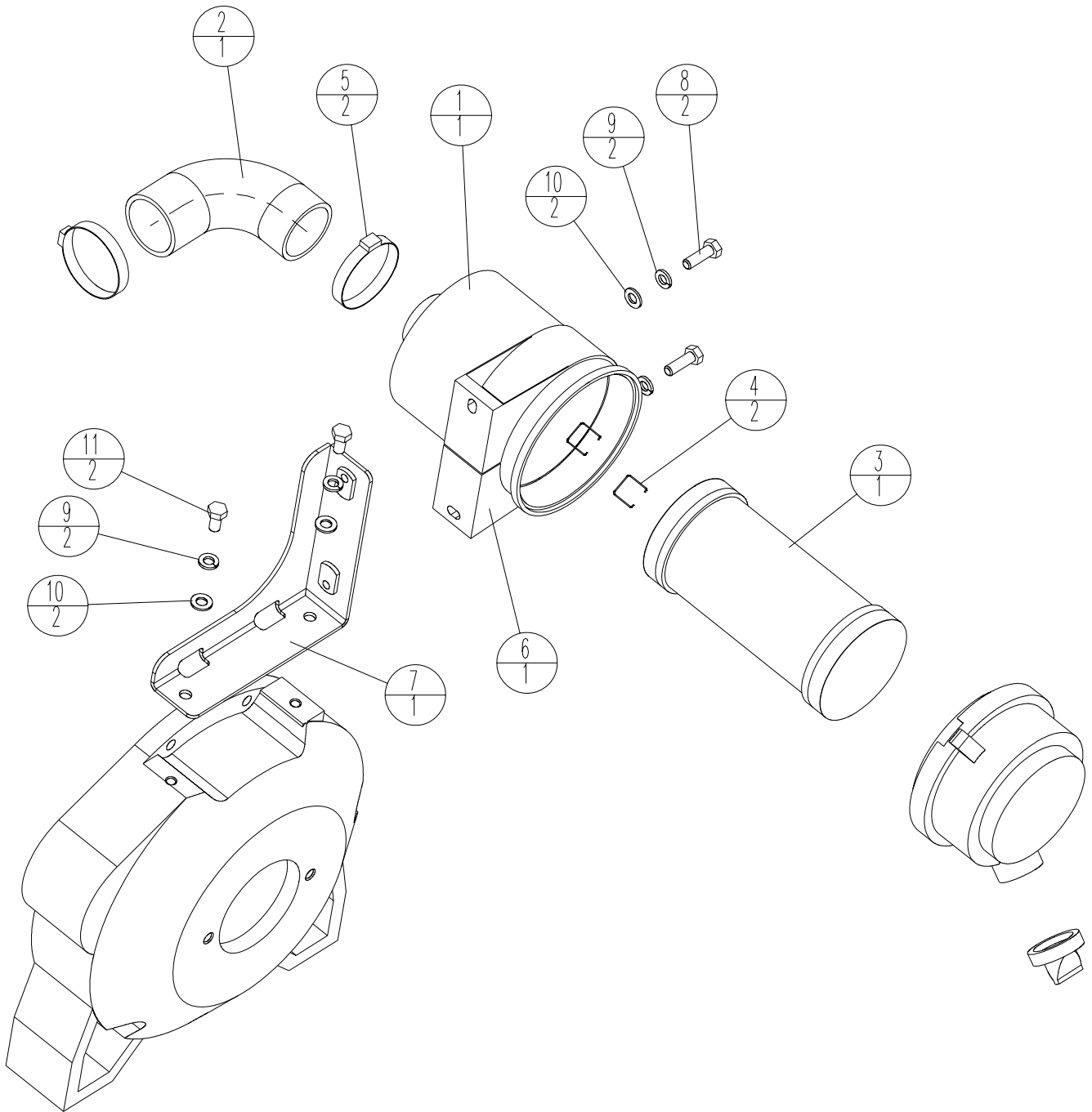




PUMP ASSEMBLY WP3100D

Item	Part No.	Qty	Description	Descripción	Description	Descrizione
1	32532	1	Pump Piston Hyd			
1a	32531	1	Pump Piston+Gear			
2	32534	1	Pump Gear Hyd .85cir			
3	32701	1	Key Bondioli .188			
4	50114	1	Rod End .25			
5	50401	1	Cable FWD/RVS			
6	50771-2	1	Weld Bracket Cable Pump			
7	50870-2	1	Weld Lever Pump			
8	80043	2	Washer WSHR WROT 3/8 ZN			
9	80058	2	Washer WSHRL 3/8 Med Split ZN			
10	80116	1	Washer WSHRL 1/4 Med Split ZN			
*11	80145	2	Screw HHCS 3/8-16 x 1-1/4 GR5 ZN			
12	80237	1	Nut NUTFX 1/4 -28 ZN			
13	80804	2	Washer WSHRL M10 Split ZN			
14	80806	2	Washer WSHR Flat M10 x 20 ZN			
*15	80836	4	Screw HHCS M6-1 x 16 8.8 ZN			
16	80851	1	Nut NUTNY M6-1 ZN			
17	80856	4	Washer WSHR Flat M6 x 12 ZN			
18	80860	4	Washer WSHRL M6 Split ZN			
*19	80872	2	Screw SHCS M10-1.5 x 30 8.8 ZN			
20	80947	1	Screw HHCS M6-1 x 40 8.8 ZN			
*21	81094	2	Nut NUTFX 5/8-18 ZN			

*Use Loctite 262

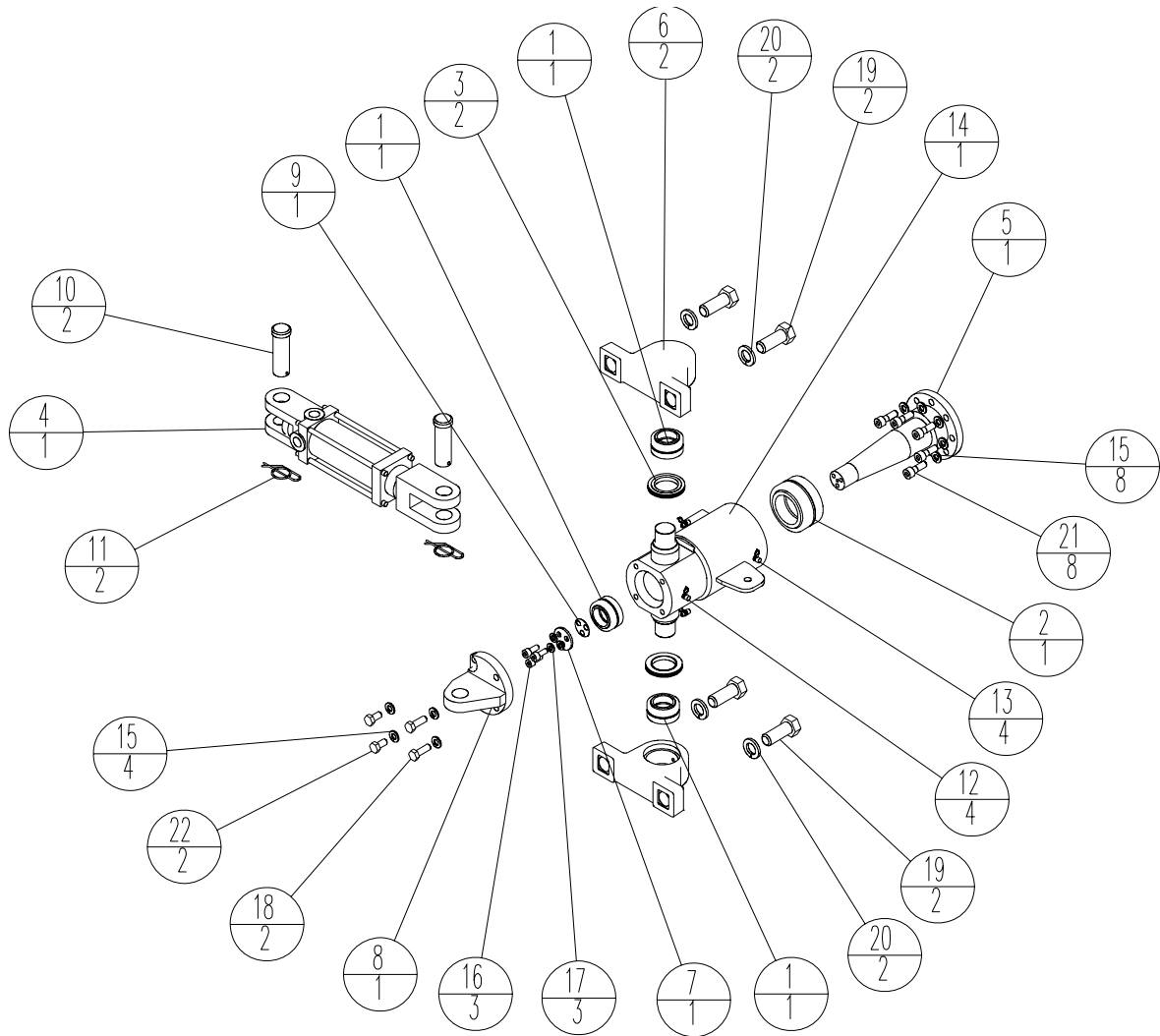




AIR FILTER WP3100D

Item	Part No.	Qty	Description	Descripción	Description	Descrizione
1	31372	1	Assembly Air Cleaner			
2	32659	1	Hose Air Cleaner			
3	36559	1	Filter Air, Primary			
4	36562	2	Latch Cover Air Cleaner			
5	39600	2	Clamp Hose 2" #28			
6	39911	1	Band, Air Cleaner Mounting			
7	50393-2	1	Weld Bracket Air Filter			
8*	80087	2	Screw HHCS M8-1.25 x 25 8.8 ZN			
9	80812	4	Washer WSHRL M8 Split ZN			
10	80857	4	Washer WSHR Flat M8 x 16 ZN			
11*	81183	2	Screw HHCS M8-1.25 x 16 8.8 ZN			

*Use Loctite 262

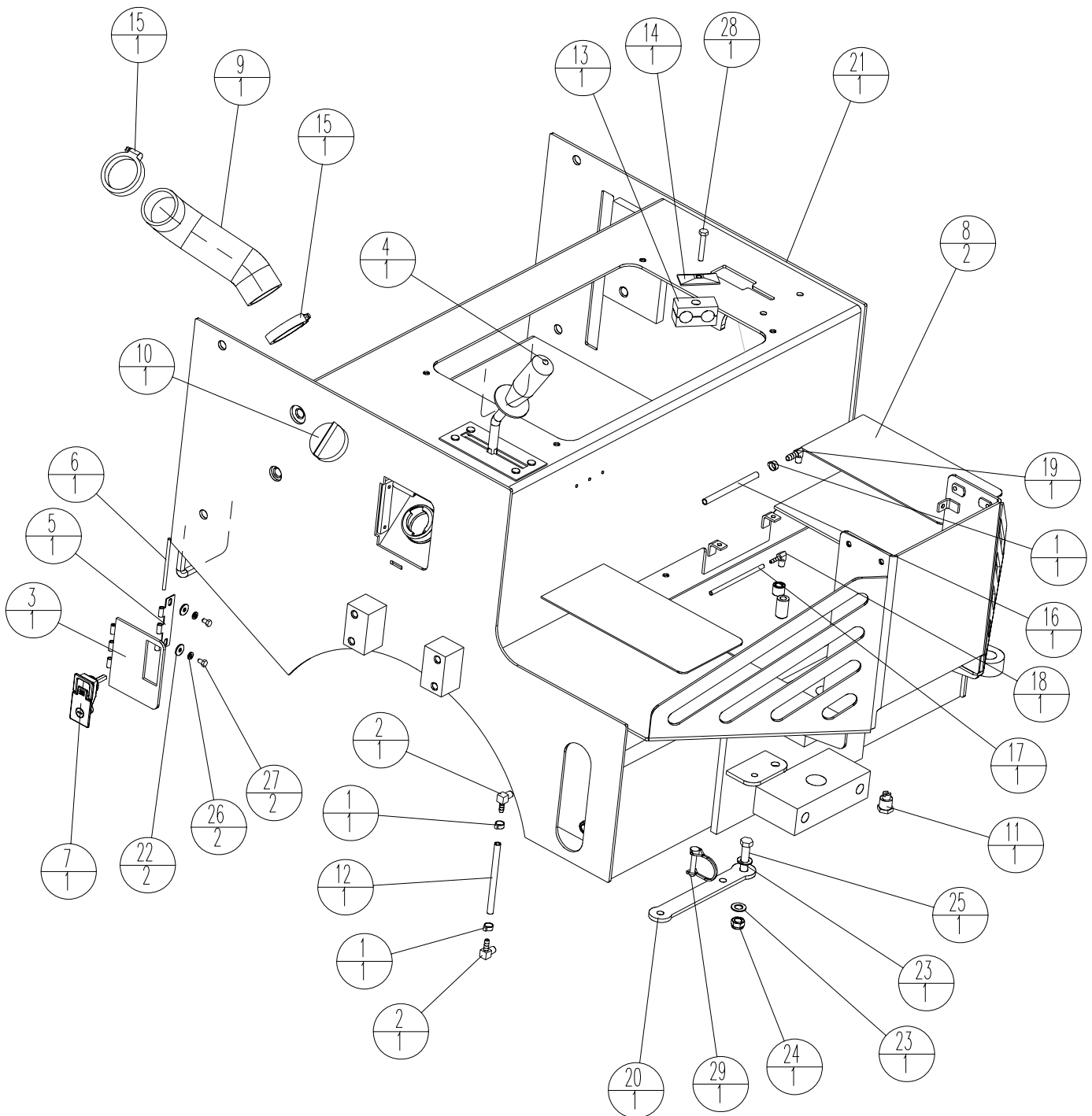




PIVOT WP3100, WP3100D

Item	Part No.	Qty	Description	Descripción	Description	Descrizione
1	32277	3	Bearing Spherical 1.25 ID			
2	32278	1	Bearing Spherical 2.00 ID			
3	32281	2	Seal Lip Triple 1.500			
4	39750	1	Cylinder Tie-Rod 2 x 4			
5	43517-2	1	Pin Pivot			
6	43518-2	2	Pillowblock			
7	43521	1	Retainer Pin			
8	43524-2	1	Weld Tab Hinge			
9	43658	1	Shim Pivot			
10	44203	2	Pin Clevis 1in			
11	44204	2	Rue Ring 1"			
12	46042	4	Fitting Grease 1/4-28 ZN			
13	47001	4	Cap Grease Fitting			
14	50738-2	1	Weld Pivot			
15	80804	12	Washer WSHRL M10 Split ZN			
*16	80810	3	Screw SHCS M8-1.25 x 20 8.8 ZN			
17	80812	3	Washer WSHRL M8 Split ZN			
*18	80815	2	Screw HHCS M10-1.5 x 30 8.8 ZN			
*19	80870	4	Screw HHCS M20-2.5 x 50 8.8 ZN			
20	80871	4	Washer WSHRL M20 Split ZN			
*21	80872	8	Screw SHCS M10-1.5 x 30 8.8 ZN			
*22	80886	2	Screw HHCS M10-1.5 x 20 8.8 ZN			

*Use Loctite 262

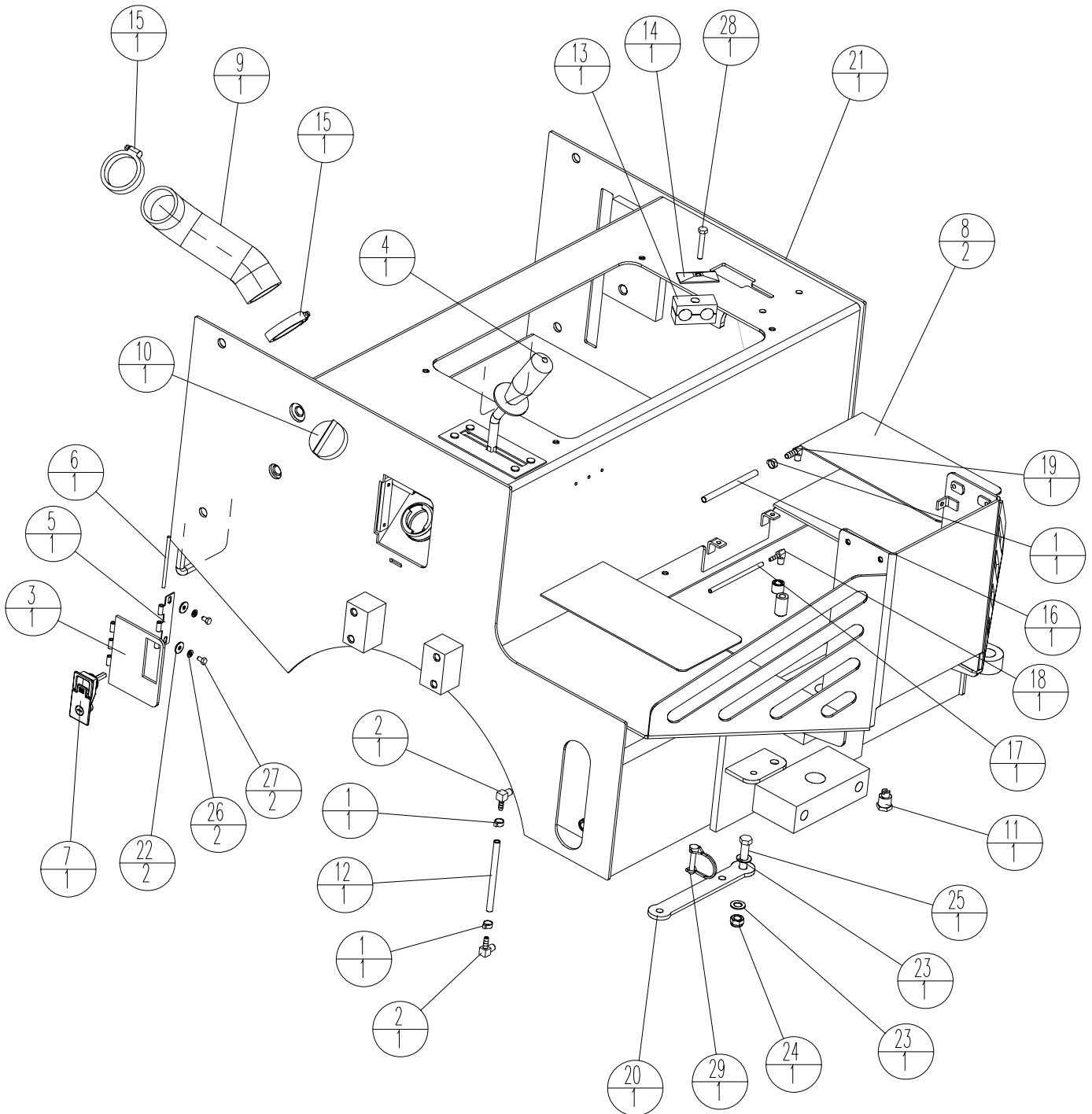




REAR FRAME WP3100D

Item	Part No.	Qty	Description	Descripción	Description	Descrizione
1	34089	3	Clamp Hose 5/8			
2	34486	2	Elbow 90 1/8NPT x 1/4H			
3	39718-2	1	Door Fuel Weld			
4	39738	1	Control Fwd/Rvs			
5	39747-2	1	Hinge Fuel Door 3in LG			
6	39748	1	Pin Fuel Door			
7	41023	1	Latch Fuel Door			
8	43674	2	Skid Tread 6 x 12			
9	44995	1	Hose Fill Fuel			
10	46059	1	Cap, Fuel Filler Neck			
11	46108	1	Plug Magn. 1/2 HXHD			
12	46897	1	Tube Teflon .25in x 5.12in LG			
13	47455	1	Clamp Split Dual Hose 21.3 21.3			
14	47456	1	Cover Plate Dual Hoses			
15	47511	2	Clamp Hose #36 SST			
16	47633	1	Hose Fuel 5/16in. ID 32.25in WP3100D			
16a	46982	1	Hose Fuel 1/4ID x 60in WP3100			
17	47636	1	Hose Fuel 3/16in. ID 47.5in WP3100D			
18	47640	1	Fitting Hyd 90 3 HB 1/8 NPT WP3100			
19	47641	1	Fitting Hyd 90 5 HB 1/8 NPT WP3100			
19a	34486	1	Fitting Hyd 90 4HB x 1/8NPT WP3100			
20	50737-2	1	Bar Locking			
21	50866-2	1	Weld Frame Rear			
22	80347	2	Washer WSHR WROT 1/4 ZN			
23	80807	2	Washer WSHR Flat M12 x 24 ZN			
24	80830	1	Nut NUTNY M12-1.75 ZN			

*Use Loctite 262

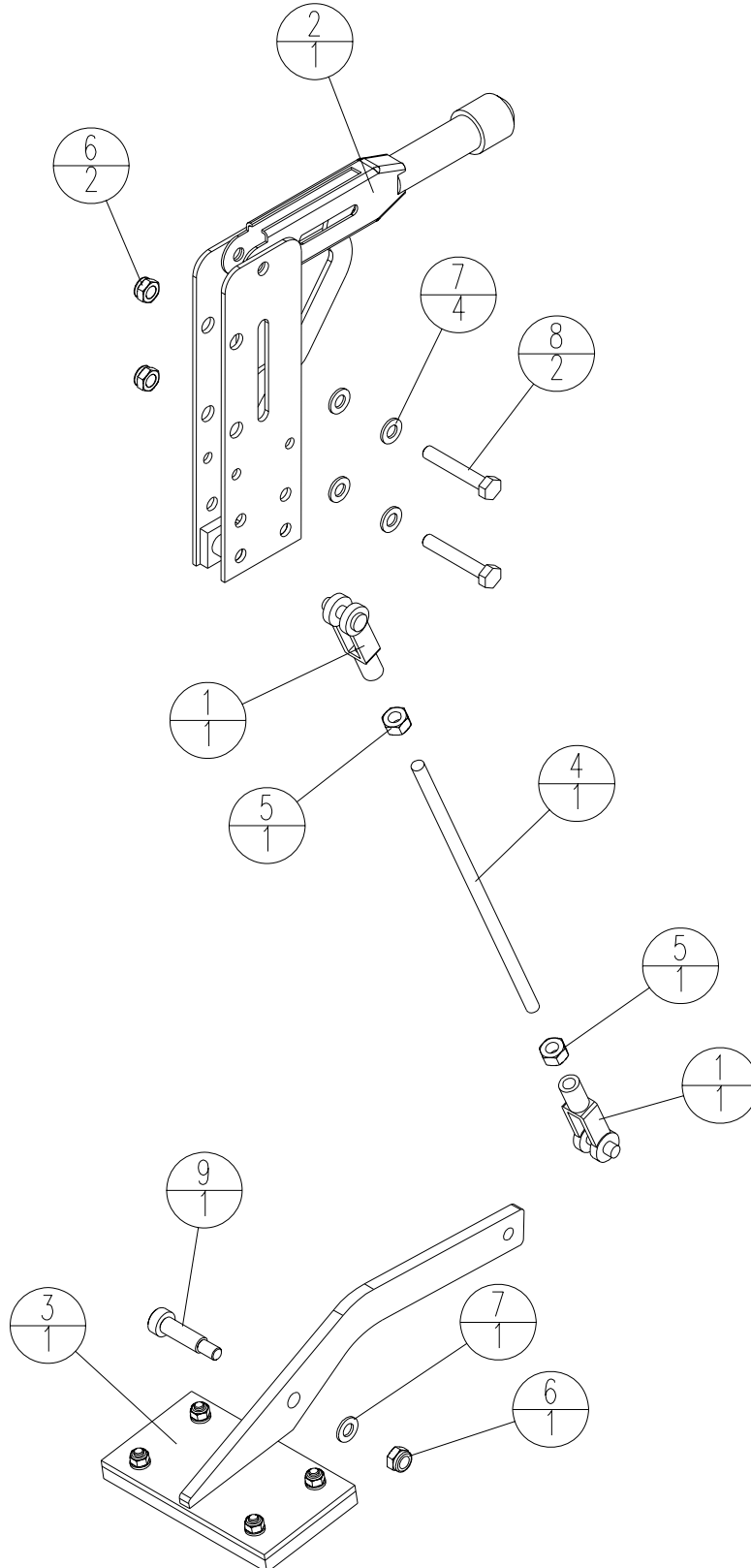




REAR FRAME WP3100D

Item	Part No.	Qty	Description	Descripción	Description	Descrizione
*25	80844	1	Screw HHCS M12-1.75 x 50 8.8 ZN			
26	80860	2	Washer WSHRL M6 Split ZN			
*27	80865	2	Screw HHCS M6-1 x 10 8.8 ZN			
*28	80883	1	Screw HHCS M8-1.25 x 50 8.8 ZN			
29	80962	1	Pin Snap Safety 5/16 ODX 8.8 ZN			

*Use Loctite 262

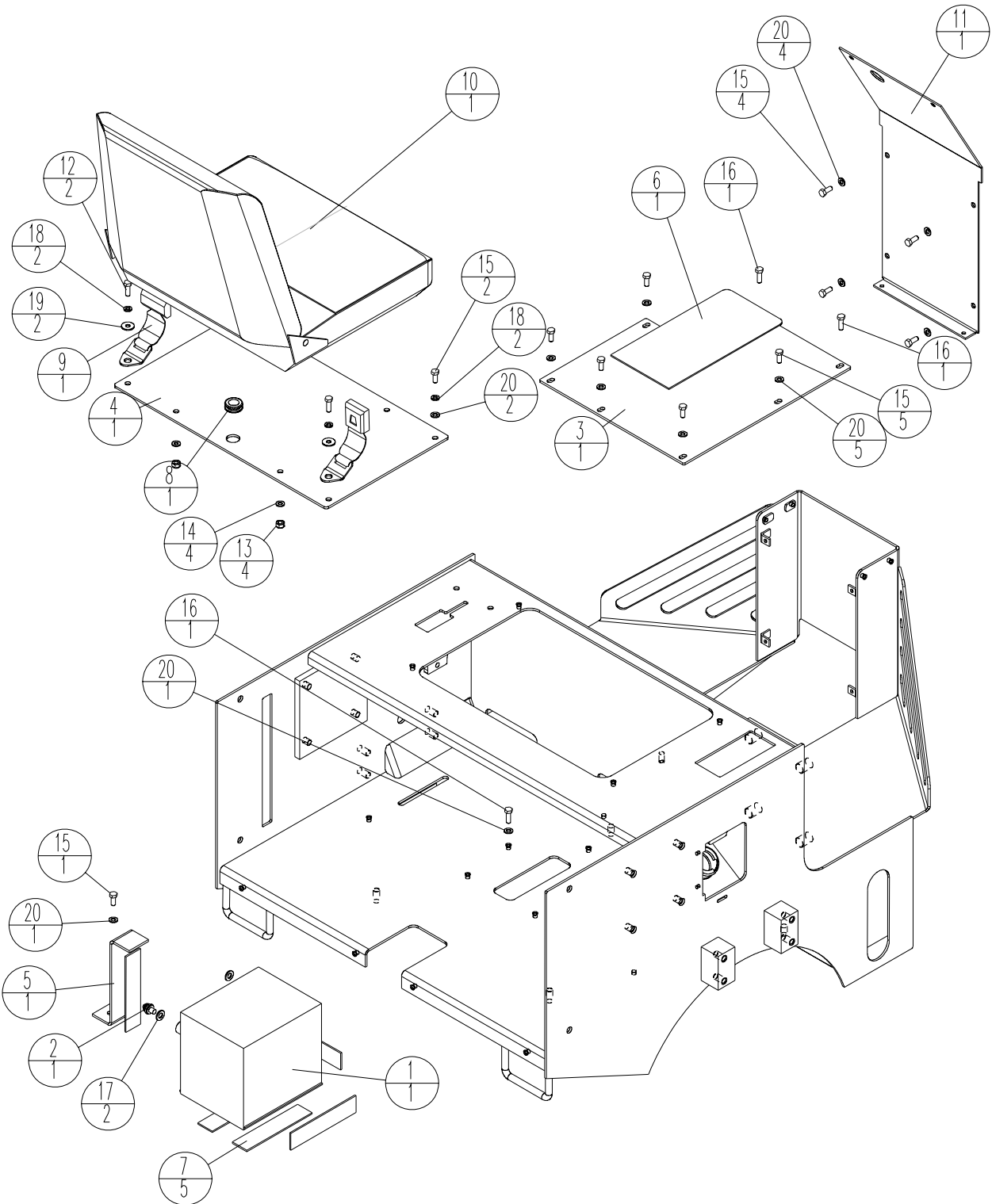




BRAKE WP3100, WP3100D

Item	Part No.	Qty	Description	Descripción	Description	Descrizione
1	35925	2	Clevis 5/16-24 x 5/16 Pin			
2	38095	1	Brake Parking			
3	43621-2	1	Subasm Brake Plate			
4	43625	1	THDRD 5/16-24 x 9.50 Plain			
5	80247	2	Nut NUTFX 5/16-24 ZN			
6	80817	3	Nut NUTNY M8-1.25 ZN			
7	80857	5	Washer WSHR Flat M8 x 16 ZN			
8	80883	2	Screw HHCS M8-1.25 x 50 8.8 ZN			
*9	80885	1	Bolt SHSHB 10MM x 30 x M8 12.9 Blk			

*Use Loctite 262

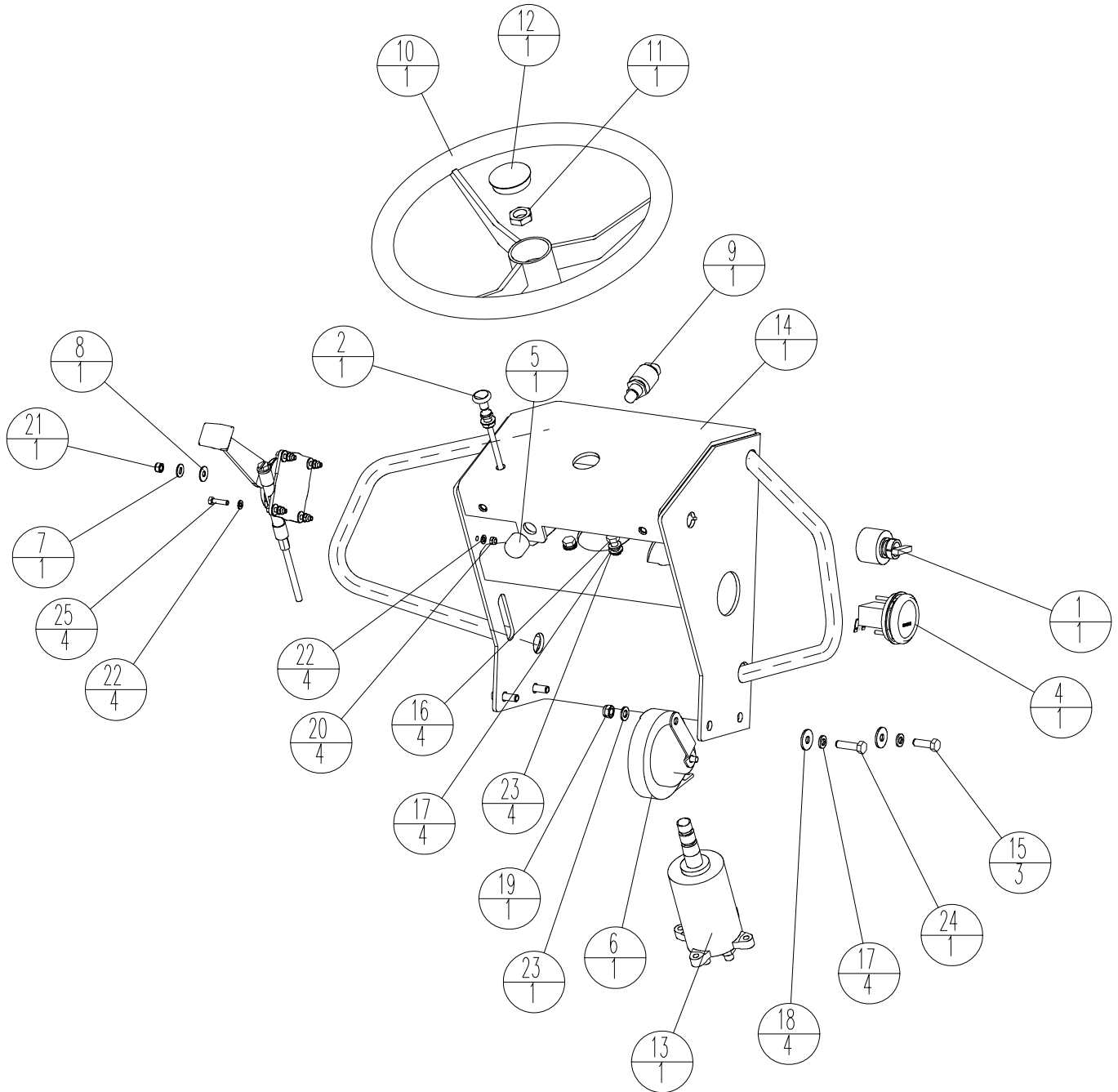




BATTERY/SEAT/COVERS WP3100, WP3100D

Item	Part No.	Qty	Description	Descripción	Description	Descrizione
1	38543	1	Battery 12v 540 CCA			
2	39355	1	Set Bolt Battery AVR/DDR			
3	39716-2	1	Panel Floor			
4	43530-2	1	Cover Seat			
5	43638-2	1	Strap Battery			
6	43674	1	Skid Tread 6 x 12			
7	47244	5	RBR 60 Duro 1.5 x 6.75			
8	47257	1	Grommet .69 ID x 1.00 GD			
9	47439	1	Seatbelt Lap ROPS			
10	48424	1	Seat Assy WWM1019 Switch			
11	50790-2	1	Cover Steering Lower			
*12	80087	2	Screw HHCS M8-1.25 x 25 8.8 ZN			
13	80114	4	Nut NUTNY 5/16-18 ZN			
14	80348	4	Washer WSHR WROT 5/16 ZN			
15	80406	12	Screw HHCS M8-1.25 x 20 8.8 ZN			
16	80802	3	HWHST M8-1.25 x 25 TY-D ZN			
17	80806	2	Washer WSHR Flat M10 x 20 ZN			
18	80812	4	Washer WSHRL M8 Split ZN			
19	80813	2	Washer WSHR Flat M8 x 24 ZN			
20	80857	13	Washer WSHR Flat M8 x 16 ZN			

*Use Loctite 262

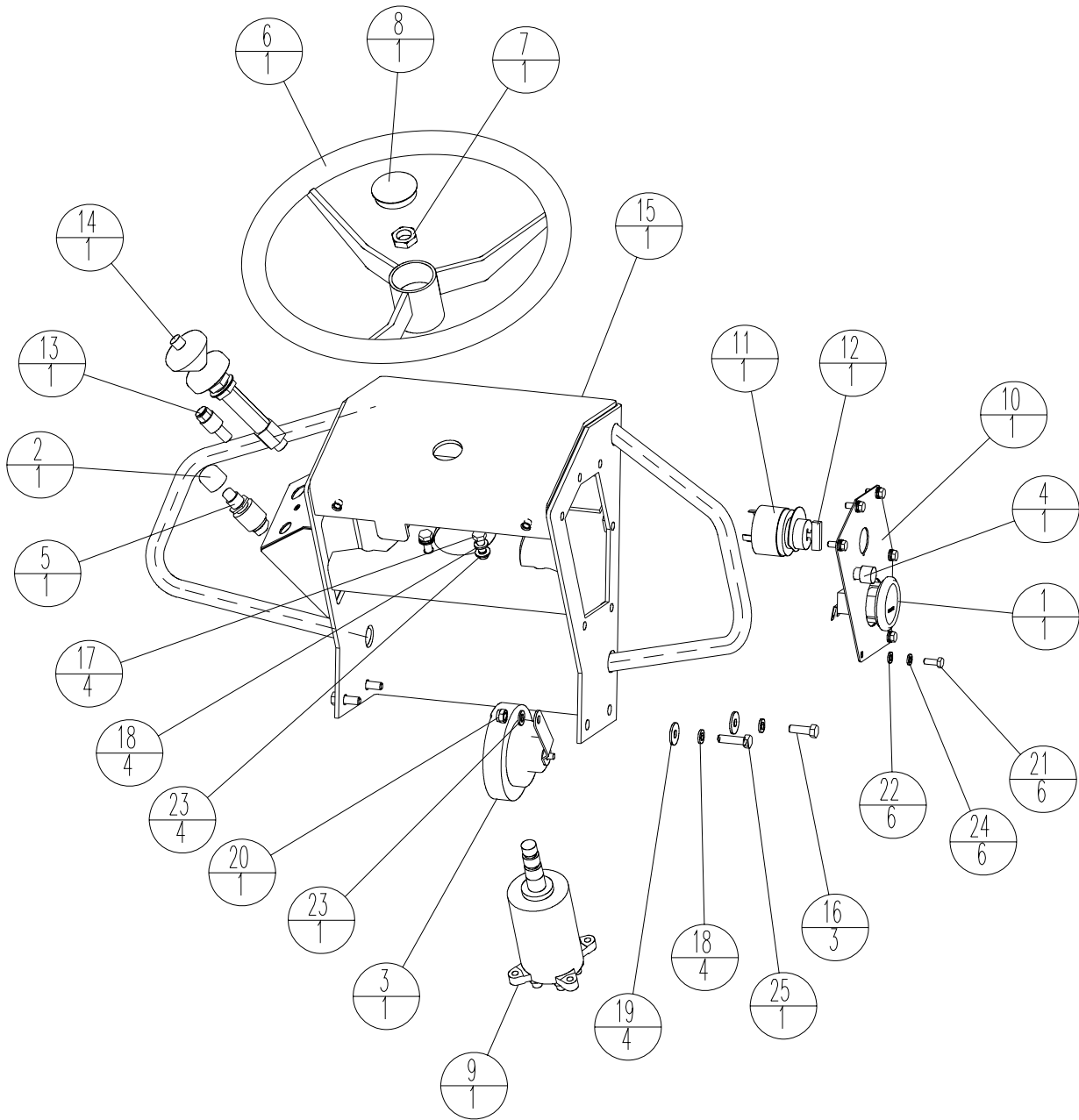




STEERING CONSOLE WP3100

Item	Part No.	Qty	Description	Descripción	Description	Descrizione
1	31276	1	Ignition Switch Honda			
1a	46363	1	Key Ignition			
2	31349	1	Assembly Cable Choke			
3	32350	2	Throttle Assembly			
4	36268	1	Hour Meter			
5	37079	1	Cap Waterproof Black			
6	38667	1	Horn 12V 125 dB			
7	39203	1	Washer WSHR Flattened Unidrum #14			
8	39204	1	Washer WSHR Nylon Unidrum #13			
9	39612	1	Switch Momentary Push			
10	41017	1	Wheel Steering			
11	46656	1	Nut M16-1.5			
12	47218	1	Cap Wheel Steering			
13	50124	1	Control Steering			
14	50786-2	1	Weld Steering Frame			
15*	80087	3	Screw HHCS M8-1.25 x 25 8.8 ZN			
16*	80406	4	Screw HHCS M8-1.25 x 20 8.8 ZN			
17	80812	8	Washer WSHRL M8 Split ZN			
18	80813	4	Washer WSHR Flat M8 x 24 ZN			
19	80817	1	Nut NUTNY M8-1.25 ZN			
20	80850	4	Nut NUTNY M5-.8 ZN			
21	80851	1	Nut NUTNY M6-1 ZN			
22	80855	8	Washer WSHR Flat M5 x 10 ZN			
23	80857	5	Washer WSHR Flat M8 x 16 ZN			
24*	80931	1	Screw HHCS M8-1.25 x 30 8.8 ZN			
25*	81002	4	Screw HHCS M5-.8 x 20 8.8 ZN			

*Use Loctite 262

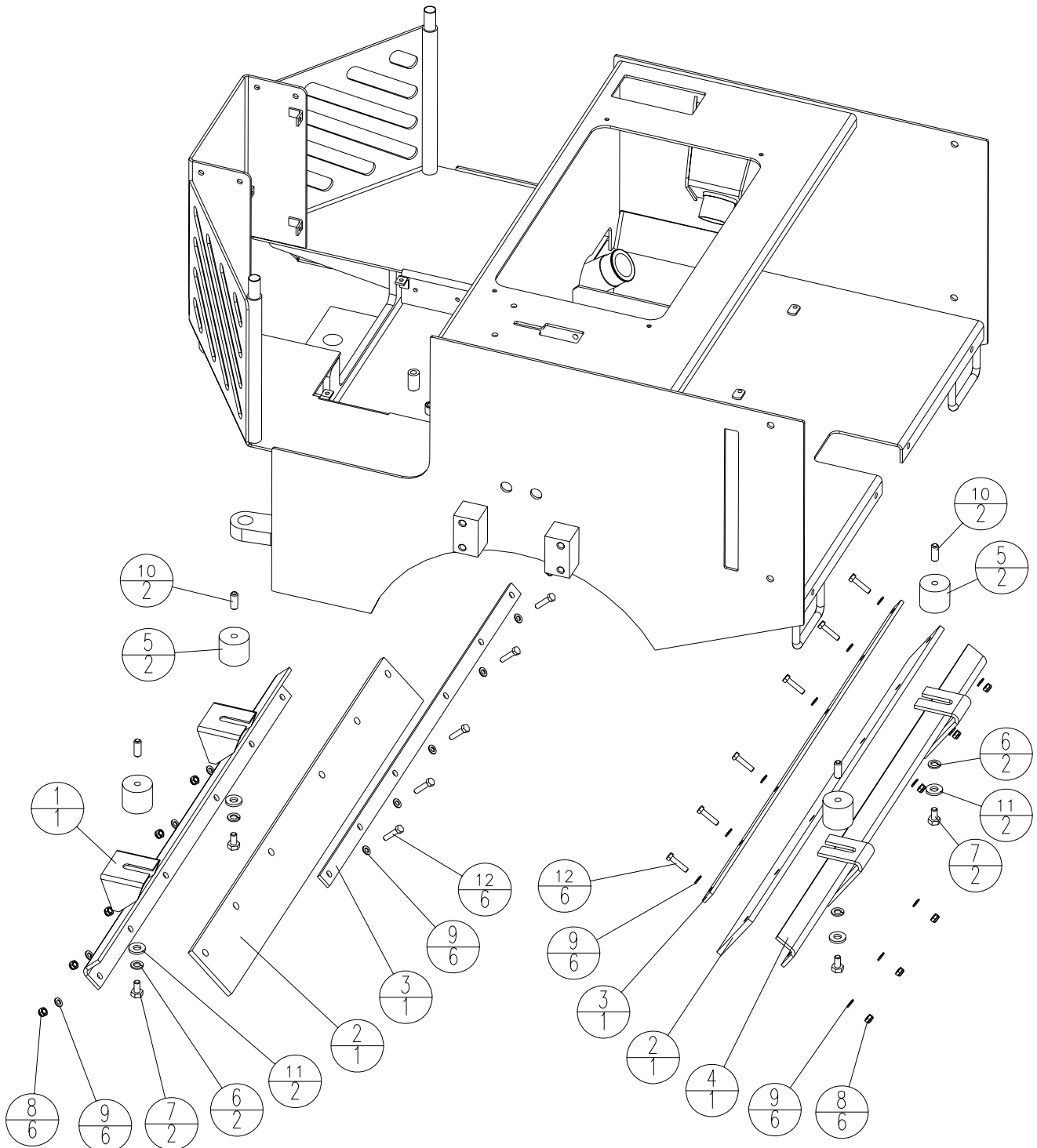




STEERING CONSOLE WP3100D

Item	Part No.	Qty	Description	Descripción	Description	Descrizione
1	36268	1	Hour Meter			
2	37079	1	Cap Waterproof Black			
3	38667	1	Horn 12V 125 dB			
4	38711	1	Holder Fuse ¼ x 1-1/4			
5	39612	1	Switch Momentary Push			
6	41017	1	Wheel Steering			
7	46656	1	Nut M16-1.5			
8	47218	1	Cap Wheel Steering			
9	50124	1	Control Steering			
10	50374-2	1	Cover Key Switch WP3100D			
11	50375	1	Switch Starter			
12	50376	1	Key Switch Starter			
13	50377	1	Lamp Indicator Pre-Heat			
14	50402	1	Cable Throttle Kubota D722			
15	50791-2	1	Weld Frame Steering			
*16	80087	3	Screw HHCS M8-1.25 x 25 8.8 ZN			
*17	80406	4	Screw HHCS M8-1.25 x 20 8.8 ZN			
18	80812	8	Washer WSHRL M8 Split ZN			
19	80813	4	Washer WSHR Flat M8 x 24 ZN			
20	80817	1	Nut NUTNY M8-1.25 ZN			
*21	80836	6	Screw HHCS M6-1 x 16 8.8 ZN			
22	80856	6	Washer WSHR Flat M6 x 12 ZN			
23	80857	5	Washer WSHR Flat M8 x 16 ZN			
*24	80860	6	Washer WSHRL M6 Split ZN			
25	80931	1	Screw HHCS M8-1.25 x 30 8.8 ZN			

*Use Loctite 262

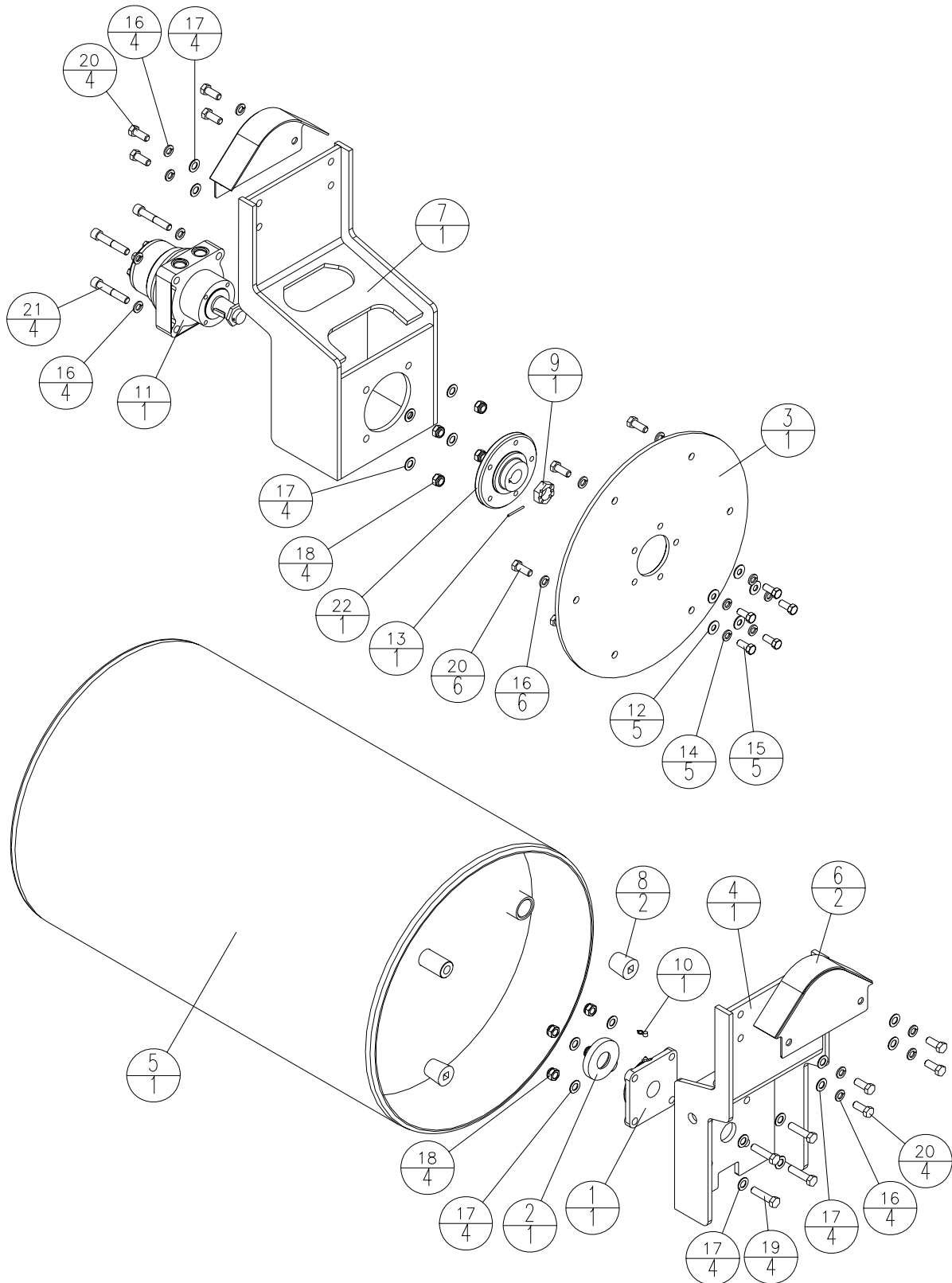




REAR SCRAPERS WP3100, WP3100D

Item	Part No.	Qty	Description	Descripción	Description	Descrizione
1	43587-2	1	Weld Scaper Inner			
2	43591	2	Scraper 3/8 x 4 x 35.50			
3	43596-2	2	Backer Scraper			
4	43597-2	1	Weld Scaper Outer			
5	47597-2	4	Shockmount			
6	80805	4	Washer WSHRL M12 Split ZN			
*7	80808	4	Screw HHCS M12-1.75 x 20 8.8 ZN			
8	80817	12	Nut NUTNY M8-1.25 ZN			
9	80857	24	Washer WSHR Flat M8 x 16 ZN			
*10	80874	4	Screw SHSS M 12-1.75 x 30 45H ZN			
11	80891	4	Washer WSHR Flat M12 x 28 ZN			
*12	80892	12	Screw HHCS M8-1.25 x 35 8.8 ZN			

*Use Loctite 262

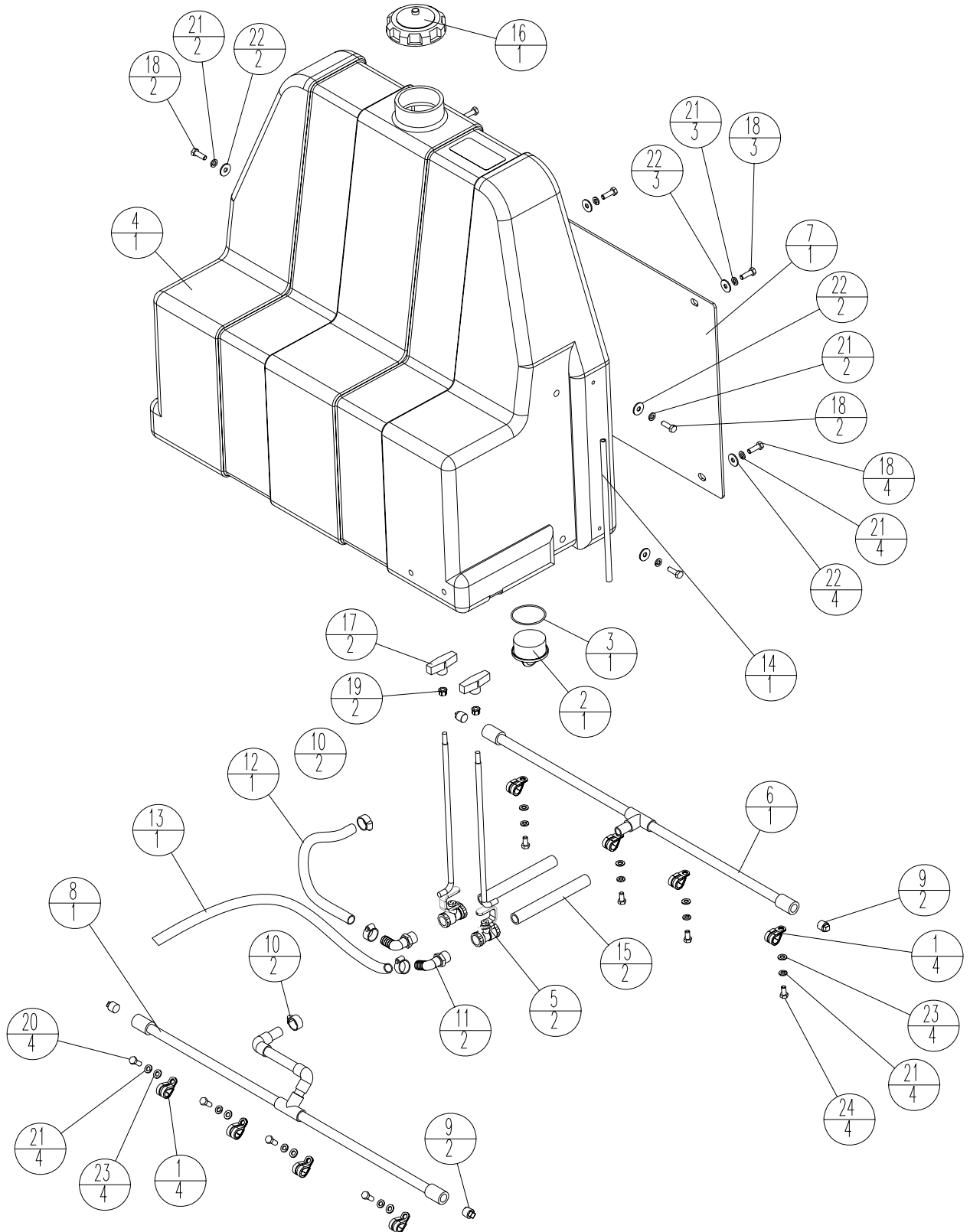




REAR DRUM WP3100, WP3100D

Item	Part No.	Qty	Description	Descripción	Description	Descrizione
1	32206	1	Bearing Flg 1.250			
2	42138	1	Spacer Drum SR2500			
3	43552-2	1	Plate Drive Rear LH			
4	43574-2	1	Weld Hanger Rear RH			
5	43583-2	2	Drum Weld/Machine Rear			
6	43668-2	1	Weld Side Cover			
7	43688-2	2	Weld Hanger LH Rear			
8	46172	1	Plug 1 NPT SQ Soc Blk			
9	46729	1	Nut 1-20			
10	47001	1	Cap Grease Fitting			
11	50122	1	Motor Hyd Gerotor 15.14cir 2500PSI			
12	80043	5	Washer WSHR WROT 3/8 ZN			
13	80316	1	Pinct 1/8 x 1-1/2 ZN			
14	80335	5	Washer WSHRL 7/16 Med Split ZN			
*15	80594	5	Screw HHCS 7/16-20 x 1 GR5 ZN			
16	80805	18	Washer WSHRL M12 Split ZN			
17	80807	20	Washer WSHR Flat M12 x 24 ZN			
18	80830	8	Nut NUTNY M12-1.75 ZN			
*19	80844	4	Screw HHCS M12-1.75 x 50 8.8 ZN			
*20	80873	14	Screw HHCS M12-1.75 x 30 10.9 ZN			
*21	80945	4	Screw HHCS M12-1.75 x 70 8.8 ZN			
22	43551R	1	Hub Wheel Motor Mach.			

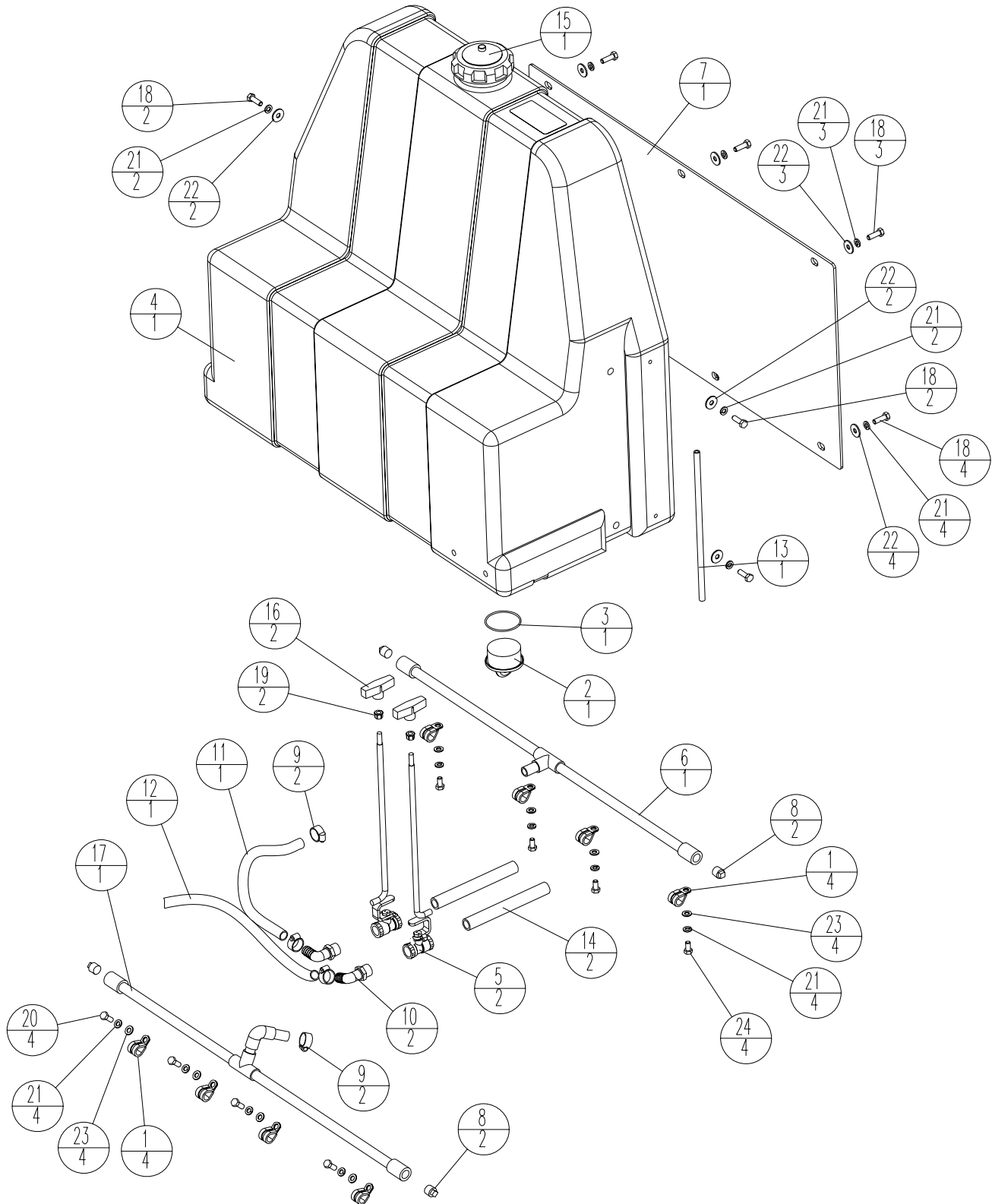
*Use Loctite 262





WATER TANK WP3100

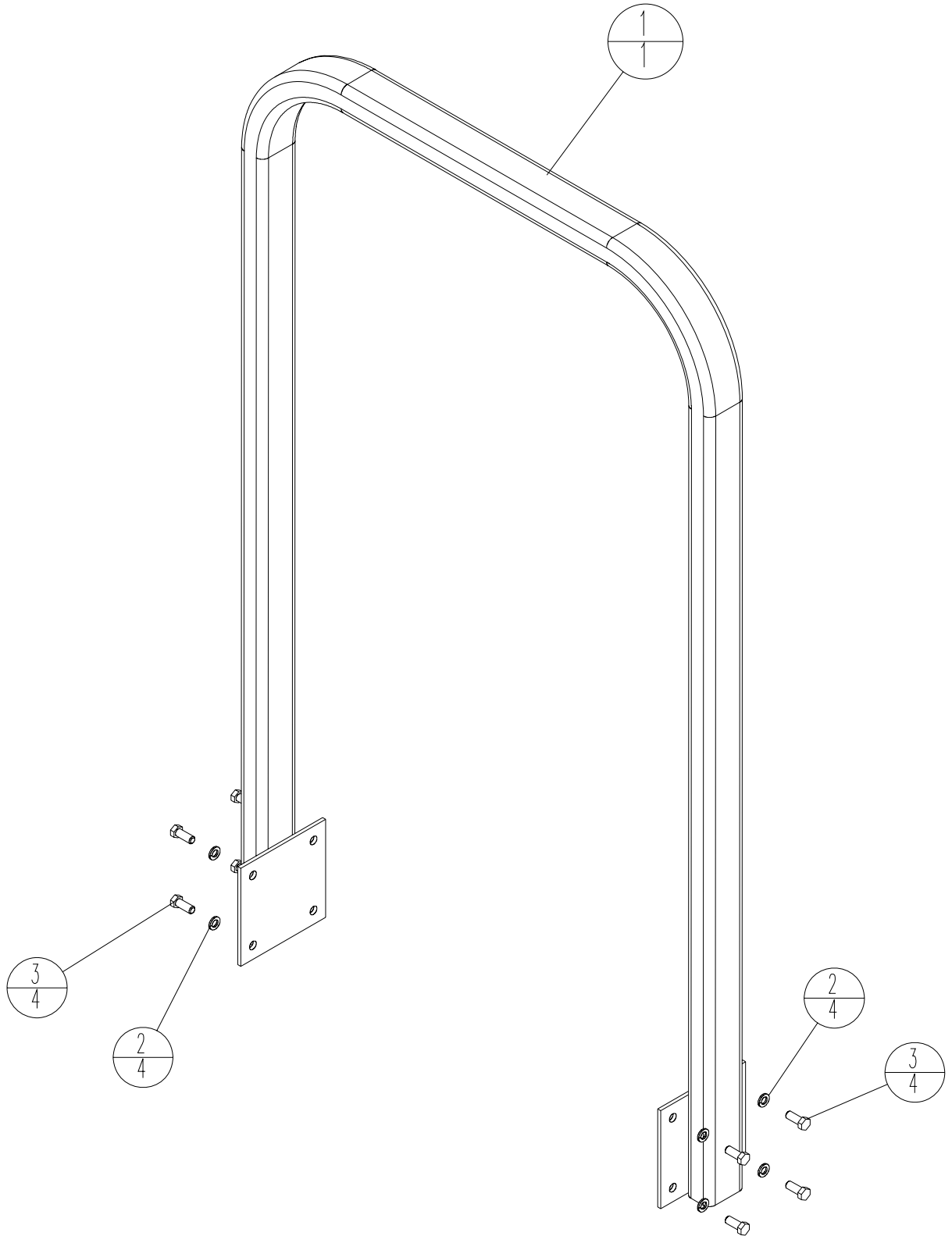
Item	Part No.	Qty	Description	Descripción	Description	Descrizione
1	35448	8	Clamp 5/8 Rubber Loop			
2	37866	1	Plug Drain Water Tank			
3	37867	1	O-Ring Bonar			
4	43600	1	Tank Water 40 Gallon			
5	43630-2	2	Assy Valve/Rod WP3100			
6	43632	1	Sprinkler Assy Rear			
7	43634-2	1	Panel Rear			
8	43687	1	Sprinkler Assy Front			
9	46113	4	Plug 3/8 NPT SQHD			
10	46888	4	Clamp Hose 1/2in			
11	46889	2	Ftg Nylon 90 1/2 NPT 5/8 Hose Barb			
12	46890	1	Hose Water 5/8in x 19 Blk			
13	46891	1	Hose Water 5/8in x 60 Blk			
14	46894	1	Tube Teflon .25in x 12.125in LG			
15	46895	2	Nipple Pipe 1/2 NPT x 7in LG			
16	47241	1	Cap Plastic 3-1/2 Water			
17	47379	2	Knob Water Valve			
18	80087	11	Screw HHCS M8-1.25 x 25 8.8 ZN			
19	80246	2	Nut NUTKP 5/16-18 ZN			
20*	80406	4	Screw HHCS M8-1.25 x 20 8.8 ZN			
21	80812	19	Washer WSHRL M8 Split ZN			
22	80813	11	Washer WSHR Flat M8 x 24 ZN			
23	80857	8	Washer WSHR Flat M8 x 16 ZN			
24*	81183	4	Screw HHCS M8-1.25 x 16 8.8 ZN			





WATER TANK WP3100D

Item	Part No.	Qty	Description	Descripción	Description	Descrizione
1	35448	8	Clamp 5/8 Rubber Loop			
2	37866	1	Plug Drain Water Tank			
3	37867	1	O-Ring Bonar			
4	43600	1	Tank Water 40 Gallon			
5	43630-2	2	Assy Valve/Rod WP3100			
6	43632	1	Sprinkler Assy Rear			
7	43634-2	1	Panel Rear			
8	46113	4	Plug 3/8 NPT SQHD			
9	46888	4	Clamp Hose 1/2in			
10	46889	2	Ftg Nylon 90 1/2 NPT 5/8 Hose Barb			
11	46890	1	Hose Water 5/8in x 19 Blk			
12	46891	1	Hose Water 5/8in x 60 Blk			
13	46894	1	Tube Teflon .25in x 12.125in LG			
14	46895	2	Nipple Pipe 1/2 NPT x 7in LG			
15	47241	1	Cap Plastic 3-1/2 Water			
16	47379	2	Knob Water Valve			
17	50405	1	Subasm Sprinkler Front WP3100D			
18	80087	11	Screw HHCS M8-1.25 x 25 8.8 ZN			
19	80246	2	Nut NUTKP 5/16-18 ZN			
20*	80406	4	Screw HHCS M8-1.25 x 20 8.8 ZN			
21	80812	19	Washer WSHRL M8 Split ZN			
22	80813	11	Washer WSHR Flat M8 x 24 ZN			
23	80857	8	Washer WSHR Flat M8 x 16 ZN			
24*	81183	4	Screw HHCS M8-1.25 x 16 8.8 ZN			

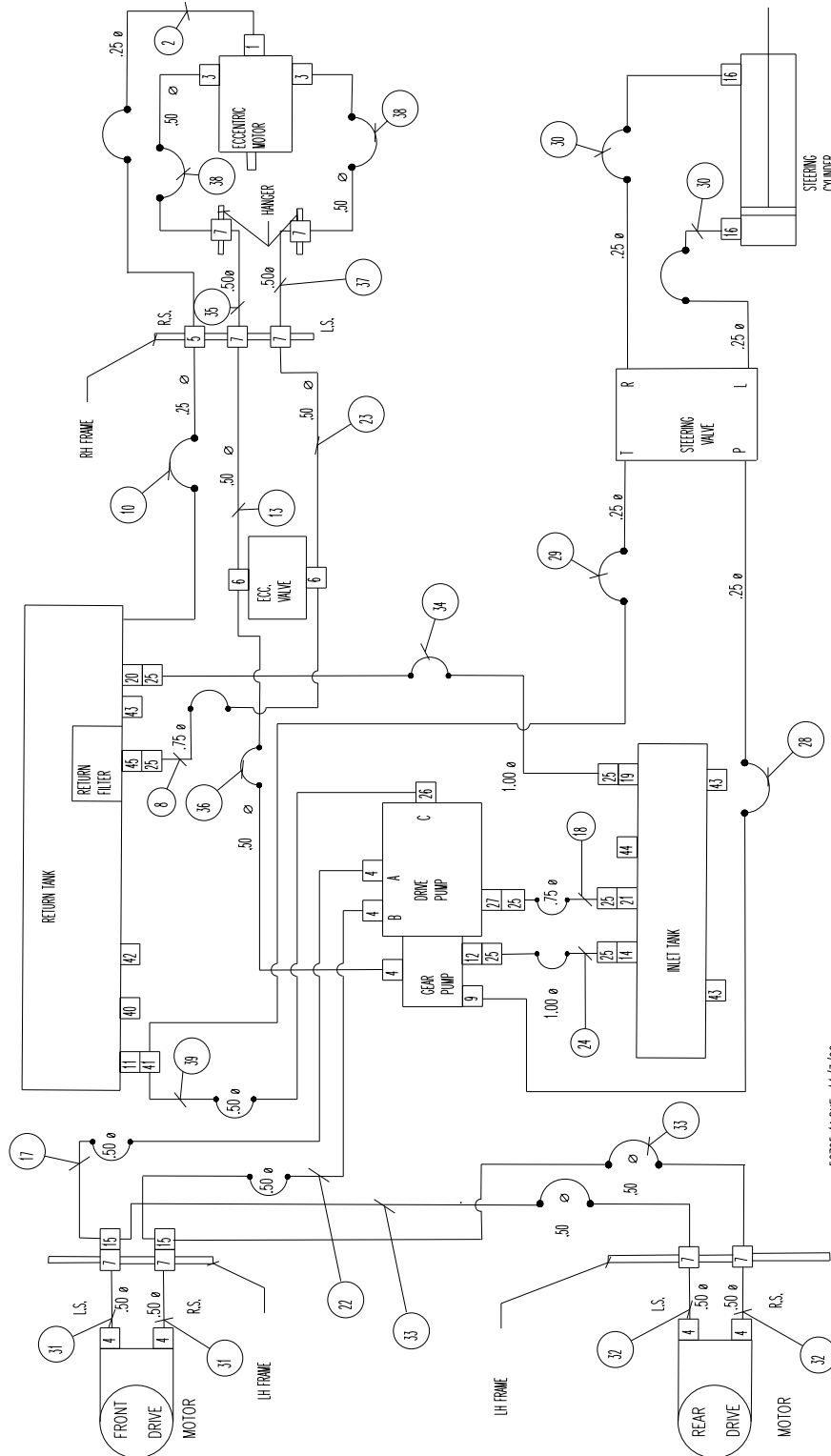




ROPS WP3100, WP3100D

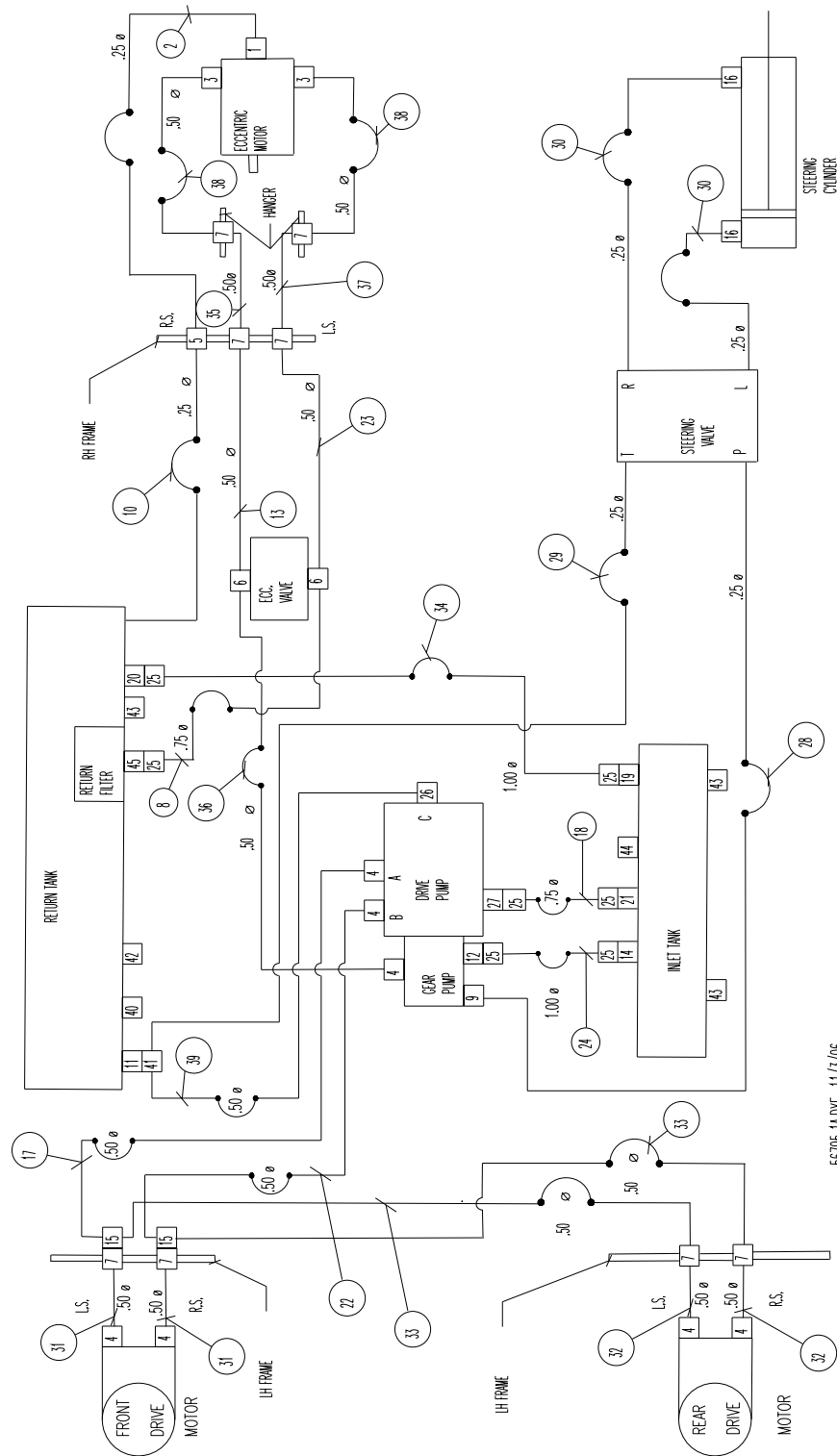
Item	Part No.	Qty	Description	Descripción	Description	Descrizione
1	50691-2	1	Weld ROPS			
2	80805	8	Washer WSHRL M12 Split ZN			
3*	80873	8	Screw HHCS M12-1.75 x 30 10.9 ZN			

* Loctite 262





Item	Part No.	Qty	Description	Descripción	Description	Descrizione
1	46848	1	Fitting Hyd S 4 ORFS 4 NPT			
2	46849	1	Hose Hyd EL EL 37.5in			
3	46850	2	Fitting Hyd S90 8 ORFS 12 OR			
4	46585	7	Fitting Hyd S 8 ORFS 10 OR			
5	46852	1	Fitting Hyd BHS 4 ORFS			
6	46853	2	Fitting Hyd TB 8 ORFS 8 OR			
7	46854	8	Fitting Hyd BHU90 B ORFS			
8	46855	1	Hose Hyd 12 EL 8 1 End 13.5			
9	46677	1	Fitting Hyd S 4 ORFS 8 OR			
10	46857	1	Hose Hyd 4 Str EL 9in			
11	46858	1	Fitting Hyd S 6 ORFS 6 OR			
12	47611	1	Fitting Hyd 45 16 HB 12 OR			
13	46707	1	Tube			
14	46861	1	Tube Suction 45 1in Hose 3/4 NPT			
15	46862	2	Fitting Hyd SNTR 8 ORFS 8 ORFS			
16	46863	2	Fitting Hyd S 6 ORFS 6 NPT			
17	47707	1	Hose Hyd 8 EL STR 18in			
18	47710	1	Hose Hyd 12 10in			
19	46866	1	Fitting Hyd 90 16 HB 1 NPT			
20	46867	1	Fitting Hyd S 16 HB 1 NPT			
21	47706	1	Fitting Suction 12 HB x 8 MPT			
22	47708	1	Hose Hyd 8 EL STR 14.75in			
23	46708	1	Tube 1/2in x .065 Wall			
24	47606	1	Hose Hyd 16 8in			
25	46872	7	Clamp Hose 3/4 - 1 3/4			

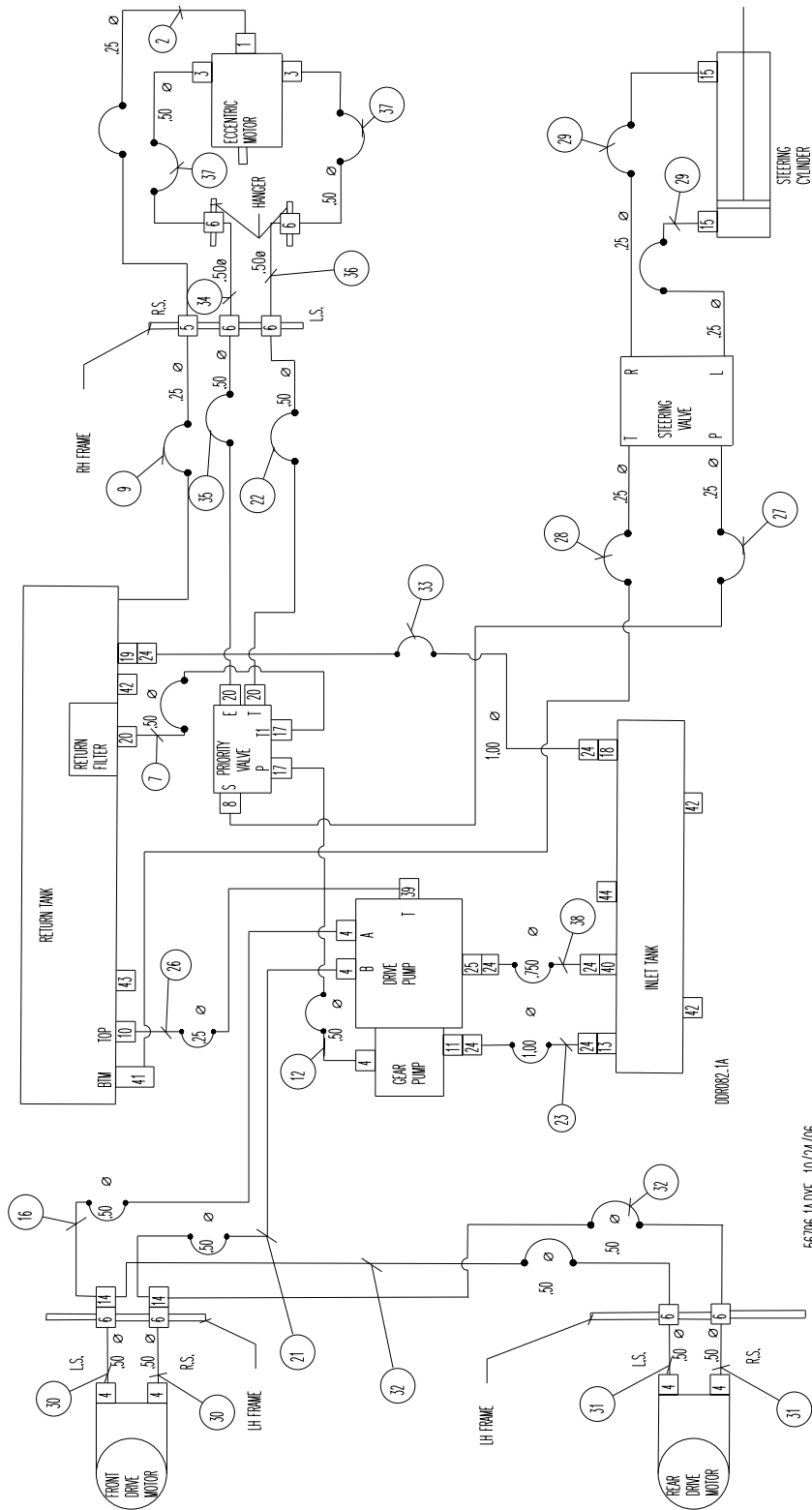


56795.14DMF 11/3/06



PIPING DIAGRAM WP3100 CONT'D.

Item	Part No.	Qty	Description	Descripción	Description	Descrizione
26	47711	1	Fitting STR 6 ORFS 10 OR			
27	47712	1	Ftg Hyd 45 12 HB 10 OR			
28	47602	1	Hose Hyd 4 EL STR 48,25in			
29	47650	1	Hose Hyd 4 STR EL 55in			
30	47604	2	Hose Hyd 4 EL STR 63in			
31	41060	2	Tube Hyd .50in x .065in			
32	41059	2	Tube Hyd .50in x .065in			
33	46880	2	Hose Hyd 1/2in 8 OF 45 8 OF 68in			
34	46881	1	Hose Hyd 1in x 16,5in Blk			
35	46717	1	Tube 1/2in x .065 Wall			
36	46883	1	Hose Hyd 8 STR STR 19,25in			
37	46718	1	Tube 1/2in x .065 Wall			
38	46885	2	Hose Hyd 1/2in 8 OF 8 OF 45 20,5in			
39	47610	1	Hose Hyd 6 EL EL 20in			
40	47581	1	Plug O-Ring -6			
41	46971	1	Fitting Hyd SNTB 6			
42	32300	1	Plug Gauge Sight			
43	46890	3	Plug 3/4 NPT Magnetic SQ HD			
44	46107	1	Plug 1/2 NPT SQ HD Blk			
45	47580	1	Fitting Hyd 3/4 Hose x 3/4 OR			

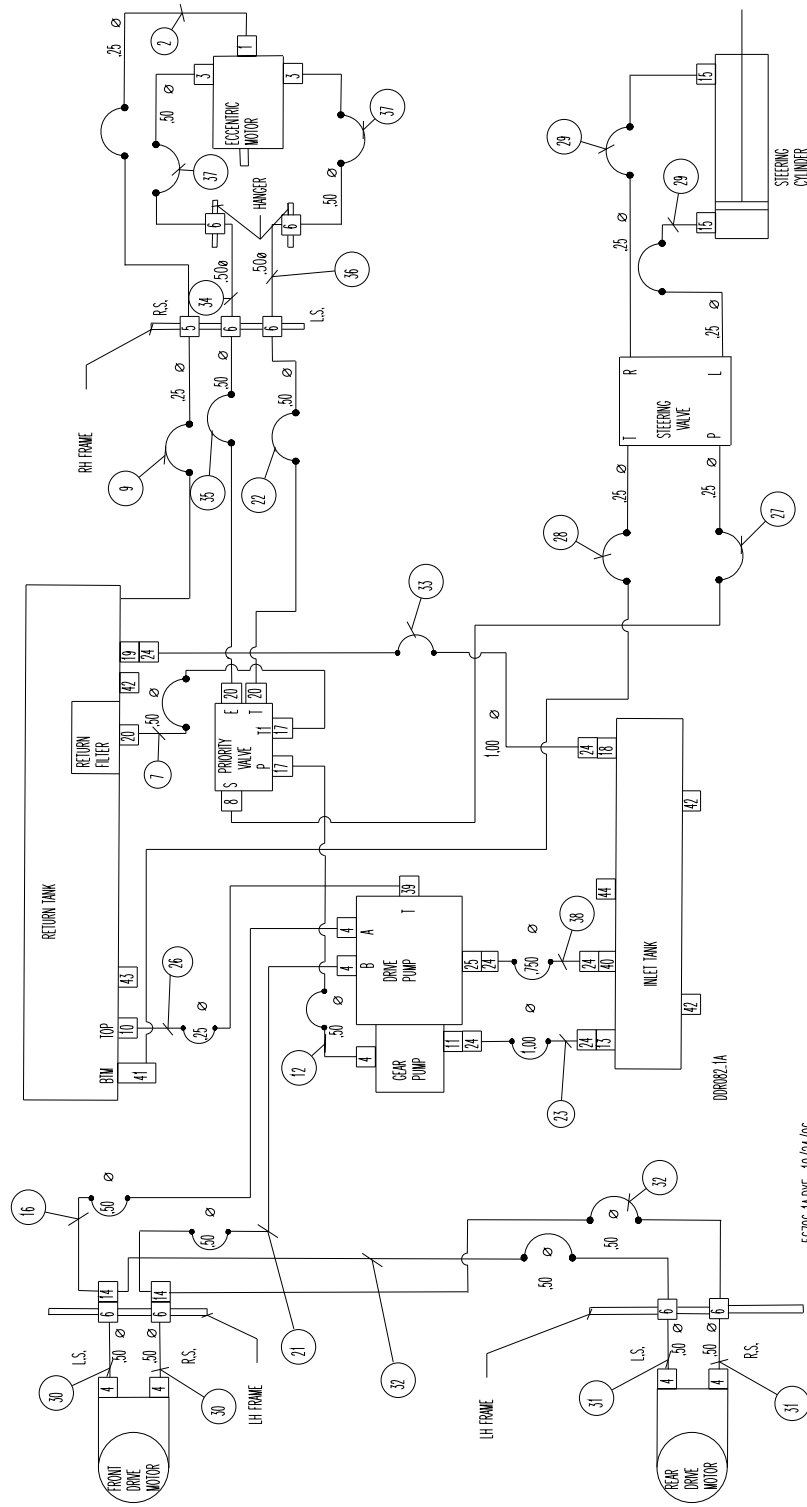


58756 IADMF 10/24/06



PIPING DIAGRAM WP3100D

Item	Part No.	Qty	Description	Descripción	Description	Descrizione
1	46848	1	Fitting Hyd S 4 ORFS 4 NPT			
2	46849	1	Hose Hyd EL EL 37.5in			
3	46850	2	Fitting Hyd S90 8 ORFS 12 OR			
4	46585	7	Fitting Hyd S 8 ORFS 10 OR			
5	46852	1	Fitting Hyd BHS 4 ORFS			
6	46854	8	Fitting Hyd BHU90 8 ORFS			
7	47627	1	Hose Hyd 8 STR STR 23.25in 3000PSI			
8	46631	1	Fitting Hyd S 4 ORFS 4 OR			
9	46857	1	Hose Hyd 4 EL EL 9in			
10	46858	1	Fitting Hyd S 6 ORFS 6 OR			
11	47611	1	Fitting Hyd 45 16 HB 12 OR			
12	47719	1	Hose Hyd 8 STR STR 18.00in 3000PSI			
13	46861	1	Tube Suction 45 1in Hose 3/4 NPT			
14	47621	2	Fitting Hyd TB 8 ORFS 8 OR			
15	46863	2	Fitting Hyd S 6 ORFS 6 NPT			
16	47622	1	Hose Hyd 8 EL STR 26.25in 3000PSI			
17	46581	2	Fitting Hyd EL 8 ORFS 8 OR			
18	46866	1	Fitting Hyd 90 16 HB 1 NPT			
19	46867	1	Fitting Hyd S 16 HB 1 NPT			
20	46579	3	Fitting Hyd S 8 ORFS 8 OR			
21	47623	1	Hose Hyd 8 EL STR 24.63in 3000PSI			
22	47629	1	Hose Hyd 8 EL STR 17.00in 3000PSI			
23	47624	1	Hose Hyd 16 7.25in 3000PSI			
24	46872	6	Clamp Hose 3/4 - 1 3/4			
25	47712	1	Fitting Hyd 45 12HB 10OR			





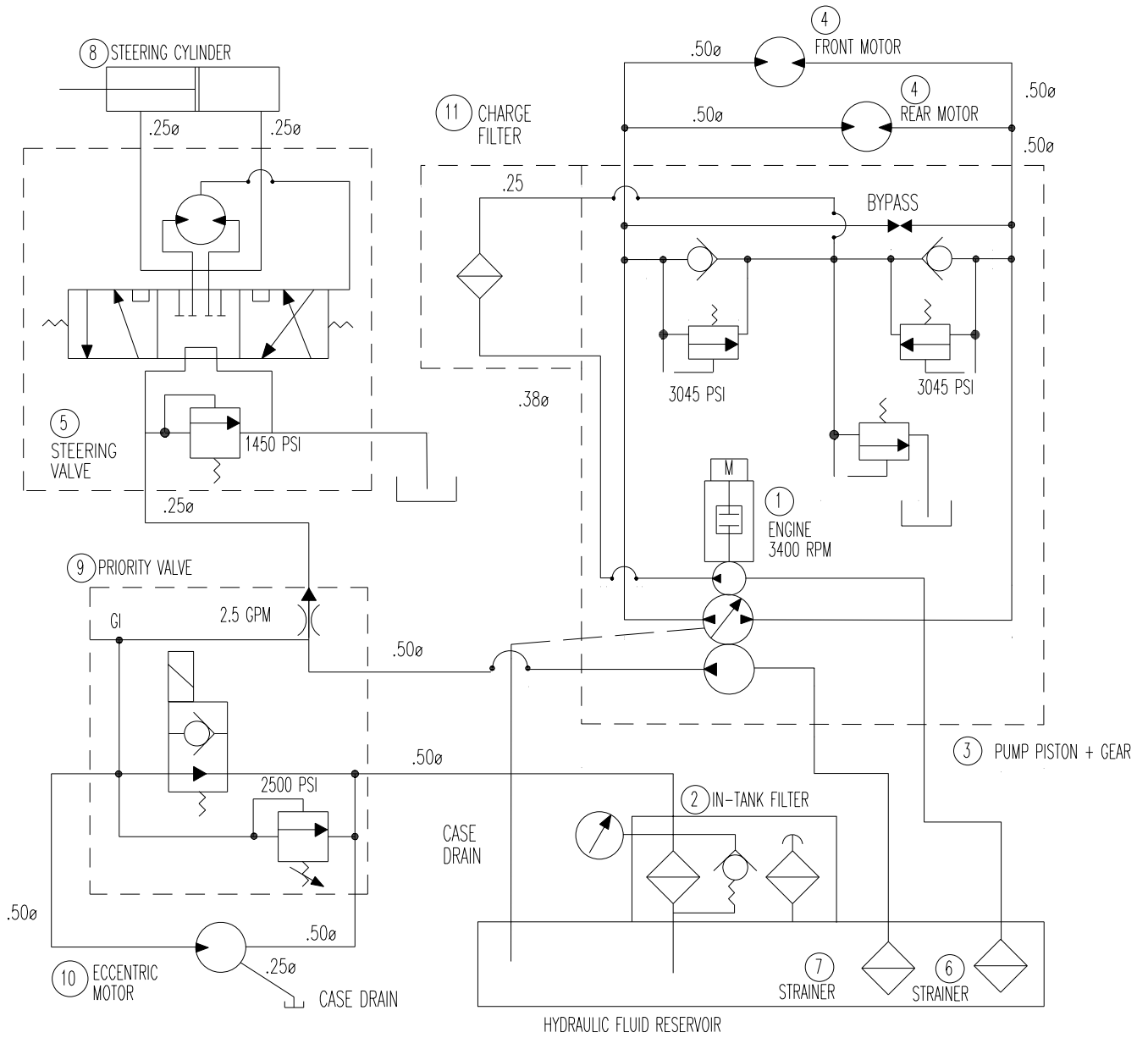
PIPING DIAGRAM WP3100D CONT'D.

Item	Part No.	Qty	Description	Descripción	Description	Descrizione
26	47610	1	Hose 3/8 11/16ORFS 90T 11/16ORFS 45T 20in			
27	47630	1	Hose Hyd 4 EL STR 54.50in 3000PSI			
28	47650	1	Hose Hyd 4 STR EL 55in			
29	47604	2	Hose Hyd 4 EL STR 63in			
30	41060	2	Tube Hyd .50in x .065in			
31	41059	2	Tube Hyd .50in x .065in			
32	47625	2	Hose Hyd 8 EL STR 67.75in 3000PSI			
33	46881	1	Hose Hyd 1in x 16.5in Blk			
34	46717	1	Tube 1/2in x .065 Wall			
35	47631	1	Hose Hyd 8 EL STR 16in 3000PSI			
36	46718	1	Tube 1/2in x .065 Wall			
37	46885	2	Hose Hyd 1/2in 8 OF 8 OF 45 20.5in			
38	47721	1	Hose Hyd -12 x 8.75in			
39	47711	1	Fitting Hyd STR 6ORFS 10OR			
40	47706	1	Fitting Hyd STR 12HB 8MPT			
41	47720	1	Fitting Hyd 90 6ORFS 6OR			
42	46774	3	Plug 3/4 NPT Magnetic SQ HD			
43	32300	1	Plug Gauge Sight			
44	46107	1	Plug 1/2 NPT SQ HD Blk			



HYDRAULIC SCHEMATIC WP3100

Item	Part No.	Qty	Description	Descripción	Description	Descrizione
1	30348	1	Engine Honda 18HP Gas			
2	36931	1	Filter Hyd 10M 20G In-Tank			
2a	36988	1	Element Hyd Filter 10M			
2b	36989	1	Element Air Hyd Breather 10M			
2c	36987	1	Gauge Hyd Filter Indicator			
3	32530	1	Pump Piston + Gear .85CIR 3045PSI			
3a	32532	1	Pump Piston Hyd .85CIR 3045PSI			
3b	32533	1	Pump Gear + Divider .85CIR			
4	50122	2	Motor Hyd Gerotor 15.14CIR 2500PSI			
5	50124	1	Control Steering			
6	39087	1	Strainer 5 GPM			
7	39088	1	Strainer 10 GPM			
8	39089	1	Valve Solenoid N/O Relief			
8a	39232	1	Cartridge Relief RV5			
9	39750	1	Cylinder 2 x 4			
10	39810	1	Motor Eccentric w/Drain WP3100			
11	32536	1	Element Filter Charge			

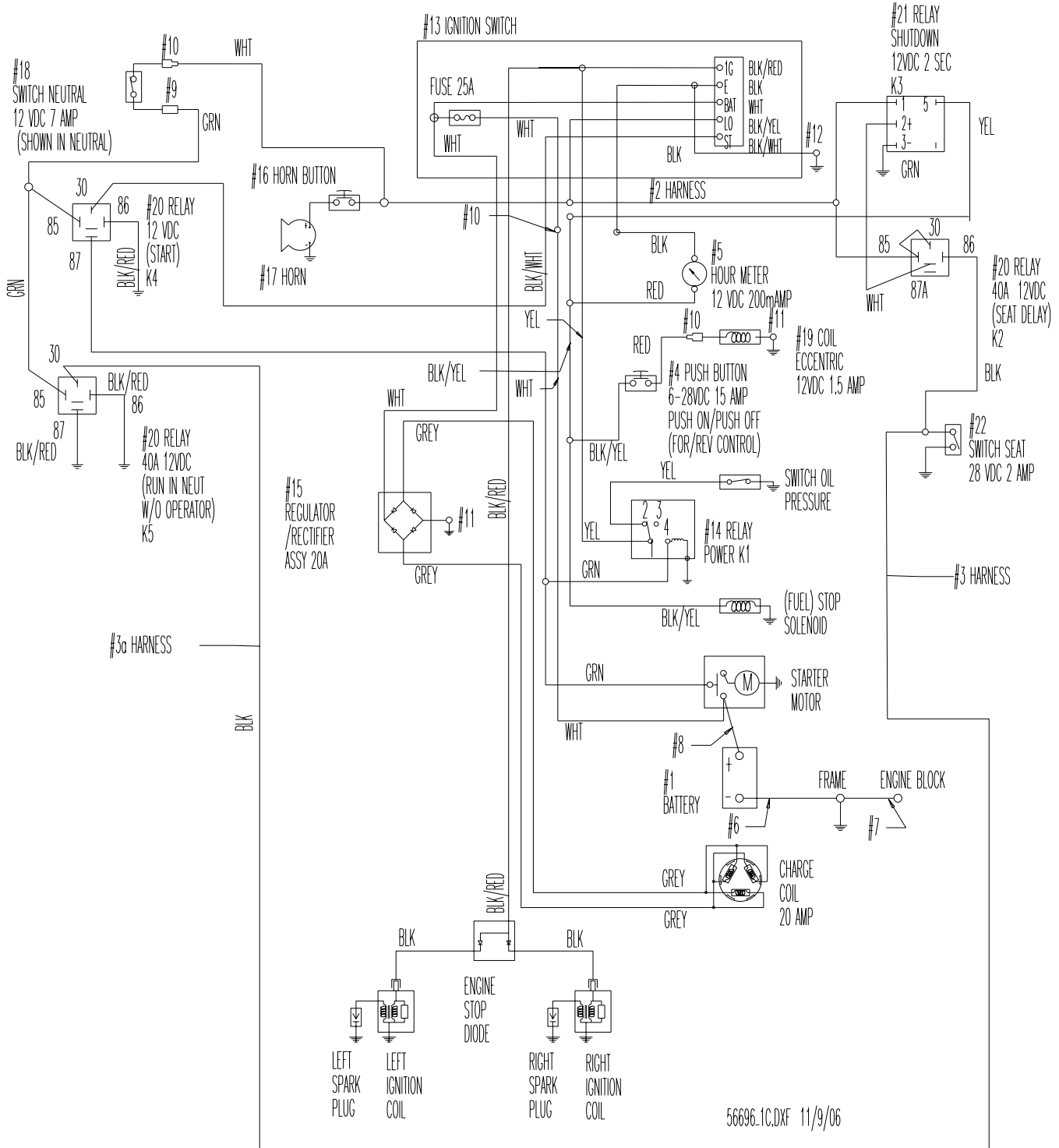


56790-1A,DXF 10/24/06



HYDRAULIC SCHEMATIC WP3100D

Item	Part No.	Qty	Description	Descripción	Description	Descrizione
1	30429	1	Engine Kubota 20HP Diesel			
2	36931	1	Filter Hyd 10M 20G In-Tank			
2a	36988	1	Element Hyd Filter 10M			
2b	36989	2	Element Air Hyd Breather 10M			
2c	36987	1	Gauge Hyd Filter Clogging Indicator			
3	32531	1	Pump Piston + Gear .85CIR 3045 PSI			
3a	32532	1	Pump Piston Hyd			
3b	32534	1	Pump Gear Hyd			
4	50122	2	Motor Hyd Gerotor 15.14CIR 2500 PSI			
5	30431	1	Valve Hydraulic Steering 1450 PSI			
6	39087	1	Strainer 5 GPM			
7	39088	1	Strainer 10 GPM			
8	39750	1	Cylinder 2 x 4			
9	30432	1	Valve Hydraulic Priority			
10	39810	1	Motor Eccentric w/Drain WP3100			
11	32536	1	Element Filter Charge			





WIRE SCHEMATIC WP3100

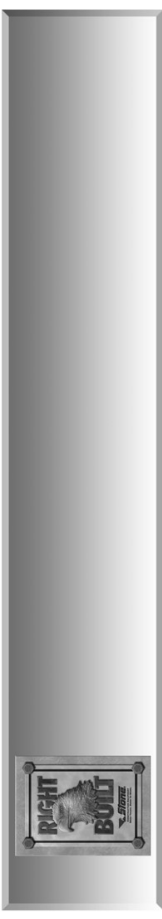
Item	Part No.	Qty	Description	Descripción	Description	Descrizione
1	38543	1	Battery 12V 525CCA			
2	48446	1	Harness Wire ROPS			
3	48600	1	Harness Adaptor 2 Sec Delay Gas			
3a	48446	1	Harness Adaptor Run Neut Gas			
4	36789	1	Push Button Control Forward/Reverse			
5	36268	1	Hour Meter			
6	48517	1	Cable Battery 10in Black			
7	48518	1	Cable Battery 56in Black			
8	48444	1	Cable Battery 66in Red			
9	48278	1	Term QD Female .250 Tab 14-16 AWG			
10	48285	3	Term QD Male .250 Tab 14-16 AWG			
11	36115	2	Term 5/16 Ring Insul 14-16 AWG			
12	36116	1	Term ¼ Ring Insul 14-16 AWG			
13	31276	1	Ignition Switch Honda			
13a^	46363	1	Key Ignition Switch			
13b^	36399	1	Fuse 25A Ignition			
14	48364	1	Relay Power 12 VDC			
15	39759	1	Regulator/Rectifier Assembly (20A)			
16	48423	1	Hom Button			
17	38667	1	Hom 12V			
18	39321	1	Switch Neutral Backup			
19	39638	1	Coil Eccentric Valve			
20	48378	3	Relay 40A 12VDC			
21	48571	1	Relay Shutdown 12VDC 2 Sec			
22	39638	1	Switch Seat WP3100			

^ Not Shown



Item	Part No.	Qty	Description	Descripción	Description	Descrizione
1	38543	1	Battery 12V 525 CCA			
2	48565	1	Starter 12VDC			
3	48566	1	Stop Solenoid			
4	48563	1	Switch Seat WP3100			
5	48568	1	Thermoswitch			
6	48569	1	Oil Switch			
7	48364	1	Relay Power 12 VDC			
8	50375	1	Starter Switch			
9	38711	1	Holder Fuse ¼ x 1-1/4in			
10	48575	1	Fuse 30 Amp			
11	36268	1	Hour Meter			
12	36789	1	Push Button Control Forward/Reverse			
13	39638	1	Coil Eccentric Valve			
14	37076	1	Fuse 10 Amp			
15	48423	1	Hom Button			
16	37092	1	Hom 12V			
17	48571	1	Relay Shutdown 12VDC 2 Sec			
18	50377	1	Lamp Indicator Pre-Heat			
19	39321	1	Switch Neutral Backup			
20	48573	1	Timer Preheat Lamp			
21	48401	1	Relay 70A 12VDC			
22	48444	1	Cable Battery 66in Red			
23	48517	1	Cable Battery 10in Black			
24	48518	1	Cable Battery 56in Black			
25	48278	4	Term QD Female .250 Tab 14-16 AWG			
26	48285	3	Term QD Male .250 Tab 14-16 AWG			
27	36115	1	Term. Ring 5/16" Insul 16-14AWG			
28	48378	3	Relay 40A 12VDC			

^ Not Shown



1

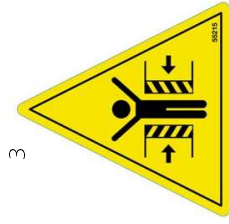
	⚠ DANGER Fuel and fumes can explode and burn. Do not smoke, drink, or use any flammable materials while refueling. Use a safety can.
	⚠ PELIGRO El combustible y los gases pueden explotar y arder. No fumar, beber, ni usar materiales inflamables y no materiales para fumar antes de reabastecer el combustible. Utilice un recipiente de seguridad.

2

THROTTLE

**PULL TO RUN
PUSH TO STOP**

50146

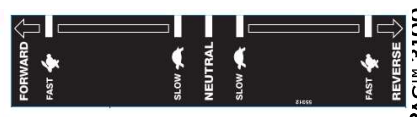


7

	⚠ CAUTION Hot surfaces. Burn hazard. Allow components in the engine compartment to cool before servicing.
	⚠ PRECAUCIÓN Superficies calientes. Peligro de quemadura. Permita que se enfríen los componentes del compartimiento del motor antes de hacer el servicio.

8

NOTICE	If safety or hazard decals or operator's manual are missing from this equipment, contact your distributor or WolfPAC at 1-800-868-9826 or (565) 239-5141.
AVISO	Si las etiquetas de seguridad o peligro o el manual del operador faltan en este equipo, contacte inmediatamente al fabricante al 1-800-868-9826 o al (565) 239-5141.



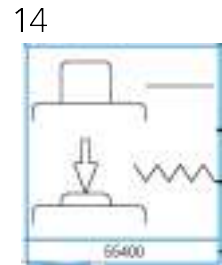
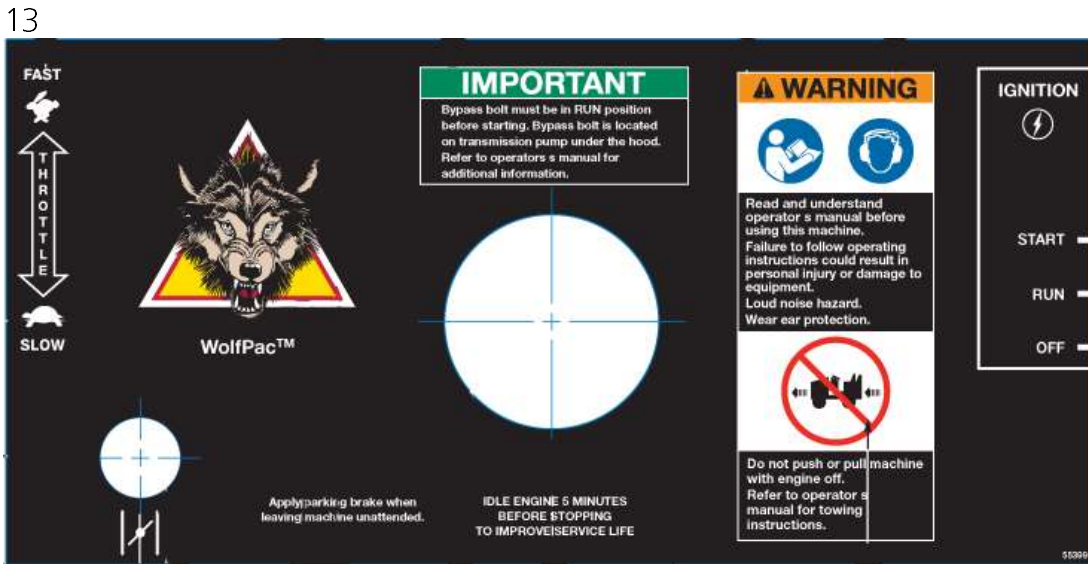


DECAL IDENTIFICATION

Item	Part No.	Qty	Description	Descripción	Description	Descrizione
1	55128	1	Decal Danger Fuel Flammable			
2(D)	55145	1	Decal Throttle Control			
3	55215	2	Decal Caution Pinch Point			
4	55308	2	Decal Stone Logo 33in			
5	55309	1	Decal WP3100 Left Side			
6	55311	1	Decal Wolfhead Large			
7	55398	1	Decal Caution Hot Surfaces			
8	55541	1	Decal Notice Missing Decals			
9	55312	1	Decal Forward Neutral Reverse			

(D) Diesel Model Only

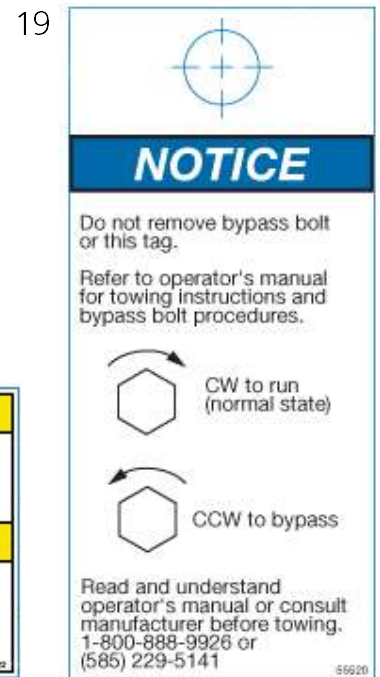
(R) Gas Model Only



17

NOTICE	⚠ WARNING
Do not repair this structure (ROPS). If damaged, a replacement structure must be installed. Unauthorized modifications will void certification and may result in injury.	Crush, cut and fall hazards. No riders. Keep seat belt fastened when operating machine.
AVISO	⚠ ADVERTENCIA
No repare esta estructura (ROPS). Si se daña, se debe instalar una estructura de repuesto. Cualquier modificación que se realice sin autorización anulará la certificación y puede producir lesiones.	Peligro de aplastamientos, cortes y caídas. No se permite llevar pasajeros. Mantenga abrochado el cinturón de seguridad mientras opera la máquina.

55413





DECAL IDENTIFICATION

Item	Part No.	Qty	Description	Descripción	Description	Descrizione
10	55313	1	Decal Water Sprinklers On/Off			
11	55314	1	Decal Parking Brake			
12	55395	2	Decal Grease Weekly Black on White			
13 (R)	55399	1	Decal WolfPac Console Gas			
14	55400	1	Decal Vibe Button			
15	55407	1	Decal WP3100 Right Side			
16 (R)	55408	1	Decal Unleaded Gasoline Only			
17	55413	1	Decal Notice and Warning ROPS			
18	55422	1	Decal Caution Mobilfluid 424			
19	55520	1	Tag Notice Bypass Bolt			

(D) Diesel Model Only

(R) Gas Model Only



20

THROTTLE

Apply parking brake when leaving machine unattended.

IMPORTANT

Bypass bolt must be in RUN position before starting. Bypass bolt is located on transmission pump under the hood. Refer to operator's manual for additional information.

WARNING

Read and understand operator's manual before using this machine. Failure to follow operating instructions could result in personal injury or damage to equipment. Loud noise hazard. Wear ear protection.

Do not push or pull machine with engine off. Refer to operator's manual for towing instructions.

IGNITION

START

RUN

OFF

PRE-HEAT

PRE-HEAT INSTRUCTIONS:
1. Turn key to pre-heat and hold until pre-heat lamp turns off.
2. Turn key to start position.
3. Start engine.

21

DIESEL FUEL ONLY

SOLO COMBUSTIBLE DIESEL

55538

26

FUEL DOOR

COMPUERTA DE COMBUSTIBLE

55539



23

MAINTENANCE CHART WP3100

✓ CHECK/ADJUST ○ CLEAN/REPLACE	DAILY	WEEKLY	OTHER	INSTRUCTIONS	REPLACEMENT P/N'S
ENGINE					
				READ STONE OPERATOR'S MANUAL AND HONDA/KUBOTA OWNER'S MANUAL AND EMISSION WARRANTY.	HONDA KUBOTA
E1 OIL LEVEL (HONDA)				○ REPLACE AT 50 HRS, THEN EVERY 100 HRS SAFE 10M-30 SH OR SJ	-- --
E1 OIL LEVEL (KUBOTA)				○ REPLACE AT 50 HRS, THEN EVERY 100 HRS SAFE 10M-40 DI-4 OR CG-4	-- --
E2 OIL FILTER				○ REPLACE EVERY 200 HRS	31240 31242
E3 A. IN-LINE FUEL FILTER				○ CHECK EVERY 100 HRS REPLACE EVERY 300 HRS	-- --
E3 B. ENGINE FUEL FILTER				○ REPLACE EVERY 300 HRS	31201 --
E3 C. ENGINE FUEL FILTER				○ CLEAN EVERY 300 HRS REPLACE EVERY 400 HRS	-- 31271
E4 A. SPARK PLUGS (DAS ONLY)				○ CLEAN EVERY 300 HRS REPLACE EVERY 300 HRS	31336 --
E4 B. AIR FILTER				○ CLEAN EVERY 30 HRS REPLACE EVERY 300 HRS	31336 --
E4 C. AIR FILTER				○ CLEAN EVERY 300 HRS REPLACE EVERY YEAR	-- 30692
E5. SPARK PLUGS (DAS ONLY)				○ CLEAN, GAP AND CHECK 300 HRS REPLACE EVERY 300 HRS	31224 --
E6. ENGINE OIL				✓ CHECK OIL & OIL LEVEL FROM EXITS 300 HRS	-- --
E7. COOLING SYSTEM				○ CLEAN/BLOW OUT AIR INLETS, ENGINE FINS & DUCTING	-- --
E8. VALVE CLEARANCE #				✓ CHECK/ADJUST EVERY 300 HRS (HONDA) 400 HRS (KUBOTA)	-- --
DIESEL ONLY					
READ KUBOTA OWNER'S MANUAL.					
F9. BELT TENSION AND CLAMPS				○ CHECK/TIGHTEN EVERY 300 HRS REPLACE EVERY TWO YEARS	-- 31373
F10. PARAFLEX #				○ CLEAN EVERY 30 HRS REPLACE COOLANT EVERY TWO YEARS	-- --
F11. NOZZLE #				○ CHECK INJECTION PRESSURE EVERY 3000 HRS	-- --
F12. FAN BELT				○ CHECK AT 30 HRS, THEN EVERY 300 HRS	-- 32581
MACHINE					
READ STONE OPERATOR'S MANUAL AND HONDA/KUBOTA OWNER'S MANUAL AND EMISSION WARRANTY.					
M1. HYDRAULIC OIL LEVEL				○ REPLACE EVERY 300 HRS MOTOR FLUID 40M	-- --
M2. HYDRAULIC FILTER (DAS)				○ REPLACE EVERY 100 HRS P/N 30989	-- --
M3. HYDRAULIC FILTER (DAS)				○ REPLACE EVERY 100 HRS P/N 30991	-- --
M4. HYDRAULIC FILTER (DAS)				○ REPLACE EVERY 300 HRS P/N 30992	-- --
M5. PTO (3 PLACES)				○ LUBE WEEKLY WITH LITHIUM BASE GREASE	-- --
M6. FRONT BEARING				○ LUBE WEEKLY WITH LITHIUM BASE GREASE	-- --
M7. EXHAUST OIL				○ CHANGE EVERY 300 HRS SAE 30	-- --
M8. FUEL TANKS				○ FLUSH/CLEAN FUEL TANKS EVERY YEAR	-- --
M9. FUEL LINES & CLAMPS				○ CHECK WEEKLY/REPLACE EVERY 2 YEARS P/N 46390	-- --
M10. CONTROLS				○ CHECK OPERATION, LIGHTS, OIL, CABLES & LEVERS EVERY 300 HRS	-- --
M11. BATTERY CHARGE SYSTEM				○ CHECK & CLEAN MONTHLY/CHECK FOR 13-14 VOLTS AT FULL RPM	-- --
M12. PARKING BRAKE				○ CLEAN UNIT & INSPECT	-- --
M13. SCRAPERS/MOUNTS				○ CLEAN UNIT & INSPECT	-- --
M14. SPRINKLER				○ CLEAN UNIT & INSPECT	-- --
M15. LEAKS OIL & FUEL				○ CLEAN UNIT & INSPECT	-- --
M16. HARDWARE/SCREWS				○ CLEAN UNIT & INSPECT	-- --

#1 SEE AUTHORIZED ENGINE SERVICE DEALER AND/OR REFER TO ENGINE O/S/M MANUAL FOR PROCEDURES

55540

24

WARNING

Read and understand operator's manual before using this machine. Failure to follow operating instructions could result in personal injury or damage to equipment.

ADVERTENCIA

Lea y entienda el manual del operador antes de utilizar esta máquina. El no seguir las instrucciones de operación puede ocasionar lesiones personales o daños al equipo.

55564

25

IMPORTANT

SAFETY INSTRUCTIONS

Read and understand the operator's manual and all safety labels before operating this machine. Only a trained person is to be permitted to operate this equipment. Training should include operation instruction under normal conditions and emergency situations. Personnel working on or near this equipment shall be instructed as to the location and operation of pertinent stopping devices. Under no circumstances are the safety characteristics of this equipment to be altered. Routine inspections and corrective/preventative maintenance measures are to be conducted to ensure that all guards and safety features are retained and function properly.

IMPORTANT

INSTRUCCIONES DE SEGURIDAD

Lea y entienda el manual del operador y todas las etiquetas de seguridad antes de operar esta máquina. Sólo se permite operar este equipo a las personas capacitadas. La capacitación debe incluir las instrucciones de operación bajo condiciones normales y situaciones de emergencia. El Personal que trabaja con o cerca de este equipo deberá ser instruido acerca de la ubicación y operación de los dispositivos de paro pertinentes. Bajo ninguna circunstancia se podrán alterar las características de seguridad de este equipo. Se deberán llevar a cabo inspecciones de rutina y medidas de mantenimiento correctivo / preventivo para asegurar que todas las guardas y características de seguridad sean retenidas y funcionen adecuadamente.

55565



DECAL IDENTIFICATION

Item	Part No.	Qty	Description	Descripción	Description	Descrizione
20 (D)	55537	1	Decal WolfPac Console Diesel			
21(D)	55538	1	Decal Diesel Fuel Only			
22(D)	55540	1	Decal WolfPac 3100D Logo 33in			
23	55542	1	Decal Maintenance Chart WP3100			
24	55564	1	Decal Warning Read Manual			
25	55565	1	Decal Safety Instructions			
26	55572	1	Decal Fuel Door			

(D) Diesel Model Only

(R) Gas Model Only