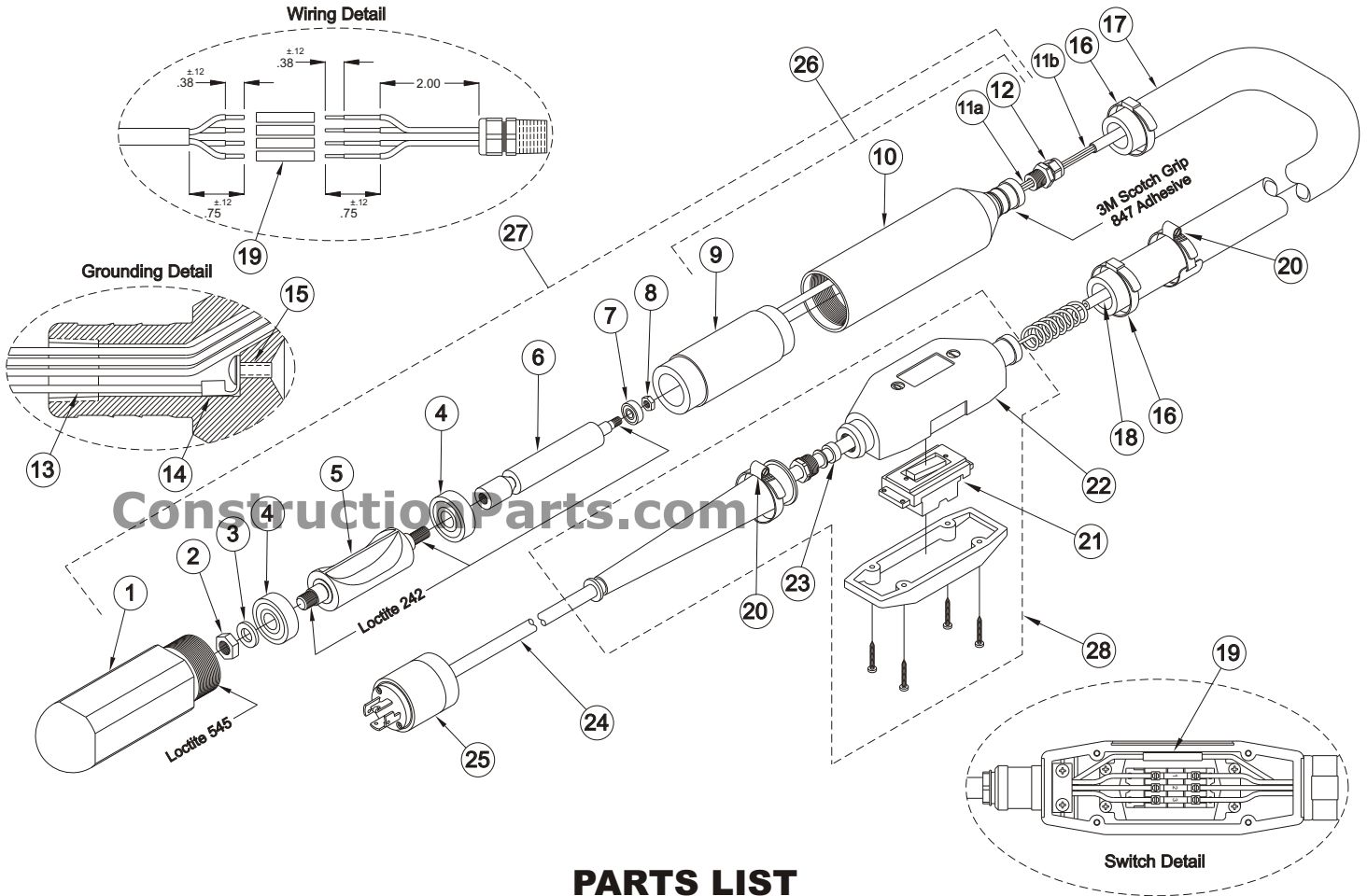


Drawing & Parts List

ConstructionParts.com

888-634-4289



PARTS LIST

Item	Qty	#1000 Head	#1300 Head	#1600 Head	Description
1	1	416024	416016	416032	Housing, 2-3/8" Square Head
2	1		432707		Nut, Hex Jam; 9/16"; Left Hand
3	1		887011		Washer, Flat
4	2		096020		Bearing, Ball
5	1	416028	416020	416036	Rotor, Hi-Cycle
6	1		416013		Rotor, Motor; Hi-Cycle
7	1		416021		Bearing, Ball
8	1		432710		Nut, Hex Jam; 5/16"; Left Hand
9	1		416012		Stator, Motor; Hi-Cycle
10	1		416050		Stator Housing; Hi-Cycle
11a	12.5 In		416048		Sleeving, Fiberglass; PVC Coated
11b	8.5 In		416048		Sleeving, Fiberglass; PVC Coated
12	1		416023		Fitting, Strain Relief; 3/8" NPTF
13	6 In		221709		Wire, #16 AWG; Green
14	1		221706		Ring, Terminal; #10; High Cycle
15	1		416046		Screw, Button Head; #10-32 x 3/8"
16	2		259601		Clamp, Center Punch; 2-3/4"
17	XX Ft*		416011		Hose, Protective; Hi-Cycle
18	XX+2 Ft*		390255		Cable, Tray; 14 AWG; 4 Cond
19	5		416047		Connector, Butt Splice
20	2		259606		Clamp, Hose; #16
21	1		417001		Switch, Rocker; w/o Housing
22	1		417000		Assy, Switch Housing; w/Switch
23	1		416045		Tubing, Rubber; Switch Bushing
24	25 Ft		399400		Cord, 4 Conductor
25	1		399401		Plug, Lock; 20A/250V/Gnd; 7411SS
26	1		416-057		Assy, Stator Housing; Hi-Cycle
27	1	416-051	416-052	416-053	Assy, Head; Hi-Cycle
28	1		417-068		Switch Kit, Hi-Cycle (For Replacement)

* - XX is length of protective hose in feet.