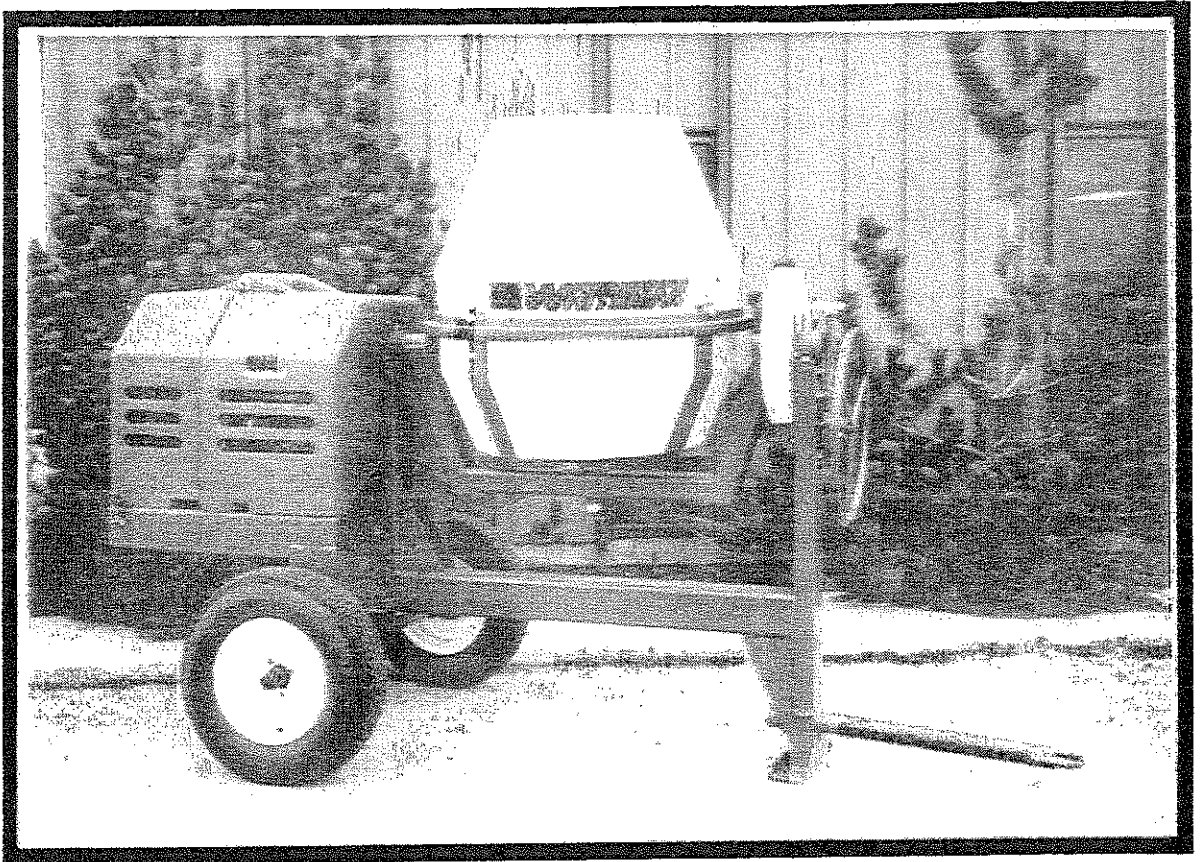




Owner's Manual & Parts List

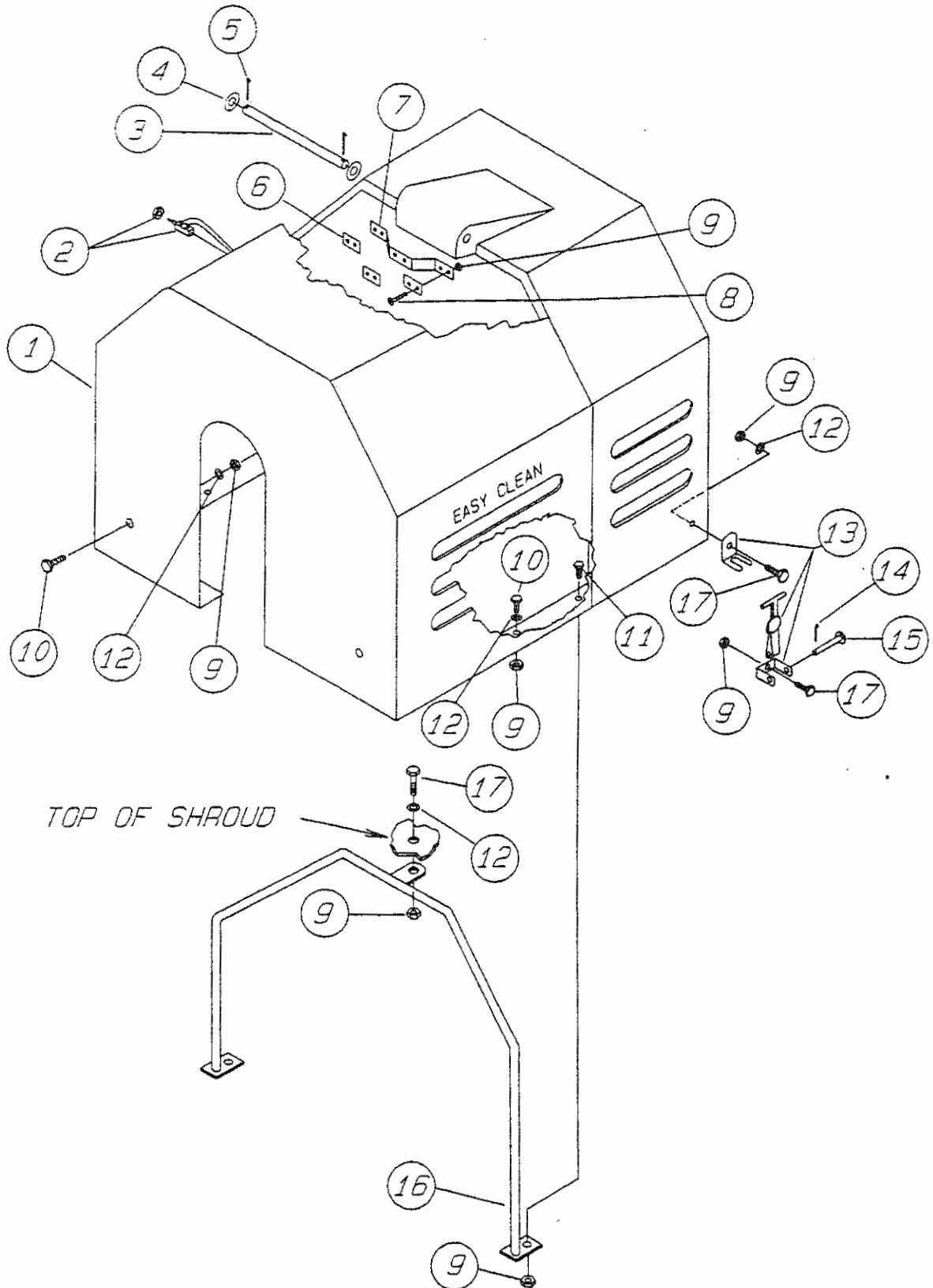
WC-60 & WC-90 Cement Mixer



WHITEMAN INDUSTRIES INC.
A MULTIQIP COMPANY

Shroud Assembly

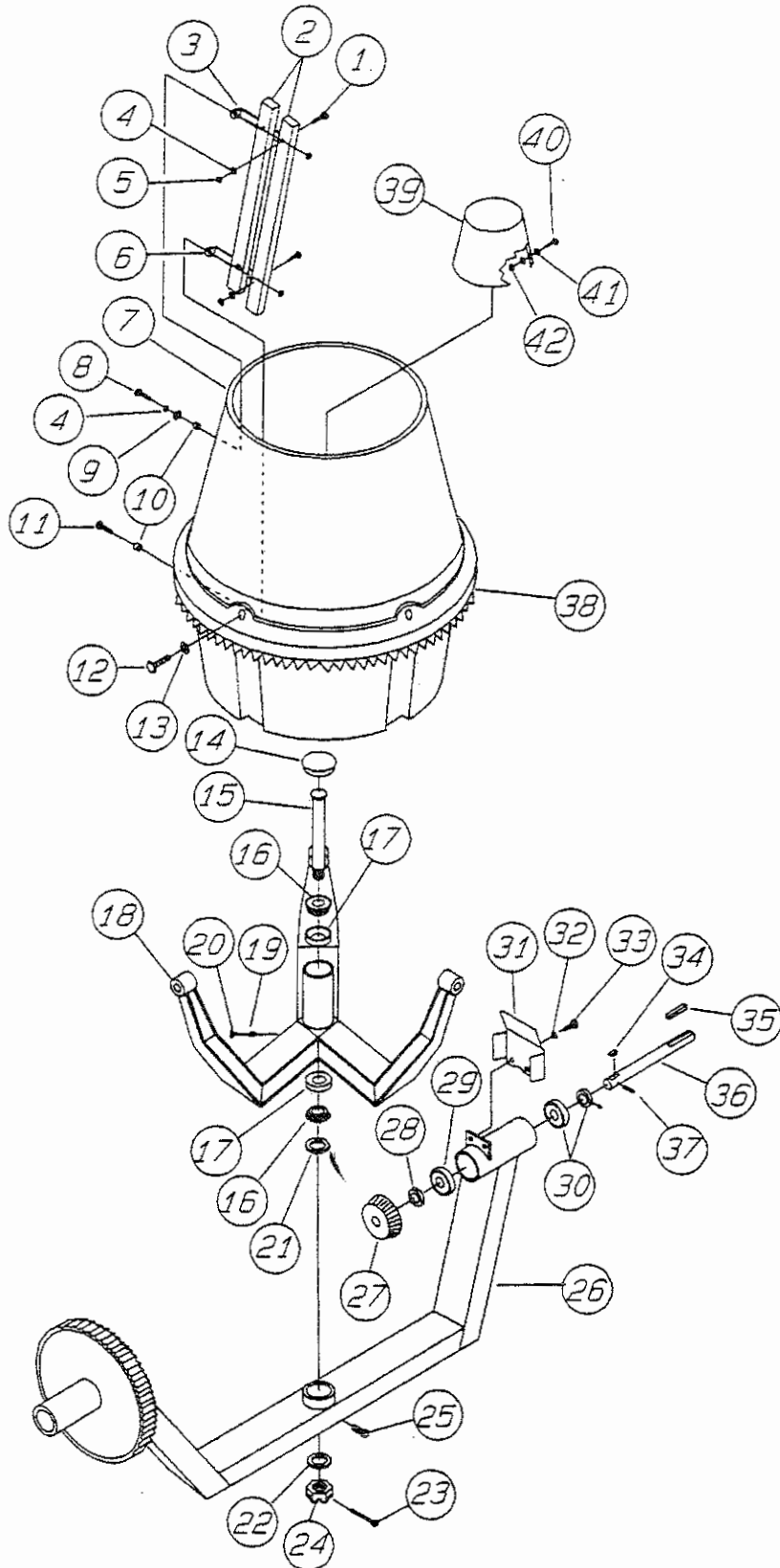
Ref No.	Description	Model No.		Part No.	Qty.
		From (incl.)	To		
1	Shroud			3100	1
2	Kill Switch Assembly (Honda/Robin)	WC-90	WC-90	3172	1
2	Kill Switch Assembly (Vanguard)	WC-90	WC-90	3153	1
2	Kill Switch Assembly (Honda/Robin)	WC-60&90-1		3274	1
2	Kill Switch Assembly (Vanguard)	WC-60&90-1		3273	1
3	Hinge Pin			3089	1
4	3/4" Flat Washer			8151	2
5	Cotter Key			183	2
6	Hinge Support Plate Small			3163	3
7	Hinge Support Plate Large			3162	1
8	1/4-20 x 1" FHSCS			3164	6
9	1/4-20 Lock Nut			10024	17
10	1/4-20 X 1" HHCS			730	4
11	1/4-20 X 1.1/4" HHCS			424	2
12	1/4" Flat Washer			948	7
13	Shroud Fastener			8124	2
14	Cotter Pin			5117	2
15	Clevis Pin			4773	2
16	Shroud Stiffener			3226	1
17	HHCS 1/4-20 x 3/4"			131A	5



When ordering parts be sure to give machine model and serial numbers.

Tub Assembly WC-60

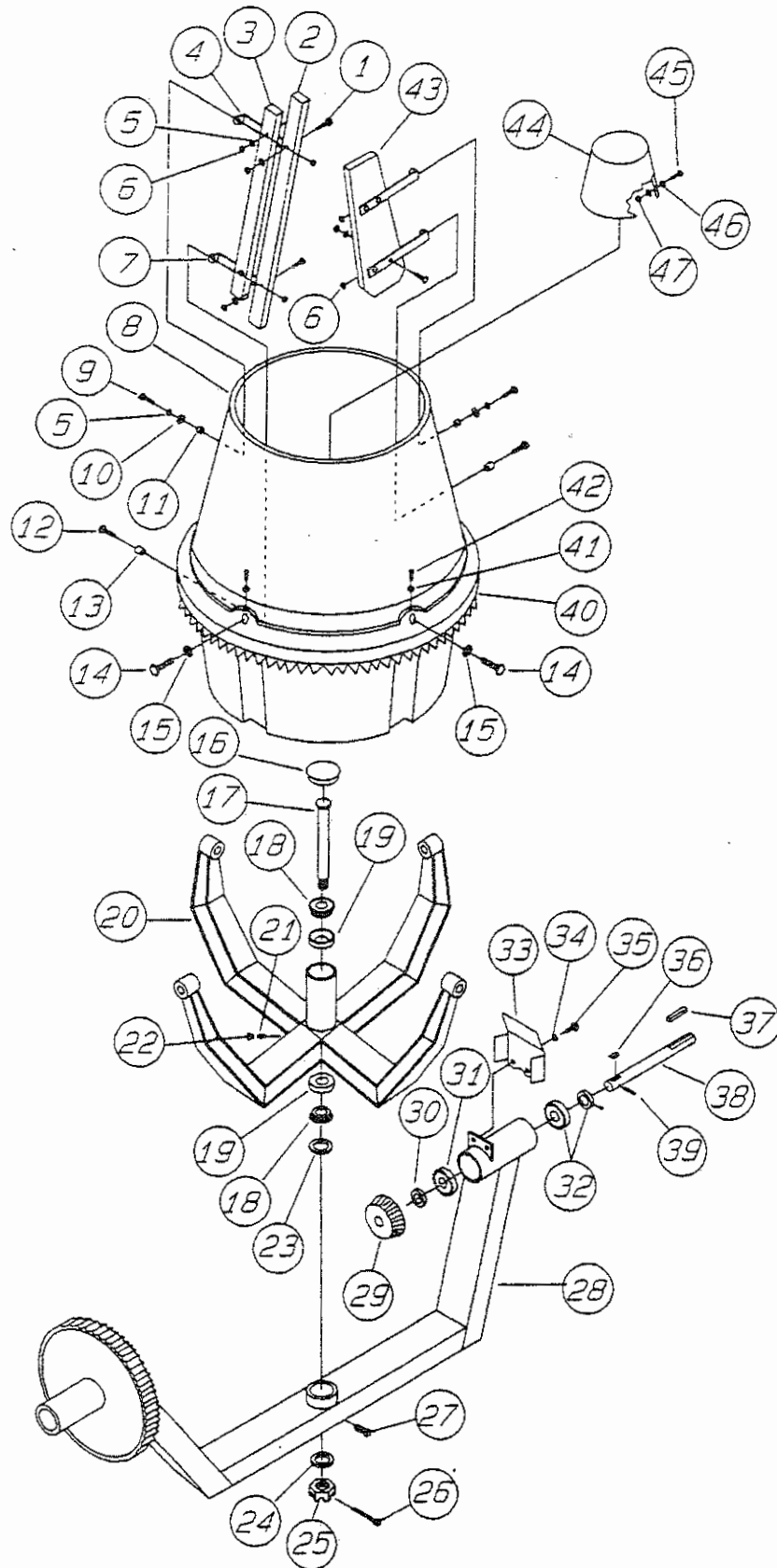
Ref No.	Description	Model No.		Part No.	Qty.
		From (incl.)	To		
1	3/8-16 X 1.3/4" HHCS			9154	12
2	Vertical Blade			3134	6
3	Blade Bracket Upper			3191	3
4	3/8" Flat Washer			4001	15
5	3/8" Lock Nut			10133	18
6	Blade Bracket Lower			3192	3
7	Plastic Tub			3098	1
8	3/8-16 X 1.1/2" HHCS			1284	3
9	3/8" Fender Washer			3233	3
10	Spacer (Short)			3232	6
11	3/8-16 X 3.1/4" HHCS			1493	3
12	5/8-11 X 2" HHCS			3125	3
13	5/8" Lock Washer			4703	3
14	Dust Cap			3248	1
15	Spindle Shaft			3267	1
16	Bearing Cone			3123	2
17	Bearing Cup			3122	2
18	Barrel Support			3120	1
19	Grease Fitting			2621	1
20	Lubra-Cap			1162A	1
21	Spacer			3265	1
22	1" Flat Washer			3264	1
23	1"-14 Castle Nut			3252	1
24	Cotter Pin			8158	1
25	1/4-20 X 5/8" SQHSS			4026	1
26	Barrel Yoke			3119	1
27	Pinion Gear			3112	1
28	Spacer			3266	1
29	Bearing (Without Set Collar)			3114	1
30	Bearing (With Set Collar)			3114	1
31	Drive Gear Guard			3190	1
32	1/4" Lock Washer			181B	2
33	1/4-20 X 1/2" HHCS			1579	2
34	Woodruff Key			0625	1
35	Square Key			310	1
36	Drive Shaft			3113	1
37	Roll Pin			4721	1
38	Ring Gear			3111	1
39	Cone			3355	1
40	HHCS 3/8-16 X 2"			1665	3
41	3/8" Flat Washer			4001	6
42	3/8-16 Locknut			10133	3



When ordering parts be sure to give machine model and serial numbers.

Tub Assembly WC-90

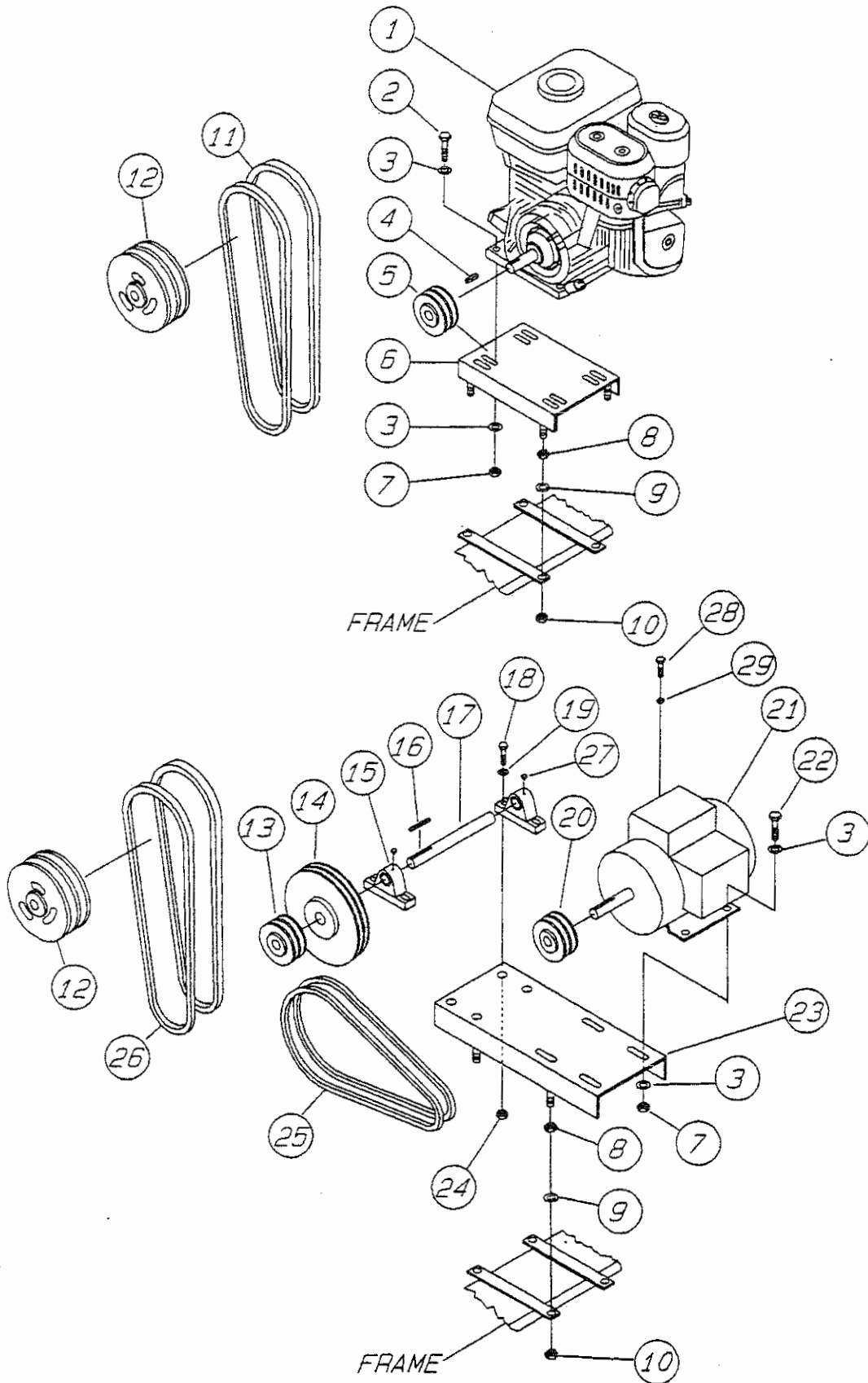
Ref No.	Description	Model No.		Part No.	Qty.
		From (incl.)	To		
1	3/8-16 X 1.3/4" HHCS			9154	16
2	Long Vertical Blade			3180	2
3	Short Vertical Blade			3183	2
4	Blade Bracket Upper			3191	4
5	3/8" Flat Washer			4001	20
6	3/8" Lock Nut			10133	16
7	Blade Bracket Lower			3192	4
8	Plastic Tub			3099	1
9	3/8-16 X 1.1/2" HHCS			1284	4
10	3/8" Fender Washer			3233	4
11	Spacer (Short)			3232	4
12	3/8-16 X 3.3/4" HHCS	WC-90	WC-90	1570	4
12	3/8-16 X 3.1/2" FHSCS	WC-90-1		3276	4
13	Spacer (Long)			3231	4
14	5/8-11 X 2" HHCS			3125	4
15	5/8" Lock Washer			4703	4
16	Dust Cap			3248	1
17	Spindle Shaft			3121	1
18	Bearing			3123	2
19	Bearing Cup			3122	2
20	Barrel Support			3188	1
21	Grease Fitting			2621	1
22	Lubra-Cap			1162A	1
23	Spacer			3265	1
24	1" Flat Washer			3264	1
25	1"-14 Castle Nut			3252	1
26	Cotter Pin			8158	1
27	1/4-20 X 5/8" SQHSS			4026	1
28	Barrel Yoke			3187	1
29	Pinion Gear			3112	1
30	Spacer			3266	1
31	Bearing (Without Set Collar)			3114	1
32	Bearing (With Set Collar)			3114	1
33	Drive Gear Guard			3190	1
34	1/4" Lock Washer			181B	2
35	1/4-20 X 1/2" HHCS			1579	2
36	Woodruff Key			0625	1
37	Square Key			310	1
38	Drive Shaft			3113	1
39	Roll Pin			4721	1
40	Ring Gear			3151	1
41	5/16-18 Hex Nut			106	4
42	5/16-18 X 1.1/2" SQHCS			9130	4
43	Shovel Blade			3181	2
44	Cone			3354	1
45	HHCS 3/8-16 X 2"			1665	4
46	3/8" Flat Washer			4001	8
47	3/8-16 Locknut			10133	4



When ordering parts be sure to give machine model and serial numbers.

Engines

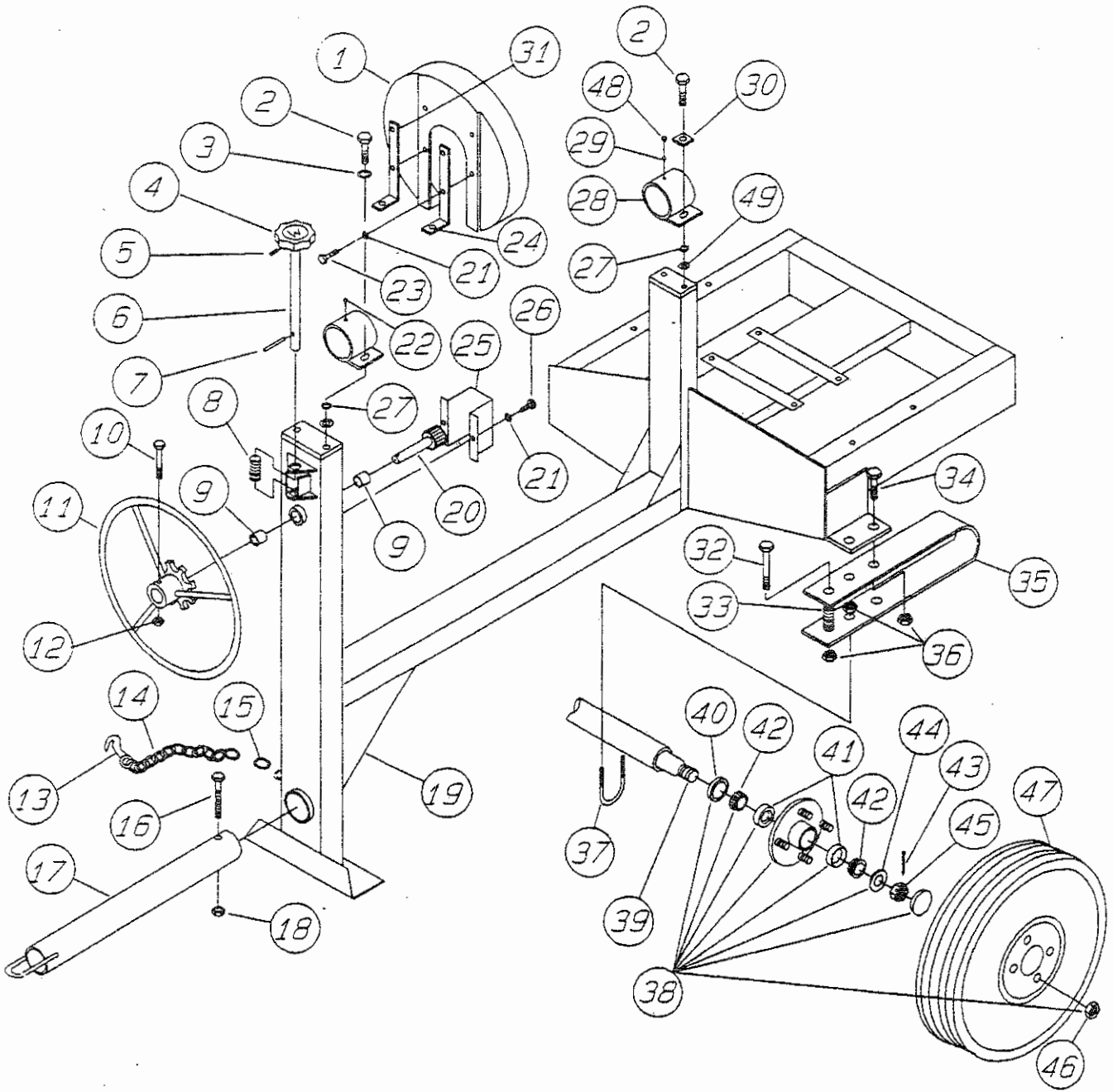
Ref No.	Description	Model No.		Part No.	Qty.
		From (incl.)	To		
1	Engine 240GX Honda 8hp.			3032	1
1	Engine WI280 Robin 7.5hp.			3033	1
1	Engine Vanguard Briggs & Stratton 9hp.			3095	1
2	5/16-18 X 1.3/4" HHCS			1207	4
3	5/16" Flat Washer			300B	16
4	Key			0310	1
5	Pulley			3176	1
6	Engine Mounting Plate			3193	1
7	5/16" Locknut			5283	8
8	1/2-13 Jam Nut			6159B	4
9	1/2" Lockwasher			5054A	4
10	1/2-13 Locknut			10176	4
11	Drive Belt B-43 (Honda,Vanguard)	WC-90		3229	2
11	Drive Belt B-45 (Robin)	WC-90		3230	2
11	Drive Belt A-39 (Honda,Vanguard)	WC-60		1619	2
11	Drive Belt A-41 (Robin)	WC-60		3271	2
12	Pulley	WC-90		3177	1
12	Pulley	WC-60		3116	1
13	Pulley	WC-90		3258	1
13	Pulley	WC-60		3285	1
14	Pulley	WC-90		3257	1
15	Bearing, Pillow Block			4182	1
16	Key			4124	1
17	Countershaft			3263	1
18	3/8-16 X 1.1/2" HHCS (Electric Motor)			1284	4
19	3/8" Flat Washer (Electric Motor)			10136	4
20	Pulley	WC-90		3256	1
20	Pulley	WC-60		3283	1
21	Electric Motor (1.5 hp.)	WC-90		3197	1
21	Electric Motor (1 hp.)	WC-60		3196	1
22	5/16-18 X 1" HHCS			202	4
23	Engine Mounting Plate			3260	1
24	3/8-16 Locknut			10133	4
25	Belt A-40			3261	2
26	Belt A-52	WC-90		3262	2
26	Belt A-51	WC-60		3288	2
27	Lubra-Cap			1162A	2
28	HHCS 1/4-20 X 1.1/4"			0424	1
29	1/4-20 Locknut			10024	1



When ordering parts be sure to give machine model and serial numbers.

Main Frame

Ref No.	Description	Model No.		Part No.	Qty.
		From (incl.)	To		
1	Dump Gear Cover			3109	1
2	1/2-13 X 1.1/2" HHCS			5218	4
3	1/2" Flat Washer			447	4
4	Hand Wheel			280B	1
5	3/8-16 X 3/4" SHSS			185	1
6	Latch Rod			3107	1
7	Roll Pin			1726	1
8	Spring			3234	1
9	Bushing			8029	2
10	5/16-18 X 2" HHCS			300A	1
11	Dump Wheel			3106	1
12	5/16-18 Lock Nut			5283	1
13	"S" Hook			3406	1
14	Safety Chain			3148	1
15	Chain Link			3149	1
16	1/2-13 X 3.1/2" HHCS			3215	1
17	Tow Bar (Standard)			3105	1
17	Tow Bar (Optional Ball Hitch)			3167	1
18	1/2-13 Lock Nut			10176	1
19	Main Frame	WC-90		3186	1
19	Main Frame	WC-60		3237	1
20	Dump Gear Pinion			3108	1
21	1/4" Lock Washer			181B	6
22	Grease Fitting (Front)			2621	1
23	1/4-20 X 3/4" HHCS			131A	4
24	Left Guard Bracket			3240	1
25	Gear Guard			3255	1
26	1/4-20 X 1/2" HHCS			1579	2
27	3/4" Ext. Shakeproof Washer			3604A	4
28	Dump Bearing Assembly			3104	2
29	Grease Zerk (Rear)			5228	1
30	1/2" Square Washer			3217	2
31	Right Guard Bracket			3179	1
32	1/2-13 x 6" HHCS			3043	2
33	Spring			3076	2
34	1/2-13 x 1.1/2" HHCS			5218	
35	Axle Spring			3018	2
36	1/2-13 Lock Nut			10176	4
37	U-Bolt			3028	2
38	Axle And Hub Assembly			3400	1
39	Axle			3014	1
40	Seal (replacement part only)			3065	2
41	Bearing Cup (replacement part only)			3067	4
42	Bearing Cone (replacement part only)			3066	4
43	Cotter Pin			183	2
44	Flat Washer			8151	2
45	Castle Nut			3068	2
46	Lug Nut			8115	8
47	Wheel And Tire			3005	2
48	Lubra-Cap			1162A	2



When ordering parts be sure to give machine model and serial numbers.