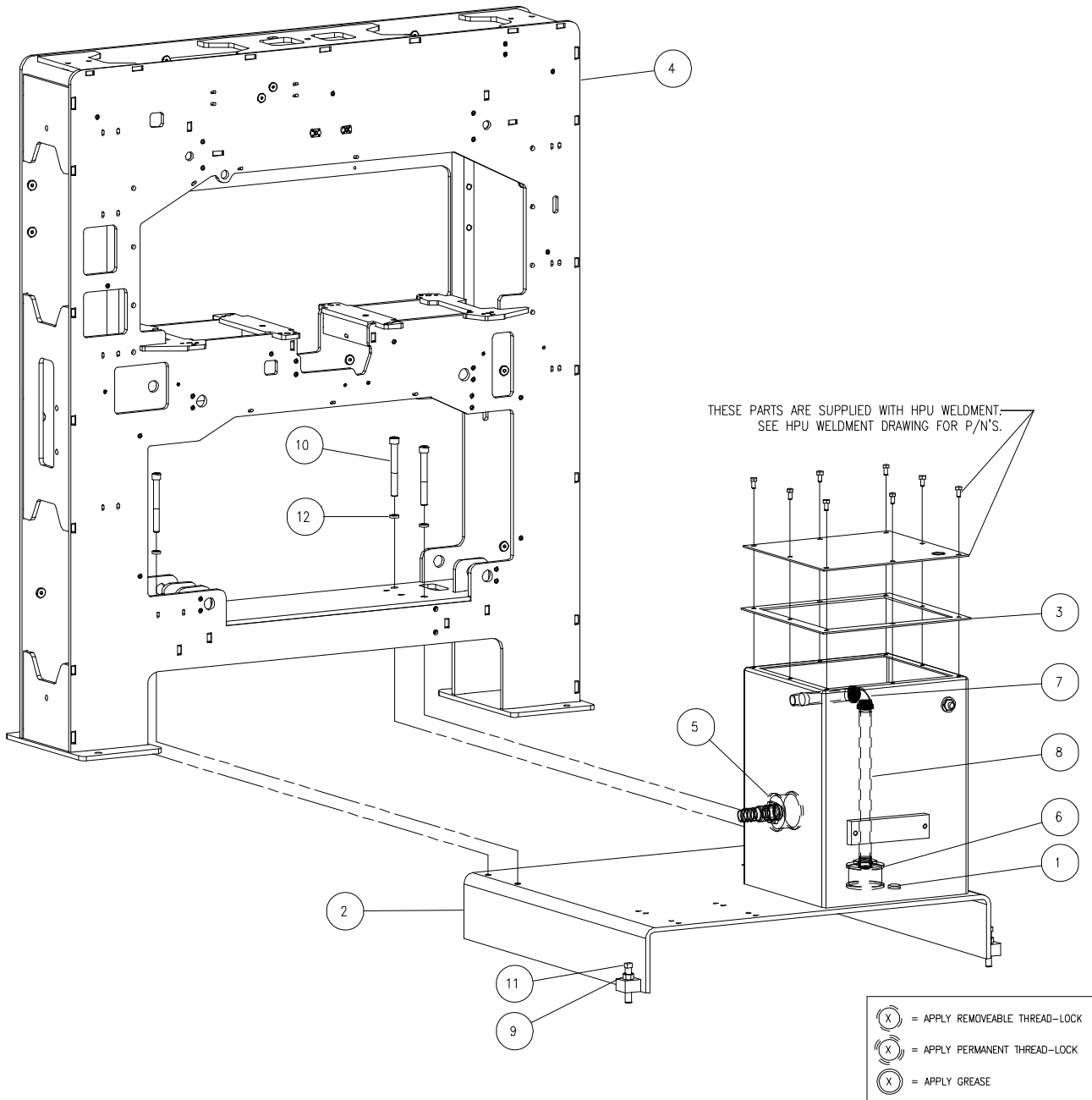


15.0 Schematics & Parts Lists

15.1 Main Assembly – Frame/Tank

47900 Sheet 1

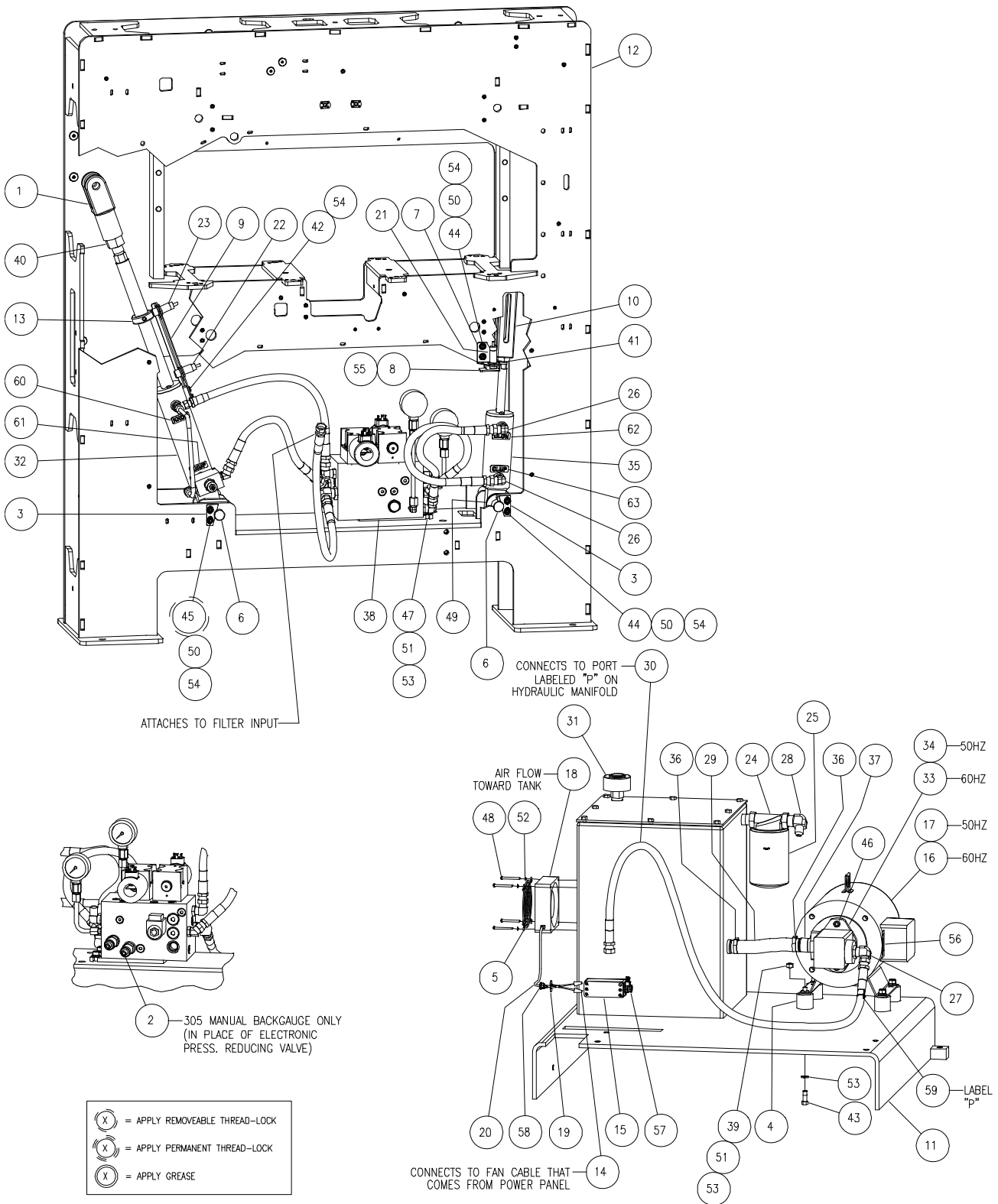


47900 Sheet 1 – Parts List

NO.	PART NO.	DESCRIPTION OF ACCESSORIES	QTY
1	47513	MAGNET –HYDRAULIC RESERVOIR	1
2	47542	HPU WELDMENT	1
3	47543	GASKET – HYDRAULIC RESERVOIR	1
4	47901	WELDMENT – 305 FRAME	1
5	H-238-4	STRAINER	1
6	H-338	DIFFUSER	1.
7	H-503	ELBOW – PIPE, 90 DEGREE ¾ NPT	1
8	H-6405-12112	NIPPLE – ¾ X ¼"	1
9	H-6417-8	NUT – ½-13 HEX	2
10	H-6918-836	SCREW – ½-13 X 4-1/2 SOCKET HD CAP	4
11	H-6931-824	SCREW – ½-13 X 3 SQUARE HD SET	2
12	H-7329-8	WASHER – ½ HIGH COLLAR LOCK	4

15.2 Main Assembly – Hydraulics

47900 Sheet 2

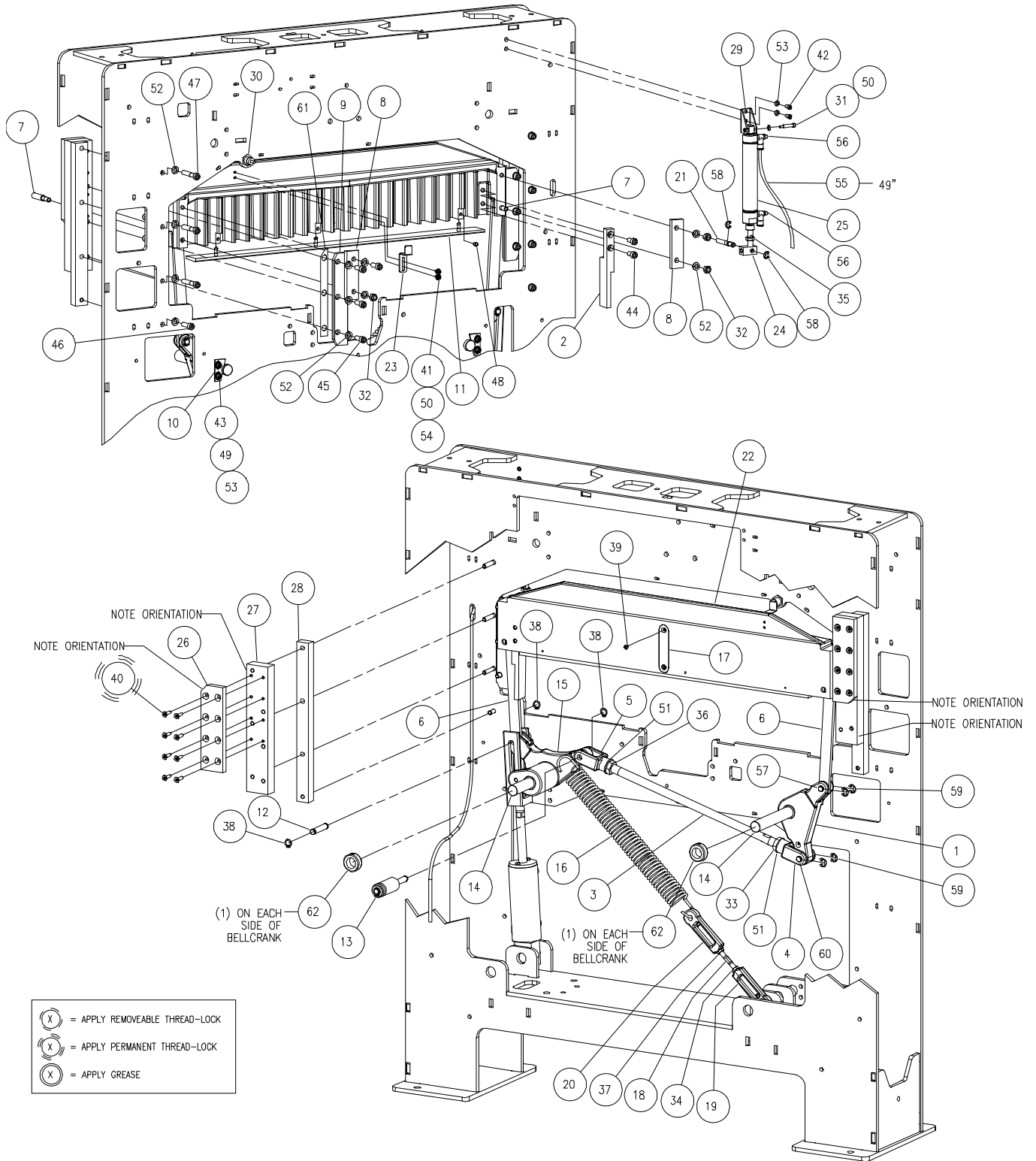


47900 Sheet 2 – Parts List

NO.	PART NO.	DESCRIPTION OF ACCESSORIES	QTY
1	4411	CLEVIS - CONN. ROD L.H.	1
2	5136	PRESSURE REDUCING VALVE	1
3	8835-1	PIN KEEPER	2
4	40016-5	MOUNT - VIBRATION	4
5	47092	GUARD - FAN	1
6	47110-1	PIN - BELL CRANK	2
7	47171-1	BRACKET - CLAMP PROX	1
8	47172-1	ACTUATOR - CLAMP PROX	1
9	47519	BRACKET - KNIFE PROX	1
10	47529	CLEVIS - CLAMP	1
11	47542	HPU WELDMENT	1
12	47901	WELDMENT - 305 FRAME	1
13	A-10644-8	COLLAR	1
14	E-1237-6	WIRE NUT - BLUE	2
15	E-1369-5	COVER - JUNCTION BOX	1
16	E-1600-181	MOTOR - 60 HZ	1
17	E-1600-183	MOTOR - 50 HZ	1
18	E-2483	FAN	1
19	E-2837	ADAPTER - KNOCK-OUT	1
20	EE-2466-2	CABLE ASM - FAN	1
21	EE-2820	PROX. ASM. - HYD UP LIMIT "H"	1
22	EE-2820-2	PROX. ASM. - KNIFE DOWN LIMIT "K"	1
23	EE-2820-5	PROX. ASM. - KNIFE UP LIMIT "U"	1
24	H-226-1	FILTER HEAD	1
25	H-227-1	FILTER	1
26	H-230-6	ELBOW- ORING TO TUBE	2
27	H-230-8	ELBOW- ORING TO TUBE	1
28	H-237-17	ELBOW- PIPE (EXT) TO TUBE	1
29	H-242-55	HOSE - 1" X 6-1/2 LOW PRESSURE	1
30	H-242-65	HYDRAULIC HOSE	1
31	H-287-2	BREATHER CAP	1
32	H-342-2	HYD. CYLINDER - KNIFE	1
33	H-387	PUMP-HYDRAULIC (5 GPM)	1
34	H-387-1	PUMP-HYDRAULIC (6 GPM)	1
35	H-431-2	HYD. CYLINDER - CLAMP	1
36	H-489	HOSE CLAMP	2
37	H-491	HOSE BARB - FILTER/TANK	1
38	H-504-1	KIT - HYDRAULIC MANIFOLD	1
39	H-6417-6	NUT - 3/8-16 HEX	4
40	H-6427-16	NUT - 1"-12 HEX	1
41	H-6428-12	NUT - 3/4-16 HEX JAM	1
42	H-6910-403	SCREW - 1/4-20 X 3/8 BUTTON HEAD CAP	2
43	H-6913-608	SCREW - 3/8-16 X 1 HEX HEAD CAP	4
44	H-6918-404	SCREW - 1/4-20 X 1/2 SOCKET HEAD CAP	4
45	H-6918-405	SCREW - 1/4-20 X 5/8 SOCKET HEAD CAP	2
46	H-6918-608	SCREW - 3/8-16 X 1 SOCKET HEAD CAP	2
47	H-6918-610	SCREW - 3/8-16 X 1-1/4 SOCKET HEAD CAP	2
48	H-6923-63228	SCREW - #6-32 X 1-3/4 ROUND HD MACH	4
49	H-7321-16	WASHER - 1" SAE PLAIN	3
50	H-7321-4	WASHER - 1/4 SAE PLAIN	6
51	H-7321-6	WASHER - 3/8 SAE PLAIN	6
52	H-7324-#6	WASHER - #6 INT TOOTH	4
53	H-7327-12	WASHER - 3/8 MEDIUM LOCK	10
54	H-7327-8	WASHER - 1/4 MEDIUM LOCK	8
55	H-21S-125-0500	ROLL PIN - 1/8 X 1/2	1
56	S-1106	DECAL- RED ARROW	1
57	S-1350-16	STRAIN RELIEF BUSHING	1
58	S-1350-18	STRAIN RELIEF BUSHING	1
59	S-1694-5	TYRAP - IDENTIFICATION	1
60	S-1781-61	LABEL - KNDN	1
61	S-1781-62	LABEL - KNUP	1
62	S-1781-63	LABEL - KNUP	1
63	S-1781-64	LABEL - KNUP	1

15.3 Main Assembly – Clamp

47900 Sheet 3

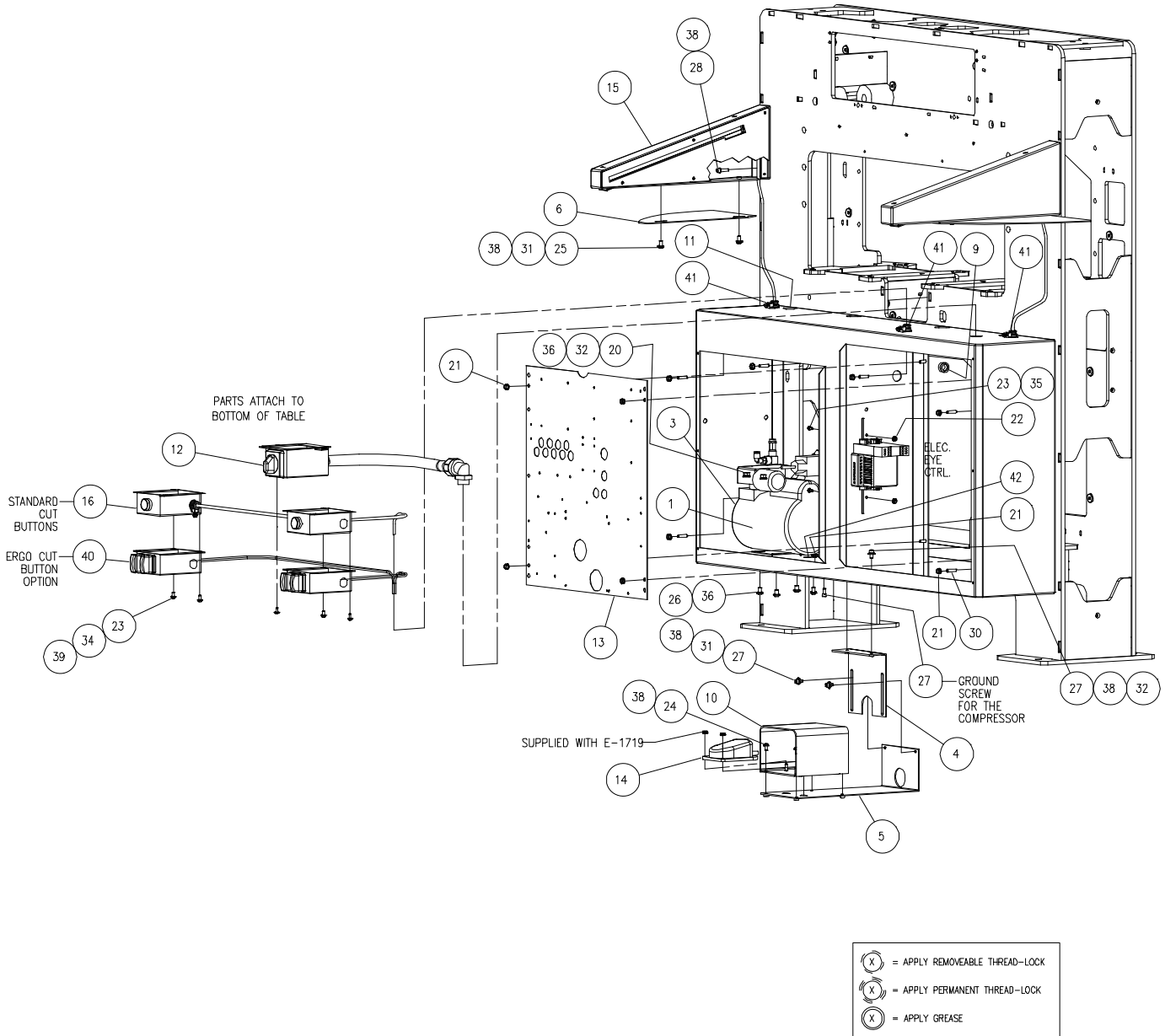


47900 Sheet 3 – Parts List

NO.	PART NO.	DESCRIPTION	QTY
1	4406-D-1	BELLCRANK ASM - R.H. CLAMP	1
2	4441-1	DEFLECTOR - PAPER, BLOCK	1
3	4461	ROD - CLAMP CONNECTOR	1
4	4465	CLEVIS - CONN. ROD R.H.	1
5	4466	CLEVIS - CONN. ROD L.H.	1
6	4504-2	BAR - CLAMP PULL DOWN	2
7	4506	STUD - CLAMP PULL DOWN	2
8	4508	BAR - CLAMP GUIDE	2
9	4509-1	BAR - CLAMP GUIDE	2
10	8835-1	PIN KEEPER	2
11	47006-2	FALSE CLAMP PLATE ASSEMBLY	1
12	47063	PIN- CLAMP CYLINDER CLEVIS	1
13	47090	PIN ASSEMBLY - SPRING	1
14	47110-1	PIN - BELL CRANK	2
15	47123-2	BELLCRANK ASM - L.H. CLAMP	1
16	47136-2	SPRING	1
17	47252	CLAMP WEAR STRIP	1
18	47253	TIE ROD - CLAMP RETURN	1
19	47254	CLEVIS - R.H.	1
20	47255	CLEVIS - L.H.	1
21	47266	STUD - HYDRAULIC DAMPER	1
22	47522	CLAMP - 305	1
23	47528-1	LIMIT SWITCH ACTUATOR - CLAMP UP	1
24	47556-2	ROD END	1
25	47643-1	AIR CYLINDER - CLAMP	1
26	47940	REAR GIB	2
27	47941	REAR GIB SUPPORT	2
28	47942	REAR SUPPORT	2
29	47953	CLEVIS BRACKET	1
30	EE-2820-4	PROX. ASM. - CLAMP UP "C"	1
31	H-5254-408	SCREW - 1/4 X 1 SHSS	1
32	H-6417-6	NUT - 3/8-16 HEX	3
33	H-6424-12	NUT - 3/4-10 HEX JAM	1
34	H-6424-6	NUT - 3/8-16 HEX JAM	1
35	H-6428-7	NUT - 7/16-20 HEX JAM	1
36	H-6433-12	NUT - 3/4-10 L.H. HEX JAM	1
37	H-6433-6	NUT - 3/8-16 L.H. HEX JAM	1
38	H-6451-0500	RING - EXTERNAL GRIPPING	3
39	H-6897-102403	SCREW - #10-24 X 3/8" FLAT HEAD CAP	2
40	H-6909-408	SCREW - 1/4-20 X 1" FLAT HEAD CAP	16
41	H-6918-102404	SCREW - #10-24 X 1/2 SOCKET HEAD CAP	2
42	H-6918-404	SCREW - 1/4-20 X 1/2 SOCKET HEAD CAP	4
43	H-6918-405	SCREW - 1/4-20 X 5/8 SOCKET HEAD CAP	2
44	H-6918-606	SCREW - 3/8-16 X 3/4 SOCKET HEAD CAP	2
45	H-6918-608	SCREW - 3/8-16 X 1 SOCKET HEAD CAP	7
46	H-6918-610	SCREW - 3/8-16 X 1-1/4 SOCKET HEAD CAP	2
47	H-6918-618	SCREW - 3/8-16 X 2-1/4 SOCKET HEAD CAP	6
48	H-6951-406	SCREW - 1/4-20 X 3/8 NYLOK FLT PT SOC SET	3
49	H-7321-4	WASHER - 1/4 SAE PLAIN	4
50	H-7321-#10	WASHER - #10 SAE PLAIN	3
51	H-7324-24	WASHER - 3/4 INT TOOTH	2
52	H-7327-12	WASHER - 3/8 MEDIUM LOCK	18
53	H-7327-8	WASHER - 1/4 MEDIUM LOCK	6
54	H-7327-#10	WASHER - #10 MEDIUM LOCK	2
55	P-303_X_49INCHES	1/4" O.D. POLYETHYLENE TUBING	1
56	P-304	FLOW CONTROL ELBOW-1/4 TUBE X 1/8 NPT	2
57	S-482-1	STRAIGHT ROD END PIN	1
58	S-1193-37	E-RING - 3/8"	2
59	S-1193-50	E-RING - 1/2"	4
60	S-1195	STRAIGHT ROD END PIN	1
61	S-1861	SHIM - CLAMP GUIDE	2
62	SS-798	COLLAR	4

15.4 Main Assembly– Electrical Components, Lower Front

47900 Sheet 5

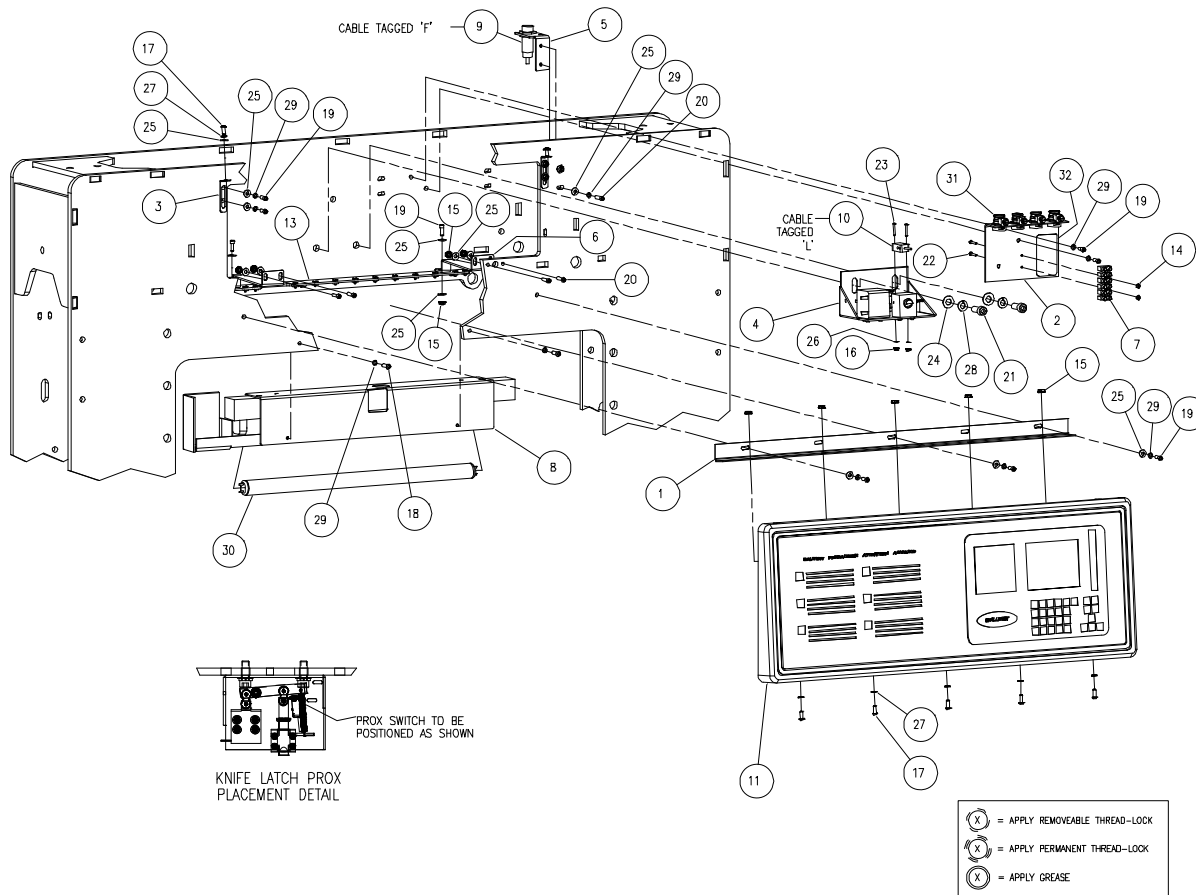


47900 Sheet 5 – Parts List

NO.	PART NO.	DESCRIPTION	QTY
1	40016-8	MOUNT - VIBRATION	4
2	47033-3	FRONT ENCLOSURE	1
3	47645-1	CLAMP COMPRESSOR ASSEMBLY	1
4	47646	FOOT SWITCH BRACKET	1
5	47647	FOOT SWITCH BRACKET	1
6	47943	SHIELD - TABLE	2
7			
8			
9	E-1172-10	SNAP-IN BUSHING	1
10	E-1719	FOOTSWITCH GUARD	1
11	E-2196-17	HOLE PLUG	4
12	EE-2830	MAIN DISCONNECT SWITCH ASM	1
13	EE-3170-2	ELECTRICAL PANEL ASM	1
14	EE-3207	FOOT SWITCH ASSEMBLY	1
15	EE-3339	ELECTRIC EYE ASM W/ CONTROLS	1
16	EE-3374	CUT BUTTON SWITCH ASM	1
17			
18			
19			
20	H-6417-5	NUT - 5/16-18 HEX	4
21	H-6423-4	NUT - 1/4-20 HEX KEP	11
22	H-6423-#10	NUT - #10-24 HEX KEP	4
23	H-6910-102404	SCREW - #10-24 X 1/2 BUTTON HEAD CAP	7
24	H-6910-404	SCREW - 1/4-20 X 1/2 BUTTON HEAD CAP	6
25	H-6910-405	SCREW - 1/4-20 X 5/8 BUTTON HEAD CAP	4
26			
27	H-6918-404	SCREW - 1/4-20 X 1/2 SOCKET HEAD CAP	5
28	H-6918-406	SCREW - 1/4-20 X 3/4 SOCKET HEAD CAP	4
29	H-6918-504	SCREW - 5/16-18 X 1/2 SOCKET HEAD	4
30	H-6940-416	SCREW - 1/4-20 X 1 FLAT SOC SET	6
31	H-7321-4	WASHER - 1/4 SAE PLAIN	8
32	H-7321-5	WASHER - 5/16 SAE PLAIN	4
33			
34	H-7321-#10	WASHER - #10 SAE PLAIN	7
35	H-7324-#10	WASHER - #10 INT TOOTH	2
36	H-7327-10	WASHER - 5/16 MEDIUM LOCK	8
37			
38	H-7327-8	WASHER - 1/4 MEDIUM LOCK	18
39	H-7327-#10	WASHER - #10 MEDIUM LOCK	7
40	K-3379	ERGO CUT BUTTON SWITCH ASM	1
41	S-1350-16	STRAIN RELIEF BUSHING	3
42	S-1781-42	LABEL - GROUND	1

15.5 Main Assembly – Electrical Components, Upper

47900 sheet 6 (w/Fluorescent Table Light)

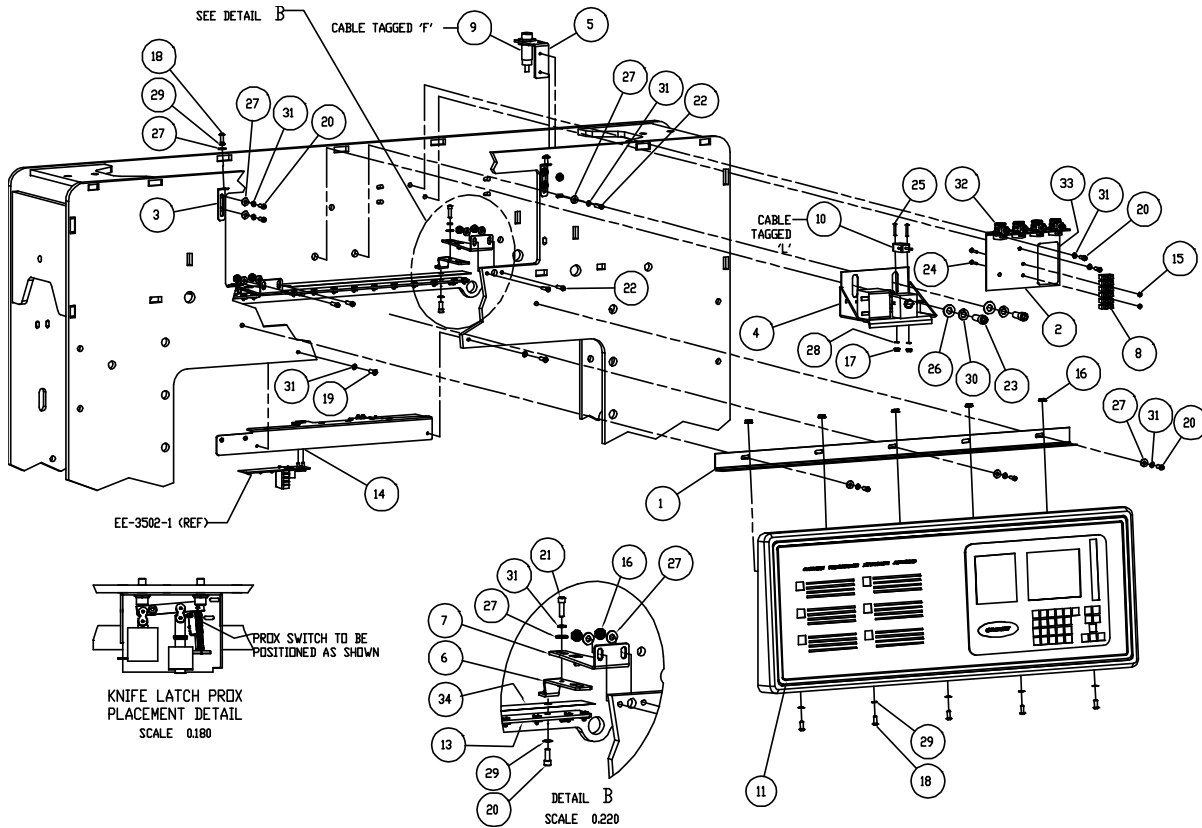


47900 sheet 6 – Parts List (w/Fluorescent Table Light)

NO.	PART NO.	DESCRIPTION	QTY
1	16047	HINGE- MPS CONSOLE	1
2	47195	BRACKET - ARCH JUNCTION	1
3	47502	BRACKET - CONSOLE	2
4	47568-1	ASSEMBLY - KNIFE LATCH	1
5	47958	PROX SENSOR BRACKET	1
6	47959	LINE LIGHT BRACKET	2
7	E-2626-6	TERMINAL STRIP (6P)	1
8	EE-2149-9	TABLE LIGHT ASSEMBLY	1
9	EE-2820-11	PROX. ASM. - FALSE CLAMP PLATE "F"	REF
10	EE-2842-1	PROX. ASM.- KNIFE LATCH "L"	REF
11	EE-2850-2	CONTROL CONSOLE ASSEMBLY	1
12			
13	EE-3489	LED LINE LIGHT BOARD (S/N: 305M-J-151076 & UP) FOR INCANDESCENT TYPE, SEE SECTION 15.25 ON PG. 117.	1
14	H-6417-#4	NUT - #4-40 HEX	2
15	H-6423-#10	NUT - #10-24 HEX KEP	11
16	H-6423-#4	NUT - #4-40 HEX KEP	2
17	H-6910-102404	SCREW - #10-24 X 1/2 BUTTON HEAD CAP	7
18	H-6910-102406	SCREW - #10-24 X 3/4 BUTTON HEAD CAP	2
19	H-6918-102404	SCREW - #10-24 X 1/2 SOCKET HEAD CAP	11
20	H-6918-102406	SCREW - #10-24 X 3/4 SOCKET HEAD CAP	6
21	H-6918-608	SCREW - 3/8-16 X 1 SOCKET HEAD CAP	2
22	H-6922-44012	SCREW - #4-40 X 3/4 FLAT HEAD CAP	2
23	H-6923-44012	SCREW - #4-40 X 3/4 ROUND HD MACH	2
24	H-7321-6	WASHER - 3/8 SAE PLAIN	2
25	H-7321-#10	WASHER - #10 SAE PLAIN	19
26	H-7321-#4	WASHER - #4 SAE PLAIN	2
27	H-7324-#10	WASHER - #10 INT TOOTH	7
28	H-7327-12	WASHER - 3/8 MEDIUM LOCK	2
29	H-7327-#10	WASHER - #10 MEDIUM LOCK	13
30	S-845	LAMP T8 15W 18"	1
31	S-1350-16	STRAIN RELIEF BUSHING	4
32	S-1781-12	LABEL - SHOCK HAZARD	1

15.6 Main Assembly – Electrical Components, Upper

47900 Sheet 6 (w/LED Table Light)

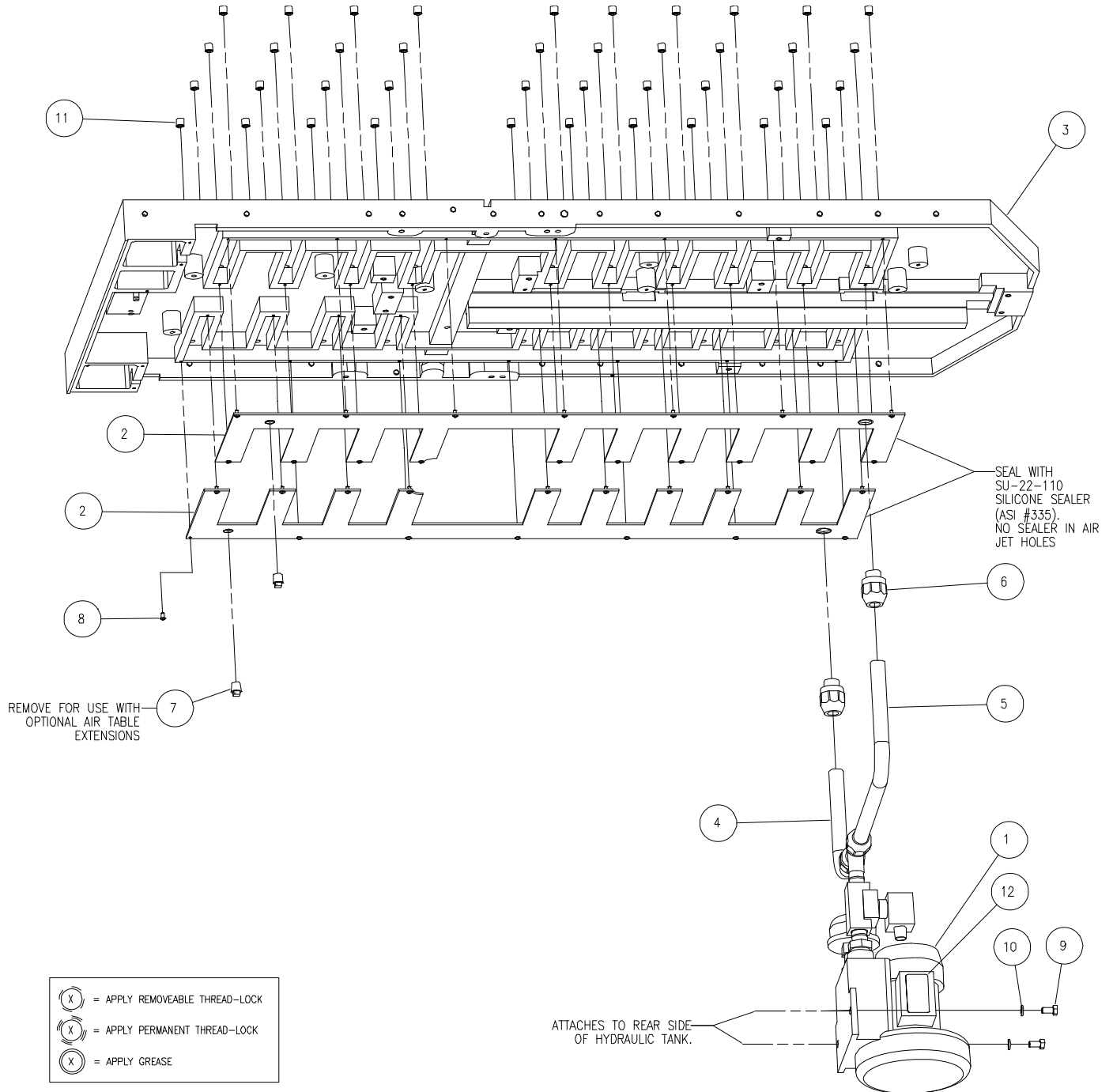


47900 Sheet 6 – Parts List (w/LED Table Light)

NO.	PART NO.	DESCRIPTION	QTY
1	16047	HINGE- MPS CONSOLE	1
2	47195	BRACKET - ARCH JUNCTION	1
3	47502	BRACKET - CONSOLE	2
4	47568-1	ASSEMBLY - KNIFE LATCH	1
5	47958	PROX SENSOR BRACKET	1
6	47961	LINE LIGHT BRACKET - LOWER	2
7	47962	LINE LIGHT BRACKET - UPPER	2
8	E-2626-6	TERMINAL STRIP – 6 POS	2
9	EE-2820-11	PROX. ASM. - FALSE CLAMP PLATE "F"	REF
10	EE-2842-1	PROX. ASM.- KNIFE LATCH "L"	REF
11	EE-2850-2	CONTROL CONSOLE ASSEMBLY	1
12			
13	EE-3489	LED LINE LIGHT BOARD (S/N: 305M-J-151076 & UP) FOR INCANDESCENT TYPE, SEE SECTION 15.25 ON PG. 117.	1
14	EE-3571	TABLE LIGHT (LED) ASSEMBLY	1
15	H-6417-#4	NUT - #4-40 HEX	2
16	H-6423-#10	NUT - #10-24 HEX KEP	9
17	H-6423-#4	NUT - #4-40 HEX KEP	2
18	H-6910-102404	SCREW - #10-24 X 1/2 BUTTON HEAD CAP	7
19	H-6910-102406	SCREW - #10-24 X 3/4 BUTTON HEAD CAP	2
20	H-6918-102404	SCREW - #10-24 X 1/2 SOCKET HEAD CAP	11
21	H-6918-102405	SCREW - #10-24 X 5/8 SOCKET HEAD CAP	2
22	H-6918-102406	SCREW - #10-24 X 3/4 SOCKET HEAD CAP	6
23	H-6918-608	SCREW - 3/8-16 X 1 SOCKET HEAD CAP	2
24	H-6922-44012	SCREW - #4-40 X 3/4 FLAT HEAD CAP	2
25	H-6923-44012	SCREW - #4-40 X 3/4 ROUND HD MACH	2
26	H-7321-6	WASHER - 3/8 SAE PLAIN	2
27	H-7321-#10	WASHER - #10 SAE PLAIN	17
28	H-7321-#4	WASHER - #4 SAE PLAIN	2
29	H-7324-#10	WASHER - #10 INT TOOTH	9
30	H-7327-12	WASHER - 3/8 MEDIUM LOCK	2
31	H-7327-#10	WASHER - #10 MEDIUM LOCK	15
32	S-1350-16	STRAIN RELIEF BUSHING	4
33	S-1781-12	LABEL - SHOCK HAZARD	1
34	S-1781-227	SHIELD – SHORT CIRCUIT	1

15.7 Main Assembly – Air Table Option

47900 Sheet 7

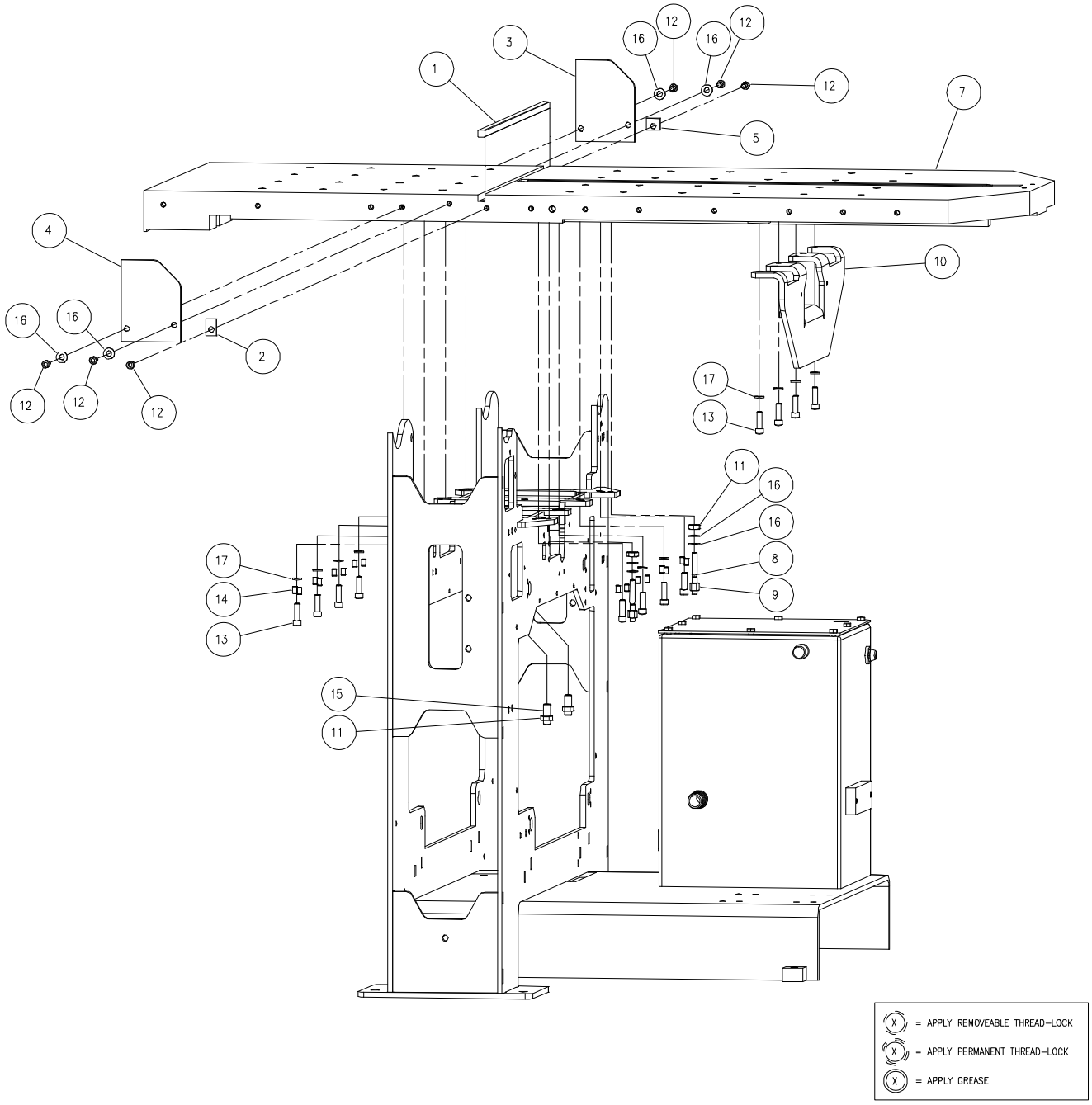


47900 Sheet 7 – Parts List

NO.	PART NO.	DESCRIPTION	QTY
1	47578	BLOWER ASSEMBLY	1
2	47652	AIR CHANNEL COVER	2
3	47654-1	305 TABLE, AIR	1
4	E-2189-2_X_14INCHES	TUBING - CORRUGATED, FLEXIBLE - 14"	1
5	E-2189-2_X_23INCHES	TUBING - CORRUGATED, FLEXIBLE - 23"	1
6	E-2191-2	3/4 CONDUIT FITTING	2
7	H-6650-6	3/8 NPT PLUG - PLASTIC	2
8	H-6910-102403	SCREW - #10-24 X 3/8 BUTTON HEAD CAP	34
9	H-6913-606	SCREW - 3/8-16 X 3/4 HEX HEAD CAP	2
10	H-7327-12	WASHER - 3/8 MEDIUM LOCK	2
11	P-207-2	AIR JET	40
12	S-1781-12	LABEL - SHOCK HAZARD	1

15.8 Main Assembly – Table Mounting

47900 Sheet 8

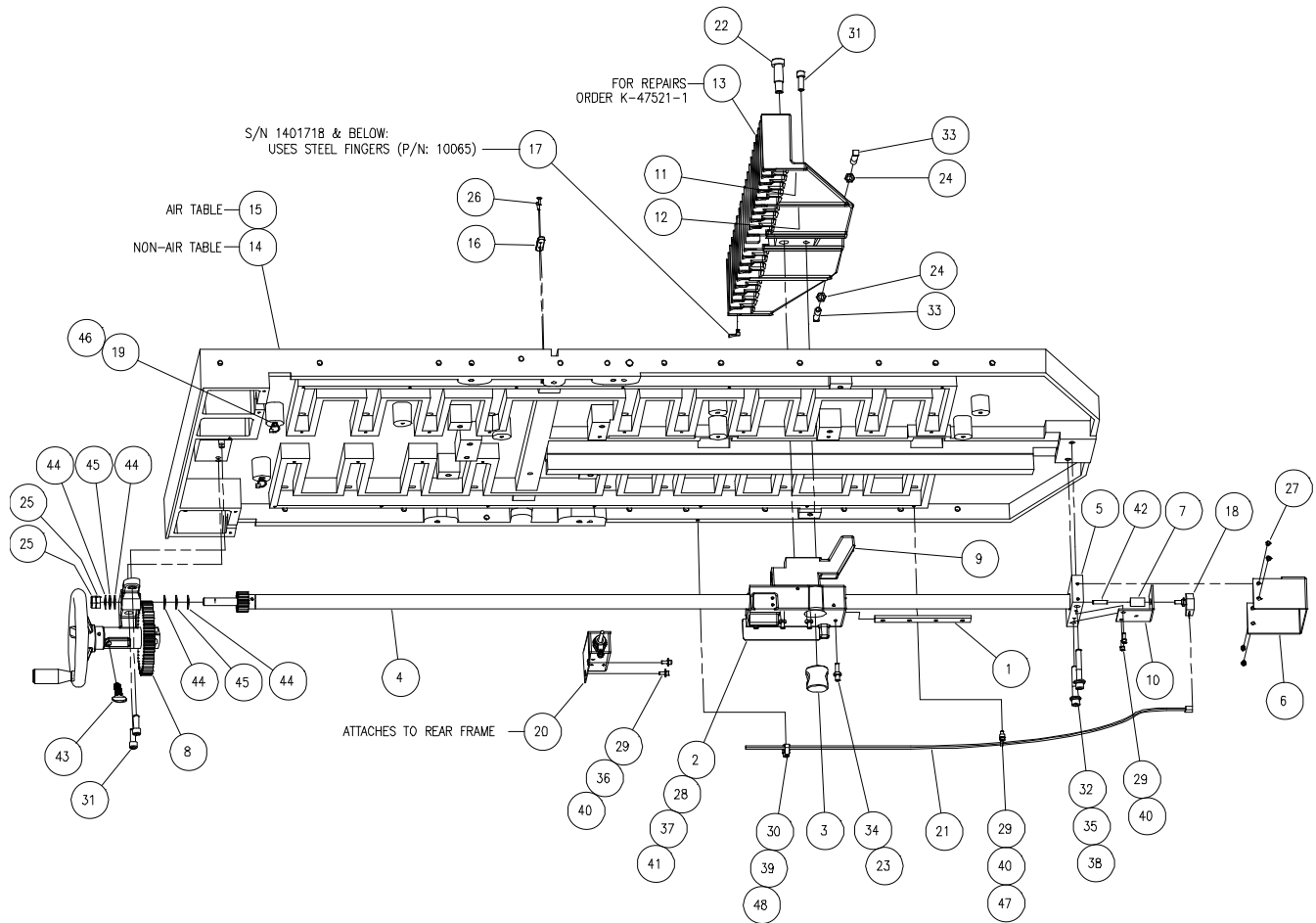


47900 Sheet 8 – Parts List

NO.	PART NO.	DESCRIPTION	QTY
1	4171	CUT STICK - 305	1
2	4542	STOP - STICK, RH	1
3	47115-1	TABLE GUIDE - LH FRONT	1
4	47116-1	TABLE GUIDE - RH FRONT	1
5	47630	CUT STICK STOP	1
6			
7	47654	305 TABLE, NON-AIR	1
	47654-1	305 TABLE, AIR	
8	47662	#7 TAPER PIN WITH STUD	2
9	47666	NUT - 3/8-24 HIGH HEX	2
10	47952	TABLE BRACE	1
11	H-6424-8	NUT - 1/2-13 HEX JAM	4
12	H-6918-606	SCREW - 3/8-16 X 3/4 SOCKET HEAD CAP	6
13	H-6918-610	SCREW - 3/8-16 X 1-1/4 SOCKET HEAD CAP	12
14	H-6951-508	SCREW - 5/16 X 1/2 NYLOK FLT PT SOC SET	16
15	H-6951-824	SCREW - 1/2-13 X 1-1/2 NYLOK FLT PT SOC SET	2
16	H-7321-6	WASHER - 3/8 SAE PLAIN	8
17	H-7327-12	WASHER - 3/8 MEDIUM LOCK	14

15.9 Main Assembly – Backgauge Assembly

47900 Sheet 9 & 10



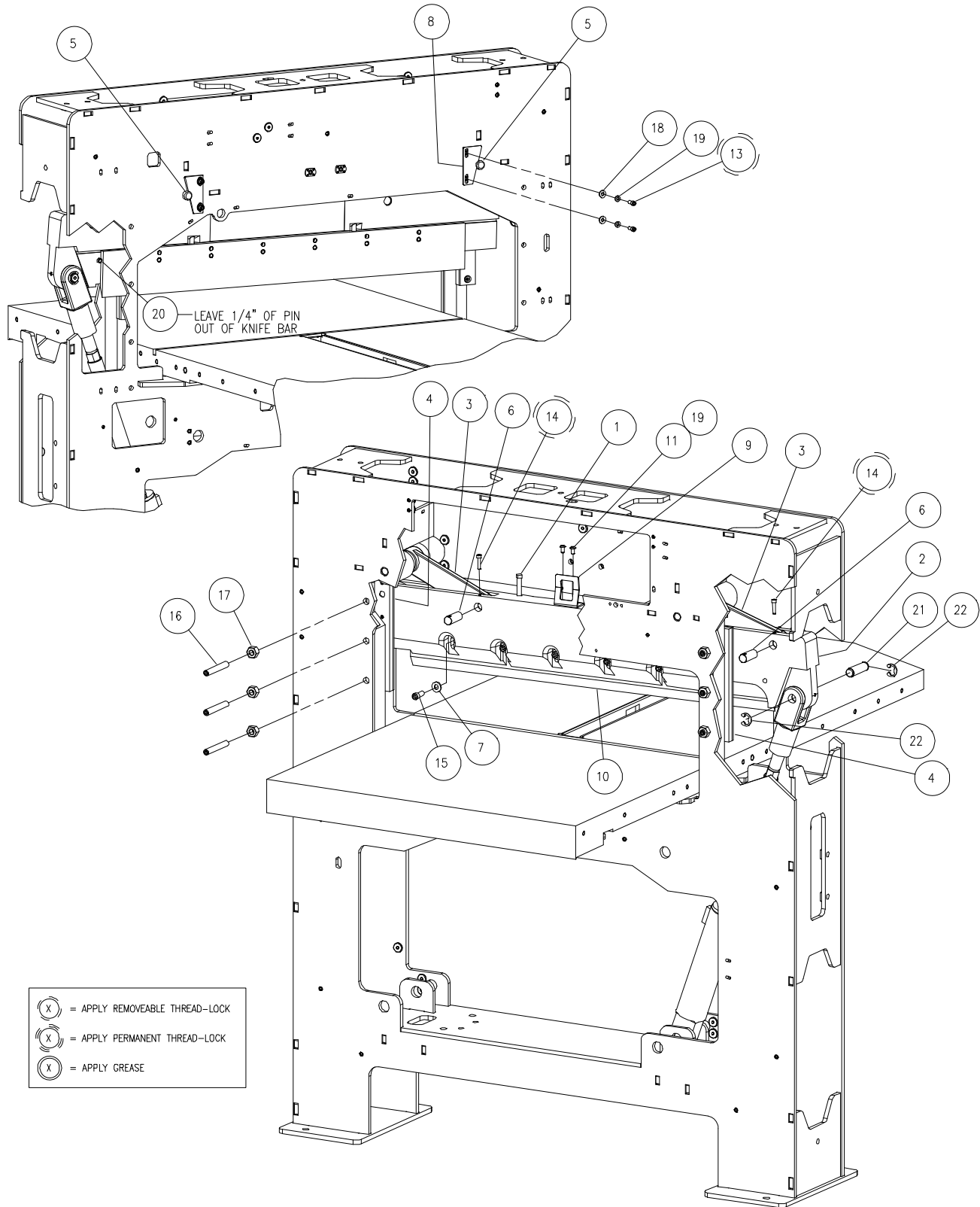
- = APPLY REMOVEABLE THREAD-LOCK
- = APPLY PERMANENT THREAD-LOCK
- = APPLY GREASE

47900 Sheet 9 & 10 – Parts List Continued

NO.	PART NO.	DESCRIPTION	QTY
1	4510	GIB - BACKGAUGE NUT	2
2	8641-2	ACTUATOR - PRESET	1
3	47029	LEADSCREW NUT- 305 MANUAL B.G.	1
4	47030	LEADSCREW ASSEMBLY - 305 MANUAL B.G.	1
5	47043	PILLOW BLOCK ASSEMBLY - REAR	1
6	47045	COVER - ENCODER	1
7	47053	COUPLING	1
8	47059	HANDWHEEL ASSEMBLY	1
9	47135-1	NUT- BACKGAUGE	1
10	47154	BRACKET - ENCODER	1
11	47269_X_2INCHES	UHMW TAPE - 3/8" W X 2" LONG	2
12	47269_X_5PT5INCHES	UHMW TAPE - 3/8" W X 5.5" LONG	6
13	47521-1	305 BACKGAUGE - NEW STYLE FINGERS	1
14	47654	305 TABLE, NON-AIR	1
15	47654-1	305 TABLE, AIR	1
16	47669	FILLER- SLOT CLOSURE	1
17	60204	FLOATING FINGER - NYLON	20
18	E-2467	ENCODER	1
19	E-2883	ANCHOR- TYRAP	2
20	EE-2817-1	PRESET ASSEMBLY - CONTROL	1
21	EE-2838-3	CABLE ASM - ENCODER	1
22	H-5254-1010	SCREW - 5/8 X 1-1/4 SHSS	1
23	H-6424-4	NUT - 1/4-20 HEX JAM	8
24	H-6424-6	NUT - 3/8-16 HEX JAM	2
25	H-6428-8	NUT - 1/2-20 HEX JAM	2
26	H-6909-63204	SCREW - #6-32 X 1/2" FLAT HEAD CAP	2
27	H-6910-102403	SCREW - #10-24 X 3/8 BUTTON HEAD CAP	4
28	H-6910-83204	SCREW - #8-32 X 1/2 BUTTON HEAD CAP	2
29	H-6918-102404	SCREW - #10-24 X 1/2 SOCKET HEAD CAP	5
30	H-6918-404	SCREW - 1/4-20 X 1/2 SOCKET HEAD CAP	1
31	H-6918-608	SCREW - 3/8-16 X 1 SOCKET HEAD CAP	3
32	H-6918-620	SCREW - 3/8-16 X 2-1/2 SOCKET HEAD CAP	2
33	H-6931-614	SCREW - 3/8-16 X 1-3/4 SQUARE HEAD SET	2
34	H-6940-420	SCREW - 1/4-20 X 1-1/4 FLAT SOC SET	8
35	H-7321-6	WASHER - 3/8 SAE PLAIN	2
36	H-7321-#10	WASHER - #10 SAE PLAIN	2
37	H-7321-#8	WASHER - #8 SAE PLAIN	2
38	H-7327-12	WASHER - 3/8 MEDIUM LOCK	2
39	H-7327-8	WASHER - 1/4 MEDIUM LOCK	1
40	H-7327-#10	WASHER - #10 MEDIUM LOCK	5
41	H-7327-#8	WASHER - #8 MEDIUM LOCK	2
42	H-21S-250-1000	ROLL PIN - 1/4 X 1	1
43	S-653-1	THUMBSCREW- 3/8 X 2"	1
44	S-1295-5	THRUST WASHER	4
45	S-1300	THRUST BEARING	2
46	S-1694	TYRAP	2
47	S-1694-2	TYRAP - #10	1
48	S-1694-3	CABLE TIE	1

15.10 Main Assembly – Knife

47900 Sheet 11

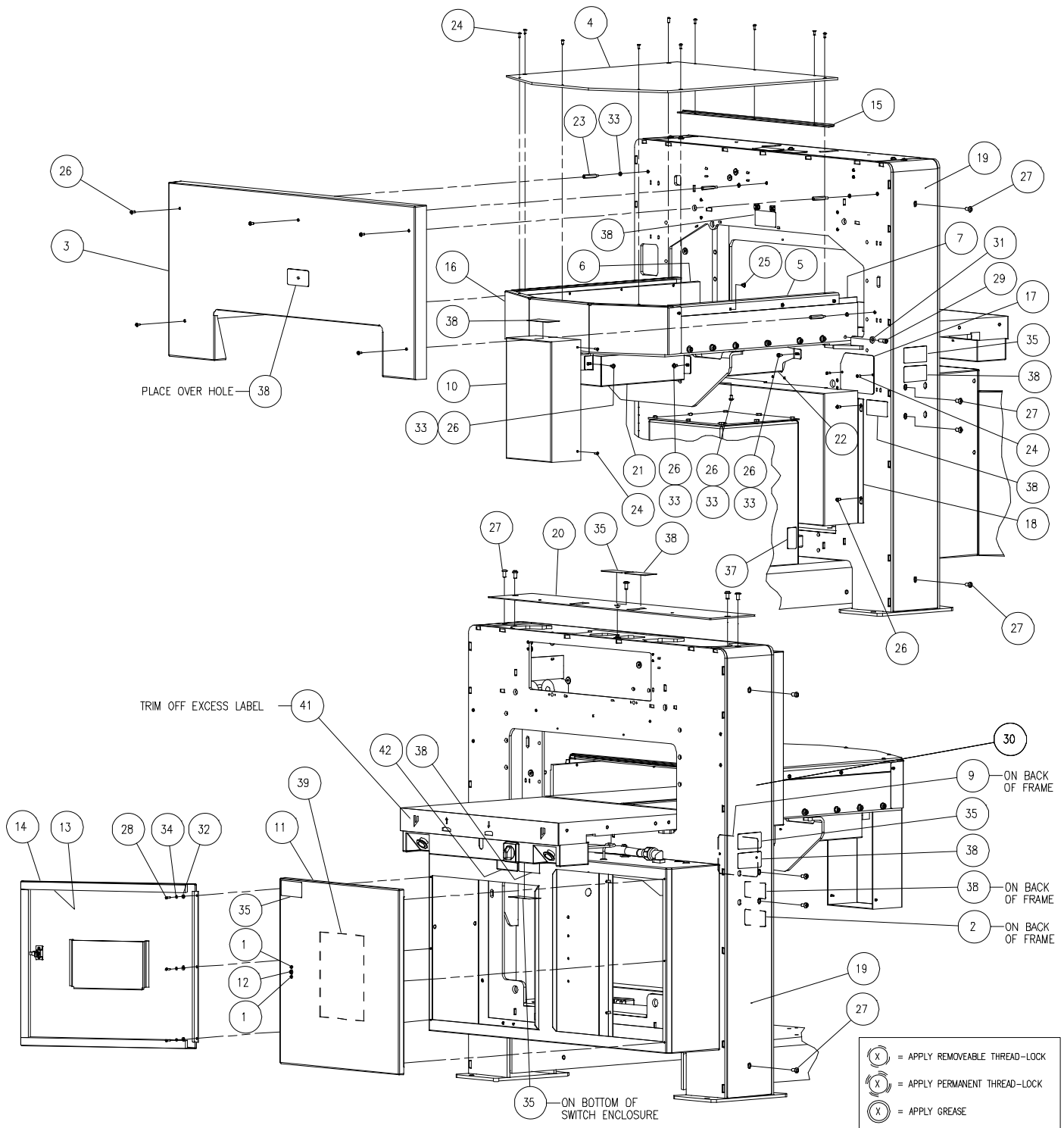


47900 Sheet 11 – Parts List

NO.	PART NO.	DESCRIPTION	QTY
1	4449	KNIFE ADJUSTING SCREW	2
2	4501-2	KNIFE BAR	1
3	4503-3	LINK ASM - KNIFE BAR	2
4	4505	KNIFE BAR GIB	2
5	4507-2	PIN - KNIFE BAR LINK	2
6	4518	PIN - KNIFE LINK	2
7	8815	WASHER - 3/8 HEAVY	6
8	8835-2	PIN KEEPER - UPPER	2
9	47504	BRACKET - KNIFE BAR KEEPER	1
10	47508	KNIFE - 305, HSS	1
11	H-6910-404	SCREW - 1/4-20 X 1/2 BUTTON HEAD CAP	2
12	H-6918-404	SCREW - 1/4-20 X 1/2 SOCKET HEAD CAP	2
13	H-6918-405	SCREW - 1/4-20 X 5/8 SOCKET HEAD CAP	2
14	H-6918-408	SCREW - 1/4-20 X 1 SOCKET HEAD CAP	2
15	H-6918-608	SCREW - 3/8-16 X 1 SOCKET HEAD CAP	6
16	H-6953-856	SCREW - 1/2-13 X 3-1/2 OVAL SOC SET	6
17	H-7002-8	NUT - HEAVY HEX, BLACK	6
18	H-7321-4	WASHER - 1/4 SAE PLAIN	4
19	H-7327-8	WASHER - 1/4 MEDIUM LOCK	4
20	H-21S-375-1000	ROLL PIN - 3/8 X 1	1
21	S-1087-1	PIN - STRAIGHT ROD END	1
22	S-1193-75	E-RING - 3/4"	2

15.11 Main Assembly – Covers and Labels

47900 Sheet 12

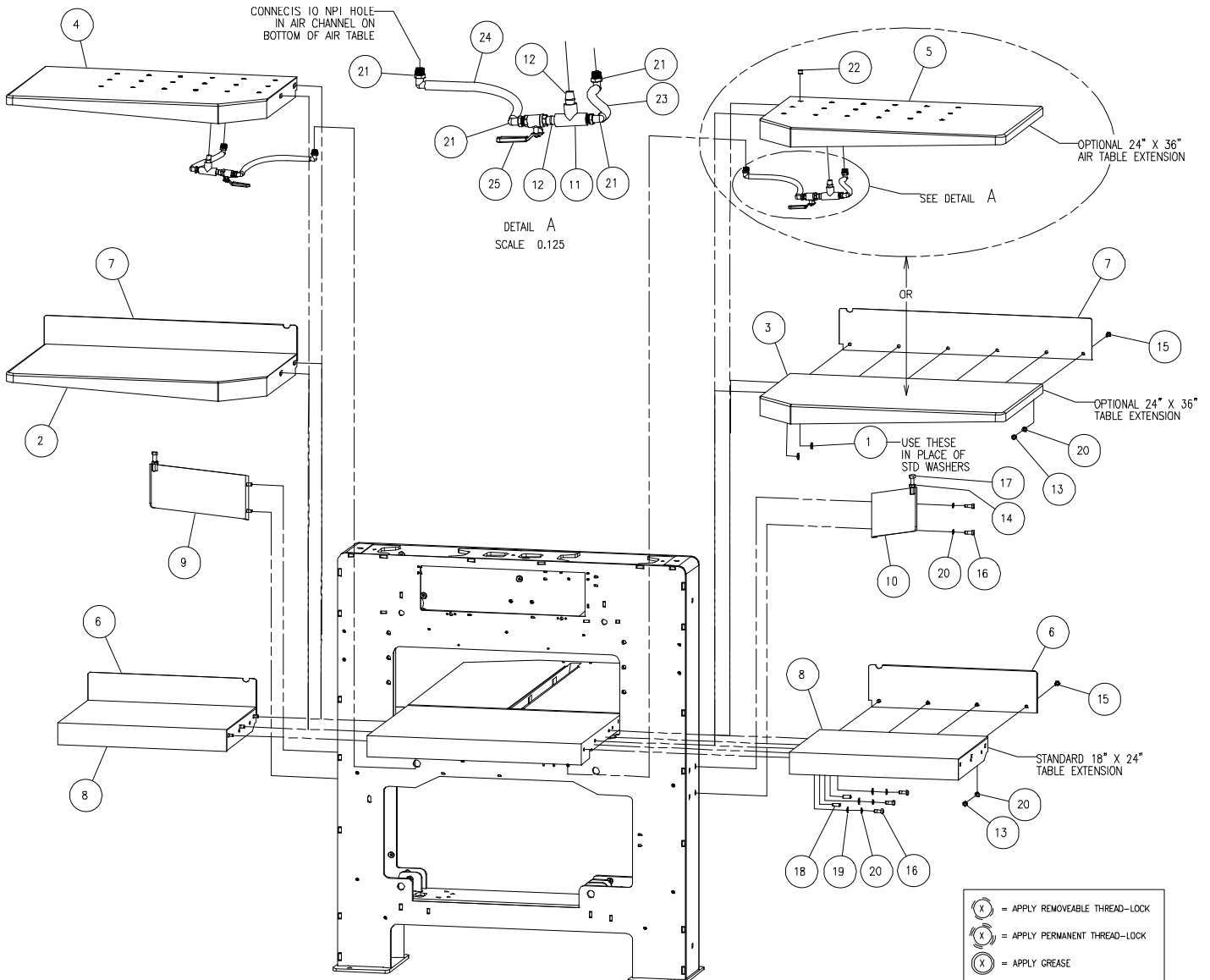


47900 Sheet 12 – Parts List

NO.	PART NO.	DESCRIPTION	QTY
1	11145-1	RIVET - 3/16	4
2	41130	PLATE - SERIAL NUMBER	1
3	47001	COVER - REAR ARCH	1
4	47002-1	SHIELD - BACKGAUGE	1
5	47003	BRACKET - BACKGAUGE SHIELD	2
6	47019-1	GUIDE - RH REAR	1
7	47020-1	GUIDE - LH REAR	1
8	47033-3	FRONT ENCLOSURE	1
9	47050	COVER - R.H. REAR BASE	1
10	47055	COVER - BACKGAUGE DRIVE	1
11	47097	DOOR ASSEMBLY- R.H. FRONT	1
12	47101	DOOR LATCH	2
13	47163	FOAM GASKET - 21-3/4" LONG	6
14	47173-1	DOOR ASM.- L.H. FRONT	1
15	47180	SUPPORT - BACKGAUGE SHIELD	1
16	47265-1	GUARD - BACKGAUGE, REAR	1
17	47552	COVER - L.H. REAR BASE	1
18	47570-1	WELDMENT - LOWER REAR COVER	1
19	47950	SIDE COVER	2
20	47951	TOP COVER	1
21	47955	LEADSCREW COVER - REARWARD	1
22	47956	LEADSCREW COVER - FOREWARD	1
23	E-1152-36	STANDOFF	5
24	H-6910-102404	SCREW - #10-24 X 1/2 BUTTON HEAD CAP	18
25	H-6910-403	SCREW - 1/4-20 X 3/8 BUTTON HEAD CAP	8
26	H-6910-404	SCREW - 1/4-20 X 1/2 BUTTON HEAD CAP	17
27	H-6910-606	SCREW - 3/8-16 X 3/4 BUTTON HEAD CAP	13
28	H-6918-102404	SCREW - #10-24 X 1/2 SOCKET HEAD CAP	6
29	H-6918-608	SCREW - 3/8-16 X 1 SOCKET HEAD CAP	14
30	H-7321-4	WASHER - 1/4 SAE PLAIN	1
31	H-7321-6	WASHER - 3/8 SAE PLAIN	14
32	H-7321-#10	WASHER - #10 SAE PLAIN	6
33	H-7327-8	WASHER - 1/4 MEDIUM LOCK	12
34	H-7327-#10	WASHER - #10 MEDIUM LOCK	6
35	S-1781-11	LABEL- SHOCK HAZARD	5
36	S-1781-116	LABEL - WARNING	1
37	S-1781-12	LABEL - SHOCK HAZARD	1
38	S-1781-16	LABEL- CRUSH HAZARD	9
39	S-1781-161	LABEL - POWER CONN., FUSES	1
39	S-1781-231	LABEL – POWER CONN., CIRCUIT BREAKERS	1
41	S-1781-216	LABEL- FRONT OF TABLE	1
42	S-1781-25	LABEL- INSTRUCTION	1

15.12 Main Assembly – Table Extensions

47900 Sheet 13

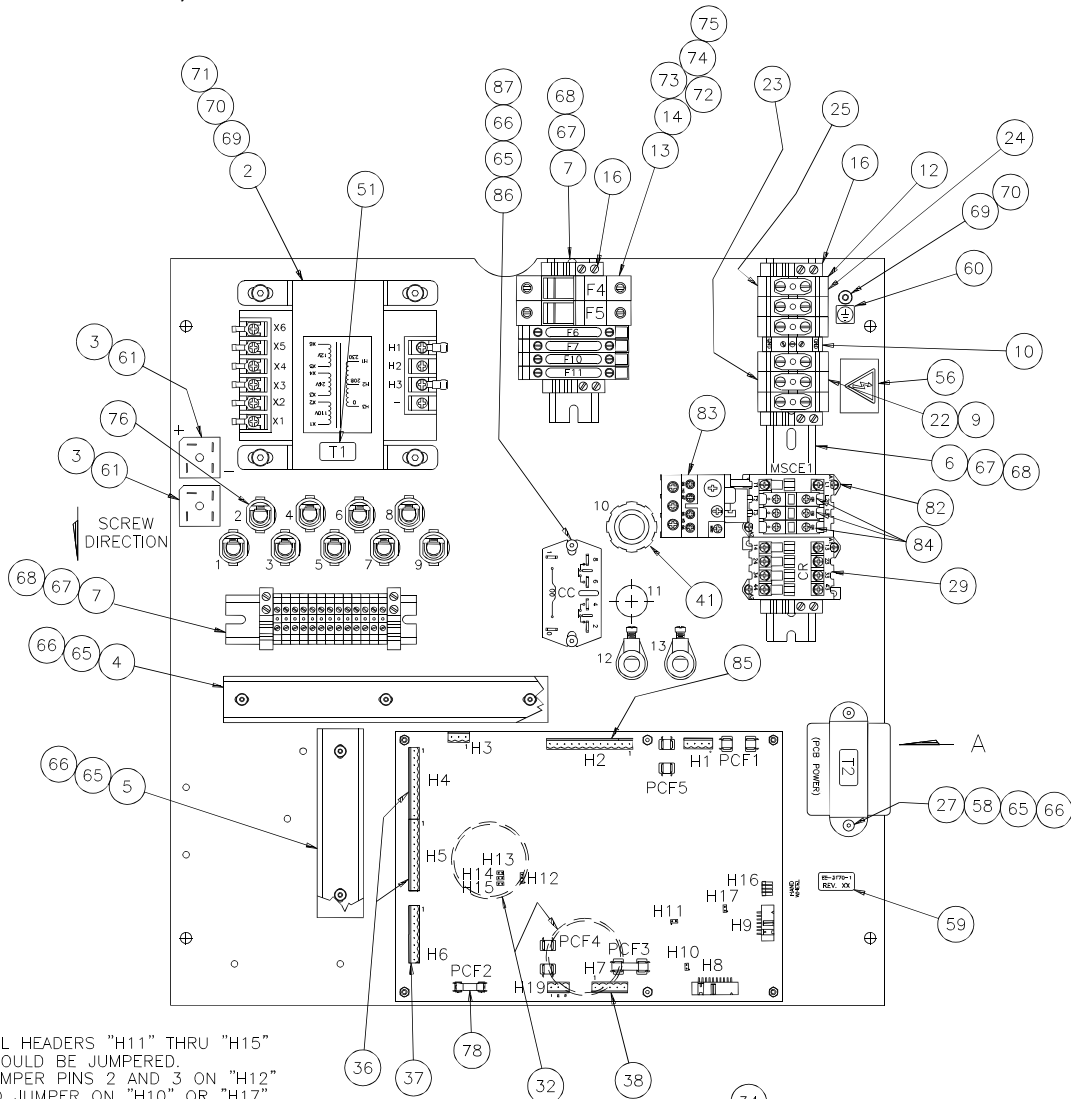


47900 Sheet 13 – Parts List

NO.	PART NO.	DESCRIPTION	QTY
1	8815	WASHER - 3/8 HEAVY	4
2	16026	LH TABLE EXTENSION - 24X36	1
3	16027	RH TABLE EXTENSION - 24X36	1
4	16028	LH TABLE EXTENSION - 24X36, AIR	1
5	16029	RH TABLE EXTENSION - 24X36, AIR	1
6	47164-1	PLATE- EXTENSION TABLE	2
7	47164-2	BACK PLATE - LARGE EXT. TABLE	2
8	47166	TABLE EXTENSION - 18 X 24	2
9	A-8495	LH SUPPORT - WELDMENT	1
10	A-8496	RH SUPPORT - WELDMENT	1
11	H-277-1	TEE - 3/8 NPT INTERNAL	2
12	H-6405-1-608	NIPPLE - 3/8" CLOSE	4
13	H-6424-6	NUT - 3/8-16 HEX JAM	12
14	H-6424-8	NUT - 1/2-13 HEX JAM	2
15	H-6913-606	SCREW - 3/8-16 X 3/4 HEX HEAD CAP	12
16	H-6913-608	SCREW - 3/8-16 X 1 HEX HEAD CAP	10
17	H-6913-818	SCREW - 1/2-13 X 2-1/4 HEX HEAD CAP	2
18	H-6939-616	SCREW - 3/8-24 X 1 CUP SOC SET	4
19	H-7321-6	WASHER - 3/8 SAE PLAIN	6
20	H-7327-12	WASHER - 3/8 MEDIUM LOCK	22
21	P-205	90° NYLON ELBOW - 3/8 NPT X 1/2 TUBE	8
22	P-207-1	AIR JET WITH FLANGE	36
23	P-240-3_X_12INCHES	VINYL TUBING - 1/2 ID	2
24	P-240-3_X_22INCHES	VINYL TUBING - 1/2 ID	2
25	S-1921	BALL VALVE - 3/8NPT	2

15.13 Power Panel Assembly (w/ Fuses)

EE-3170-1 Sht. 1, Rev. D



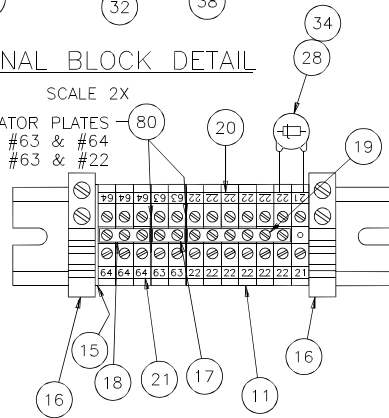
NOTE: ALL HEADERS "H11" THRU "H15" SHOULD BE JUMPERED.
 JUMPER PINS 2 AND 3 ON "H12"
 NO JUMPER ON "H10" OR "H17"

TRANSFORMER COLOR CODE	
T2	
WIRE COLOR	WIRE NO.
BLACK	22
BLACK/WHITE	21
BLACK/RED	-
BLACK/YELLOW	-
BLUE	6
BLUE/YELLOW	5
BLUE	4
RED	3
RED/YELLOW	2
RED	1

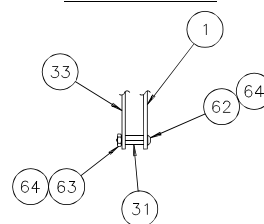
TERMINAL BLOCK DETAIL

SCALE 2X

INSERT SEPARATOR PLATES BETWEEN TERM. #63 & #64 BETWEEN TERM. #63 & #22



VIEW "A"



EE-3170-1 Sht. 1, Rev. D – Parts List

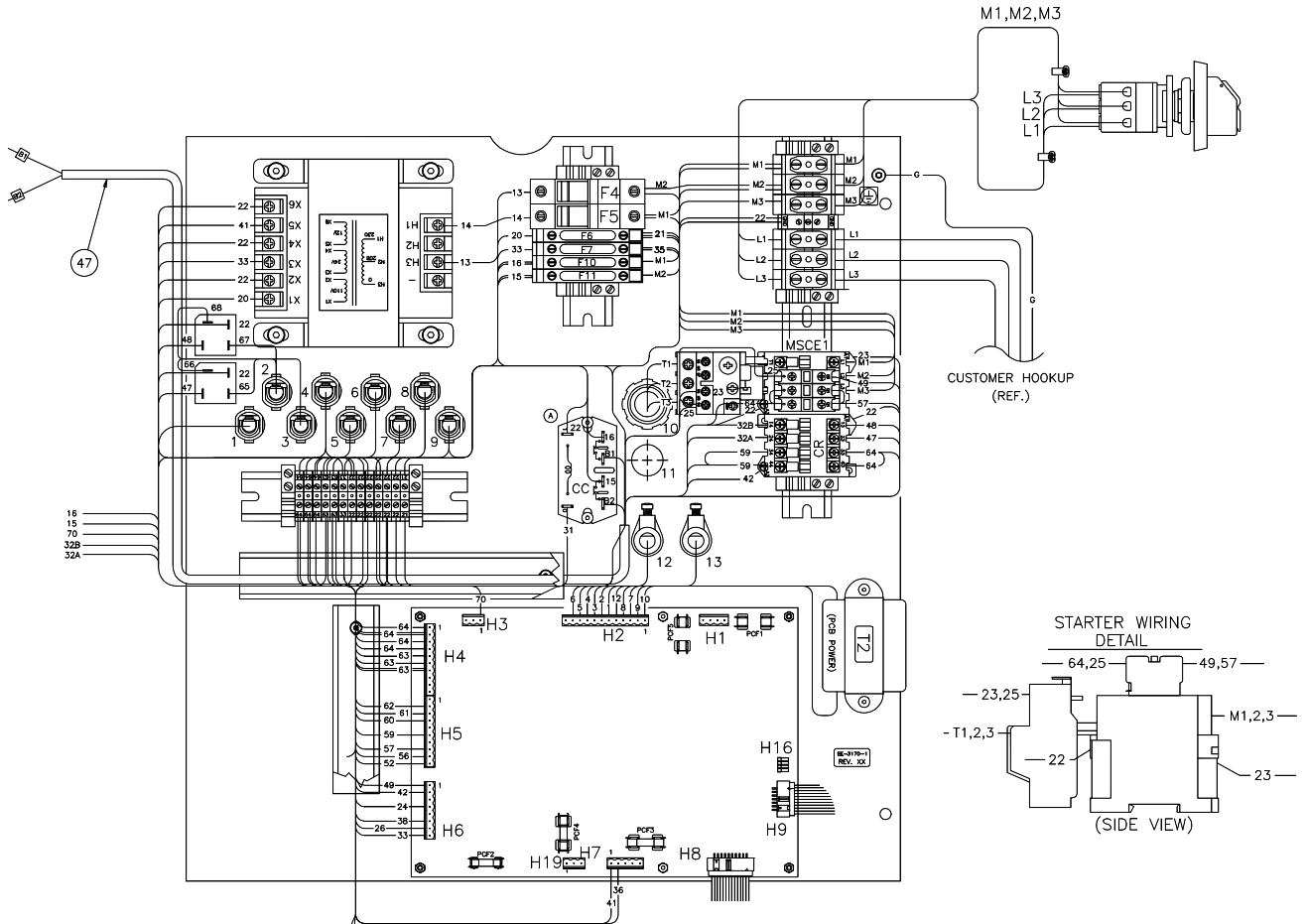
NO.	PART NO.	DESCRIPTION OF ACCESSORIES	QTY
1	47512	PANEL - POWER	1
2	E-1089-41	TRANSFORMER - 208-230V "T1"	1
3	E-1143	BRIDGE RECTIFIER - PANEL MOUNT	2
4	E-1429-17	WIRE DUCT & COVER - 9" LONG	1
5	E-1429-18	WIRE DUCT & COVER - 5-1/4" LONG	1
6	E-1977-21	RAIL - TERMINAL - 10" LONG	1
7	E-1977-13	RAIL - TERMINAL - 6" LONG	2
8	EE-3080	WIRES - CUT LIST	1
9	E-2752-2	COVER - TERMINAL BLOCK	3
10	E-2068-3	TERMINAL BLOCK - GROUNDING	1
11	E-2068-8	TERMINAL BLOCK - #10 AWG.	12
12	E-2068-7	TERMINAL BLOCK - 3 AWG.	6
13	E-1974-10	TERMINAL BLOCK - FUSEHOLDER, MIDGET	2
14	E-1974-9	TERMINAL BLOCK - FUSEHOLDER, GLASS	4
15	E-2069-3	END PLATE	1
16	E-2070-1	END BRACKET	7
17	E-2507-2	FIXED BRIDGE - 2 POLE	1
18	E-2507-3	FIXED BRIDGE - 3 POLE	1
19	E-2507-6	FIXED BRIDGE - 6 POLE	1
20	E-1356-147	MARKING STRIP - TERMINAL BLOCK	1
21	E-1356-148	MARKING STRIP - TERMINAL BLOCK	1
22	E-1356-71	MARKING STRIP - TERMINAL BLOCK	1
23	E-1356-122	MARKING STRIP - TERMINAL BLOCK	1
24	E-1356-118	MARKING STRIP - TERMINAL BLOCK	1
25	E-1356-119	MARKING STRIP - TERMINAL BLOCK	1
26	E-1453-6	TUBING - SHRINK, 1/8" DIA. 1" LONG	1
27	E-2742-5	TRANSFORMER - 120/230V , 16/24V SC. "T2"	1
28	E-1377	VARISTOR - SUPRESSOR, MOV	1
29	E-2403-2	CONTACTOR - RELAY (CR)	1
30	E-1736-4	QUENCHARC - SNAP-IN MOUNT	1
31	E-1152-56	STAND-OFF - 1/2" LONG	6
32	E-2196-21	HOLE PLUG - 2" DIA	2
33	EE-2807-2	P.C.B. ASM. - MOTOR CONTROLLER	1
34	E-1453-3	SHRINK TUBING - 1" LONG	2
35			
36	E-2066-10	PLUG CONNECTOR - P.C.B. 10 PIN (H4 & 5)	2
37	E-2066-8	PLUG CONNECTOR - P.C.B. 8 PIN (H6)	1
38	E-2066-5	PLUG CONNECTOR - P.C.B. 5 PIN (H7)	1
39	EE-2825-1	CABLE ASSEMBLY - HYD. FAN	1
40	EE-2843-1	CABLE ASSEMBLY - KNIFE LATCH	1
41	EE-2834-1	CABLE ASM. - JUNCTION BOX	1
42	EE-2836-1	CONDUIT ASM. - HYDRAULIC MOTOR, 3 PHASE	1
43	EE-2820	PROX. ASSEMBLY - HYDRAULIC UP "H"	1
44	EE-2820-4	PROX. ASSEMBLY - CLAMP UP "C"	1

15.0 Schematics & Parts Lists

EE-3170-1 Sht. 1, Rev. D – Parts List, Continued

NO.	PART NO.	DESCRIPTION OF ACCESSORIES	QTY
45	EE-2820-2	PROX. ASSEMBLY - KNIFE DOWN "K"	1
46	EE-2820-5	PROX. ASSEMBLY - KNIFE UP "U"	1
47	EE-3210	CABLE ASM. - CLAMP COMPRESSOR JUMPER	REF
48	EE-2821-8	CABLE ASM. - CUT SOLENOID"A" (MSCE1)	1
49	EE-2842-1	PROX. ASSEMBLY - KNIFE LATCH	1
50			
51	EE-2821-6	CABLE ASM. - UNLOAD VALVE SOLENOID "U"	1
52	EE-2821-9	CABLE ASM. - CUT SOLENOID "B" (MSCE2)	1
53	49039	CONDUIT ASSEMBLY - BLOWER/AIR SOL.	REF
54	EE-2838-3	CABLE ASSEMBLY - ENCODER	1
55	EE-2817-1	CABLE ASSEMBLY - PRESETTER	REF.
56	S-1781-50	LABEL - EURO ELECT. SHOCK	1
57	E-1584-51	LABEL - TRANSFORMER, "T1"	1
58	E-1584-52	LABEL - TRANSFORMER, "T2"	1
59	E-1584-()	LABEL - ASM. NO./REV. LEVEL	1
60	S-1781-197	LABEL - GROUND SYMBOL, PRIMARY	1
61	H-6910-83204	SCREW, #8-32NC X 1/2" BUT HD CAP	2
62	H-6910-63203	SCREW, #6-32NC X 3/8" BUT HD CAP	6
63	H-6423-#6	NUT, #6-32NC HEX	6
64	H-7324-#6	WASHER, #6 INT. TOOTH	14
65	H-6910-83203	SCREW, #8-32NC X 3/8" BUT HD CAP	7
66	H-7324-#8	WASHER, #8 INT. TOOTH	7
67	H-6910-102403	SCREW, #10-24NC X 3/8" BUT HD CAP	8
68	H-7324-#10	WASHER, #10 INT. TOOTH	8
69	H-6910-403	SCREW, 1/4-20NC X 3/8" BUT HD CAP	5
70	H-7324-8	WASHER, 1/4 INT. TOOTH	5
71	H-7319-4	WASHER, 1/4 USS FLAT	4
72	E-2308	FUSE - 3.2A SB MIDGET, "F4","F5"	2
73	E-889-35	FUSE - 1AMP SLO-BLO GLASS, "F6"	1
74	E-889-9	FUSE - 8AMP SLO-BLO GLASS, "F7"	1
75	E-889-5	FUSE - 4AMP SB GLASS, "10","11"	2
76	S-1350-16	STRAIN RELIEF - CABLE	11
77	S-1694	TY-WRAP - CABLE (NOT SHOWN)	10
78	E-2330-7	FUSE - 5A SB, GLASS METRIC (PCF2)	1
79	E-2330-8	FUSE - 6.3A SLO-BLO, GLASS METRIC (PCF3)	1
80	E-2864	SEPARATOR PLATE - TERMINAL BLOCK	2
81	E-1599-11	IC CHIP - 32 PIN PACKAGE (BLANK)	1
82	E-2805	STARTER - 3 PHASE	1
83	E-2441-11	RELAY - OVERLOAD, 3 PHASE	1
84	E-2376-2	AUXILIARY CONTACT - N.O.	3
85	E-2066-12	PLUG CONNECTOR - P.C.B. 12 PIN (H2)	1
86	E-2232-2	RELAY - CLAMP COMPRESSOR (CC)	1
87	H-7321-#8	WASHER -#8 FLAT	2

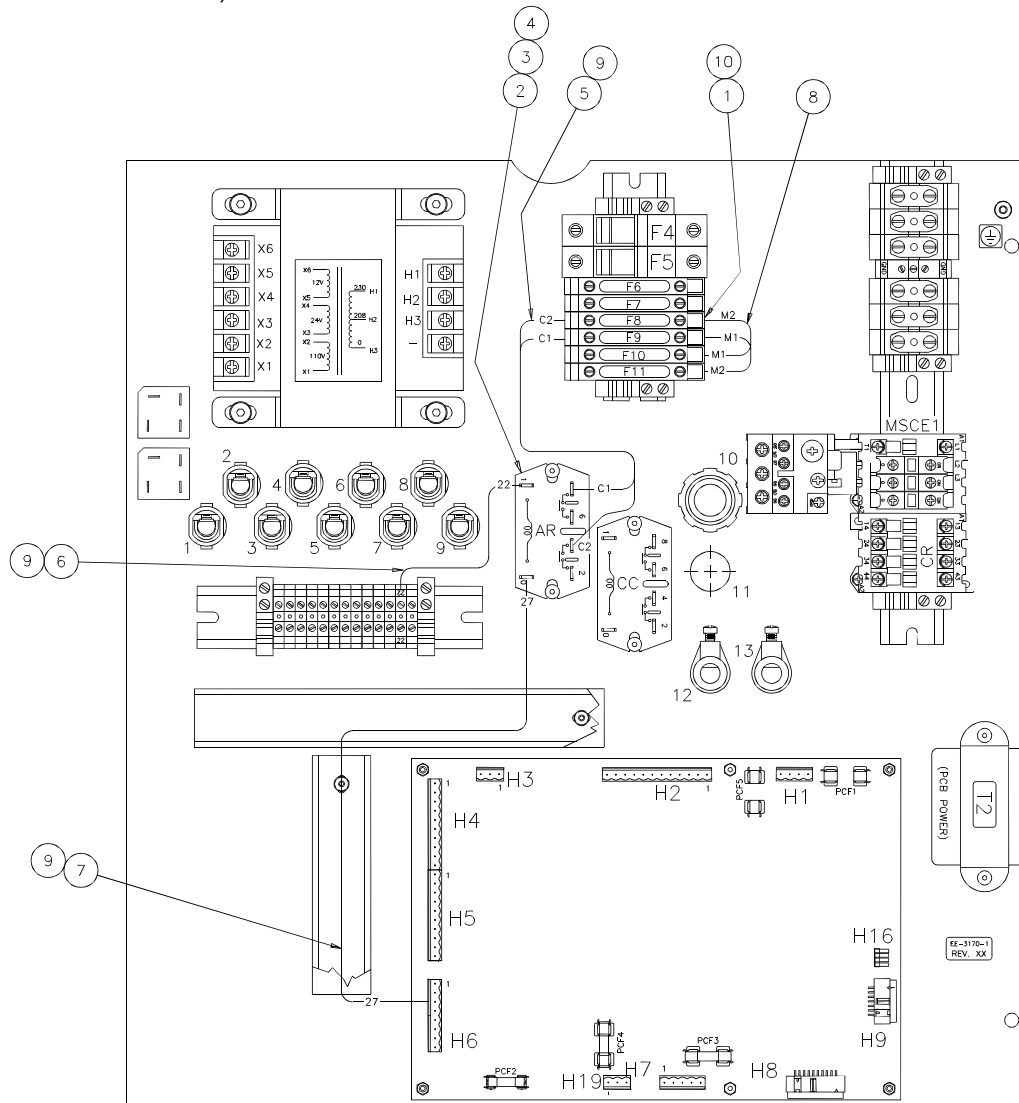
EE-3170-1 Sht. 2, Rev. A (w/Fuses)



EXTERNAL CABLE DESCRIPTION			
LOCATION	ITEM #	DESCRIPTION	WIRE NUMBERS
1	62	HYD. FAN	21 & 22
2	48	CUT SOLENOID (MPCE1)	65 & 66
3	52	CUT SOLENOID (MPCE2)	67 & 68
4	51	UNLOAD VALVE	22 & 38
5	44	CLAMP UP PROX. "C"	62, 63 & 64
6	43	HYDRAULIC UP PROX. "H"	61, 63 & 64
7	49	KNIFE LATCH PROX. "L"	22 & 26
	85	KNIFE UP PROX. "U"	60, 63 & 64
8	45	KNIFE DOWN PROX. "K"	56, 63 & 64
	41	JUNCTION BOX POWER	21, 22, 35 & 36
9	96	HYDRAULIC MOTOR	T1, T2, T3 & G
10	53	BLOWER MOTOR	A1, A2 & G
	REF	AIR SOLENOID	22 & 24
11	REF	PRESET	7, 8 & 12
12	REF	ENCODER	7, 8, 9 & 10
13	54	ENCODER	7, 8, 9 & 10

Power Panel Asm. – Blower Opt. Wiring (w/Fuses)

EE-3170-1 Sht. 3, Rev. A

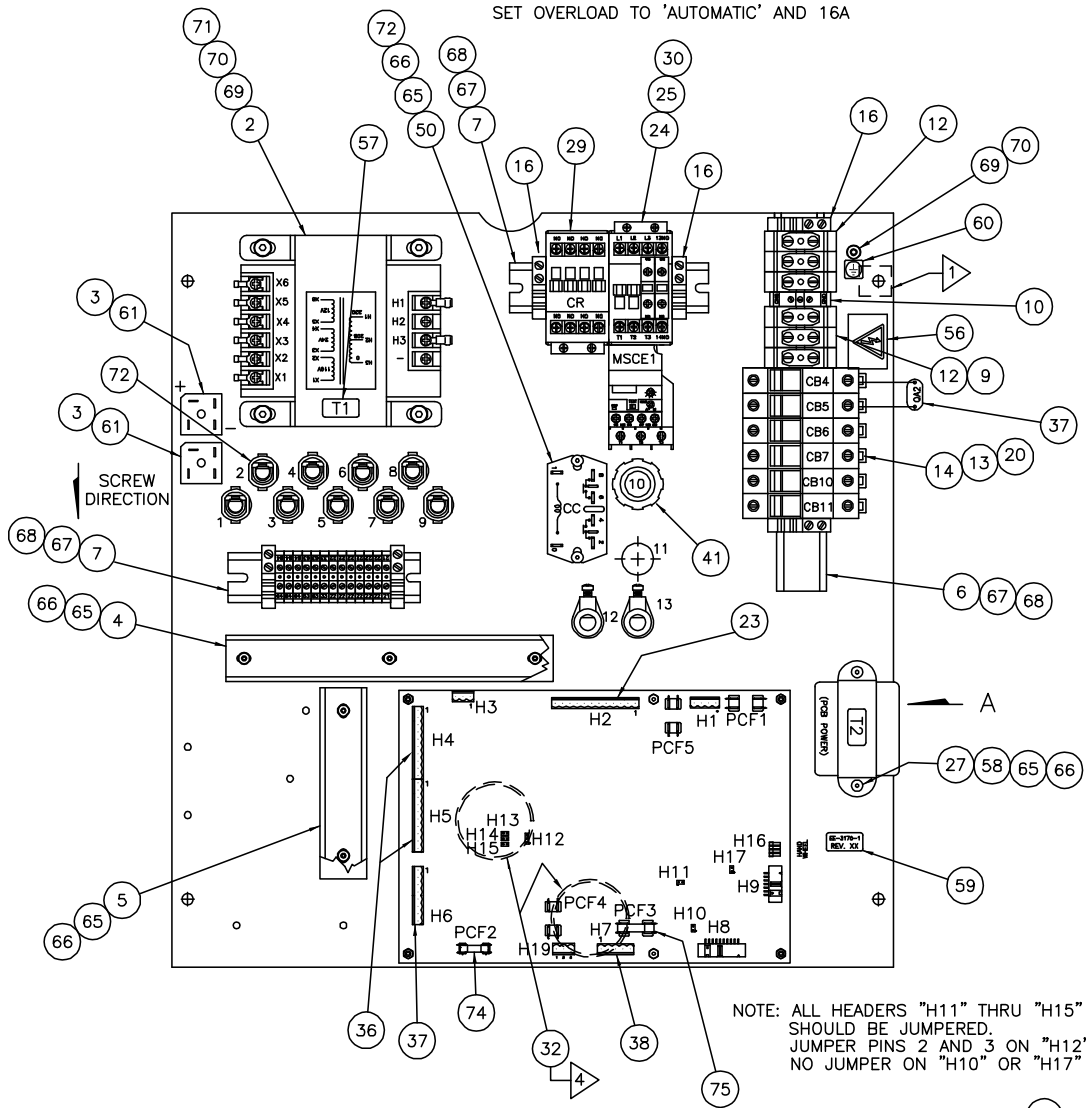


EXTERNAL CABLE DESCRIPTION			
LOCATION	ITEM #	DESCRIPTION	WIRE NUMBERS
1	62	HYD. FAN	21 & 22
2	48	CUT SOLENOID (MPCE1)	65 & 66
3	52	CUT SOLENOID (MPCE2)	67 & 68
4	51	UNLOAD VALVE	22 & 38
5	44	CLAMP UP PROX. "C"	62, 63 & 64
6	43	HYDRAULIC UP PROX. "H"	61, 63 & 64
7	49	KNIFE LATCH PROX. "K"	52, 63 & 64
	85	KNIFE LATCH "L"	22 & 26
8	46	KNIFE UP PROX. "U"	60, 63 & 64
	45	KNIFE DOWN PROX. "K"	56, 63 & 64
9	41	JUNCTION BOX POWER	21,22,35 & 36
10	96	HYDRAULIC MOTOR	T1, T2, T3 & G
11	53	BLOWER MOTOR	A1, A2 & G
	REF	AIR SOLENOID	22 & 24
12	REF	PRESET	7, 8 & 12
13	54	ENCODER	7, 8, 9 & 10

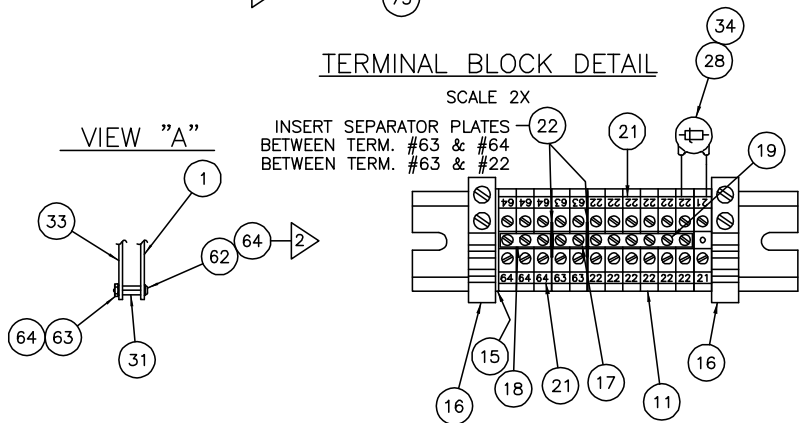
NO.	PART NO.	DESCRIPTION OF ACCESSORIES	QTY
1	E-1974-9	TERMINAL BLOCK – FUSEHOLDER, GLASS	2
2	E-2232-2	RELAY – AIR BLOWER (AR)	1
3	H-6910-83203	SCREW, #8-32NC X 3/8" BUT HD CAP	2
4	H-7324-#8	WASHER, #8 INT. TOOTH	2
5	E-849-R	WIRE – #16 GA. RED 8" LONG (WIRE #C1, C2)	2
6	E-709-R	WIRE – #18 GA. RED 7" LONG (WIRE #22)	1
7	E-709-R	WIRE – #18 GA. RED 20" LONG (WIRE #27)	1
8	E-1213-B	WIRE – #10 GA. BLACK 3" LONG (WIRE #M1,M2)	2
9	E-1214-49	CONNECTOR – 1/4" INS. QUICK DISC.	4
10	E-889-5	FUSE – 4AMP CLO-BLO GLASS (F8 & F9)	2

15.14 Power Panel Assembly (w/Circuit Breakers)

EE-3170-2 rev. "A"



TRANSFORMER COLOR CODE	
T2	
WIRE COLOR	WIRE NO.
BLACK	22
BLACK/WHITE	21
BLACK/RED	-
BLACK/YELLOW	-
BLUE	6
BLUE/YELLOW	5
BLUE	4
RED	3
RED/YELLOW	2
RED	1



EE-3170-2 Sht. 1, Rev. A – Parts List,

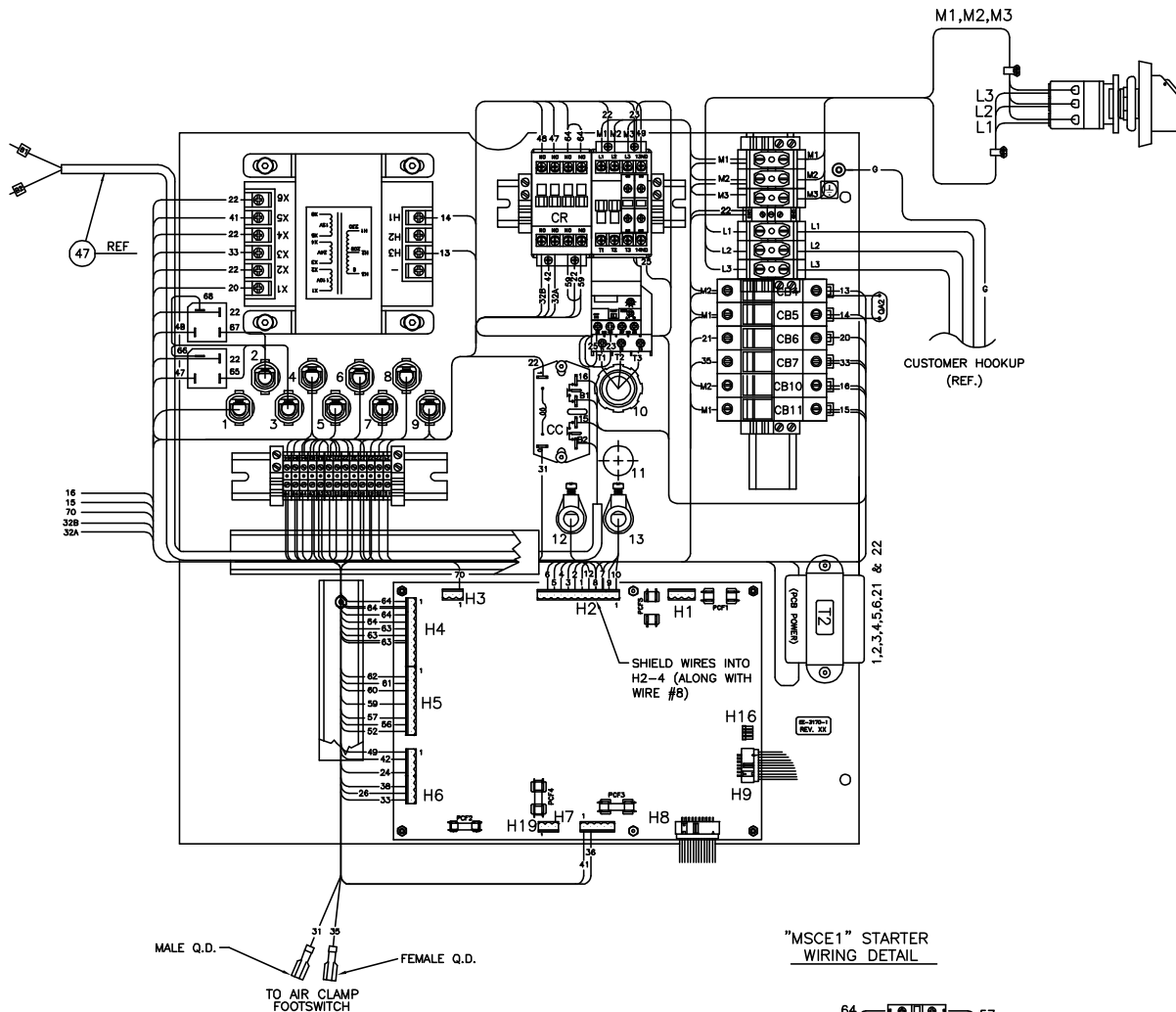
NO.	PART NO.	DESCRIPTION OF ACCESSORIES	QTY
1	47512	PANEL - POWER	1
2	E-1089-41	TRANSFORMER - 208-230V "T1"	1
3	E-1143	BRIDGE RECTIFIER - PANEL MOUNT	2
4	E-1429-17	WIRE DUCT & COVER - 9" LONG	1
5	E-1429-18	WIRE DUCT & COVER - 5-1/4" LONG	1
6	E-1977-16	RAIL - TERMINAL - 10-5/8" LONG	1
7	E-1977-13	RAIL - TERMINAL - 6" LONG	2
8	EE-3080	WIRES - CUT LIST	1
9	E-2752-2	COVER - TERMINAL BLOCK	3
10	E-2068-3	TERMINAL BLOCK - GROUNDING	1
11	E-2068-8	TERMINAL BLOCK - #10 AWG.	12
12	E-2068-7	TERMINAL BLOCK - 3 AWG.	6
13	E-3264-1	CIRCUIT BREAKER - 1A (CB6)	1
14	E-3264-5	CIRCUIT BREAKER - 4A (CB4,5,10 & 11)	4
15	E-2069-3	END PLATE	1
16	E-2070-1	END BRACKET	6
17	E-2507-2	FIXED BRIDGE - 2 POLE	1
18	E-2507-3	FIXED BRIDGE - 3 POLE	1
19	E-2507-6	FIXED BRIDGE - 6 POLE	1
20	E-3264-9	CIRCUIT BREAKER - 8A (CB7)	1
21	E-1356-()	MARKING STRIP - TERMINAL BLOCK	2
22	E-2864	SEPARATOR PLATE - TERMINAL BLOCK	2 1
23	E-2066-12	PLUG CONNECTOR - P.C.B. 12 PIN (H2)	1 1
24	E-2376-6	AUXILIARY CONTACT - N.O.	2
25	E-2441-18	RELAY - OVERLOAD, 3 PHASE	1 1
26	E-1453-6	TUBING - SHRINK, 1/8" DIA. 1" LONG	1
27	E-2742-5	TRANSFORMER - 120/230V , 16/24V SC. "T2"	1
28	E-1377	VARISTOR - SUPPRESSOR, MOV	1
29	E-2403-10	CONTACTOR - RELAY (CR)	1
30	E-2805-6	STARTER - 3 PHASE	1
31	E-1152-56	STAND-OFF - 1/2" LONG	6
32	E-2196-21	HOLE PLUG - 2" DIA	2
33	EE-2807-2	P.C.B. ASM. - MOTOR CONTROLLER	1
34	E-1453-3	SHRINK TUBING - 1" LONG	2
35	E-1599-11	IC CHIP - 32 PIN PACKAGE (BLANK)	1
36	E-2066-10	PLUG CONNECTOR - P.C.B. 10 PIN (H4 & 5)	2
37	E-2066-8	PLUG CONNECTOR - P.C.B. 8 PIN (H6)	1
38	E-2066-5	PLUG CONNECTOR - P.C.B. 5 PIN (H7)	1
39	EE-2825-1	CABLE ASSEMBLY - HYD. FAN	1

EE-3170-2 Sht. 1, Rev. A – Parts List, continued

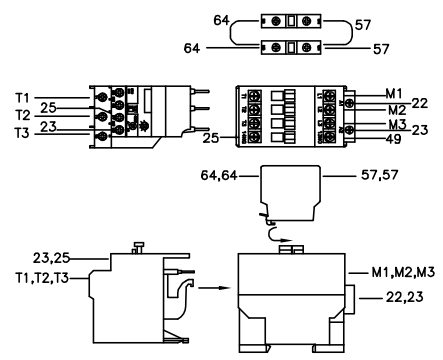
NO.	PART NO.	DESCRIPTION OF ACCESSORIES	QTY
40	EE-2843-1	CABLE ASSEMBLY - KNIFE LATCH	1
41	EE-2834-2	CABLE ASM. - JUNCTION BOX	1
42	EE-2836-1	CONDUIT ASM. - HYDRAULIC MOTOR, 3 PHASE	1
43	EE-2820	PROX. ASSEMBLY - HYDRAULIC UP "H"	1
44	EE-2820-4	PROX. ASSEMBLY - CLAMP UP "C"	1
45	EE-2820-2	PROX. ASSEMBLY - KNIFE DOWN "K"	1
46	EE-2820-5	PROX. ASSEMBLY - KNIFE UP "U"	1
47	EE-3210	CABLE ASM. - CLAMP COMPRESSOR JUMPER	REF
48	EE-2821-8	CABLE ASM. - CUT SOLENOID "A" (MSCE1)	1
49	EE-2842-1	PROX. ASSEMBLY - KNIFE LATCH	1
50	E-2232-2	RELAY - CLAMP COMPRESSOR (CC)	1
51	EE-2821-6	CABLE ASM. - UNLOAD VALVE SOLENOID "U"	1
52	EE-2821-9	CABLE ASM. - CUT SOLENOID "B" (MSCE2)	1
53	49039	CONDUIT ASSEMBLY - BLOWER/AIR SOL.	REF
54	EE-2838-3	CABLE ASSEMBLY - ENCODER	1
55	EE-2817-1	CABLE ASSEMBLY - PRESETTER	REF.
56	S-1781-50	LABEL - EURO ELECT. SHOCK	1
57	E-1584-51	LABEL - TRANSFORMER, "T1"	1
58	E-1584-52	LABEL - TRANSFORMER, "T2"	1
59	E-1584-()	LABEL - ASM. NO./REV. LEVEL	1
60	S-1781-197	LABEL - GROUND SYMBOL, PRIMARY	1
61	H-6910-83204	SCREW, #8-32NC X 1/2" BUT HD CAP	2
62	H-6910-63203	SCREW, #6-32NC X 3/8" BUT HD CAP	6
63	H-6423-#6	NUT, #6-32NC HEX	6
64	H-7324-#6	WASHER, #6 INT. TOOTH	14
65	H-6910-83203	SCREW, #8-32NC X 3/8" BUT HD CAP	9
66	H-7324-#8	WASHER, #8 INT. TOOTH	9
67	H-6910-102403	SCREW, #10-24NC X 3/8" BUT HD CAP	8
68	H-7324-#10	WASHER, #10 INT. TOOTH	8
69	H-6910-403	SCREW, 1/4-20NC X 3/8" BUT HD CAP	5
70	H-7324-8	WASHER, 1/4 INT. TOOTH	5
71	H-7319-4	WASHER, 1/4 USS FLAT	4
72	S-1350-16	STRAIN RELIEF - CABLE	11
73	S-1694	TY-WRAP - CABLE (NOT SHOWN)	10
74	E-2330-7	FUSE - 5A SB, GLASS METRIC (PCF2)	1
75	E-2330-8	FUSE - 6.3A SLO-BLO, GLASS METRIC (PCF3)	1

15.0 Schematics & Parts Lists

EE-3170-2 sh't 2 rev. "A"



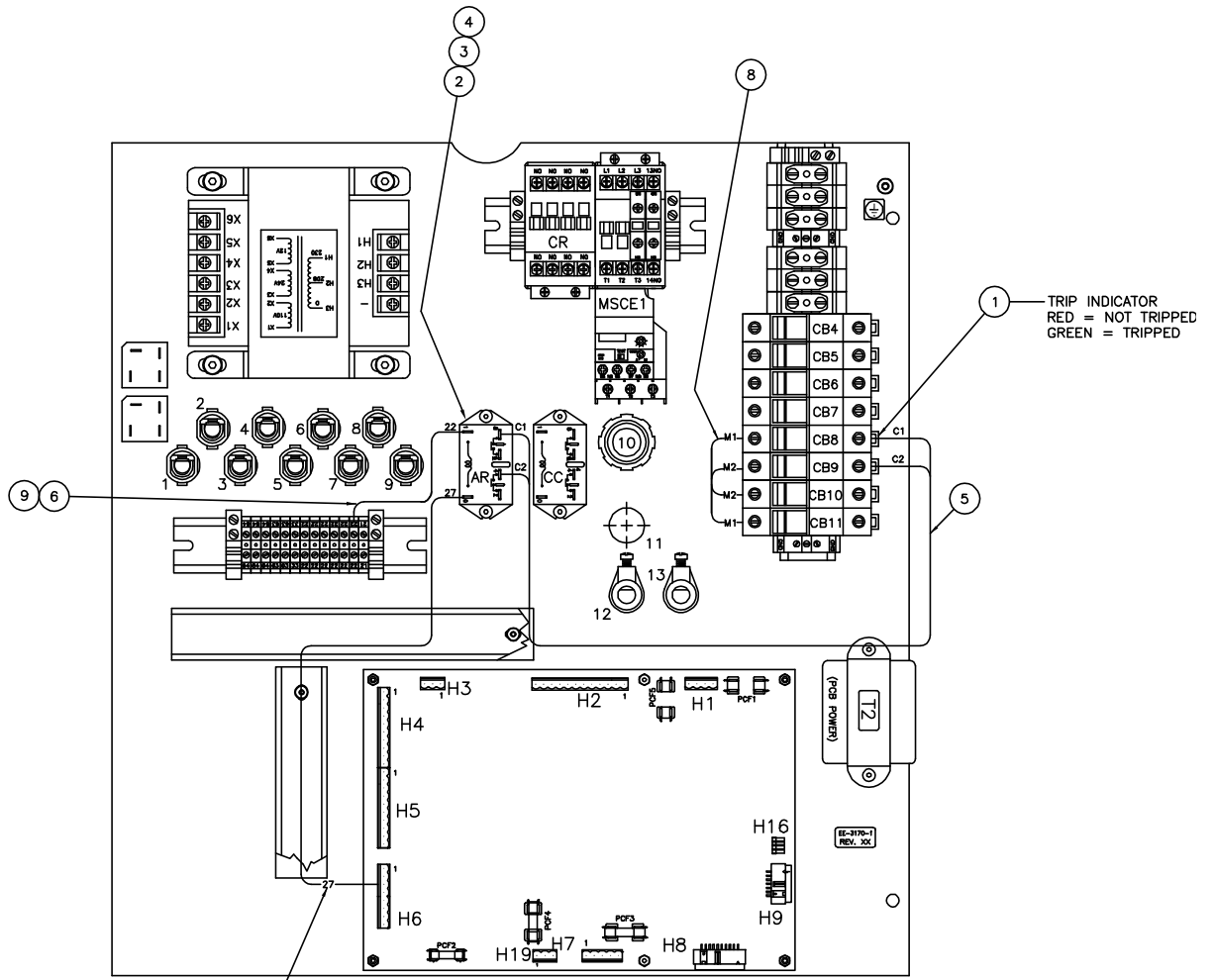
"MSCE1" STARTER WIRING DETAIL



EXTERNAL CABLE DESCRIPTION			
LOCATION	ITEM #	DESCRIPTION	WIRE NUMBERS
1	62	HYD. FAN	21 & 22
2	48	CUT SOLENOID (MPCE1)	65 & 66
3	52	CUT SOLENOID (MPCE2)	67 & 68
4	51	UNLOAD VALVE	22 & 38
5	44	CLAMP UP PROX. "C"	62, 63 & 64
6	43	HYDRAULIC UP PROX. "H"	61, 63 & 64
7	49	KNIFE LATCH PROX.	52, 63 & 64
	85	KNIFE LATCH "L"	22 & 26
8	46	KNIFE UP PROX. "U"	60, 63 & 64
	45	KNIFE DOWN PROX. "K"	56, 63 & 64
9	41	JUNCTION BOX POWER	21,22,23 & 36
10	96	HYDRAULIC MOTOR	T1, T2, T3 & G
11	53	BLOWER MOTOR	A1, A2 & G
	REF	AIR SOLENOID	22 & 24
12	REF	PRESET	7, 8 & 12
13	54	ENCODER	7, 8, 9 & 10

Power Panel Assembly – Blower Option Wiring (w/Circuit Breakers)

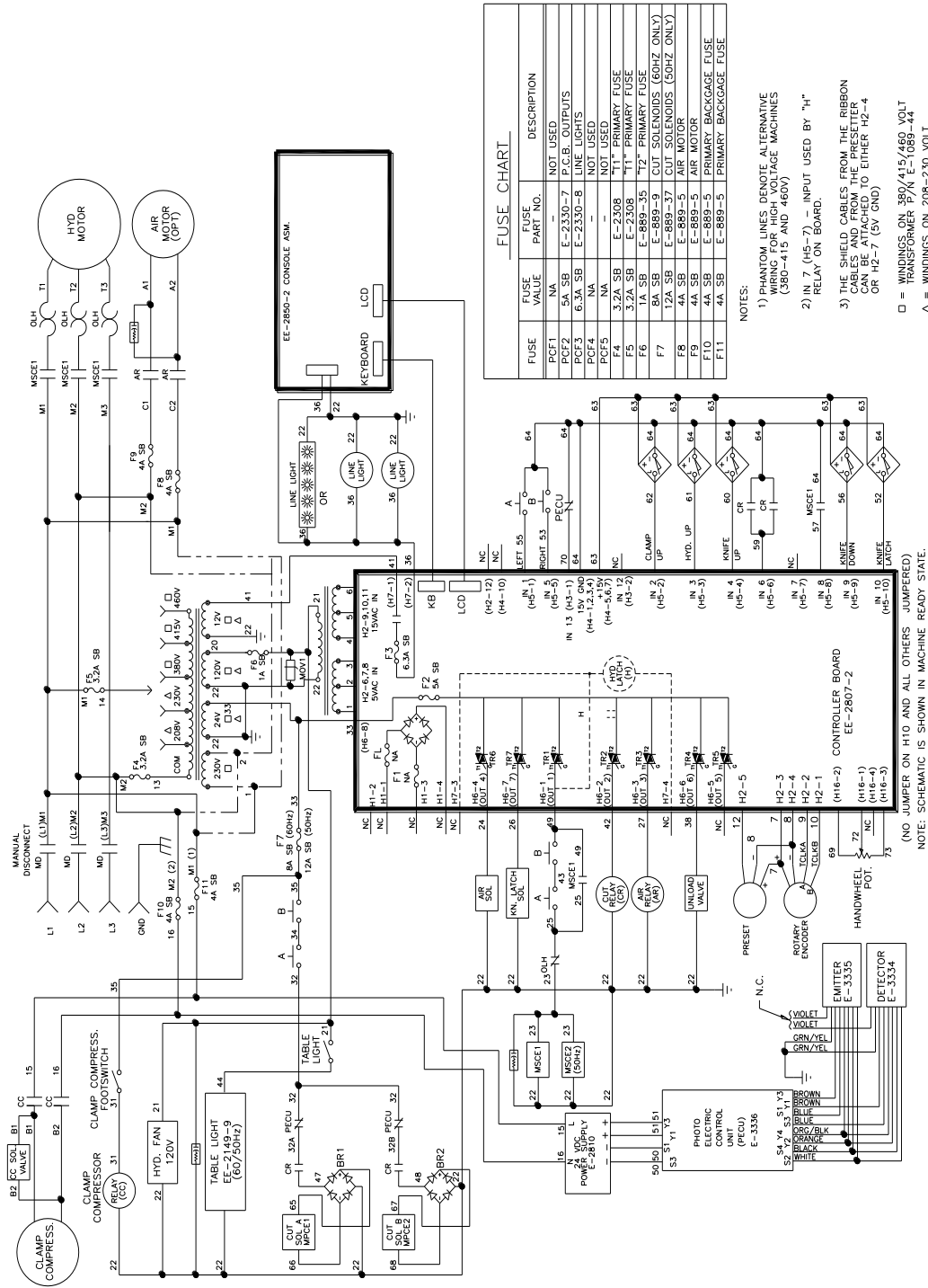
EE-3170-2 sh't 3 rev. "A"



NO.	PART NO.	DESCRIPTION OF ACCESSORIES	QTY
1	E-3264-5	CIRCUIT BREAKER - 4A (CBB & CB9)	2
2	E-2232-2	RELAY - AIR BLOWER (AR)	1
3	H-6910-83203	SCREW, #8-32NC X 3/8" BUT HD CAP	2
4	H-7324-#8	WASHER, #8 INT. TOOTH	2
5	E-849-R	WIRE - #16 GA. RED 24" LONG (WIRE #C1, C2)	2
6	E-709-R	WIRE - #18 GA. RED 7" LONG (WIRE #22)	1
7	E-709-R	WIRE - #18 GA. RED 20" LONG (WIRE #27)	1
8	E-1213-B	WIRE - #10 GA. BLACK 3" LONG (WIRE #M1,M2)	2
9	E-1214-49	CONNECTOR - 1/4" INS. QUICK DISC.	4

15.15 Basic Machine Schematic w/Fuses

E-3171-3 Rev. B



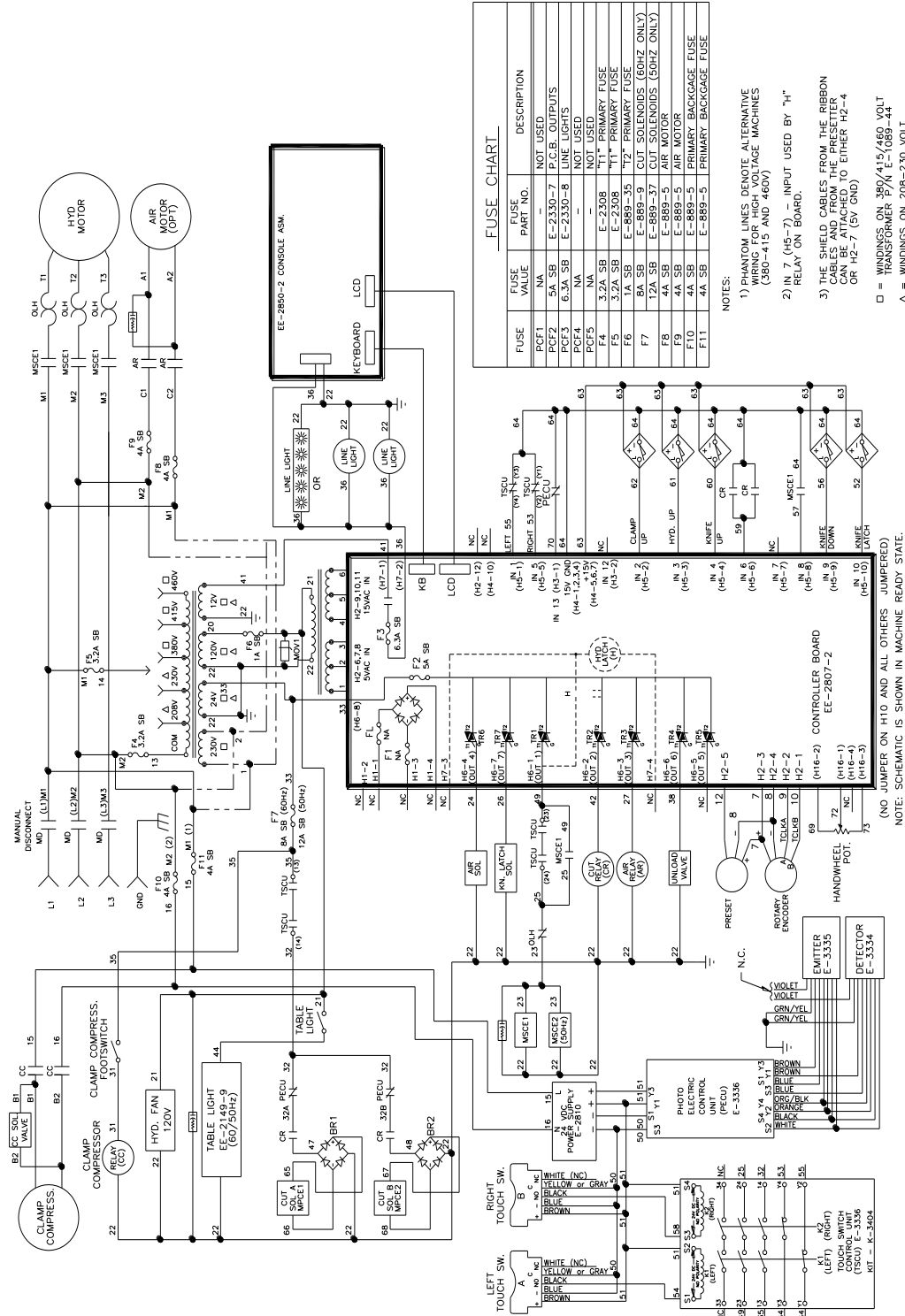
FUSE VALUE	FUSE PART NO.	DESCRIPTION
FCF1	NA	NOT USED
FCF2	5A SB	E-2330-7 P.C.B. OUTPUTS
FCF3	6.3A SB	E-2330-8 LINE LIGHTS
FCF4	NA	NOT USED
F5	3.2A SB	E-2308 "T1" PRIMARY FUSE
F6	1A SB	E-889-35 "T2" PRIMARY FUSE
F7	8A SB	E-889-9 CUT SOLENOIDS (60HZ ONLY)
F8	12A SB	E-889-37 CUT SOLENOIDS (50HZ ONLY)
F9	4A SB	E-889-5 AIR MOTOR
F10	4A SB	E-889-5 AIR MOTOR
F11	4A SB	E-889-5 PRIMARY BACKGAGE FUSE

- NOTES:
- 1) PHANTOM LINES DENOTE ALTERNATIVE WIRING FOR HIGH VOLTAGE MACHINES (380-415 AND 460V)
 - 2) IN 7 (H5-3) - INPUT USED BY "H" RELAY ON BOARD.
 - 3) THE SHIELD CABLES FROM THE RIBBON CABLES AND FROM THE PRESETTER CAN BE ATTACHED TO EITHER H2-4 OR H2-7 (5V GND)
- = WINDINGS ON 380/415/460 VOLT TRANSFORMER P/N E-1089-44
 △ = WINDINGS ON 208-230 VOLT TRANSFORMER P/N E-1089-41

(NO JUMPER ON H10 AND ALL OTHERS JUMPED)
 NOTE: SCHEMATIC IS SHOWN IN MACHINE READY STATE.

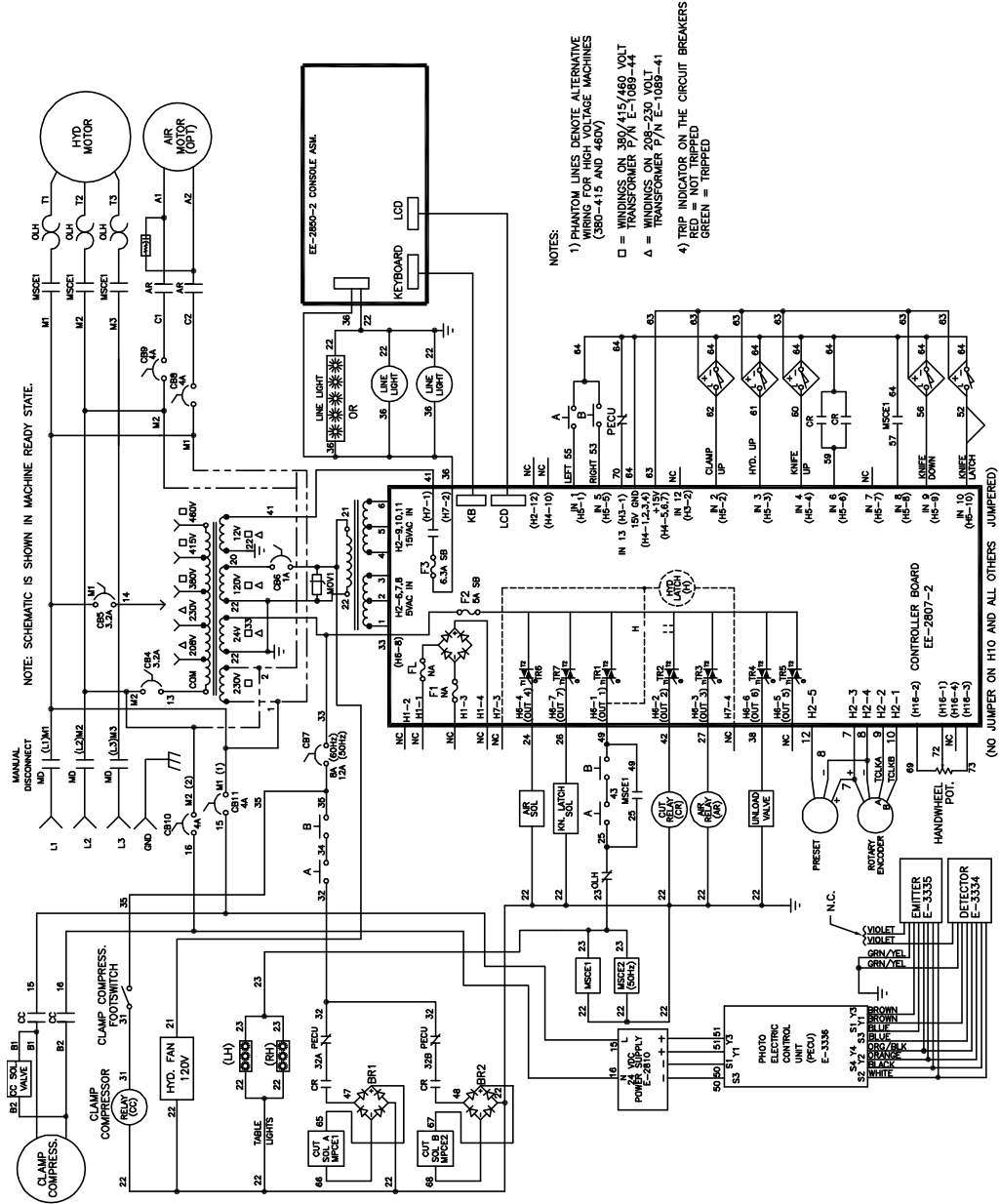
15.16 Basic Machine Schematic – Ergo Touch Models w/Fuses

E-3171-3 Rev. B



15.17 Basic Machine Schematic – Standard Cut w/Circuit Breakers

E-3171-4 rev."A"



NOTE: SCHEMATIC IS SHOWN IN MACHINE READY STATE.

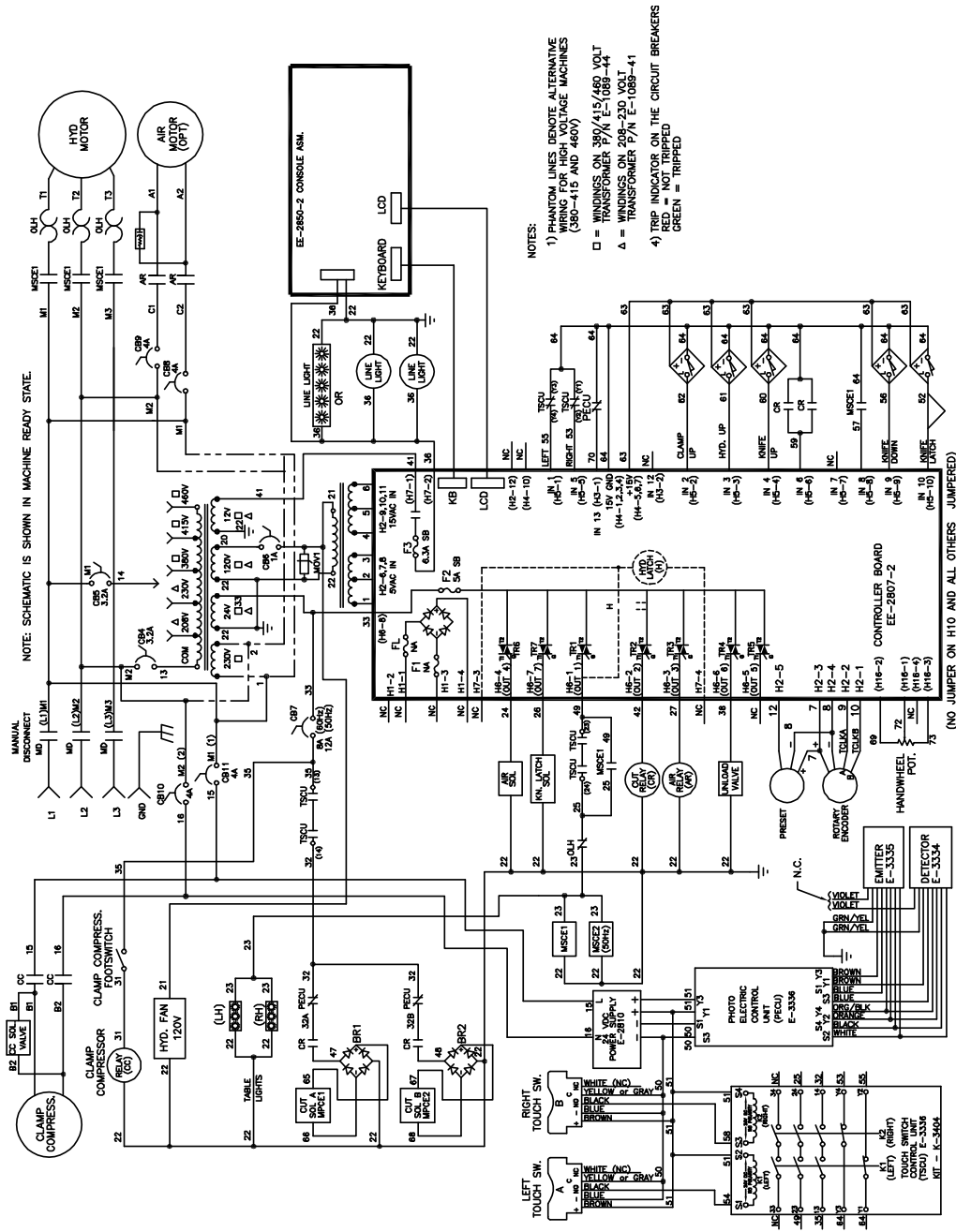
- NOTES:
- 1) PHANTOM LINES DENOTE ALTERNATIVE WIRING FOR HIGH VOLTAGE MACHINES (SBO-415 AND 460)
 - = WINDINGS ON 390/415/460 VOLT TRANSFORMER P/N E-1088-14
 - △ = TRANSFORMER P/N E-1088-41
 - 4) TRIP INDICATOR ON THE CIRCUIT BREAKERS (TRIP INDICATED BY RED LIGHT GREEN = TRIPPED)

FUSE CHART

FUSE	FUSE VALUE	FUSE PART NO.	DESCRIPTION
PCF1	NA	-	NOT USED
PCF2	5A SB	E-2330-7	F.C.B. OUTPUTS
PCF3	6.3A SB	E-2330-8	LINE LIGHTS
PCF4	NA	-	NOT USED
PCF5	NA	-	NOT USED

15.18 Basic Machine Schematic – Ergo Touch w/Circuit Breakers

E-3171-4 rev. "A"



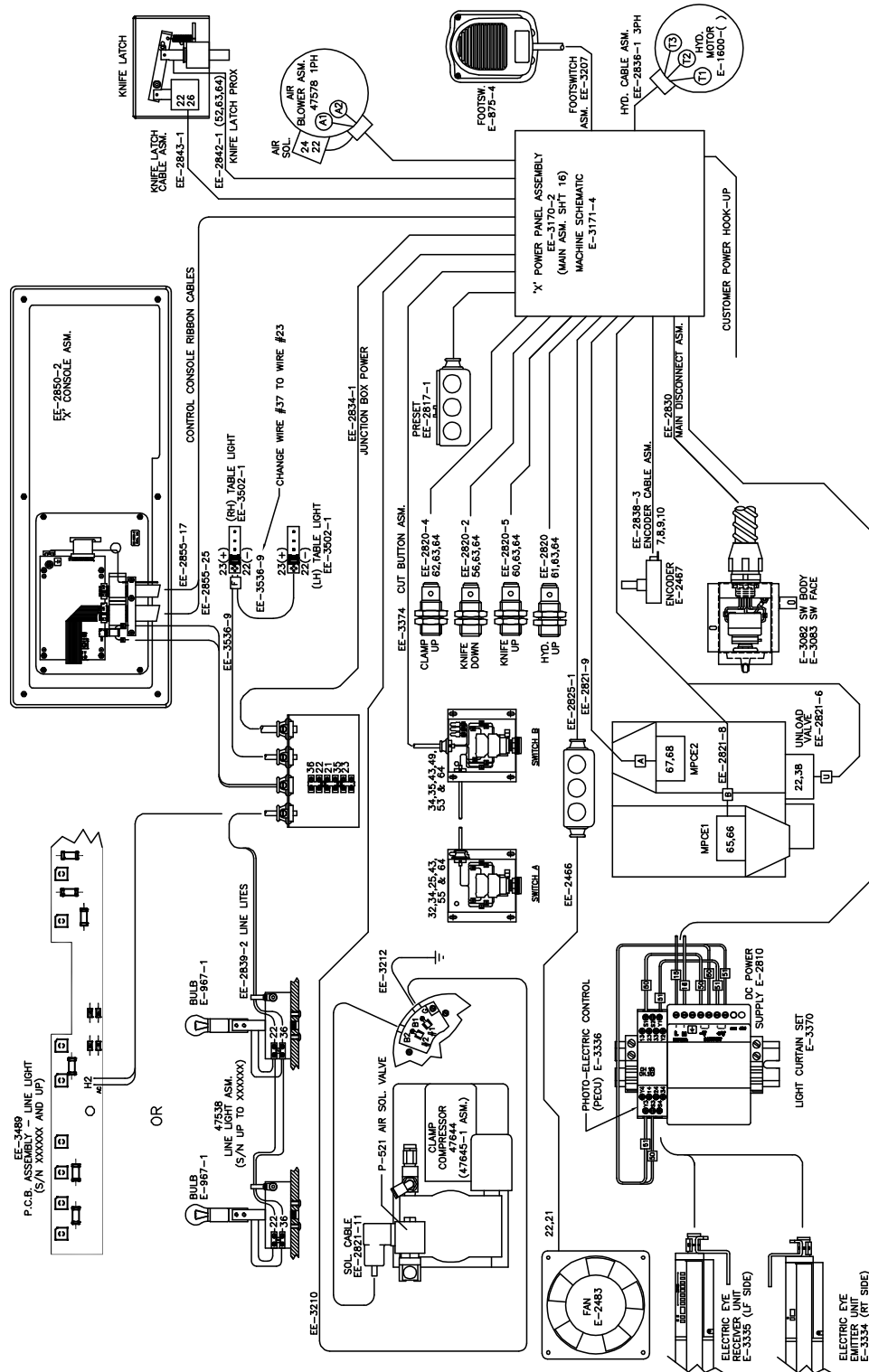
- NOTES:
- 1) PHANTOM LINES DENOTE ALTERNATIVE WIRING FOR HIGH VOLTAGE MACHINES (380-415 AND 460V)
 - = WINDINGS ON 380/415/460 VOLT TRANSFORMER P/N E-1088-44
 - △ = WINDINGS ON 230 VOLT TRANSFORMER P/N E-1088-41
 - 4) TRIP INDICATOR ON THE CIRCUIT BREAKERS INDICATED BY RED TRIANGLE GREEN = TRIPPED

FUSE CHART

FUSE	FUSE VALUE	FUSE PART NO.	DESCRIPTION
PCF1	NA	---	NOT USED
PCF2	5A SB	E-2330-7	F.C.B. OUTPUTS
PCF3	6.3A SB	E-2330-8	LINE LIGHTS
PCF4	NA	---	NOT USED
PCF5	NA	---	NOT USED

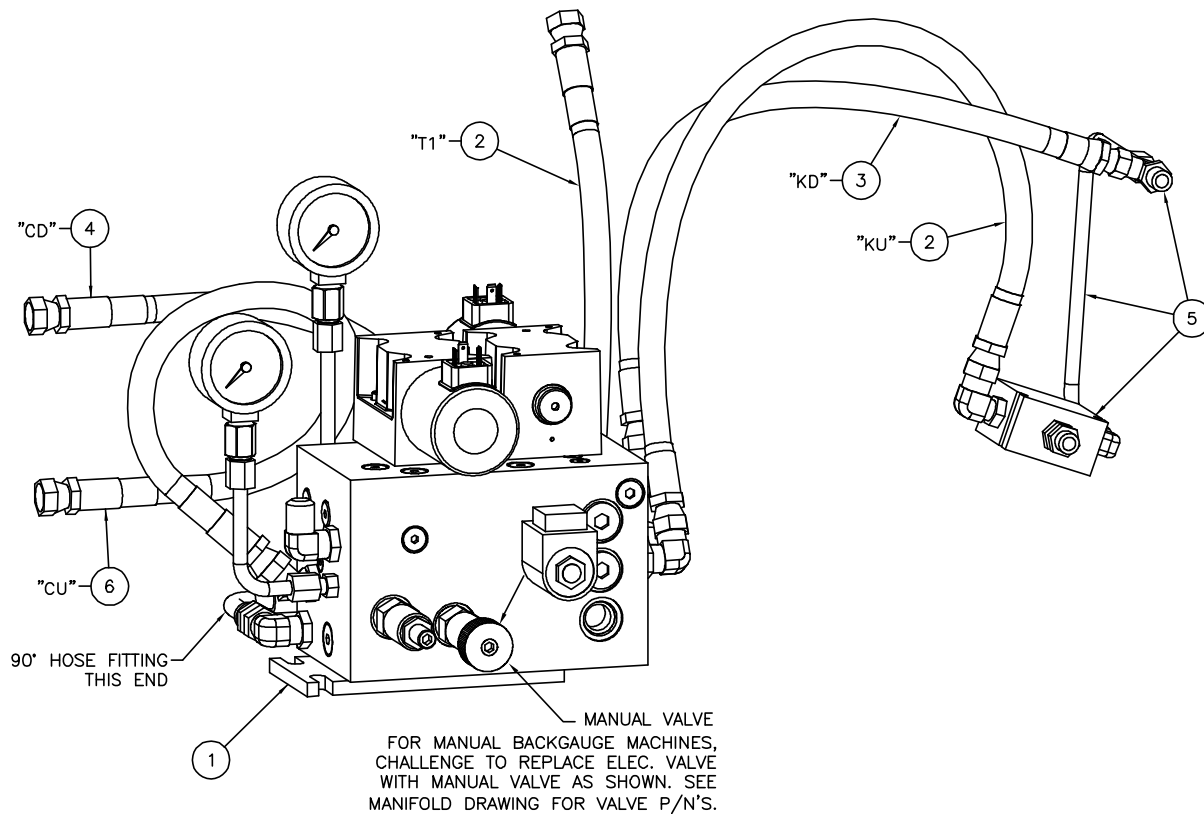
15.19 Interconnection Diagram

E-3474 Rev. "B"



15.20 Hydraulic Manifold Kit

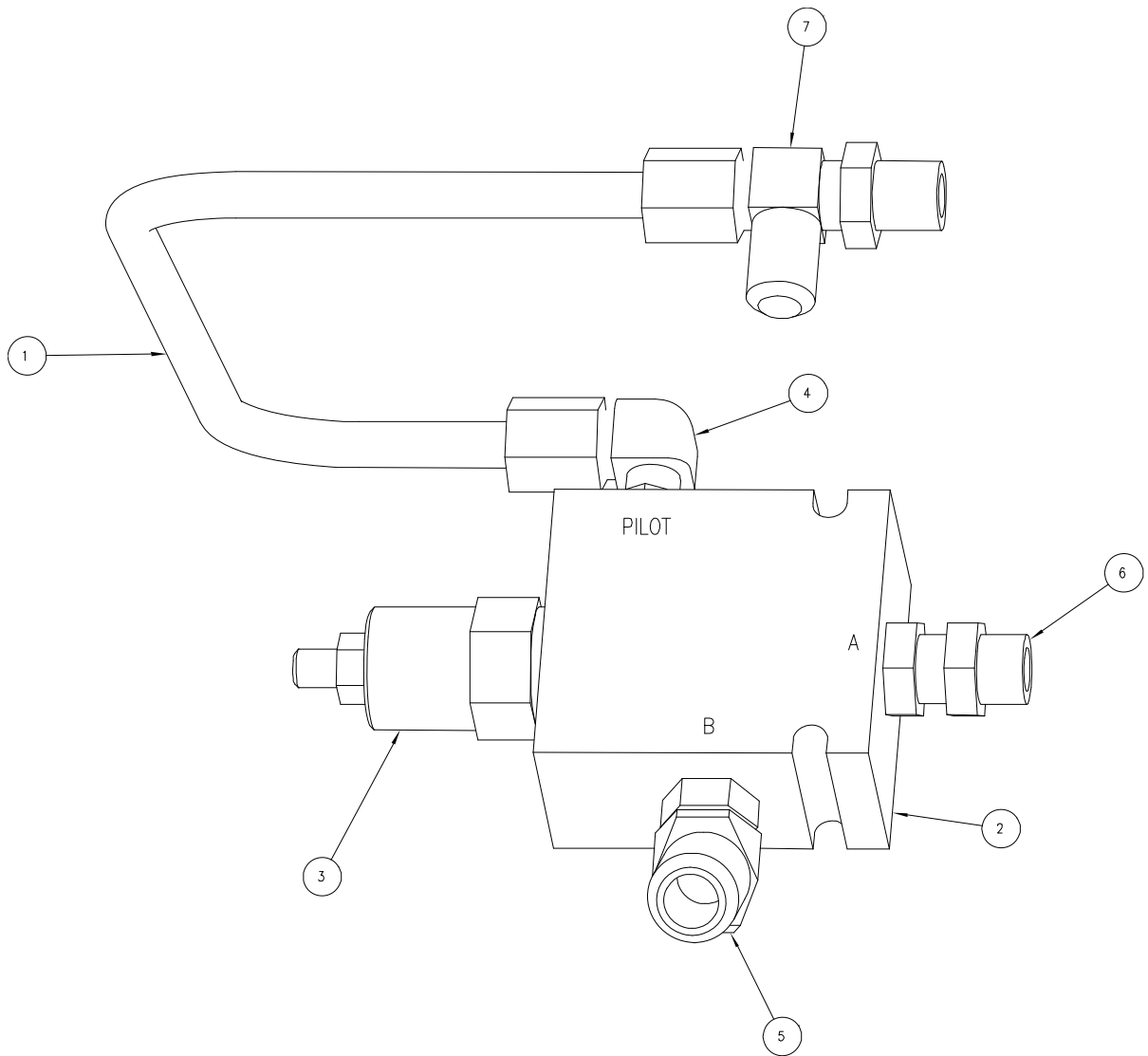
H-504-1, Rev. B



NO.	PART NO.	DESCRIPTION OF ACCESSORIES	QTY
1	H-465-2	MANIFOLD ASSEMBLY	1
2	H-242-37	HYDRAULIC HOSE ASSEMBLY (30" LONG)	2
3	H-242-43	HYDRAULIC HOSE ASSEMBLY (21" LONG)	1
4	H-242-84	HYDRAULIC HOSE ASSEMBLY (42" LONG)	1
5	H-437-1	VALVE ASM. - KNIFE DOWN SEQUENCE	1
6	H-242-65	HYDRAULIC HOSE ASSEMBLY (50" LONG)	1
7	S-1694-5	TYRAP- IDENTIFICATION	5

15.20.1 Knife Down Sequence Valve Assembly

H-437-1, Rev. D

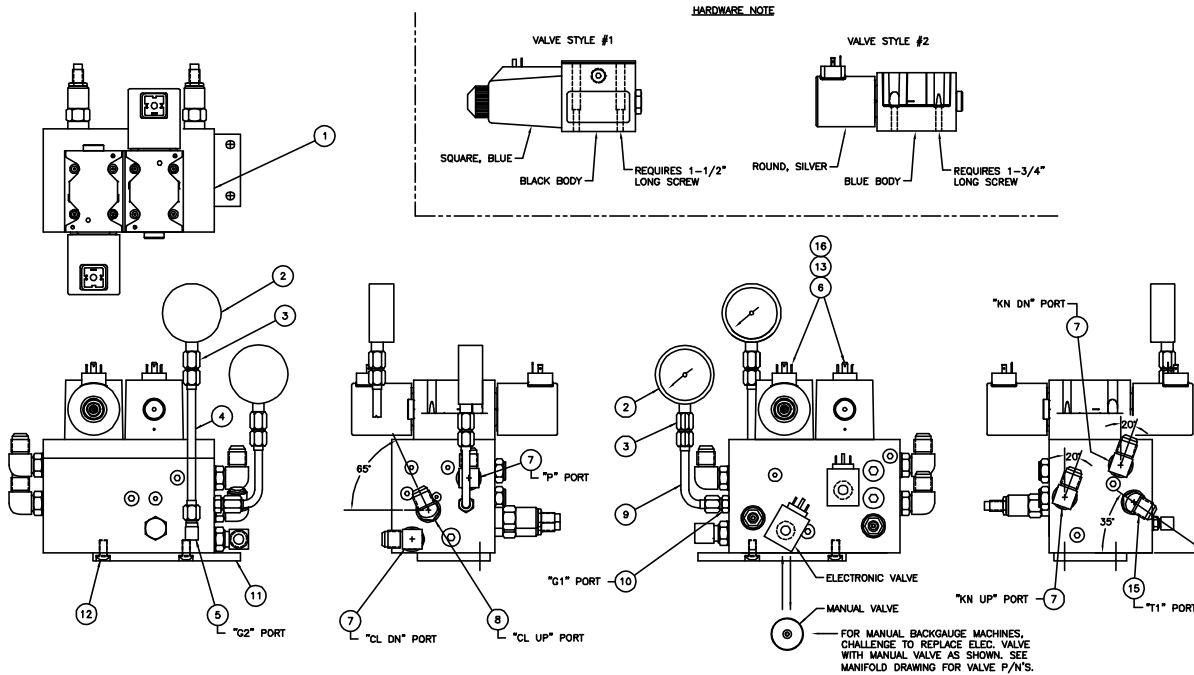


NO.	PART NO.	DESCRIPTION OF ACCESSORIES	QTY
1	56162-1	TUBE ASM.	1
2	56167	ALUMINUM BODY - COUNTER BAL. VALVE KIT	1
3	H-203-40	COUNTER BALANCE VALVE	1
4	H-230-10	ELBOW- ORING TO TUBE	1
5	H-230-6	ELBOW- O-RING TO TUBE	1
6	H-434	CONNECTOR - ORING TO ORING	1
7	H-435	MALE RUN TEE - ORING TO TUBE	1

15.0 Schematics & Parts Lists

15.20.2 Hydraulic Manifold Assembly

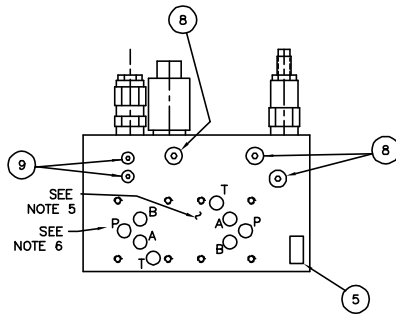
H-465-2, Rev. E



NO.	PART NO.	DESCRIPTION OF ACCESSORIES	QTY
1	H-468-3	MANIFOLD - HYDRAULIC	1
2	8P-629-3	GAGE	2
3	H-253-2	ADAPTER - PIPE TO TUBE	2
4	H-425-1	TUBE ASSEMBLY - "G2" PORT	1
5	H-230	ELBOW - 'O' RING TO TUBE	1
6	H-6918-414	1/4-20 X 1-3/4" SOC HD. SCR (SEE NOTE)	8
7	H-230-4	ELBOW - 90° 'O' RING TO TUBE	4
8	H-272-3	ELBOW - 45° 'O' RING TO TUBE	1
9	H-518	TUBE ASSEMBLY - "G1" PORT	1
10	H-236-5	ADAPTER - 'O' RING TO TUBE	1
11	47256	PLATE - MANIFOLD MOUNT	1
12	H-6910-606	3/8-16 X 3/4 BUTTON HD. CAP SCREW	3
13	H-557	VALVE - 4 WAY (24 VDC)	2
14			
15	H-230-8	ELBOW - 90° 'O' RING TO TUBE	2
16	H-7329-4	WASHER - 1/4 HIGH COLLAR LOCK	8

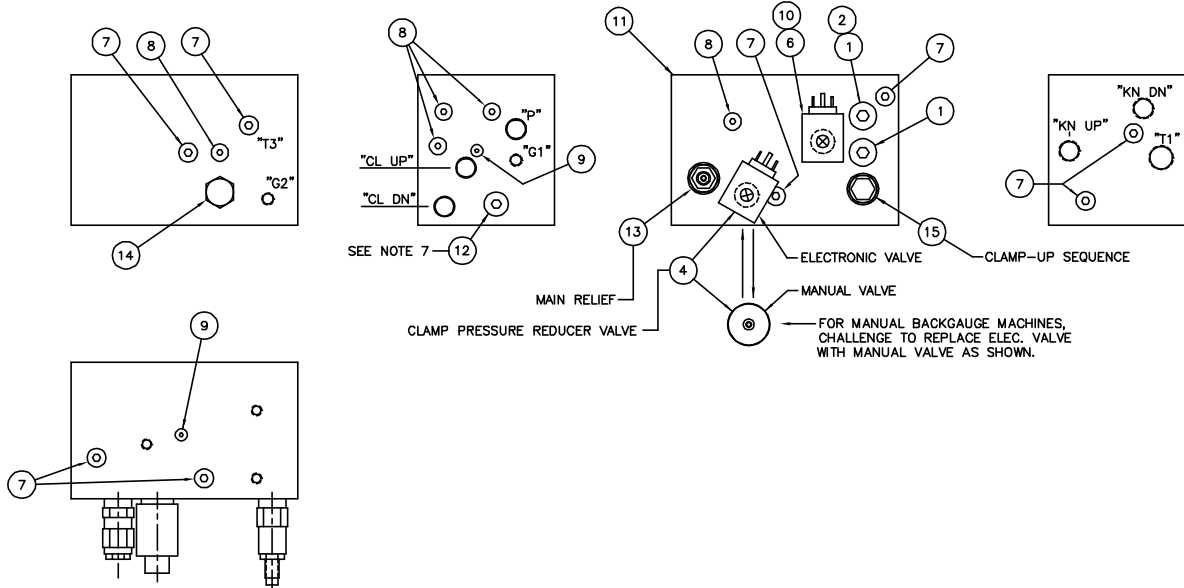
15.20.2.1 Hydraulic Manifold

H-468-3, Rev. C



REPAIR NOTES:
 "O" RING REPLACEMENT KIT - PART NUMBER H-504-SK
 PLUG REPLACEMENT KIT- PART NUMBER H-504-PK
 'O' RING REPLACEMENT KIT FOR PLUGS PART NUMBER H-504-PSK
 TIGHTEN PLUGS TO TORQUES SPECIFIED IN PARTS LIST

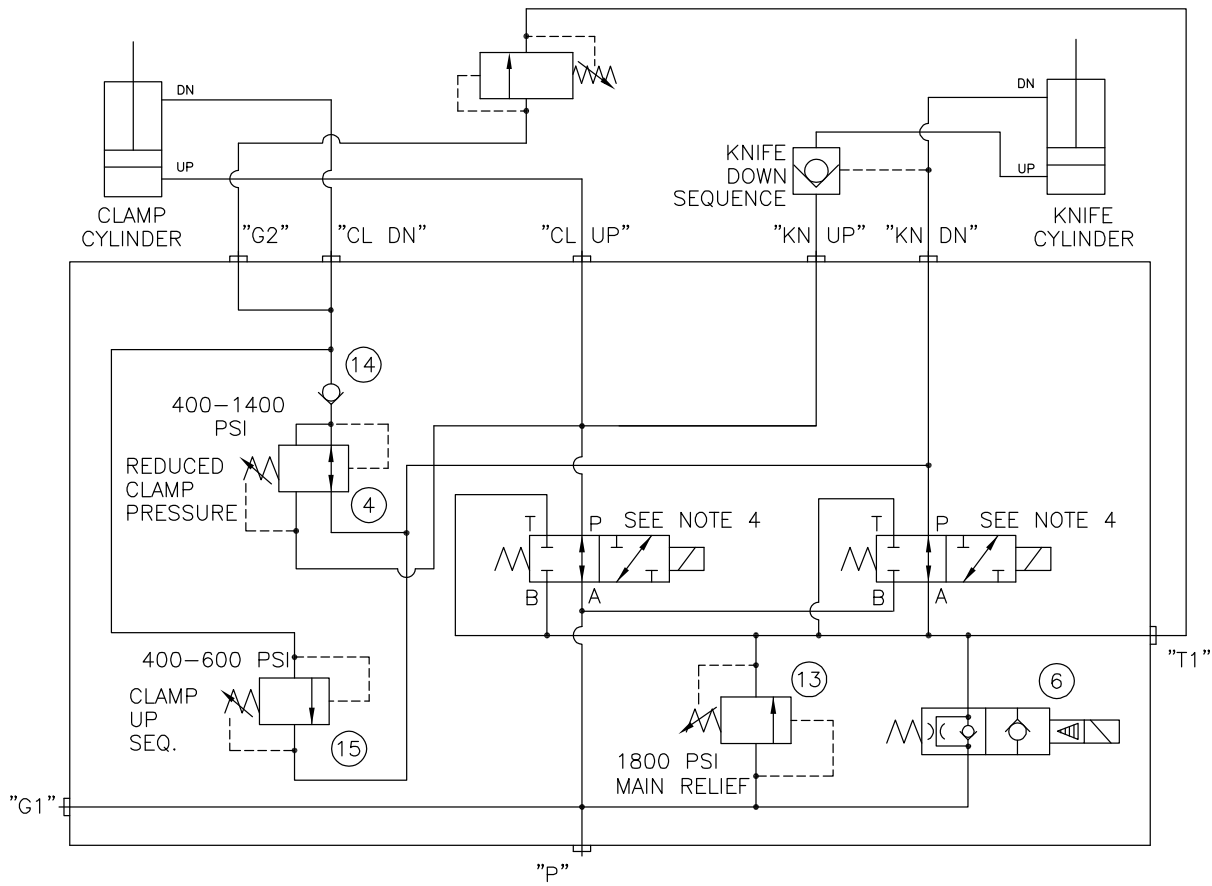
NOTES:
 1 ALL DIMENSIONS ARE IN INCHES UNLESS OTHERWISE SPECIFIED.
 2 METAL STAMP PORT NOMENCLATURES AND PART NO. AS SHOWN IN QUOTES.
 3 TORQUE ALL CARTRIDGES & PLUGS PER MC SPEC NO. 19020.
 4 (2) 4 WAY VALVES ARE SUPPLIED BY CUSTOMER.
 5 THIS SURFACE MUST BE PROTECTED DURING STORAGE AND HANDLING.
 6 DO NOT STAMP (FOR REF. ONLY).
 7 OPTIONAL "P" PORT.
 PORT SIZES:
 "G1" & "G2"-----SAE #4(7/16-20 THD.)
 "CL UP", "CL DN", "KN UP", "KN DN",
 "P"-----SAE #8(3/4-16 THD.)
 "T1"-----SAE #10(7/8-14 THD.)
 (2) D02 MTG. PADS



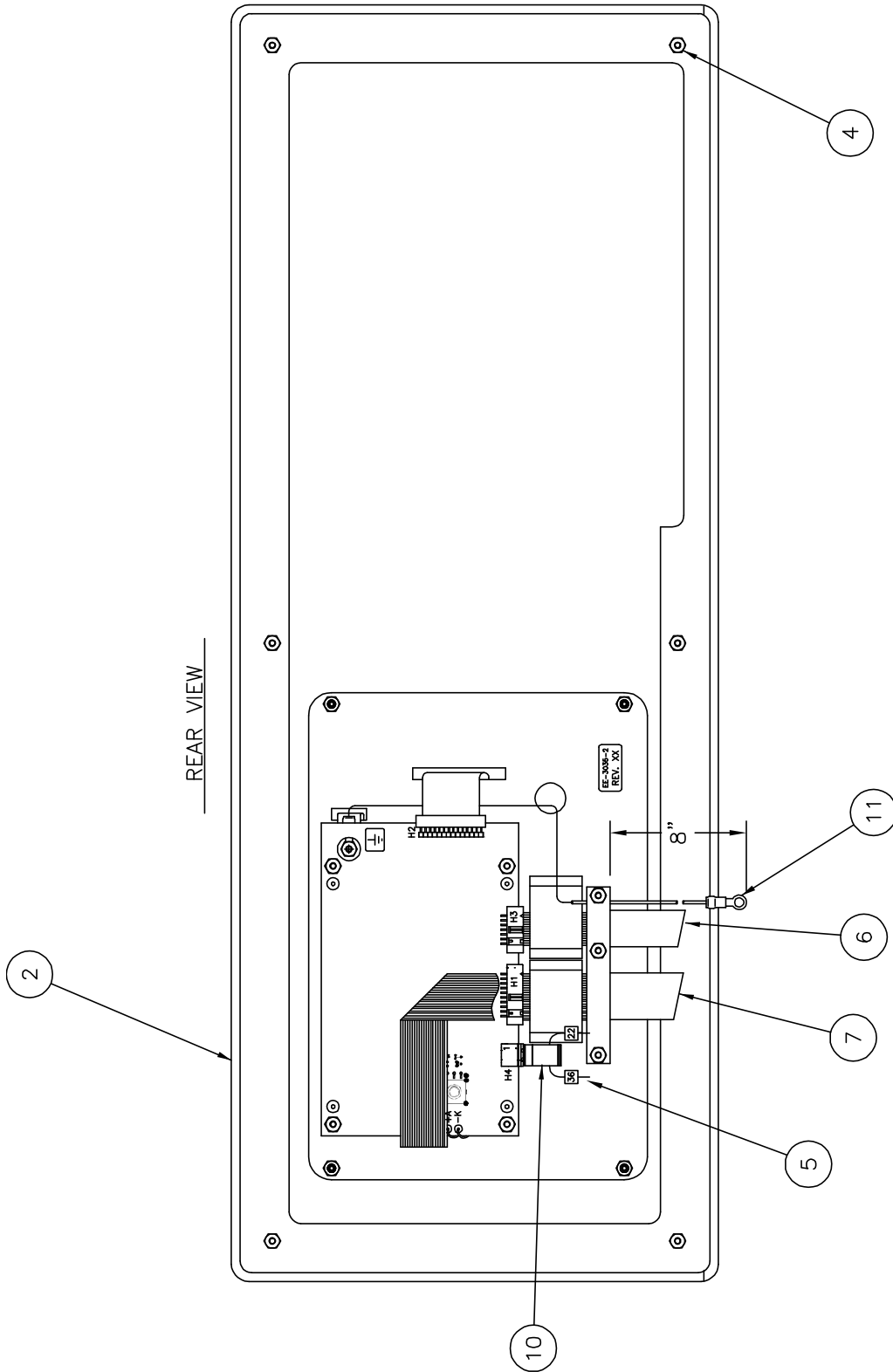
NO.	PART NO.	DESCRIPTION OF ACCESSORIES	QTY
1	H-427-4	PLUG - SAE	2
2	H-427	PLUG - SAE	1
3			
4	5136	PRESSURE REDUCING VALVE - MANUAL	1
5	N/P	NAMEPLATE	1
6	E-1069-17	COIL (24 VAC)	1
7	H-427-5	SAE PLUG (220 IN-LB TORQUE)	8
8	H-427-2	SAE PLUG SAE PLUG (180 IN-LB TORQUE)	9
9	H-427	SAE PLUG (35 IN-LB TORQUE) SAE PLUG	4
10	H-200-3	CARTRIDGE VALVE	1
11	N/P	VALVE MANIFOLD	1
12	H-427-3	SAE PLUG (550 IN-LB TORQUE)	2
13	H-203-26	RELIEF VALVE	2
14	H-203-38	CHECK VALVE - 10 PSI (305 MANUAL & TITAN 265)	1
15	H-203-43	RELIEF VALVE	1

15.21 Hydraulic Schematic

H-468-3, Rev. C



EE-2850-2, Rev. A (Rear View)



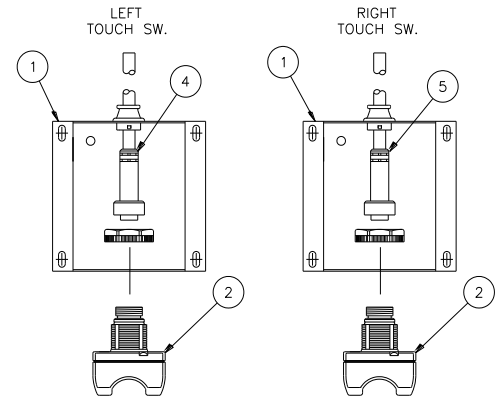
NOTES:

15.24 Cut Button Kit – Ergo Style Touch Switches

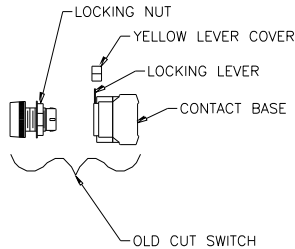
K-3379, Rev. A

INSTALLATION INSTRUCTIONS:

- 1) Remove power from the machine. Follow the "Lock-Out" procedure listed in the manual.
- 2) Drop the cut button boxes from the bottom of the table by removing the (8) mounting screws (keep these screws safe for later use).
- 3) On each switch there is a yellow locking tab – pry off this locking tab to reveal the lever underneath. Move the lever over to unlock the contacts from the base.
- 4) Remove the cut buttons from the box by removing the locking nut inside the box.
- 5) The front switch hole must be enlarged – increase the diameter of this hole to 1-3/16 (a step drill works great for this application).
- 6) On the left hand cut switch box – move the cable strain relief to the rear of the box – as shown. Use the supplied hole plugs to plug the empty holes.
- 7) Install the new 'Touch Switches' into the vacated switch holes and lock in place using the supplied lock nuts.
- 8) Screw the cables into the touch switches and remount the box onto the bottom of the table.
- 9) Follow the cut switch cable back into the power panel and remove.
- 10) Put both touchswitch cables into the vacated cut switch cable strain relief on top of the front enclosure and follow the instructions on sheet 2 to install the wires.
- 11) Use the supplied ty-raps to secure the cables and wires up out of the way of any moving parts.
- 12) The software for this machine needs to be changed – replace the existing programmed eeprom with the supplied programmed eeprom (item #9). See item #10 "reference guide for chip replacement" for instructions.
- 13) Reapply power to the machine

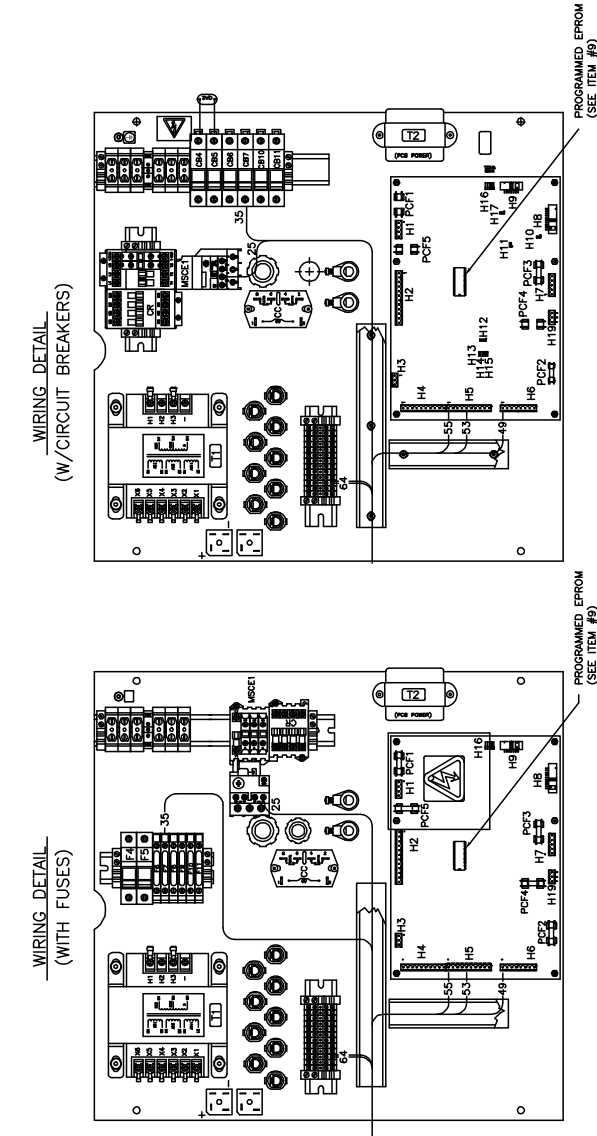


Note: The beams of the Touch Switches must remain broken all of the way through the cut cycle



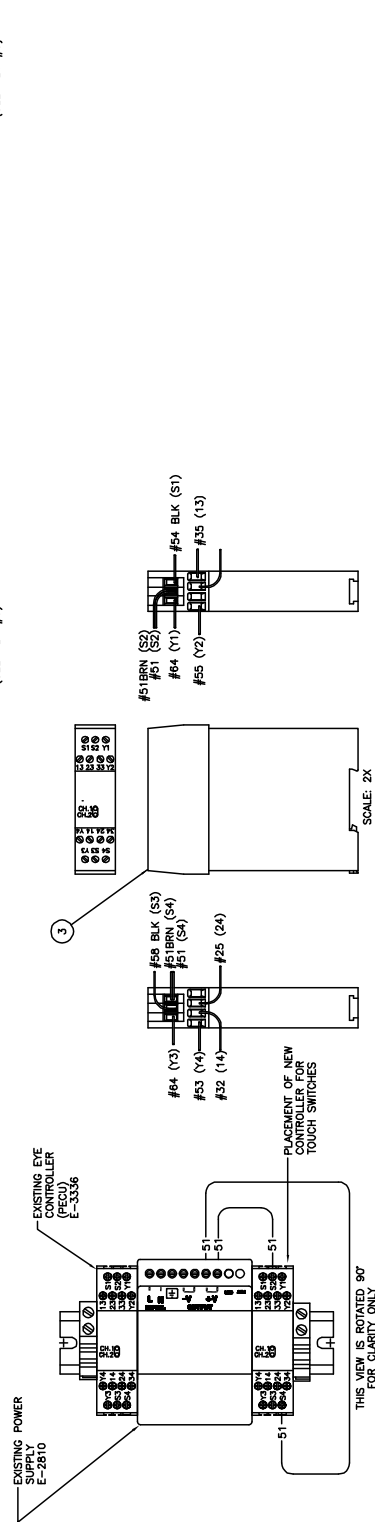
NO.	PART NO.	DESCRIPTION OF ACCESSORIES	QTY
1	16566-4	BOX – CUT BUTTON	2
2	E-3347	SWITCH – TOUCH	2
3	EE-3350-2	CONTROLLER ASM. – TOUCH SWITCH	1
4	EE-3348-2	CABLE ASM. – TOUCH SWITCH, LH	1
5	EE-3349-2	CABLE ASM. – TOUCH SWITCH, RH	1
6	E-3171-2	SCHEMATIC – BASIC MACHINE (DRAWING ONLY)	1
7	E-2196-11	PLUG – HOLE, BLACK	2
8	S-1694	TY-RAP – CABLE	4
9	EE-1766-113	EPROM – PROGRAMMED CHIP	1
10	F.668-H	REFERENCE GUIDE – IC REPLACEMENT	1

K-3379, Rev. A, Continued



- INSTALLATION INSTRUCTIONS:
- 1) OPEN THE POWER PANEL DOOR AND LOCATE THE ELECTRIC EYE CONTROLLER ASSEMBLY MOUNTED ON THE INSIDE LEFT WALL. LOOSEN THE SCREWS AT THE TOP OF THE END BLOCK AND SLIDE IT DOWN THE RAIL.
 - 2) FOR FACE OF ASSEMBLY - FOLLOW THE WIRING DETAIL DESCRIPTION IN THE CHART TO LOCATE THE WIRE. ONCE ALL OF THE WIRES HAVE BEEN ATTACHED, CONTINUE TO STEP 3.
 - 3) SNAP THE CONTROLLER ASM. (ITEM #3) ONTO THE RAIL AS SHOWN. SLIDE THE END BLOCK BACK UP AND TIGHTEN THE SCREW(S) TO SECURE.
 - 4) INSTALL THE TOUCH SWITCH CABLES AS SHOWN BELOW.

WIRE	ROUTE
WIRES ON THE CONTROLLER (ITEM #3)	
32	TO PECU TERMINAL (13) OR (23)
35	TO FUSE HOLDER "77"
49	TO PCB H6-1 "OUT 1"
55	TO PCB H5-1 "IN1"
51	TO EXISTING POWER SUPPLY "+V"
51	TO EXISTING POWER SUPPLY "+V"
53	TO PCB H5-2 "IN5"
53	TO PCB H5-2 "IN5"
54	TO GRAY TERMINAL BLOCKS
54	TO GRAY TERMINAL BLOCKS
WIRES FROM TOUCH SW. CABLE (LH)	
50	TO EXISTING POWER SUPPLY "-V"
50	TO EXISTING POWER SUPPLY "-V"
51	TO CONTROLLER TERMINAL "S2"
54	TO CONTROLLER TERMINAL "S1"
WIRES FROM TOUCH SW. CABLE (RH)	
50	TO EXISTING POWER SUPPLY "-V"
50	TO EXISTING POWER SUPPLY "-V"
51	TO CONTROLLER TERMINAL "S4"
51	TO CONTROLLER TERMINAL "S3"



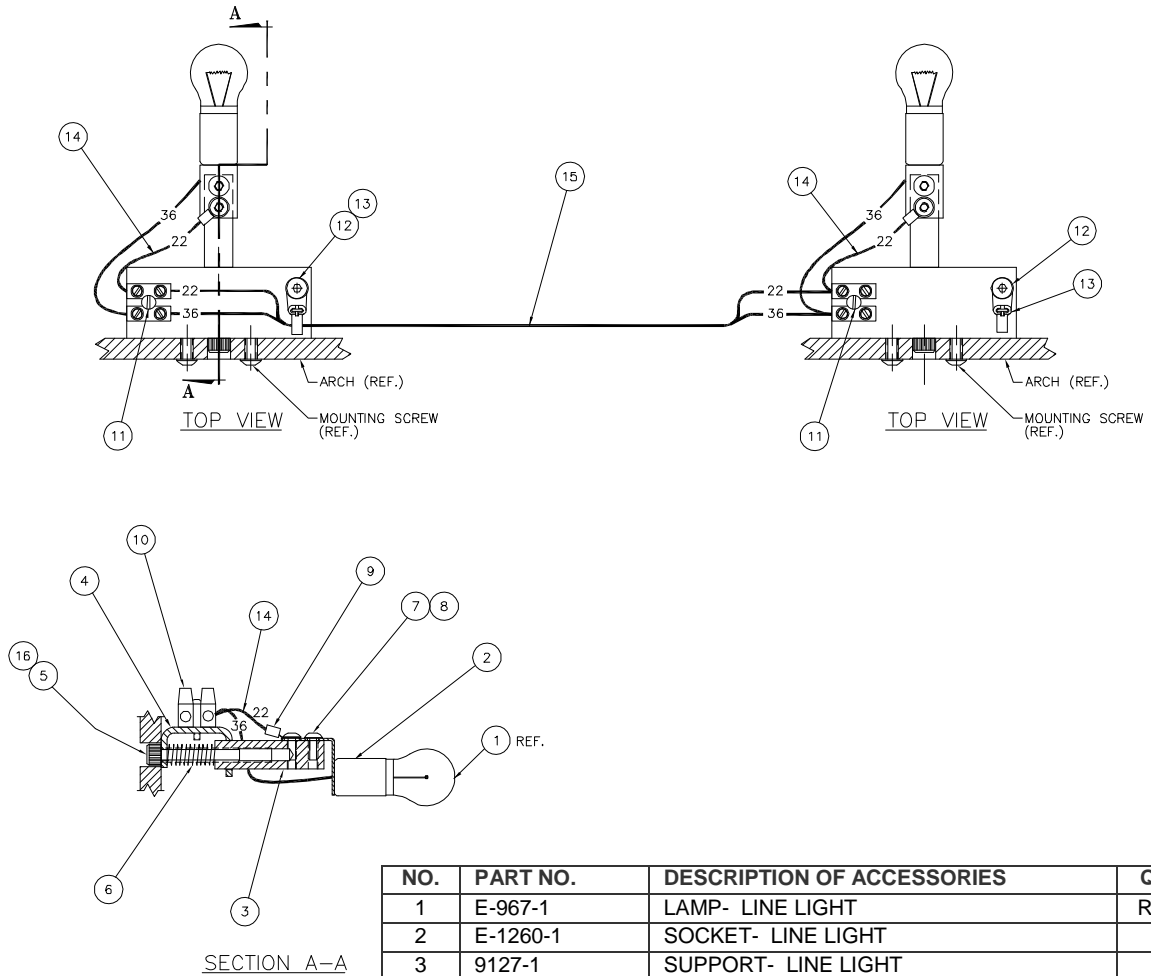
15.25 Line Light Assembly

S/N's: 1509999 and below

S/N's: 305-J-151075 and below

NOTE: For LED style line light (S/N's: 305-J-151076 and above), see Section 15.6 on page 76 for the LED line light assembly part number.

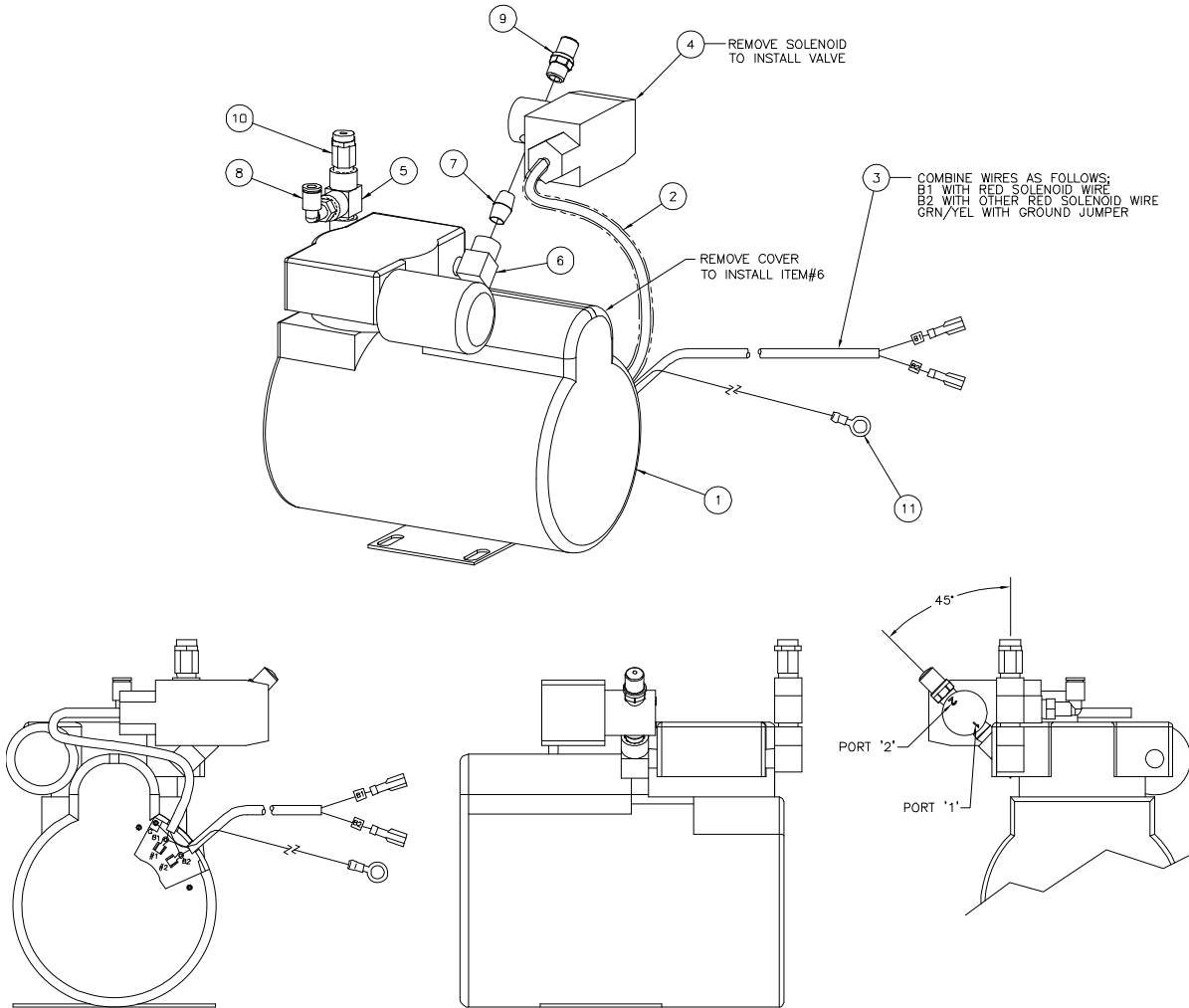
47538, Rev. D (Incandescent Type)



NO.	PART NO.	DESCRIPTION OF ACCESSORIES	QTY
1	E-967-1	LAMP- LINE LIGHT	REF.
2	E-1260-1	SOCKET- LINE LIGHT	2
3	9127-1	SUPPORT- LINE LIGHT	2
4	47262	BRACKET- LINE LIGHT	2
5	H-6918-410	SCREW - 1/4-20 X 1-1/4 SOC HEAD CAP	2
6	35048-13	SPRING- COMPRESSION	2
7	H-6910-83203	SCREW- #8-32 X 3/8 BUT. HD. CAP.	4
8	H-7330-#8	WASHER- #8 INT. TOOTH	4
9	E-1214-9	CONNECTOR- #8 EYELET	2
10	E-2626-2	TERMINAL STRIP- 2 POLE	2
11	H-6923-44010	SCREW- #4-40 X 5/8 RD. HD. MACH.	2
12	H-6910-102403	SCREW- #10-24 X 3/8 BUTT. HD. CAP.	2
13	S-1694-2	TIE- CABLE	2
14	E-709-R	WIRE- #18 GA. RED MTW (4" LONG)	2
15	E-709-R	WIRE- #18 GA. RED MTW (16-1/2" LONG)	2
16	SU-10-106	GREASE - DAMPENING	1

15.26 Compressor Assembly

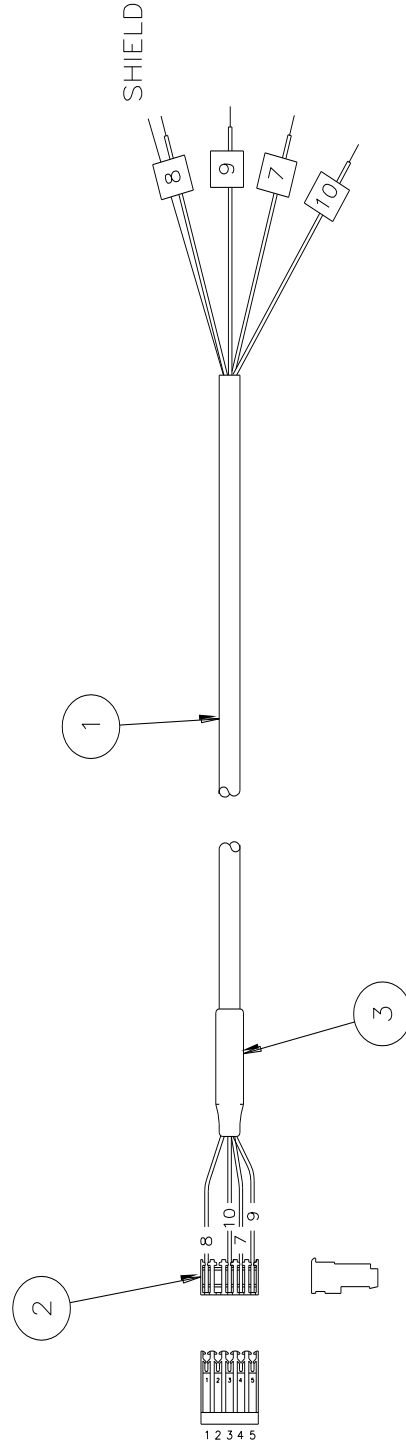
47645-1 Rev. E



NO.	PART NO.	DESCRIPTION OF ACCESSORIES	QTY
1	47644	COMPRESSOR	1
2	E-1710-3	SPLIT TUBING	12"
3	EE-3210	CABLE ASSEMBLY- COMPRESSOR POWER	1
4	P-521	VALVE- 2-WAY, N.O.	1
5	H-261-3	TEE- 1/4 MALE RUN, BRASS	1
6	H-269-2	ELBOW - 90% $\frac{1}{16}$ STREET, BRASS	2
7	H-6406-407	NIPPLE- 1/4" X 7/8", BRASS	1
8	P-503-402	ELBOW-1/4 TUBE X 1/4 NPT	1
9	P-511	SILENCER - 1/4 NPT	1
10	P-520-125	VARIABLE PRESSURE RELIEF	1
11	EE-3212	WIRE ASM. - COMPRESSOR GROUND	1
12	S-1694	TYRAP - WIRE	2
13	E-1214-9	CONNECTOR - #8 RING	2

15.27 Encoder Cable Assembly

EE-2838-3 Rev A

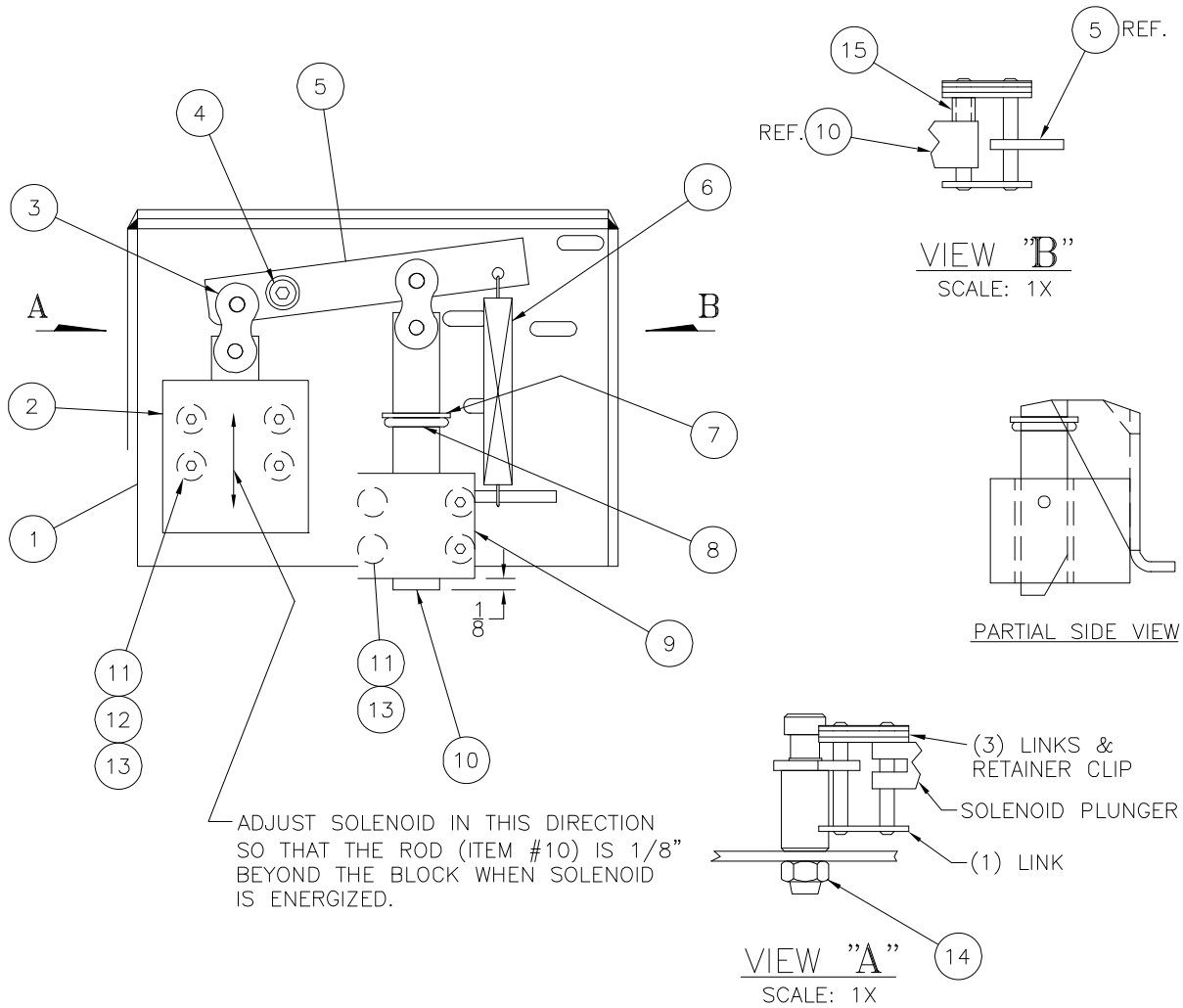


NO.	PART NO.	DESCRIPTION OF ACCESSORIES	QTY
1	E-2365-2	CABLE, #24 GA. 4 COND. W/SHIELD 75" LONG	1
2	E-2322-3	CONNECTOR PLUG - END (.100" CENTERS)	1
3	E-1453-4	HEAT SHRINK TUBING - 1" LONG	1

WIRE NO.	WIRE FUNCTION	WIRE COLOR	PIN NO.
7	+5V	RED	4
8	5V GND	BLACK	1
9	CH. A	GREEN	5
10	CH. B	WHITE	3

15.28 Knife Latch Assembly

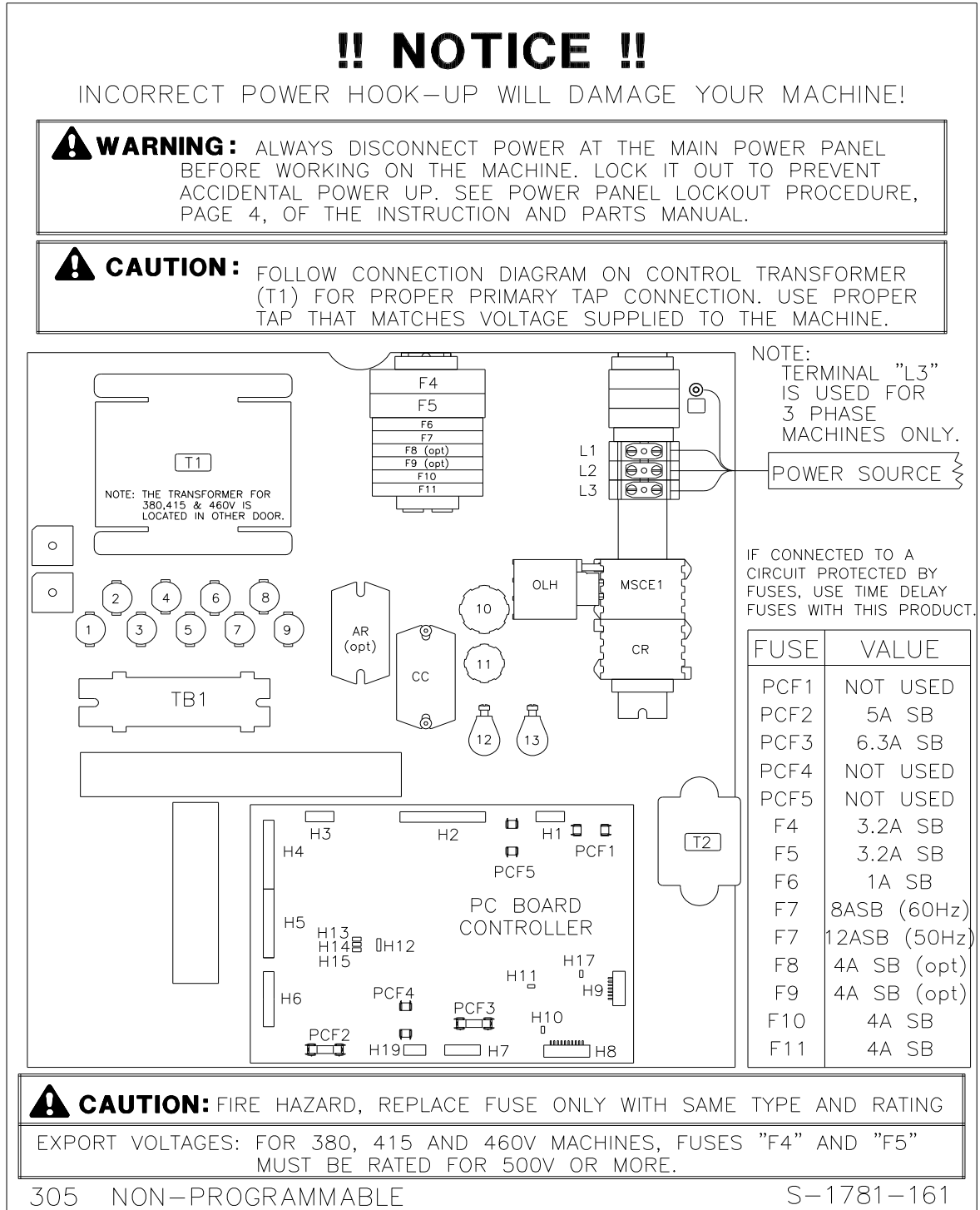
47568-1, Rev. A



NO.	PART NO.	DESCRIPTION OF ACCESSORIES	QTY
1	47505-1	PLATE- KNIFE LATCH MOUNT	1
2	E-974-3	SOLENOID	1
3	47567	LINK- CHAIN	2
4	H-5254-510	SCREW- 5/16 X 1-1/4 SOC. SHOULDER	1
5	47553-1	LINK ASSEMBLY- KNIFE LATCH	1
6	41117-1	SPRING- EXTENSION	1
7	H-6451-0500	RETAINING RING- GRIPPING EXTERNAL	1
8	S-1810-9	O' RING	1
9	41112-2	ASSEMBLY- KNIFE LATCH BLOCK	1
10	41116-2	ROD- KNIFE LATCH	1
11	H-6910-83203	SCREW- #8-32 X 3/8 BUT. HD. SOC.	8
12	H-7321-#8	WASHER- #8 SAE FLT PLTD	4
13	H-7324-#8	WASHER- #8 INT. TOOTH	8
14	H-5247-4	NUT- 1/4-20 FLEX LOCK	1
15	E-1152-9	SPACER	1

15.29 Power Panel Connection Procedure Label (Fuses)

S-1781-161, Rev. B



15.30 Power Connection Procedure Label – Circuit Breakers

S-1781-231 rev. "A"

!! NOTICE !!

INCORRECT POWER HOOK-UP WILL DAMAGE YOUR MACHINE!

⚠ WARNING: ALWAYS DISCONNECT POWER AT THE MAIN POWER PANEL BEFORE WORKING ON THE MACHINE. LOCK IT OUT TO PREVENT ACCIDENTAL POWER UP. SEE POWER PANEL LOCKOUT PROCEDURE, PAGE 4, OF THE INSTRUCTION AND PARTS MANUAL.

⚠ CAUTION: FOLLOW CONNECTION DIAGRAM ON CONTROL TRANSFORMER (T1) FOR PROPER PRIMARY TAP CONNECTION. USE PROPER TAP THAT MATCHES VOLTAGE SUPPLIED TO THE MACHINE.

NOTE: THE TRANSFORMER FOR THIS USE IS ALWAYS BE LOCATED IN OTHER DOOR.

NOTE:
TERMINAL "L3"
IS USED FOR
3 PHASE
MACHINES ONLY.

POWER SOURCE

FUSE	VALUE
PCF1	NOT USED
PCF2	5A SB
PCF3	6.3A SB
PCF4	NOT USED
PCF5	NOT USED

CIRCUIT BREAKERS	
CB4	4A
CB5	4A
CB6	1A
CB7	8A (60Hz)
CB7	12A (50Hz)
CB8	4A (AIR OPT)
CB9	4A (AIR OPT)
CB10	4A
CB11	4A

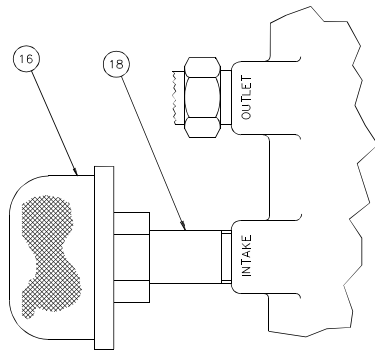
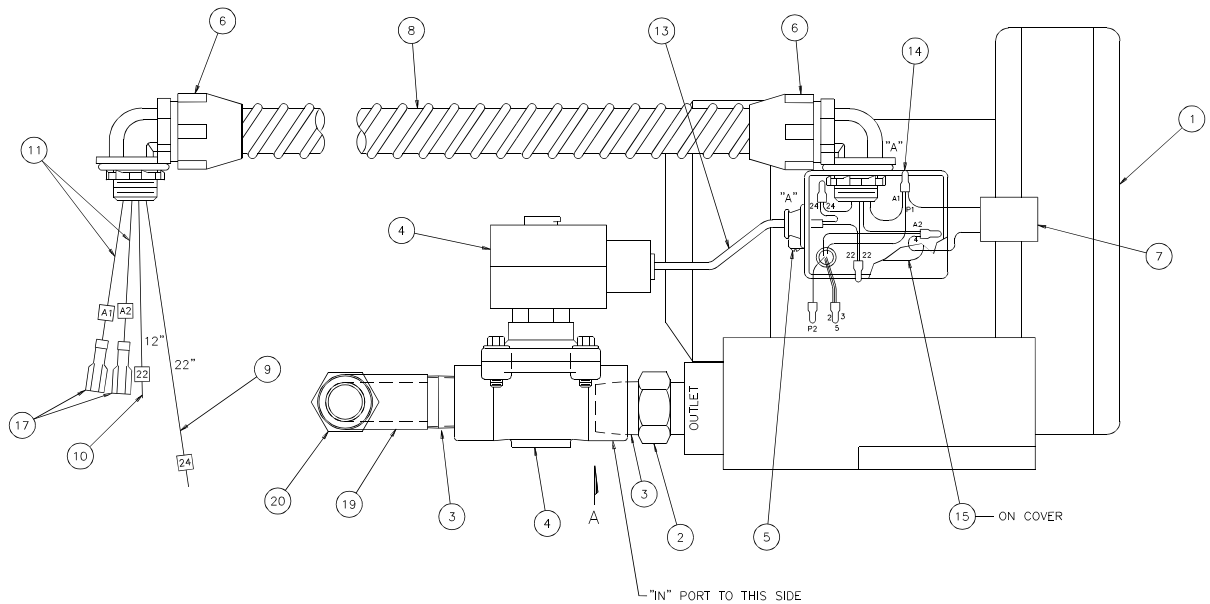
CIRCUIT BREAKER TRIP INDICATOR
RED = NOT TRIPPED
GREEN = TRIPPED

⚠ CAUTION: FIRE HAZARD, REPLACE FUSE ONLY WITH SAME TYPE AND RATING

305 NON-PROGRAMMABLE
S-1781-231

15.31 Air Table Blower Assembly (For Air Table Option)

47578, Rev. C



VIEW A
SCALE: NONE

WIRING CHART		
HIGH VOLTAGE	WIRE NO.	CONNECT TO BLOWER NO.
230V 60Hz	A1	P1
	A2	4
240V 50Hz	-	P2
	-	2, 3 & 5

NO.	PART NO.	DESCRIPTION OF ACCESSORIES	QTY
1	E-1223-4	BLOWER - 1PH	1
2	P-204	REDUCER - PVC	1
3	H-6405-1212	NIPPLE - 3/4 CLOSE SCH 40	2
4	P-202-1	VALVE - SOLENOID	1
5	S-1350-16	STRAIN RELIEF	1
6	E-2190-1	CONNECTOR - 90° ELBOW	2
7	E-1736-2	QUENCHARC - 3" WIRE LEADS	1
8	E-2189-1	TUBING - 54" LONG	1
9	E-709-R	WIRE 18 GA RED MTW 81" LONG, #24	1
10	E-709-R	WIRE 18 GA RED MTW 71" LONG, #22	1
11	E-709-R	WIRE 18 GA RED MTW 67" LONG, #A1 & A2	2
12	E-1214-4	CONNECTOR - #8 INS. LOCKING FORK	1
13	E-1453-1	SHRINK TUBING - 6" LONG	1
14	E-1237-1	NUT - WIRE, SM YELLOW	6
15	S-1781-12	LABEL - EURO SHOCK W/TEXT	1
16	P-102	STRAINER	1
17	E-1214-49	CONNECTOR - 1/4" FULLY INS. QUICK DISC.	2
18	P-212-1	PIPE NIPPLE - 1" x 1-1/2 PLASTIC	1
19	P-463	THREADED "T"- PVC (3/4 NPT)	1
20	E-2191-2	CONNECTOR- STRAIGHT, PLASTIC CONDUIT	2

15.32 Paper Deflector Kit (Option)

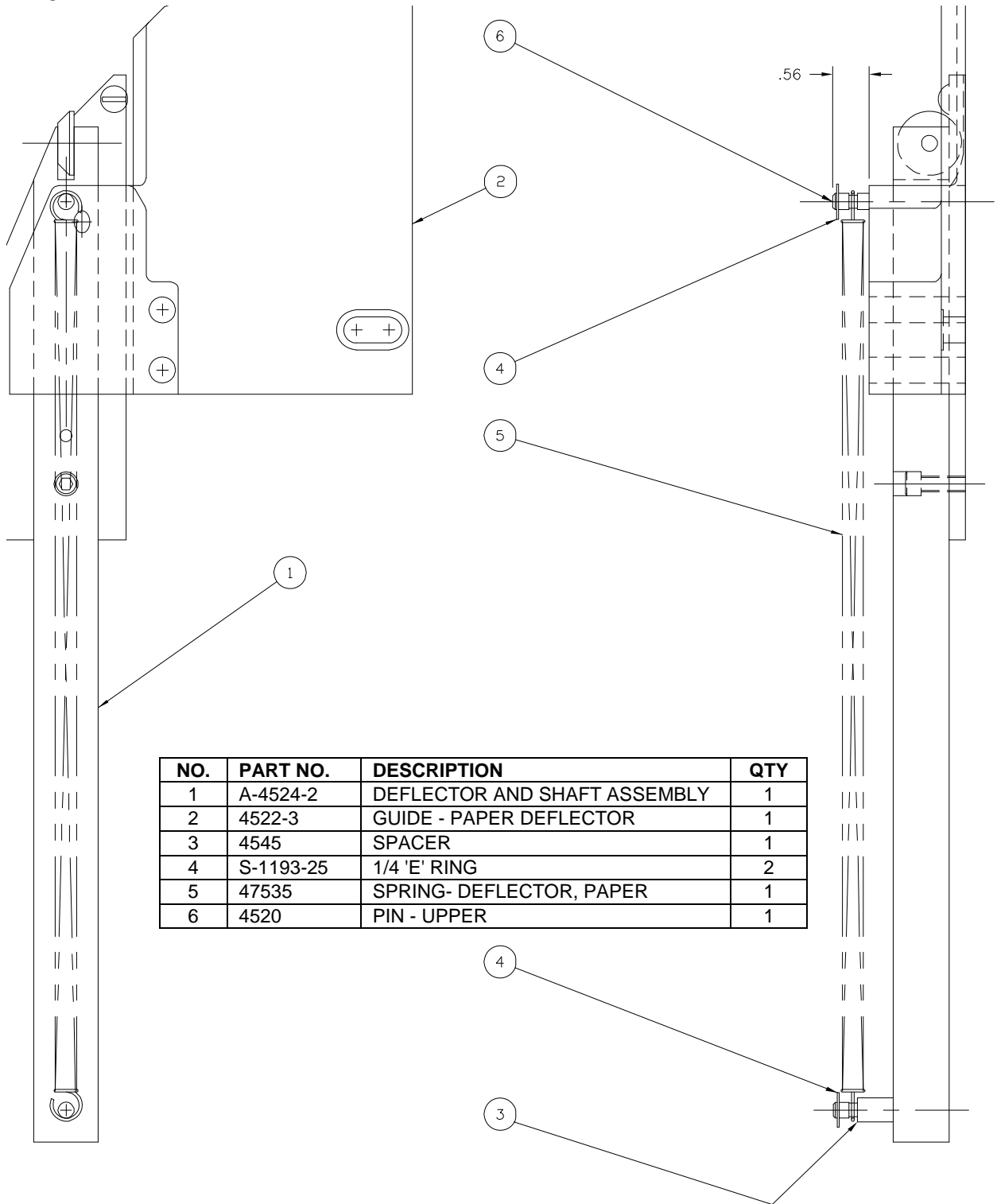
AA-13936-1, Rev. A

Kit includes the following parts:

NO.	PART NO.	DESCRIPTION	QTY
1	A-4511-2	DEFLECTOR ASSEMBLY	1
2	H-6918-616	3/8-16 X 2 SOCKET HEAD CAP SCREW	2
3	H-6918-606	3/8-16 X 3/4 SOCKET HEAD CAP SCREW	1
4	A-4497	LOCK STUD ASSEMBLY	1
5	H-7324-12	3/8 INT. TOOTH LOCKWASHER	3
6	B-2152	BOX	1
7	5-6-27B	STOP- CUT STICK, LH	1
8	H-6909-83203	SCREW- #8-32 X 3/8 FLAT HEAD	1

15.32.1 Deflector & Shaft Assembly (Part of Paper Deflector Kit)

A-4511-2



NO.	PART NO.	DESCRIPTION	QTY
1	A-4524-2	DEFLECTOR AND SHAFT ASSEMBLY	1
2	4522-3	GUIDE - PAPER DEFLECTOR	1
3	4545	SPACER	1
4	S-1193-25	1/4 'E' RING	2
5	47535	SPRING- DEFLECTOR, PAPER	1
6	4520	PIN - UPPER	1