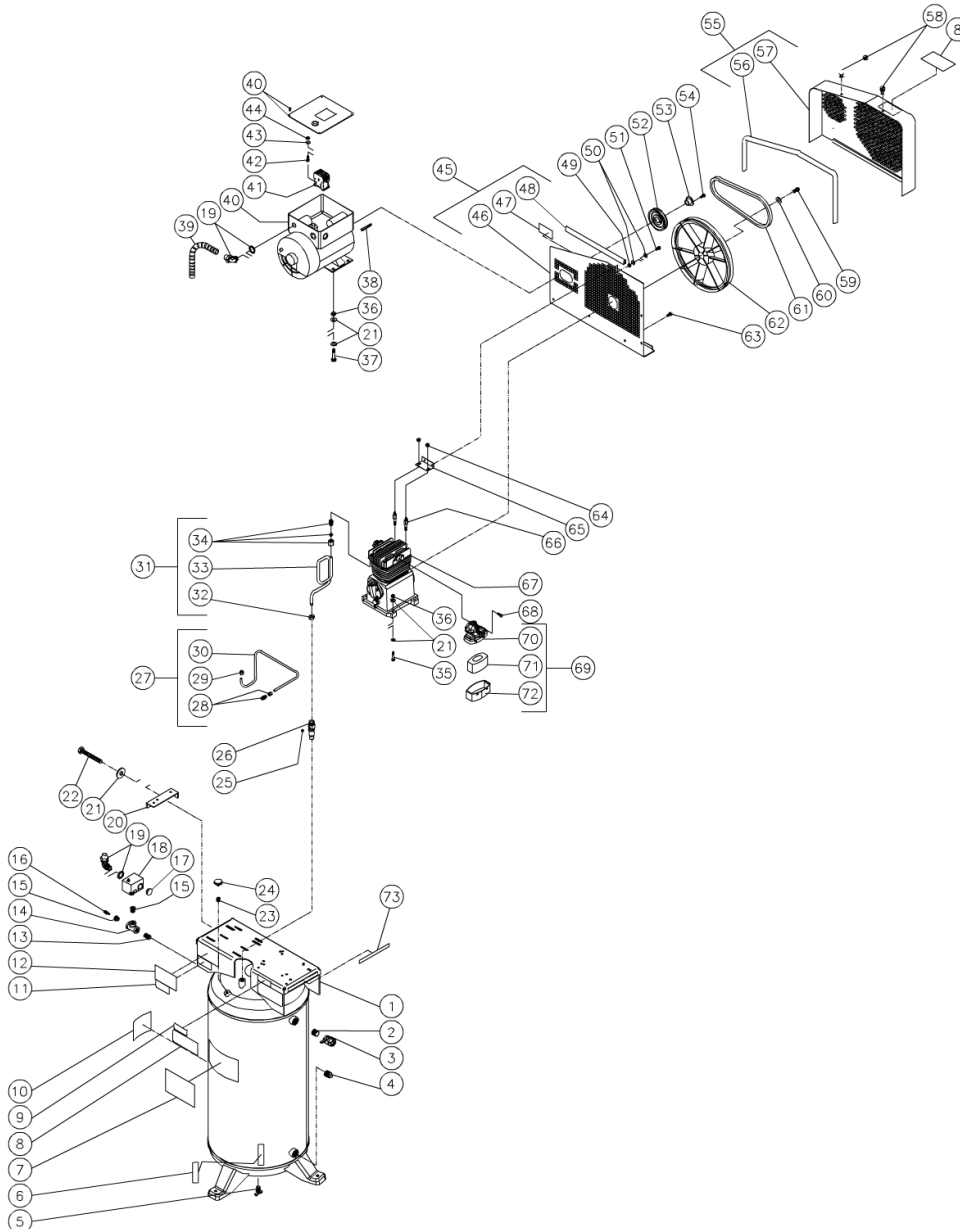




AC1-SE05-60M / AC1-SE05-60M (sn:0-99999999)

TANK ASSEMBLY



Id	Item #	Description	Quantity	Rev	Comments
1	12-0085A01	AIR TANK ASSEMBLY	1		
2	24-0200	NIPPLE	1		
3	22-0287	BALL VALVE	1		
4	24-0219	PLUG	1		

Id	Item #	Description	Quantity	Rev	Comments
5	23-0312	DRAIN VALVE	1		
6	34-0815	DECAL- TANK DRAIN	3		
7	34-0814	DECAL- MI-T-M AIR COMPRESSOR	1		
8	34-0840	DECAL- OPERATING INSTRUCTIONS	2		
9	34-0823	DECAL- WARNING: HOT SURFACE	1		
10	34-0819	DECAL- DANGER/WARNING/CAUTION	1		
11	N/A	DECAL- DATA PLATE	1		
12	34-0817	DECAL- MAINTENANCE INSTRUCTIONS	1		
13	24-0174	NIPPLE	1		
14	24-0178	TEE	1		
15	23-0056	BUSHING	2		
16	22-0228	SAFETY RELIEF VALVE	1		
17	39-0014	PRESSURE SWITCH PLUG	1		
18	22-0232	PRESSURE SWITCH	1		
19	32-0254	CONDUIT ELBOW	2		
20	20-0461A01	BELT TENSIONER PLATE	1		
21	28-0023	WASHER	17		
22	27-0576	BOLT	1		
23	23-0111	BUSHING	1		
24	22-0257	PRESSURE GUAGE	1		
25	24-0082	PLUG	1		
26	22-0268	CHECK VALVE	1		
27	854-0042	TUBE ASSEMBLY (INCLUDES 28-30)	1		
28	23-0328	ADAPTER	1		
29	23-0315	COMPRESSION NUT	1		
30	54-0034	TUBE *(THREE FEET REQUIRED)	1		
31	854-0041	TUBE ASSEMBLY (INCLUDES 32-34)	1		
32	23-0347	COMPRESSION NUT	1		
33	54-0036	TUBE *(THREE FEET REQUIRED)	1		
34	23-0357	FITTING	1		
35	27-0121	BOLT	4		
36	30-0159	NUT	8		
37	27-0118	BOLT	4		
38	43-0078	KEY	1		
39	32-0253	CONDUIT FLEX *(TWO FEET REQUIRED)	1		
40	2-0101	MOTOR- 5.0 H.P.	1		
41	32-0563	CONTACTOR	1		
42	27-9526	BOLT	2		
43	28-1009	WASHER	2		

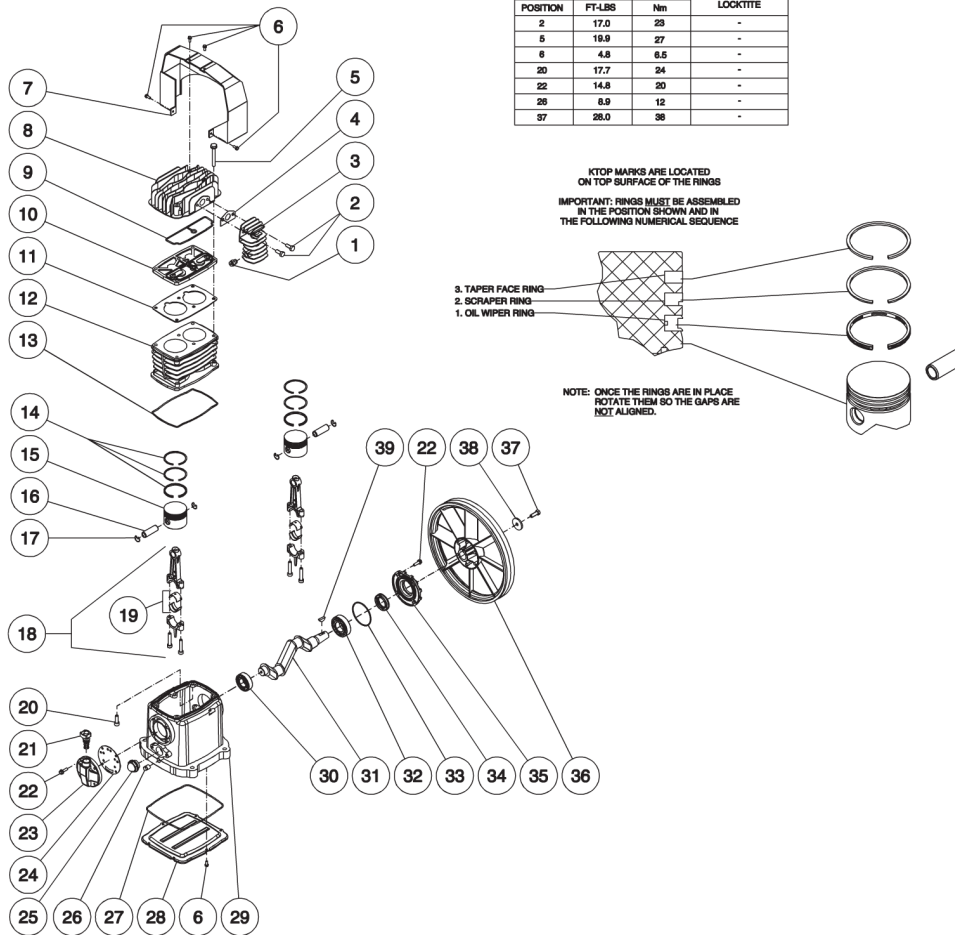
Id	Item #	Description	Quantity	Rev	Comments
44	30-6001	NUT	2		
45	854-0039	BELTGUARD BACK ASSEMBLY (INC. 46-48)	1		
46	N/A Sep.	BELTGUARD BACK (SEE 854-0039)	1		
47	34-0575	DECAL- WARNING: BELTGUARD IN PLACE	1		
48	33-0020	EDGING *(THREE FEET REQUIRED)	1		
49	30-0157	LOCKNUT	2		
50	28-0003	WASHER	4		
51	27-0066	BOLT	2		
52	10-0105	DRIVE PULLEY	1		
53	9-0010	BUSHING	1		
54	N/A	BOLT	3		
55	854-0026	BELTGUARD ASSEMBLY (INCLUDES 56, 57)	1		
56	33-0020	EDGING *(FIVE FEET REQUIRED)	1		
57	N/A Sep.	BELTGUARD COVER (SEE 854-0026)	1		
58	33-0197	FASTENER	2		
59	27-8433	BOLT W/COMPRESSOR	1		
60	28-1032	FLATWASHER W/COMPRESSOR	1		
61	11-0046	DRIVE BELT	1		
62	10-0100	FLYWHEEL W/COMPRESSOR	1		
63	27-9524	BOLT	3		
64	30-3023	FLANGE NUT	2		
65	20-0510A01	BELTGUARD BRACKET	1		
66	27-8920	STUD BOLT	2		
67	3-0175	COMPRESSOR	1		
68	N/A Sep.	BOLT (SEE 3-0175)	2		
69	19-0111	AIR FILTER ASSEMBLY W/COMPRESSOR (INC. 76-78)	1		
70	N/A Sep.	FILTER HOUSING W/COMPRESSOR (SEE 19-0011)	1		
71	19-0087	AIR FILTER ELEMENT W/COMPRESSOR	2		
72	N/A Sep.	FILTER HOUSING W/COMPRESSOR (SEE 19-0011)	1		
73	34-0816	DECAL- CHECK OIL TAPE	1		

*MUST ORDER IN ONE FOOT LENGTHS



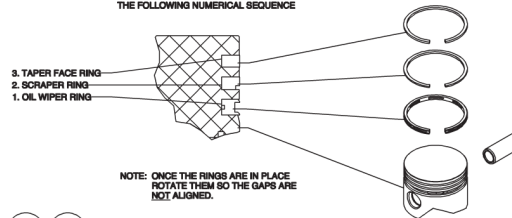
AC1-SE05-60M / AC1-SE05-60M (sn:0-99999999)

PUMP



TORQUE SPECIFICATIONS			REQUIRED LOCKTITE
POSITION	FT-LBS	Nm	
2	17.0	23	-
5	19.9	27	-
6	4.8	6.5	-
20	17.7	24	-
22	14.8	20	-
26	8.9	12	-
37	28.0	38	-

KTOP MARKS ARE LOCATED
ON TOP SURFACE OF THE RINGS
IMPORTANT: RINGS MUST BE ASSEMBLED
IN THE POSITION SHOWN AND IN
THE FOLLOWING NUMERICAL SEQUENCE



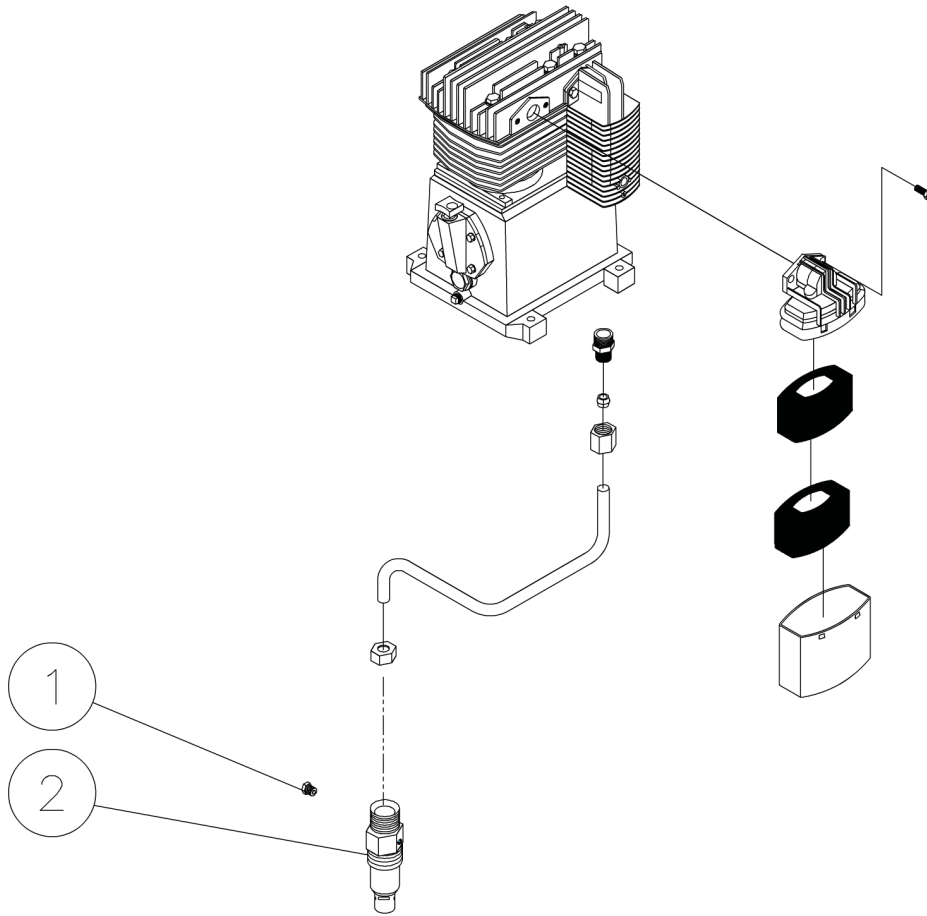
Id	Item #	Description	Quantity	Rev	Comments
1	22-0253	EASY START VALVE	1		
2	27-8032	SCREW	2		
3	46-1171	AFTER COOLER	1		
4	N/A Sep.	AFTER COOLER GASKET (SEE 70-0393)	1		
5	27-9577	SCREW	6		
6	27-9575	SCREW	10		
7	46-1197	AIR SHROUD	1		
8	46-1172	HEAD	1		
9	N/A Sep.	HEAD GASKET (SEE 70-0393)	1		
10	22-0388	HOLDER PLATE VALVE	1		

Id	Item #	Description	Quantity	Rev	Comments
11	N/A Sep.	CYLINDER GASKET (SEE 70-0393)	1		
12	46-1170	CYLINDER	1		
13	N/A Sep.	CRANKCASE GASKET (SEE 70-0393)	1		
14	70-0392	RING SET - 65 MM	2		
14	70-0268	RING SET - 65.4 MM	2		
15	N/A	PISTON	2		
16	N/A	WRIST PIN	2		
17	N/A	SNAP RING	2		
18	N/A	CONNECTING ROD	2		
19	N/A	CONNECTING ROD BEARING	2		
20	27-8194	SCREW	4		
21	46-0818	CRANKCASE FILL PLUG W/ O-RING	1		
22	27-8002	BOLT	8		
23	46-0819	OIL FILL END CAP	1		
24	N/A Sep.	OIL FILL END CAP GASKET (SEE 70-0393)	1		
25	46-0820	SIGHT GLASS	1		
26	39-0106	OIL DRAIN PLUG	1		
27	N/A Sep.	OIL PAN O-RING (SEE 70-0393)	1		
28	N/A	OIL PAN	1		
29	N/A	CRANKCASE	1		
30	48-0060	BALL BEARING	1		
31	N/A	PISTON CRANKSHAFT	1		
32	48-0024	BALL BEARING	1		
33	N/A Sep.	END CAP GASKET (SEE 70-0393)	1		
34	26-0208	CRANKSHAFT SEAL	1		
35	46-1169	FRONT END CAP	1		
36	10-0131	FLYWHEEL	1		
37	27-8033	BOLT	1		
38	28-1032	WASHER	1		
39	43-0102	WOODRUFF KEY	1		
KIT	70-0393	GASKET KIT (INC. 4, 9, 11, 13, 24, 27, 33)			



AC1-SE05-60M / AC1-SE05-60M (sn:0-99999999)

DUEL CONTROL OPTION

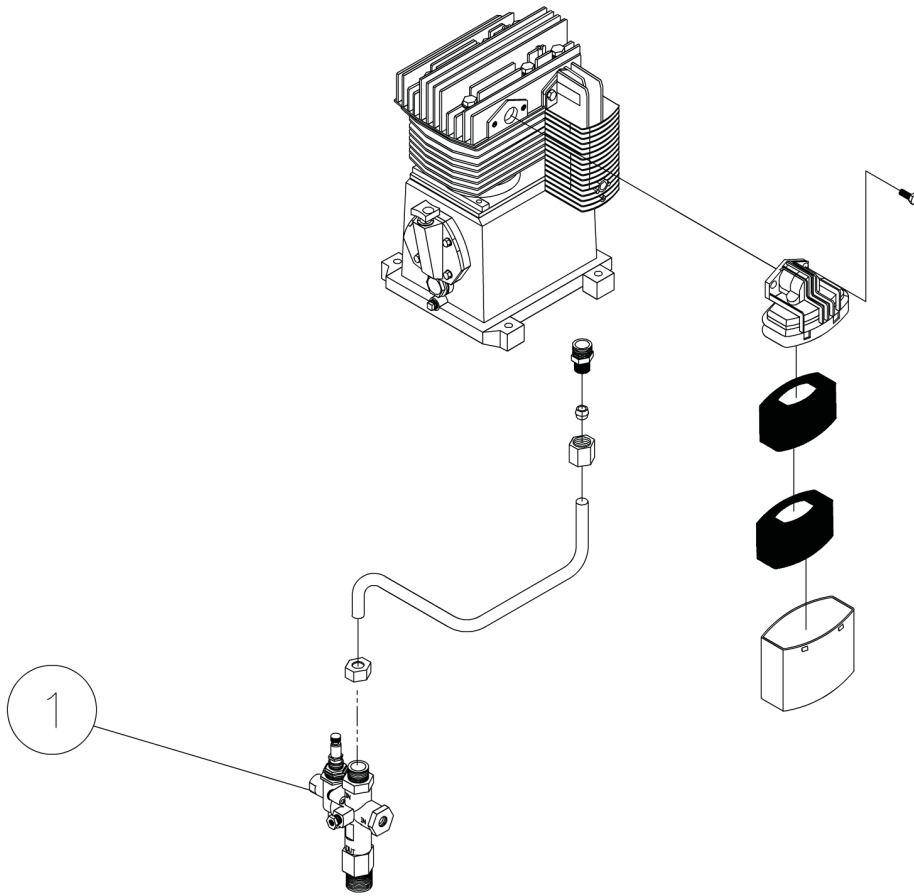


Id	Item #	Description	Quantity	Rev	Comments
1	24-0082	PLUG	1		
2	22-0268	CHECK VALVE	1		



AC1-SE05-60M / AC1-SE05-60M (sn:0-99999999)

DUEL CONTROL OPTION



Id	Item #	Description	Quantity	Rev	Comments
1	22-0300	PILOT VALVE	1		

Id	Item #	Description	Quantity	Rev	Comments
6	N/A	SPRING SEAT-UNLOADER VALVE	1		
7	N/A	CAP	1		
8	N/A	DISCHARGE PORT FITTING	1		
9	N/A	SPRING SEAT ASSEMBLY	1		
10	N/A Sep.	SPRING-CHECK VALVE (SEE 70-0221)	1		
11	N/A Sep.	PISTON-CHECK VALVE (SEE 70-0221)	1		
12	N/A	MUFFLER	1		
13	N/A Sep.	STEM UNLOADER (SEE 70-0221)	1		
14	N/A Sep.	DIAPHRAM (SEE 70-0221)	1		
15	N/A Sep.	O-RING (SEE 70-0221)	1		
16	N/A Sep.	SCREEN (SEE 70-0221)	1		
17	N/A	SCREW W/WASHER	4		
18	N/A	PIPE PLUG	1		
19	N/A	PILOT BODY	1		
20	N/A Sep.	BALL (SEE 70-0221)	1		
21	N/A Sep.	O-RING (SEE 70-0221)	1		
22	N/A	DIFFERENTIAL ADJUSTING LOCKNUT	1		
23	N/A	DIFFERENTIAL ADJUSTING NUT	1		
24	N/A Sep.	STEM (SEE 70-0221)	1		
25	N/A Sep.	PILOT SPRING (SEE 70-0221)	1		
26	N/A	PRESSURE ADJUSTING LOCKNUT	1		
27	N/A	PRESSURE ADJUSTING SCREW ASSEMBLY	1		
KIT	70-0221	REPAIR KIT (INCLUDES 2, 4-5, 10-11, 13-16, 20-21, 24-25, AND 3 EACH 2)			