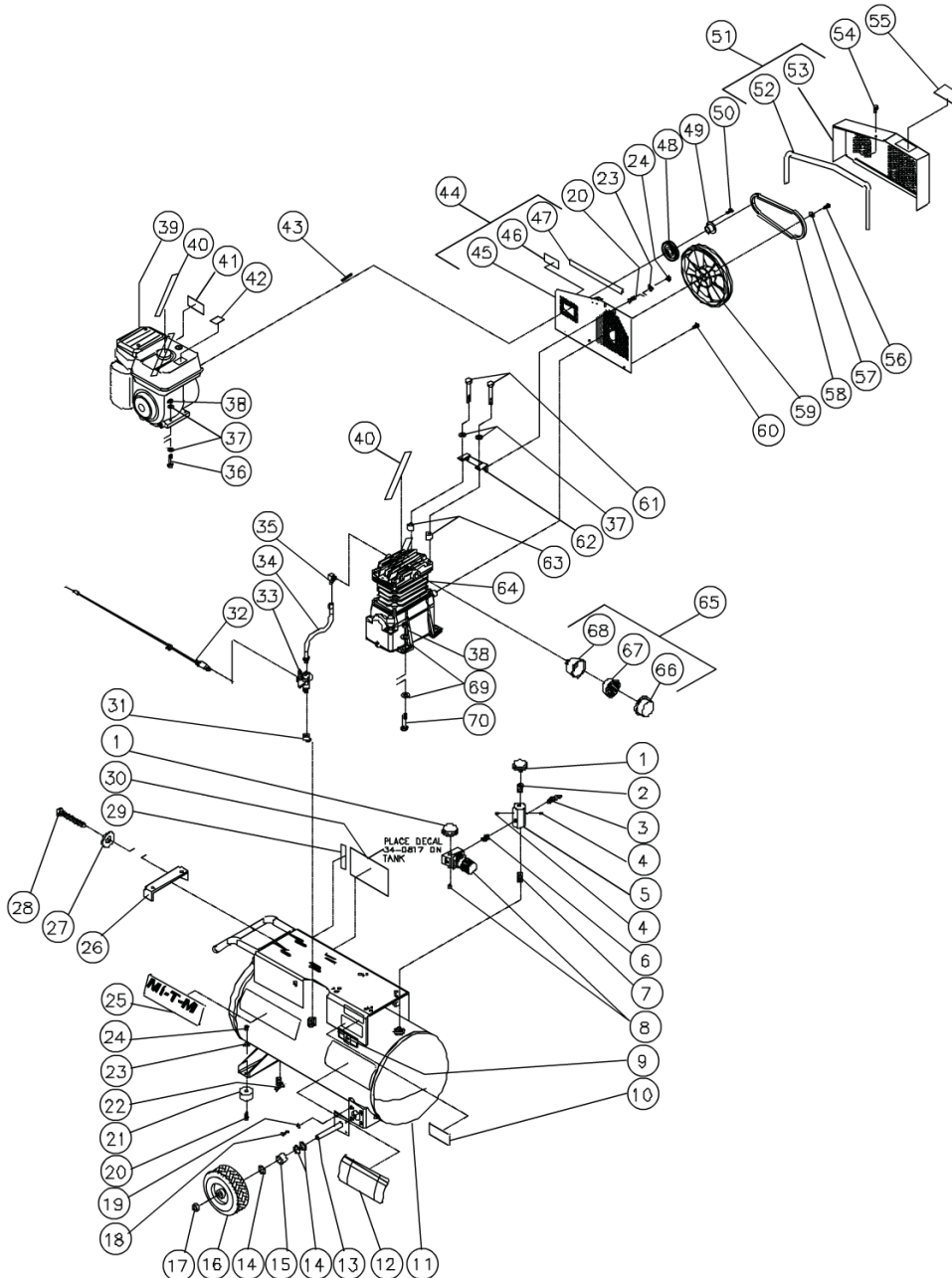




AC1-PV06-20M / AC1-PV06-20M (sn:20005189-99999999)

## TANK ASSEMBLY



Id	Item #	Description	Quantity	Rev	Comments
1	22-0257	PRESSURE GUAGE	2		
2	23-0111	BUSHING	1		
3	22-0228	SAFETY RELIEF VALVE	1		

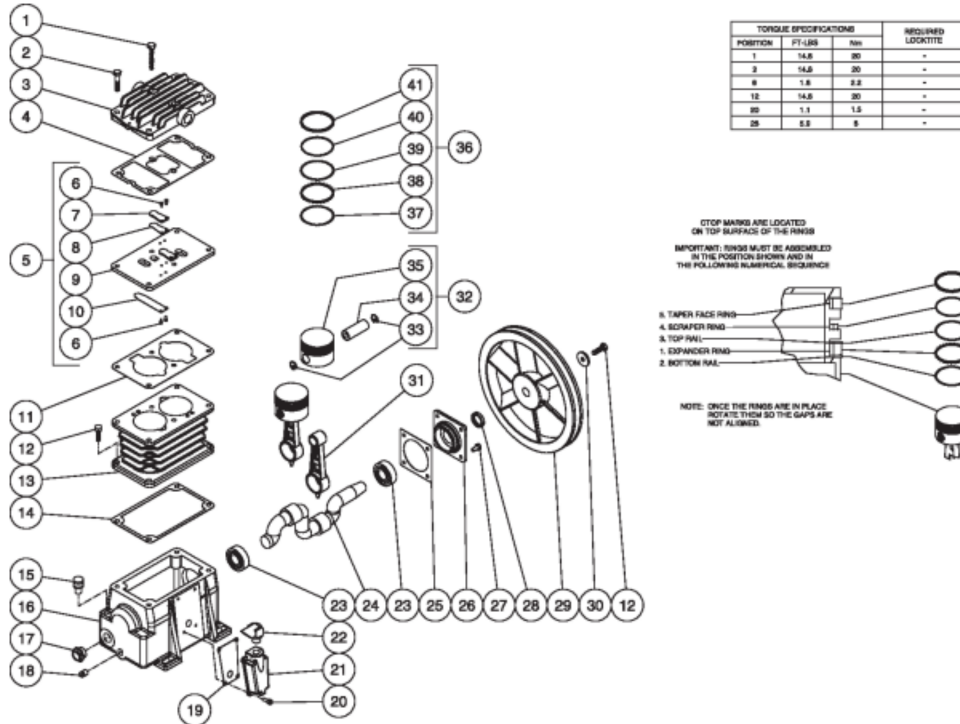
Id	Item #	Description	Quantity	Rev	Comments
4	24-0082	PLUG	2		
5	24-0264	MANIFOLD	1		
6	24-0010	NIPPLE	1		
7	24-0174	CLOSE NIPPLE	1		
8	22-0231	ADJUSTABLE REGULATOR	1		
9	N/A Sep.	DECAL- WARNING: HOT SURFACE (SEE 34-9016)	1		
10	N/A	DECAL- DATA PLATE	1		
11	N/A	AIR TANK ASSEMBLY	1		
12	N/A Sep.	DECAL- DANGER/WARNING/CAUTION (SEE 34-9016)	1		
13	20-0670A01	AXLE STUB	2		
14	28-0008	WASHER	6		
15	20-0313A01	AXLE SPACER	2		
16	14-0017	WHEEL	2		
17	33-0351	SHAFT COLLAR	2		
18	27-0067	BOLT	8		
19	29-0007	LOCKWASHER	8		
20	27-0015	BOLT	4		
21	14-0069	ISOLATOR	2		
22	23-0312	DRAIN VALVE	1		
23	28-0002	WASHER	4		
24	30-0155	LOCKNUT	4		
25	34-0828	DECAL- MI-T-M AIR COMPRESSOR	2		
26	20-0614A01	BELT TENSIONER PLATE	1		
27	28-0023	WASHER	1		
28	27-0576	BOLT	1		
29	N/A Sep.	DECAL- TANK DRAIN (SEE 34-9016)	2		
30	N/A Sep.	DECAL- MAINTENANCE INSTRUCTIONS (SEE 34-9016)	1		
31	24-0041	FITTING	1		
32	33-0263	THROTTLE CONTROL ADAPATER	1		
33	22-0346	PILOT VALVE	1		
34	15-0235	HOSE	1		
35	23-0426	FITTING	1		
36	27-0070	BOLT	4		
37	28-0003	WASHER	10		
38	30-0157	LOCKNUT	8		
39	1-0069	ENGINE- 6.0 HP VANGUARD	1		
40	N/A Sep.	DECAL- CHECK OIL TAPE (SEE 34-9016)	2		
41	N/A Sep.	DECAL- WARNING: MUFFLER HOT (SEE 34-9016)	1		
42	N/A Sep.	DECAL- CAUTION: ALLOW TO COOL (SEE 34-9016)	1		

Id	Item #	Description	Quantity	Rev	Comments
43	43-0073	KEY	1		
44	854-0007	BELTGUARD BACK ASSEMBLY (INC. 45-47)	1		
45	N/A Sep.	BELTGUARD BACK (SEE 854-0007)	1		
46	N/A Sep.	DECAL- WARNING: BELTGUARD IN PLACE (SEE 34-9016)	1		
47	33-0020	EDGING *(TWO FEET REQUIRED)	1		
48	10-0101	DRIVE PULLEY	1		
49	9-0009	BUSHING	1		
50	27-0016	BOLT	2		
51	854-0009	BELTGUARD COVER ASSEMBLY (INC. 52-53)	1		
52	33-0020	EDGING *(FOUR FEET REQUIRED)	1		
53	N/A Sep.	BELTGUARD COVER (SEE 854-0009)	1		
54	33-0197	FASTENER	1		
55	N/A Sep.	DECAL- OPERATING INSTRUCTIONS (SEE 34-9016)	1		
56	27-0067	BOLT	1		
57	N/A	FLATWASHER W/FLYWHEEL	1		
58	11-0011	DRIVE BELT	1		
59	10-0115	FLYWHEEL W/COMPRESSOR	1		
60	27-9524	BOLT	3		
61	27-0072	BOLT	2		
62	20-0574A01	BELTGUARD BRACKET	1		
63	33-0358	SPACER	2		
64	3-0215	COMPRESSOR	1		
65	19-0083	AIR FILTER ASSEMBLY (INC. 66-68)	1		
66	19-0084	AIR FILTER COVER	1		
67	19-0082	AIR FILTER REPLACEMENT ELEMENT	1		
68	N/A Sep.	AIR FILTER BACK COVER (SEE 19-0083)	1		
69	28-0022	WASHER	8		
70	27-0068	BOLT	4		
	34-9016	SAFETY DECAL KIT (INC. 9, 12, 29-30, 40-42, 46, 55)			
		*MUST ORDER IN ONE FOOT LENGTHS			



AC1-PV06-20M / AC1-PV06-20M (sn:20005189-99999999)

## PUMP



Id	Item #	Description	Quantity	Rev	Comments
1	27-0071	SCREW	2		
2	27-0069	SCREW	4		
3	46-1199	CYLINDER HEAD	1		
4	N/A Sep.	HEAD GASKET (SEE 70-0326)	1		
5	46-0952	VALVE PLATE ASSEMBLY (INC. 6-10)	2		
6	N/A Sep.	VALVE SCREW (SEE 70-0327)	8		
7	N/A Sep.	VALVE STOP (SEE 70-0327)	2		
8	N/A Sep.	OUTLET REED VALVE (SEE 70-0327)	2		
9	N/A	VALVE PLATE	1		
10	N/A Sep.	INLET REED VALVE (SEE 70-0327)	2		
11	N/A Sep.	CYLINDER VALVE PLATE GASKET (SEE 70-0326)	1		
12	27-0067	SCREW	5		
13	46-0953	CYLINDER	1		
14	N/A Sep.	CYLINDER TO CRANKCASE GASKET (SEE 70-0326)	1		

<b>Id</b>	<b>Item #</b>	<b>Description</b>	<b>Quantity</b>	<b>Rev</b>	<b>Comments</b>
15	46-1144	OIL FILL PLUG	1		
16	46-1194	CRANKCASE	1		
17	46-1145	OIL SIGHT GLASS	1		
18	24-0082	PLUG	1		
19	26-0292	GASKET	1		
20	27-8885	BOLT	4		
21	46-1195	COVER	1		
22	46-1196	ELBOW	1		
23	48-0016	BEAR BALL	2		
24	46-0955	CRANKSHAFT	1		
25	N/A Sep.	FLANGE GASKET (SEE 70-0326)	1		
26	46-0957	FLANGE	1		
27	27-0014	SCREW	4		
28	26-0246	SHAFT OIL SEAL	1		
29	10-0115	FLYWHEEL	1		
30	N/A Sep.	WASHER W/CRANKSHAFT (SEE 46-0955)	1		
31	46-0958	CONNECTING ROD	2		
32	70-0329	PISTON KIT (INC. 33-35)	2		
33	N/A Sep.	SNAP RING (SEE 70-0329)	4		
34	N/A Sep.	WRIST PIN (SEE 70-0329)	2		
35	N/A Sep.	PISTON (SEE 70-0329)	2		
36	70-0328	PISTON SEALS KIT (INC. 37-41)	2		
37	N/A Sep.	BOTTOM RAIL (SEE 70-0328)	2		
38	N/A Sep.	EXPANDER RING (SEE 70-0328)	2		
39	N/A Sep.	TOP RAIL (SEE 70-0328)	2		
40	N/A Sep.	SCRAPER PISTON RING (SEE 70-0328)	2		
41	N/A Sep.	TAPER FACE PISTON RING (SEE 70-0328)	2		
KIT	70-0326	GASKET KIT (INC. 4, 11, 14, 25)			
KIT	70-0327	VALVE PLATE KIT (INC. 6-8, 10)			
KIT	70-0328	PISTON SEALS KIT (INC. 37-41)			
KIT	70-0329	PISTON KIT (INC. 33-35)			