

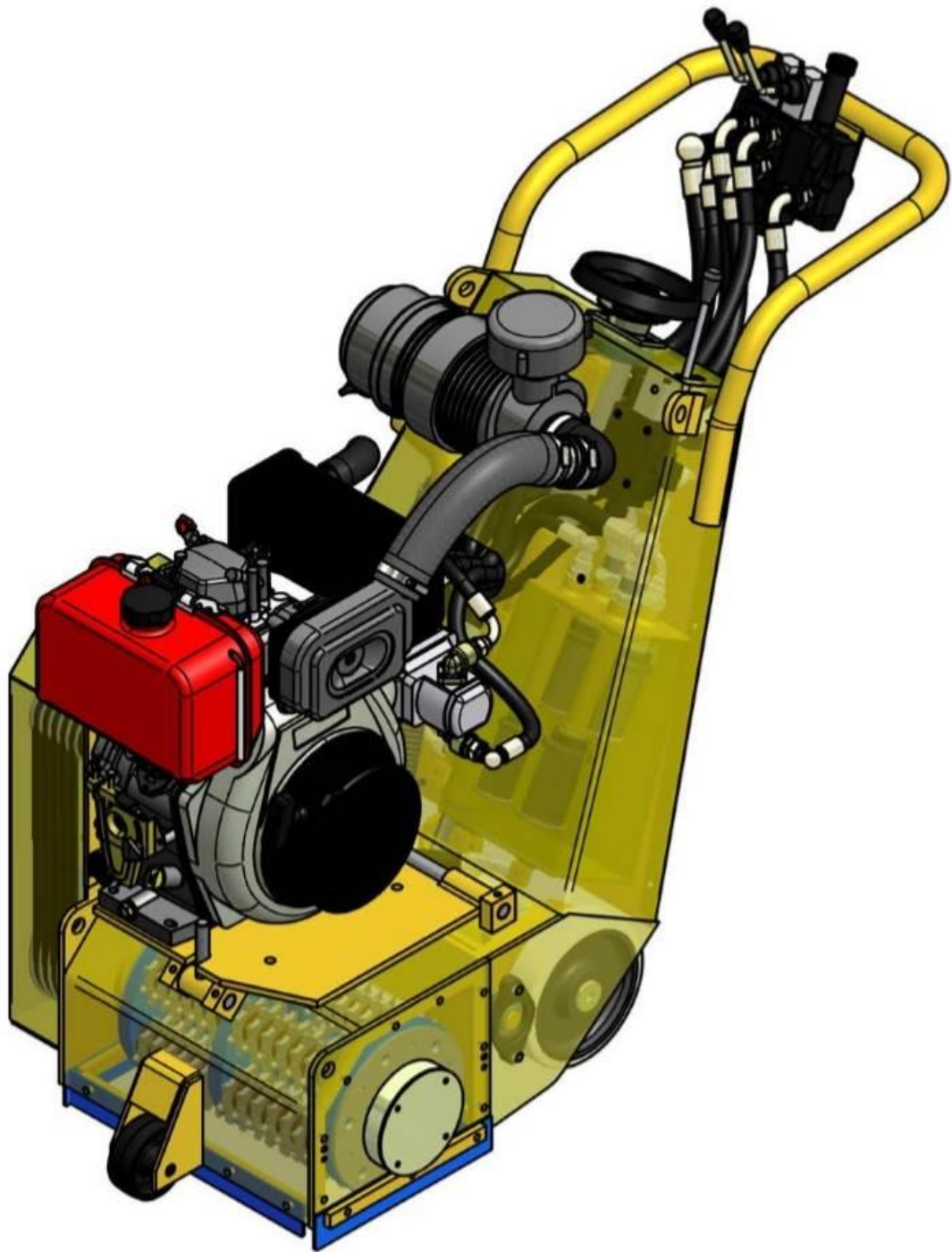


BEF320-3A
Operating Manual






BEF320-3A

Operating Manual



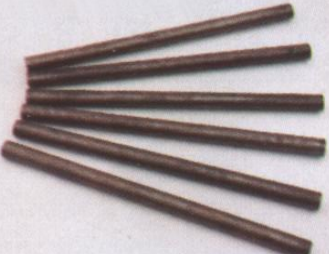
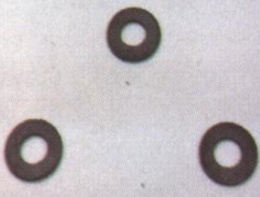





ACCESSORIES

	Part number	Description	Application
	32001	Heavy duty drum complete with T.C.T. cutters and spacers.	Hardened steel cutter with tungsten inserts, for all concrete texturing, scabbling, planing and grooving applications. Removal of bridge deck and car park membranes, heavy industrial contamination, epoxy coatings and road markings. Use on heavy applications for longer life and higher output.
	32002	Heavy duty drum complete with beam flails	Heat treated steel cutter for the removal of paint coatings and laitence from new floors. Also used for removing of grease build ups, dirt and ice deposits, keying and light scabbling of concrete when a "fine textured" surface is required.
	32003	Heavy duty drum complete with milling cutters and spacers.	For the removal of thermoplastic road/runway markings. Very efficient and cost effective with none of the problems associated with burning off thermoplastics. Also for removal of bituminous materials and rubber deposits.
	80800	T.C.T. Cutter: 8 point hardened steel cutter with tungsten carbide insert.	For all concrete texturing scabbling, planing and grooving applications. Removal of bridge deck and car park membranes, heavy industrial contamination, epoxy coatings and road markings. Use on heavy applications for longer life and higher output.
	80120	Beam cutter: Heat treated steel cutter.	For the removal of paint coatings and laitence from new floors. Also used for the removing of grease build ups, dirt and ice deposits, keying and light scabbling of concrete when a "fine textured" surface is required.

ACCESSORIES

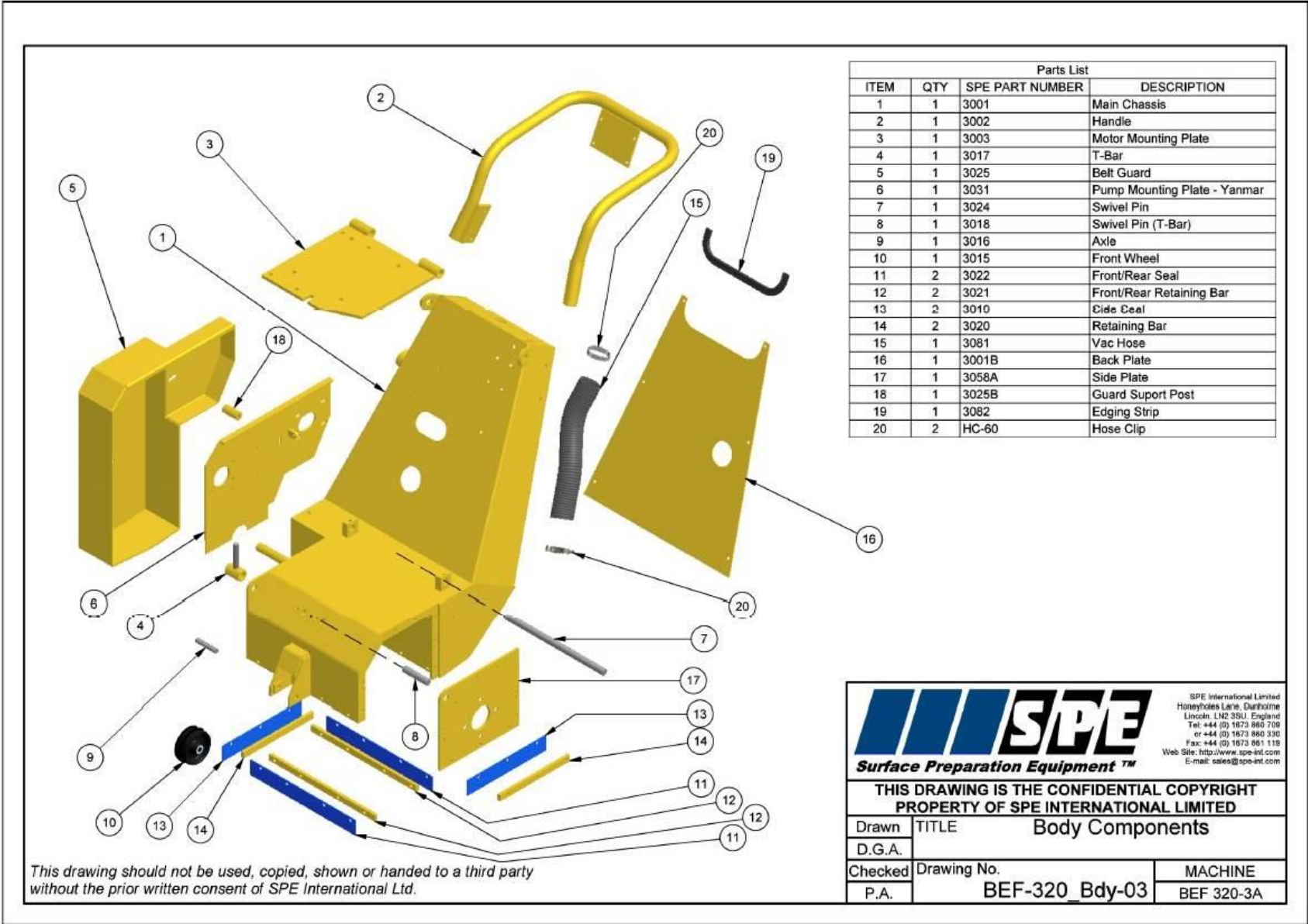
	<p>20mm 80600N</p>	<p>Milling cutter: Tipped with tungsten carbide.</p>	<p>For the removal of thermoplastic road/runway markings, rubber based deposits and cold plastic coatings from asphalt and concrete.</p>
	<p>32000</p>	<p>Heavy duty drum complete with flail shafts.</p>	<p>For use with various cutter configurations.</p>
	<p>32020</p>	<p>Heavy duty flail shaft.</p>	<p>Hardened cutter shaft.</p>
	<p>40240</p>	<p>Spacing washer.</p>	<p>Hardened spacing washer.</p>
	<p>3049</p>	<p>Hardened Bush.</p>	<p>Hardened drum inserts to carry flail shafts.</p>



BEF320-3A
Operating Manual

Spare Parts Breakdown

BEF320-3A
Operating Manual

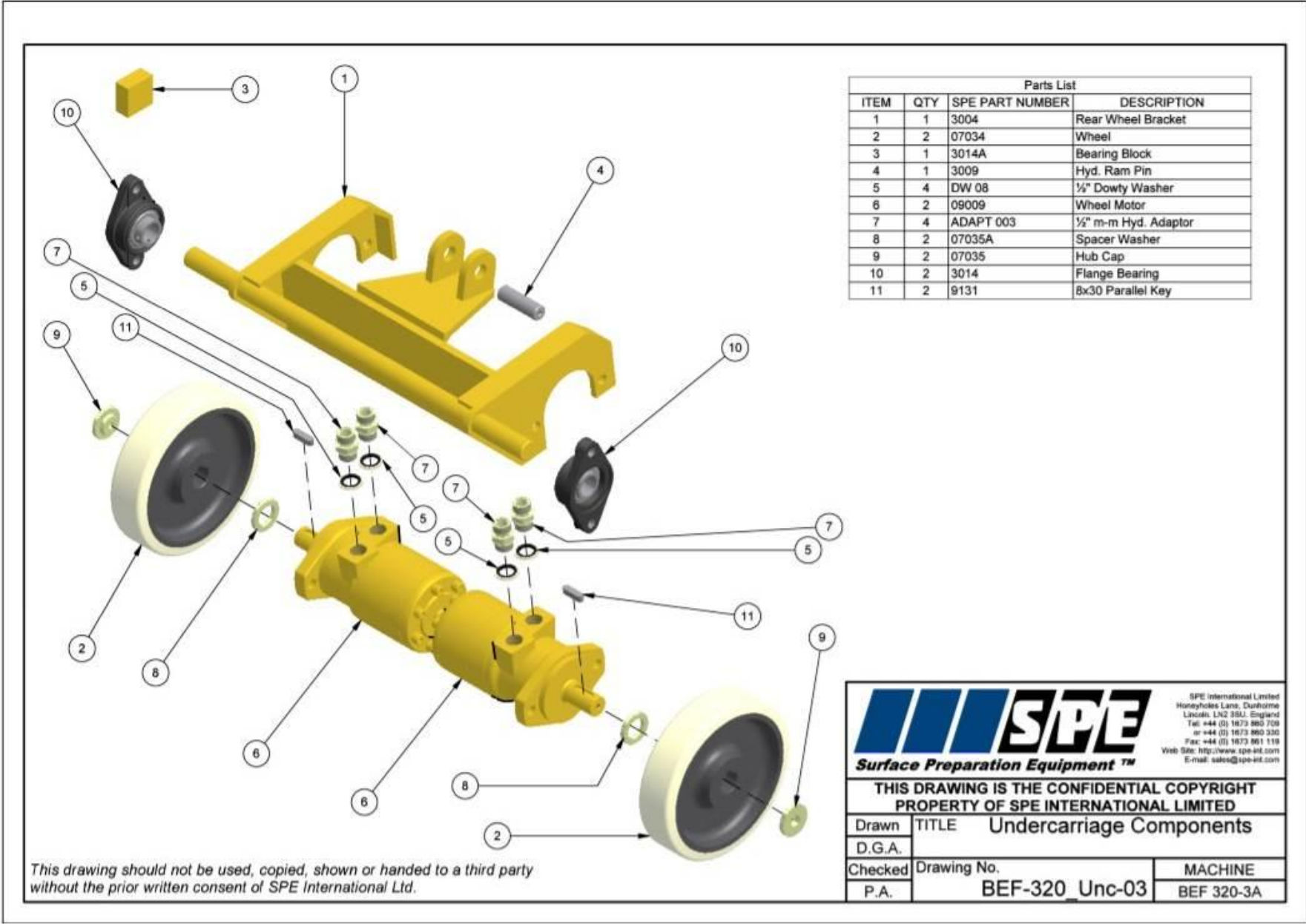


Parts List			
ITEM	QTY	SPE PART NUMBER	DESCRIPTION
1	1	3001	Main Chassis
2	1	3002	Handle
3	1	3003	Motor Mounting Plate
4	1	3017	T-Bar
5	1	3025	Belt Guard
6	1	3031	Pump Mounting Plate - Yanmar
7	1	3024	Swivel Pin
8	1	3018	Swivel Pin (T-Bar)
9	1	3016	Axle
10	1	3015	Front Wheel
11	2	3022	Front/Rear Seal
12	2	3021	Front/Rear Retaining Bar
13	2	3010	Side Seal
14	2	3020	Retaining Bar
15	1	3081	Vac Hose
16	1	3001B	Back Plate
17	1	3058A	Side Plate
18	1	3025B	Guard Support Post
19	1	3082	Edging Strip
20	2	HC-60	Hose Clip

This drawing should not be used, copied, shown or handed to a third party without the prior written consent of SPE International Ltd.

		SPE International Limited Honeychiles Lane, Darlington Lincoln, LN2 3SU, England Tel: +44 (0) 1673 860 700 or +44 (0) 1673 860 330 Fax: +44 (0) 1673 951 119 Web Site: http://www.spe-int.com E-mail: sales@spe-int.com	
		Surface Preparation Equipment™	
THIS DRAWING IS THE CONFIDENTIAL COPYRIGHT PROPERTY OF SPE INTERNATIONAL LIMITED			
Drawn	TITLE	Body Components	
D.G.A.			
Checked	Drawing No.	MACHINE	
P.A.	BEF-320 Bdy-03	BEF 320-3A	

BEF320-3A
Operating Manual



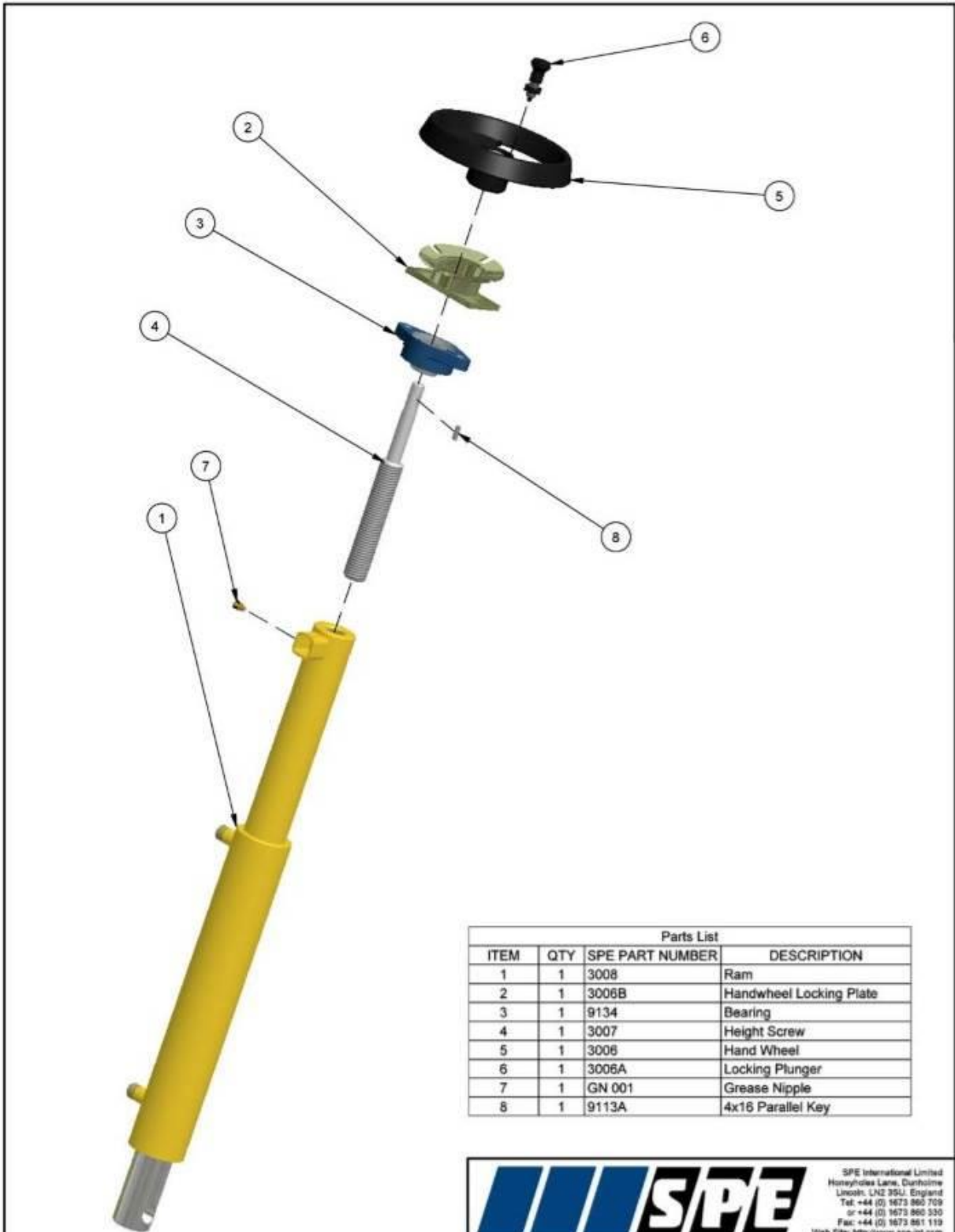
Parts List			
ITEM	QTY	SPE PART NUMBER	DESCRIPTION
1	1	3004	Rear Wheel Bracket
2	2	07034	Wheel
3	1	3014A	Bearing Block
4	1	3009	Hyd. Ram Pin
5	4	DW 08	1/2" Dowty Washer
6	2	09009	Wheel Motor
7	4	ADAPT 003	1/2" m-m Hyd. Adaptor
8	2	07035A	Spacer Washer
9	2	07035	Hub Cap
10	2	3014	Flange Bearing
11	2	9131	8x30 Parallel Key

This drawing should not be used, copied, shown or handed to a third party without the prior written consent of SPE International Ltd.

		SPE International Limited Honeyholes Lane, Dursdale Lincoln, LN2 3BU, England Tel: +44 (0) 1673 860 708 or +44 (0) 1673 860 330 Fax: +44 (0) 1673 961 118 Web Site: http://www.spe-int.com E-mail: sales@spe-int.com	
		THIS DRAWING IS THE CONFIDENTIAL COPYRIGHT PROPERTY OF SPE INTERNATIONAL LIMITED	
Drawn	TITLE	Undercarriage Components	
D.G.A.			
Checked	Drawing No.	MACHINE	
P.A.	BEF-320_Unc-03	BEF 320-3A	



BEF320-3A
Operating Manual



Parts List			
ITEM	QTY	SPE PART NUMBER	DESCRIPTION
1	1	3008	Ram
2	1	3006B	Handwheel Locking Plate
3	1	9134	Bearing
4	1	3007	Height Screw
5	1	3006	Hand Wheel
6	1	3006A	Locking Plunger
7	1	GN 001	Grease Nipple
8	1	9113A	4x16 Parallel Key

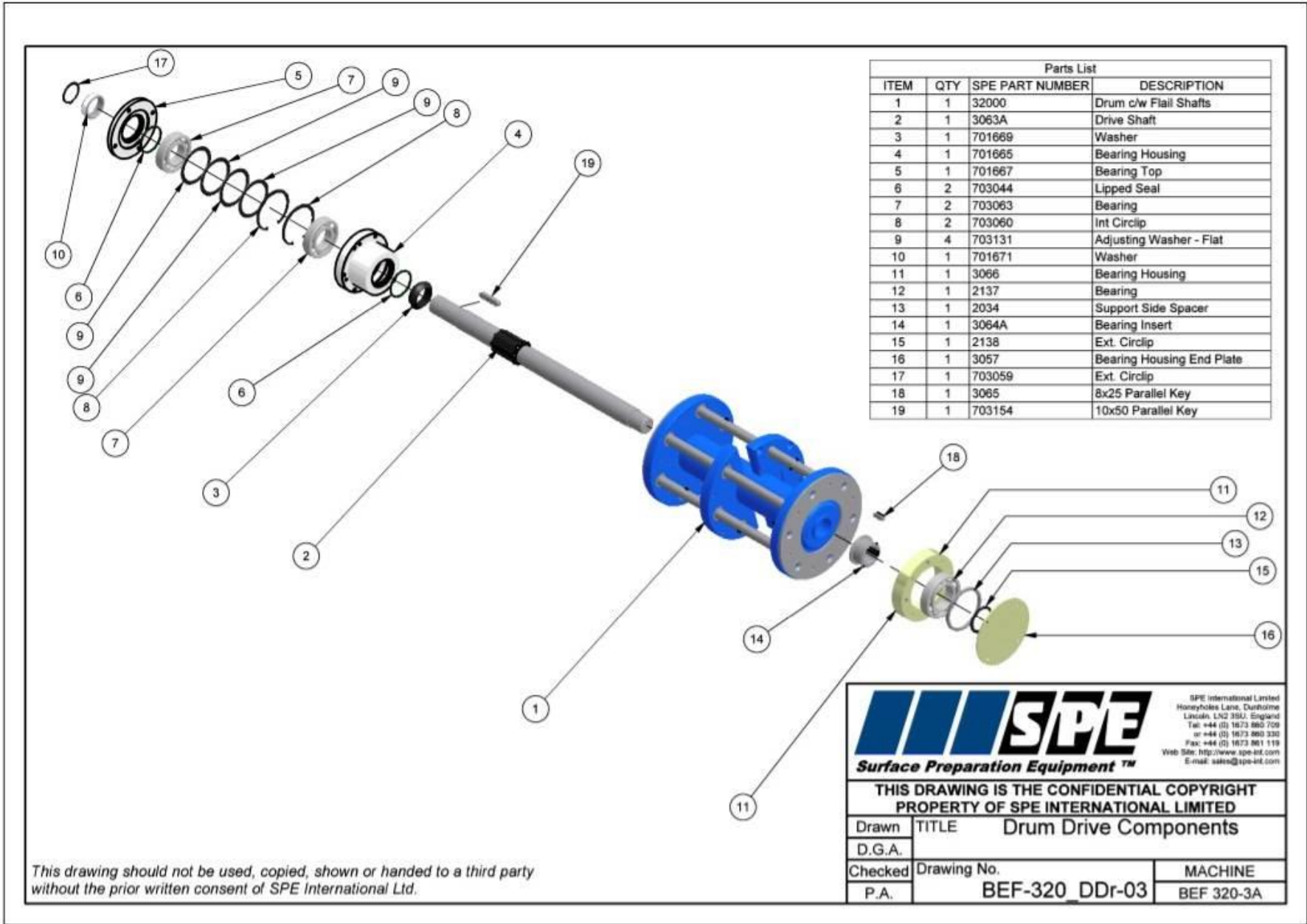


SPE International Limited
Honeyholes Lane, Dunholme
Lincoln LN2 3SU, England
Tel: +44 (0) 1673 860 709
or +44 (0) 1673 860 330
Fax: +44 (0) 1673 861 119
Web Site: <http://www.spe-int.com>
E-mail: sales@spe-int.com

THIS DRAWING IS THE CONFIDENTIAL COPYRIGHT PROPERTY OF SPE INTERNATIONAL LIMITED		
Drawn	TITLE Height Adjuster Components	
D.G.A.		
Checked	Drawing No.	MACHINE
P.A.	BEF-320_HAd-03	BEF 320-3A

This drawing should not be used, copied, shown or handed to a third party without the prior written consent of SPE International Ltd.

BEF320-3A
Operating Manual

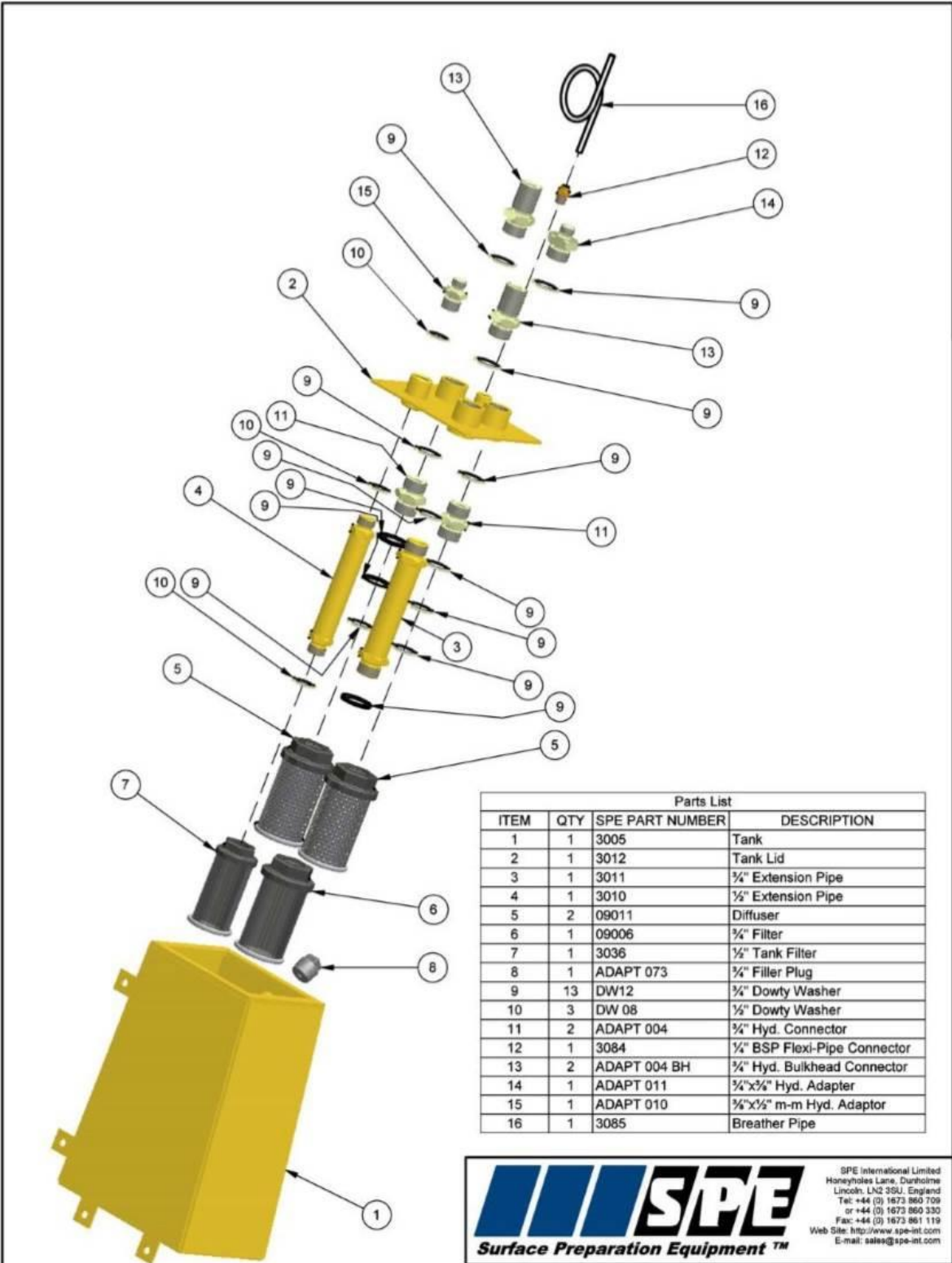


This drawing should not be used, copied, shown or handed to a third party without the prior written consent of SPE International Ltd.

SPE International Limited
Honeyholes Lane, Dursley
Gloucestershire, GL2 3JL, England
Tel: +44 (0) 1673 860 709
or +44 (0) 1673 860 330
Fax: +44 (0) 1673 861 119
Web Site: <http://www.spe-int.com>
E-mail: sales@spe-int.com

THIS DRAWING IS THE CONFIDENTIAL COPYRIGHT PROPERTY OF SPE INTERNATIONAL LIMITED

Drawn	TITLE Drum Drive Components	
D.G.A.		
Checked	Drawing No.	MACHINE
P.A.	BEF-320_DDr-03	BEF 320-3A



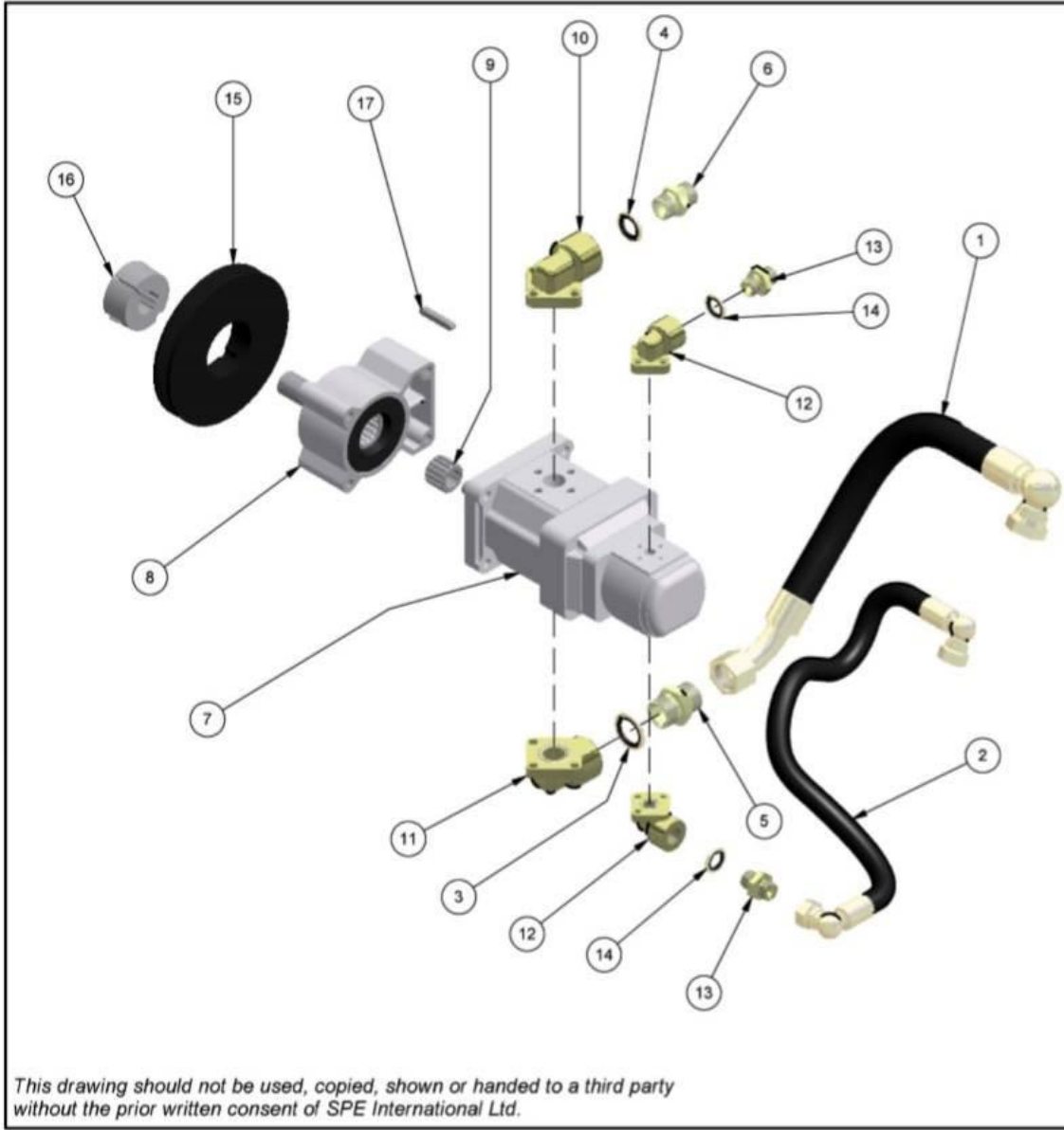
Parts List			
ITEM	QTY	SPE PART NUMBER	DESCRIPTION
1	1	3005	Tank
2	1	3012	Tank Lid
3	1	3011	3/4" Extension Pipe
4	1	3010	1/2" Extension Pipe
5	2	09011	Diffuser
6	1	09006	3/4" Filter
7	1	3036	1/2" Tank Filter
8	1	ADAPT 073	3/4" Filler Plug
9	13	DW12	3/4" Dowty Washer
10	3	DW 08	1/2" Dowty Washer
11	2	ADAPT 004	3/4" Hyd. Connector
12	1	3084	1/4" BSP Flexi-Pipe Connector
13	2	ADAPT 004 BH	3/4" Hyd. Bulkhead Connector
14	1	ADAPT 011	3/4"x3/4" Hyd. Adapter
15	1	ADAPT 010	3/4"x1/2" m-m Hyd. Adaptor
16	1	3085	Breather Pipe

SPE International Limited
Honeyholes Lane, Durnholme
Lincoln LN2 3SU, England
Tel: +44 (0) 1673 860 709
or +44 (0) 1673 860 330
Fax: +44 (0) 1673 861 119
Web Site: <http://www.spe-int.com>
E-mail: sales@spe-int.com

THIS DRAWING IS THE CONFIDENTIAL COPYRIGHT PROPERTY OF SPE INTERNATIONAL LIMITED		
Drawn	TITLE Hydraulic Tank Components	
D.G.A.		
Checked	Drawing No.	MACHINE
P.A.	BEF-320_HyT-03	BEF 320-3A

This drawing should not be used, copied, shown or handed to a third party without the prior written consent of SPE International Ltd.

BEF320-3A
Operating Manual



Parts List			
ITEM	QTY	SPE PART NUMBER	DESCRIPTION
1	1	3041	Hyd. Pipe, Tank to Pump
2	1	3046	Hyd. Pipe, Tank to Pump
3	1	DW12	1/2" Dowty Washer
4	1	DW 06	1/2" Dowty Washer
5	1	ADAPT 004	1/2" Hyd. Connector
6	1	ADAPT 003	1/2" m-m Hyd. Adaptor
7	1	3035	Tandem Pump
8	1	3033	Load Adapter
9	1	3034	Spined Drive
10	1	3035B	1/2" Port Connetor c/w O-Ring
11	1	3035C	1/2" Port Connector c/w O-Ring
12	2	3035A	1/2" Port Connector c/w O-Ring
13	2	ADAPT 002	1/2" m-m Hyd. Adaptor
14	2	DW 06	1/2" Dowty Washer
15	1	3030	Driven Pulley
16	1	3029	Taper Lock Bush [1610 - 22mm]
17	1	3033A	6x39 Parallel Key

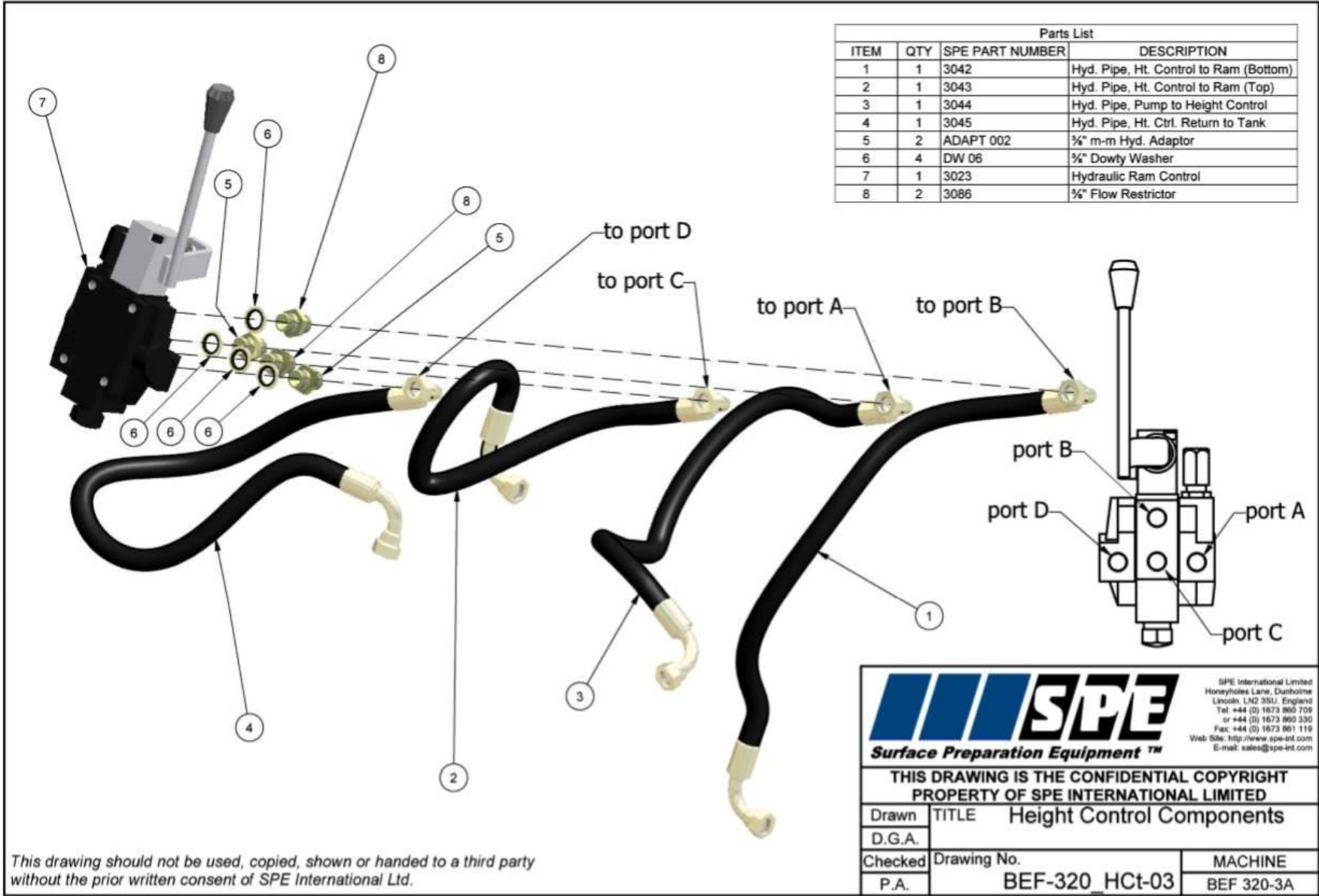
This drawing should not be used, copied, shown or handed to a third party without the prior written consent of SPE International Ltd.

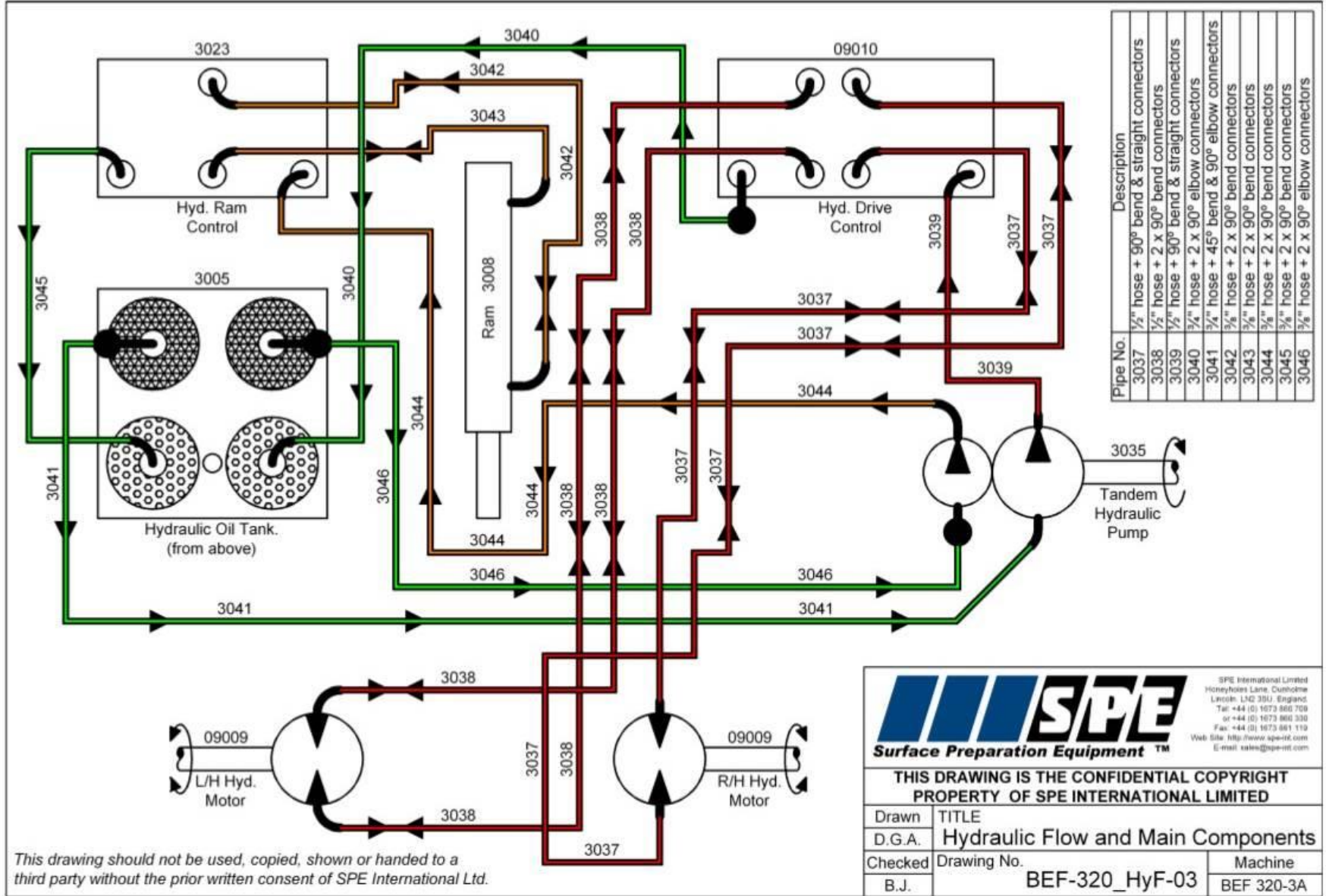
SPE International Limited
Honeyholes Lane, Dartmouth
Lincoln LN2 3SU, England
Tel: +44 (0) 1673 860 709
or +44 (0) 1673 860 330
Fax: +44 (0) 1673 861 119
Web Site: <http://www.spe-int.com>
E-mail: sales@spe-int.com

THIS DRAWING IS THE CONFIDENTIAL COPYRIGHT
PROPERTY OF SPE INTERNATIONAL LIMITED

Drawn	TITLE Hydraulic Drive Components	
D.G.A.		
Checked	Drawing No.	MACHINE
P.A.	BEF-320_HDr-03	BEF 320-3A

BEF320-3A
Operating Manual





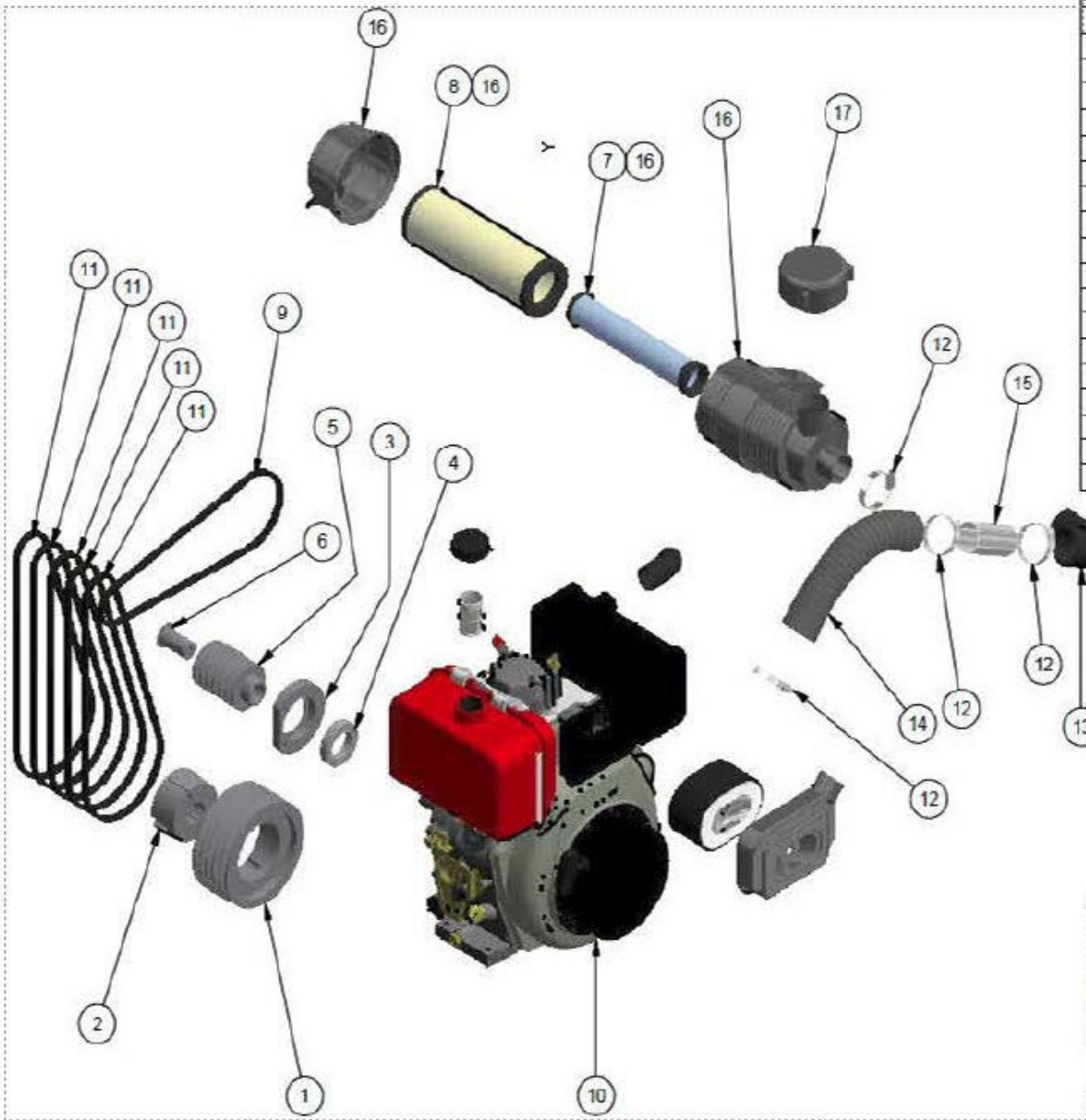
Pipe No.	Description
3037	1/2" hose + 90° bend & straight connectors
3038	1/2" hose + 2 x 90° bend connectors
3039	3/4" hose + 90° bend & straight connectors
3040	3/4" hose + 2 x 90° elbow connectors
3041	3/4" hose + 45° bend & 90° elbow connectors
3042	3/8" hose + 2 x 90° bend connectors
3043	3/8" hose + 2 x 90° bend connectors
3044	3/8" hose + 2 x 90° bend connectors
3045	3/8" hose + 2 x 90° bend connectors
3046	3/8" hose + 2 x 90° elbow connectors

SPE International Limited
Honeyholes Lane, Custhorne
Lincoln LN2 3BU, England
Tel: +44 (0) 1673 860 708
or +44 (0) 1673 860 330
Fax: +44 (0) 1673 861 119
Web Site: <http://www.spe-int.com>
E-mail: sales@spe-int.com

THIS DRAWING IS THE CONFIDENTIAL COPYRIGHT PROPERTY OF SPE INTERNATIONAL LIMITED

Drawn	TITLE	
D.G.A.	Hydraulic Flow and Main Components	
Checked	Drawing No.	Machine
B.J.	BEF-320_HyF-03	BEF 320-3A

This drawing should not be used, copied, shown or handed to a third party without the prior written consent of SPE International Ltd.



Parts List			
ITEM	QTY	SPE PART NUMBER	DESCRIPTION
1	1	3047	Pulley
2	1	3048	Taper Lock Bush (3020 - 38mm)
3	1	3089	Bearing Housing
4	1	2136	Rolling Bearing
5	1	3032	Drive Pulley
6	1	3088	Boobin
7	1	3074	Inner Air Filter Element
8	1	3075	Outer Air Filter Element
9	1	3026Y-HP	Drive Belt
10	1	3091	Yanmar Diesel Engine
11	5	3026 Y	Drive Belt (Robins Engine)
11	5	3026	Drive Belt (Yanmar Engine)
12	4	HC-60	Hose Clip
13	1	3077	Air Filter Elbow
14	1	3090	Flex Pipe
15	1	3078	Metal Sleeve
16	1	3073	Remole Air Filter Body c/w Elements
17	1	3072	Turbo Pre-Cleaner



SPE International Limited
 Honeyholes Lane, Duntholme
 Lincoln, LN2 3BU, England
 Tel: +44 (0) 1673 360 705
 or +44 (0) 1673 360 336
 Fax: +44 (0) 1673 361 119
 Web site: www.spe-int.com
 E-mail: sales@spe-int.com

Surface Preparation Equipment™

THIS DRAWING IS THE CONFIDENTIAL COPYRIGHT PROPERTY OF SPE INTERNATIONAL LIMITED

Drawn	TITLE	Engine Components
D.G.A.		
Checked	Drawing No.	MACHINE
P.A.	BEF-320_EnD-03	BEF 320-3A

This drawing should not be used, copied, shown or handed to a third party without the prior written consent of SPE International Ltd.

SPECIFICATION SHEET

Specifications	
Type	Diesel
Part Number	BEF320-3A
Power Output (hp)	10
Voltage	
Cycles	
Cutter head speed (rpm)	650
Starter	Manual
Travel speed mtr/min	0-12
Machine Dimensions (mm)	
Length	1230
Width	590
Height	1220
Weight (kg) c/w cutter drum	319
Working width of cutters (mm)	320
Working distance from wall (mm)	40