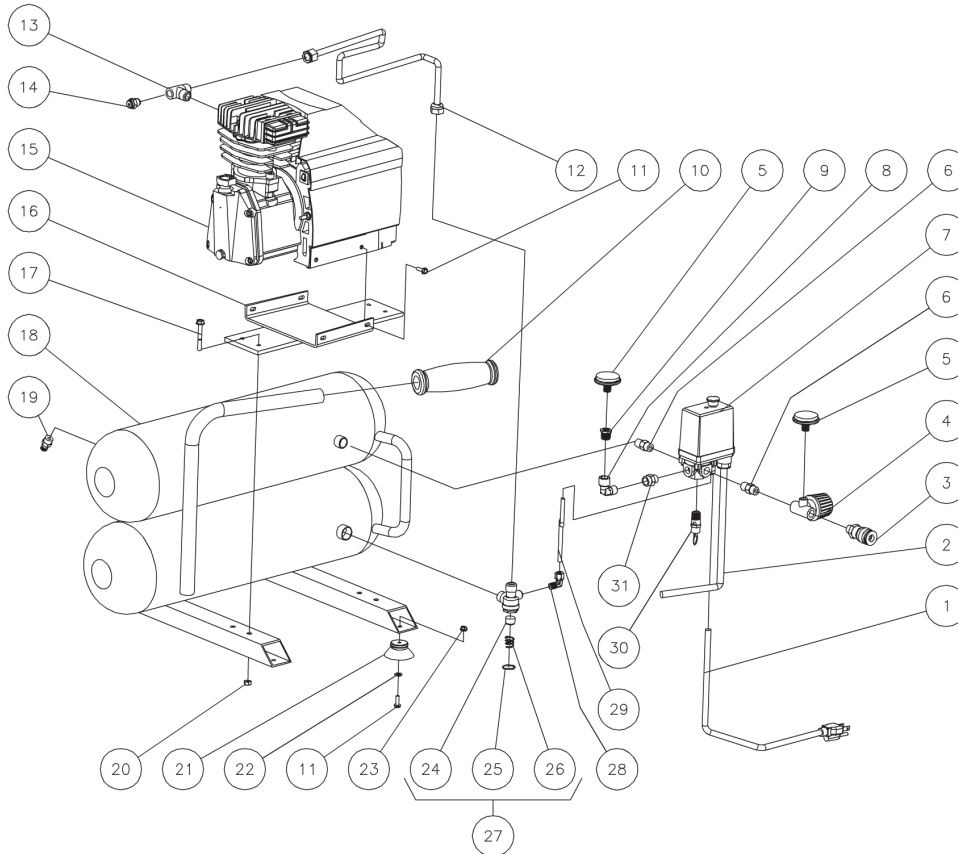




AC1-HE02-05M / AC1-HE02-05M (sn:0-99999999)

TANK ASSEMBLY



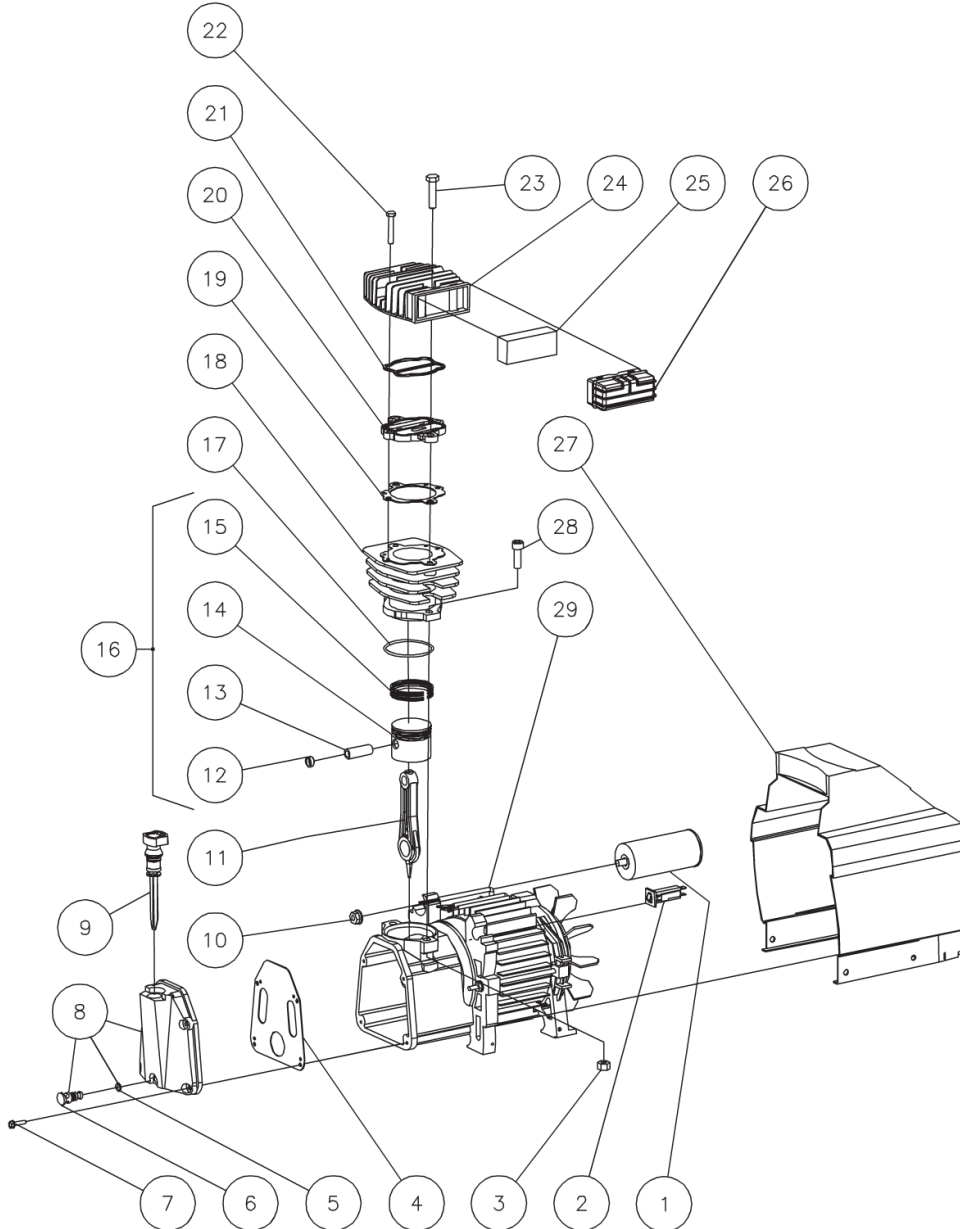
Id	Item #	Description	Quantity	Rev	Comments
1	32-0444	ELECTRICAL CORD	1		
2	N/A	MOTOR CORD	1		
3	17-0043	SOCKET	1		
4	22-0326	REGULATOR	1		
5	22-0257	GAUGE	2		
6	23-0422	NIPPLE	2		
7	22-0339	PRESSURE SWITCH	1		
8	24-0269	ELBOW	1		
9	23-0111	BUSHING	1		
10	7-0151	HANDLE	1		
11	27-8390	SCREW	8		
12	33-0277	COPPER TUBE	1		

Id	Item #	Description	Quantity	Rev	Comments
13	23-0330	TEE FITTING	1		
14	22-0253	EASY START VALVE	1		
15	N/A Sep.	COMPRESSOR/MOTOR ASSEMBLY (SEE EXPLODED DRAWING)	1		
16	5-0181A01	BASE PLATE	1		
17	27-8907	SCREW	4		
18	12-0150A01	AIR TANKS	1		
19	23-0326	DRAIN VALVE	2		
20	30-3005	NUT	4		
21	14-0071	ISOLATOR	4		
22	28-0202	WASHER	4		
23	30-3003	NUT	4		
24	26-0254	CHECK VALVE SEAL	1		
25	25-0523	CHECK VALVE O-RING	1		
26	49-0148	CHECK VALVE SPRING	1		
27	22-0252	CHECK VALVE COMPLETE (INCLUDES 24-26)	1		
28	23-0316	ELBOW	1		
29	33-0377	AIR CONTROL TUBE	1		
30	22-0228	PRESSURE RELIEF VALVE	1		
31	23-0329	ADATPER FITTING	1		



AC1-HE02-05M / AC1-HE02-05M (sn:0-99999999)

COMPRESSOR/MOTOR



Id	Item #	Description	Quantity	Rev	Comments
1	32-0459	CAPACITOR	1		
2	22-0254	MOTOR PROTECTOR	1		
3	30-0058	NUT	2		
4	26-0199	CRANKCASE GASKET	1		

Id	Item #	Description	Quantity	Rev	Comments
5	25-0080	O-RING	1		
6	62-0145	OIL DRAIN	1		
7	27-8901	SCREW	4		
8	46-0759	CRANKCASE COVER ASSEMBLY	1		
9	46-0760	OIL DIPSTICK	1		
10	30-3023	NUT	1		
11	46-0755	CONNECTING ROD	1		
12	46-0756	SNAP RING	2		
13	46-0757	PISTON PIN	1		
14	46-0758	PISTON	1		
15	26-0198	RING SET	1		
16	70-0206	PISTON KIT	1		
17	26-0200	GASKET	1		
18	46-0761	CYLINDER	1		
19	26-0201	GASKET	1		
20	46-0762	VALVE PLATE	1		
21	26-0202	GASKET	1		
22	27-8902	SCREW	2		
23	27-8903	SCREW	2		
24	46-0763	HEAD	1		
25	19-0076	FILTER ELEMENT	1		
26	46-0764	AIR FILTER COVER	1		
27	62-0105	COVER	1		
28	27-8904	SCREW	2		
29	N/A	COMPRESSOR MOTOR	1		